



# PREP4YOU

*Fresh & healthy  
preparations made easy*



**Combined machines**



# PREP<sup>4</sup> YOU

*Fresh, healthy and homemade preparations made easy.  
Vegetable slicer and cutter mixer, all in one*

## COMBINED MACHINES



**Consistent cutting results** and maximized load capacity (1,25 lt.) thanks to the patented lever-pusher\*



**Large output chute** for efficient ejection. Suitable for GN containers **up to 200 mm** high

**Maximum flexibility:**  
*convert from slicer to cutter  
and reverse, in few seconds!*



Bowl and lid scraper for **uniform results** and **continuous working**



**All ingredients are processed evenly and quickly** thanks to the special flow generated inside the bowl

\* Lever pusher applied for Patent EP19165854 and related family

















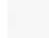


## Wide range of discs

**Slice, dice, grate, shred** with a variety of 22 optional disks and grids in different sizes.  
**Outstanding results** even when dicing difficult vegetables such as **tomatoes** and **onions**



## Save up to 95% of your time without manual preparations

							
	Tomato	Cucumber	Celery root	Onion	Cabbage	Pizza cheese	Carrot
 <b>Disk</b>	10x10x10 mm dicing	2 mm slicing	4 mm shredding	8x8x8 mm dicing	1 mm slicing	7 mm grating	3 mm grating
 <b>Amount</b>	2 kg	2kg	3 kg	5kg	3 kg	5kg	3 kg
 <b>Manual time</b>	10' 37" 	6' 45" 	26' 05" 	37' 58" 	15' 06" 	34' 31" 	37' 04" 
<b>PREP4YOU time</b>	<b>26"</b>	<b>1' 19"</b>	<b>1' 27"</b>	<b>1' 39"</b>	<b>2' 34"</b>	<b>2' 45"</b>	<b>3' 37"</b>

# PREP4YOU

COMBINED MACHINES

*Fresh, healthy and homemade preparations made easy.  
Vegetable slicer and cutter mixer, all in one*



Moon hopper 1,25 lt capacity



Small hopper  
Ø 55mm



Extra small hopper  
Ø 25mm



**100% dishwasher safe for best hygiene.**  
All parts in contact with food are easy to remove for fast cleaning

**Scan the QR code on appliance backside** to access user manuals, videos and other support materials



Made in France, where we have over 75 years of experience designing and producing high quality food preparation equipment.

All parts in contact with food are **BPA free** for best food contact safety

# Your best choice for chopping, mixing and emulsifying



**Smooth blade rotor**  
available as optional,  
for clean cuts (for  
example meat tartare)  
and for delicate items  
like fresh herbs



**Micro-toothed blade rotor** (included as standard) for chopping, grinding, mixing and emulsifying



**2.6 lt bowl**  
Transparent  
copolyester



**2.6 lt bowl**  
AISI304  
stainless steel



**3.6 lt bowl**  
AISI304  
stainless steel

## Discover the various preparations you can do with **PREP 4 YOU**



# Do you know how flexible your PREP 4 YOU is?

Vegetable slicer and cutter mixer, small and does it all!

**Slice, dice, grate, chop, mix, grind and emulsify** quickly and easily



*Health care facilities*



*Restaurants*



*Kindergarden & schools*



*Gastronomy / Take away*



**Speed up your preparations**



Obtain **uniform results consistently**



**Optimize** on food quality and costs using **fresh products**



**Chop** herbs and mirepoix for tasty recipes



Prepare extra smooth **texture modified food**



Make your **salads fresh** and **appetizing** everyday



Mince meat, fish and vegetables for **tasty fillings** in record time



Perfectly cut **homemade fries**



**Give a special twist** to your **sandwiches** with crunchy salad, juicy tomatoes and tasty onions

# Choose the right PREP4YOU combined machine

## Vegetable slicer / Cutter mixer

Available in two versions:

**Single speed** with on/pulse/off function for simple operations

**Variable speed** for maximum flexibility:

- **5 levels vegetable slicer** adapting speed for high quality cuts
- **9 levels cutter mixer** for extra smooth results and emulsifying

Durable and reliable **industrial induction motor** for long life and silent operations. Asynchronous, direct drive motor, for extra power without need for maintenance



### Combined model with 2,6 lt bowl

Speed	Phases	Power	rpm	Net weight
1 speed	1 ph	500 W	1500	15,8 kg*
Variable	1 ph	750W	500-3600	16,9 kg*

External dimensions (wxdxh): 348x328x527mm

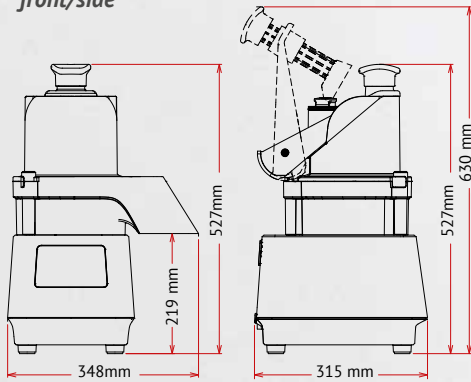
\* stainless steel bowl

### Combined model with 3,6 lt bowl

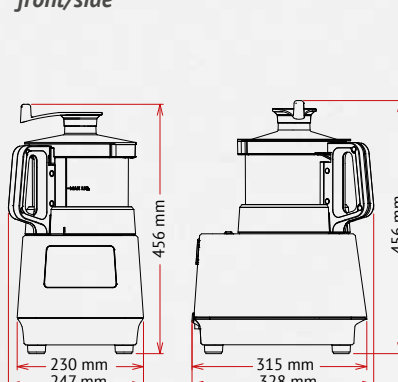
Speed	Phases	Power	rpm	Net weight
1 speed	1 ph	500 W	1500	16.1 kg*
Variable	1 ph	750W	500-3600	17.2 kg*

External dimensions (wxdxh): 348x334x527mm

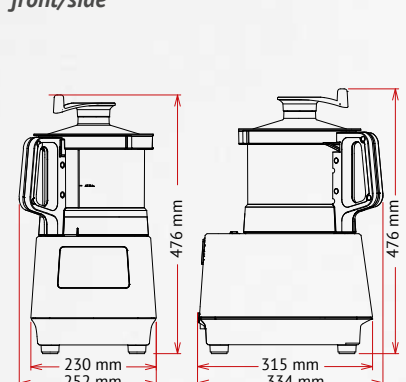
**Vegetable Slicer**  
front/side



**Cutter Mixer 2,6 lt bowl**  
front/side



**Cutter Mixer 3,6 lt bowl**  
front/side



**DITO SAMA**

ETABLISSEMENT AUBUSSON

Z.I du Mont - 23200 AUBUSSON – France

Tel: +33 (0)5 55 83 23 23 - Fax: +33 (0)5 55 83 23 40

See our range online at [www.ditosama.com](http://www.ditosama.com)



*Get inspired by  
our video gallery*

# PREP4YOU

VEGETABLE SLICER | CUTTER MIXER | COMBINED MACHINES

