



PREP4YOU COMBINED MACHINES

YOUR *fresh*
EXPERIENCE





COMBINED MACHINES

Vegetable slicer and cutter mixer, all in one.

The **PREP4YOU** is designed to revolutionize your kitchen experience, offering not only convenience but also significant time savings. It can reduce your prep time by up to 95%, compared to the laborious task of manual preparation. Imagine the hours saved in the kitchen, giving you more time to focus on what truly matters. With its efficient design and precision slicing capabilities, the PREP4YOU vegetable slicer makes culinary tasks a breeze.

- **Speed up** your preparation tasks, including **slicing, dicing,** and **grating.**
- Optimize **food quality** and **reduce costs** by using fresh ingredients.
- **Chop** herbs and mirepoix for flavorful recipes.
- **Grate your own cheese,** from soft mozzarella to hard parmesan.
- Prepare **fresh, appetizing salads** every day.
- **Mince** meat, fish, and vegetables for delicious fillings in record time.
- Perfectly cut **homemade fries** with ease.
- **Give** your sandwiches **a special twist** with crunchy lettuce, juicy tomatoes, and tasty onions.

PREP4YOU

**Maximum flexibility:
convert from
slicer to cutter
and back again,
in few seconds!**



Consistent cutting results thanks to the patented lever-pusher*



Large output chute for efficient ejection. Suitable for GN containers **up to 200 mm high**



Maximised loading capacity up to **1.25 lt**



Full process control thanks to the transparent hopper



100% dishwasher safe for best hygiene. All parts in contact with food are easy to remove for fast cleaning



Intuitive control panel with easy to clean, flat and soft-touch buttons



Scan the QR code on appliance backside to access user manuals, videos and other support materials

Made in France, where we have 80 years of experience in designing and producing high-quality food preparation equipment.

All parts that come into contact with food are **BPA-free**, ensuring the highest standards of food safety.



Wide range of discs

Slice, dice, grate, shred with a variety of 22 optional disks and grids in different sizes. Achieve outstanding results, even when dicing difficult vegetables like tomatoes and onions.



Save up to 95% of your time by avoiding manual preparations



Tomato Cucumber Celery root Onion Cabbage Pizza cheese Carrot

Disk	10x10x10 mm dicing	2 mm slicing	4 mm shredding	8x8x8 mm dicing	1 mm slicing	7 mm grating	3 mm grating
Amount	2 kg	2kg	3 kg	5kg	3 kg	5kg	3 kg
Manual time	10' 37"	6' 45"	26' 05"	37' 58"	15' 06"	34' 31"	37' 04"
PREP4YOU time	26"	1' 19"	1' 27"	1' 39"	2' 34"	2' 45"	3' 37"

PREP4YOU

Blend, chop, create in one swift move!



Bowl and lid scraper for **uniform results** and **continuous working**



All ingredients are processed evenly and quickly thanks to the special flow generated inside the bowl



Time saving: lid with funnel shaped hole to add ingredients during use



100% dishwasher safe for best hygiene. All parts in contact with food are easy to remove for fast cleaning



Full control thanks to the **transparent lid**



Intuitive control panel with easy to clean, flat and soft-touch buttons



Scan the QR code on appliance backside to access user manuals, videos and other support materials

Made in France, where we have 80 years of experience in designing and producing high-quality food preparation equipment.

All parts that come into contact with food are **BPA-free**, ensuring the highest standards of food safety.



Make your choice

CHOOSE YOUR BOWL



3.6 lt bowl
AISI304 stainless steel

Single speed
Variable speed



2.6 lt bowl
Transparent copolyester
or AISI304 stainless
steel

Single speed
Variable speed

AND YOUR BLADE TYPE

Micro-toothed blade rotor (included as standard) for chopping, grinding, mixing and emulsifying



Smooth blade rotor available as optional, for clean cuts (for example meat tartare) and for delicate items like fresh herbs

Tailored to your needs



Health care facilities



Restaurants



Kindergarden
& schools



Gastronomy
Take away

Choose the right **PREP4YOU** Vegetable slicer / Cutter mixer

Available in two versions:

- **Single speed** with on/pulse/off function for high productivity for simple operations
- **Variable speed** with **5 levels** for maximum flexibility and high quality cuts, adapting the speed to the ingredient type and consistency.

Durable and reliable, the **industrial induction motor** ensures long life and silent operations. Featuring an asynchronous, direct drive motor, it provides extra power without the need for maintenance.



Compact, with a small footprint, easy to move around, and store away. Perfect even for the smallest kitchen spaces!

COMBINED MODEL WITH 2,6 LT BOWL

Speed	Phases	Power	rpm	Net weight
1 speed	1 ph	500 W	1500	15,8 kg*
Variable	1 ph	750W	500-3600	16.9 kg*

External dimensions (WxDxH): 348x328x527mm

* stainless steel bowl

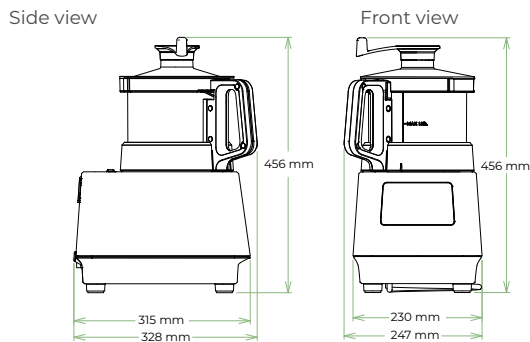
COMBINED MODEL WITH 3,6 LT BOWL

Speed	Phases	Power	rpm	Net weight
1 speed	1 ph	500 W	1500	16.1 kg*
Variable	1 ph	750W	500-3600	17.2 kg*

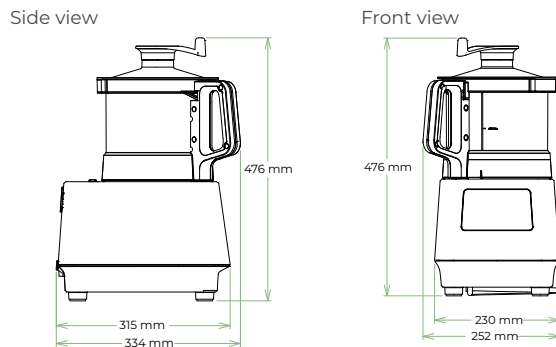
External dimensions (WxDxH): 348x334x527mm

* stainless steel bowl

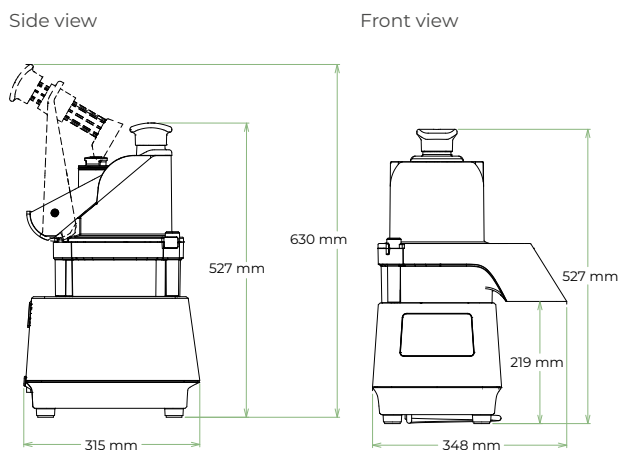
CUTTER MIXER MODE 2,6 LT BOWL



CUTTER MIXER MODE 3,6 LT BOWL



VEGETABLE SLICER MODE





Etablissement Aubusson
Z.I. Du Mont - 23200 Aubusson
France

+33 (0)5 55 83 23 23 ^{Tel}
+33 (0)5 55 83 23 40 ^{Fax}



Discover the complete range at
ditosama.com



Follow **dito_sama_official**

Part of  **Electrolux
Professional
Group**