

# Washing machines with 53 litre drum volume

---

## Installation instruction

### Contents

Installation .....	1
Mountings .....	2
Water supply .....	4
Drain .....	5
Electrical installation .....	6
Function checks .....	8

The manufacturer reserves the right to make changes in design and materials specifications.



### Safety



**This machine can only be used with water. Never use dry cleaning agents.**

**Do not allow children to operate the machine.**

**Do not hose down or spray the machine with water.**

**All mechanical and electrical installation must be carried out by qualified personnel.**

**Do not under any circumstances attempt to bypass the door locking device.**

**Should the machine malfunction, please report the fault as soon as possible to the technician responsible for the machine. This is important for your own safety and the safety of others.**

## Installation

Leave the machine on the pallet on which it was delivered until the installation site has been prepared to receive it.

## Siting

Install the machine close to a floor drain or open waste water channel.

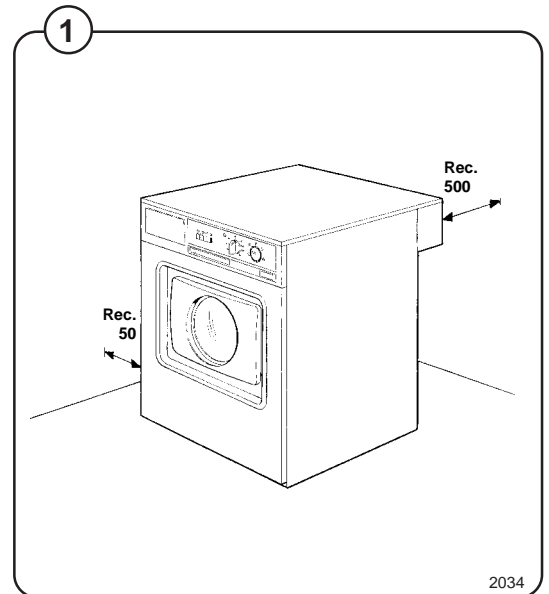
The following clearances are recommended for easier installation and servicing:

Fig.

1

- at least 500 mm between the machine and the wall behind it.
- at least 50 mm on each side of the machine, whether it is next to a wall or to other machines.
- If more than one machine is mounted on steel frames, the frames shall be bolted to each other.

A clearance of 70 mm may be required between the machine and the 130-litre tumble dryer depending on which way the dryer's door opens.



## Mountings

In transit the machine's drum is locked in place by three locking devices between chassis and drum.

Instructions for installing machine and removing transit locking devices, step by step:

- Remove the packaging.

Fig.

2

- If there is no power supply to the machine, the door can be opened by inserting a screwdriver into the small hole on the left of the door.

This method can be used to open the door in an emergency or during a power cut.

- Remove the components shipped inside the drum.

Fig.

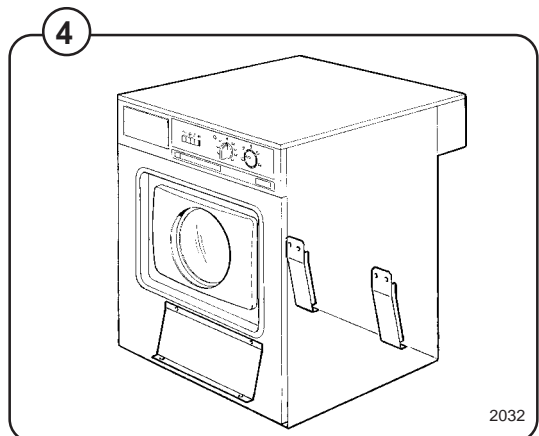
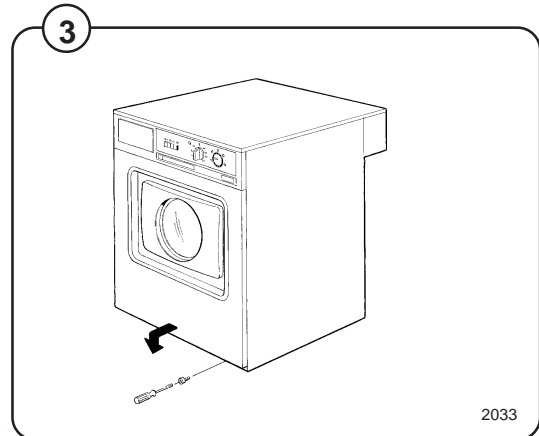
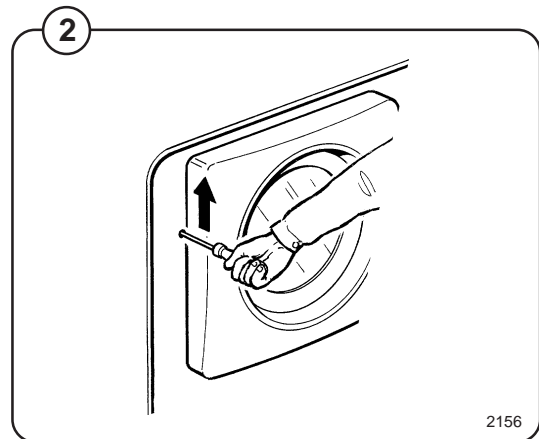
3

- Remove the front panel by undoing the two screws on its bottom edge.
- Remove the rear panel by undoing the screws.

Fig.

4

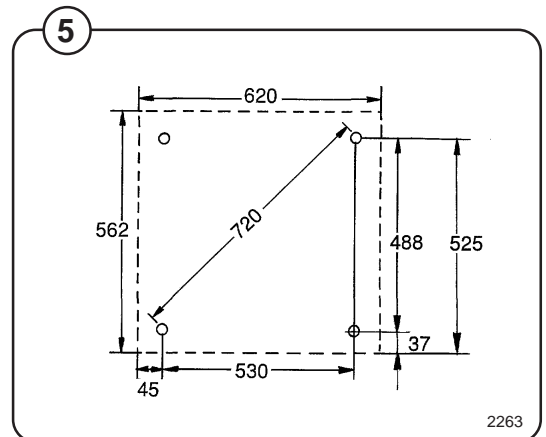
- Remove the three transit locking devices: one at the front, two at the rear.



## To install foot-trays in floor or base:

- Fig. 5
- Mark the sites for the foot-trays on the floor as illustrated.
  - Drill four holes 5.5 mm in diameter and 55 mm deep.

- Fig. 6
- Countersink the holes so that the foot-trays will be flush with the floor.
  - Insert the four red plugs into the holes and secure the foot-trays to the floor with the four countersunk screws.

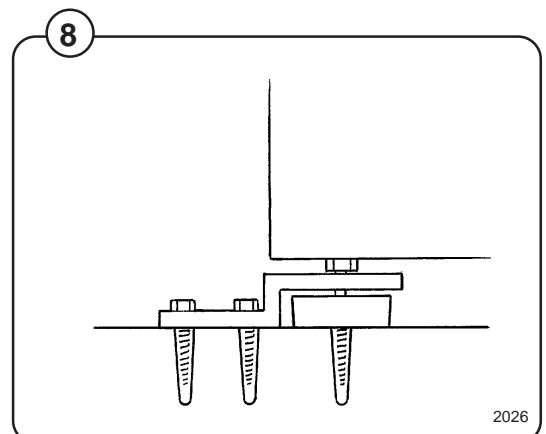
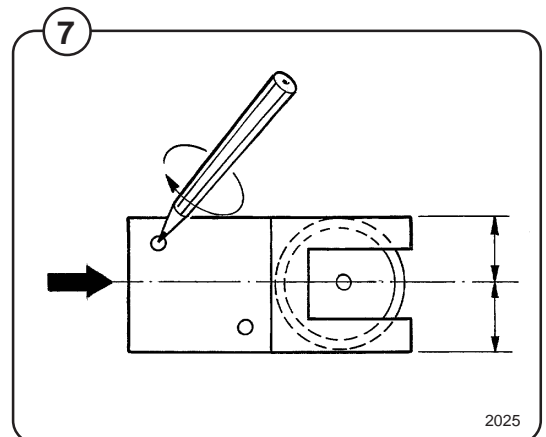
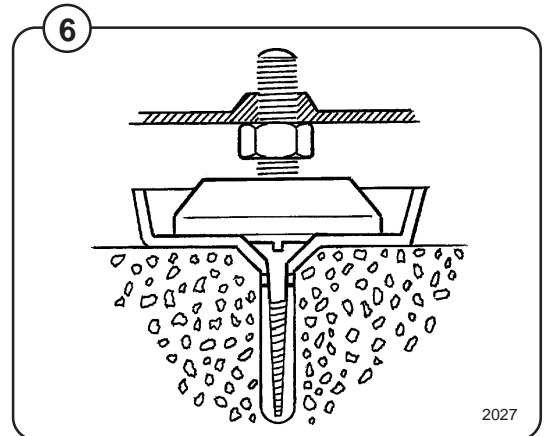




## To install anti-tipping bars:

- Screw the machine's two rear rubber feet downwards to leave at least 3 mm clearance between anti-tipping bar and base of machine.
- Put machine in place with its feet in the foot-trays.

- Fig. 7
- Position anti-tipping bars over the rear feet of the machine.
  - Mark position of holes to be drilled.
  - Remove anti-tipping bars and drill holes 10 mm in diameter and at least 55 mm deep.

- Fig. 8
- Insert the four plugs and secure the anti-tipping bars with screws.
  - Adjust the feet so that the machine is stable and level. Lock the feet with the lock nuts once the level is correct.



**It is very important that the machine should be properly levelled. The level must be correct from left to right as well as from front to back.**

## Water supply

Each water supply line to the machine should be fitted with a manual shut-off valve and debris filter to facilitate servicing. Check the local regulations to determine whether non-return valves are required.

Connection hoses should be of the quality required according to regulations in the country of use.

Water pressures:

minimum: 60 kPa (0.5 kp/cm<sup>2</sup>)

maximum: 0.5 MPa (5 kp/cm<sup>2</sup>)

recommended: 0.2-0.5 MPa (2-5 kp/cm<sup>2</sup>)

Hoses and pipes should be flushed through before being connected to the machine. Make sure the hoses have no sharp bends or angles.

When connecting the hose or hoses to the machine, the plastic connector which comes with each hose supplied should be tightened by hand.

The machine can have one or two supply hoses, DN 20 (R 3/4").

Fig. Machine with cold water intake only.

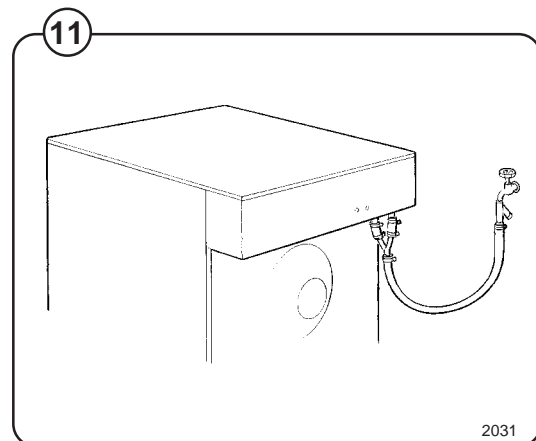
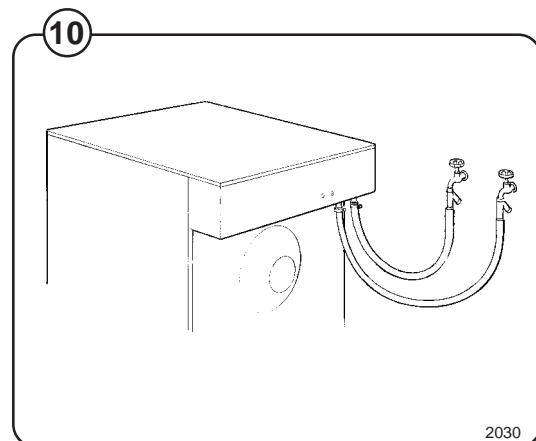
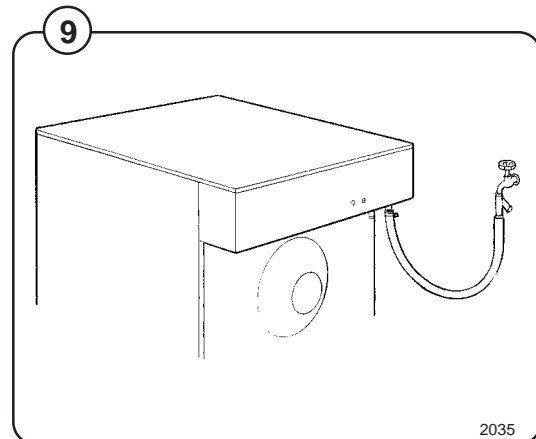
9

Fig. Machine with hot and cold water intake.

10

Fig. Machine with hot and cold water intake, but plumbed for cold only because hot not available. Both valves must be connected even if there is only one water supply present.

11



## Drain

### Direct discharge

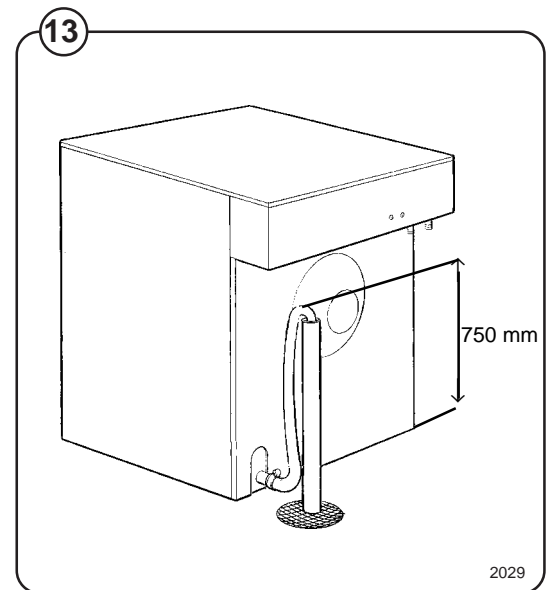
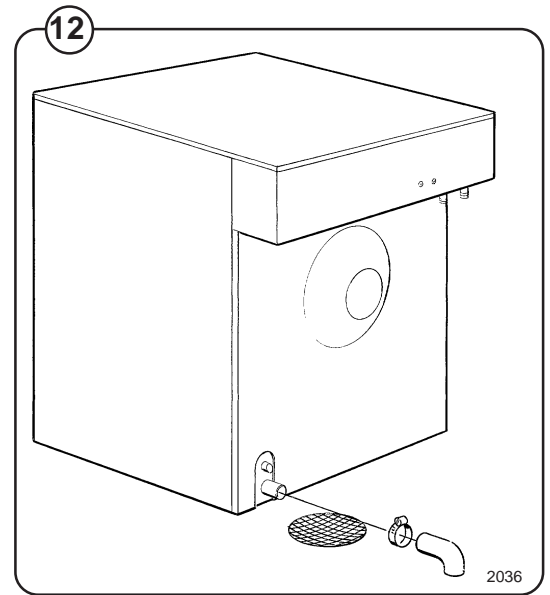
**Fig.** Attach the drain hose to the machine's drain outlet and install so it empties into the floor drain or waste water channel.

12

### Pump drain

**Fig.** Position the highest part of the drain hose 750 mm above the lowest part of the machine.  
Make sure that there are no kinks in the hose.

13



## Electrical installation



**Electrical installation must be carried out by an authorised electrician.**

- Install a multi-pole switch for the machine's electrical supply.
- Connect the machine's cable to the switch.
- The machine must be connected to a separate group of fuses.
- Check that the earth has been connected in the correct way.

Fig. Fuse and cable ratings are given in the table.

14 For the rating of the supply cable, check the local regulations.

14

Heating type	Voltage type	Total rating kW	Fuse A	Cable
EI. 4.4 kW	400V 3N ~ 50 Hz	4.9	10	5x1.5
EI. 3.0 kW	380V 3 ~ T 50/60 Hz	3.5	10	4x1.5
EI. 4.0 kW	440V 3 ~ T 50/60 Hz	4.5	10	4x1.5
EI. 4.4 kW	208-240V 1 ~ 50/60 Hz	4.9	25	3x6
EI. 2.2 kW	208-240V 1 ~ 50/60 Hz	2.7	16	3x2.5
EI. 4.4 kW	230V 3 ~ 50/60 Hz	4.9	20	4x4
Non heated	208-2240V 1 ~ 50/60 Hz	0.9	10	3x1.5

## Machine connection options

⚠
⚠

**Switchover or reconnection of the machine may only be performed by qualified, authorised personnel.**

This machine has the connection options which are illustrated in the figures on this page.

The machine cannot be switched from 50 Hz to 60 Hz or vice versa.

⚠
⚠

**Reconnection/switchover of this type cannot be performed on machines fitted with a transformer.**

Switchover or reconnection is performed on the upper half of the terminal block. When moving cables, pay careful attention to their identification markings.

Fig. Connection for 3 ~ N 4.4 kW

15

Fig. Connection for 3 ~ 4.4 kW

16

Fig. Connection for 1 ~ 4.4 kW

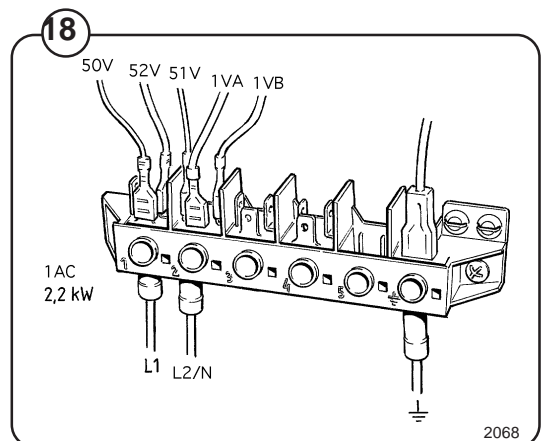
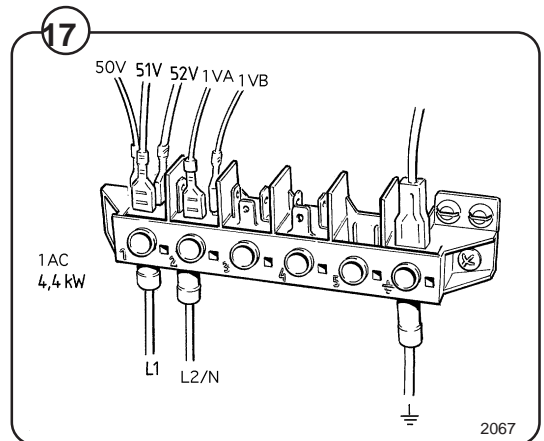
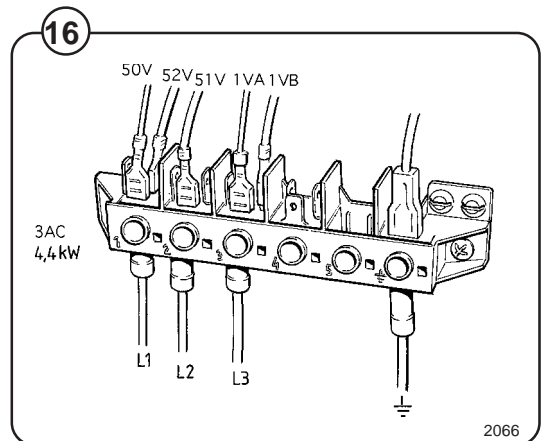
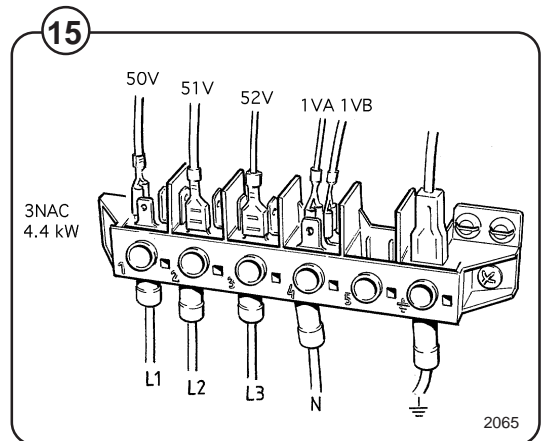
17

Fig. Connection for 3 ~ 2.2 kW

18

⚠
⚠

**When performing switchover or reconnection, check to ensure that cables and fuses correspond as shown in the table on page 6.**





## Function checks

Perform the following checks once the machine is installed:

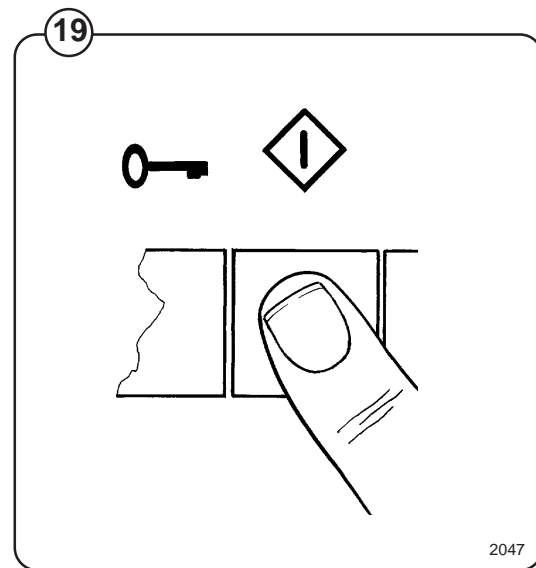
- Open the manual water valves.
- Turn on the power at the external switch.
- Choose a high-temperature program.
- Open the door and check that the drum is empty. Close door. **Note! Door will not open when program selector is in position 0.**

Fig. Press the **START** button.

19

Check:

- that the drum rotates normally and that there are no unusual noises.
- that there are no leaks in water supply/drain connections.
- that water passes through the detergent compartment and fabric conditioner compartments.
- that the door cannot be opened during a program.



2047