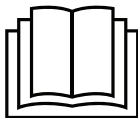


Installation manual Washer Extractor

WE1100P



Electrolux
PROFESSIONAL

Contents

Contents

1	Attention	5
2	Installation Manual	5
3	Safety Precautions	5
3.1	General safety information	6
3.2	Commercial use only	6
3.3	Ergonomics certification	6
3.4	Symbols	7
4	Warranty terms and exclusions	8
5	Technical Data	9
5.1	Drawing	9
5.2	Technical data	11
5.3	Connections	11
6	Installation	12
6.1	Install the bottom cover plate	12
6.2	Transportation Bolts	12
6.3	Removing Transportation Bolts	13
6.4	Recycling instruction for packaging	14
6.5	Activating the prewash program	15
6.6	Coin Mode	15
6.7	Install the Coin Meter (coin operated models)	16
6.8	Install the Blocking Plate (Non-coin models)	16
6.9	Setting	17
6.10	Floor	17
7	Water Connections	18
8	Drain Connection	19
9	Connection of External Liquid Supply Signals	20
10	Electrical Connections	21
11	Function Checks	22
12	Preventive Maintenance	23
12.1	Daily	23
12.2	Every Third Month	23
13	Disposal information	24
13.1	Disposal of appliance at end of life	24
13.2	Disposal of packing	24

The manufacturer reserves the right to make changes to design and component specifications.

1 Attention

Four transportation bolts are installed in the rear of the machine, to protect the suspension and tub assembly from damage during shipment.

Remove all four bolts and plastic tubes through which the bolts pass before operating the machine!!

See instructions later in this manual.

2 Installation Manual



Warning



All operating and maintenance procedures shown in this manual must be followed at the frequency specified for proper operation of your machine.

3 Safety Precautions

- Servicing shall be carried out only by authorized personnel.
- Only authorized spare parts, accessories and consumables shall be used.
- Only use detergent intended for water-wash of textiles. Never use dry cleaning agents.
- The machine shall be connected with new water hoses. Re-used water hoses must not be used.
- The machine's door lock must under no circumstances be bypassed.
- If the machine develops a fault, this must be reported to the person in charge as soon as possible. This is important both for your safety and that of others.
- DO NOT MODIFY THIS APPLIANCE.
- When performing service or replacing parts, the power must be disconnected.
- When the power is disconnected, the operator must see that the machine is disconnected (that the plug is removed and remains removed) from any point to which he has access. If this is not possible, due to the construction or installation of the machine, a disconnection with a locking system in the isolated position shall be provided.
- In accordance with the wiring rules: mount a multi-pole switch prior to the machine to facilitate installation and service operations.
- If different rated voltages or different rated frequencies (separated by a /) are stated at the machine data plate, instructions for adjusting the appliance for operation at the required rated voltage or rated frequency are stated in the installation manual.
- Stationary appliances not fitted with means for disconnection from the supply mains having a contact separation in all poles that provide full disconnection under overvoltage category III, the instructions state that means for disconnection must be incorporated in the fixed wiring in accordance with the wiring rules.
- The openings in the base, shall not be obstructed by a carpet.
- Maximum load volume: 12 kg.
- A-weighted emission sound pressure level at working stations:
 - Wash: <62 dB(A).
 - Extraction: <72 dB(A).
- Maximum inlet water pressure: 800 kPa / 116 psi
- Minimum inlet water pressure: 50 kPa / 8 psi

- Additional requirements for the following countries; AT, BE, BG, HR, CY, CZ, DK, EE, FI, FR, DE, GR, HU, IS, IE, IT, LV, LT, LU, MT, NL, NO, PL, PT, RO, SK, SI, ES, SE, CH, TR, UK:
 - The appliance can be used in public areas.
 - This appliance can be used by children aged from 8 years and above and persons with reduced physical, sensory or mental capabilities or lack of experience and knowledge if they have been given supervision or instruction concerning use of the appliance in a safe way and understand the hazards involved. Children shall not play with the appliance. Cleaning and user maintenance shall not be made by children without supervision.
- Additional requirements for other countries:
 - This appliance is not intended for use by persons (including children) with reduced physical, sensory or mental capabilities, or lack of experience and knowledge, unless they have been given supervision or instruction concerning use of the appliance by a person responsible for their safety. Children should be supervised to ensure that they do not play with the appliance.
 - This appliance is intended to be used in household and similar applications such as: (IEC 60335-2-7) staff kitchen areas in shops, offices and other working environments, farm houses, by clients in hotels, motels and other residential type environments, bed and breakfast type environments, areas for communal use in blocks of flats or in launderettes.

3.1 General safety information

The machine is only intended for water-wash use.

Do not hose down the machine with water.

In order to prevent damage to the electronics (and other parts) that may occur as the result of condensation, the machine should be placed in room temperature for 24 hours before being used for the first time.

3.2 Commercial use only

The machine/machines covered by this manual is/are made for commercial and industrial use only.

3.3 Ergonomics certification

The human body is designed for movement and activity but physical stress injuries as a result of static and repetitive movements or unfavorable working postures may occur.

The ergonomic features of your product, the ones which may influence your physical and cognitive interaction with it, have been assessed and certified.

A product which exhibits ergonomic features, in fact, shall fulfil specific ergonomic requirements, belonging to three different areas: Polytechnic, Biomedical and Psychosocial (usability and satisfaction).

For each of these areas, specific tests with real users have been performed. The product was therefore compliant with the ergonomic acceptability criteria requested by the standards.




In case several machines are managed by the same operator the repetitive movements will increase and as a consequence of this the related biomechanical risk will increase exponentially.

The possible postural risks are the interaction with the door handle in case the machine is not placed on a base.

Follow the below recommendations to avoid, as much as possible, operators acquiring bodily injury.

- Place the machine on a base instead of directly on the floor so that the operator does not need to bend his/her back unnecessarily when loading and unloading.
Minimum suggested height of bases is 300 mm.
- Make sure there are suitable trolleys or baskets for loading, unloading and transportation.
- Organize job rotation in the working place in the case several machines are managed by the same operator.

3.4 Symbols

	Caution
	Caution, high voltage
	Read the instructions before using the machine

4 Warranty terms and exclusions

If the purchase of this product includes warranty coverage, warranty is provided in line with local regulations and subject to the product being installed and used for the purposes as designed, and as described within the appropriate equipment documentation.

Warranty will be applicable where the customer has used only genuine spare parts and has performed maintenance in accordance with Electrolux Professional AB user and maintenance documentation made available in paper or electronic format.

Electrolux Professional AB strongly recommends using Electrolux Professional AB approved cleaning, rinse and descaling agents to obtain optimal results and maintain product efficiency over time.

The Electrolux Professional AB warranty does not cover:

- service trips cost to deliver and pick up the product;
- installation;
- training on how to use/operate;
- replacement (and/or supply) of wear and tear parts unless resulting from defects in materials or workmanship reported within one (1) week from the failure;
- correction of external wiring;
- correction of unauthorized repairs as well as any damages, failures and inefficiencies caused by and/or resulting from:
 - insufficient and/or abnormal capacity of the electrical systems (current/voltage/frequency, including spikes and/or outages);
 - inadequate or interrupted water supply, steam, air, gas (including impurities and/or other that does not comply with the technical requirements for each appliance);
 - plumbing parts, components or consumable cleaning products that are not approved by the manufacturer;
 - customer's negligence, misuse, abuse and/or non-compliance with the use and care instructions detailed within the appropriate equipment documentation;
 - improper or poor: installation, repair, maintenance (including tampering, modifications and repairs carried out by third parties not authorized third parties) and modification of safety systems;
 - Use of non-original components (e.g.: consumables, wear and tear, or spare parts);
 - environment conditions provoking thermal (e.g. overheating/freezing) or chemical (e.g. corrosion/oxidation) stress;
 - foreign objects placed in- or connected to- the product;
 - accidents or force majeure;
 - transportation and handling, including scratches, dents, chips, and/or other damage to the finish of the product, unless such damage results from defects in materials or workmanship and is reported within one (1) week of delivery unless otherwise agreed;
- product with original serial numbers that have been removed, altered or cannot be readily determined;
- replacement of light bulbs, filters or any consumable parts;
- any accessories and software not approved or specified by Electrolux Professional AB.

Warranty does not include scheduled maintenance activities (including the parts required for it) or the supply of cleaning agents unless specifically covered within any local agreement, subject to local terms and conditions.

Check on Electrolux Professional AB website the list of authorized customer care.

5 Technical Data

5.1 Drawing

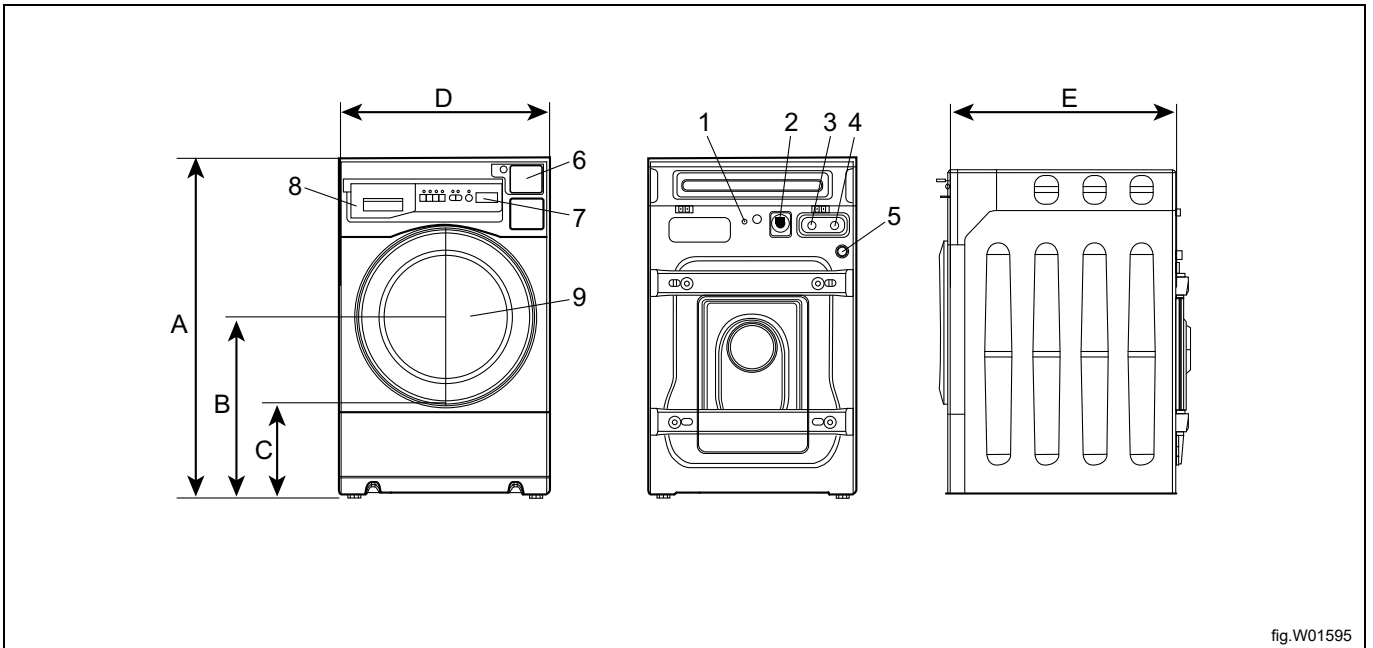


fig.W01595

1	Power line
2	Air vent for safety
3	Cold water
5	Drain
6	Coin meter
7	Control panel
8	Detergent container
9	Door

	A	B	C	D	E
mm	1098	584	310	686	765
inch	43 1/4	23	12 3/16	27	30 1/8

Footprint

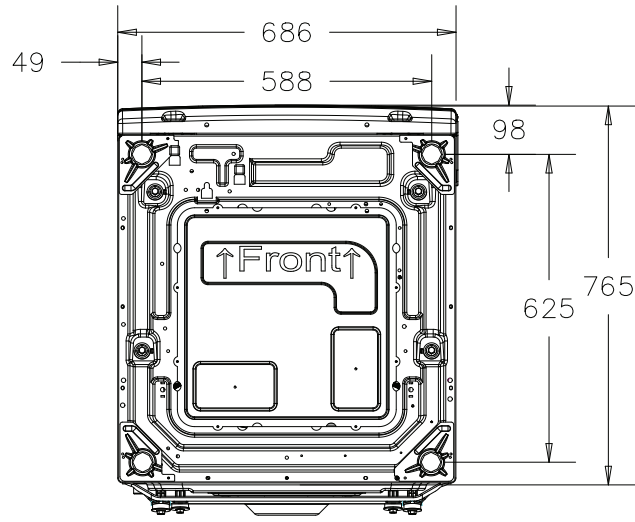


fig.X02474

5.2 Technical data

Weight, net	kg	136
	lbs	300
Drum volume	litres	100
	ft ³	3.5
Drum diameter	mm	556
	inch	21 7/8
Drum speed during wash	rpm	45
Drum speed during extraction	rpm	1050
G-factor, max.		300
Heating: Electricity	kW	2.0
Sound power/pressure level at extraction*	dB(A)	72
Sound power/pressure level at wash*	dB(A)	62

* Sound power levels measured according to ISO 60704.

5.3 Connections

Water valves	DN BSP	20 3/4"
Recommended water pressure	kPa	200–600
Continuous operating pressure	kPa	50–800
Capacity at 300 kPa	l/min	20
Drain valve	∅ outer mm	60
Draining capacity	l/min	25

6 Installation

For safety, two people should install this product.

Leave the machine on the transport pallet until it can be placed in the final, prepared position.

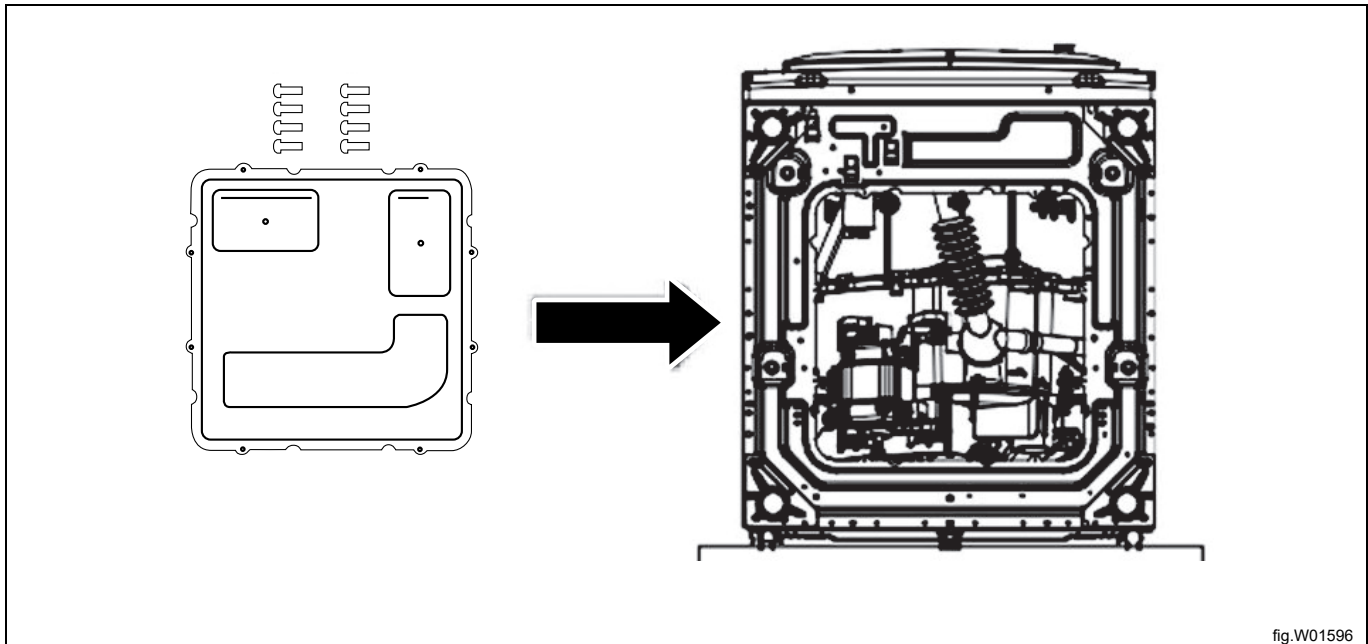
First remove all the packing materials. Upon opening of the package, water drops may be seen in the plastic bag and the drum. This is a normal phenomenon resulting from water tests in the factory.

Note!

1. A bottom cover plate is wrapped in the top of the packing material.
2. Be careful while handling the bottom cover.
3. Remove all anti-scratch film from the washer.

6.1 Install the bottom cover plate

1. Lay the package carton on the ground.
2. Lay the washer slowly down on its back on the package carton.
3. Install the bottom cover on the bottom of the machine using the 8 screws provided in the accessories bag.
4. Lift the washer to the upright position.



6.2 Transportation Bolts

The washer is fitted with transportation bolts to prevent internal damage during transportation.

Transportation bolts must be removed before using the washer.

6.3 Removing Transportation Bolts

1. Unscrew the 4 bolts with a wrench. Remove the lower 2 bolts first, then the upper two. One of bolts retains the power cord of the washer to prevent operating without removing bolts.
2. Remove the bolts and the red plastic sleeves to release the power cord. Keep the 4 bolts and sleeves for future use.

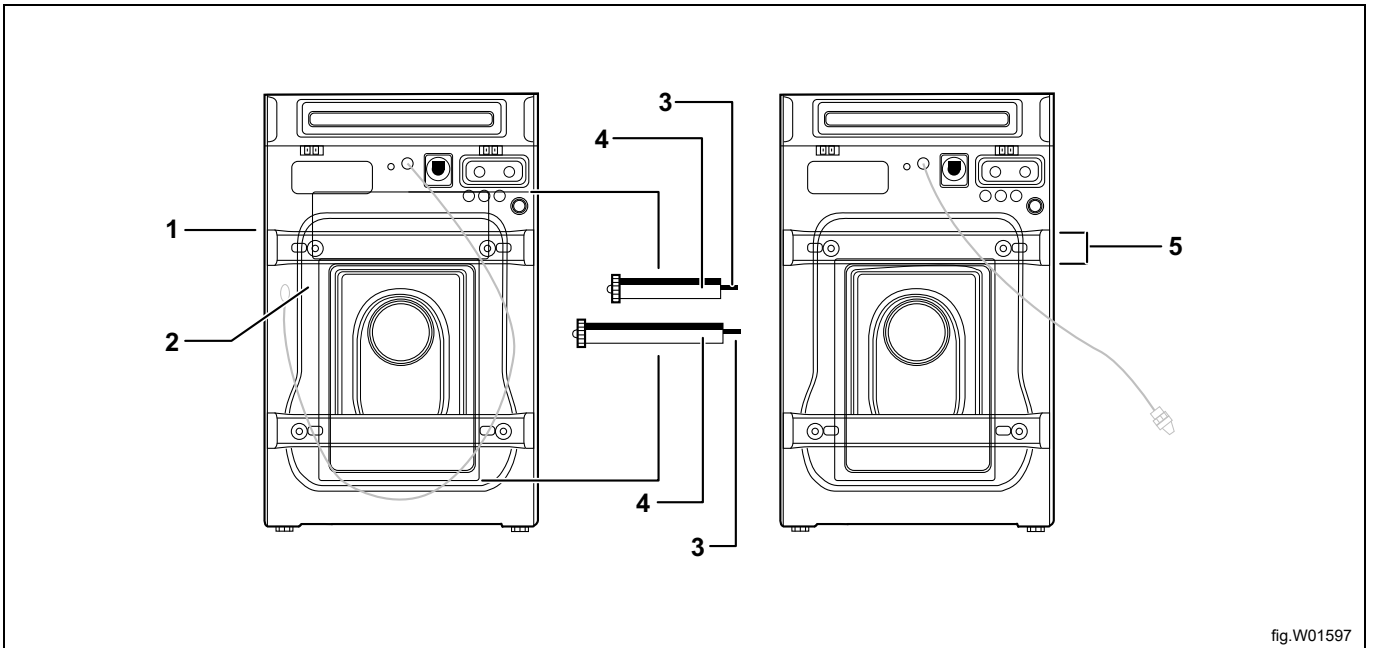
Note!

If transportation bolts and sleeves are not removed, it may cause severe vibration, noise and malfunction, as well as damage to the machine.

Note!

When the washer is transported the transportation bolts and the sleeves must be reinstalled.

3. Close the 4 holes with the caps supplied.



1	Brace
2	Cap
3	Bolt
4	Sleeve
5	Screws

6.4 Recycling instruction for packaging

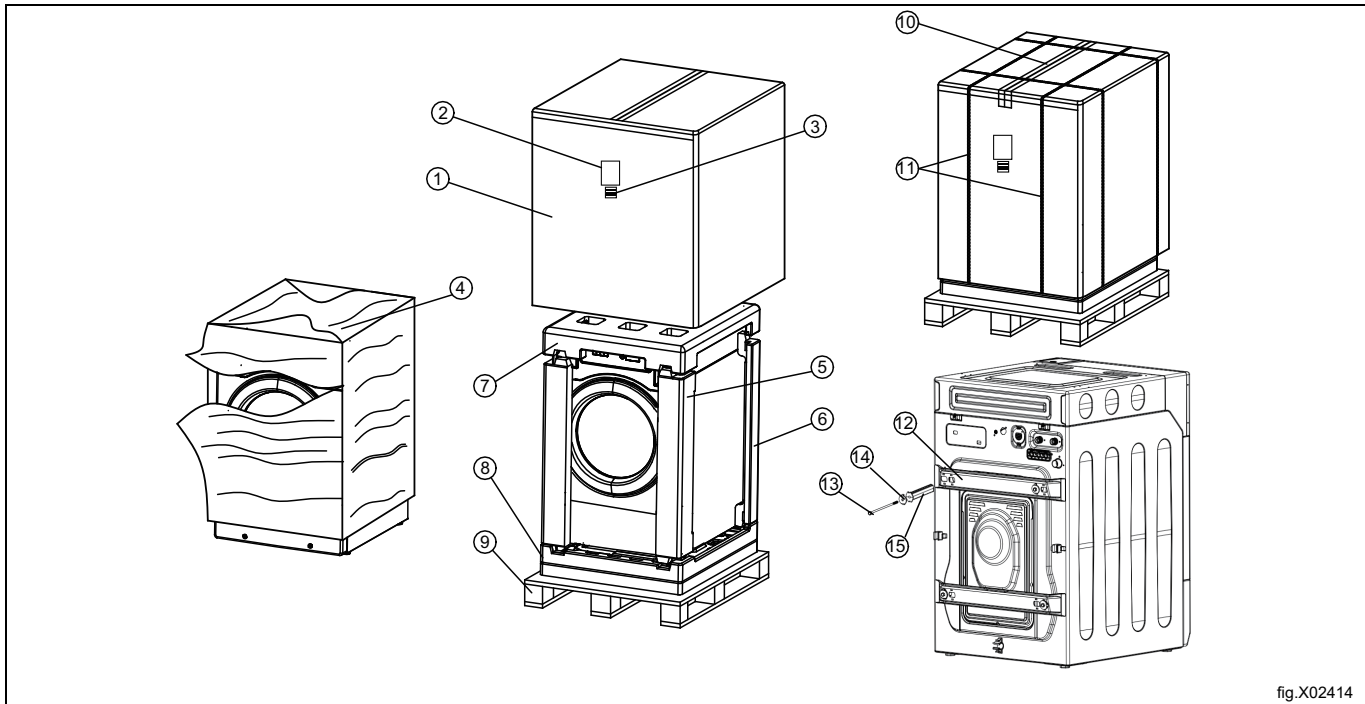


fig.X02414

Fig.	Description	Code	Type
1	Carton box	BC Corrugated	Paper
2	Packaging box sticker	Synthetic paper	Paper
3	Bar code sticker	Synthetic paper	Paper
4	Wrapping film	LDPE	Plastics
5	Front corner protection	EPS	EPS
6	Back corner protection	EPS	EPS
7	Top protection	EPS	EPS
8	Packing bottom	EPS	EPS
9	Pallet	Plywood	Wood
10	PET tape	PET	Plastics
11	Packaging strap	PP 5	Plastics
12	Brace, transport	Steel	Metal
13	Bolt, transport	Steel	Metal
14	Packing bolt gasket	Steel	Metal
15	Packing bolt plastic sleeve	PA6	Plastic

6.5 Activating the prewash program



The prewash program is disabled by default. You need to enable it in service mode.



The opening steps are as follows:

1. Press the service switch inside the money box once, all the lights are flashing.
2. Press The Start button once, Heavy and Extra Rinse flash and the screen shows "SE".
3. Press Heavy and Extra Rinse once, the screen displays 00, and then press Heavy and Extra Rinse as "-" and "+" respectively.
4. Press Extra Rinse until the screen displays 80, and press Start, the screen displays "P2oF" (does not open pre-wash function). Press Heavy or Extra Rinse once, "P2oF" change to "P2oN", and then pre-wash function of COLD program is opened.
5. Press the Start button to exit the prewash function setting switch, and press the service switch once to exit the service mode.

The corresponding service code of the prewashing function is as follows:

- 1.80 Configure the COLD prewash function, by default, "P2oF" (does not open pre-wash function), can set "P2oN" (open pre-wash function)
- 2.81 Configure the WARM prewash function, by default, "P2oF" (does not open pre-wash function), can set "P2oN" (open pre-wash function)
- 3.82 Configure the HOT prewash function, by default, "P2oF" (does not open pre-wash function), can set "P2oN" (open pre-wash function)
- 4.83 Configure the DELICATE prewash function, by default, "P2oF" (does not open pre-wash function), can set "P2oN" (open pre-wash function)

6.6 Coin Mode

The machine is default OPL mode. You can easily change to COIN mode by following steps:

1. Press the service switch, the lights will flash and the display will show "8888".
2. Press the "Cold" button, then press the "Start" button. The display will show "00.00".
3. Then you can set the price through the button (Cold/Warm/Hot/Delicate).
4. After the price setting is done, press the "Start" button to save it.

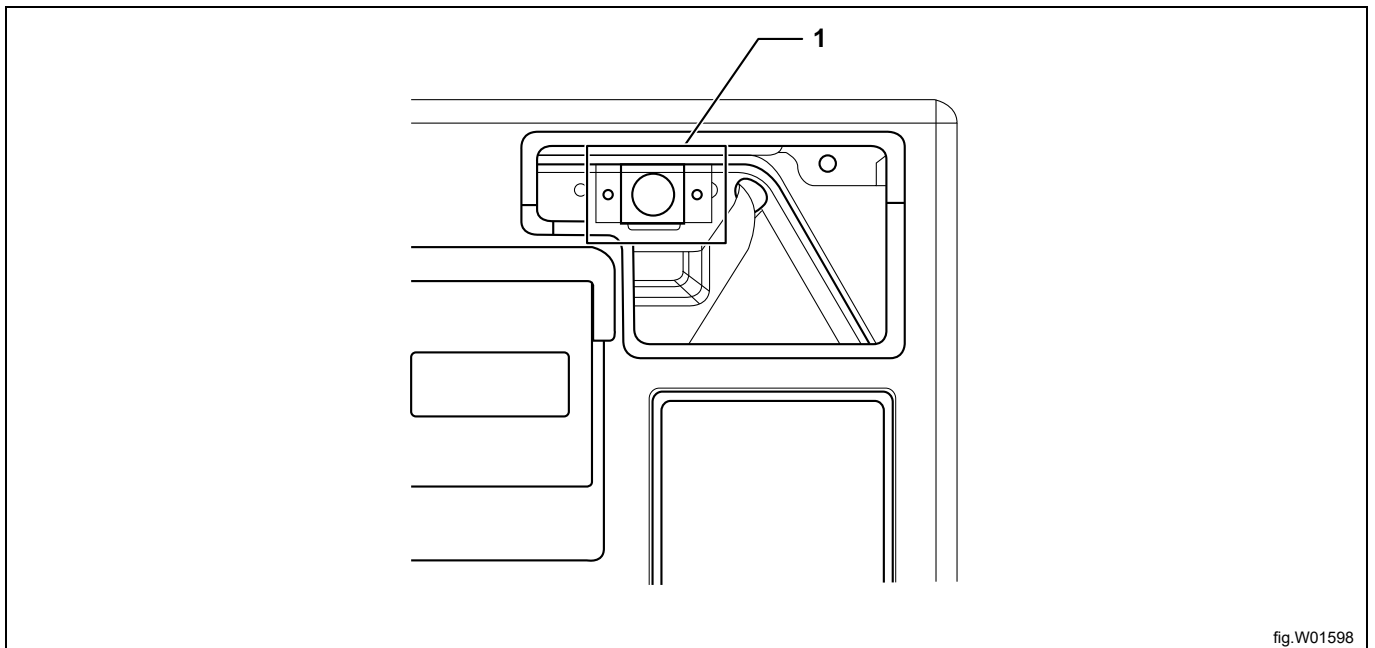


fig.W01598

6.7 Install the Coin Meter (coin operated models)

1. Unlock the coin meter lock plate with the provided key.
2. Partially open the lock plate and slide to the left to remove it from the console.
3. Install the coin meter faceplate into the lock plate and then assemble the coin.
4. Plug the coin meter(s) into COIN (White) harnesses inside the washer. (Detailed wiring methods are described in the service manual).
5. Carefully fix the coin meter harnesses using the cable ties mounted on the bracket behind the coin meter(s). Make sure the harnesses do not obstruct coins dropping into the coin vault.
6. Reinstall the coin meter lock plate.

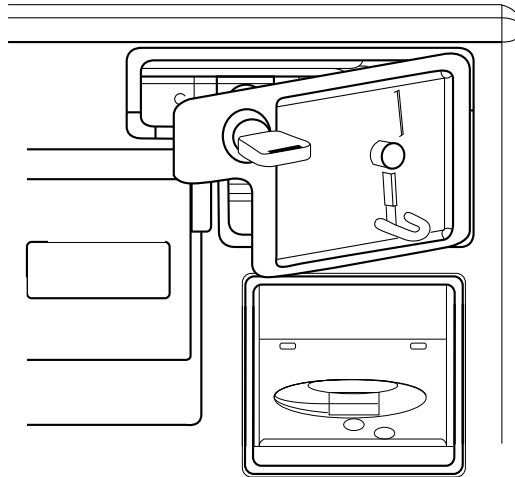


fig.W01599

6.8 Install the Blocking Plate (Non-coin models)

Push the blocking plate into the coin vault until the tabs lock in place.

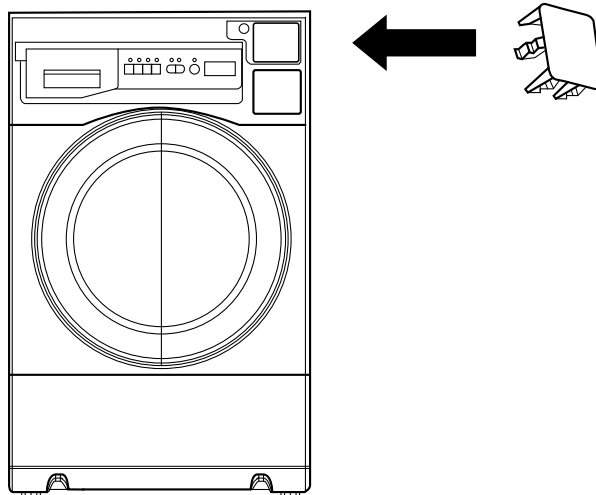
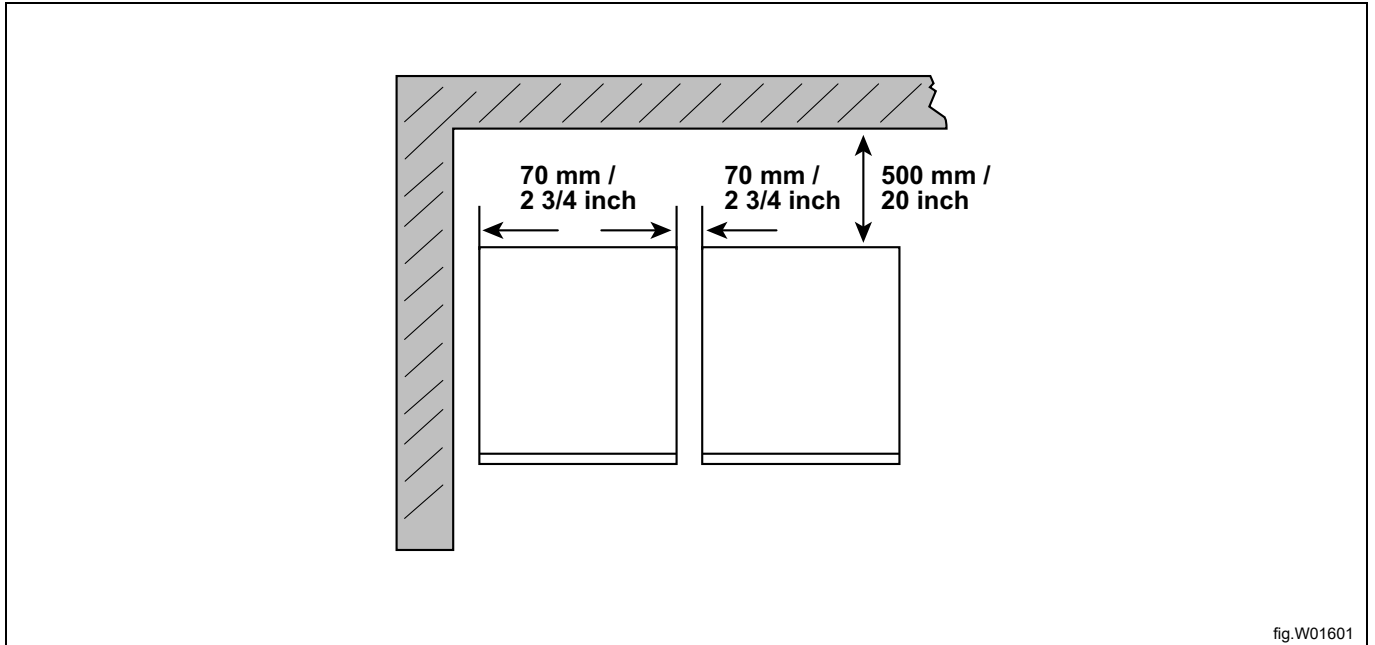


fig.W01600

6.9 Setting

- Please install the machine close to a floor drain or open drain.
- The machine should be well positioned and make sure that there is plenty of room for the users and personnel when maintenance needed. The figure shows minimum distance to a wall and/or other machines.
- At least 20 inches (500 mm) between the machine and the wall behind.
- Minimum 1 inch (25 mm) to next machine if more than one machine is installed in a row.



6.10 Floor

- The floor must be smooth and hard. Do not install the machine on carpet or other soft material.
- The floor must hold the total weight of the machine filled with water and a load. This static weight is 416 pounds (188 kilograms).
- Adjust the levelling legs of the machine, as needed, to ensure that it is level front to back, and side to side, and so that all four feet are in contact with the floor. After leveling the machine, use the enclosed locknut wrench tool to tighten each leg's locking nut against the underside of the washer.

7 Water Connections

Plumbing: This machine is approved for all UK applications as suitable for category 5. The product is listed in the WRAS regulations advisory scheme directory and is suitable for direct connection to mains drinking water. No special plumbing arrangements e.g. break tanks are required.

Water Council approved double check valves should be fitted in between the stopcocks and the water inlet hoses.

All inlet connections to the machine are to be fitted with manual shut-off valves and filters, to facilitate installation and servicing.

Note!

The inlet filter screens are provided inside the machine's connection fittings. Water pipes and hoses should be flushed clean before installation. After installation, hoses should hang in gentle arcs.

The machine is equipped with two water inlet fittings, one for hot water and one for cold water. Those need only be hand tightened when properly assembled.

If hoses are difficult to assemble, or leak after assembly, check that the hoses have been assembled with the proper orientation and have a garden-hose washer in each swivel fitting. Your water heater should supply hot water at a minimum temperature of 120 degrees Fahrenheit (49 degrees Celsius) and a maximum of 170 degrees Fahrenheit (77 degrees Celsius).

The required water pressure is as follows:

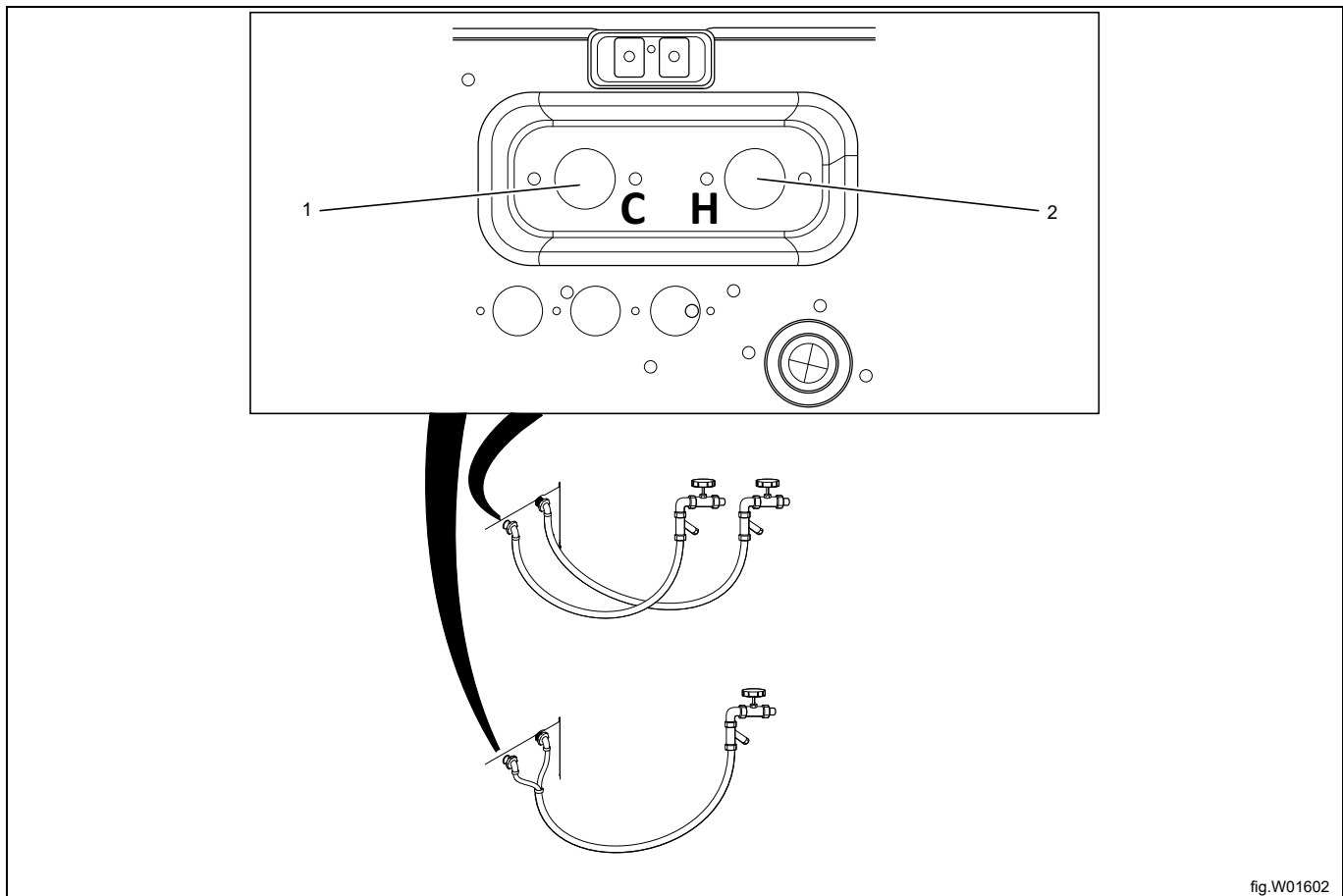
- min: 50 kPa
- max: 800 kPa

recommended: 30-90 PSI (200-600 kPa)

Water Type	Water Connection	
	1	2
Cold and Hot	Cold	Hot

Note!

If there is no hot water port in your environment, it's enough to connect only the cold water inlet with water.

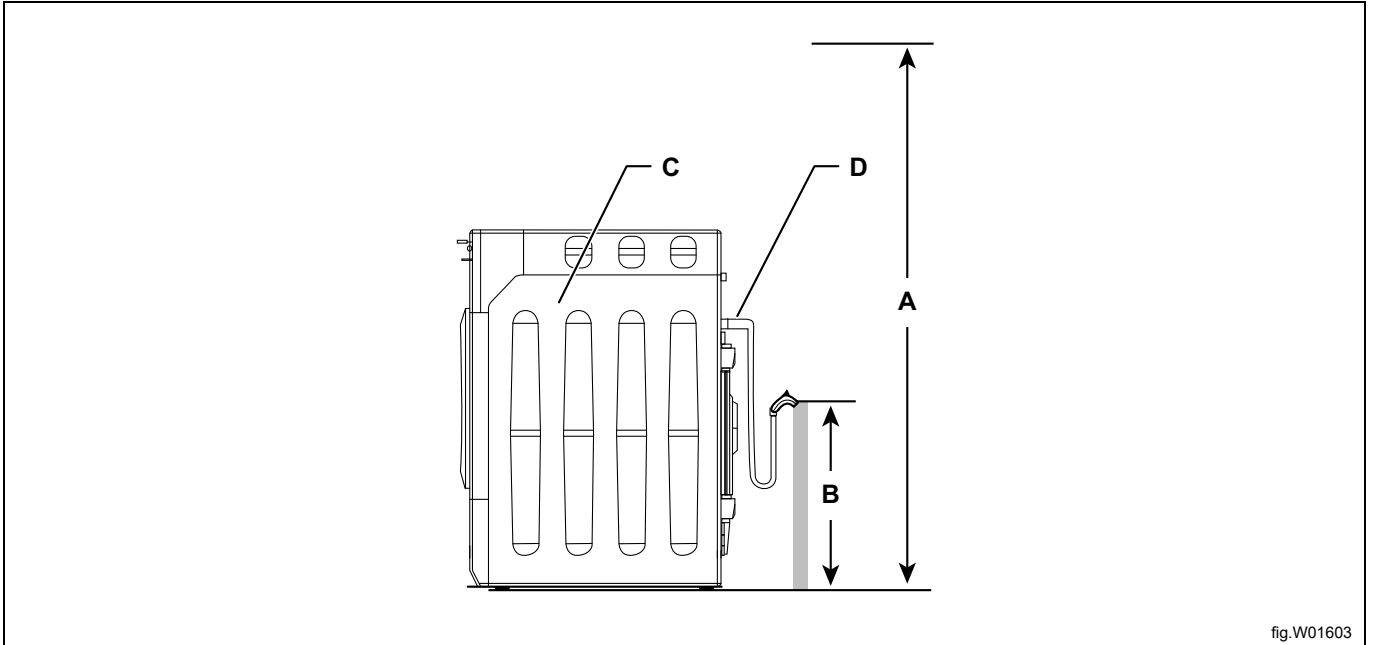


8 Drain Connection

Connect the machine's drain hose to the back of the washer, using the spring clamp provided in the accessories package. Avoid sharp bends in the hose which may prevent proper draining.

You can connect the drain hose to a sewer stand pipe. If you do this, make sure that the outlet hose will not come out of the stand pipe.

You can connect the drain outlet to a sink or basin. If you do this, make sure the outlet hose will not come out of the sink or basin.



A	47.2 inches (120 centimeters) maximum
B	30 inches (76 centimetres) minimum OR placed directly in a drain basin or trough making sure the end of the hose is never submerged.
C	Machine
D	Drain outlet hose



Electrical installation must be carried out by licensed, qualified personnel!
All optional equipment connected must be EMC-approved to EN 61000-6-1 or EN 61000-6-3.

9 Connection of External Liquid Supply Signals

The machine can provide two "trigger signals" for external liquid supply injector pumps. The signals are 220-240V AC, 5A max, and must, therefore, be routed and connected in accordance with applicable codes.

CN5 on the power module at the right-rear corner of the machine, and to your pumps. With signals as follows:

- CN5-1,2: DETERGENT SIGNAL AND BLEACH SIGNAL
- CN5-3,4: SOFTENER SIGNAL

Each trigger signal is activated for 30 seconds at the start of the appropriate segment of a wash program. The connector of the detergent pump and bleach pump needs to be connected to CN5-1, 2, their terminals cannot be separated and must be integrated. When washing, the signals from the detergent pump and the bleach pump are activated at the same time. The connector of the softener pump needs to be connected to CN5-3, 4.

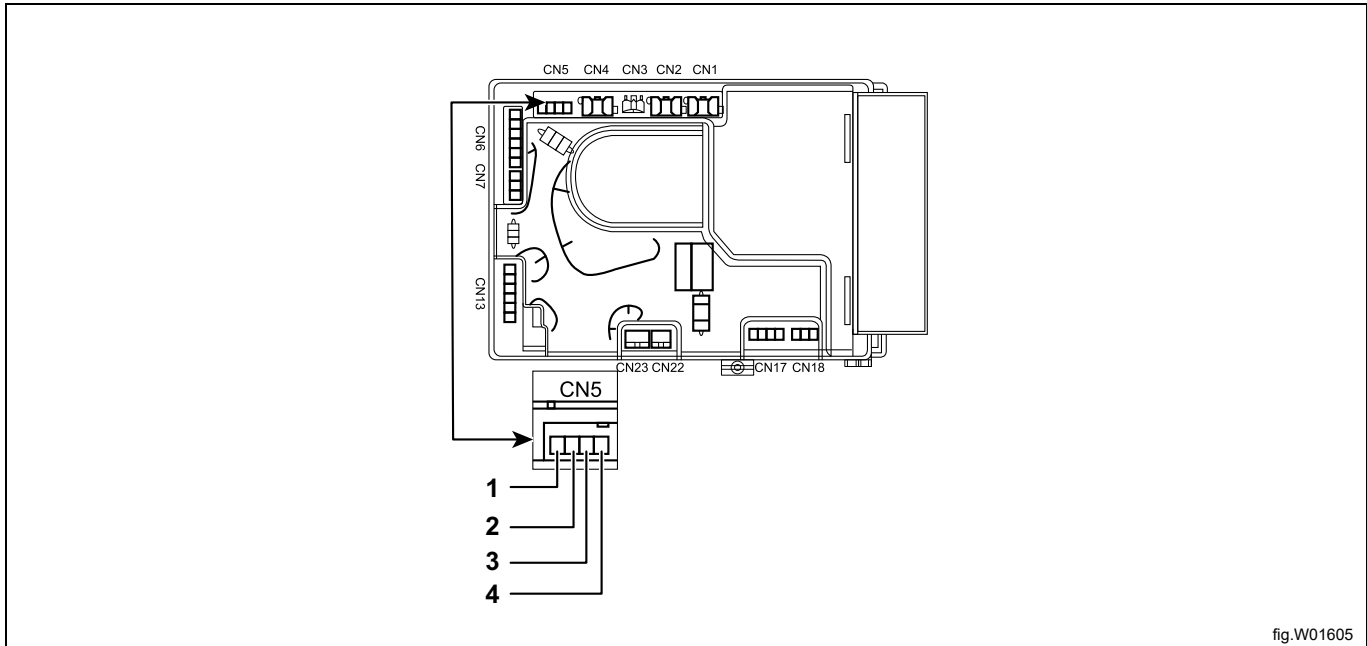


fig.W01605

CN INPUT SHOW	
CN1	Motor Thermal Protector
CN3	Power input
CN4	Heating tube
CN5	Liquid supply signals connector
CN6	Inlet valve
CN7	Drain pump
CN13	Door lock
CN23	Heating temperature sensor
CN22	Communication with display PCB
CN17	Motor tachometer

10 Electrical Connections

This appliance must be grounded. In the event of an electrical short circuit, grounding reduces the risk of electric shock by providing an escape wire for the electric current. This appliance is equipped with a cord having a grounding wire with a grounded plug. The plug must be inserted into an outlet that is properly installed and grounded.



- Improper use of the plug can result in a risk of electric shock.
- Consult a qualified electrician or service person if the grounding instructions are not completely understood or if doubt exists as to whether the appliance is properly grounded.

Wiring Requirements:

This appliance must be plugged into a 10A 220-240 VOLT,
50HZ GROUNDED OUTLET.
60HZ GROUNDED OUTLET.

Note!

Where a standard two-prong outlet is encountered, it is the personal responsibility and obligation of the consumer to have it replaced with a properly grounded three prong outlet.

Extension Cords:

DO NOT use an extension cord with this product.

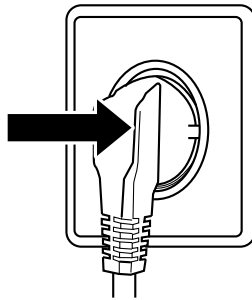


fig.W01606



Power Interruptions

Occasionally there may be power interruptions due to thunderstorms or other causes. Following a power outage, the machine will resume operation at the point where it was when the power failed. During a power failure, the loading door will UNLOCK a few minutes after the drum has stopped turning. This allows garments to be removed in the event of a prolonged power outage.

11 Function Checks

Perform the following checks once the machine is installed:

- Open the water supply valves.
- Press the START button or, if needed, insert coins and press START.

Check:

- That the drum rotates normally and that there are no unusual noises.
- That there are no leaks in water supply/drain connections.
- That water passes through the detergent compartment and fabric conditioner compartments.
- That the door cannot be opened using reasonable force during a program.

12 Preventive Maintenance

To keep your machine in proper working order, follow the preventive maintenance recommendations provided below. The maintenance interval should be adjusted according to machine usage. Leave the loading door open when the machine is not in use.

12.1 Daily

Check the door and door lock:

- Open the door and try starting the machine. The machine **MUST NOT START**.
- Close the door, start the machine and try opening the door using reasonable force. **IT MUST NOT BE POSSIBLE TO OPEN THE DOOR WHILE THE MACHINE IS OPERATING!**
- Check that the door does not leak.
- Clean the door seal, removing any detergent and lint.
- Check that there are no indications of leaks behind or around the machine. Clean out any residue remaining in the detergent dispenser.
- Use a soft wash cloth and mild detergent to clean door and plastic panels.
- Inspect liquid chemical tubing and connections for leaks. Repair as necessary.

12.2 Every Third Month



Warning



May only be carried out by qualified personnel.

- Check the drain pump strainer and remove any accumulated lint and debris.
- Inspect the interior of the machine (during an actual wash cycle to ensure that no leaks are noticed) by:
 - Turning off the main power switch of the machine.
 - Remove the top panel.
 - Start a wash program.
 - **KEEP CLEAR OF MOVING PARTS WHILE MACHINE IS OPERATING!!**
 - Inspect all internal hoses, seals and gaskets for signs of leakage. Repair as necessary.
 - Stop the machine and disconnect the power. Turn off the water supply and check that the water inlet screens are clear of debris. Dirty screens result in longer fill times, reducing productivity.
 - Inspect the drive belt. Adjust the tension or replace as necessary.
 - Check that there are no signs of leakage on the floor beneath the machine. Locate and repair any leak.

Contact your local dealer if you have questions regarding installation, operation, or maintenance of your machine.

13 Disposal information

13.1 Disposal of appliance at end of life

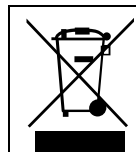
Before disposing of the machine, make sure to carefully check its physical condition, and in particular any parts of the structure that can give or break during scrapping.

The machine's parts must be disposed of in a differentiated way, according to their different characteristics (e.g. metals, oils, greases, plastic, rubber, etc.).

Different regulations are in force in the various countries, therefore comply with the provisions of the laws and competent bodies in the country where scrapping takes place.

In general, the appliance must be taken to a specialised collection/scrapping centre.

Dismantle the appliance, grouping the components according to their chemical characteristics, remembering that the compressor contains lubricant oil and refrigerant fluid which can be recycled, and that the refrigerator and heat pump components are special waste assimilable with urban waste.



The symbol on the product indicates that this product should not be treated as domestic waste, but must be correctly disposed of in order to prevent any negative consequences for the environment and human health. For further information on the recycling of this product, contact the local dealer or agent, the Customer Care service or the local body responsible for waste disposal.


Note!

When scrapping the machine, any marking, this manual and other documents concerning the appliance must be destroyed.

13.2 Disposal of packing

The packing must be disposed of in compliance with the current regulations in the country where the appliance is used. All the packing materials are environmentally friendly.

They can be safely kept, recycled or burned in an appropriate waste incineration plant. Recyclable plastic parts are marked as following examples.

	Polyethylene: <ul style="list-style-type: none"> • Outer wrapping • Instructions bag
	Polypropylene: <ul style="list-style-type: none"> • Straps
	Polystyrene foam: <ul style="list-style-type: none"> • Corner protectors



Electrolux Professional AB
341 80 Ljungby, Sweden
www.electroluxprofessional.com