

Installation manual

Drying Cabinet

DC6-15



Electrolux
PROFESSIONAL

Contents

Contents

1	Safety Precautions	5
1.1	General safety information.....	5
1.2	Symbols.....	5
2	Technical data.....	6
3	Installation kit.....	7
4	Installation	8
4.1	Placement.....	8
4.2	Mechanical installation	8
4.3	Narrow spaces	9
5	Evacuation system	10
5.1	Fresh air.....	10
6	Electrical connection.....	12
7	Function check.....	13
8	Disposal information	14
8.1	Disposal of appliance at end of life	14
8.2	Disposal of packing.....	14

The manufacturer reserves the right to make changes to design and component specifications.

1 Safety Precautions

This appliance can be used in public areas.

Remove all objects from pockets such as lighters and matches.

WARNING. This appliance is intended only for drying textiles washed in water.

DO NOT MODIFY THIS APPLIANCE.

Servicing shall be carried out only by authorized personnel.

Only authorized spare parts shall be used.

When performing service or replacing parts, the power must be disconnected.

A-weighted emission sound pressure level at workstations: <70 dB

Additional requirements for the following countries: AT, BE, BG, HR, CY, CZ, DK, EE, FI, FR, DE, GR, HU, IS, IE, IT, LV, LT, LU, MT, NL, NO, PL, PT, RO, SK, SI, ES, SE, CH, TR, UK:

- This appliance can be used in public areas.
- This appliance can be used by children aged from 8 years and above and persons with reduced physical, sensory or mental capabilities or lack of experience and knowledge if they have been given supervision or instruction concerning use of the appliance in a safe way and understand the hazards involved. Children shall not play with the appliance. Cleaning and user maintenance shall not be made by children without supervision.

Additional requirements for other countries:





- This appliance is not intended for use by persons (including children) with reduced physical, sensory or mental capabilities, or lack of experience and knowledge, unless they have been given supervision or instruction concerning use of the appliance by a person responsible for their safety. Children should be supervised to ensure that they do not play with the appliance.

1.1 General safety information

Do not hose down the machine with water.

In order to prevent damage to the electronics (and other parts) that may occur as the result of condensation, the machine should be placed in room temperature for 24 hours before being used for the first time.

1.2 Symbols

	Caution
	Caution, hot surface
	Read the instructions before using the machine.
	Be careful. The drying cabinet is top heavy and can tip over easily.

2 Technical data

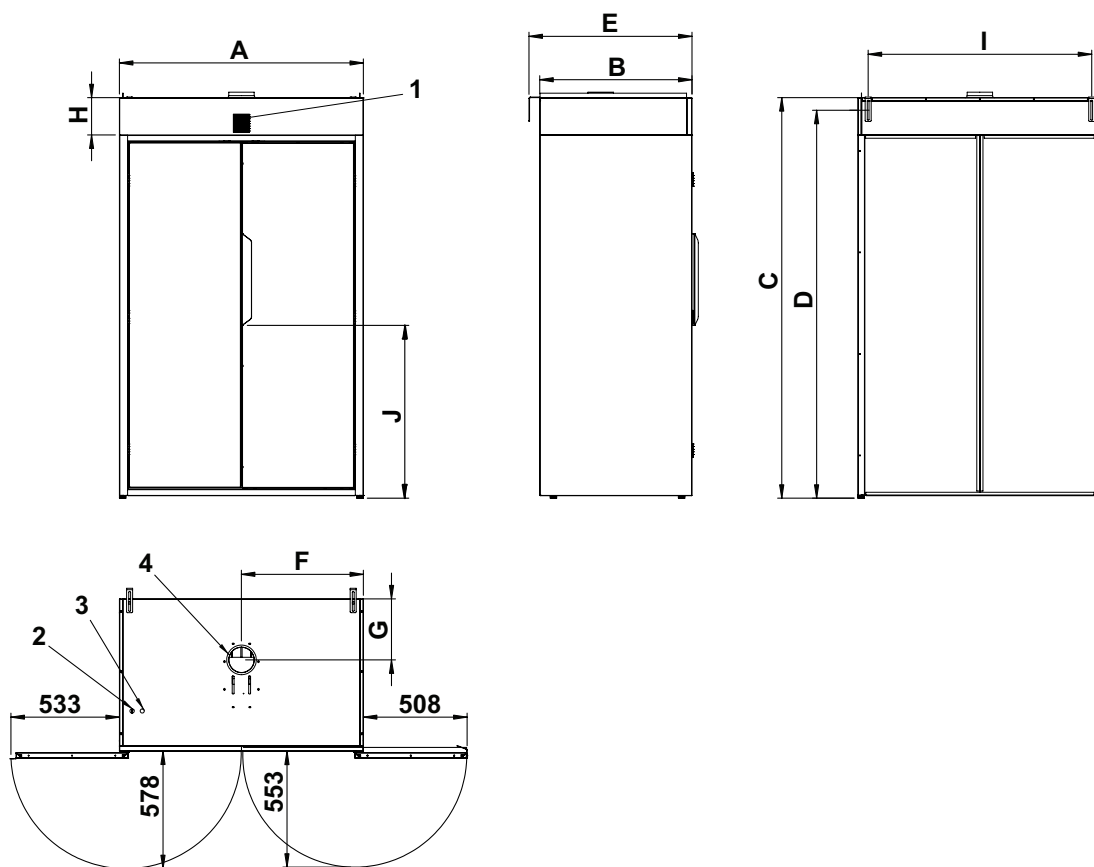


fig.W01225

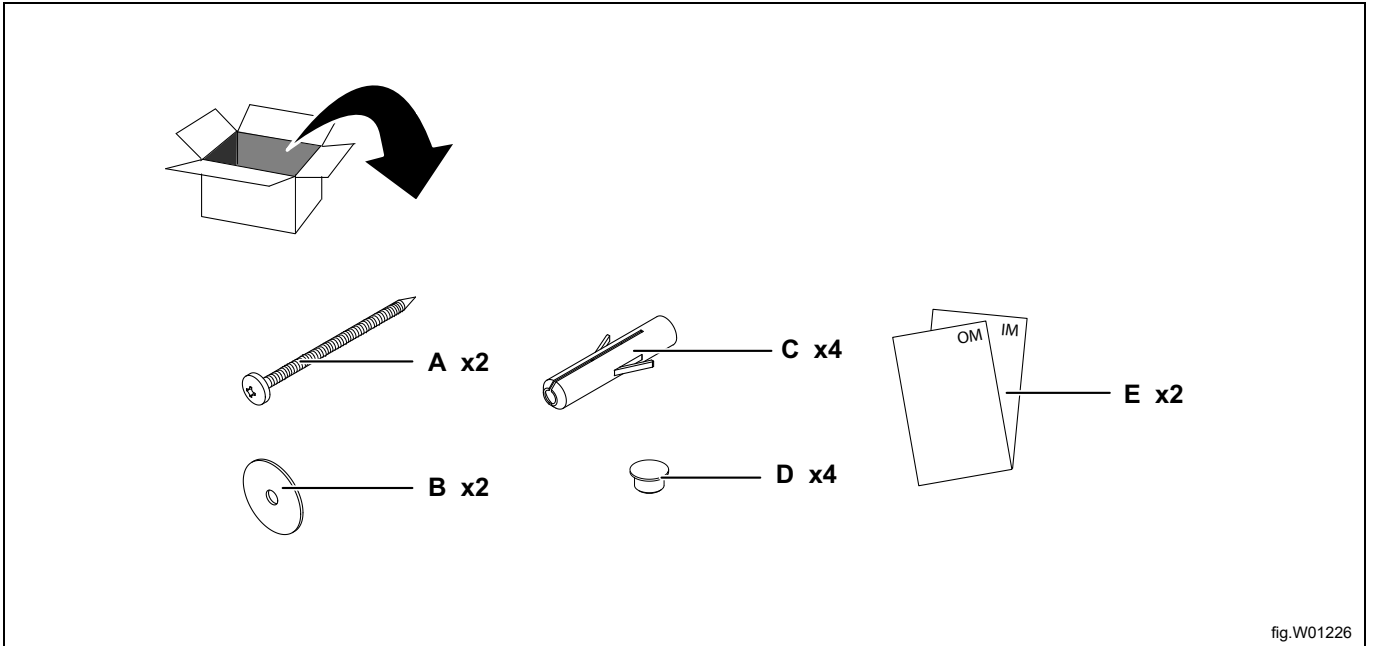
1	Control panel
2	Electrical connection
3	Electrical connection for external fan
4	Exhaust air connection

	A	B	C	D	E	F	G	H	I	J
mm	1200	750	1970	1910	860	600	300	185	1100	850

Exhaust air connection $\varnothing 125$ mm, maximum permitted pressure drop 70 Pa, which corresponds to a straight pipe with a length of approx. 23 m. $\varnothing 160$ mm corresponds to a straight length of approx. 70 m.

Net weight: 134 kg.

3 Installation kit



A	Screw T6S 6x75
B	Washer 8.4x17x1.6
C	Wall plug
D	Cover plug 15-12
E	User Manual / Installation Manual

4 Installation

Place the drying cabinet on its final position.

The straps around the adjustable feet can be used to raise the drying cabinet.

Level the drying cabinet with the adjustable feet. Make sure that the top edges of the doors are level with each other.

4.1 Placement

The drying cabinet should be positioned so that there is plenty of room for working, both for the user and service personnel.

4.2 Mechanical installation



The drying cabinet must be secured to the wall to prevent it from tipping over.

The wall brackets are secured at the top of the drying cabinet upon delivery. Remove the wall brackets, turn them over, and mount as shown. (Screws and plastic plugs are included upon delivery.)

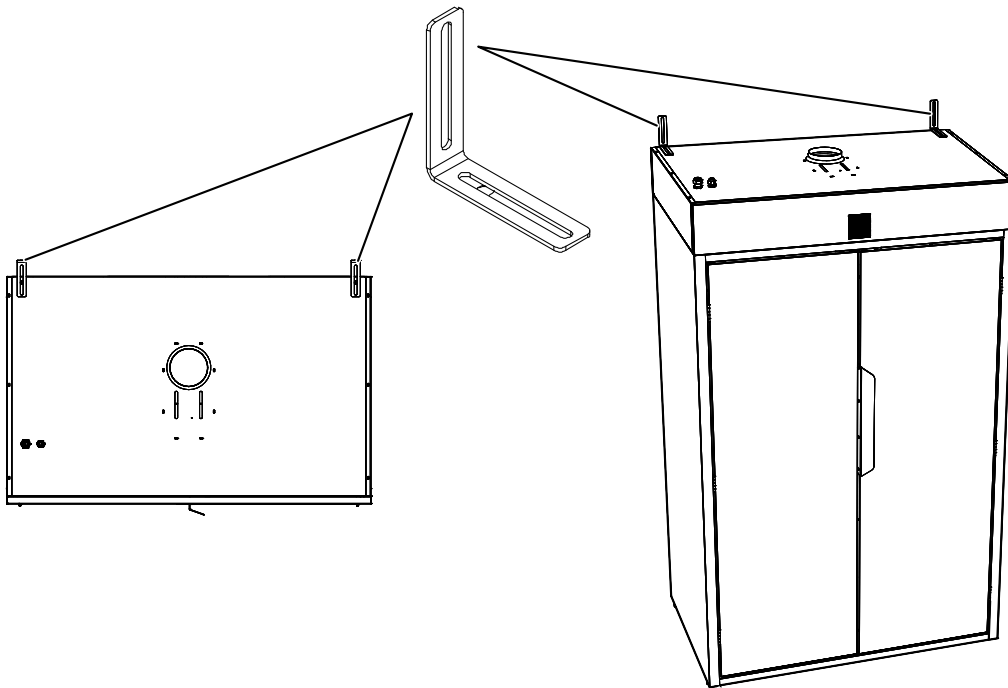


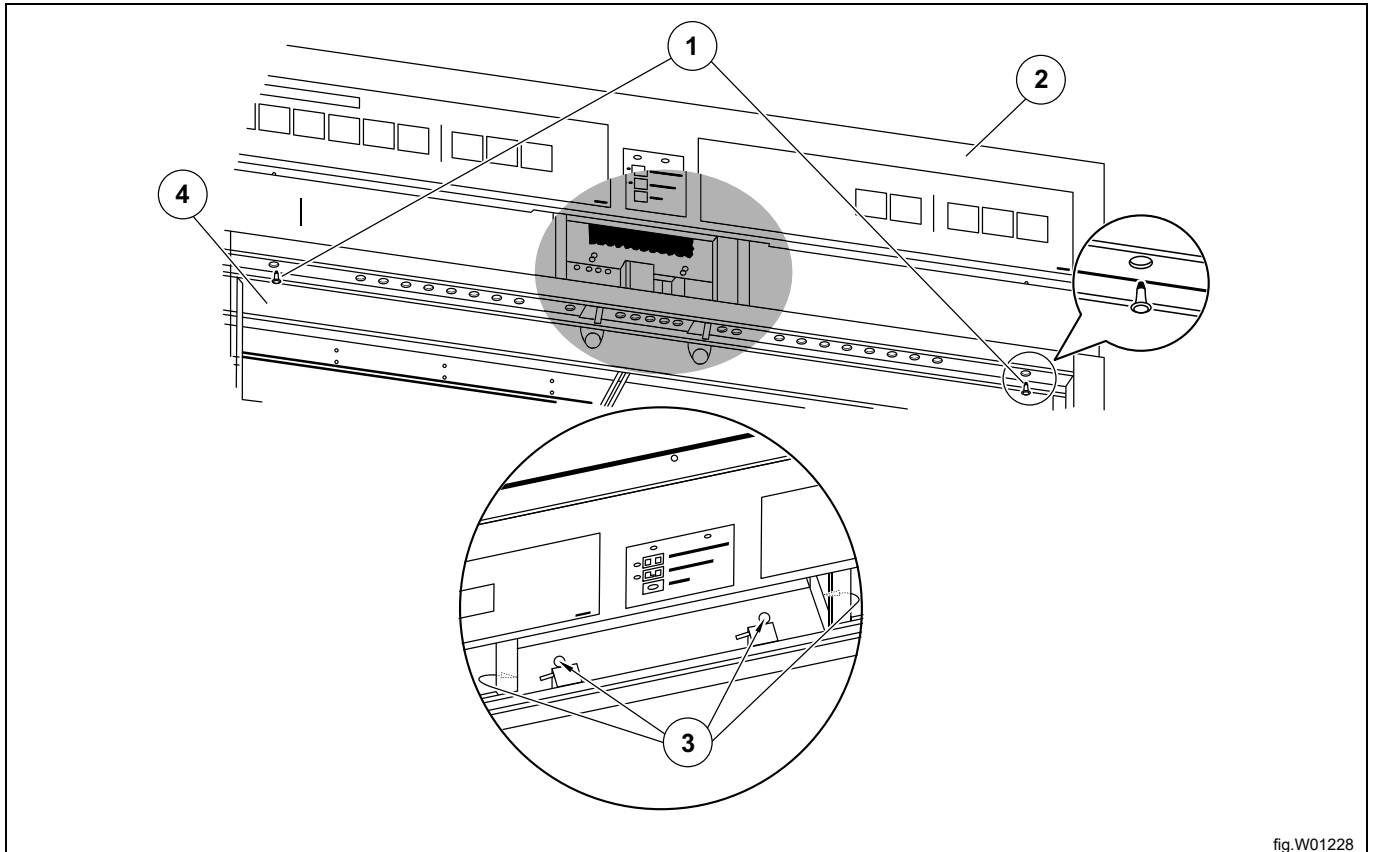
fig.W01227

4.3 Narrow spaces

To facilitate transport, there are straps around the adjustable feet.

The upper part of the drying cabinet can be disassembled by loosening the eight screws. Removing the upper part reduces the height by 180 mm.

- Loosen two screws. No. 1 on the underside of the front panel.
- Lift up front panel no. 2.
- Loosen the four screws holding the door switch panel in place, no. 3, and slide the panel back so it is recessed.
- Loosen the four screws from the grooves at the front and back on the top of the cabinet no. 4.



5 Evacuation system

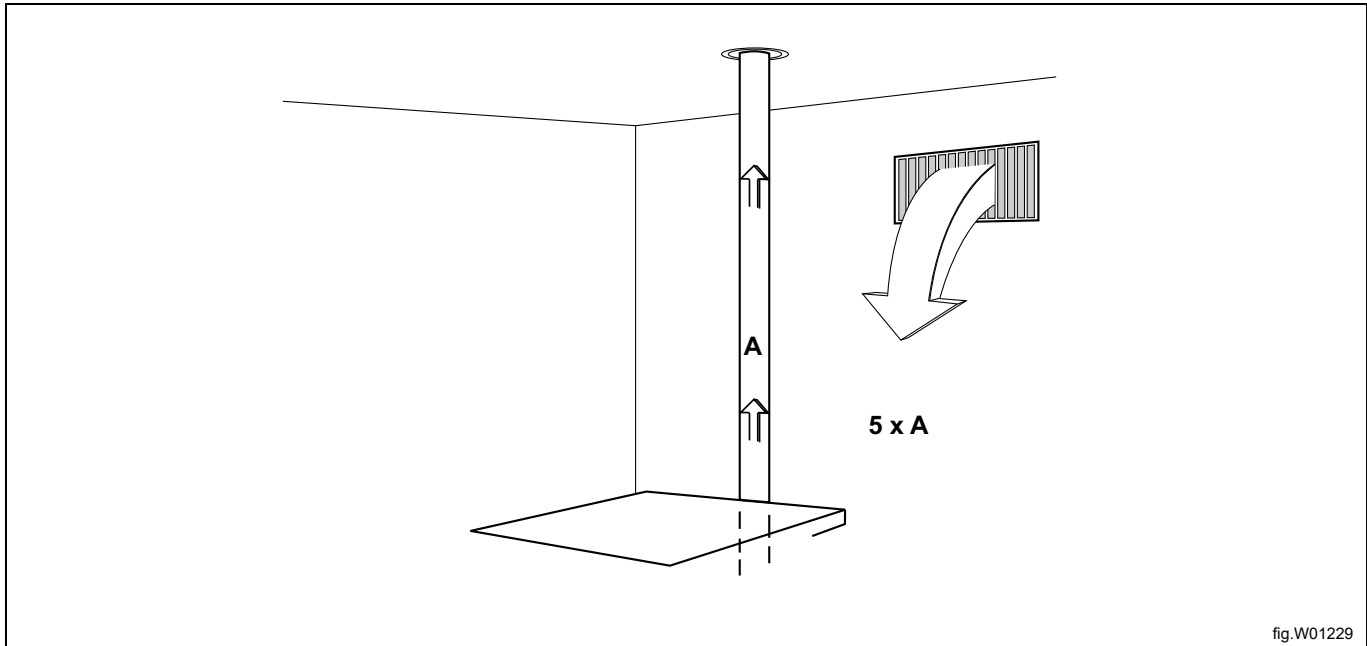
5.1 Fresh air

The drying cabinet must be connected directly to the ventilation duct (not via any intermediate pipes or hoses).

The drying cabinet has an exhaust air flow of up to 250 cubic meters per hour. This air is initially taken from the room where the drying cabinet is situated.

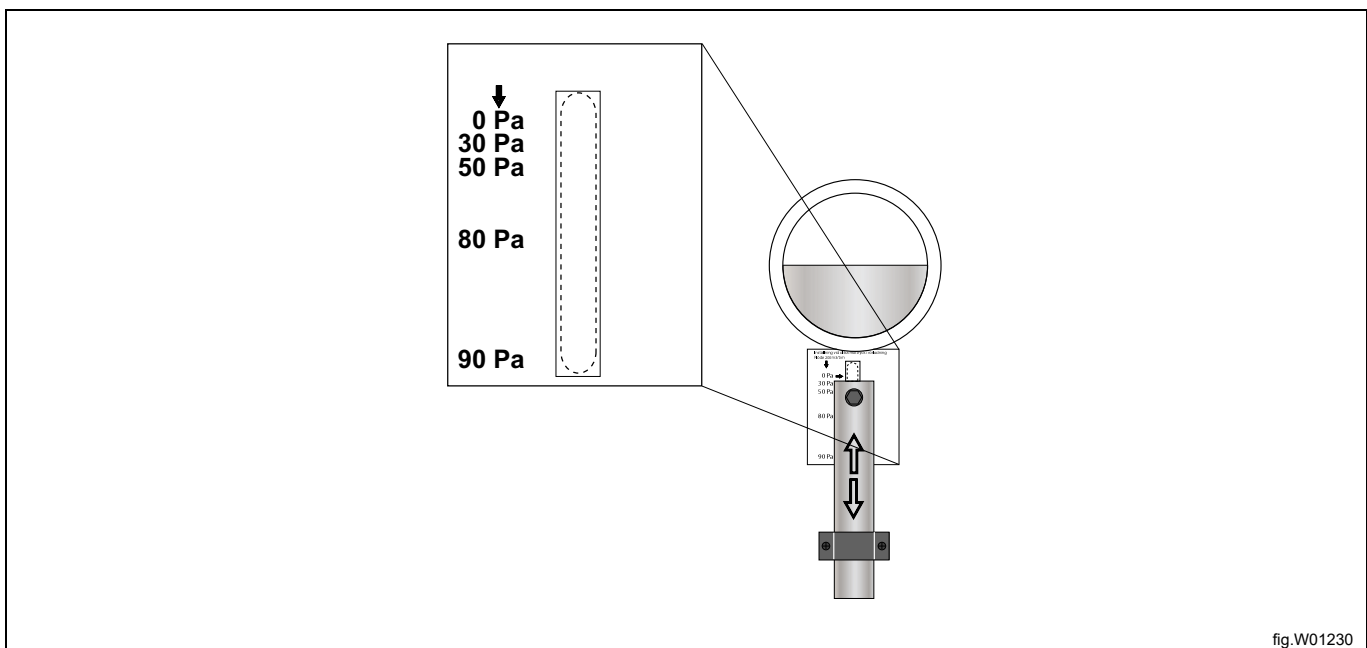
It is therefore important to ensure that fresh air can enter the room from the outside to replace the humid air that is vented out.

The area of the air intake must be five times larger than the area of the evacuation pipe. The resistance in the grid/damper must not exceed 10 Pa (0.1 mbar).



The drying cabinet works most efficiently if the air flow is optimal.

The top of the drying cabinet houses a damper that can be adjusted to a value equal to the pressure drop in the duct. The maximum permitted pressure drop is 70 Pa. If the pressure drop is greater than this, an external fan must be installed. The drying cabinet has an electrical connection for an external fan.



If multiple drying cabinets or dryers are connected to the same air duct, a non-return valve must be installed on each appliance to prevent cold air from entering or the air pressure of one appliance affecting the other.

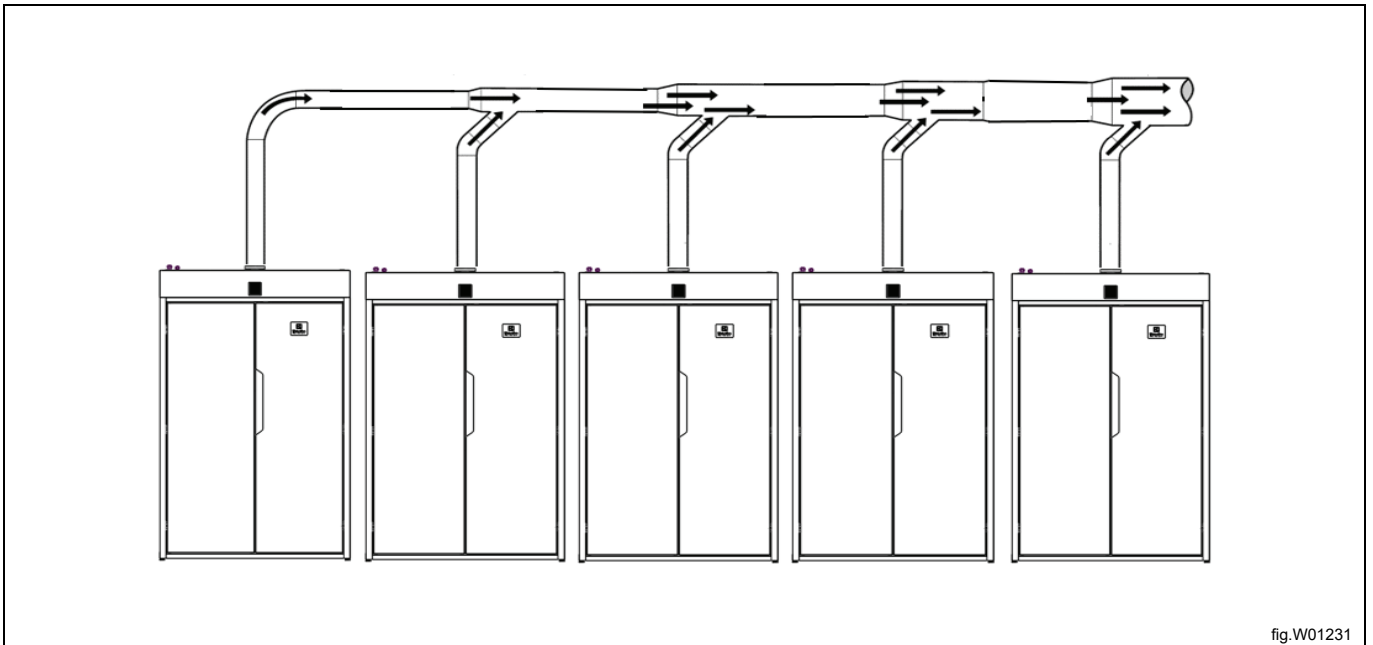


fig.W01231

Number of cabinets		1	2	3	4	5	6	7	8	9	10
Evacuation pipe	dia. [mm]	125	160	200	315	315	315	315	315	400	400
Recommended area for fresh air intake	[m ²]	0.061	0.101	0.157	0.390	0.390	0.390	0.390	0.390	0.628	0.628
Minimum area for fresh air intake	[m ²]	0.035	0.069	0.104	0.139	0.174	0.208	0.243	0.278	0.313	0.347

6 Electrical connection



The electrical installation may only be performed by qualified personnel.

The drying cabinet must be connected to an all-pole circuit breaker.

Heating options	Mains voltage	Hz	Heat output kW	Total output kW	Recommended fuse A
Electrically heated	400V 3N ~	50	6.0	6.2	10 / 13 auto fuse

7 Function check



May only be performed by qualified personnel.



A function check must be performed when the installation is finished and before the appliance can be used.

Whenever a repair has been made, a function check must be performed before the appliance can be used again.

- Select any program and check that the drying cabinet is heating and that there are no odd noises.

Ready for use

If all tests are OK the appliance is now ready for use.

If any of the tests fail, or deficiencies or faults are detected, please contact your local service organization or supplier.

8 Disposal information

8.1 Disposal of appliance at end of life

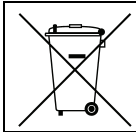
Before disposing of the machine, make sure to carefully check its physical condition, and in particular any parts of the structure that can give or break during scrapping.

The machine's parts must be disposed of in a differentiated way, according to their different characteristics (e.g. metals, oils, greases, plastic, rubber, etc.).

Different regulations are in force in the various countries, therefore comply with the provisions of the laws and competent bodies in the country where scrapping takes place.

In general, the appliance must be taken to a specialised collection/scrapping centre.

Dismantle the appliance, grouping the components according to their chemical characteristics, remembering that the compressor contains lubricant oil and refrigerant fluid which can be recycled, and that the refrigerator and heat pump components are special waste assimilable with urban waste.



The symbol on the product indicates that this product should not be treated as domestic waste, but must be correctly disposed of in order to prevent any negative consequences for the environment and human health. For further information on the recycling of this product, contact the local dealer or agent, the Customer Care service or the local body responsible for waste disposal.




Note!

When scrapping the machine, any marking, this manual and other documents concerning the appliance must be destroyed.

8.2 Disposal of packing

The packing must be disposed of in compliance with the current regulations in the country where the appliance is used. All the packing materials are environmentally friendly.

They can be safely kept, recycled or burned in an appropriate waste incineration plant. Recyclable plastic parts are marked as following examples.

	Polyethylene: <ul style="list-style-type: none"> • Outer wrapping • Instructions bag
	Polypropylene: <ul style="list-style-type: none"> • Straps
	Polystyrene foam: <ul style="list-style-type: none"> • Corner protectors



Electrolux Professional AB
341 80 Ljungby, Sweden
www.electroluxprofessional.com