

Installation manual

Washer extractor

W4400H, W4600H, W4850H, W41100H
Clarus Control

Type W4.H.



Electrolux
PROFESSIONAL

Contents

Contents

1	Safety Precautions	5
1.1	General safety information.....	6
1.2	Commercial use only.....	6
1.3	Symbols.....	6
2	Warranty terms and exclusions.....	7
3	Technical data.....	8
3.1	Drawing	8
3.1.1	W4400H	8
3.1.2	W4600H	9
3.1.3	W4850H	10
3.1.4	W41100H	11
3.2	Technical data	12
3.3	Connections	12
4	Setup	13
4.1	Unpacking.....	13
4.2	Recycling instruction for packaging	16
4.3	Siting	17
4.4	Mechanical installation	17
5	Water connection	21
6	Steam connection	22
7	Compressed air connection.....	23
8	Drain connection	24
9	Ventilation.....	25
10	Detergent supply injector	25
11	Connection of external dosing systems	26
11.1	Connection of the hoses.....	26
11.2	Electrical connection of external dosing system.....	27
12	Electrical connection.....	28
12.1	Electrical connections	30
13	Installation of machines with tilt function.....	31
14	Disposal information	38
14.1	Disposal of appliance at end of life	38
14.2	Disposal of packing.....	38

The manufacturer reserves the right to make changes to design and component specifications.

1 Safety Precautions

- Servicing shall be carried out only by authorized personnel.
- Only authorized spare parts, accessories and consumables shall be used.
- Only use detergent intended for water-wash of textiles. Never use dry cleaning agents.
- The machine shall be connected with new water hoses. Re-used water hoses must not be used.
- The machine's door lock must under no circumstances be bypassed.
- If the machine develops a fault, this must be reported to the person in charge as soon as possible. This is important both for your safety and that of others.
- DO NOT MODIFY THIS APPLIANCE.
- When performing service or replacing parts, the power must be disconnected.
- When the power is disconnected, the operator must see that the machine is disconnected (that the plug is removed and remains removed) from any point to which he has access. If this is not possible, due to the construction or installation of the machine, a disconnection with a locking system in the isolated position shall be provided.
- In accordance with the wiring rules: mount a multi-pole switch prior to the machine to facilitate installation and service operations.
- If different rated voltages or different rated frequencies (separated by a /) are stated at the machine data plate, instructions for adjusting the appliance for operation at the required rated voltage or rated frequency are stated in the installation manual.
- Stationary appliances not fitted with means for disconnection from the supply mains having a contact separation in all poles that provide full disconnection under overvoltage category III, the instructions state that means for disconnection must be incorporated in the fixed wiring in accordance with the wiring rules.
- The openings in the base, shall not be obstructed by a carpet.
- Maximum mass of dry cloth: W4400H: 45 kg, W4600H: 65 kg, W4850H: 90 kg, W41100H: 120 kg.
- A-weighted emission sound pressure level at working stations:
 - Wash: W4400H: <70 dB(A), W4600H: <70 dB(A), W4850H: <70 dB(A), W41100H: <70 dB(A).
 - With insulation: W4400H: <70 dB(A), W4600H: <70 dB(A), W4850H: <70 dB(A), W41100H: <70 dB(A).
- Maximum inlet water pressure: 1000 kPa
- Minimum inlet water pressure: 50 kPa
- Additional requirements for the following countries; AT, BE, BG, HR, CY, CZ, DK, EE, FI, FR, DE, GR, HU, IS, IE, IT, LV, LT, LU, MT, NL, NO, PL, PT, RO, SK, SI, ES, SE, CH, TR, UK:
 - CAUTION: This appliance shall not be installed where the public has access.
- Additional requirements for other countries:
 - This appliance is not intended for use by persons (including children) with reduced physical, sensory or mental capabilities, or lack of experience and knowledge, unless they have been given supervision or instruction concerning use of the appliance by a person responsible for their safety. Children should be supervised to ensure that they do not play with the appliance.

– This appliance is intended to be used in household and similar applications such as: (IEC 60335-2-7) staff kitchen areas in shops, offices and other working environments, farm houses, by clients in hotels, motels and other residential type environments, bed and breakfast type environments, areas for communal use in blocks of flats or in laundrettes.

1.1 General safety information

The machine is only intended for water-wash use.




Do not hose down the machine with water.

In order to prevent damage to the electronics (and other parts) that may occur as the result of condensation, the machine should be placed in room temperature for 24 hours before being used for the first time.

1.2 Commercial use only

The machine/machines covered by this manual is/are made for commercial and industrial use only.

1.3 Symbols

	Caution
	Caution, high voltage
	Read the instructions before using the machine

2 Warranty terms and exclusions

If the purchase of this product includes warranty coverage, warranty is provided in line with local regulations and subject to the product being installed and used for the purposes as designed, and as described within the appropriate equipment documentation.

Warranty will be applicable where the customer has used only genuine spare parts and has performed maintenance in accordance with Electrolux Professional user and maintenance documentation made available in paper or electronic format.

Electrolux Professional strongly recommends using Electrolux Professional approved cleaning, rinse and descaling agents to obtain optimal results and maintain product efficiency over time.

The Electrolux Professional warranty does not cover:

- service trips cost to deliver and pick up the product;
- installation;
- training on how to use/operate;
- replacement (and/or supply) of wear and tear parts unless resulting from defects in materials or workmanship reported within one (1) week from the failure;
- correction of external wiring;
- correction of unauthorized repairs as well as any damages, failures and inefficiencies caused by and/or resulting from;
 - insufficient and/or abnormal capacity of the electrical systems (current/voltage/frequency, including spikes and/or outages);
 - inadequate or interrupted water supply, steam, air, gas (including impurities and/or other that does not comply with the technical requirements for each appliance);
 - plumbing parts, components or consumable cleaning products that are not approved by the manufacturer;
 - customer's negligence, misuse, abuse and/or non-compliance with the use and care instructions detailed within the appropriate equipment documentation;
 - improper or poor: installation, repair, maintenance (including tampering, modifications and repairs carried out by third parties not authorized third parties) and modification of safety systems;
 - Use of non-original components (e.g.: consumables, wear and tear, or spare parts);
 - environment conditions provoking thermal (e.g. overheating/freezing) or chemical (e.g. corrosion/oxidation) stress;
 - foreign objects placed in- or connected to- the product;
 - accidents or force majeure;
 - transportation and handling, including scratches, dents, chips, and/or other damage to the finish of the product, unless such damage results from defects in materials or workmanship and is reported within one (1) week of delivery unless otherwise agreed;
- product with original serial numbers that have been removed, altered or cannot be readily determined;
- replacement of light bulbs, filters or any consumable parts;
- any accessories and software not approved or specified by Electrolux Professional.

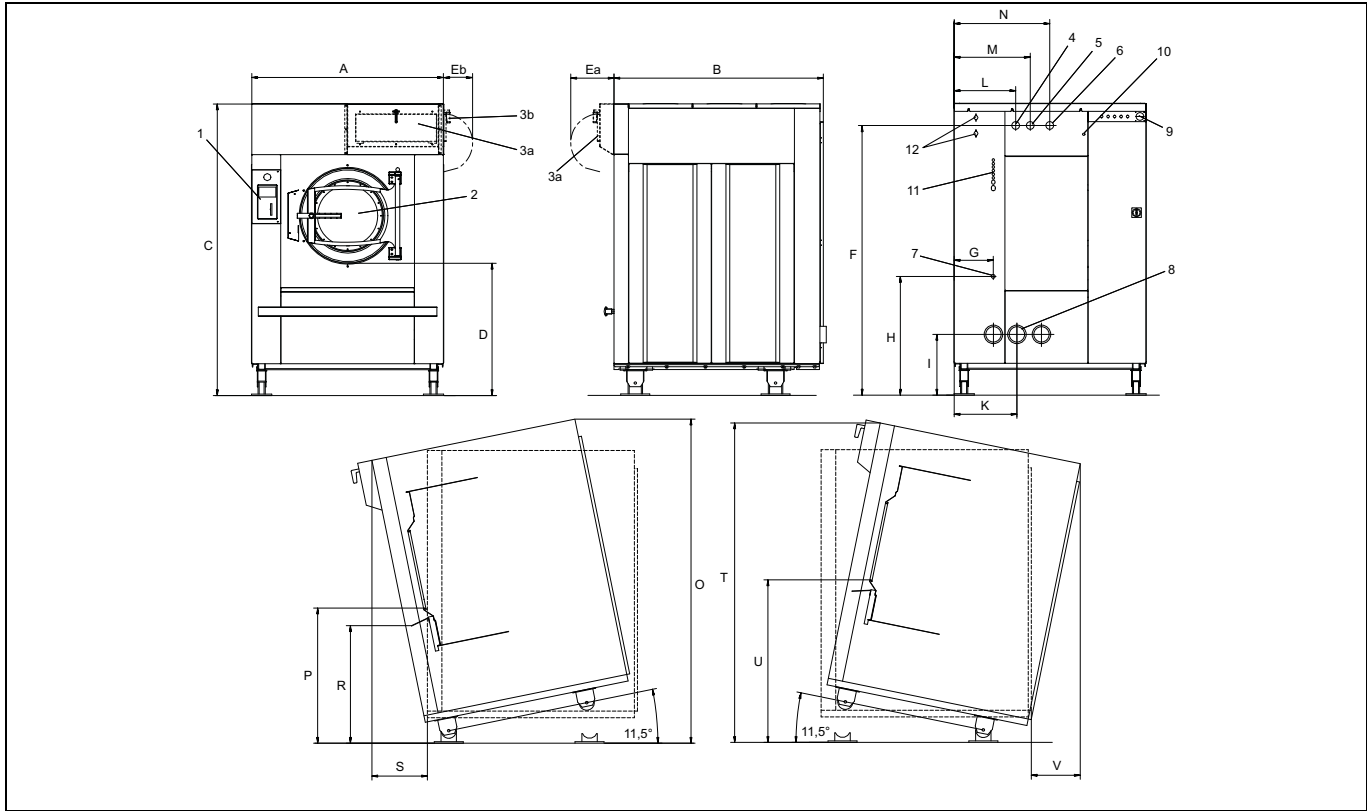
Warranty does not include scheduled maintenance activities (including the parts required for it) or the supply of cleaning agents unless specifically covered within any local agreement, subject to local terms and conditions.

Check on Electrolux Professional website the list of authorized customer care.

3 Technical data

3.1 Drawing

3.1.1 W4400H



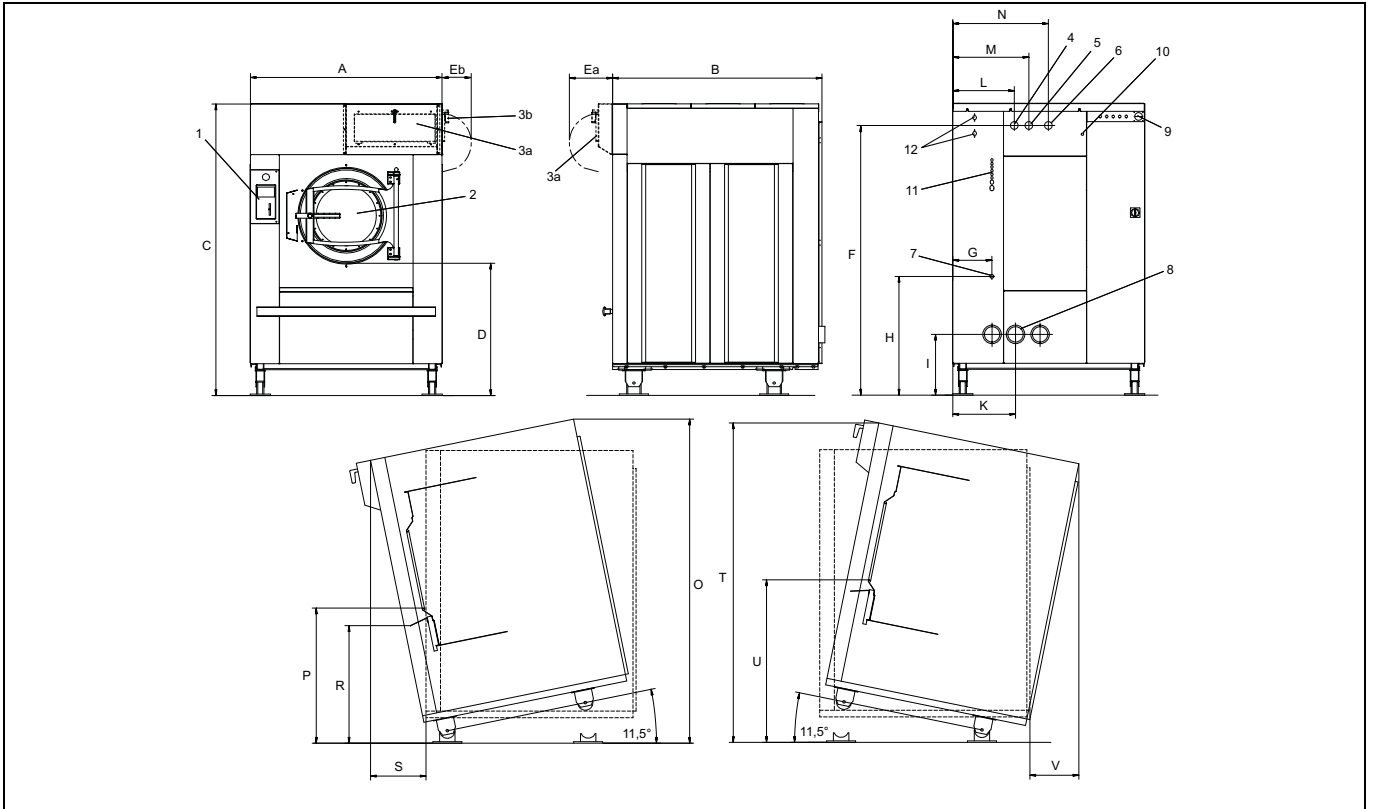
1	Operating panel
2	Door opening, \varnothing 535 mm
3a	Five-compartment detergent box, front (optional)
3b	Five-compartment detergent box, right hand side (optional)
4	Cold water
5	Hot water
6	Third water (optional)
7	Steam connection
8	Drain
9	Electrical connection
10	Compressed air connection
11	External liquid detergent connections, 6 pcs \varnothing 10 mm, 1 pc \varnothing 16 mm and 1 pc \varnothing 20 mm
12	Water connection, detergent injector, 3/4" (optional)

	A	B	C	D	Ea	Eb	F	G
mm	1325	1450	1975	870	300	210	1825	270

	H	I	K	L	M	N	O	P
mm	780	380	435	425	525	660	2235	950

	R	S	T	U	V
mm	830	370	2205	1140	345

3.1.2 W4600H



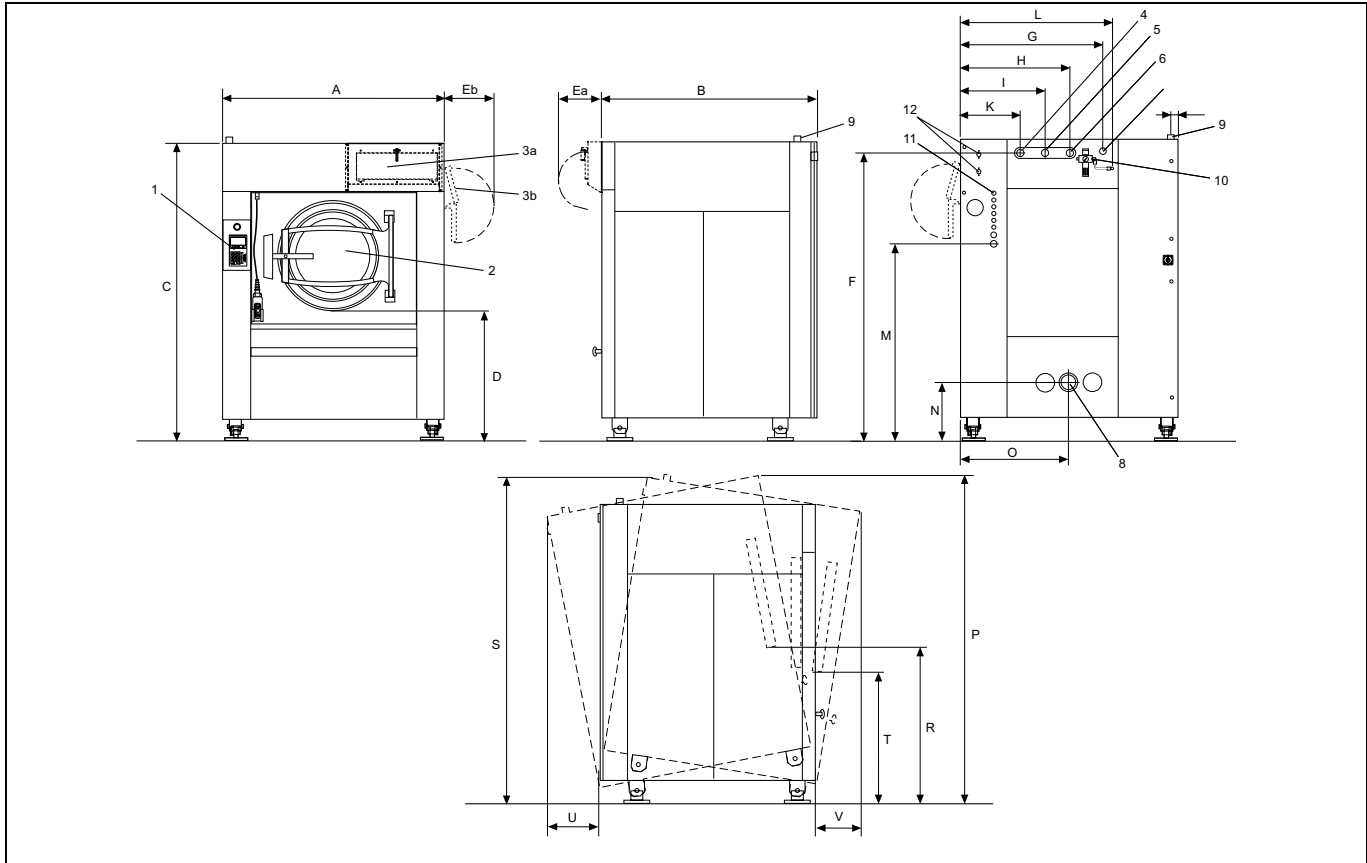
1	Operating panel
2	Door opening, \varnothing 535 mm
3a	Five-compartment detergent box, front (optional)
3b	Five-compartment detergent box, right hand side (optional)
4	Cold water
5	Hot water
6	Third water (optional)
7	Steam connection
8	Drain
9	Electrical connection
10	Compressed air connection
11	External liquid detergent connections, 6 pcs \varnothing 10 mm, 1 pc \varnothing 16 mm and 1 pc \varnothing 20 mm
12	Water connection, detergent injector, 3/4" (optional)

	A	B	C	D	Ea	Eb	F	G
mm	1390	1585	1975	870	300	210	1825	270

	H	I	K	L	M	N	O	P
mm	780	380	435	425	525	660	2225	935

	R	S	T	U	V
mm	815	325	2200	1120	300

3.1.3 W4850H



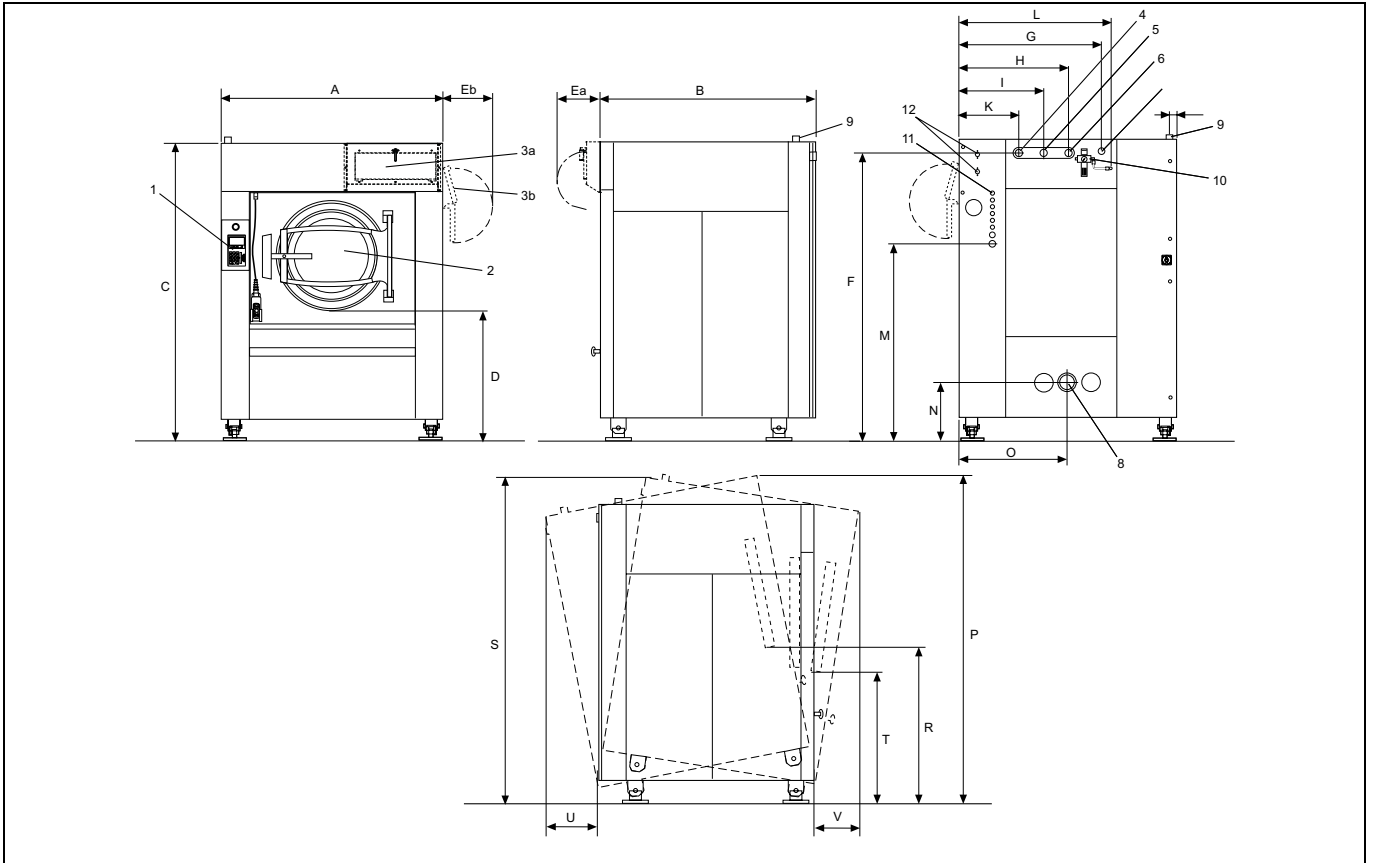
1	Operating panel
2	Door opening, \varnothing 700 mm
3a	Five-compartment detergent box, front (optional)
3b	Five-compartment detergent box, right hand side (optional)
4	Cold water
5	Hot water
6	Third water (optional)
7	Steam connection
8	Drain
9	Electrical connection
10	Compressed air connection
11	External liquid detergent connections, 6 pcs \varnothing 10 mm, 1 pc \varnothing 16 mm and 1 pc \varnothing 20 mm
12	Water connection, detergent injector, 3/4" (optional)

	A	B	C	D	Ea	Eb	F	G
mm	1640	1635	2230	995	300	380	2135	1070

	H	I	K	L	M	N	O	P
mm	830	635	445	1140	1660	435	820	2410

	R	S	T	U	V
mm	1175	2480	960	285	400

3.1.4 W41100H



1	Operating panel
2	Door opening, \varnothing 700 mm
3a	Five-compartment detergent box, front (optional)
3b	Five-compartment detergent box, right hand side (optional)
4	Cold water
5	Hot water
6	Third water (optional)
7	Steam connection
8	Drain
9	Electrical connection
10	Compressed air connection
11	External liquid detergent connections, 6 pcs \varnothing 10 mm, 1 pc \varnothing 16 mm and 1 pc \varnothing 20 mm
12	Water connection, detergent injector, 3/4" (optional)

	A	B	C	D	Ea	Eb	F	G
mm	1640	1850	2230	995	300	380	2135	1070

	H	I	K	L	M	N	O	P
mm	830	635	445	1140	1660	435	820	2400

	R	S	T	U	V
mm	1160	2480	955	240	335

3.2 Technical data

		W4400H	W4600H	W4850H	W41100H
Weight, net	kg	1095–1450*	1380–1480*	2200–2300*	2300–2400*
Drum volume	litres	400	600	850	1100
Drum diameter	mm	920	980	1220	1220
Drum speed during wash	rpm	37	36	42	42
Drum speed during extraction	rpm	825	800	720	663
G-factor, max.		350	350	350	300
Heating: Electricity	kW	36.0	38.4		
	kW		54.0		
Heating: Steam		x	x	x	x
Heating: Hot water		x	x	x	x
Frequency of the dynamic force	Hz	13.8	13.3	12.0	11.1
Floor load at max extraction	kN	15.8 ± 1.2	16.9 ± 1.4	25.9 ± 1.5	27.9 ± 2.0
A-weighted emission sound pressure level at working stations	dB(A)	75	76	73	73
Sound pressure level at working stations (With insulation)	dB(A)	<70	<70	<70	<70
Power consumption — motor	kW	4.5	4.8	6.3	6.3
Heat emission of installed power, max	%	5	6	6.7	6.8

* Precise weight depends on accessories fitted on the machine.

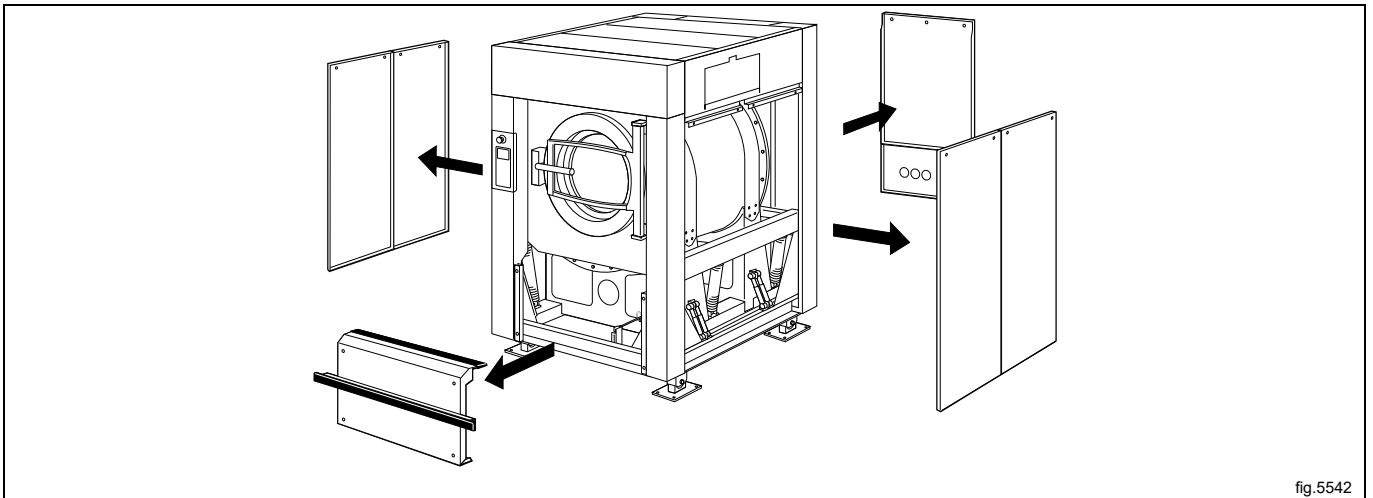
3.3 Connections

		W4400H	W4600H	W4850H	W41100H
Water valves	DN BSP	25 1"	25 1"	32 1 1/4"	32 1 1/4"
Recommended water pressure	kPa	200–600	200–600	200–600	200–600
Continuous operating pressure	kPa	50–1000	50–1000	50–1000	50–1000
Capacity at 300 kPa	l/min	110	110	150	150
Drain valve ø outer	mm	110	110	110	110
Draining capacity	l/min	400	400	400	400
Steam valve connection	DN BSP	20 3/4"	20 3/4"	32 1 1/4"	32 1 1/4"
Recommended steam pressure	kPa	300–600	300–600	300–600	300–600
Functioning limits for steam valve	kPa	50–800	50–800	50–800	50–800
Compressed air connection	DN BSP	6 1/8"	6 1/8"	6 1/8"	6 1/8"
Recommended air pressure	kPa	500–700	500–700	500–700	500–700
Air consumption	l/h	20	20	20	20

4 Setup

4.1 Unpacking

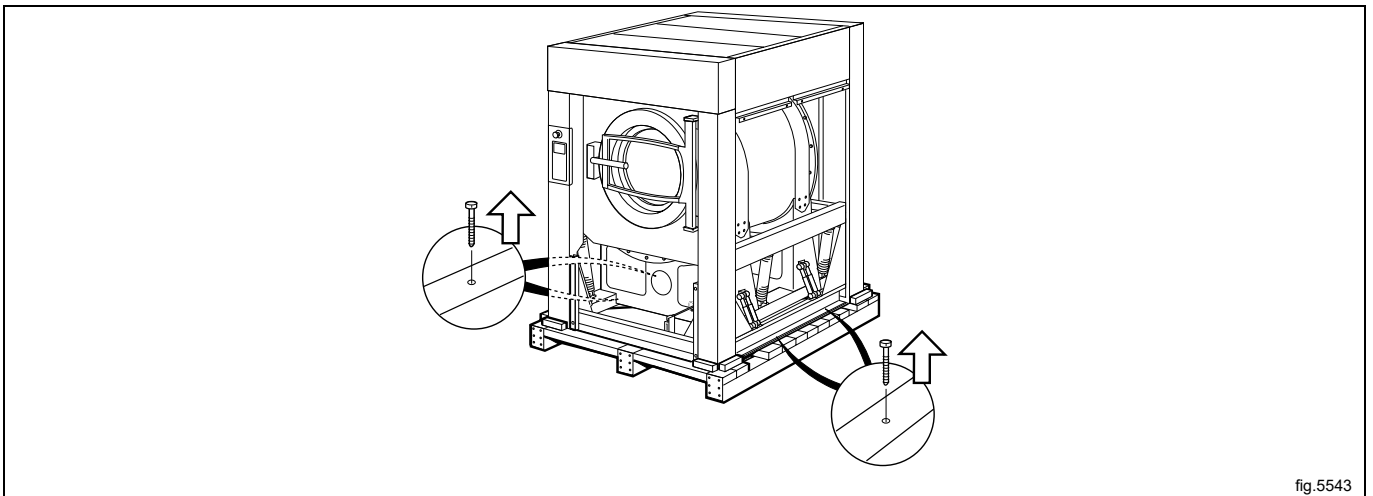
The direction from which the machine must be lifted and the machine centre of gravity are shown on the packaging. Remove the side panels, the rear panel and the lower front panel.



Remove the eight bolts securing the machine's outer- and inner frame onto the pallet.

Note!

If the machine is equipped with weighing equipment, take extra care when removing the bolts, since the load cells fitted by the machine's feet are sensitive to knocks and impacts.



Use a fork-lift truck to lift the machine.

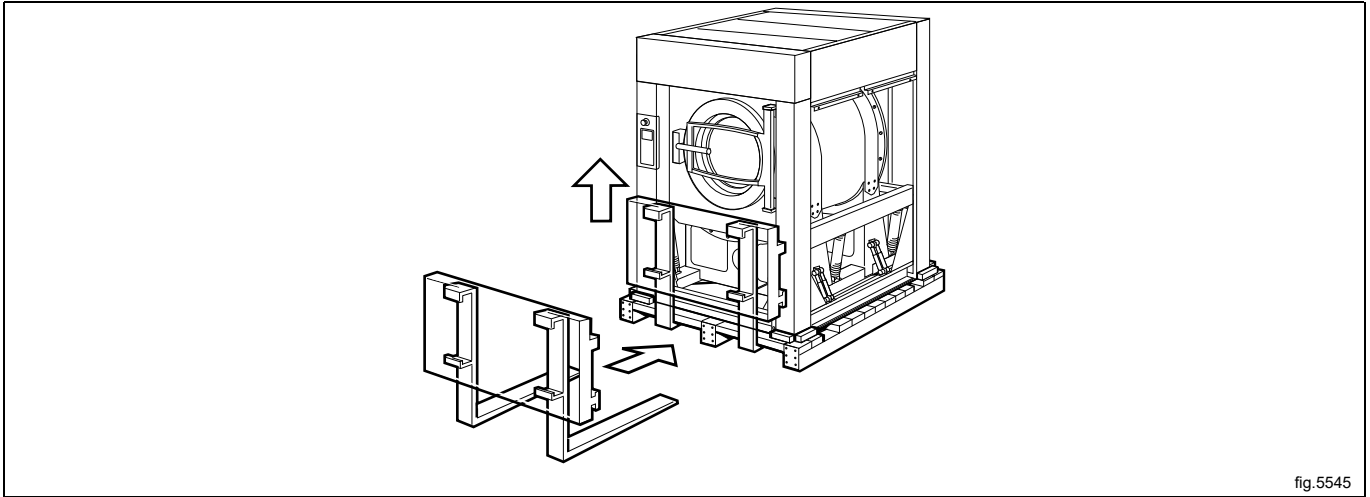


fig.5545

Position the four blocks of wood supplied, one beneath each machine foot (on the outer frame), within the recesses in the pallet.

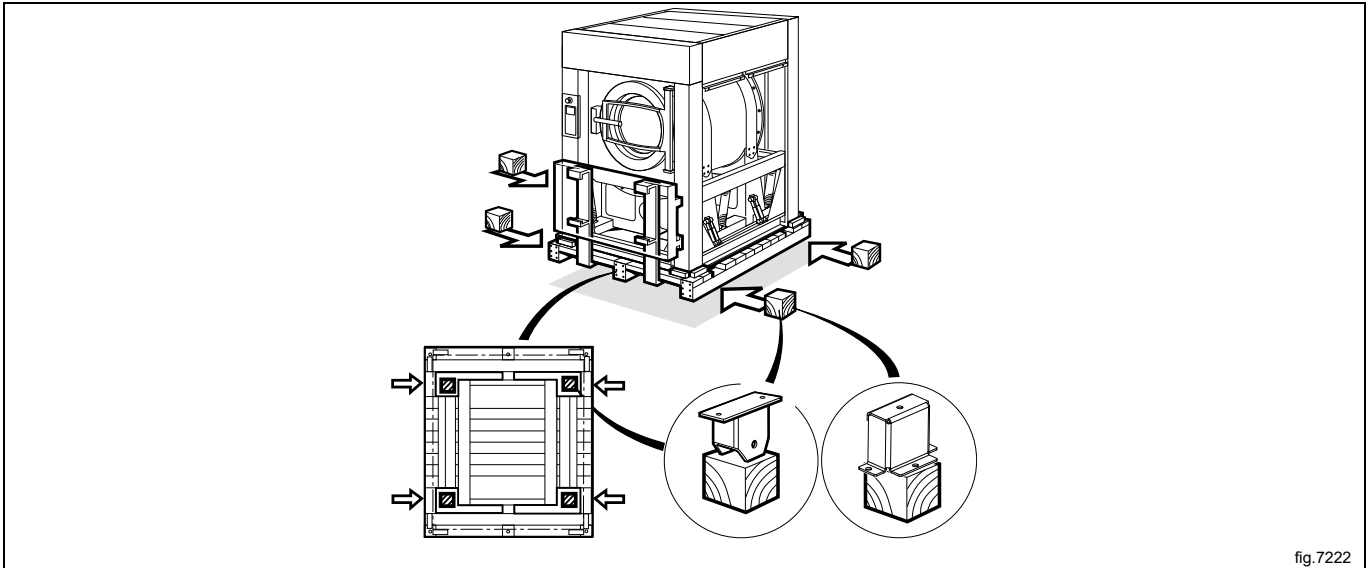


fig.7222

Lower the machine (A) and withdraw the truck forks (B). The machine should now be standing on the four blocks, and the pallet will be on the floor, clear of the machine. The next step is to insert the truck forks very carefully between machine and pallet (C).

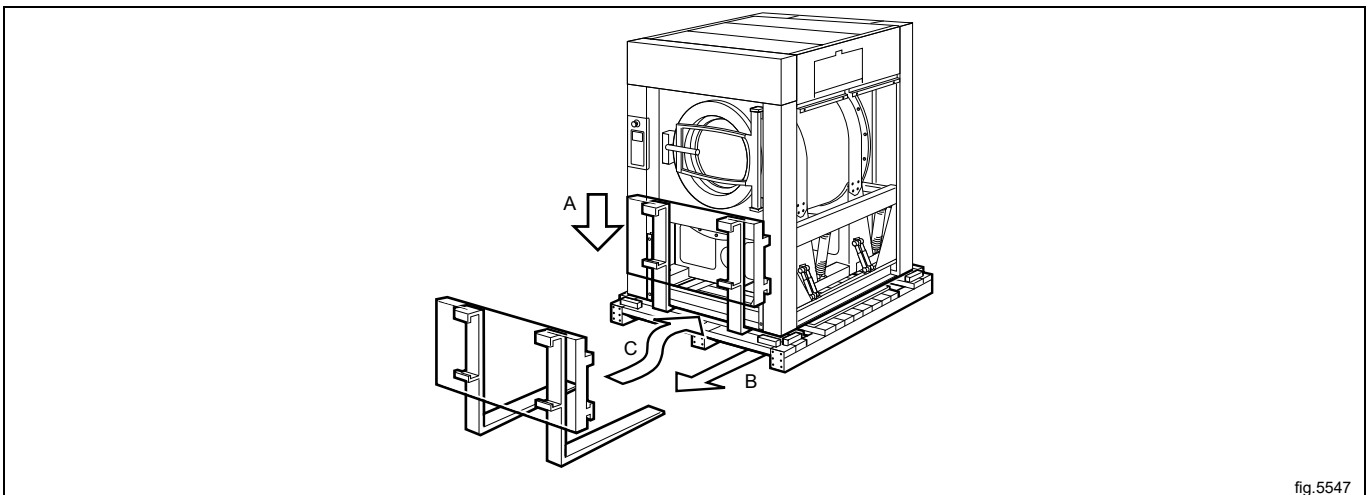


fig.5547

Lift the machine and remove pallet and blocks.

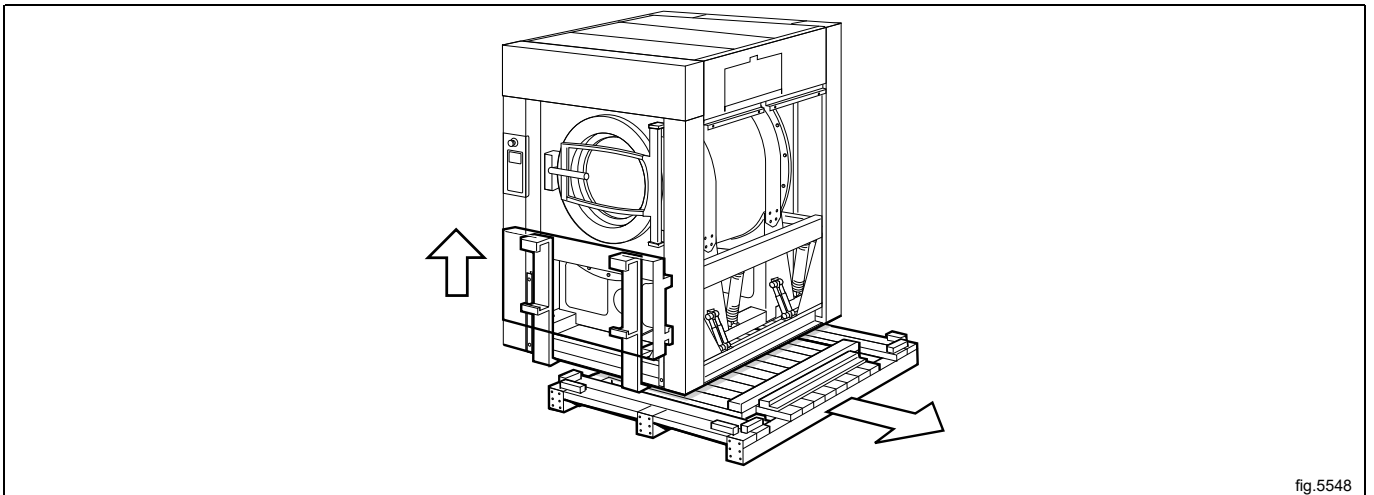


fig.5548

The feet can be of two types: fixed feet or rotating feet if the machine is to be fitted with tilt or weighing equipment. For machines with tilt or weighing equipment: screw on the machine's feet.

Note!

If the machine is to have the tilt function, this is a suitable time to install the corner posts which hold the protective plates, and also, where applicable, the position sensors. (For more information please refer to section "Installation of machines with tilt function").

It is important that the wheels are installed with the wider side facing in towards the machine (D) in order for the tilt protection to fit.

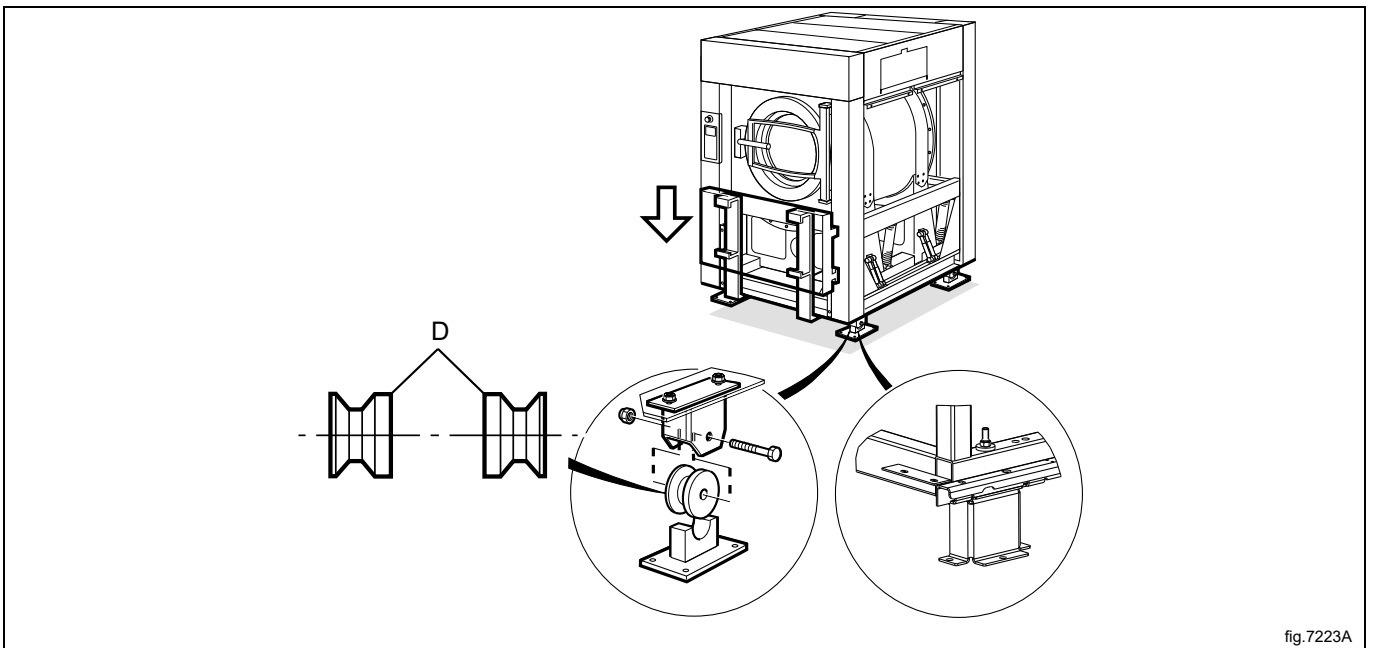


fig.7223A

Note!

When moving the machine, handle it with care.

Place the machine on its final position.

4.2 Recycling instruction for packaging

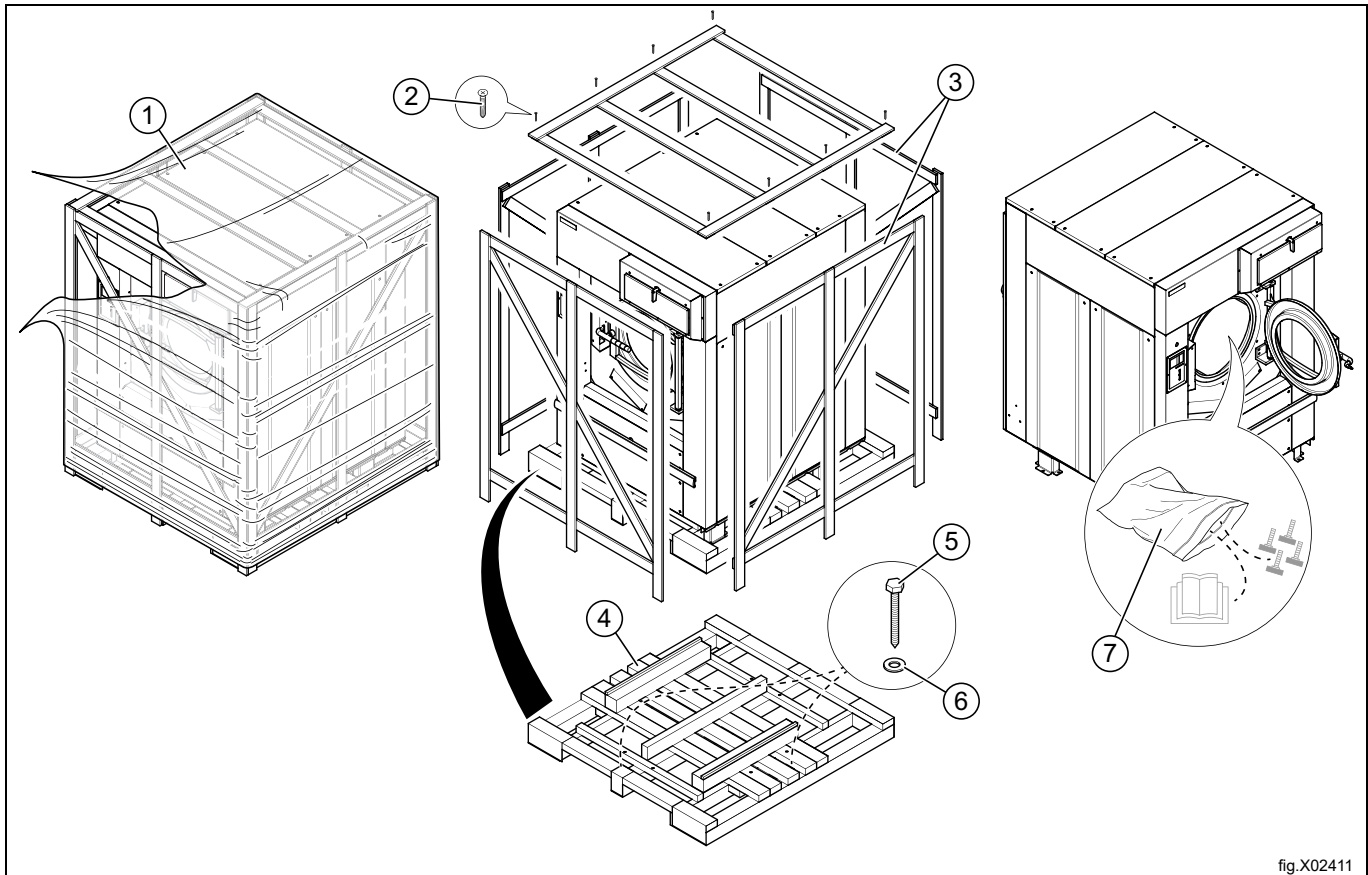
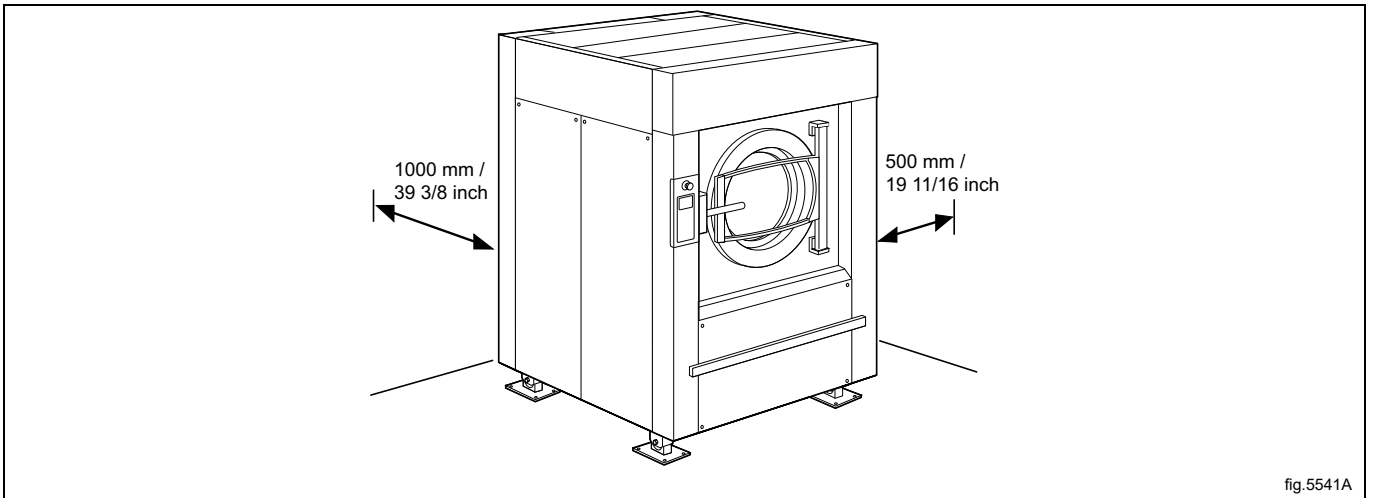


fig.X02411

Fig.	Description	Code	Type
1	Wrapping film	LDPE 4	Plastics
2	Screw	FE 40	Steel
3	Packaging	FOR 50	Wood
4	Pallet	FOR 50	Wood
5	Screw	FE 40	Steel
6	Washer	FE 40	Steel
7	Plastic bag	PET 1	Plastics

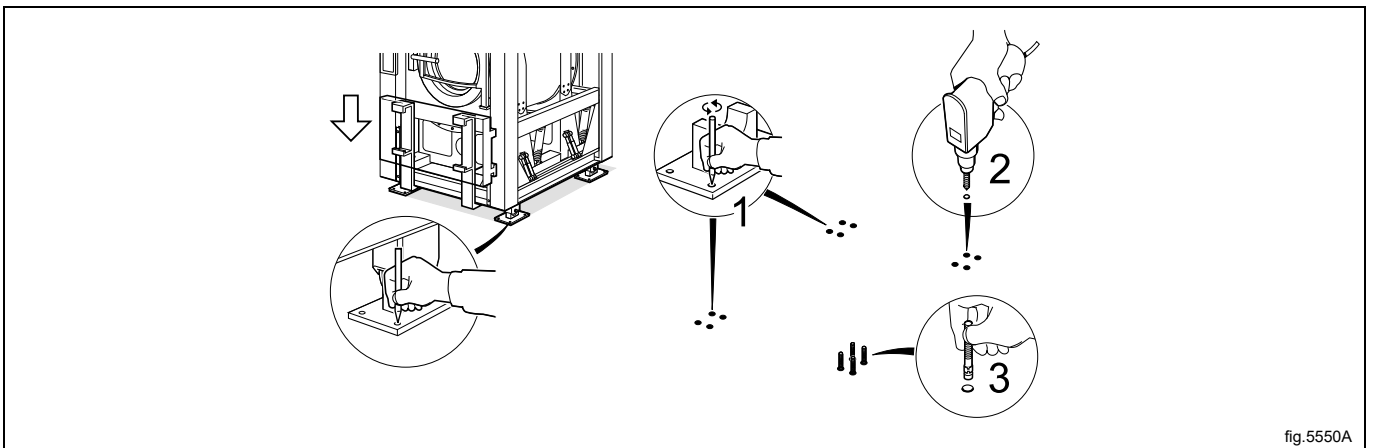
4.3 Siting

The machine must not be sited over an open floor drain. Check that the floor has an even surface and is in level. The machine should be positioned so that there is plenty of room for working, both for the user and service personnel. The figure shows minimum distance to a wall and/or other machines.



4.4 Mechanical installation

Put the machine in place. Mark out and drill the holes for fixing the feet. Hole diameter: 15 mm.



The following tables shows the correct drilling points.

Standard machines

	W4400H	W4600H	W4850H	W41100H
A	1325	1390	1640	1640
B	1445	1605	1635	1850
C	1160	1315	1370	1585
D	190	190	190	190
E	50	50	50	50
F	1310	1370	1610	1610
G	90	90	90	90
H	10	10	15	15

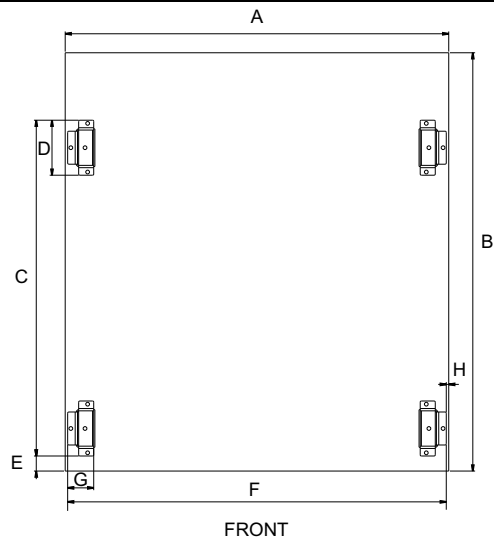
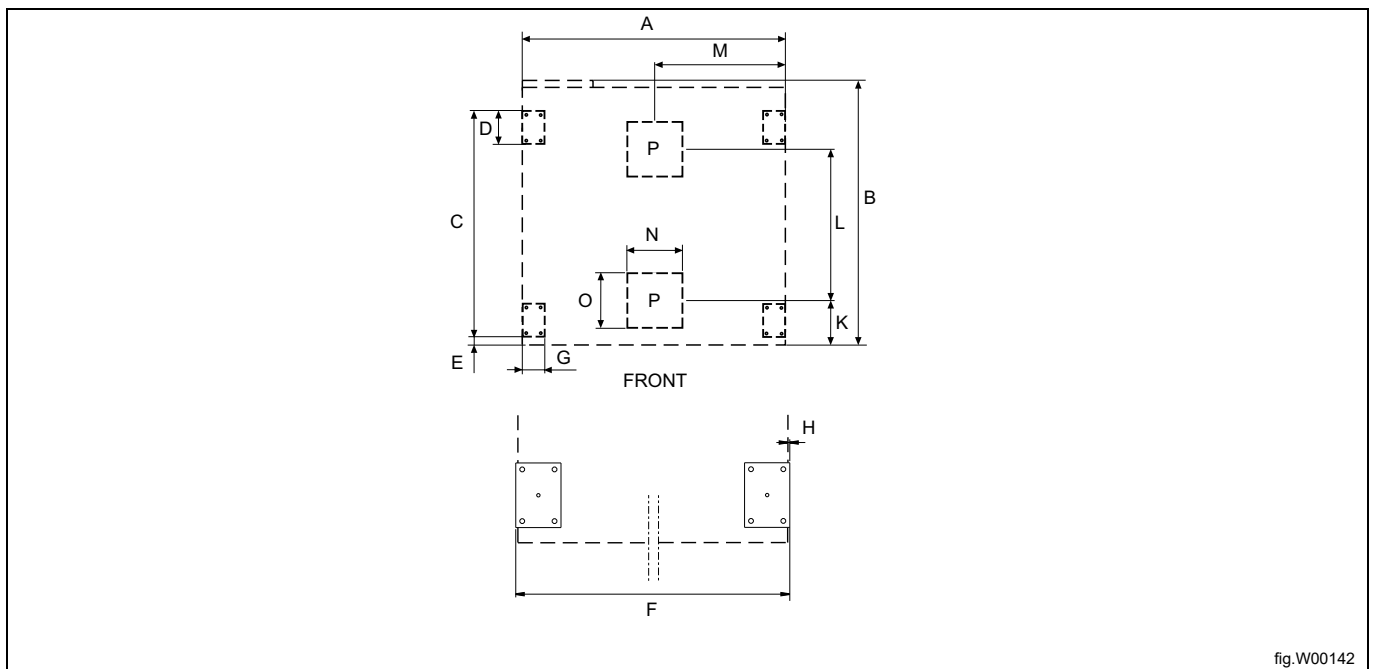


fig.W00141

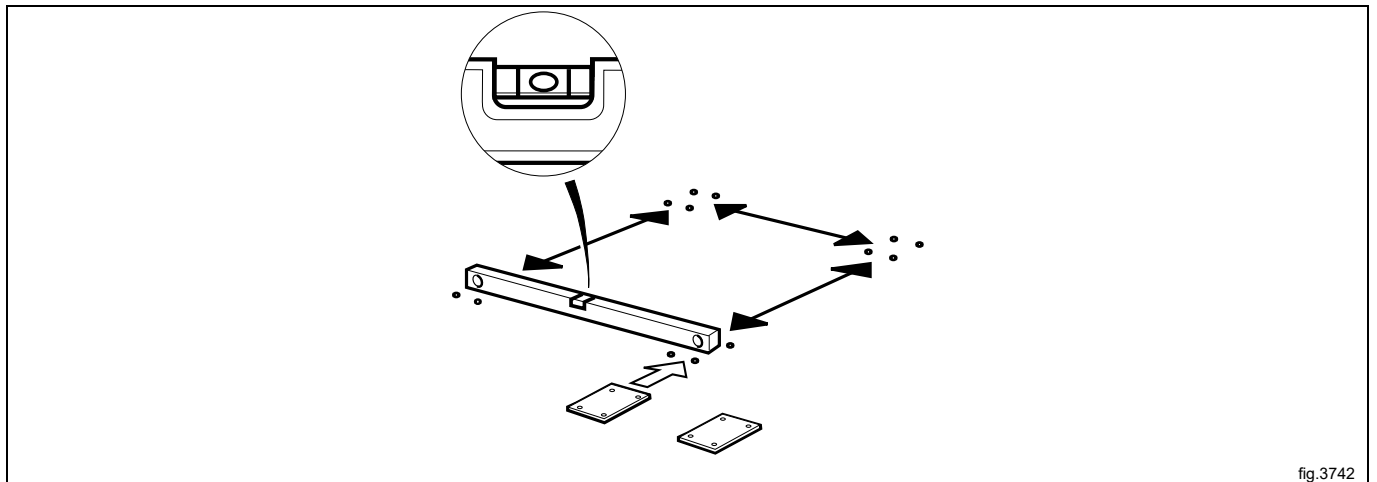
Machines with tilt or weighing equipment

	W4400H	W4600H	W4850H	W41100H
A	1325	1390	1640	1640
B	1445	1605	1635	1850
C	1170	1325	1380	1600
D	200	200	200	200
E	50	45	45	45
F	1340	1400	1640	1640
G	140	140	140	140
H	-10	-10	0	0
K	275	275	270	270
L	715	870	925	1140
M	665	695	820	820
N	335	335	335	335
O	335	335	335	335

P = tilting devices



Use a spirit level and, where necessary, the washers (or rectangular metal plates) supplied, to ensure that the floor mountings are in level.



Put the machine in place. Use a spirit level on suitable surfaces of the outer frame to check that the machine is in level. Also check that the machine is resting firmly on all four feet.

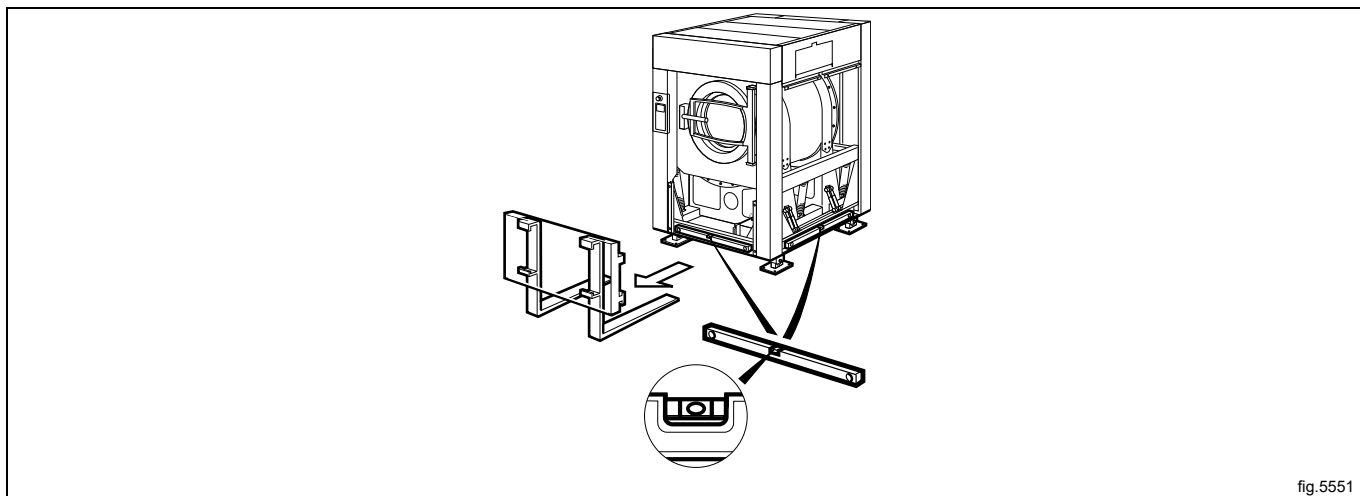


fig.5551

Bolt the machine feet to the floor. Then check again that the machine is resting firmly (without movement) and is in level.

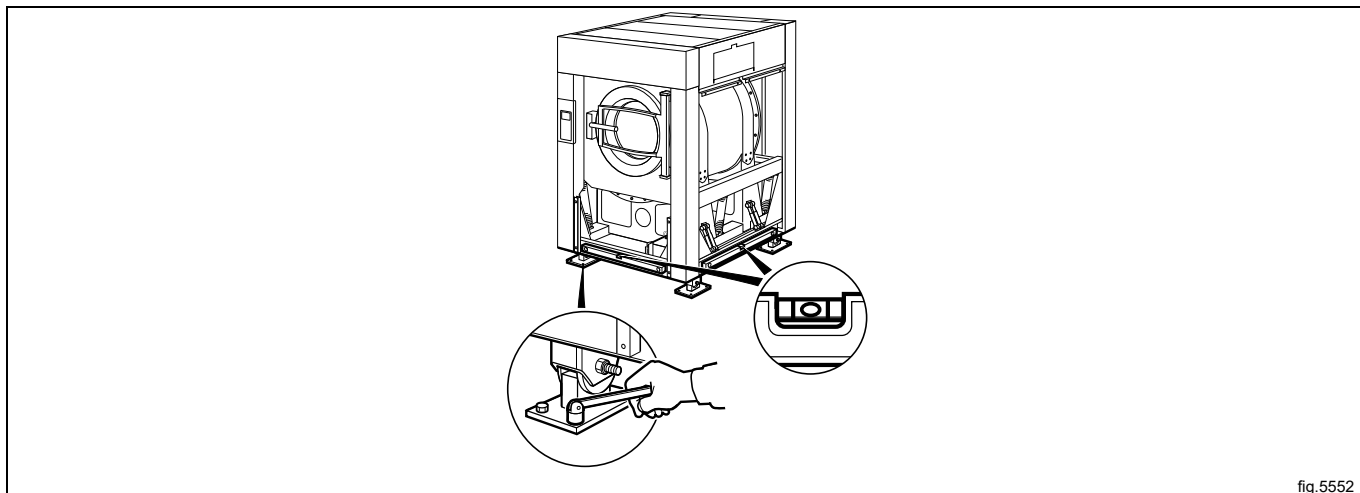


fig.5552

5 Water connection

All water intake connections to the machine should be fitted with manual shut-off valves and filters, to facilitate installation and servicing.

Water pipes and hoses should be flushed clean before installation.

The machine shall be connected with new water hoses. Re-used water hoses must not be used.

Hoses are to be of an approved type and grade and comply with IEC 61770.

The hoses should be rated for high pressure and for 2.5 MPa

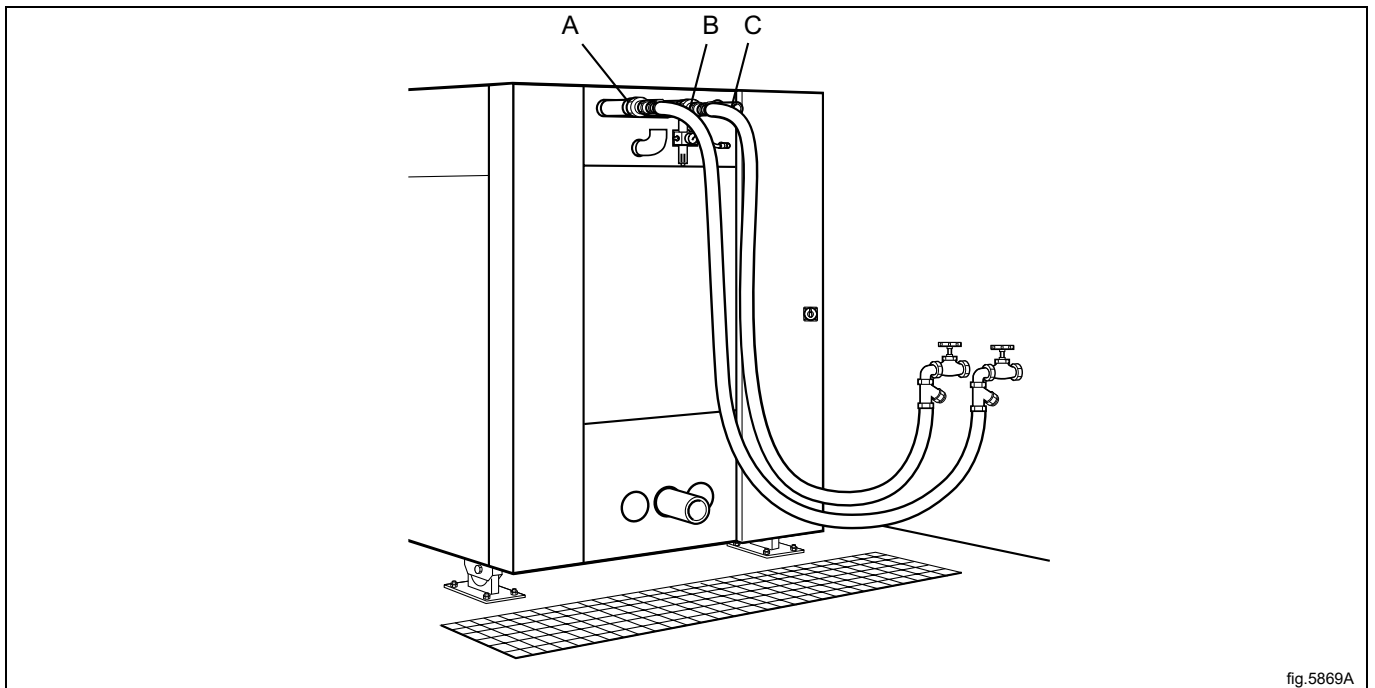
After installation hoses must hang in gentle arcs. (This is particularly important if the machine is fitted with a tilting function). Connections with pipes directly to the machine is not allowed.

Connect the water:

- Cold water (A)
- Hot water (B)
- Third water (C)

Connection size (W4400H, W4600H): DN 25 (1" BSP).

Connection size (W4850H, W41100H): DN 32 (1 1/4" BSP).



Water pressure:

Continuous operating pressure: 50–800 kPa (0.5-80 kp/cm²)

Maximum: 1000 kPa (10 kp/cm²)

Recommended: 200–600 kPa (2–6 kp/cm²)

Note!

If the water pressure is below the minimum value, the wash result can not be guaranteed for certain program.

FOR AUSTRALIA:

The appliance shall be installed in accordance with AS / NZS 3500.1

The appliance need to be installed using dual check valves.

Contact details for after sales service: service.au@electroluxprofessional.com

6 Steam connection

The supply hose must be equipped with a manual shut-off valve to facilitate installation and servicing. Fit filter to the manual shut-off valve.

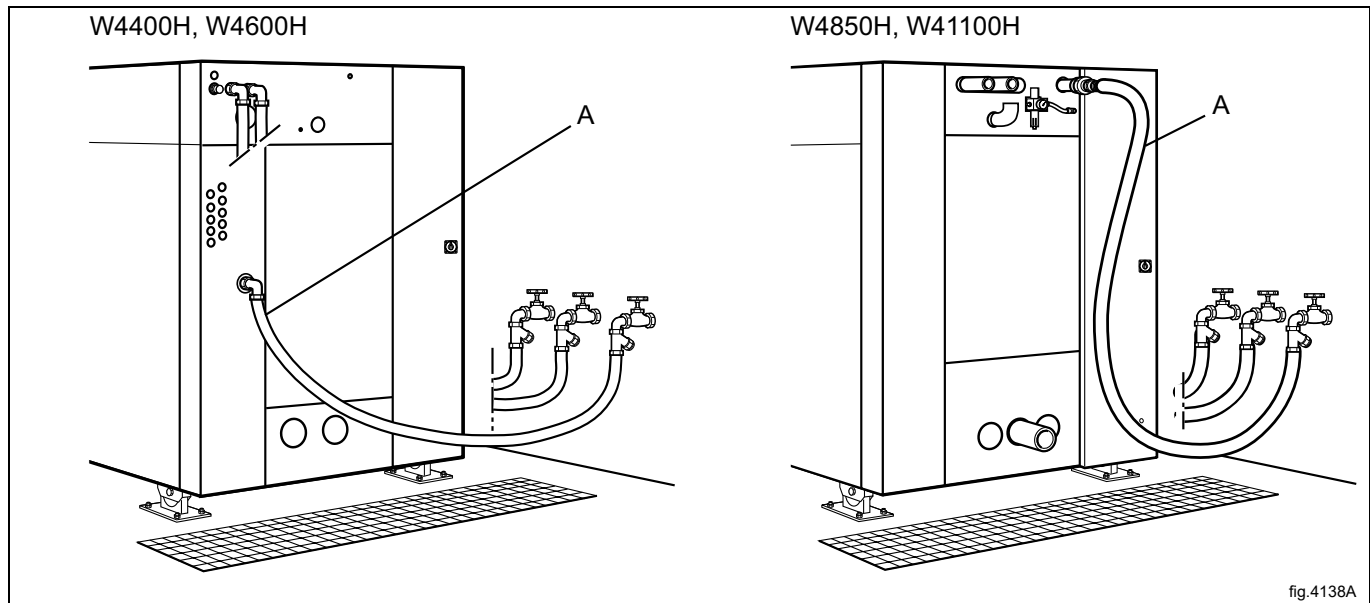
Connections with pipes directly to the machine are not allowed.

Connect the hose so it hangs in a gentle arc. (This is particularly important if the machine is fitted with a tilting function).

Connect an approved hose between filter and machine.

Connection size at filter (W4400H, W4600H): DN 20 (3/4" BSP).

Connection size at filter (W4850H, W41100H): DN 32 (1 1/4" BSP).



Steam pressure required:

Minimum: 50 kPa

Maximum: 800 kPa

Recommended: 300-600 kPa

Note!

A steam heated machine is only intended to use clean steam.

7 Compressed air connection

A pressure regulator complete with water separation device is to be installed on the machine.

When the machine is supplied, the angled coupling (A), hose (B) and bracket (C) for the pressure regulator will already be installed.

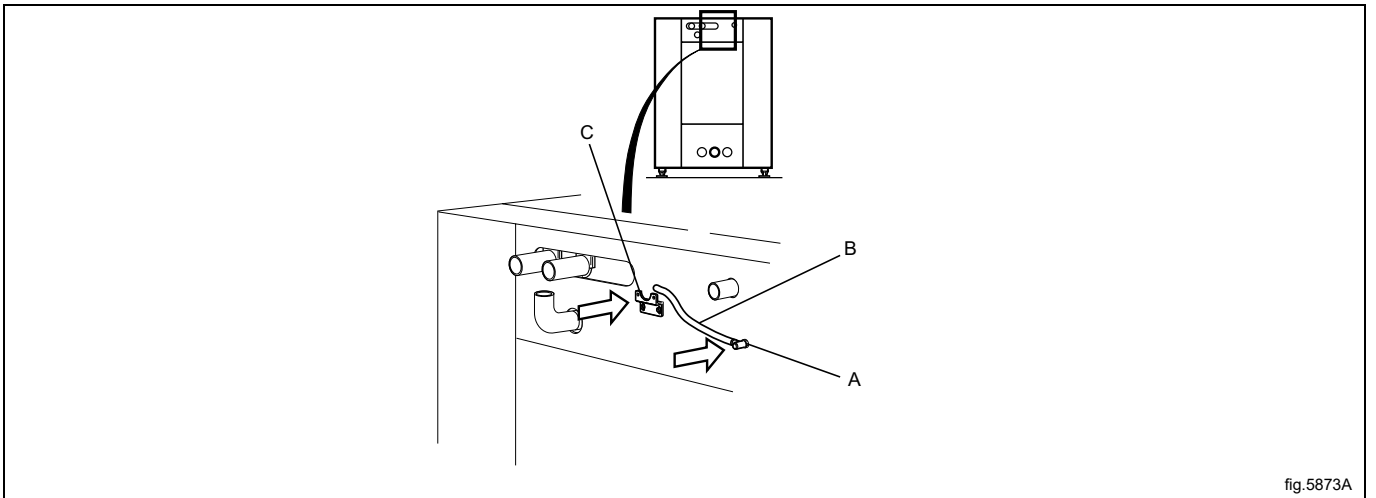


fig.5873A

Install the quick-connector (E) for the hose and a bushing (D) (for the hose from the compressed air supply) on the pressure regulator.

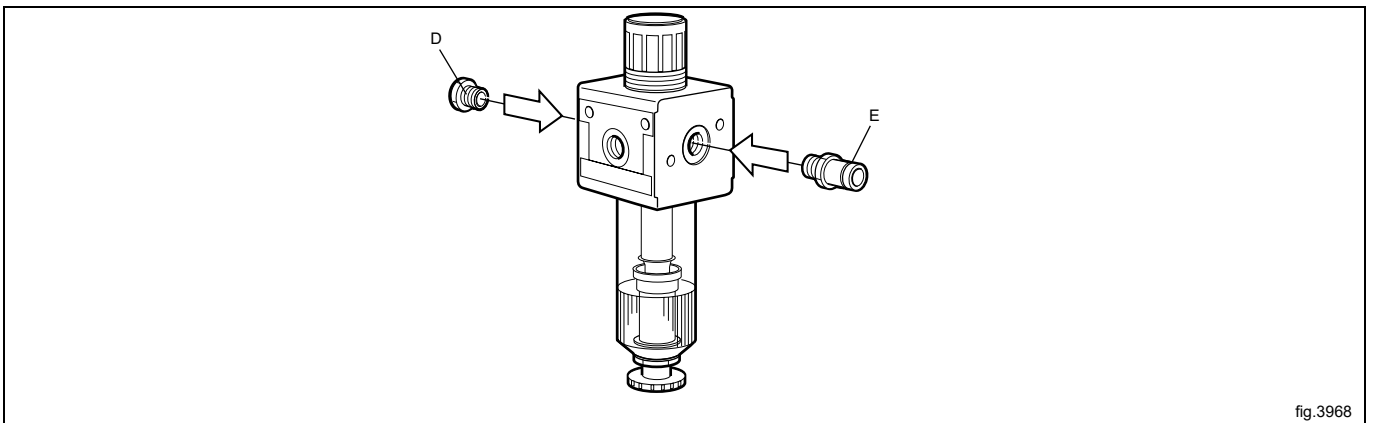


fig.3968

Install the pressure regulator on the bracket using two screws. Connect the compressed air hose using the quick-connector. Screw on the pressure gauge (F).

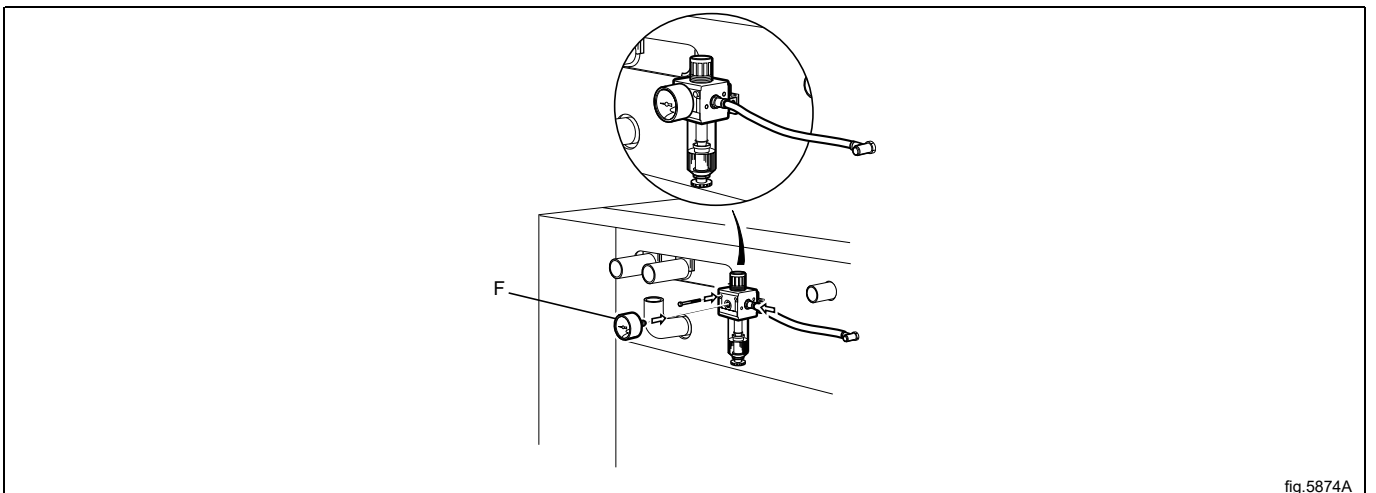


fig.5874A

Connect the hose from the compressed air supply to the bushing on the pressure regulator.

Connect the hose so it hangs in a gentle arc. (This is particularly important if the machine is fitted with a tilting function).

The connecting hose must be rated for a pressure of at least 1 MPa.

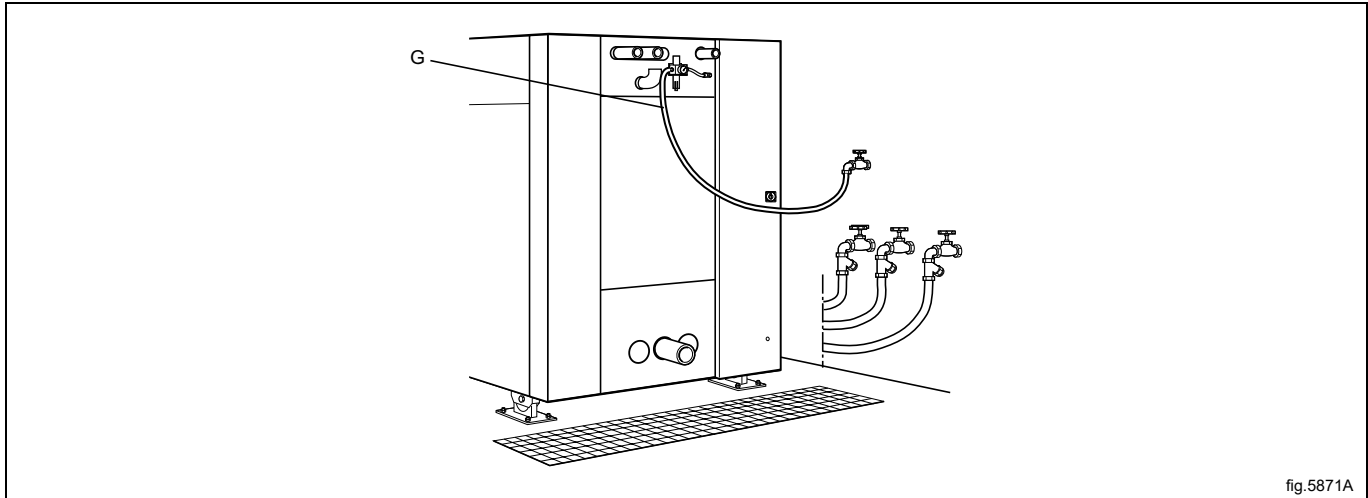


fig.5871A

8 Drain connection

The connector for the machine discharge (A) has an external diameter of 110 mm. The distance between the machine and the floor gully or drainage channel should be at least 250 mm.

Connect a hose or a pipe to the drain connection. Avoid sharp bends which may prevent proper draining. The hose or pipe should open into a floor gully, drainage channel or similar waste outlet. Make sure that the hose's function is unaffected if the machine is fitted with a tilting function.

If the machine has a second discharge, B and C must also be connected to the floor drain.

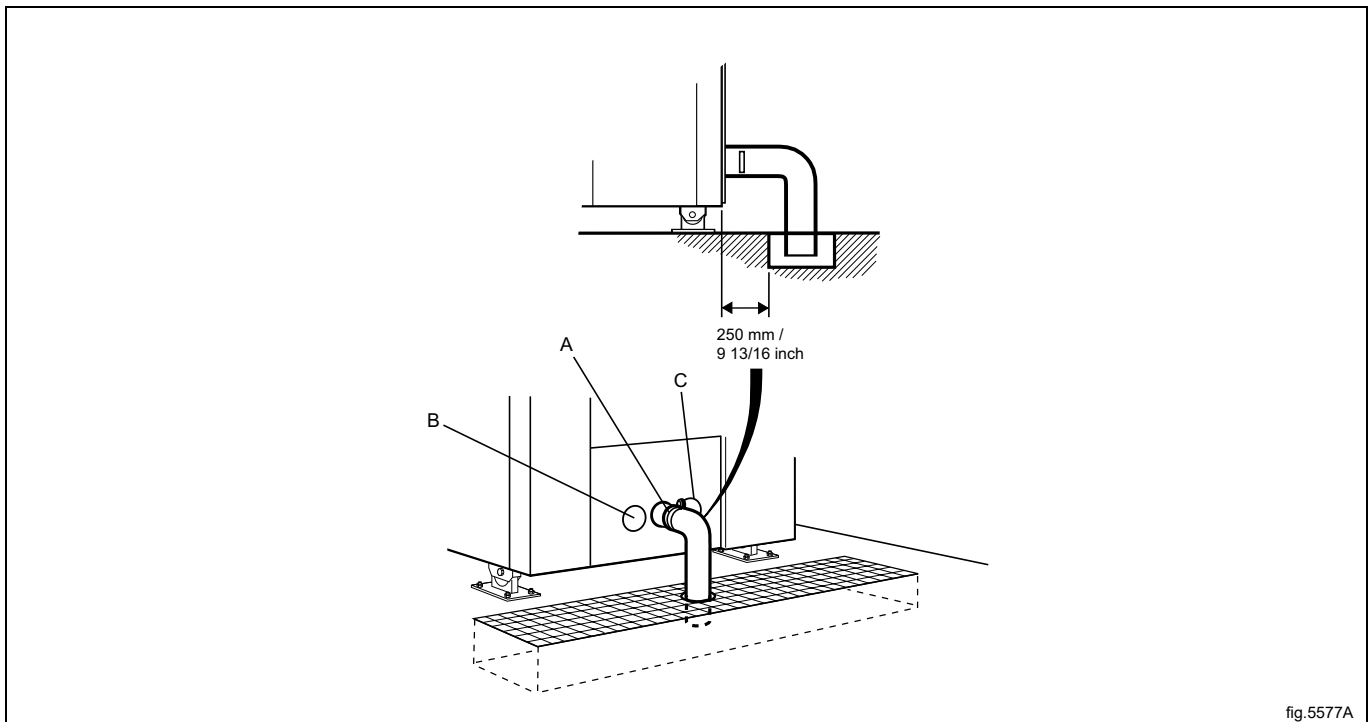


fig.5577A

9 Ventilation

The vent (A) from the machine drum is at the back of the machine. If bleach or other additives are used, the pipe should be extended and connected to a ventilation system.

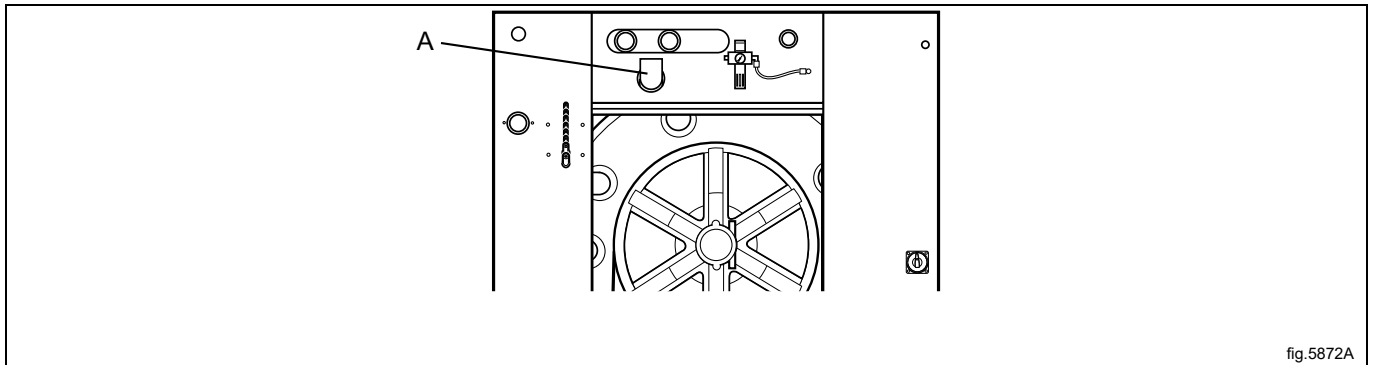


fig.5872A

10 Detergent supply injector

If only non-liquid detergents are to be used in the detergent supply injector, the following adaptation is recommended:

Drill two \varnothing 5 mm holes in the bottom of each cup to allow any water left to drain off.

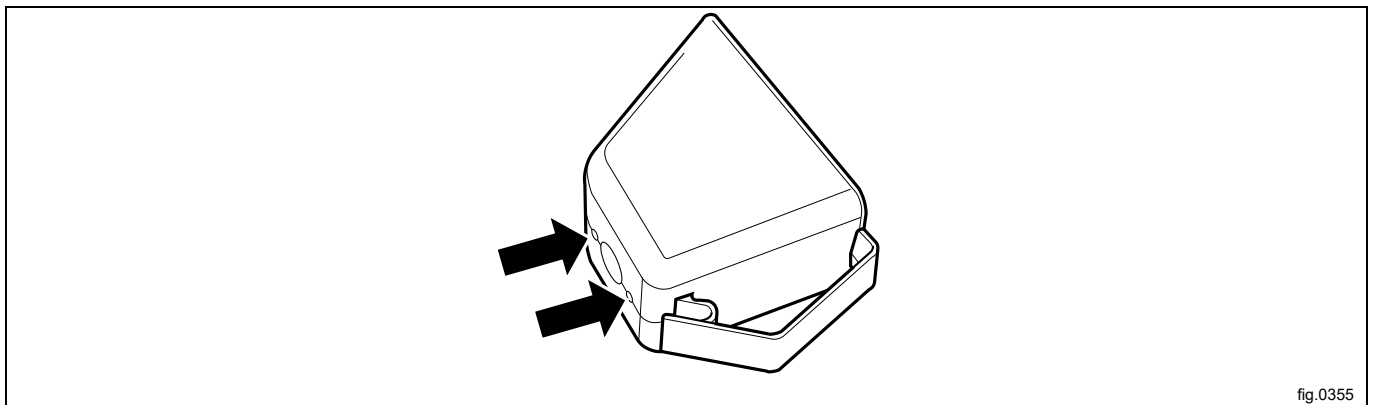


fig.0355

11 Connection of external dosing systems

11.1 Connection of the hoses

Note!

All external equipment which is connected to the machine must be CE/EMC-approved.

The machine is prepared for connection of external dosing systems or water re-use systems etc.

The connections are closed at delivery. Open any of the connections that shall be used by drilling a hole where the hoses shall be connected.

Note!

Make sure there is no burrs left after drilling. When removing burrs make sure burrs does not fall into the siphon breaker.

A = \varnothing 10 mm (outer dimension), drill \varnothing 5 mm

Use the enclosed template by putting it over the connection and drill in the hole.

B = \varnothing 16 mm (outer dimension), drill \varnothing 11 mm

C = \varnothing 20 mm (outer dimension), drill \varnothing 15 mm

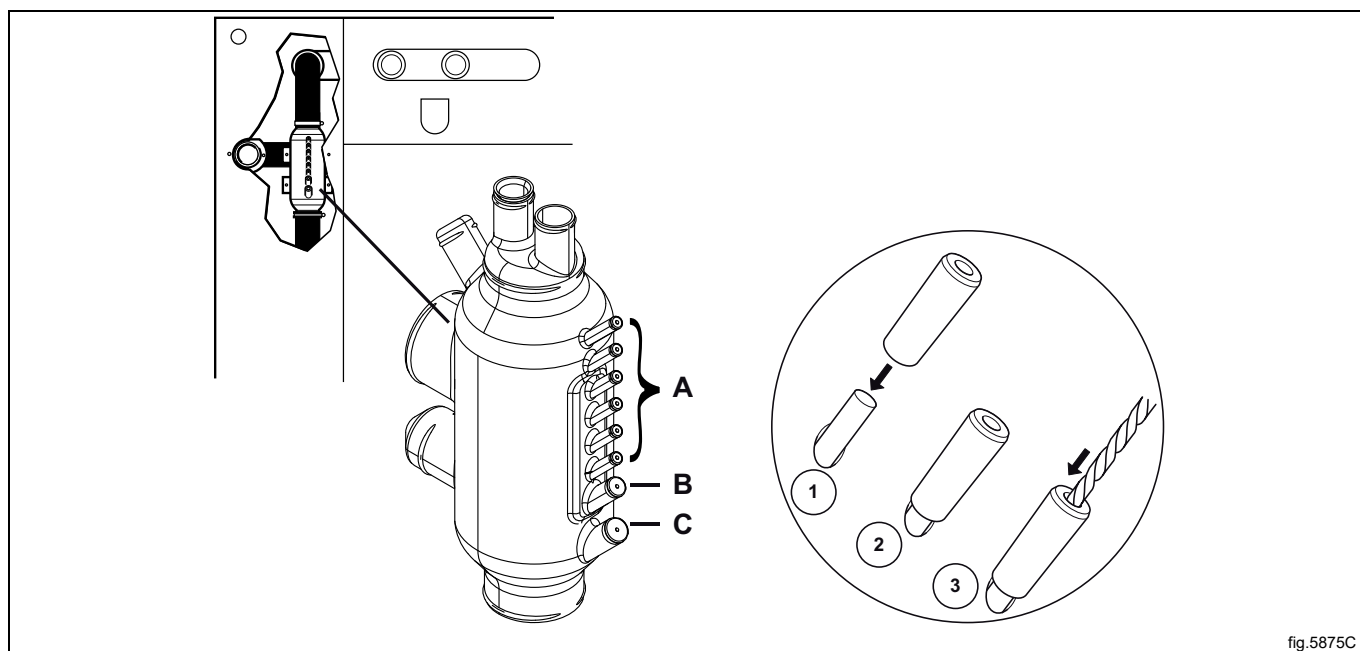


fig.5875C

11.2 Electrical connection of external dosing system



The electrical installation may only be carried out by qualified personnel.

The external dosage unit connects to the X146 via the upper terminal in the coin operation unit. There are a total of 8 outlets for the dosing of washing detergent. The number on the terminal corresponds to the numbering of the liquid detergent function when setting the wash program.

A common zero for all the outlets can be found on the X146 terminal "Neutral". 230 V max 0.5 A only intended for control voltage. If the machine is not fitted with a detergent container, then additional signals can be received from X140.

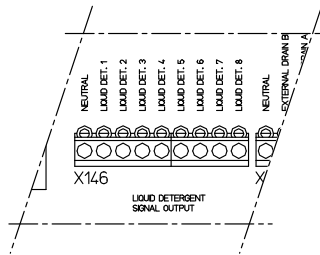


fig.6527

12 Electrical connection



The electrical installation may only be carried out by qualified personnel.



The electrical cable for the machine's power supply should hang in a gentle arc. (This is particularly important if the machine is fitted with a tilting or weighing function).

Connect the machine to a separate mains circuit with its own circuit breaker(s). The various ratings required for circuit breakers are shown in the table.

Connect the cable to the main switch inside the electrical cabinet at the back of the machine.

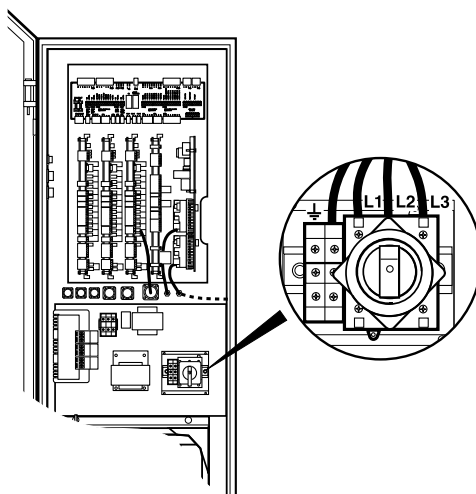


fig.6585

Check that the earth conductor is correctly connected.

The electrical cable used must be of a suitable size/rating. For the correct size/rating for this cable, check the relevant local or national regulations.

If an earth leakage circuit breaker (or RCD - residual current device) is used, it must be installed to protect the machine only.

Switching to 208V or 200–208V

Remove the middle panel at the back of the machine and remove the protective plate covering the transformer.

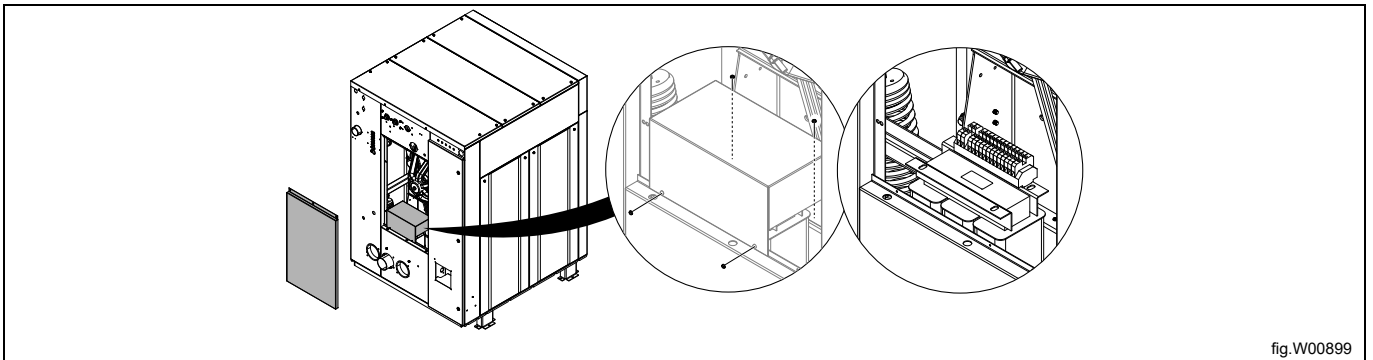


fig.W00899

Reconnect the primary power supply to the transformer as follows:

<p>W4400H</p>	<p>Move the cables from position A to position B for a 208 V supply. Move the cables from position A to position C for a 200 V supply. The other cables are not changed.</p>	
<p>W4600H</p>	<p>Move the cables from position A to position B for a 200-208 V supply. The other cables are not changed.</p>	
<p>W4850H W41100H</p>	<p>Move the cables from position A to position B for a 200-208 V supply. The other cables are not changed.</p>	

12.1 Electrical connections

W4400H

Heating alternative	Main voltage	Hz	Heating power kW	Total power kW	Recommended fuse A
Electric heated	220-240V 3 ~	50/60	36.0	38.0	100
	380-415V 3 ~	50/60	32.8	34.8	63
	440/480V 3 ~	50/60	36.0	38.0	63/50
	220V 3 ~	50/60	32.9	35.0	100
	200V 3 ~	50/60	27.2	85.6	100
	400V 3 ~	50	36.0	38.0	63
Non heated/Steam heated	220-240V 3 ~	50/60	-	4.5	20
	380-480V 3 ~	50/60	-	4.5	10
	200V 3 ~	50/60	-	4.5	16
	400V 3 ~	50	-	4.5	10

W4600H

Heating alternative	Main voltage	Hz	Heating power kW	Total power kW	Recommended fuse A
Electric heated	220-240V 3 ~	50/60	38.4/54.0	41.0/56.6	125/160
	380-415V 3 ~	50/60	38.4/54.0	41.0/56.6	63/100
	440/480V 3 ~	50/60	38.4/54.0	41.0/56.6	63/80
	220V 3 ~	50/60	49.4	52.0	160
	200V 3 ~	50/60	29.0/40.8	31.6/43.4	100/160
	400V 3 ~	50	38.4/54.0	41.0/56.6	63/100
Non heated/Steam heated	220-240V 3 ~	50/60	-	4.8	20
	380-480V 3 ~	50/60	-	4.8	16
	200V 3 ~	50/60	-	4.5	20
	400V 3 ~	50	-	4.5	10

W4850H

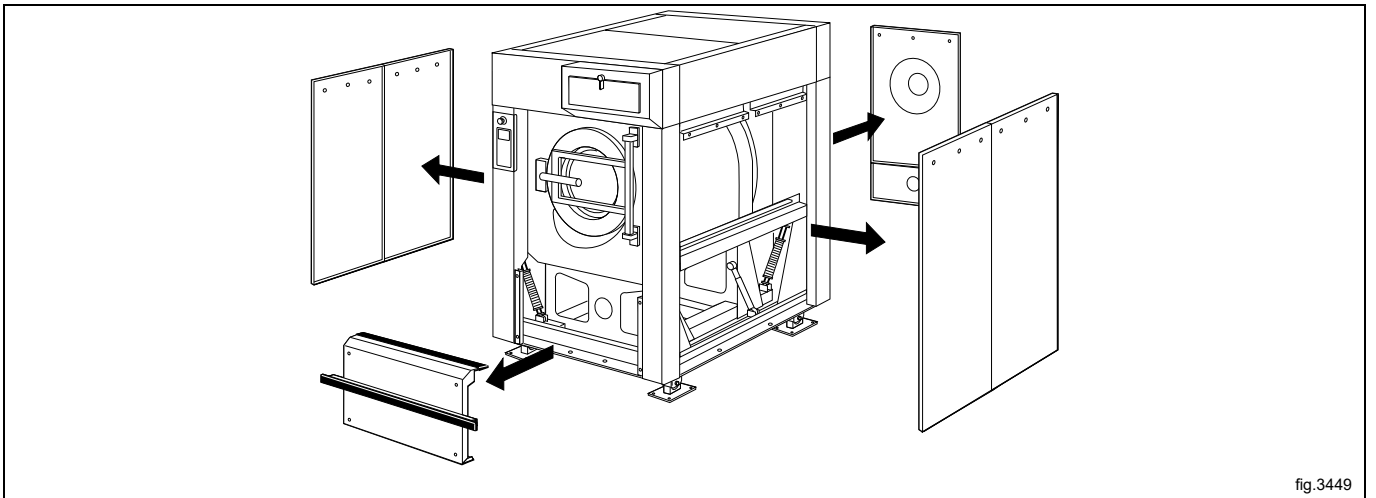
Heating alternative	Main voltage	Hz	Heating power kW	Total power kW	Recommended fuse A
Non heated/Steam heated	220-240V 3 ~	50/60	-	6.3	25
	380-480V 3 ~	50/60	-	6.3	16
	200V 3 ~	50/60	-	6.3	35
	400V 3 ~	50	-	6.3	16

W41100H

Heating alternative	Main voltage	Hz	Heating power kW	Total power kW	Recommended fuse A
Non heated/Steam heated	220-240V 3 ~	50/60	-	6.3	25
	380-480V 3 ~	50/60	-	6.3	16
	200V 3 ~	50/60	-	6.3	35
	400V 3 ~	50	-	6.3	16

13 Installation of machines with tilt function

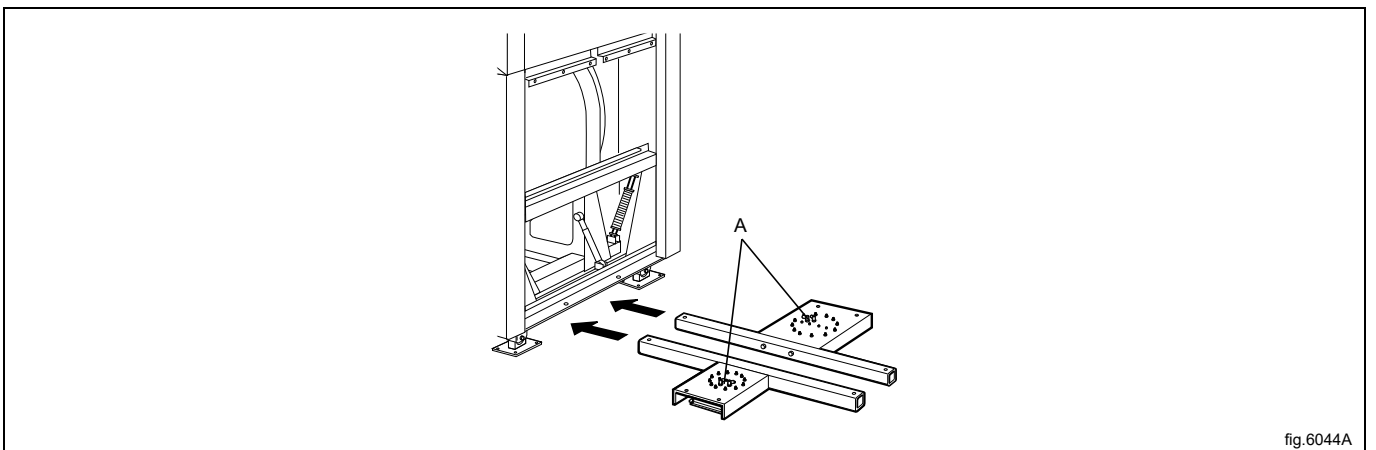
Remove the side panels, the rear panel and the lower front panel.



For machines with tilt both forwards and backwards

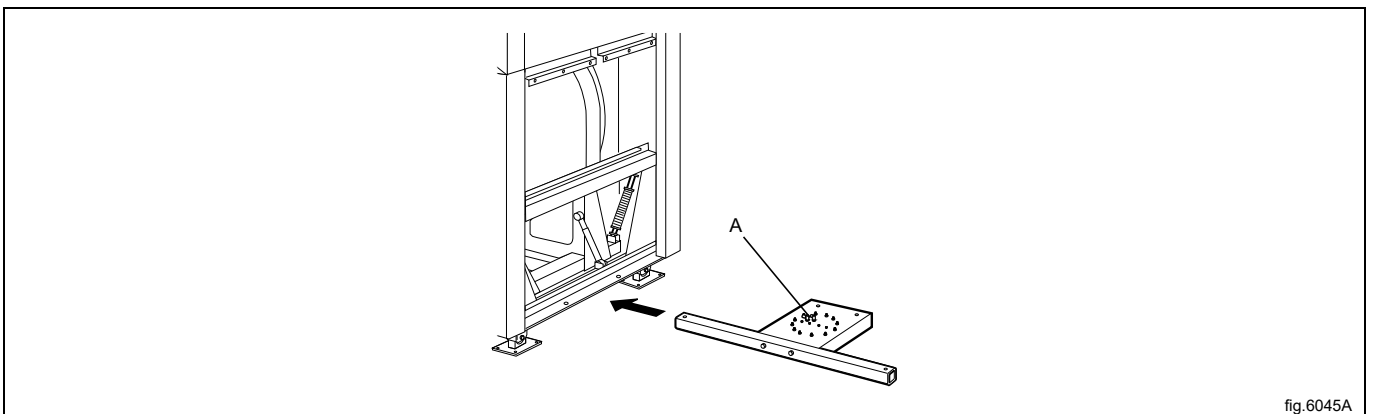
Insert the two cylinder units (A) from the side of the machine underneath the machine frame.

If there is vinyl floor-covering on the floor: To protect the floor from wear, a sheet of stainless steel should be laid beneath each cylinder.



For machines with forward tilt only

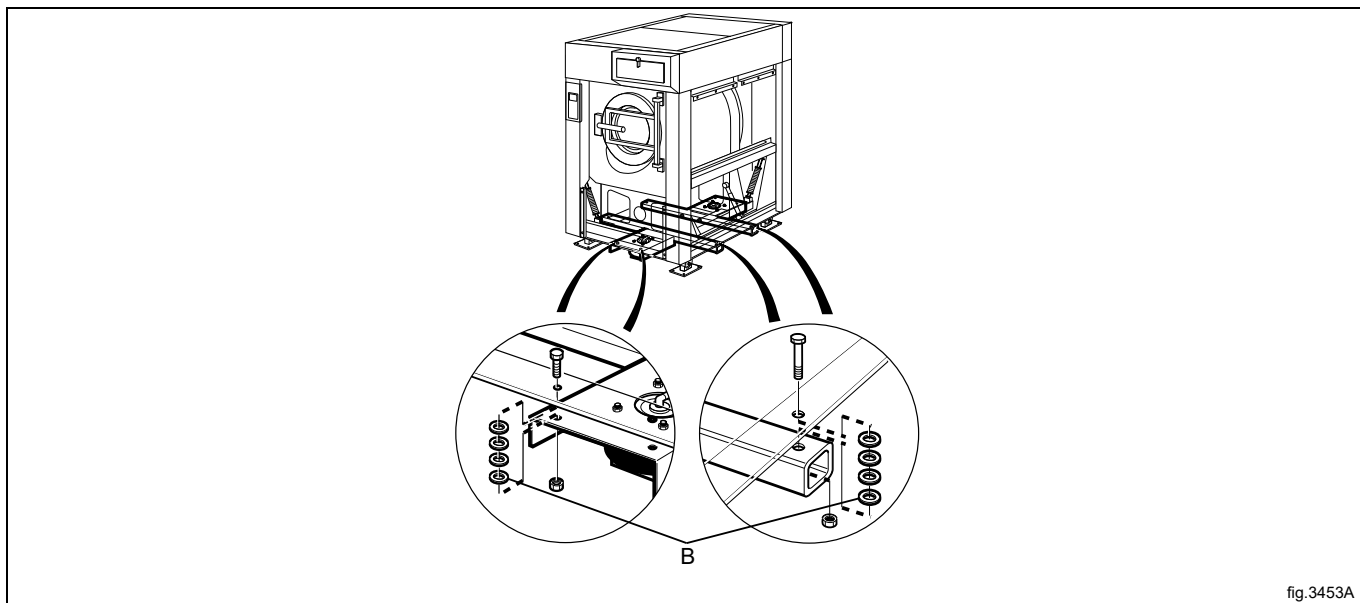
Insert the cylinder unit (A) from the side of the machine underneath the rear section of the machine frame.



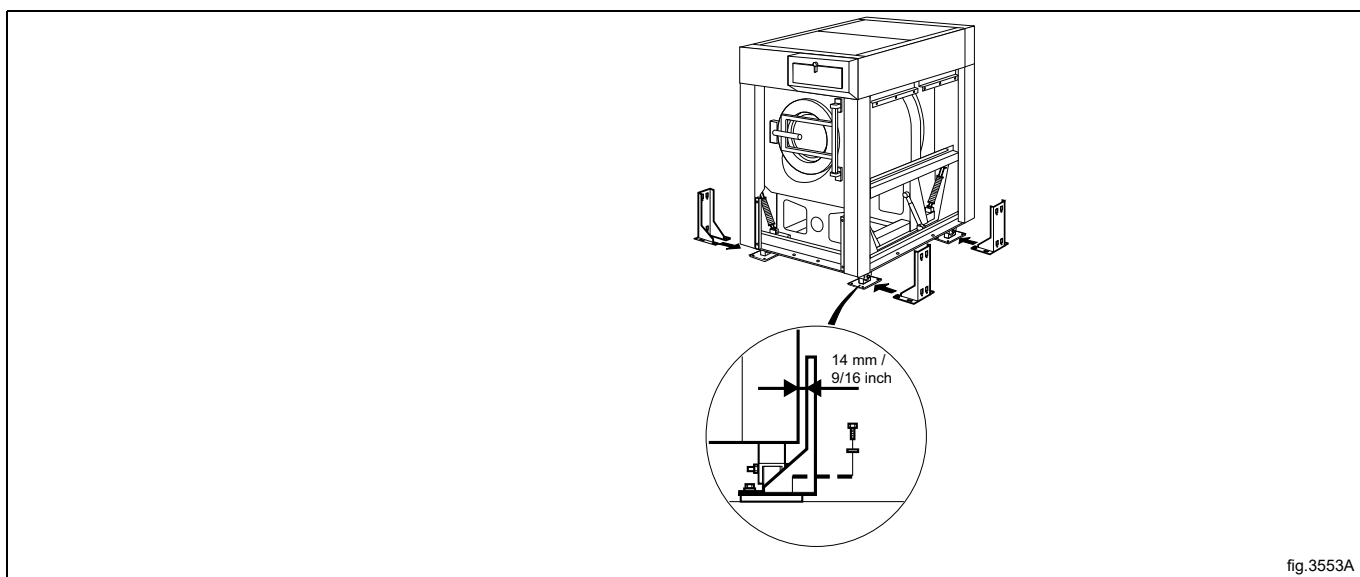
Secure the cylinder units using four bolts and nuts.

Note!

It is important to fit four washers (B) (each 5 mm thick) between each cylinder unit and the machine frame.



Fit the four corner posts, one for each corner of the machine, using the bolts which secure the machine feet to the floor. Adjust the clearance between the upper part of each corner post and the machine so it is 14 mm.



For machines with tilt both forwards and backwards

Fit two pneumatic position sensors (C) on two of the machine feet: at left-hand front and right-hand rear, diagonally opposed. The position sensors are to be fitted using the inner two fastening bolts of the feet, mounted on the corner posts just installed.

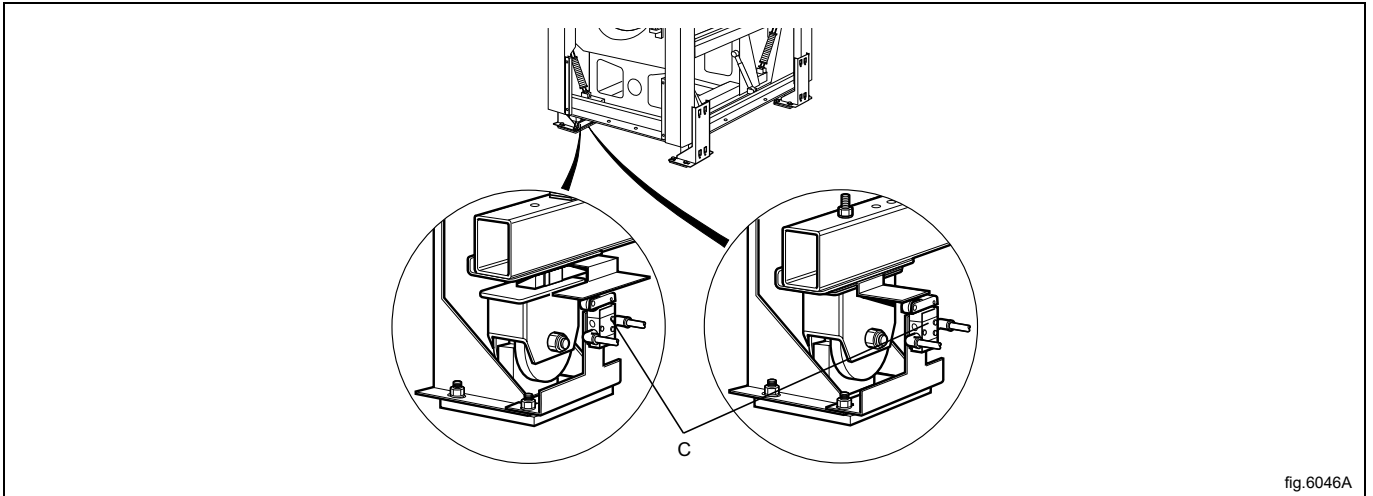


fig.6046A

The compressed air lines which are to be connected to the air bellows and position sensors are supplied bundled on the machine rear.

Connect the lines to the air bellows and pressure sensors according to the table below. These lines do not need to be fastened to the frame, but can be laid on the floor underneath the machine.

The air lines are marked as follows:

ID marking	Connect to
1	Rear air bellows
2	Front air bellows
3	Rear pressure sensor, connection 1
4	Rear pressure sensor, connection 2
5	Front pressure sensor, connection 1
6	Front pressure sensor, connection 2

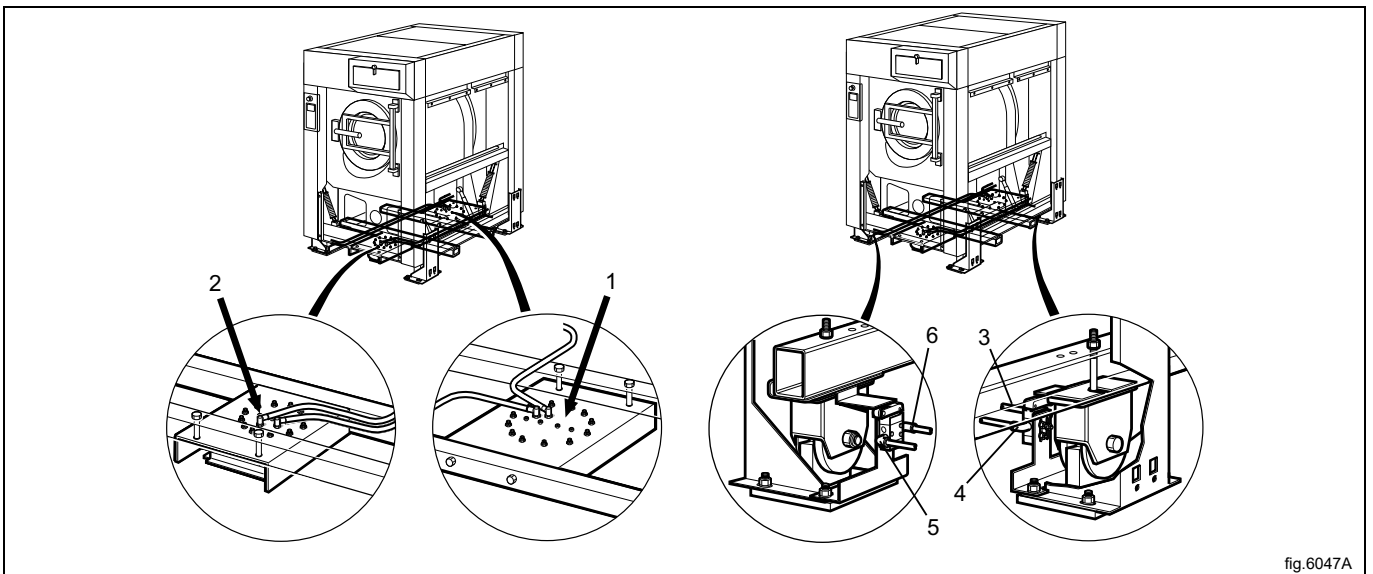


fig.6047A

Note that the tubes for the pressure sensors must be connected correctly.

- Connection 1 – same side as data plate.
- Connection 2 – same side as the inset white plate.

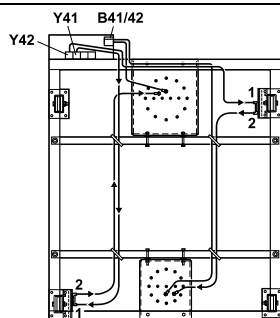


fig.6026

For machines with forward tilt only

The compressed air line to be connected to the air bellows is supplied bundled on the machine rear. Connect this line to the connection nipple on the top of the bellows.

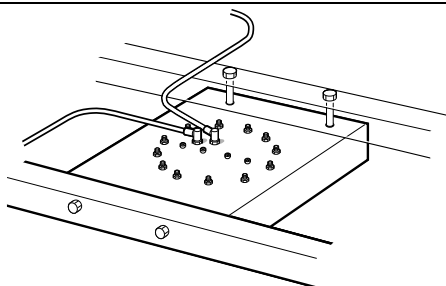
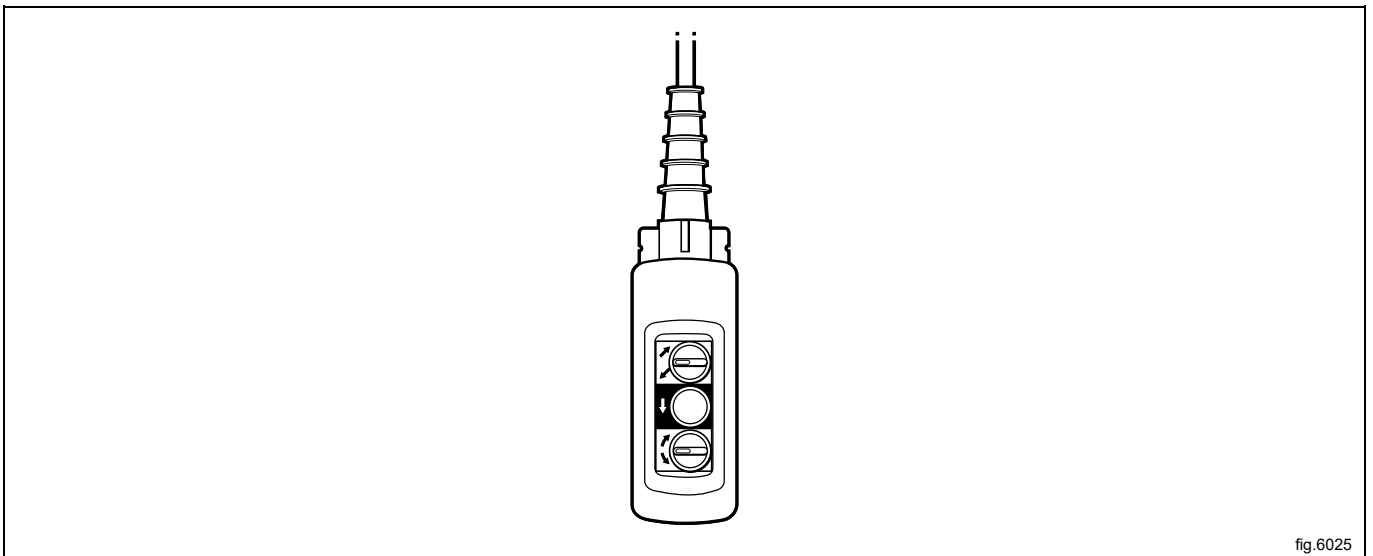


fig.6049

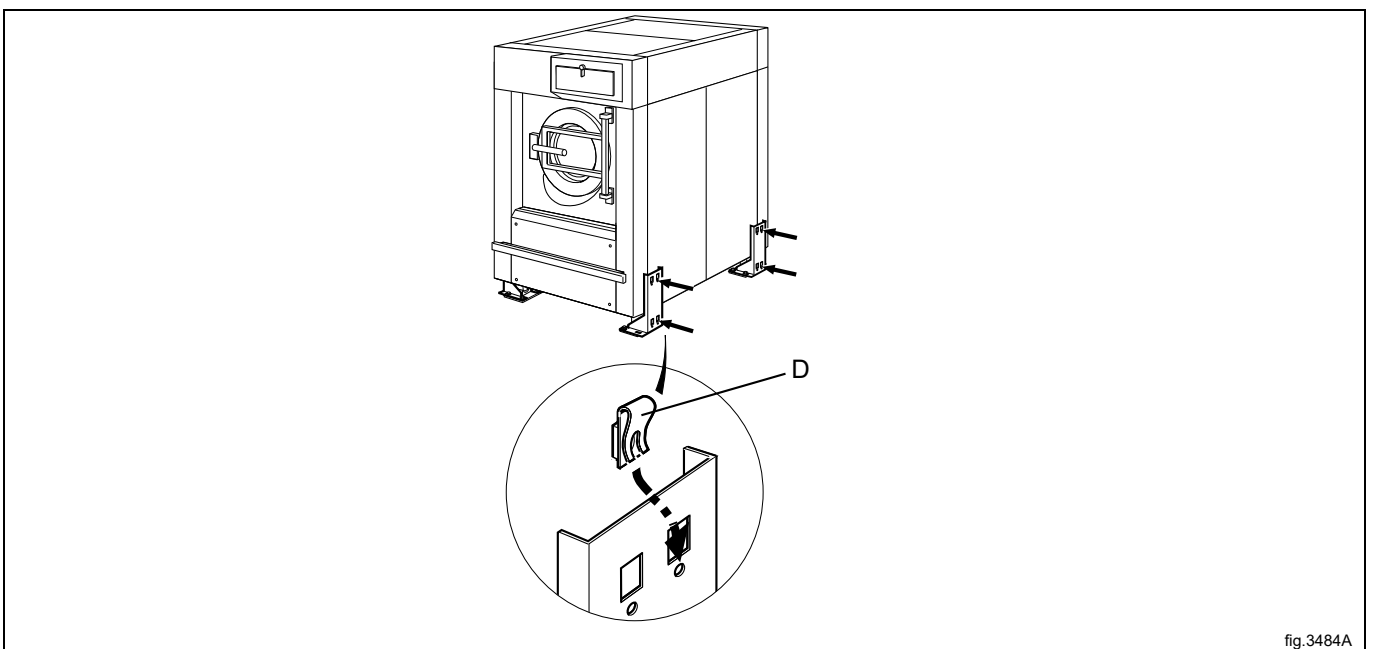
Before refitting the panels, test the tilt function:

- Switch on the machine electrical switch(es) and turn on the compressed air supply.
- Open the door and lock it open.
- The uppermost switch on the tilt control unit tilts the machine either backwards (turn switch counter clockwise) or forwards (turn switch clockwise). The middle switch returns the machine to its normal (upright) position. These switches must be kept actuated throughout the entire tilt movement. If the switch is released, the tilt movement will halt and the machine will stop in its position.
- The bottom switch on the control unit rotates the drum either clockwise or counter clockwise.
- Check that the machine cannot tilt in the opposite direction until it has returned to its normal position after an earlier tilt.
- Check for any possible leaks from compressed air lines or from bellows and sensors.

If the test is OK, refit the machine panels/covers.



Fit two nut clips (D) to each corner post. The nut clips slot into the rear grooves on the posts.



Fit the rubber dampers (E) and sleeves (F) to the front end of each side panel strip. Washer (G), nut (H), screw (I).

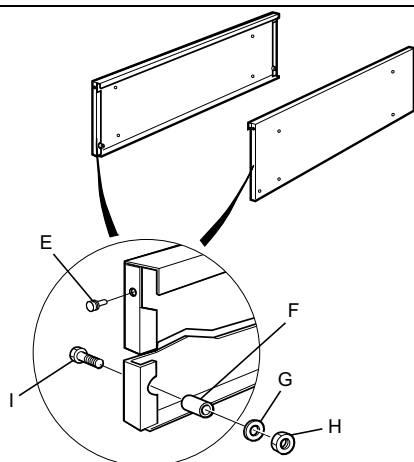


fig.3485A

Position and fasten the side panel strips.

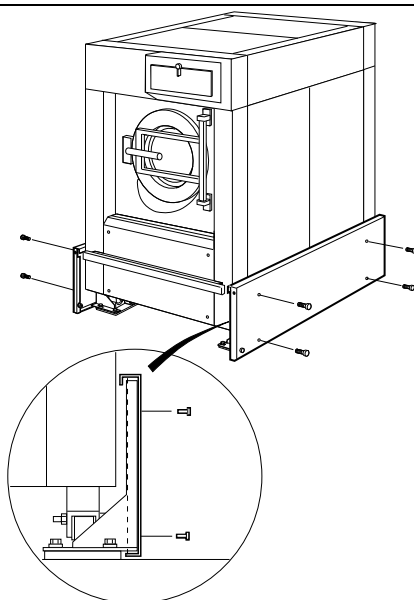


fig.3486

Fit the two counterweights to the front panel strip. The bolt heads should be at the bottom.

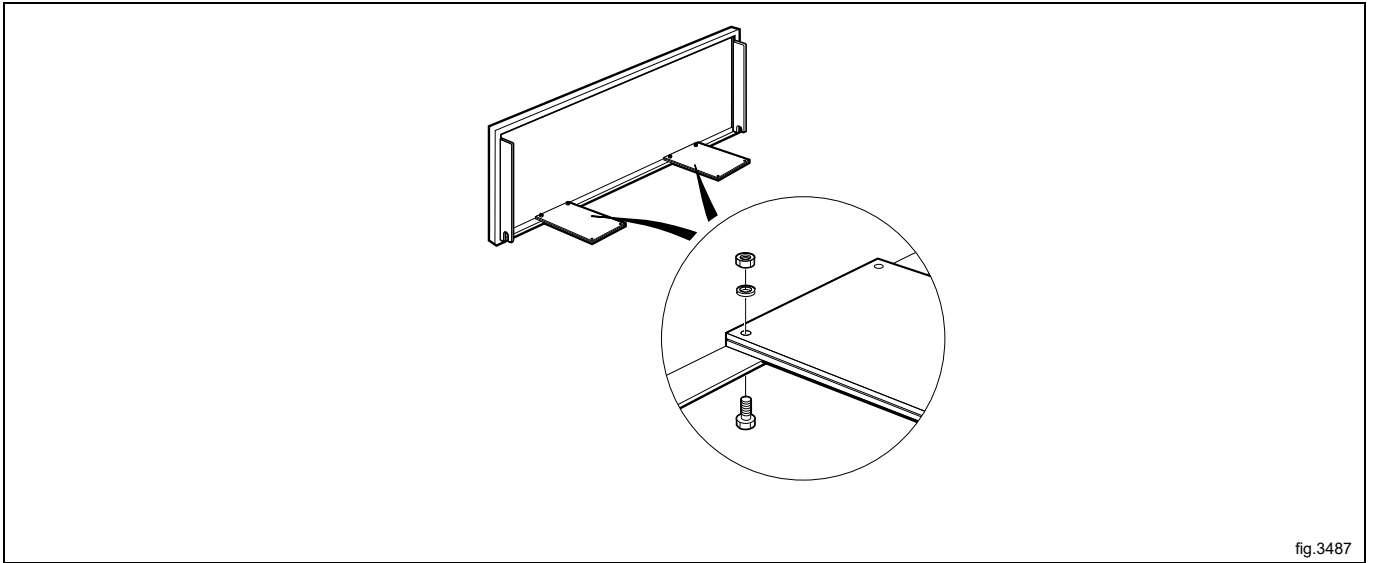


fig.3487

Hang the front panel strip on the two sleeves fitted to the side strips. Protective plates are mounted on the front and rear.

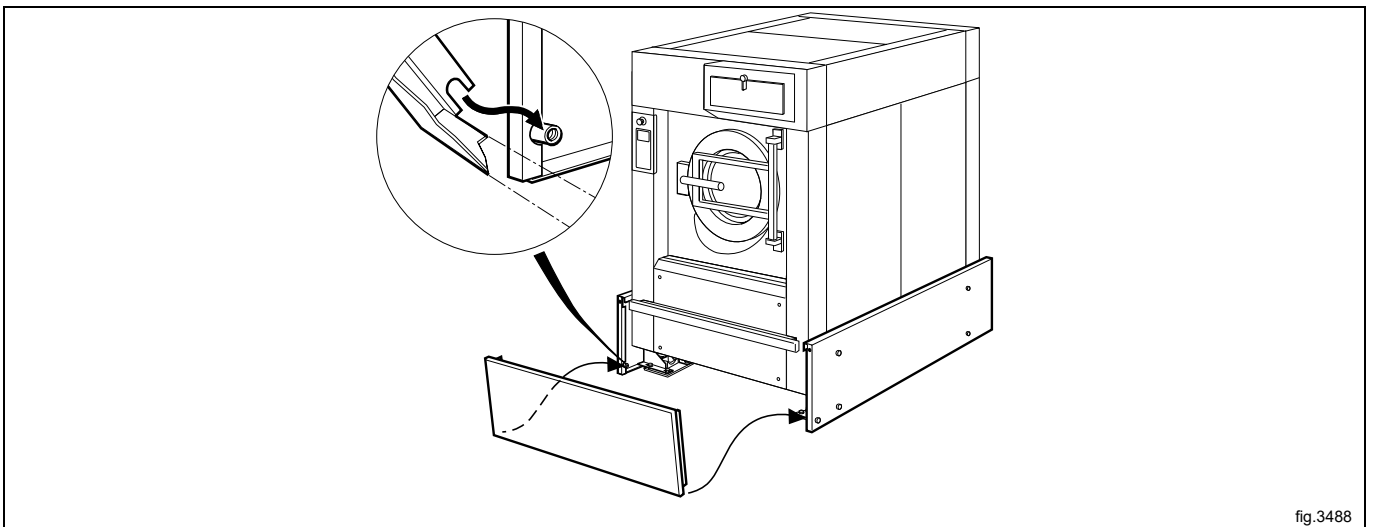


fig.3488

14 Disposal information

14.1 Disposal of appliance at end of life

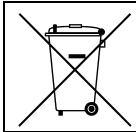
Before disposing of the machine, make sure to carefully check its physical condition, and in particular any parts of the structure that can give or break during scrapping.

The machine's parts must be disposed of in a differentiated way, according to their different characteristics (e.g. metals, oils, greases, plastic, rubber, etc.).

Different regulations are in force in the various countries, therefore comply with the provisions of the laws and competent bodies in the country where scrapping takes place.

In general, the appliance must be taken to a specialised collection/scrapping centre.

Dismantle the appliance, grouping the components according to their chemical characteristics, remembering that the compressor contains lubricant oil and refrigerant fluid which can be recycled, and that the refrigerator and heat pump components are special waste assimilable with urban waste.



The symbol on the product indicates that this product should not be treated as domestic waste, but must be correctly disposed of in order to prevent any negative consequences for the environment and human health. For further information on the recycling of this product, contact the local dealer or agent, the Customer Care service or the local body responsible for waste disposal.




Note!

When scrapping the machine, any marking, this manual and other documents concerning the appliance must be destroyed.

14.2 Disposal of packing

The packing must be disposed of in compliance with the current regulations in the country where the appliance is used. All the packing materials are environmentally friendly.

They can be safely kept, recycled or burned in an appropriate waste incineration plant. Recyclable plastic parts are marked as following examples.

	Polyethylene: <ul style="list-style-type: none"> • Outer wrapping • Instructions bag
	Polypropylene: <ul style="list-style-type: none"> • Straps
	Polystyrene foam: <ul style="list-style-type: none"> • Corner protectors



Electrolux Professional AB
341 80 Ljungby, Sweden
www.electroluxprofessional.com