

Installation manual

Drying Cabinet

DC6-10HP



Electrolux
PROFESSIONAL

Contents

Contents

1	Safety Precautions	5
1.1	General safety information.....	5
1.2	Symbols.....	5
2	Technical data.....	6
2.1	Dimensions drawing.....	6
2.2	Technical data	7
3	Master and Slave heat pumps	8
4	Unpacking	9
4.1	Installation kit	9
5	Weight reduction to facilitate installation	10
5.1	Remove the hanger section	10
5.2	Remove the doors.....	11
5.3	Remove the dehumidifier units.....	13
6	Positioning/Attachment	16
6.1	Ventilate the room.....	16
6.2	Horizontal adjustment	16
6.3	Attachment to the wall	17
7	Connection to floor drain	18
8	Electrical connection.....	19
8.1	Connecting to an external payment system.....	20
8.2	Restore factory settings.....	20
8.3	Alternative electrical connection.....	20
8.4	Connection to reservation system	21
9	Language setting.....	22
10	Function check.....	23
11	Disposal information	24
11.1	Disposal of appliance at end of life	24
11.2	Disposal of packing.....	24

The manufacturer reserves the right to make changes to design and component specifications.

1 Safety Precautions

WARNING. This appliance is intended only for drying textiles washed in water.

DO NOT MODIFY THIS APPLIANCE.

Servicing shall be carried out only by authorized personnel.

Only authorized spare parts shall be used.

When performing service or replacing parts, the power must be disconnected.

A-weighted emission sound pressure level at workstations: <70 dB

Additional requirements for the following countries: AT, BE, BG, HR, CY, CZ, DK, EE, FI, FR, DE, GR, HU, IS, IE, IT, LV, LT, LU, MT, NL, NO, PL, PT, RO, SK, SI, ES, SE, CH, TR, UK:

- This appliance can be used in public areas.
- This appliance can be used by children aged from 8 years and above and persons with reduced physical, sensory or mental capabilities or lack of experience and knowledge if they have been given supervision or instruction concerning use of the appliance in a safe way and understand the hazards involved. Children shall not play with the appliance. Cleaning and user maintenance shall not be made by children without supervision.

Additional requirements for other countries:





- This appliance is not intended for use by persons (including children) with reduced physical, sensory or mental capabilities, or lack of experience and knowledge, unless they have been given supervision or instruction concerning use of the appliance by a person responsible for their safety. Children should be supervised to ensure that they do not play with the appliance.

1.1 General safety information

Do not hose down the machine with water.

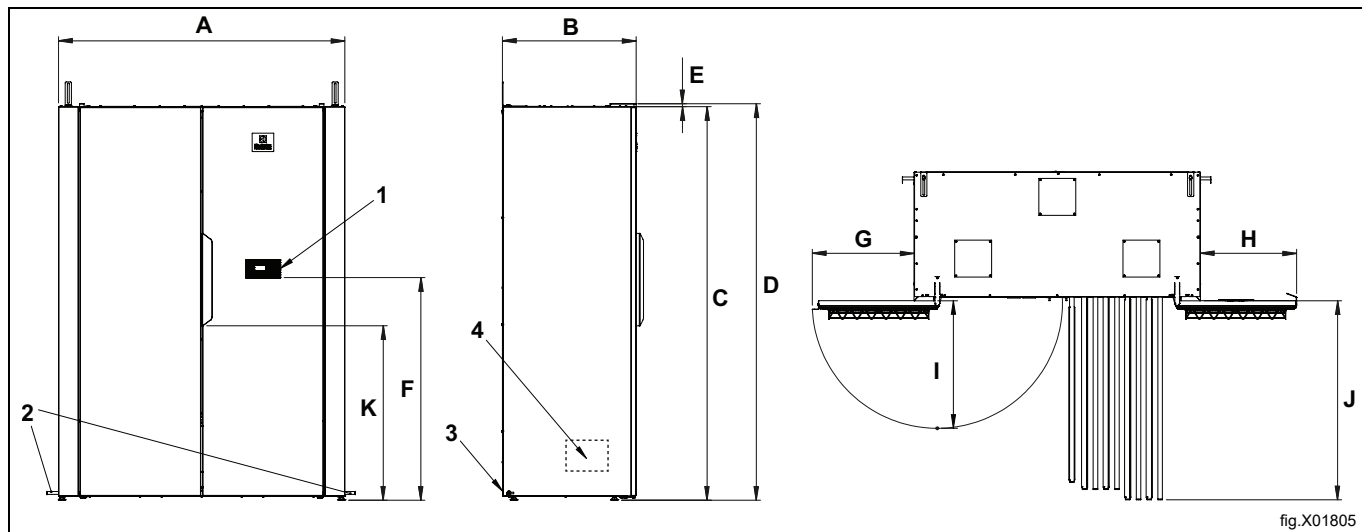
In order to prevent damage to the electronics (and other parts) that may occur as the result of condensation, the machine should be placed in room temperature for 24 hours before being used for the first time.

1.2 Symbols

	Caution
	Caution, hot surface
	Read the instructions before using the machine.
	Be careful. The drying cabinet is top heavy and can tip over easily.

2 Technical data

2.1 Dimensions drawing



	A	B	C	D	E	F	G	H	I	J	K
mm	1395	652	1917	1931	14	1078	496	468	621	970	850

1	Control panel
2	Condensation nipple \varnothing 10 mm, hose 3 m included
3	Connecting cable 2.5 m included
4	Condense water pump, 0.5 m pressure height

2.2 Technical data

Capacity:	kg of laundry	10
Drainage capacity:	g/min*	55
Electrical connection:		220-240V 1 AC 50-60 Hz
Traditional threaded fuse:	A	13A
Automatic fuse:	A	13A
Power:	kW	2.6
Hanging length:	meters	20
Weight:	kg	205
Sound pressure level:	A-weighted emission sound pressure level dB (A)	<57
Average heat emission per drying cycle used to assess ventilation need**:	kW	1.1

* 6.5 kg dry weight cotton, 50% residual moisture.

** For assistance with dimensioning necessary ventilation needs, contact authorized ventilation technician. For sufficient ventilation all sources introducing heat need to be taken into account plus all other parameters effecting the ventilation need. Climate zone, building parameters, room size, etc.

Connections

Connection, condensation	Plastic hose dim \varnothing 10 mm. 3 m hose included.
--------------------------	--

Heat pump

Type of refrigerant		R407C
Amount of refrigerant	kg	1.0

Fluorinated greenhouse gases

This product contains fluorinated greenhouse gases.

GWP: 1430

CO₂ equivalent: 1.43 t

Leak test: 28 bar

Hermetically sealed.

Energy consumption and drying times

Drying of centrifuged laundry **)

Programs:		Normal drying
Energy consumption:	kWh / kg of laundry	0.31
Energy dried water:	kWh / liter	0.62
Drying time ***):	minutes	60

***) The values may vary depending on:

- speed during spin cycle
- temperature, humidity in the room
- air circulation in the room (supply air, exhaust air)
- settings in the parameter list regarding moisture sensor and time for the SUN program

The values relate to a 6 kg load with 50% residual moisture.

***) The drying cabinet reconditions 5 minutes after the textiles have dried

3 Master and Slave heat pumps

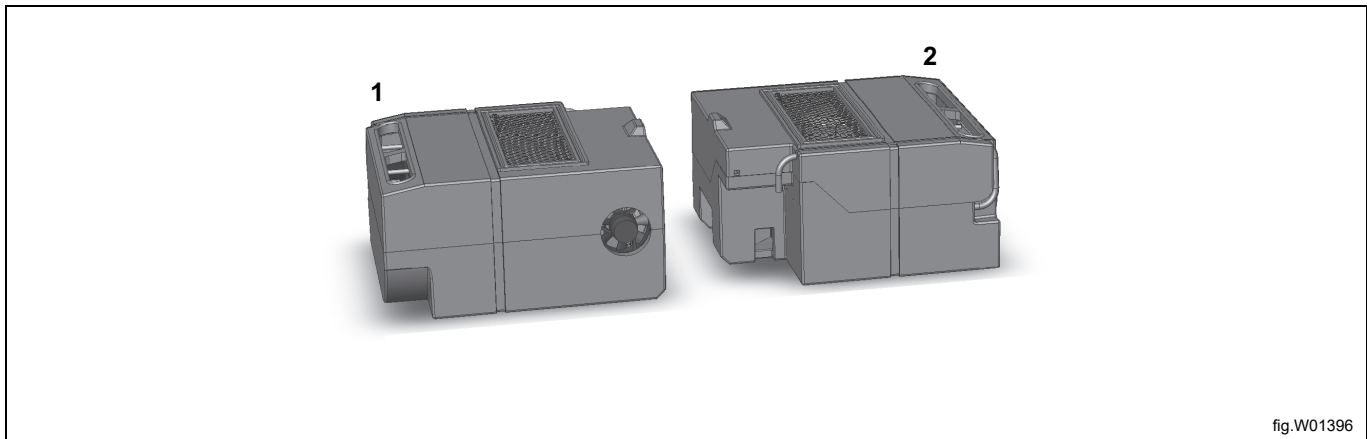


fig.W01396

1	MASTER
2	SLAVE

The drying cabinet contains two heat pumps, a MASTER and a SLAVE.

The heat pump on the left is the MASTER and the one on the right is the SLAVE.

As the name implies, the MASTER controls the process, while the SLAVE follows. If the SLAVE becomes inoperable, the drying cabinet will still be able to work, but at reduced power. However, if the MASTER were to stop working, the drying cabinet will stop. In such case, it is possible to continue the process by reconfiguring the SLAVE to temporarily make it the MASTER. This is described in more detail in the Service Manual.

It is not normally possible to perform heat pump servicing in the field. If servicing is required, the complete units must be removed and sent to Nimo-Verken AB, which has an exchange system for complete units.

The electrical connection is found on the connection panel of each unit. The panels face each other and are depicted in the figure below.

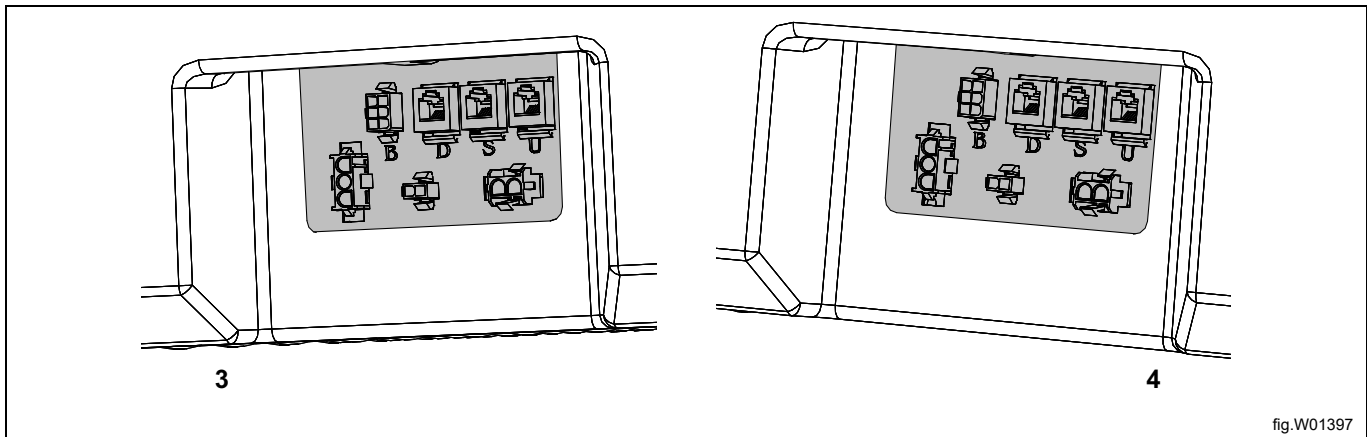


fig.W01397

3	MASTER, left
4	SLAVE, right

4 Unpacking

Removal all packing materials. Do not use sharp objects, as this could damage the product.



Packaging materials such as plastic and styrofoam should be kept out of reach of children.

4.1 Installation kit

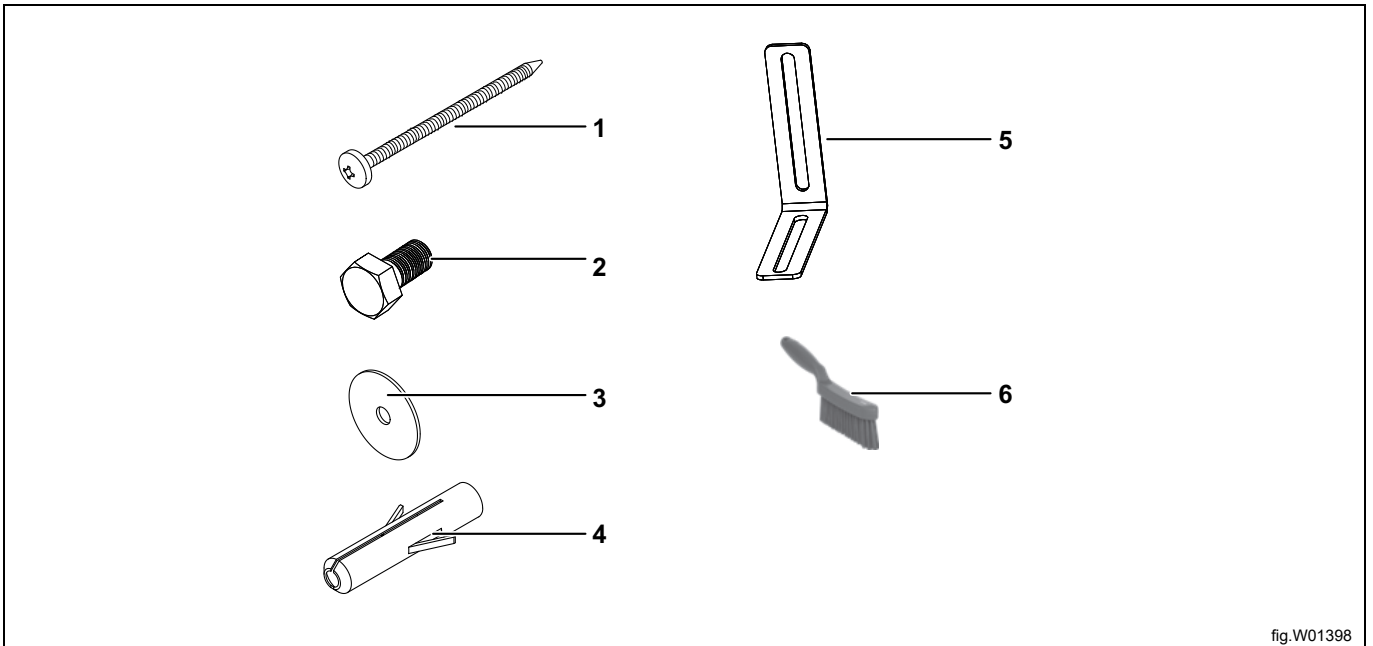


fig.W01398

1	Screw T6S 6x75 galvanized for wall mounting
2	Screw M6S 8x16 for mounting bracket
3	Washer BRB 8.4x17x1.6
4	Wall plug
5	Mounting bracket for wall mounting
6	Brush for filter cleaning

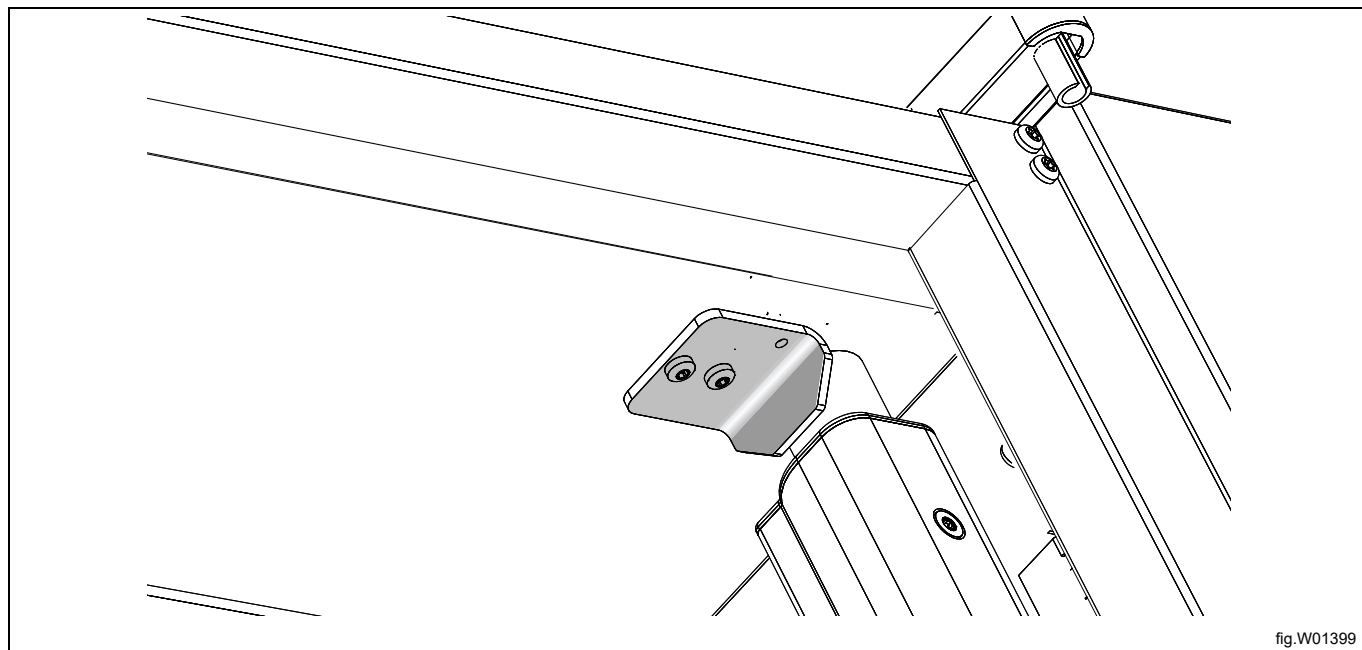
5 Weight reduction to facilitate installation

The following can be done to reduce the weight of the drying cabinet and thereby facilitate installation. If all of the measures are implemented, the weight of the drying cabinet will be cut almost in half.

- **Remove the hanger section**
- **Remove the doors**
- **Remove the dehumidifier units**

5.1 Remove the hanger section

- Remove the hanger stop as illustrated.
- Lift and unhook the section.



5.2 Remove the doors

Right door

- Undo the four fastening screws securing the hatch (A) and remove the hatch.
- Remove the cover (B) from over the upper hinge and expose the door cable (C). Then detach the cable from the connector (D).
- Remove the upper hinge (E), which is secured with two screws. Carefully pull the hinge loose from the cable. The hinge has a slot where the cable can be threaded in or out.
- Lift the door off of the drying cabinet.

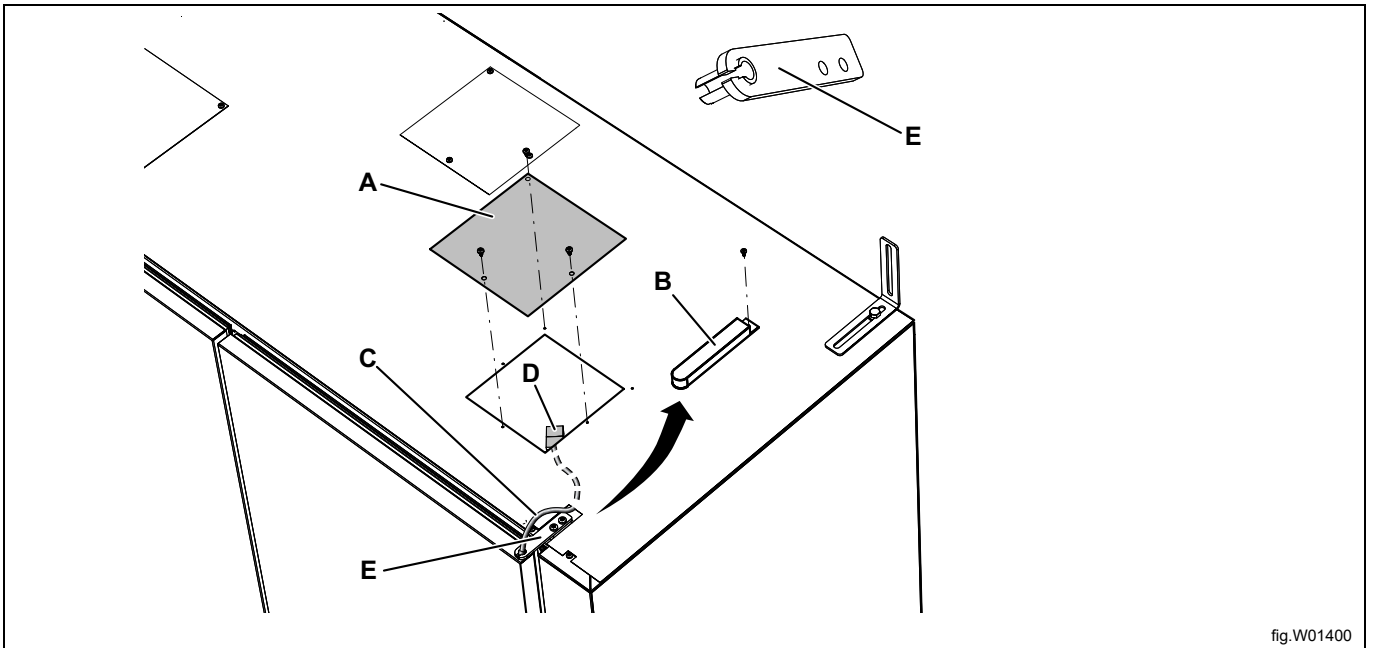
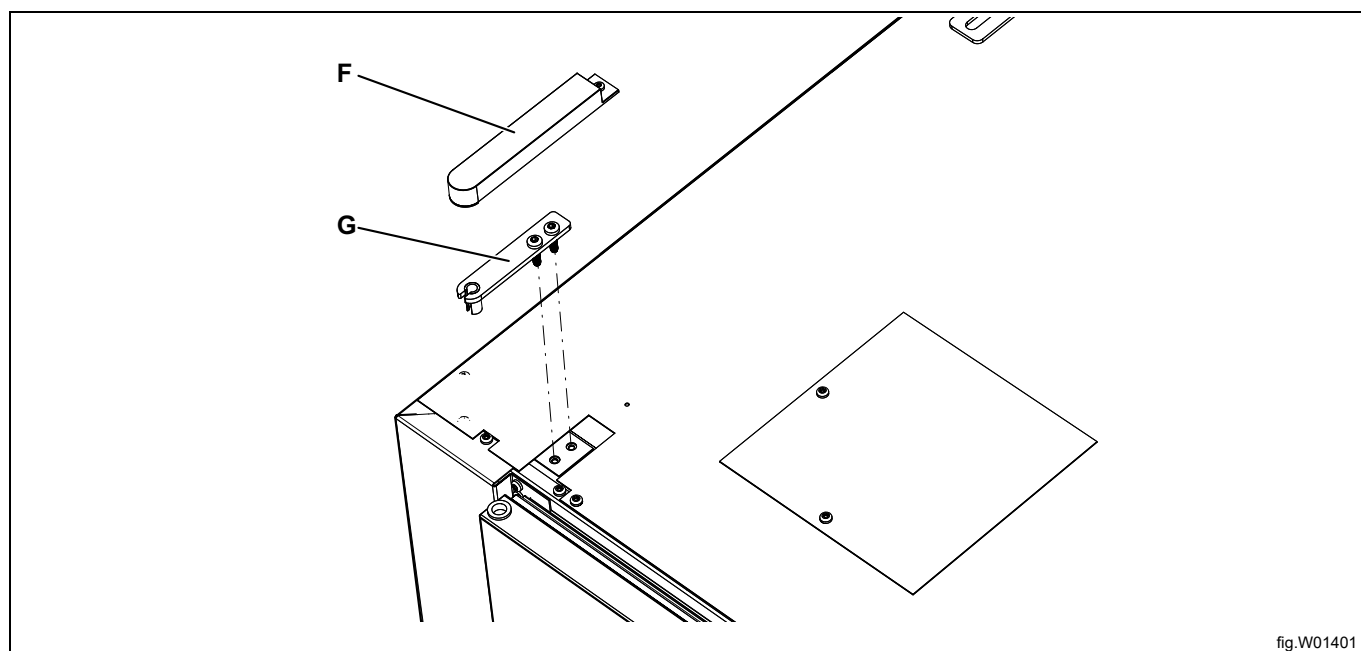


fig.W01400

A	Hatch
B	Cover over the hinge
C	Door cable
D	Connector
E	Upper hinge

Left door

- Remove the cover (F) from over the hinge.
- Remove the hinge (G), which is secured with two screws.
- Lift the door off of the drying cabinet.



F	Cover over the hinge
G	Upper hinge

5.3 Remove the dehumidifier units

- Detach the front plate (A), which is secured with two screws on the top under plastic plugs. Unplug the electrical connection between the door switches and the left dehumidifier unit. Then remove the front plate.
- Detach the filters (B) and remove them.

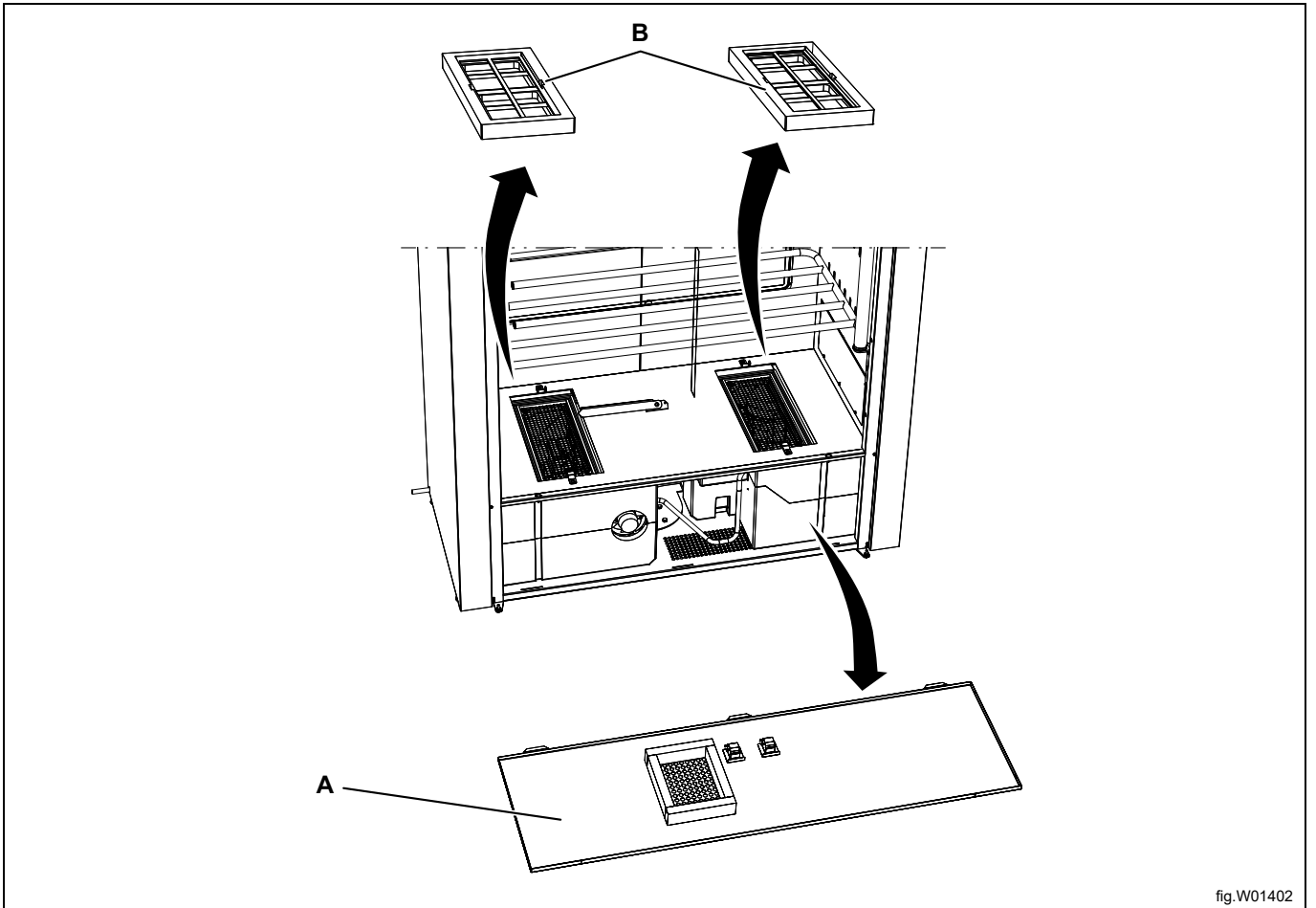


fig.W01402

A	Front plate
B	Dirt filter

- Remove the hatch (C), which is secured with three screws at the bottom edge of the hatch. Do this on both the left and the right side.
- Remove the air deflector (D). This is secured with two plastic Torx 40 screws, which are located under cover plugs (E). The air deflector can either be taken out or left in position.

Do not forget to reinstall the cover plugs when reassembling the cabinet. Otherwise, there will be air leakage, resulting in reduced performance.

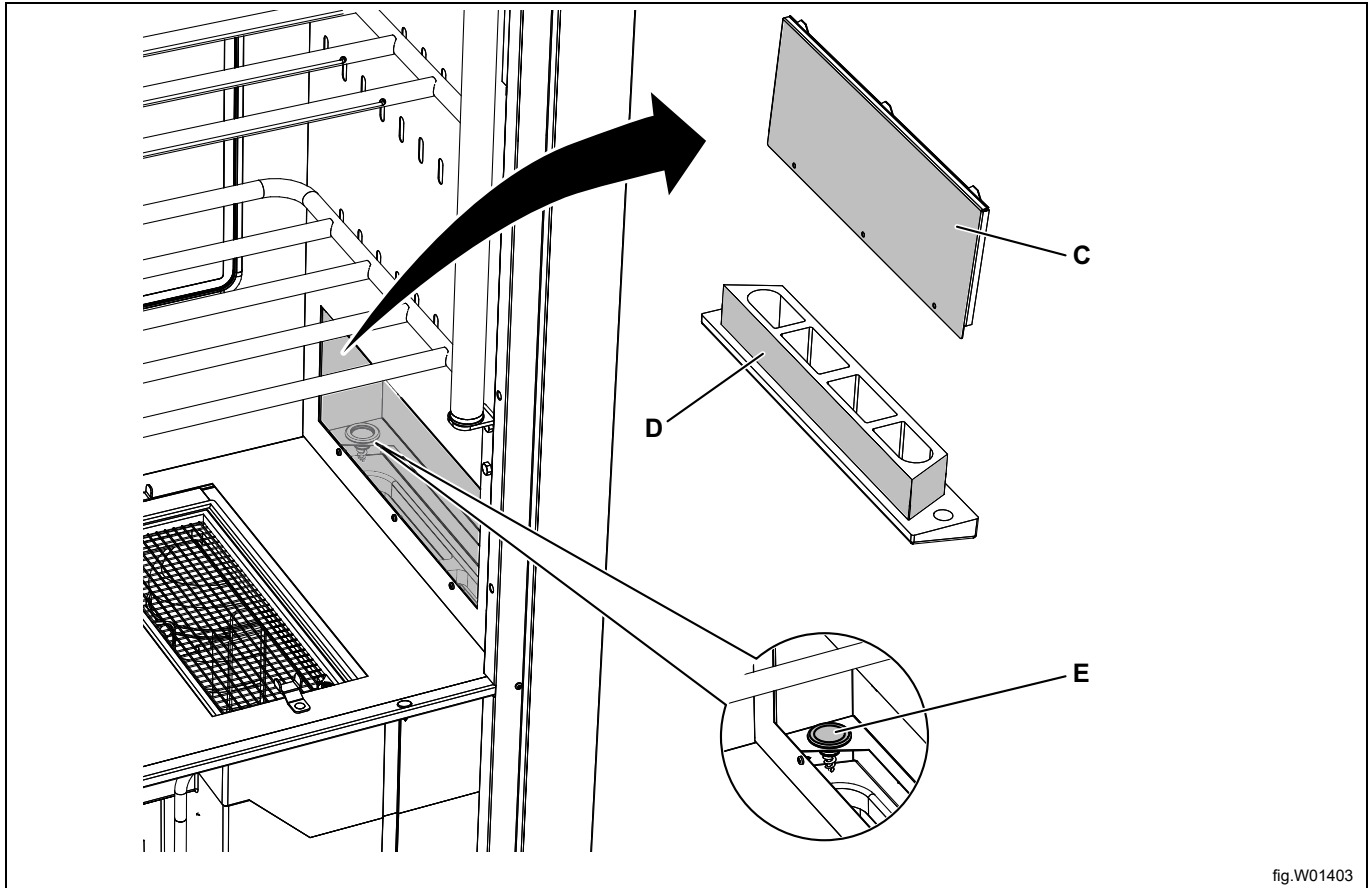


fig.W01403

C	Hatch
D	Air deflector
E	Cover plugs

- Detach the electrical cables as illustrated.

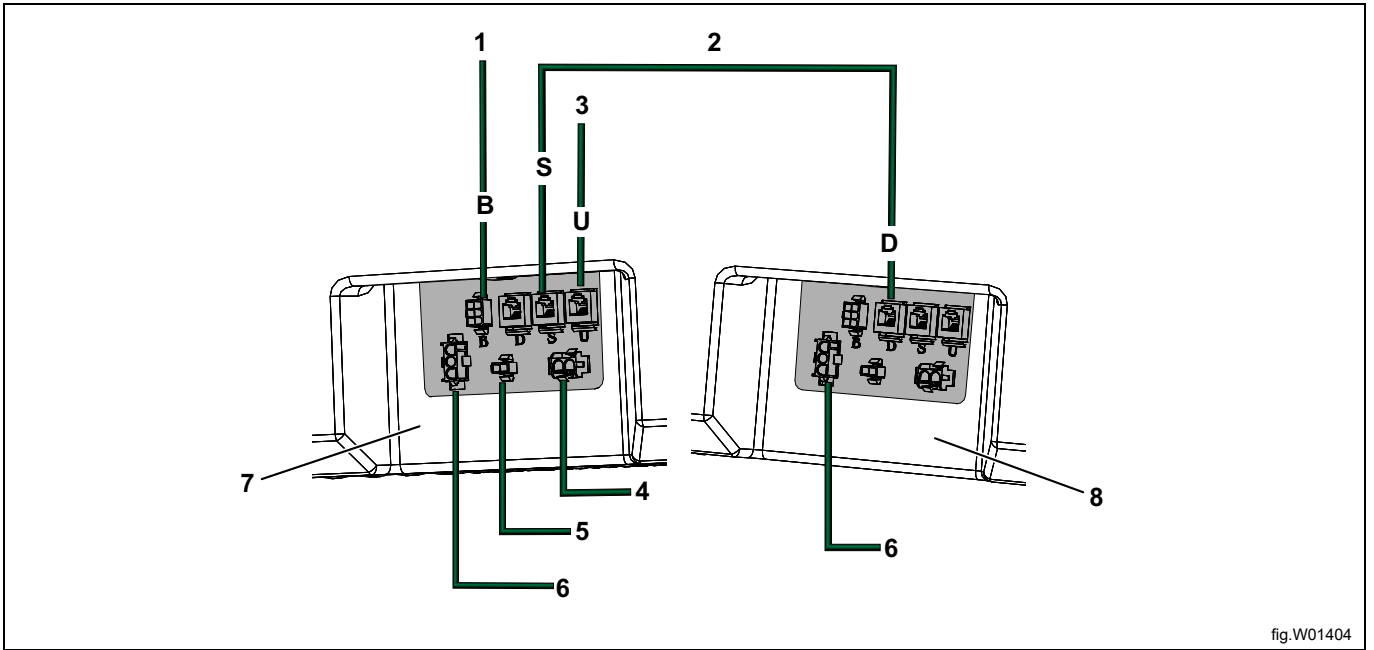


fig.W01404

1	Property's reservation system
2	Loose modular cable, black
3	User interface (control panel), white cable
4	LED lighting
5	Door switch
6	Mains connection
7	MASTER
8	SLAVE

- Detach the condensation connection (F) from both units.
- Remove the locking washer (G) and take out both of the dehumidifier units.

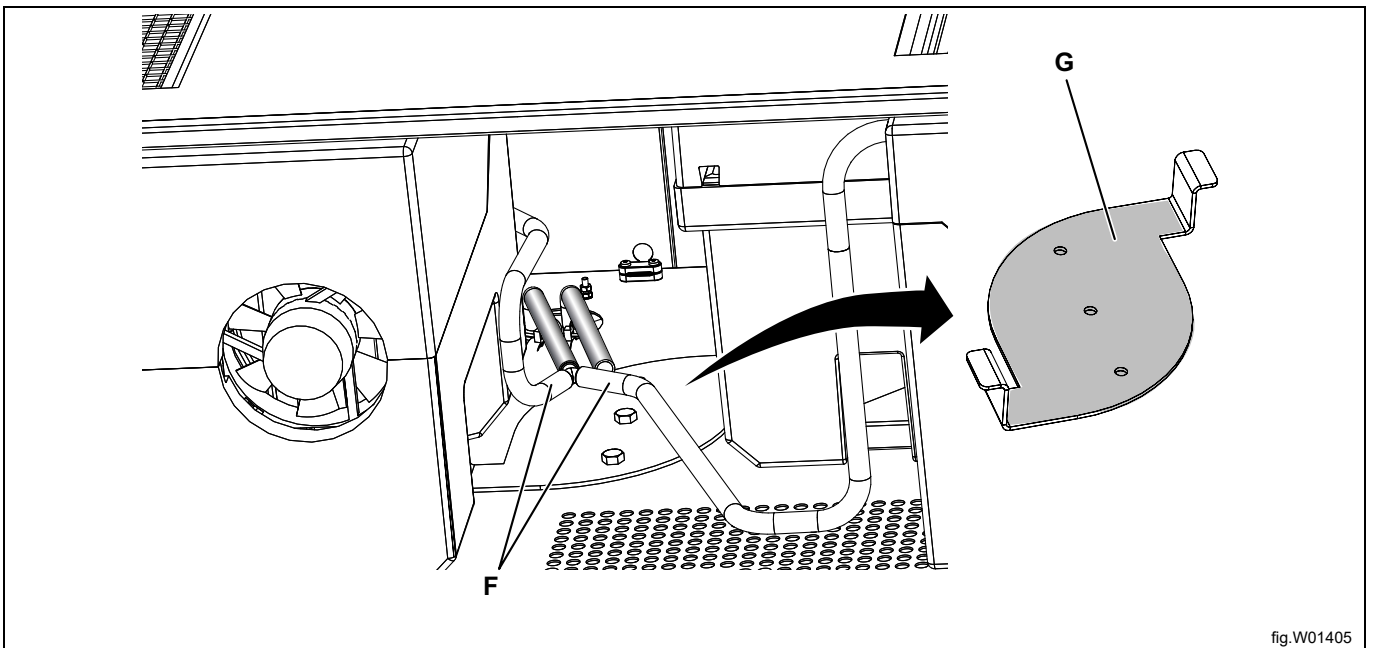


fig.W01405

6 Positioning/Attachment

The drying cabinet is only intended for placement indoors in a dry place

The drying cabinet may not be placed in an environment where high-pressure water is used for cleaning

6.1 Ventilate the room

When the machine is in operation, the room temperature increases. Due to this, the room must have sufficient ventilation.

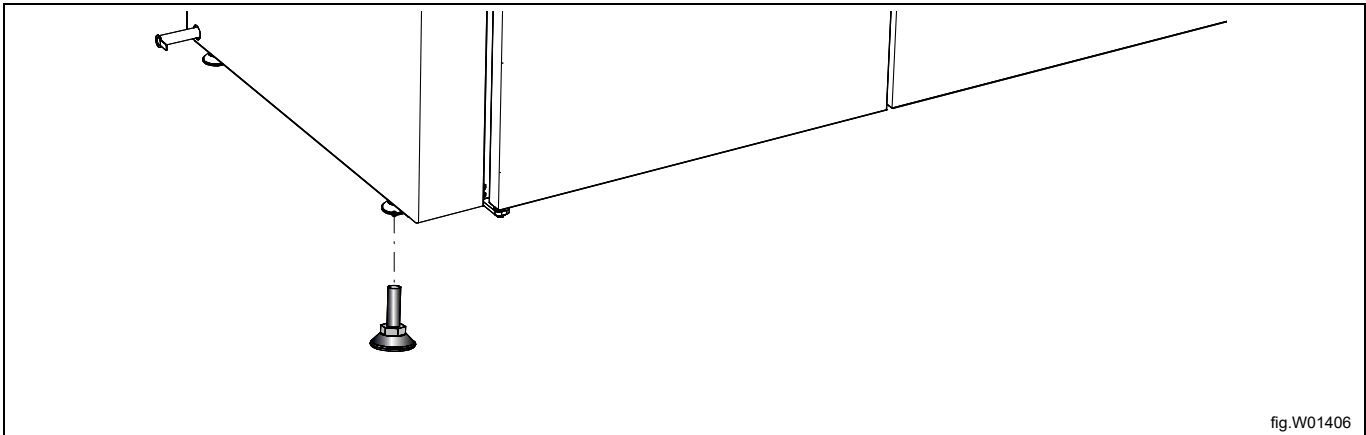
All sources introducing heat into the same room requires to be considered when dimensioning the ventilation. Heat sources could for example be: more tumble dryers, drying cabinets, washers, ironers, radiators, etc. The combination of several sources for heat introduction leads to an increased need for ventilation flow. Other factors may also influence the needed ventilation flow, such as climate zone, building parameters, room size, etc. For assistance with dimensioning necessary ventilation needs, contact authorized ventilation technician.

6.2 Horizontal adjustment

The drying cabinet must stand level on a flat surface, resting on all four feet.

Adjust the feet from the outside using a hex key. Check that the top edge of the doors match and are aligned.

The adjustable feet have hexagonal grips, size 17.



6.3 Attachment to the wall

The cabinet must be attached to the wall to prevent tipping.

The installation kit contains two angle brackets that are mounted on the upper part of the drying cabinet as illustrated. Use the provided screws. The brackets have grooves for adjustment to the wall.

Secure the cabinet to the wall. The installation kit contains a fastening screw and plastic plugs.

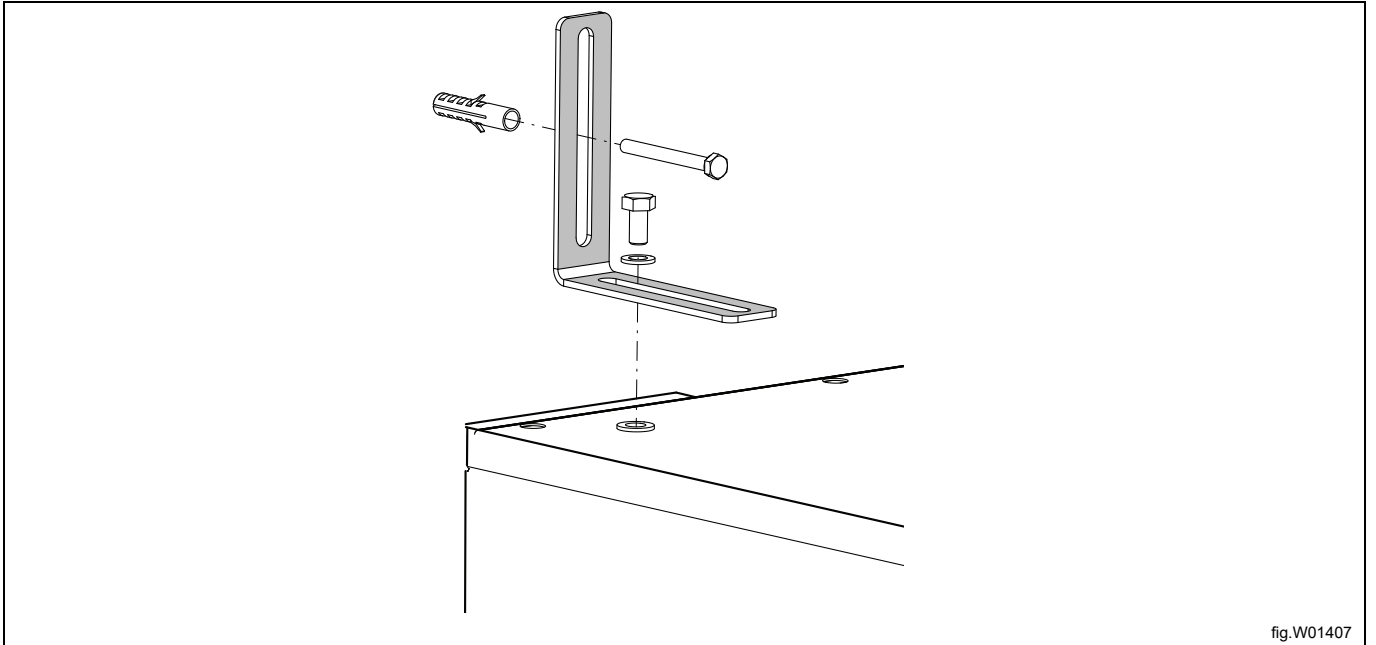


fig.W01407

7 Connection to floor drain

The drying cabinet comes with a preinstalled hose for connection to a floor drain. The hose connection is found on both sides at the lower rear corner of the cabinet.

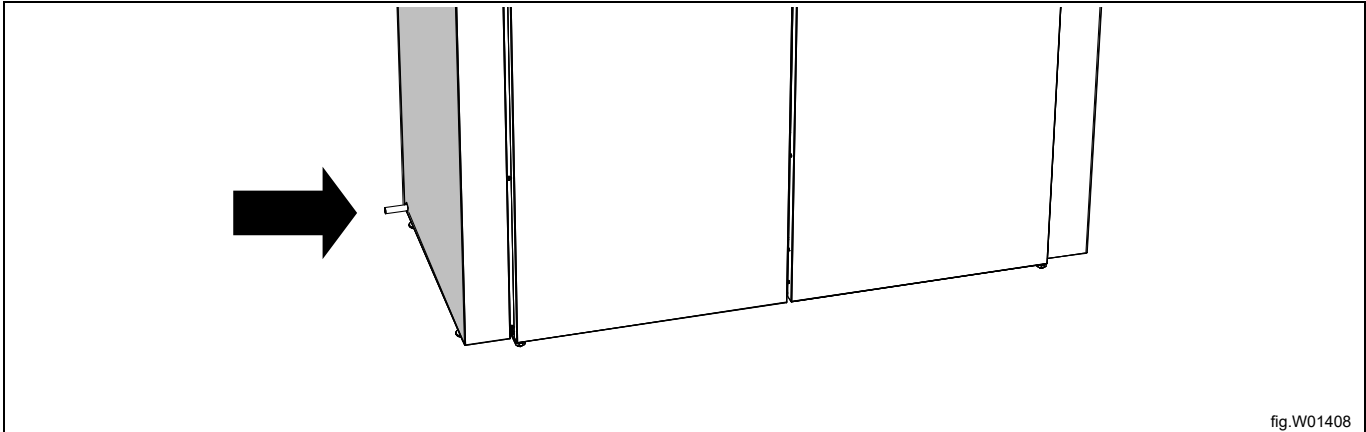


fig.W01408

- Connect a new drain hose to one of the cabinet connections and route it to the drain.
- If the floor drain is higher than the cabinet drain, make sure that the hose makes an arch down towards the floor and forms a water trap. If you fail to do this, there is a risk of condensation flowing back to the box when the pump is not running. This could cause the box to fill with water and the cabinet to stop working.

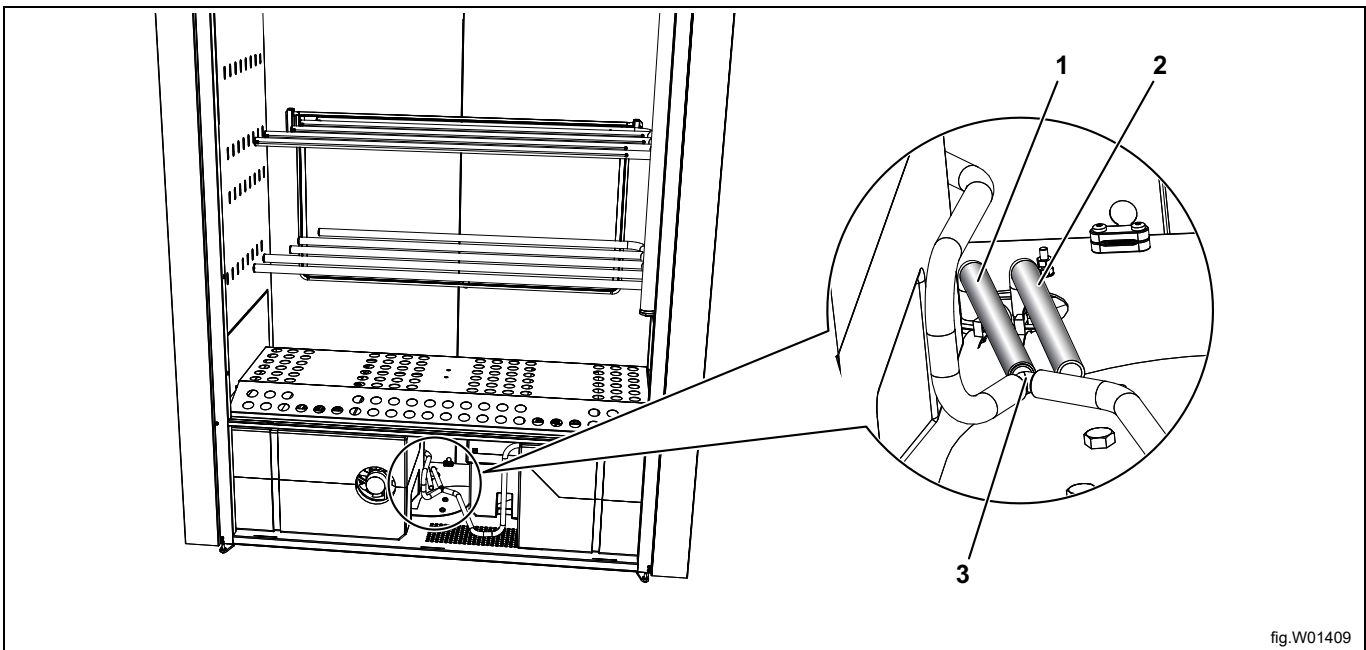


fig.W01409

1	Left side's drain hose
2	Right side's drain hose
3	Nipple

- Replace/check the drain side by moving the nipple drain hose on either the right or the left side.
The hoses from the dehumidifier units are delivered from the factory connected to the drain on the left side.

The hose must not under any circumstances be bent so much that the flow of water is obstructed

8 Electrical connection



The electrical installation may only be performed by qualified personnel.

The drying cabinet is delivered ready for connection, with cable and grounded plug.

Electrical connections					
Heating alternative	Main voltage	Hz	Heating power kW	Total power kW	Recommended fuse A
Machines with heat pump	230V 1~	50	1	2.6	13

1. Total power and recommended fuse does not depend on the heating power in those cases.

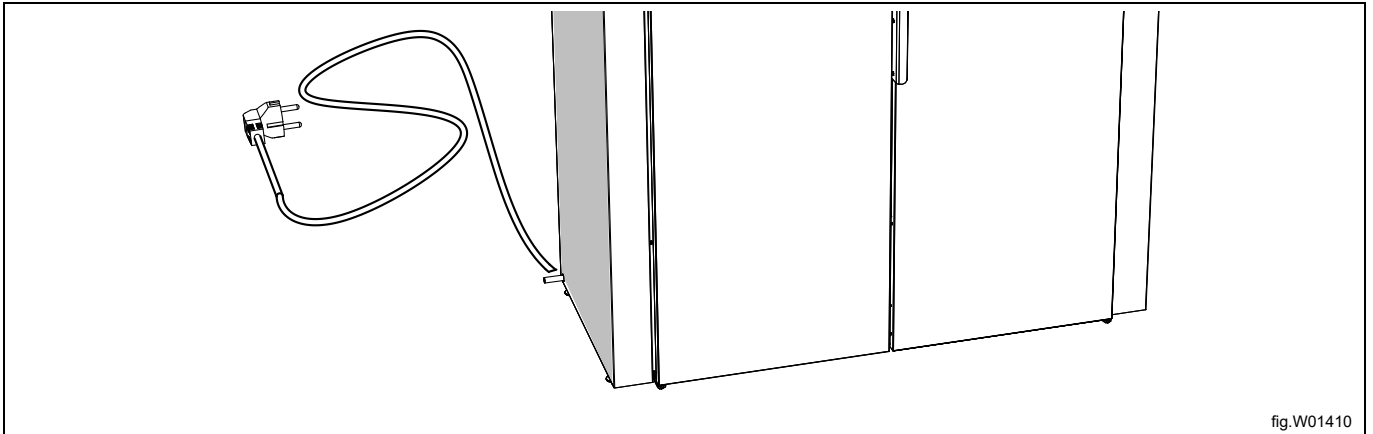


fig.W01410

We recommend that the mains cable be equipped with a **ground fault interrupter**.

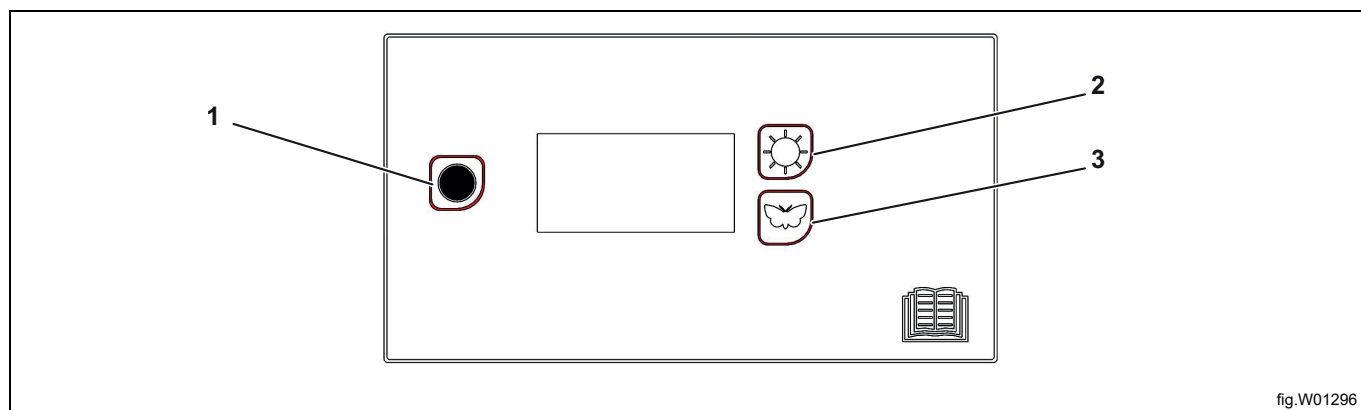
The electrical outlet must be in a location that makes it easy to unplug the cabinet if necessary.

8.1 Connecting to an external payment system

Connect the cables from the external payment system to terminal block positions 1 and 2 "EXT SW".

Activate the connection to the external payment system as follows:

- Activate the programming mode: Press STOP + SUN + BUTTERFLY. Press the Stop button first and then the program selection buttons simultaneously. The display lights up and shows "ACCESS 1000". To be able to move on, code 9191 must replace the code 1000.
- After the above, you will be at the first digit "1" in ACCESS 1000. Step to the digit "9" using the program selection buttons SUN (up) or BUTTERFLY (down). Then move to the next digit, in this case "0", using the STOP button. Increase this to "1" using the SUN button and then continue until "9191" is shown. Once you have set the last digit, press the STOP button and **access programming mode**.
- The first parameter and the factory-set value are then shown in the display. The row with the parameter flashes.
- Step forward or back with the SUN (increase) or BUTTERFLY (decrease) button to Parameter 117 is shown. Press STOP to confirm.
- Set the parameter value to 1. This will activate the cabinet for network use. Use the Stop button to exit the parameter.
- Press STOP to save.
- To exit programming mode, press STOP + BUTTERFLY (STOP button first).



1	Stop button
2	Sun button Extra drying
3	Butterfly button Normal drying

8.2 Restore factory settings

To restore the electronics to factory settings:

Press the Stop button, and then press both program buttons. The display shows FACT DEFS.

8.3 Alternative electrical connection

The drying cabinet can also be permanently connected. In such case, it must be connected via an all-pole switch installed in the immediate vicinity of the drying cabinet.

The grounded electrical outlet or all-pole switch must be within easy reach of the drying cabinet after it has been installed.

8.4 Connection to reservation system

If the property has a reservation system for the laundry room, the drying cabinet can be connected to this.

Connection is handled via an external electronics box that can be ordered from Electrolux Professional. This is connected to connector B on the Master unit.

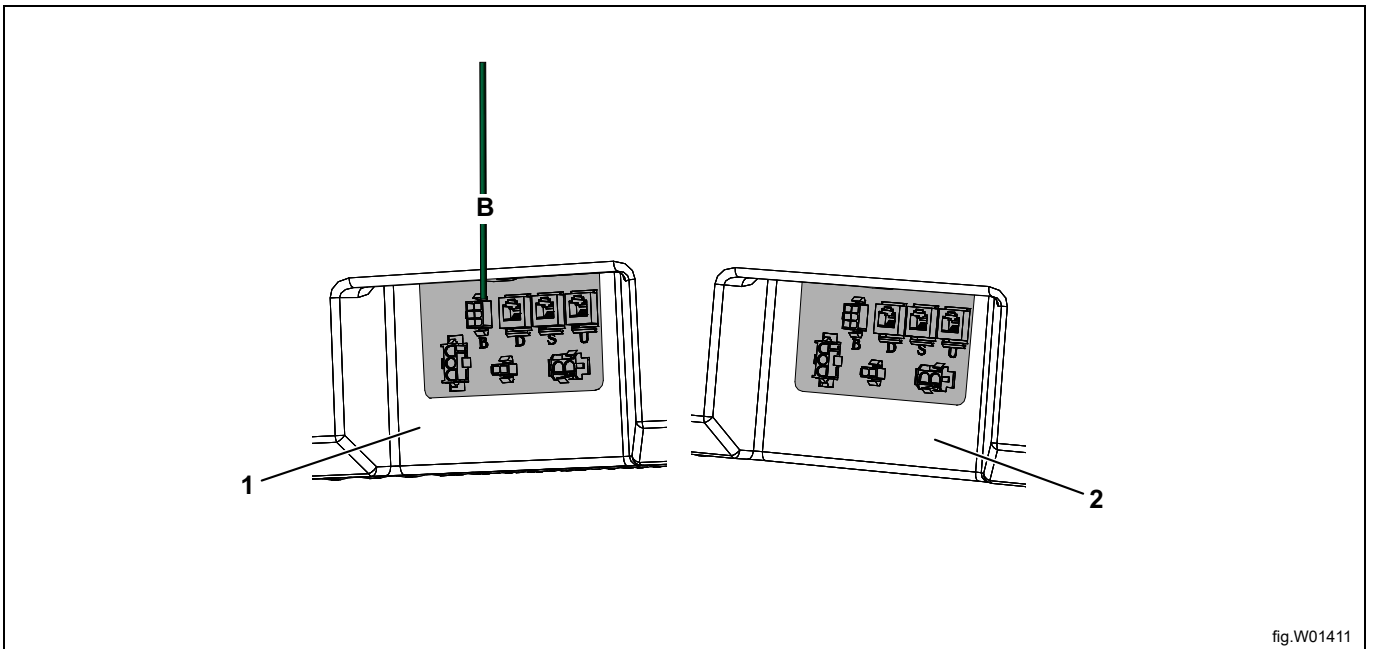


fig.W01411

B	Master unit connector
1	MASTER
2	SLAVE

9 Language setting

- Activate the programming mode: Press STOP + SUN + BUTTERFLY. Press the Stop button first and then the program selection buttons simultaneously. The display lights up and shows "ACCESS 1000". To be able to move on, code 9191 must replace the code 1000.
- After the above, you will be at the first digit "1" in ACCESS 1000. Step to the digit "9" using the program selection buttons SUN (up) or BUTTERFLY (down). Then move to the next digit, in this case "0", using the STOP button. Increase this to "1" using the SUN button and then continue until "9191" is shown. Once you have set the last digit, press the STOP button and **access programming mode**.
- The first parameter and the factory-set value are then shown in the display. The row with the parameter flashes.
- Step forward or back with the SUN (increase) or BUTTERFLY (decrease) button until "P 105" is shown.
- Once the display shows "P105", press STOP to confirm. The row below will now flash with the language symbol. Each language is assigned a number symbol as listed in the following table. The unit is factory-set to "1" (Swedish).
- Step to the required language with the SUN or BUTTERFLY button.
- Press STOP to save.
- To exit programming mode, press STOP + BUTTERFLY (STOP button first). The display will restart and the new language is set.

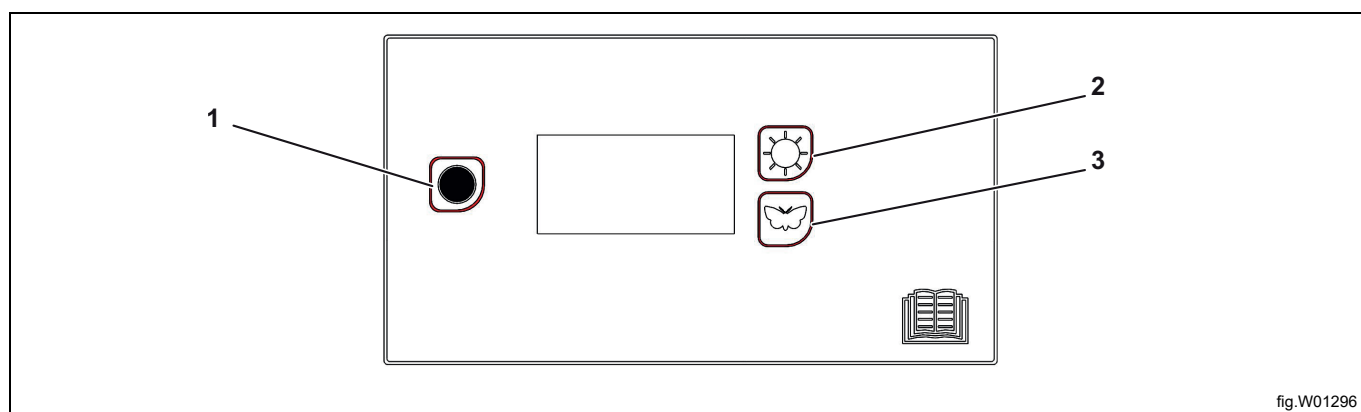


fig.W01296

1	Stop button
2	Sun button Extra drying
3	Butterfly button Normal drying

Language symbol	Display language
0	English
1	Swedish
2	Norwegian
3	Danish
4	Finnish
5	Russian
6	French
7	German

10 Function check



May only be performed by qualified personnel.



A function check must be performed when the installation is finished and before the appliance can be used.

Whenever a repair has been made, a function check must be performed before the appliance can be used again.

- Select any program and check that the drying cabinet is heating and that there are no odd noises.

Ready for use

If all tests are OK the appliance is now ready for use.

If any of the tests fail, or deficiencies or faults are detected, please contact your local service organization or supplier.

Use a mild dish soap with hot water to wipe the inside and outside of the drying cabinet. Wipe thoroughly.

11 Disposal information

11.1 Disposal of appliance at end of life

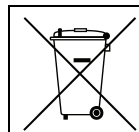
Before disposing of the machine, make sure to carefully check its physical condition, and in particular any parts of the structure that can give or break during scrapping.

The machine's parts must be disposed of in a differentiated way, according to their different characteristics (e.g. metals, oils, greases, plastic, rubber, etc.).

Different regulations are in force in the various countries, therefore comply with the provisions of the laws and competent bodies in the country where scrapping takes place.

In general, the appliance must be taken to a specialised collection/scrapping centre.

Dismantle the appliance, grouping the components according to their chemical characteristics, remembering that the compressor contains lubricant oil and refrigerant fluid which can be recycled, and that the refrigerator and heat pump components are special waste assimilable with urban waste.



The symbol on the product indicates that this product should not be treated as domestic waste, but must be correctly disposed of in order to prevent any negative consequences for the environment and human health. For further information on the recycling of this product, contact the local dealer or agent, the Customer Care service or the local body responsible for waste disposal.




Note!

When scrapping the machine, any marking, this manual and other documents concerning the appliance must be destroyed.

11.2 Disposal of packing

The packing must be disposed of in compliance with the current regulations in the country where the appliance is used. All the packing materials are environmentally friendly.

They can be safely kept, recycled or burned in an appropriate waste incineration plant. Recyclable plastic parts are marked as following examples.

	Polyethylene: <ul style="list-style-type: none"> • Outer wrapping • Instructions bag
	Polypropylene: <ul style="list-style-type: none"> • Straps
	Polystyrene foam: <ul style="list-style-type: none"> • Corner protectors



Electrolux Professional AB
341 80 Ljungby, Sweden
www.electroluxprofessional.com