

Installation manual

Drying Cabinet

DC6-14HP



Electrolux
PROFESSIONAL

Contents

Contents

1	Safety Precautions	5
1.1	General safety information.....	5
1.2	Symbols.....	5
2	Technical data.....	6
2.1	Dimensions drawing.....	6
2.2	Technical data	7
3	Delivery	8
3.1	Transport unit	8
3.2	Box 1	9
3.3	Recommended tools	9
3.4	Placement.....	10
3.5	Ventilating the room	10
4	Assembly instructions.....	11
4.1	Bottom plate	11
4.2	Back piece	12
4.3	Side pieces	13
4.4	Roof.....	13
4.5	Doors.....	14
4.6	Door adjustment	15
4.7	Wall bracket	16
4.8	Glove hanger.....	17
4.9	Lint filter	18
4.10	Hanger assembly.....	19
4.11	Hanger installation	21
4.12	Installing the heat pump component on the cabinet.....	22
4.13	Install the control panel.....	23
5	Electrical connection.....	25
5.1	Network Functions	25
5.2	Connecting to ELS Vision	26
5.3	Connecting to an external payment system.....	27
5.4	Restore factory settings.....	27
6	Condensation connection.....	28
7	Language setting.....	29
8	Function check.....	30
9	Disposal information	31
9.1	Disposal of appliance at end of life	31
9.2	Disposal of packing.....	31

The manufacturer reserves the right to make changes to design and component specifications.

1 Safety Precautions

WARNING. This appliance is intended only for drying textiles washed in water.
DO NOT MODIFY THIS APPLIANCE.

Servicing shall be carried out only by authorized personnel.

Only authorized spare parts shall be used.

When performing service or replacing parts, the power must be disconnected.

A-weighted emission sound pressure level at workstations: <70 dB

Stationary appliances not fitted with means for disconnection from the supply mains having a contact separation in all poles that provide full disconnection under overvoltage category III, means for disconnection must be incorporated in the fixed wiring in accordance with the wiring rules.

Additional requirements for the following countries: AT, BE, BG, HR, CY, CZ, DK, EE, FI, FR, DE, GR, HU, IS, IE, IT, LV, LT, LU, MT, NL, NO, PL, PT, RO, SK, SI, ES, SE, CH, TR, UK:

- This appliance can be used in public areas.
- This appliance can be used by children aged from 8 years and above and persons with reduced physical, sensory or mental capabilities or lack of experience and knowledge if they have been given supervision or instruction concerning use of the appliance in a safe way and understand the hazards involved. Children shall not play with the appliance. Cleaning and user maintenance shall not be made by children without supervision.

Additional requirements for other countries:





- This appliance is not intended for use by persons (including children) with reduced physical, sensory or mental capabilities, or lack of experience and knowledge, unless they have been given supervision or instruction concerning use of the appliance by a person responsible for their safety. Children should be supervised to ensure that they do not play with the appliance.

1.1 General safety information

Do not hose down the machine with water.

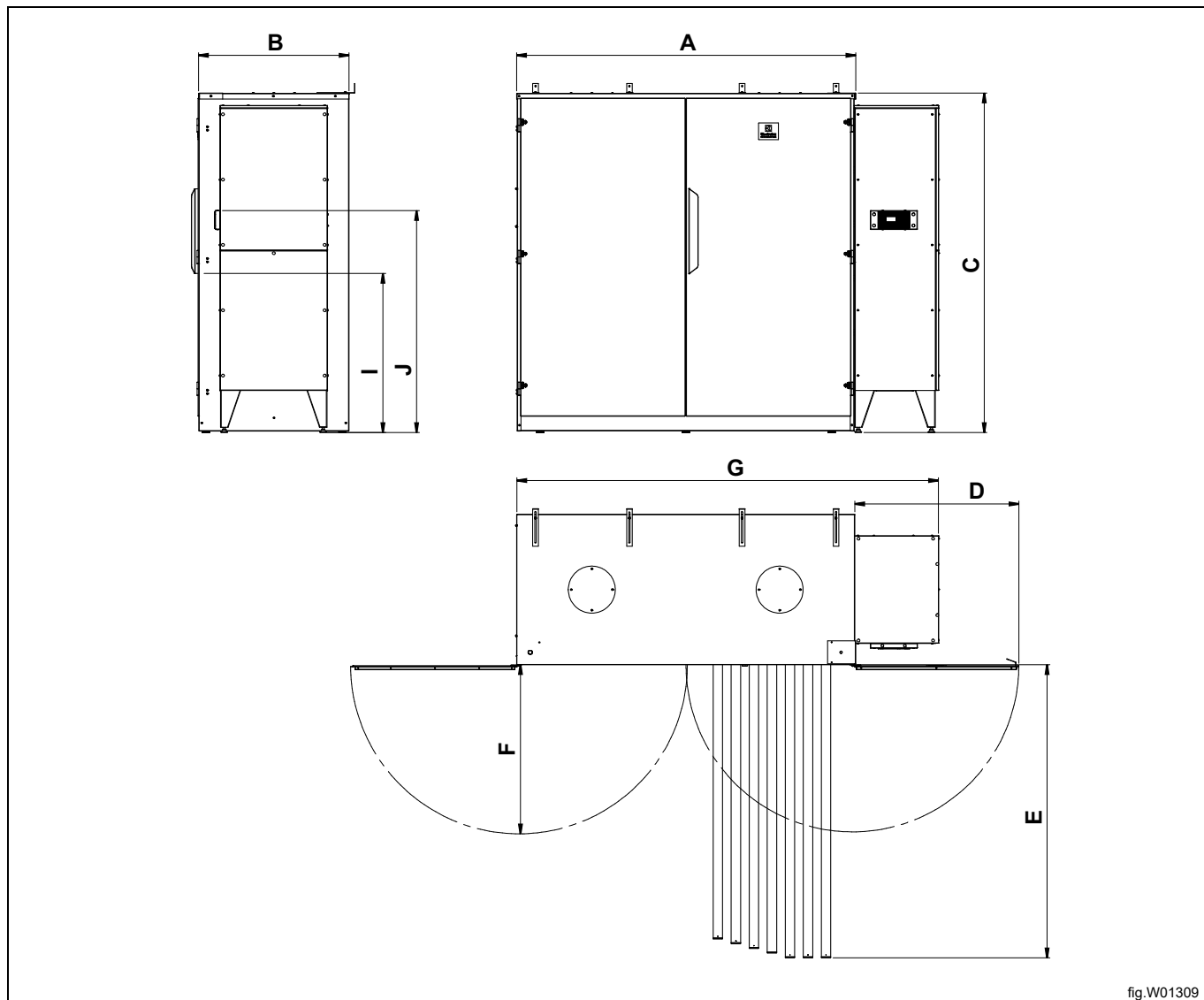
In order to prevent damage to the electronics (and other parts) that may occur as the result of condensation, the machine should be placed in room temperature for 24 hours before being used for the first time.

1.2 Symbols

	Caution
	Caution, hot surface
	Read the instructions before using the machine.
	Be careful. The drying cabinet is top heavy and can tip over easily.

2 Technical data

2.1 Dimensions drawing



	A	B	C	D	E	F	G	I	J
mm	1805	800	1805	875	1560	900	2245	850	1180

Condensation outlet \varnothing 32 (see page 13)

Electrical connection (see page 12)

2.2 Technical data

Capacity:	max. 10 kg of laundry	
Drainage capacity:	80 g/min (10 kg 55% residual moisture)	
Electrical connection:	400V 3N AC 50Hz Fuse 10A slow-blow, 10A automatic fuse.	
Power:	3.2 kW	
Hanging length:	22 meters	
Dimensions:	Height	1805 mm
	Width	2240 mm (including heat pump)
	Depth	800 mm
Weight:	250 kg (for assembled cabinet)	
Sound level:	Airborne sound level at full load 68 dB (A)	
Average heat emission per drying cycle used to assess ventilation need*:	1.2 kW	

* For assistance with dimensioning necessary ventilation needs, contact authorized ventilation technician. For sufficient ventilation all sources introducing heat need to be taken into account plus all other parameters effecting the ventilation need. Climate zone, building parameters, room size, etc.

This product contains fluorinated greenhouse gases. Hermetically sealed.

Type of refrigerant:	R134a
Refrigerant quantity:	1.5 kg
Total factor for global warming potential:	1430
CO ₂ equivalent:	2.145 tonnes
Leak test:	28 bar

3 Delivery

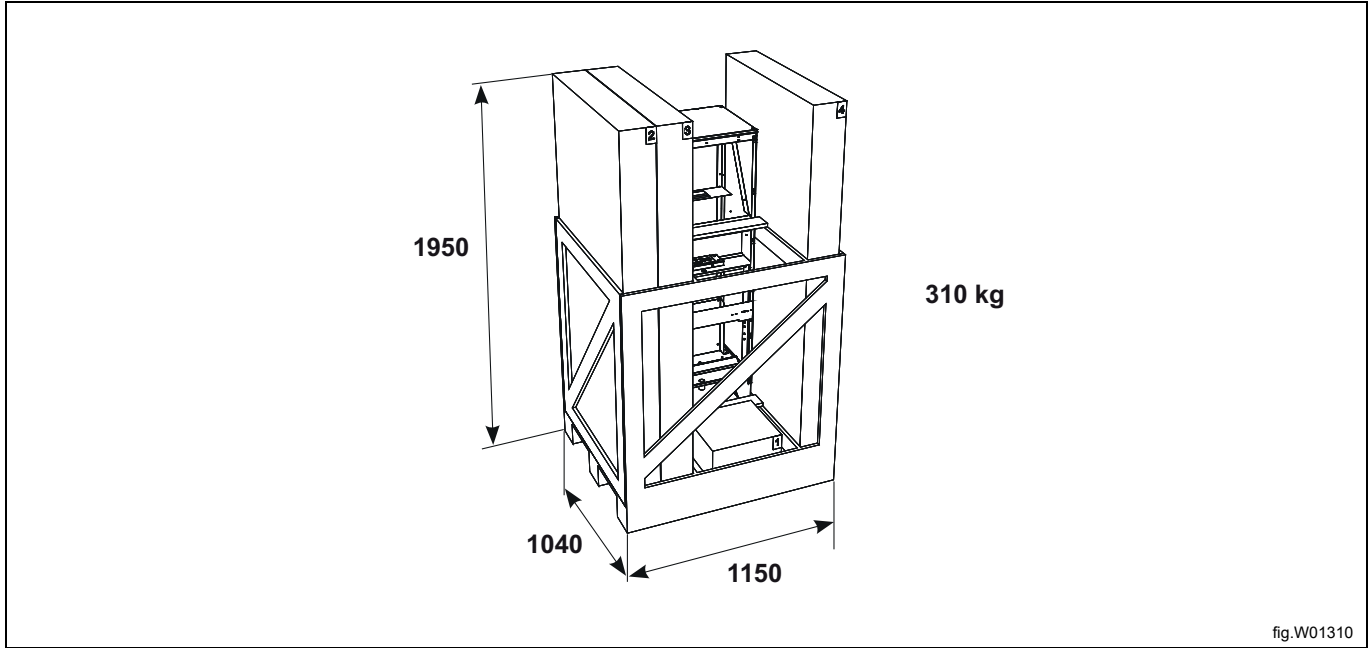
The cabinet is delivered unassembled on a transport unit.

The cabinet component is assembled as instructed in this manual. After assembly, the heat pump component is hooked onto the cabinet component. The heat pump component is fully assembled upon delivery.

The cabinet component and heat pump components are delivered in a single package.

3.1 Transport unit

The transport unit contains 5 boxes with the content described below.



Box no.	Contents
1	Small components, minor plate pieces, all documentation. See page 9
2	Bottom, Left Door, Left Back Plate, Right Back Plate
3	Right Door, Top, Right Side Plate, Left Side Plate
4	Interior Kit, Hangers, Filter KPL Contra 2000 Straight
5	Heat pump

3.2 Box 1

Box 1 contains 9 bags. The content of these is found in the installation instructions below.

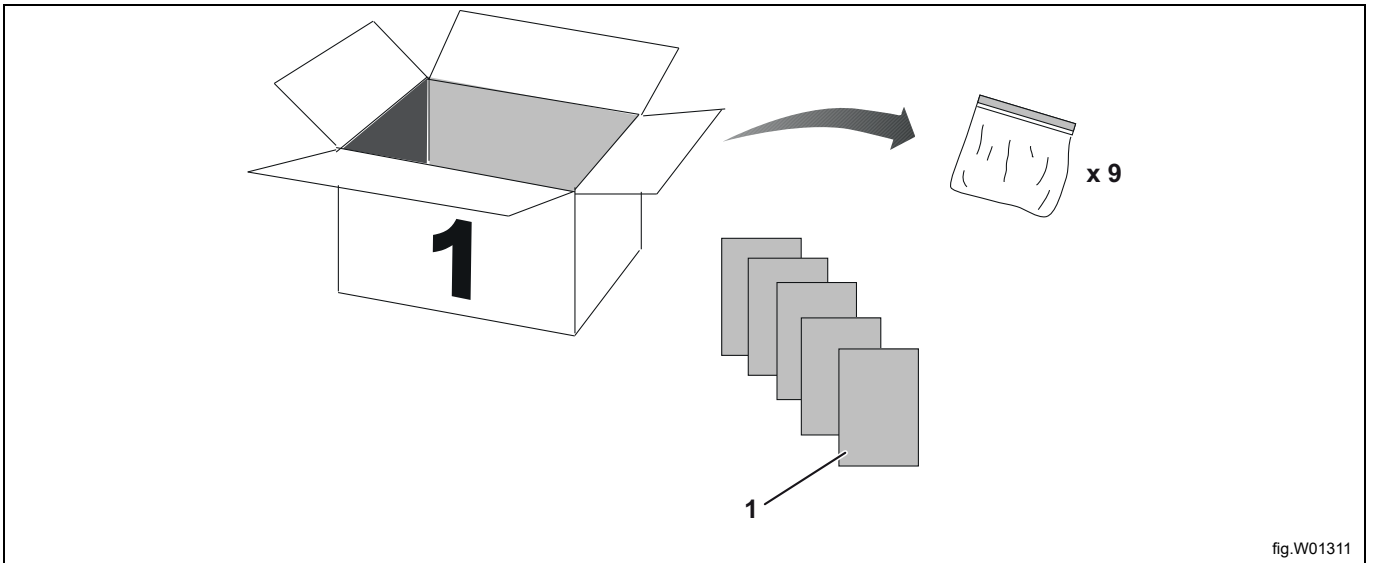


fig.W01311

1	User Manual (OM) / Installation Manual (IM) / Assembly Instructions / Wiring Diagram / Disposal Instructions
---	--

3.3 Recommended tools

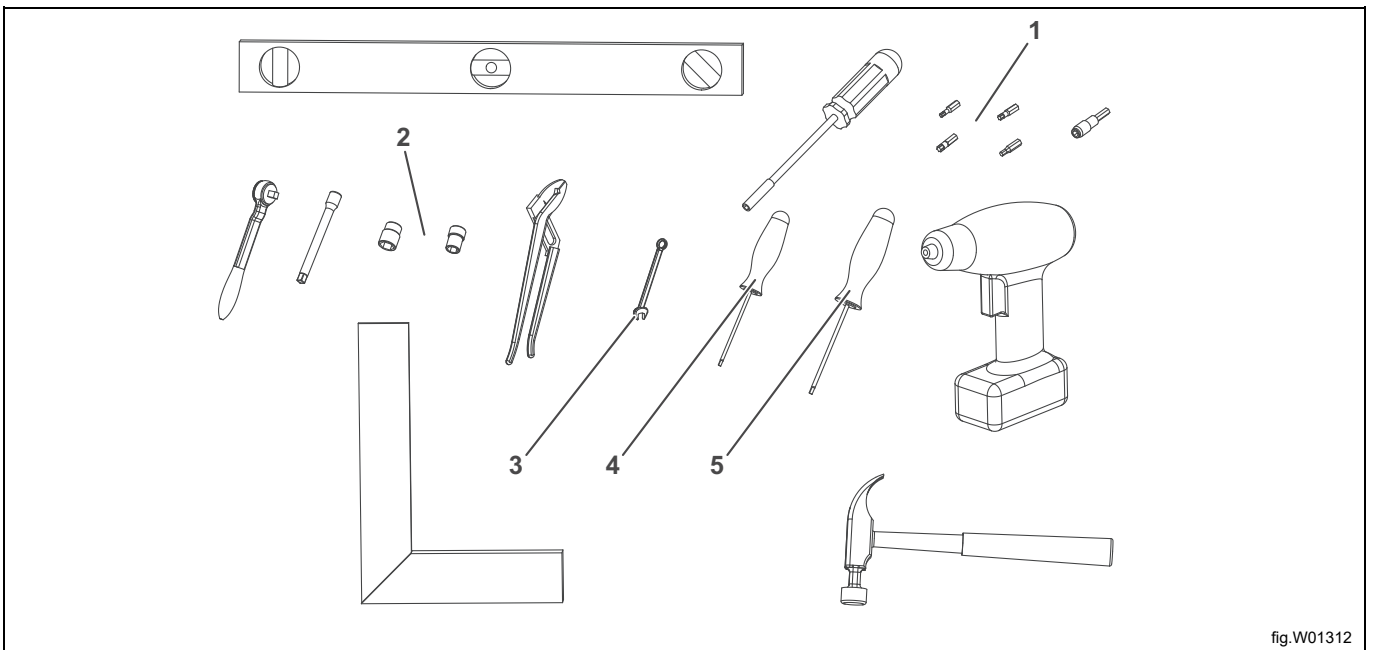


fig.W01312

1	Bits Torx, T10, T20, T25, T30. Allen key 4.0
2	Socket 10 mm and 13mm
3	Fixed wrench 7mm
4	Slotted screwdriver 0.5 x 3
5	Slotted screwdriver 8 x 150

Other tools as illustrated.

3.4 Placement

The drying cabinet intended for placement indoors in dry place.

Place the bottom plate in the final position of the drying cabinet.

The drying cabinet should be positioned so that there is plenty of room for working, both for the user and service personnel.

- First place the bottom plate (see page 11) in the intended position. The cabinet must stand level of a flat surface, resting on all six feet.
- Adjust the adjustable feet with a slotted screwdriver. After adjustment, press cover plugs into the holes of the adjustable feet. See the next chapter.

3.5 Ventilating the room

When the machine is in operation, the room temperature increases. Due to this, the room must have sufficient ventilation.

All sources introducing heat into the same room requires to be considered when dimensioning the ventilation. Heat sources could for example be: more tumble dryers, drying cabinets, washers, ironers, radiators, etc. The combination of several sources for heat introduction leads to an increased need for ventilation flow. Other factors may also influence the needed ventilation flow, such as climate zone, building parameters, room size, etc. For assistance with dimensioning necessary ventilation needs, contact authorized ventilation technician.

4 Assembly instructions

4.1 Bottom plate

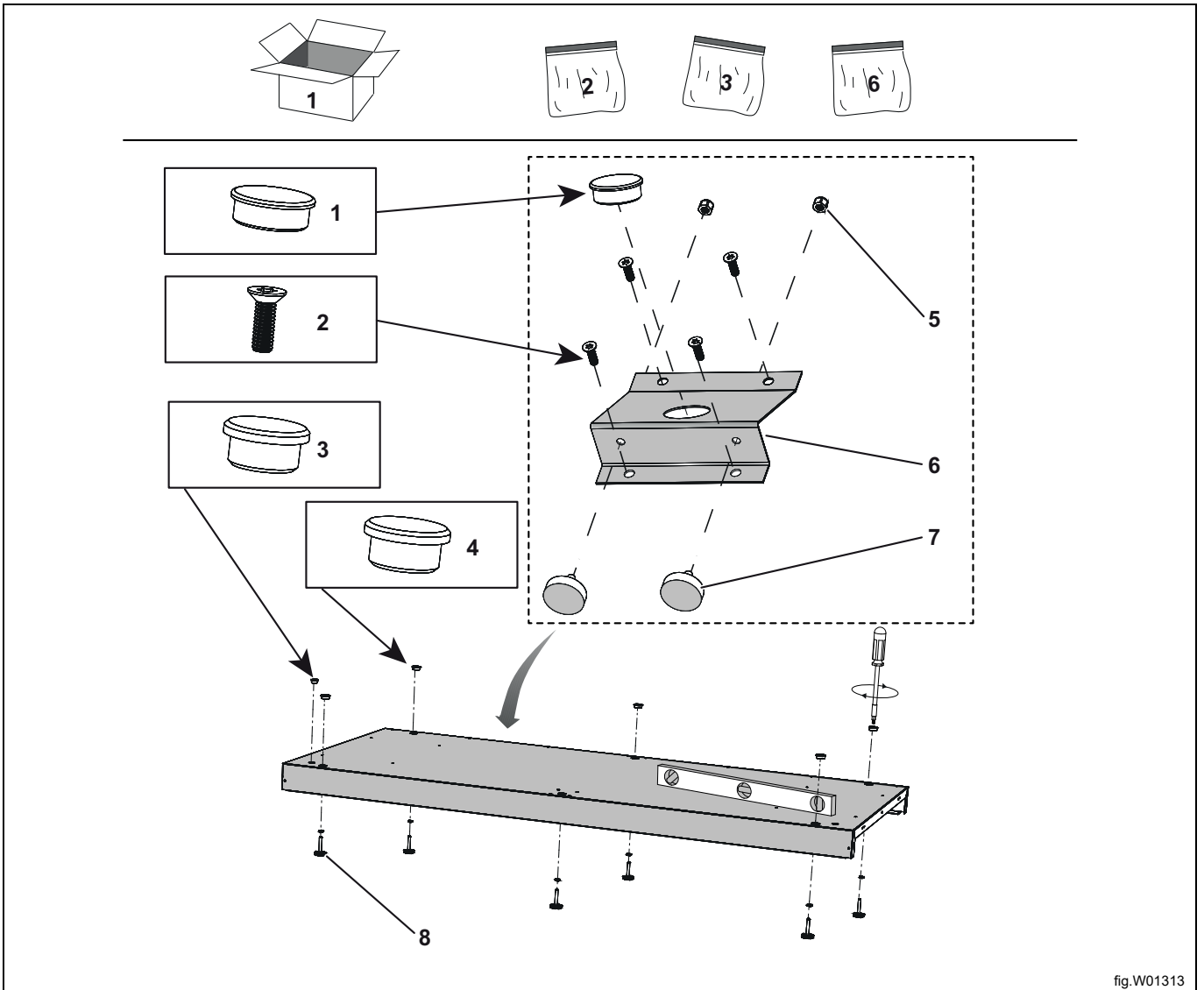


fig.W01313

		Box 1	Bag / Quantity									
			1	2	3	4	5	6	7	8	9	
1	Cover plug			1x								
2	M4x12			4x								
3	End cap							1x				
4	Cover plug			5x								
5	Lock nut M4			2x								
6	Magnetic holder	1x										
7	Magnet			2x								
8	Foot screw				6x							

4.9 Lint filter

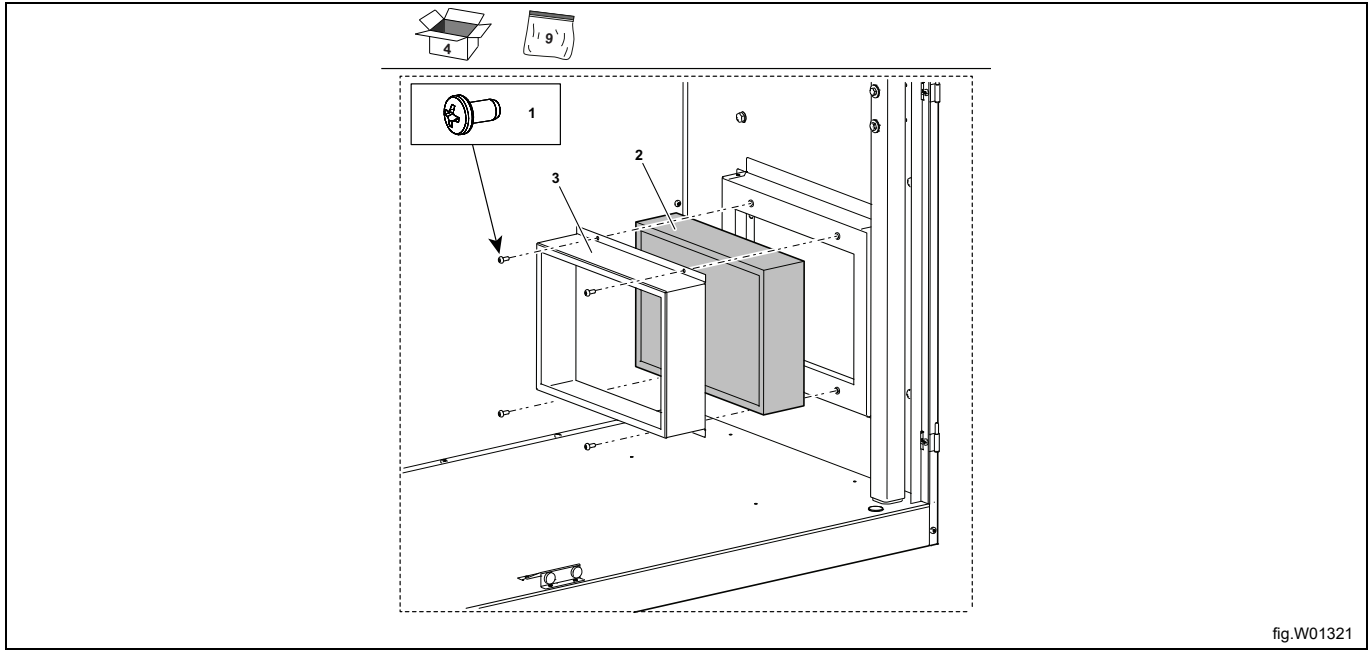


fig.W01321

		Box 1	Bag / Quantity									
			1	2	3	4	5	6	7	8	9	
1	Screws											4x
2	Filter holder	1x										
3	Lint filter	1x										

The filter is held by 4 screws and a filter holder.

4.10 Hanger assembly

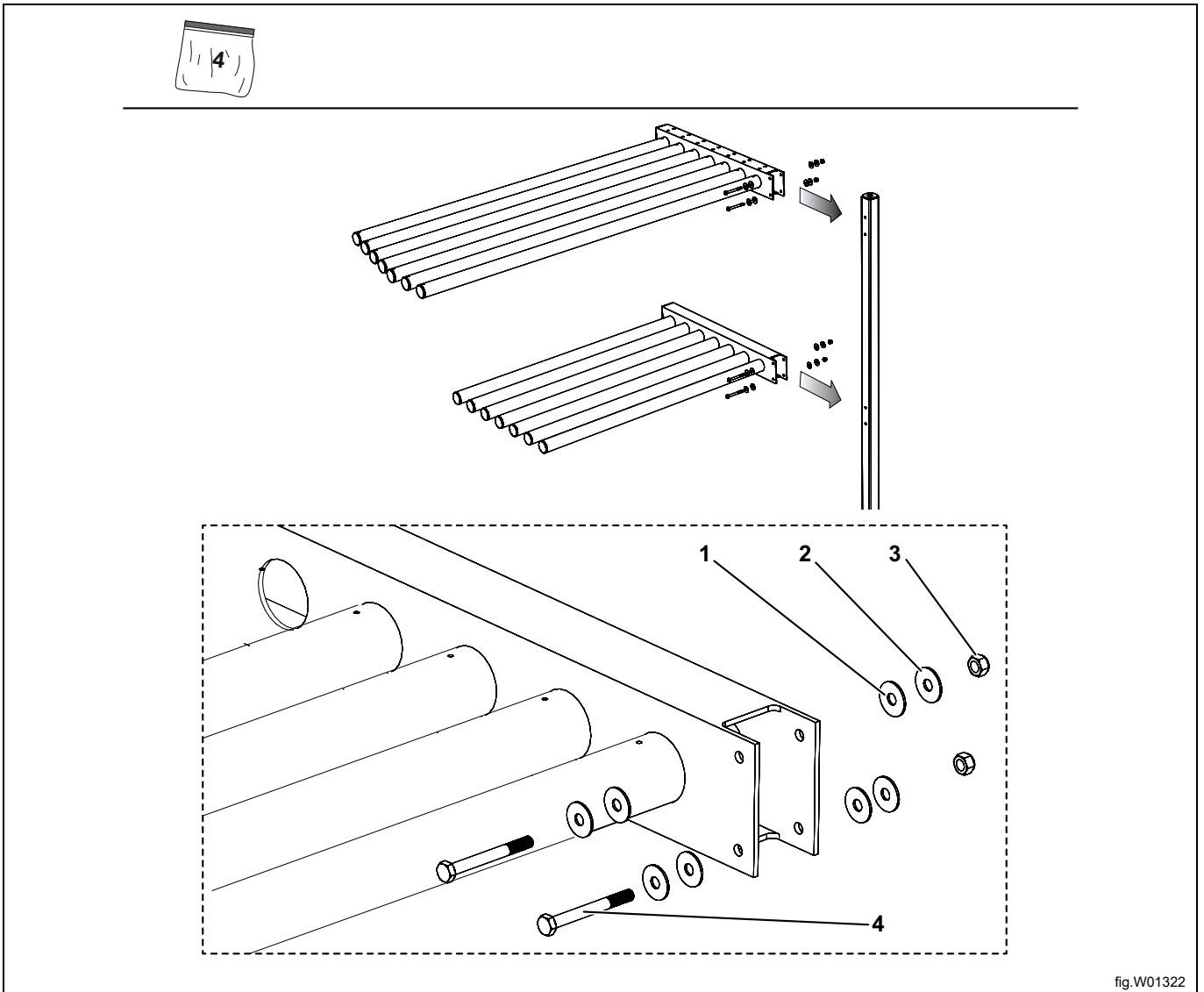


fig.W01322

		Box 1	Bag / Quantity								
			1	2	3	4	5	6	7	8	9
1	Plastic washer 8x25x1.5					8x					
2	Washer 8x25x1.5					8x					
3	Lock nut M8					4x					
4	M8x75					4x					

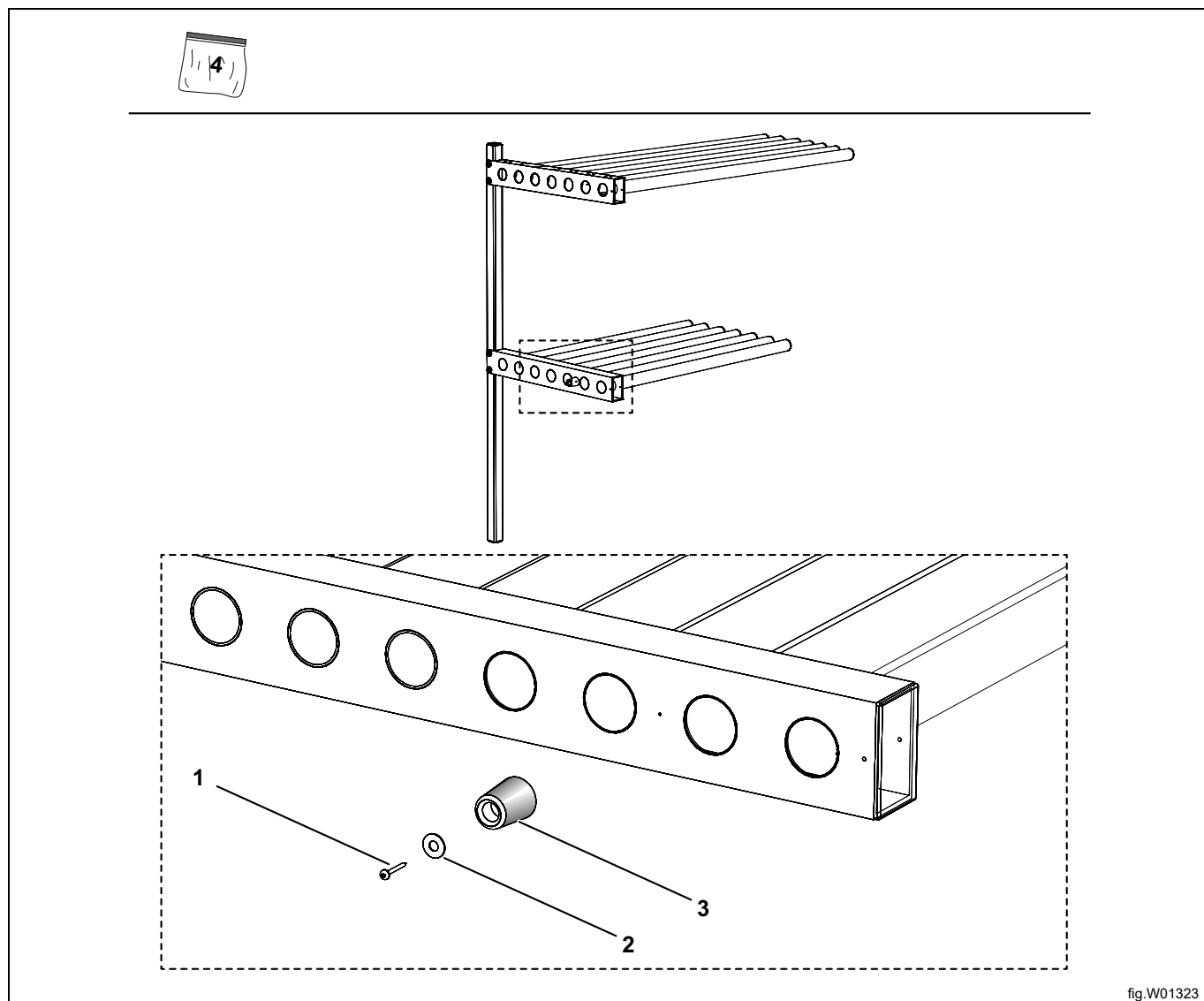


fig.W01323

		Box 1	Bag / Quantity								
			1	2	3	4	5	6	7	8	9
1	Metal screw 4.32x32					1x					
2	Washer 4x10x1					1x					
3	Door stop					1x					

4.11 Hanger installation

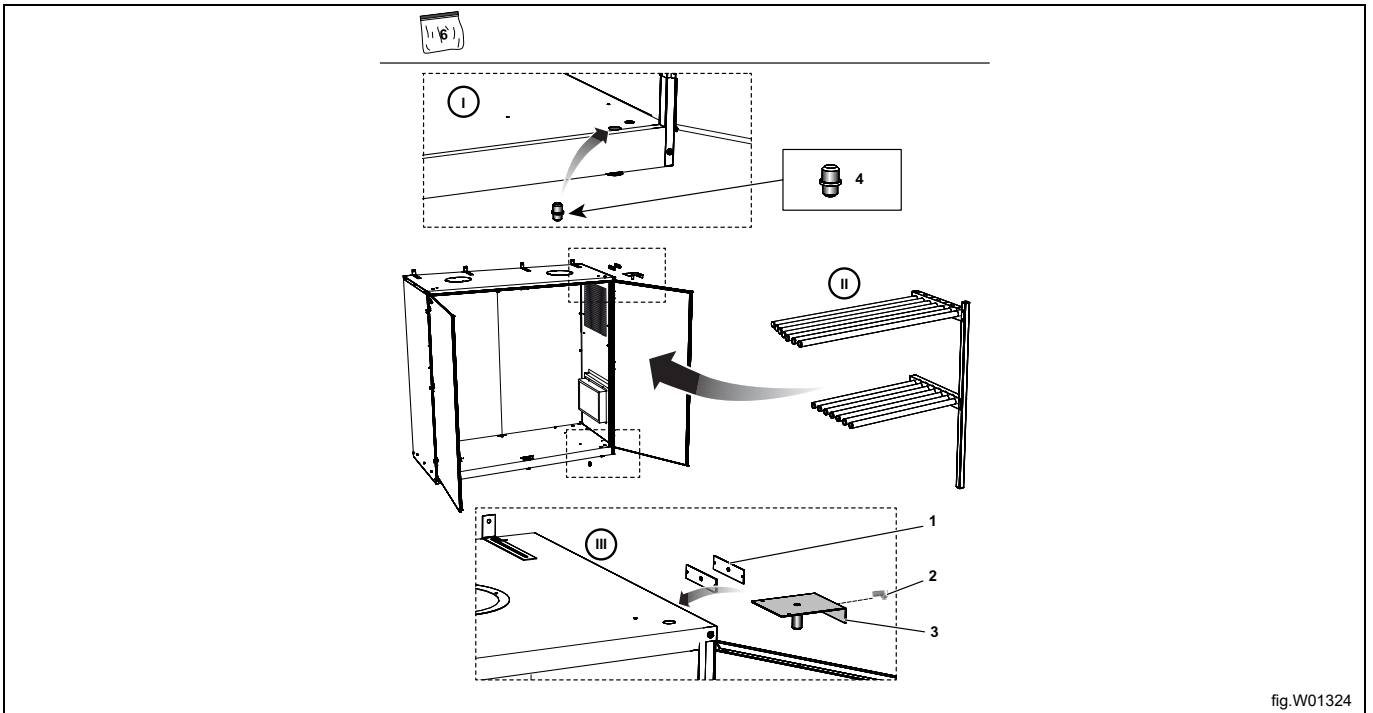


fig.W01324

		Box 1	Bag / Quantity									
			1	2	3	4	5	6	7	8	9	
1	Spacer plate	2x										
2	(Chapter 4.4 Roof)											
3	Upper bracket	1x										
4	Lower bracket								1x			

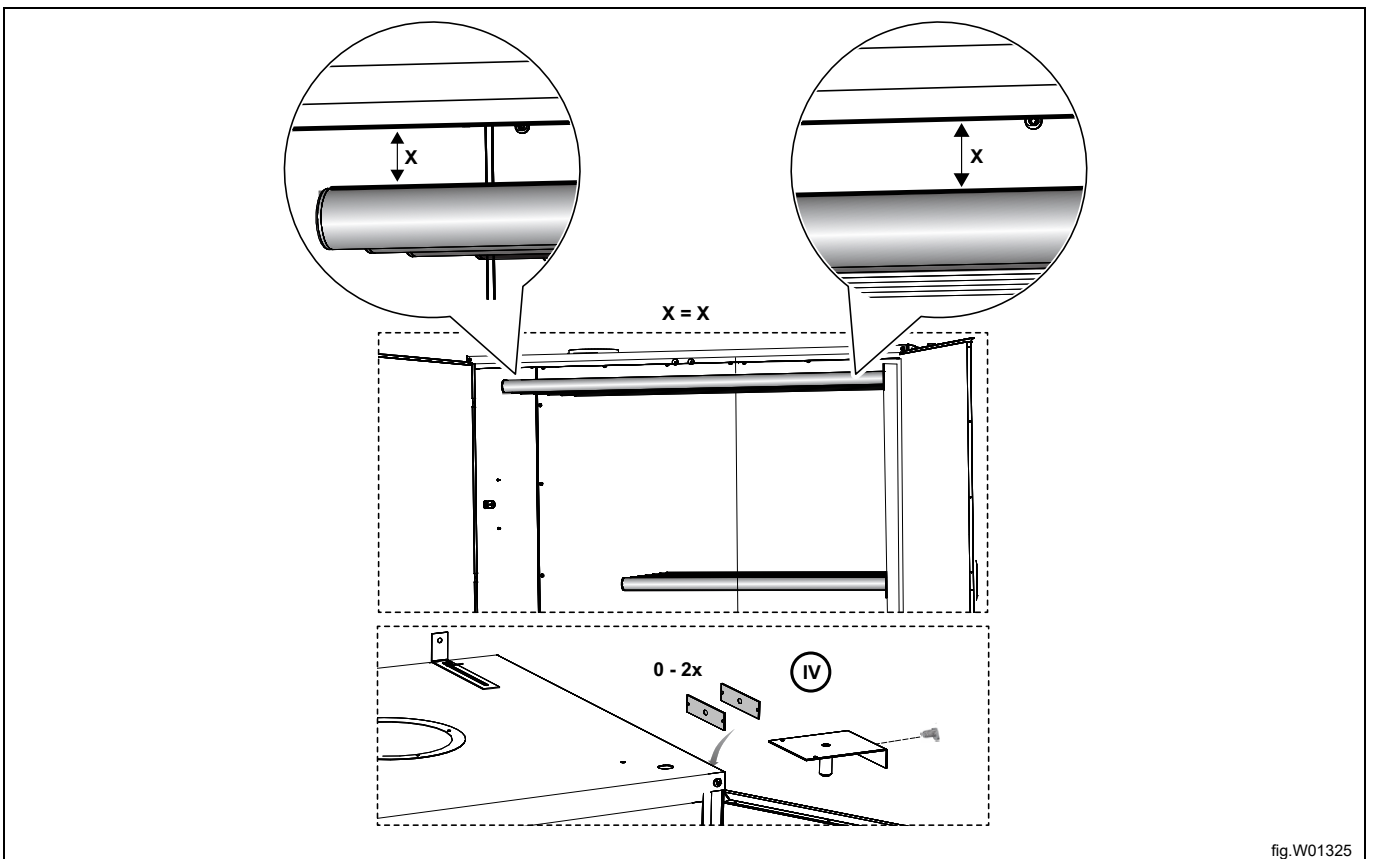
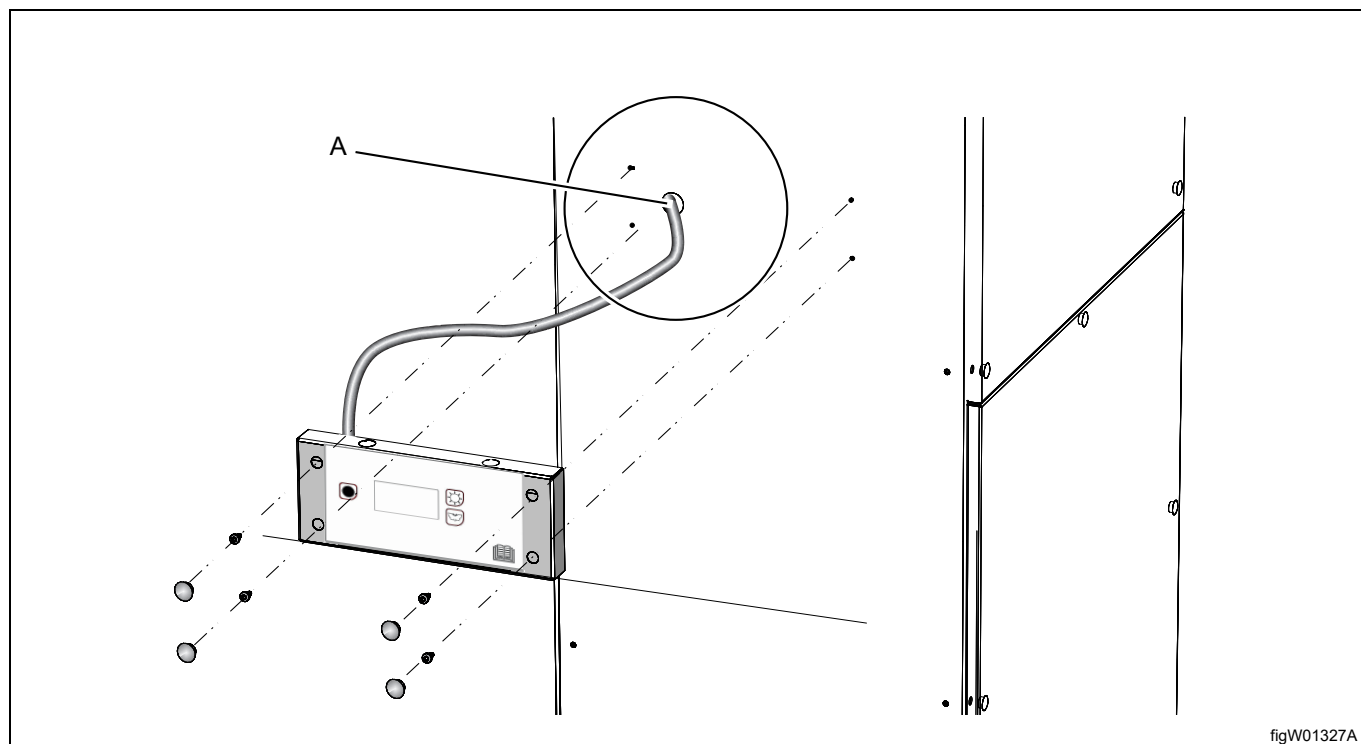


fig.W01325

Start by pulling the cable to the control panel through the hole (A) on the side of the heat pump unit.



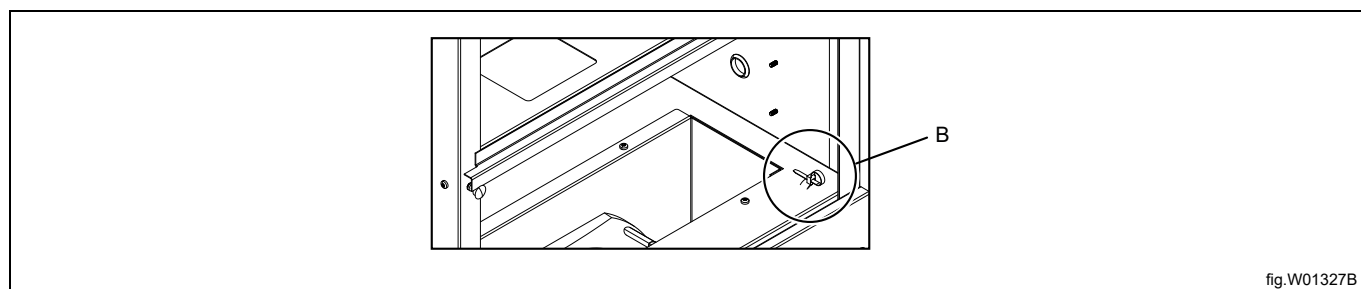
Mount the cable in the control unit (a “clicking sound” indicates that it is in position. Pull carefully in the cable to check that it is fastened correctly.

Depending on which side of the unit the control panel are mounted on the “left over cable” will be in different length.

- The unit are prepared with a premounted cable tie on one side of the unit. If the control panel are mounted on that side; arrange and fasten the cable in the holder.
- If the control panel are mounted on the other side; arrange and strap the cable in another suitable position.

Note!

The cable must not hang loose, this may cause the cable to get stuck in the fan.



Fasten the screws to the control panel.

5 Electrical connection



The electrical installation may only be performed by qualified personnel.
 Electrical connection of the cabinet must be done in accordance with electrical safety regulations.
 Make sure that the connection current is in line with the data on the identification plate and that the mains cable is grounded properly according to the applicable standard. We recommend that the mains cable be equipped with a ground fault interrupter.
 The manufacturer disclaims all liability if the electrical connection is not done in the manner prescribed in this manual.

Connection to the mains must be via an all-pole switch to 400V 3N AC 50Hz.

Electrical connections					
Heating alternative	Main voltage	Hz	Heating power kW	Total power kW	Recommended fuse A
Machines with heat pump	400V 3N~	50		3.2	10A slow-blow 10A automatic fuse

1. Total power and recommended fuse does not depend on the heating power in those cases.

- Unscrew the lower end plate on the heat pump component and unscrew the cover on the electrical box.
- Connect a 5-wire cable to the terminal block as indicated in the wiring diagram.
- Reinstall the parts.

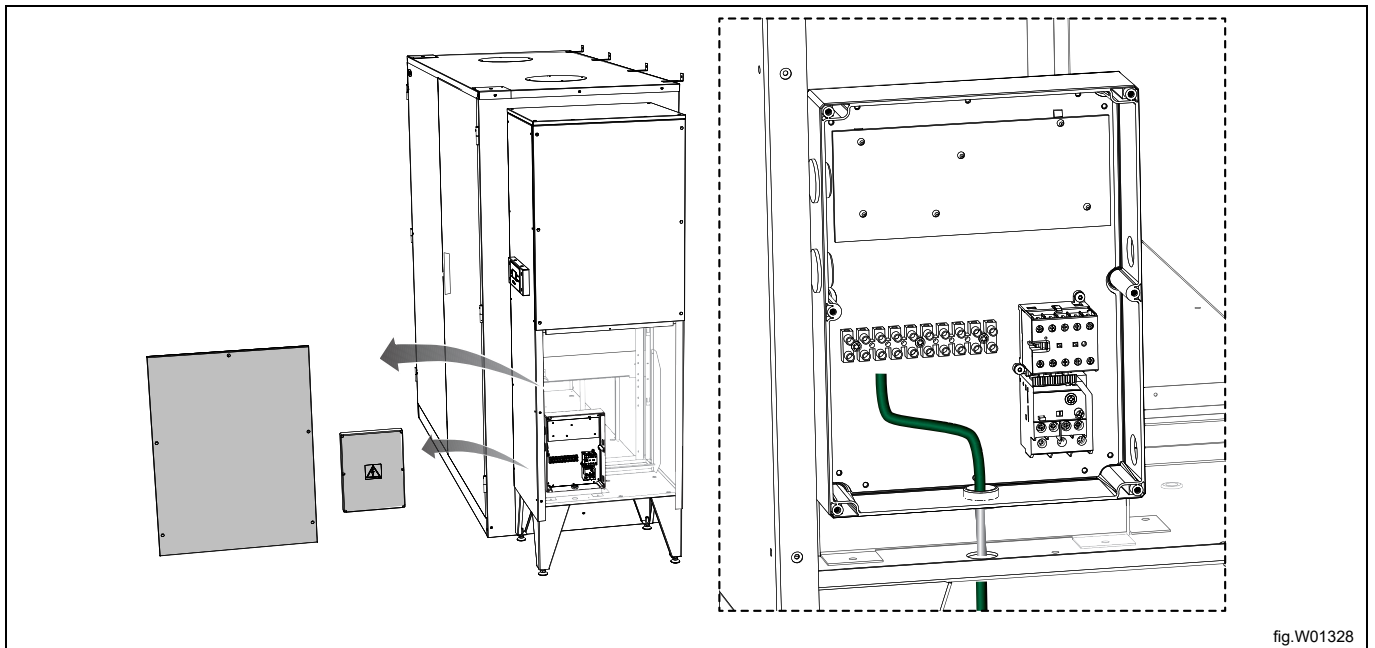


fig.W01328

5.1 Network Functions

Note!

Can only be used on premium products.

This product can be connected to ELS VISION or to an external payment system.

5.2 Connecting to ELS Vision

Connect the network cables GND, RX, TX, 24V to the terminal block. Connect the neutral position switch to terminal block positions 1 and 2.

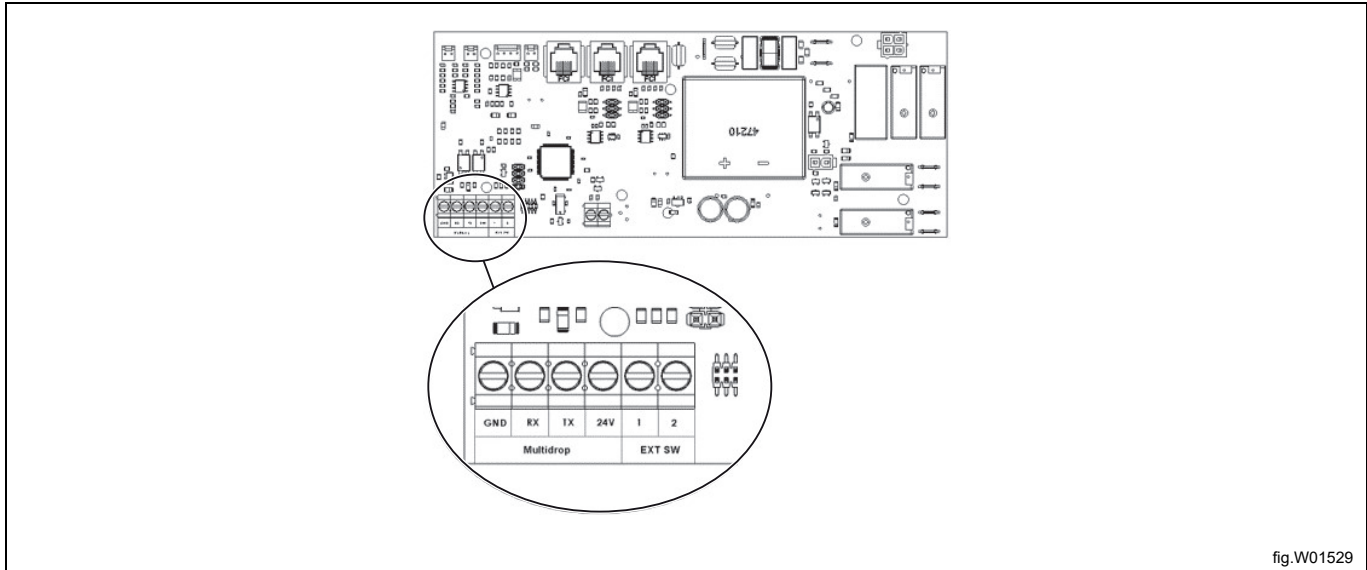


fig.W01529

Activate the connection to ELS Vision as follows:

- Activate the programming mode: Press STOP + SUN + BUTTERFLY. Press the Stop button first and then the program selection buttons simultaneously. The display lights up and shows "ACCESS 1000". To be able to move on, code 9191 must replace the code 1000.
- After the above, you will be at the first digit "1" in ACCESS 1000. Step to the digit "9" using the program selection buttons SUN (up) or BUTTERFLY (down). Then move to the next digit, in this case "0", using the STOP button. Increase this to "1" using the SUN button and then continue until "9191" is shown. Once you have set the last digit, press the STOP button and **access programming mode**.
- The first parameter and the factory-set value are then shown in the display. The row with the parameter flashes.
- Step forward or back with the SUN (increase) or BUTTERFLY (decrease) button to Parameter 117 is shown. Press STOP to confirm.
- Select the baud rate that matches the setting in ELS Vision:
 - 0: off, 1: 2400 bps, 2: 4800 bps, 3: 9600 bps. Use the Stop button to exit the parameter.
- Press STOP to save.
- Then access parameter 118 and set network address 1–127. Use the Stop button to exit the parameter.
- Press STOP to save.
- To exit programming mode, press STOP + BUTTERFLY (STOP button first).

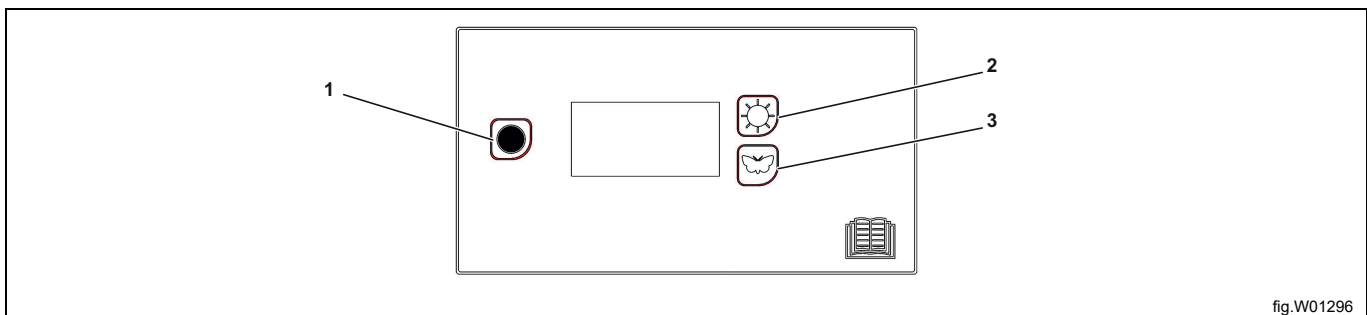
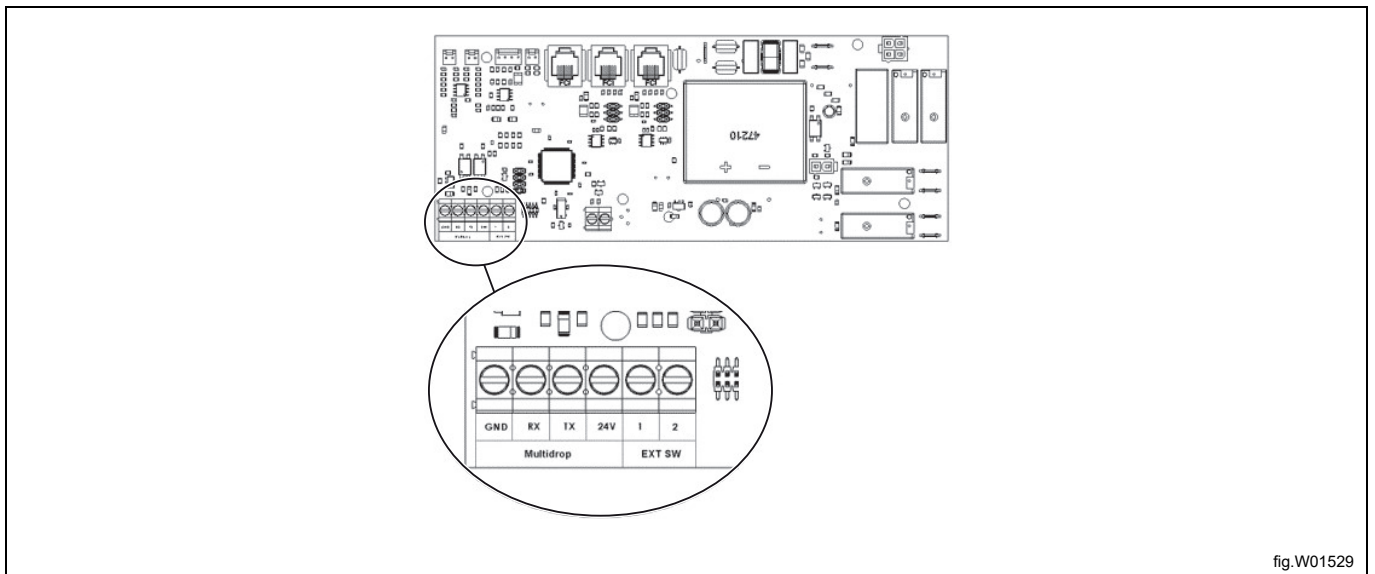


fig.W01296

1	Stop button
2	Sun button Extra drying
3	Butterfly button Normal drying

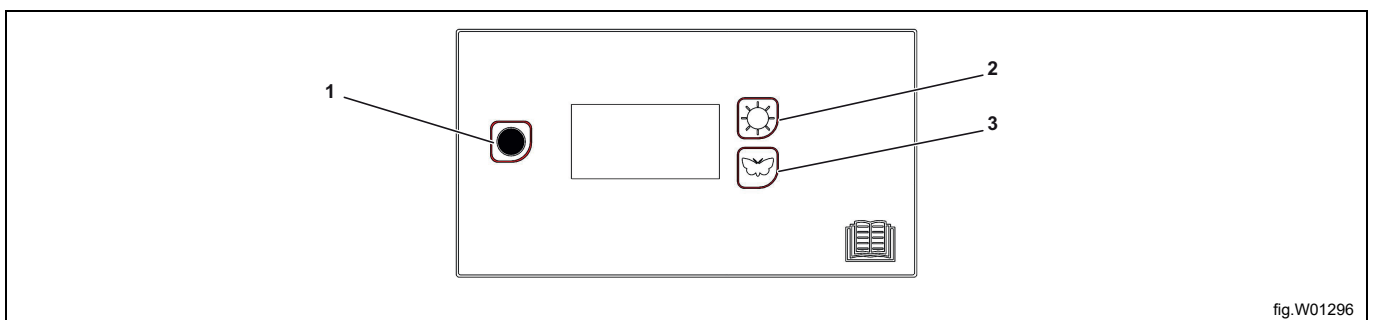
5.3 Connecting to an external payment system

Connect the cables from the external payment system to terminal block positions 1 and 2 "EXT SW".



Activate the connection to the external payment system as follows:

- Activate the programming mode: Press STOP + SUN + BUTTERFLY. Press the Stop button first and then the program selection buttons simultaneously. The display lights up and shows "ACCESS 1000". To be able to move on, code 9191 must replace the code 1000.
- After the above, you will be at the first digit "1" in ACCESS 1000. Step to the digit "9" using the program selection buttons SUN (up) or BUTTERFLY (down). Then move to the next digit, in this case "0", using the STOP button. Increase this to "1" using the SUN button and then continue until "9191" is shown. Once you have set the last digit, press the STOP button and **access programming mode**.
- The first parameter and the factory-set value are then shown in the display. The row with the parameter flashes.
- Step forward or back with the SUN (increase) or BUTTERFLY (decrease) button to Parameter 117 is shown. Press STOP to confirm.
- Set the parameter value to 1. This will activate the cabinet for network use. Use the Stop button to exit the parameter.
- Press STOP to save.
- To exit programming mode, press STOP + BUTTERFLY (STOP button first).



1	Stop button
2	Sun button Extra drying
3	Butterfly button Normal drying

5.4 Restore factory settings

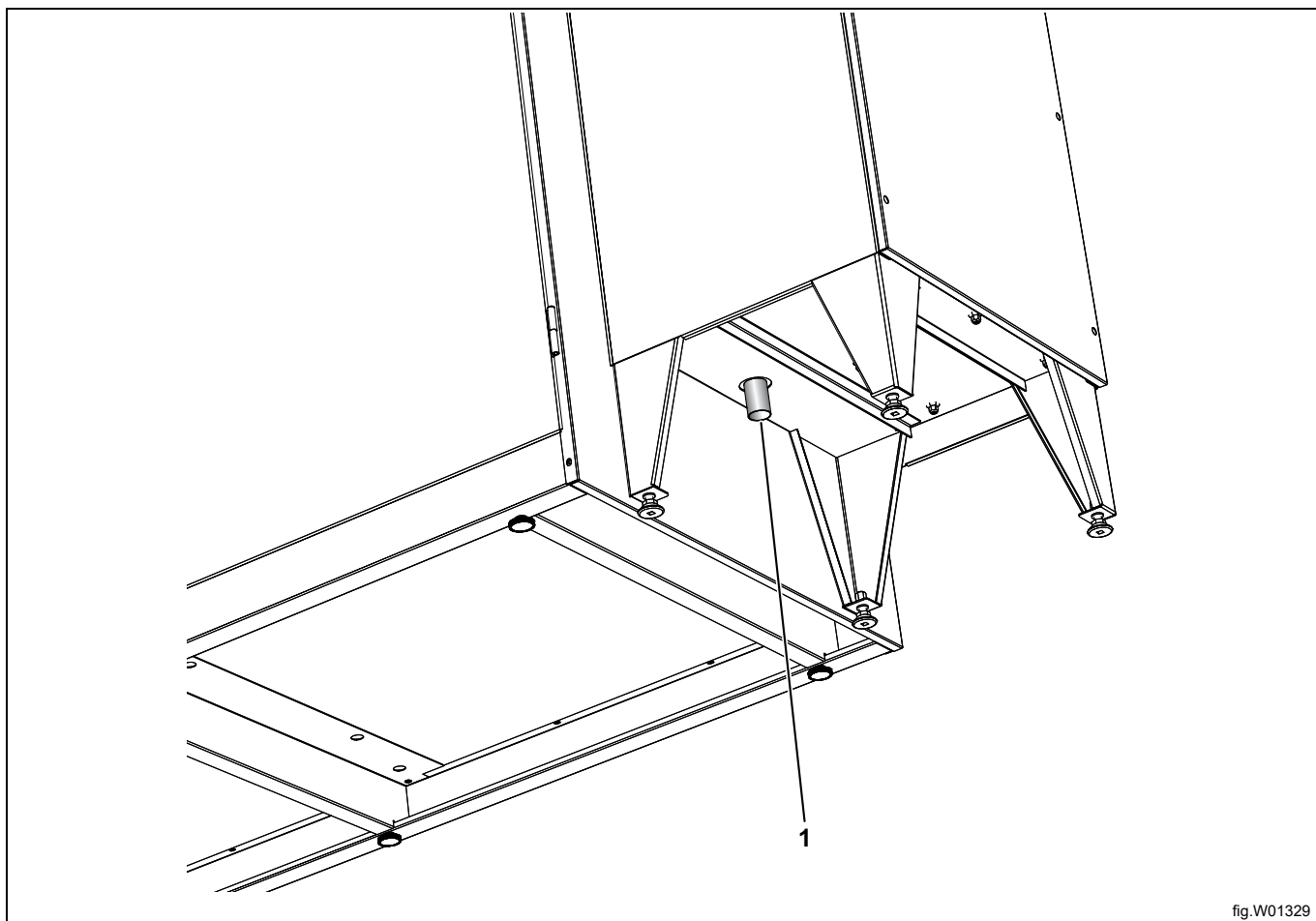
To restore the electronics to factory settings:

Press the Stop button, and then press both program buttons. The display shows FACT DEFS.

6 Condensation connection

The condensation outlet is located under the heat pump component as illustrated in the form of a pipe with a 32 mm diameter.

Connect a suitable hose and route it to the floor drain.



1	Pipe connection for condensation, dia 32 mm
---	---

7 Language setting

- Activate the programming mode: Press STOP + SUN + BUTTERFLY. Press the Stop button first and then the program selection buttons simultaneously. The display lights up and shows "ACCESS 1000". To be able to move on, code 9191 must replace the code 1000.
- After the above, you will be at the first digit "1" in ACCESS 1000. Step to the digit "9" using the program selection buttons SUN (up) or BUTTERFLY (down). Then move to the next digit, in this case "0", using the STOP button. Increase this to "1" using the SUN button and then continue until "9191" is shown. Once you have set the last digit, press the STOP button and **access programming mode**.
- The first parameter and the factory-set value are then shown in the display. The row with the parameter flashes.
- Step forward or back with the SUN (increase) or BUTTERFLY (decrease) button until "P 105" is shown.
- Once the display shows "P105", press STOP to confirm. The row below will now flash with the language symbol. Each language is assigned a number symbol as listed in the following table. The unit is factory-set to "1" (Swedish).
- Step to the required language with the SUN or BUTTERFLY button.
- Press STOP to save.
- To exit programming mode, press STOP + BUTTERFLY (STOP button first). The display will restart and the new language is set.

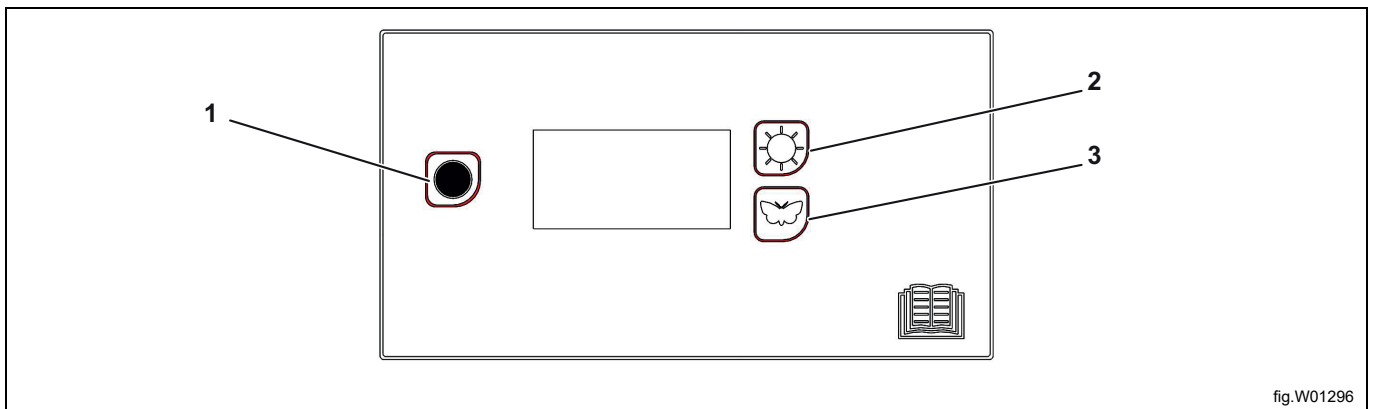


fig.W01296

1	Stop button
2	Sun button Extra drying
3	Butterfly button Normal drying

Language symbol	Display language
0	English
1	Swedish
2	Norwegian
3	Danish
4	Finnish
5	Russian
6	French
7	German

8 Function check



May only be performed by qualified personnel.



A function check must be performed when the installation is finished and before the appliance can be used.

Whenever a repair has been made, a function check must be performed before the appliance can be used again.

- Select any program and check that the drying cabinet is heating and that there are no odd noises.

Ready for use

If all tests are OK the appliance is now ready for use.

If any of the tests fail, or deficiencies or faults are detected, please contact your local service organization or supplier.

Use a mild dish soap with hot water to wipe the inside and outside of the drying cabinet. Wipe thoroughly.

9 Disposal information

9.1 Disposal of appliance at end of life

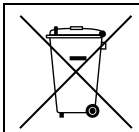
Before disposing of the machine, make sure to carefully check its physical condition, and in particular any parts of the structure that can give or break during scrapping.

The machine's parts must be disposed of in a differentiated way, according to their different characteristics (e.g. metals, oils, greases, plastic, rubber, etc.).

Different regulations are in force in the various countries, therefore comply with the provisions of the laws and competent bodies in the country where scrapping takes place.

In general, the appliance must be taken to a specialised collection/scrapping centre.

Dismantle the appliance, grouping the components according to their chemical characteristics, remembering that the compressor contains lubricant oil and refrigerant fluid which can be recycled, and that the refrigerator and heat pump components are special waste assimilable with urban waste.



The symbol on the product indicates that this product should not be treated as domestic waste, but must be correctly disposed of in order to prevent any negative consequences for the environment and human health. For further information on the recycling of this product, contact the local dealer or agent, the Customer Care service or the local body responsible for waste disposal.




Note!

When scrapping the machine, any marking, this manual and other documents concerning the appliance must be destroyed.

9.2 Disposal of packing

The packing must be disposed of in compliance with the current regulations in the country where the appliance is used. All the packing materials are environmentally friendly.

They can be safely kept, recycled or burned in an appropriate waste incineration plant. Recyclable plastic parts are marked as following examples.

 <p>PE</p>	<p>Polyethylene:</p> <ul style="list-style-type: none"> • Outer wrapping • Instructions bag
 <p>PP</p>	<p>Polypropylene:</p> <ul style="list-style-type: none"> • Straps
 <p>PS</p>	<p>Polystyrene foam:</p> <ul style="list-style-type: none"> • Corner protectors



Electrolux Professional AB
341 80 Ljungby, Sweden
www.electroluxprofessional.com