

Installation manual

Drying Cabinet

DC6-14



Electrolux
PROFESSIONAL

Contents

Contents

1	Safety Precautions	5
1.1	General safety information	5
1.2	Symbols	5
2	Technical data	6
3	Delivery	7
3.1	Transport unit	7
3.2	Box 1	8
3.3	Recommended tools	8
3.4	Placement	9
4	Assembly instructions	10
4.1	Bottom plate	10
4.2	Back piece	11
4.3	Side pieces	12
4.4	Roof	13
4.5	Doors	14
4.6	Door adjustment	15
4.7	Wall bracket	16
4.8	Glove hanger	17
4.9	Hanger assembly	18
4.10	Hanger installation	20
4.11	Fan heater	22
4.12	Electrical box	24
5	Recycling instruction for packaging	26
6	Evacuation system	27
6.1	Fresh air	27
6.2	Exhaust duct	27
6.3	Multiple cabinets	28
7	Electrical connection	29
7.1	Network Functions	29
7.2	Connecting to ELS Vision	30
7.3	Connecting to an external payment system	31
7.4	Restore factory settings	31
8	Language setting	32
9	Function check	33
10	Disposal information	34
10.1	Disposal of appliance at end of life	34
10.2	Disposal of packing	34

The manufacturer reserves the right to make changes to design and component specifications.

1 Safety Precautions

WARNING. This appliance is intended only for drying textiles washed in water.

DO NOT MODIFY THIS APPLIANCE.

Servicing shall be carried out only by authorized personnel.

Only authorized spare parts shall be used.

When performing service or replacing parts, the power must be disconnected.

A-weighted emission sound pressure level at workstations: <70 dB

Stationary appliances not fitted with means for disconnection from the supply mains having a contact separation in all poles that provide full disconnection under overvoltage category III, means for disconnection must be incorporated in the fixed wiring in accordance with the wiring rules.

Additional requirements for the following countries: AT, BE, BG, HR, CY, CZ, DK, EE, FI, FR, DE, GR, HU, IS, IE, IT, LV, LT, LU, MT, NL, NO, PL, PT, RO, SK, SI, ES, SE, CH, TR, UK:

- This appliance can be used in public areas.
- This appliance can be used by children aged from 8 years and above and persons with reduced physical, sensory or mental capabilities or lack of experience and knowledge if they have been given supervision or instruction concerning use of the appliance in a safe way and understand the hazards involved. Children shall not play with the appliance. Cleaning and user maintenance shall not be made by children without supervision.

Additional requirements for other countries:





- This appliance is not intended for use by persons (including children) with reduced physical, sensory or mental capabilities, or lack of experience and knowledge, unless they have been given supervision or instruction concerning use of the appliance by a person responsible for their safety. Children should be supervised to ensure that they do not play with the appliance.

1.1 General safety information

Do not hose down the machine with water.

In order to prevent damage to the electronics (and other parts) that may occur as the result of condensation, the machine should be placed in room temperature for 24 hours before being used for the first time.

1.2 Symbols

	Caution
	Caution, hot surface
	Read the instructions before using the machine.
	Be careful. The drying cabinet is top heavy and can tip over easily.

2 Technical data

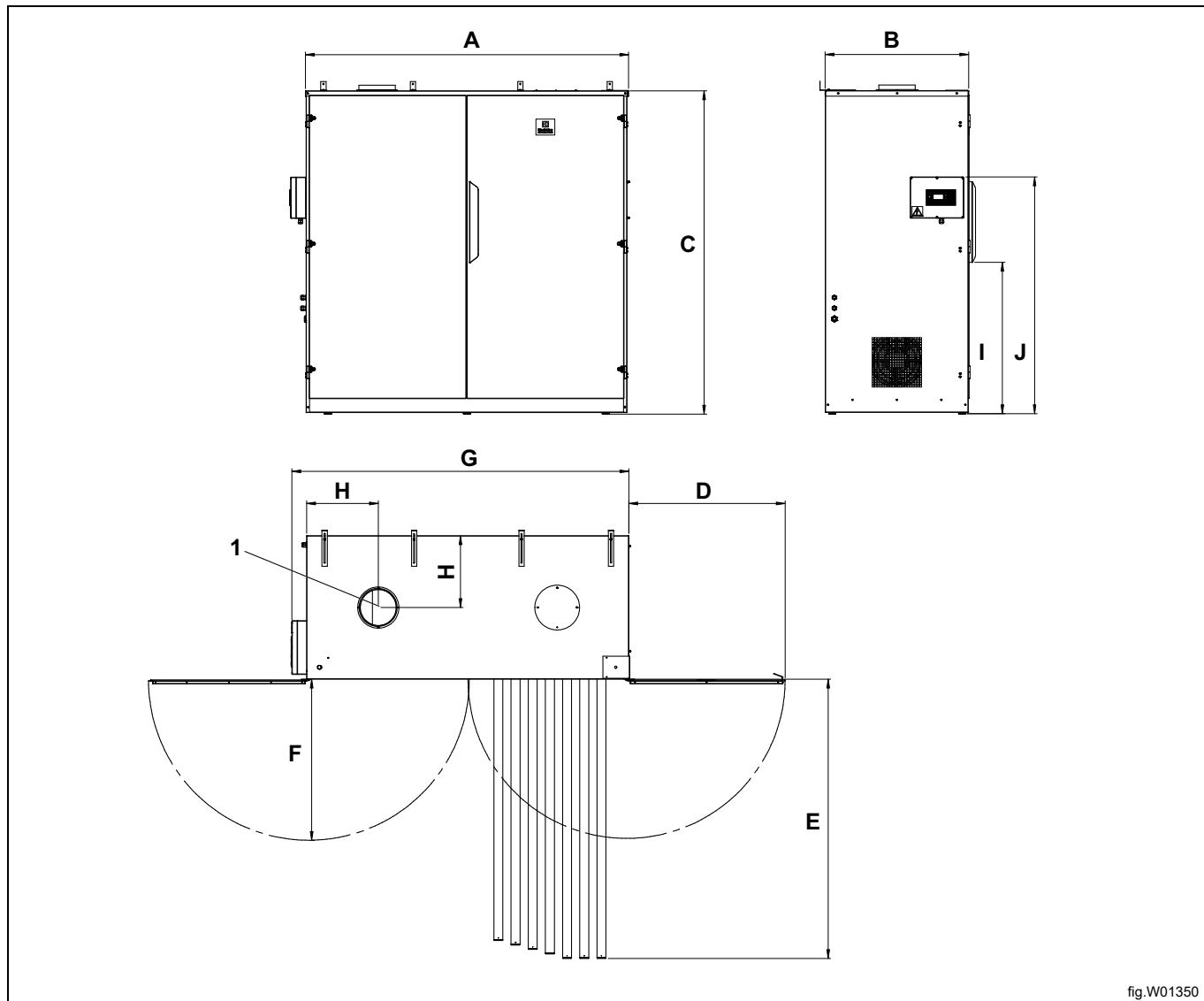


fig.W01350

	A	B	C	D	E	F	G	H	I	J
mm	1805	800	1805	875	1560	900	1885	400	850	1325

1	Air outlet
---	------------

Exhaust air connection \varnothing 200 mm, maximum permitted pressure drop 70 Pa, which corresponds to a straight pipe with a length of approx. 23 m. Net weight: 175 kg.

Connections

Air outlet*	\varnothing mm	200
Evacuated air quantity*	m ³ /h	400
Pressure drop*	Max. Pa	0*

* Duct fan required.

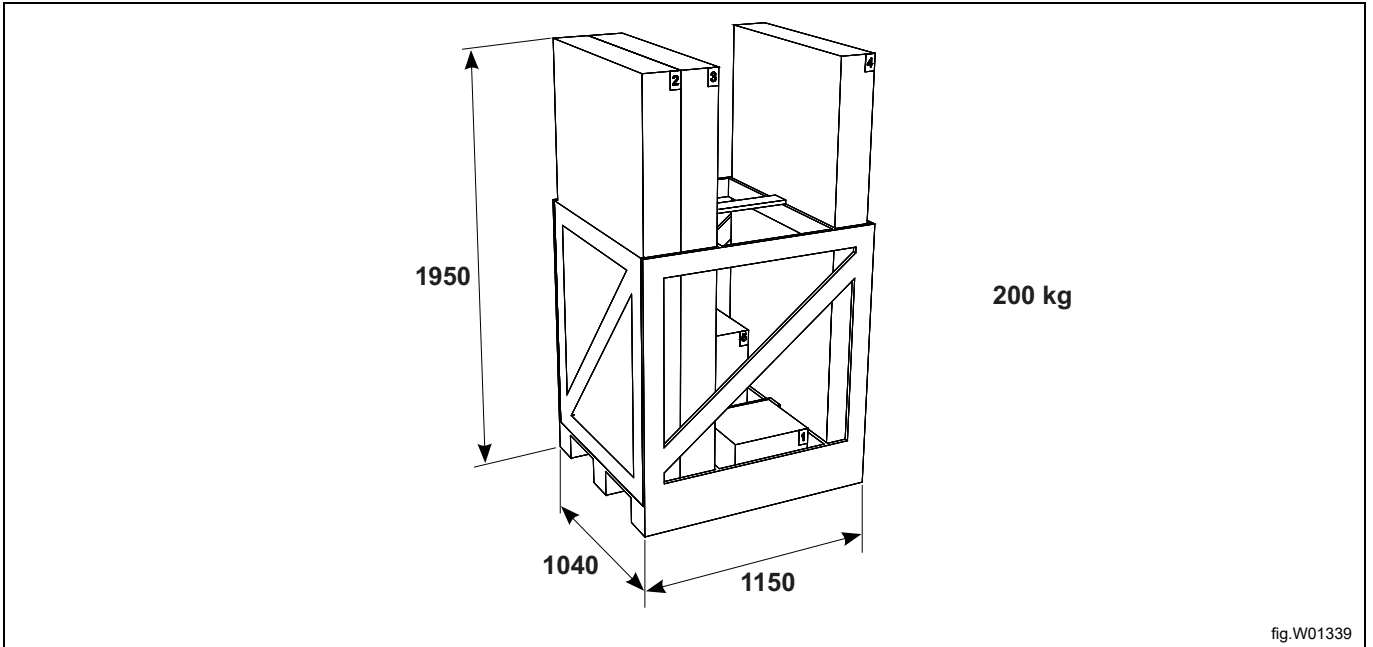
3 Delivery

The cabinet is delivered unassembled on a transport unit.

The cabinet component is assembled as instructed in this manual. The electric fan heater is fully assembled upon delivery.

3.1 Transport unit

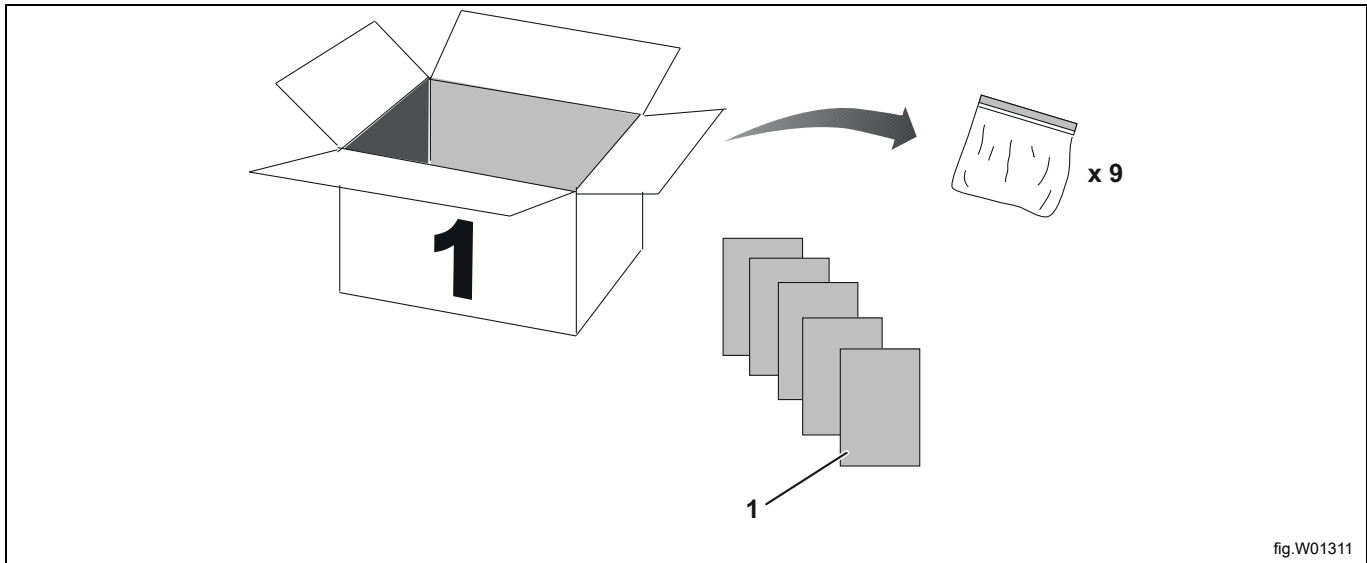
The transport unit contains 5 boxes with the content described below.



Box no.	Contents
1	Small components, minor plate pieces, all documentation. See page 8
2	Bottom, Left Door, Left Back Plate, Right Back Plate
3	Right Door, Top, Right Side Plate, Left Side Plate
4	Interior kit, Hangers
5	Electric fan heater

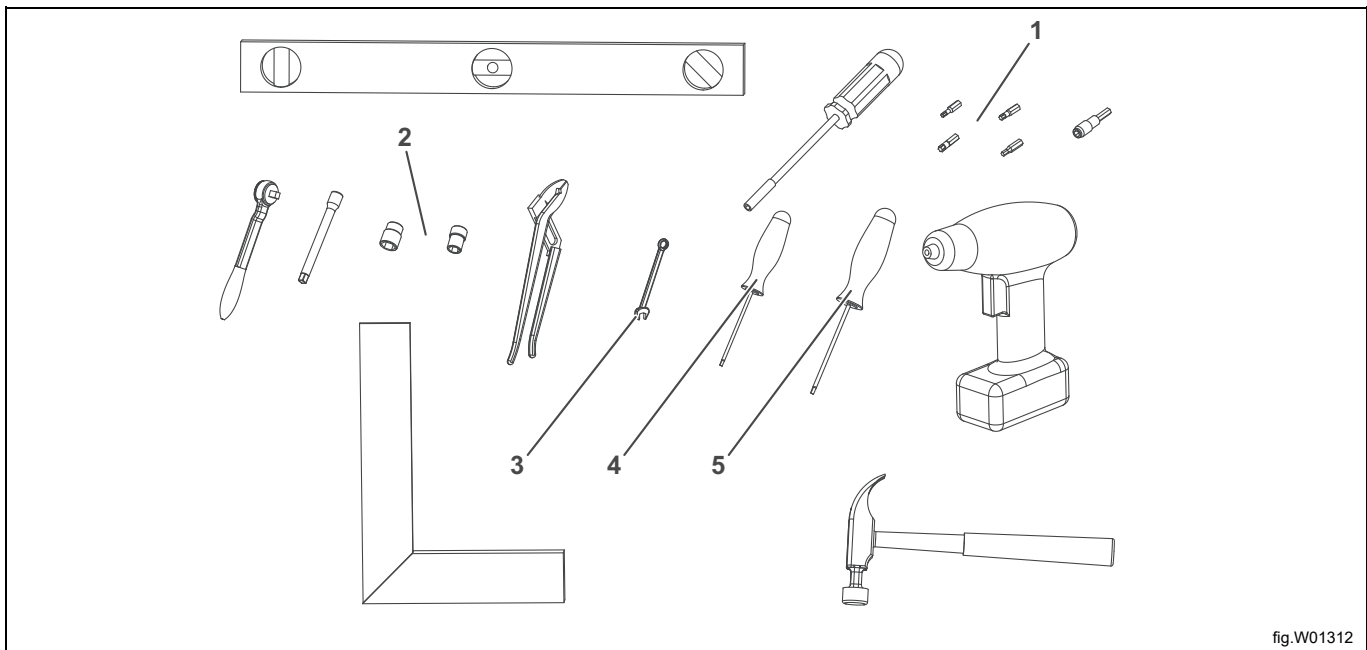
3.2 Box 1

Box 1 contains 8 bags. The content of these is found in the installation instructions below.



1	User Manual (OM) / Installation Manual (IM) / Assembly Instructions / Wiring Diagram / Disposal Instructions
---	--

3.3 Recommended tools



1	Bits Torx, T10, T20, T25, T30. Allen key 4.0
2	Socket 10 mm and 13 mm
3	Fixed wrench 7 mm
4	Slotted screwdriver 0.5 x 3
5	Slotted screwdriver 8 x 150

Other tools as illustrated.

3.4 Placement

The drying cabinet intended for placement indoors in dry place.

Place the bottom plate in the final position of the drying cabinet.

The drying cabinet should be positioned so that there is plenty of room for working, both for the user and service personnel.

Cabinet in left-hung door version has the air intake on this side at floor level. It is therefore important to leave space here to ensure air circulation is not inhibited.

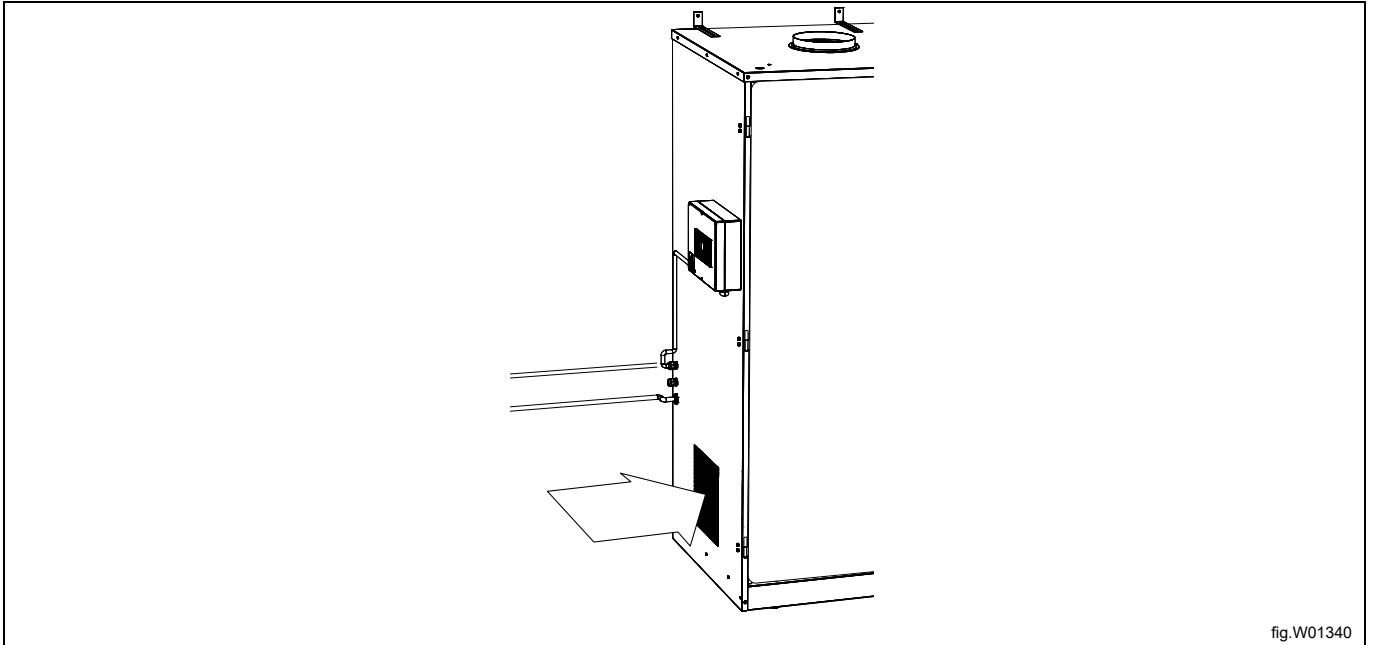


fig.W01340

4 Assembly instructions

4.1 Bottom plate

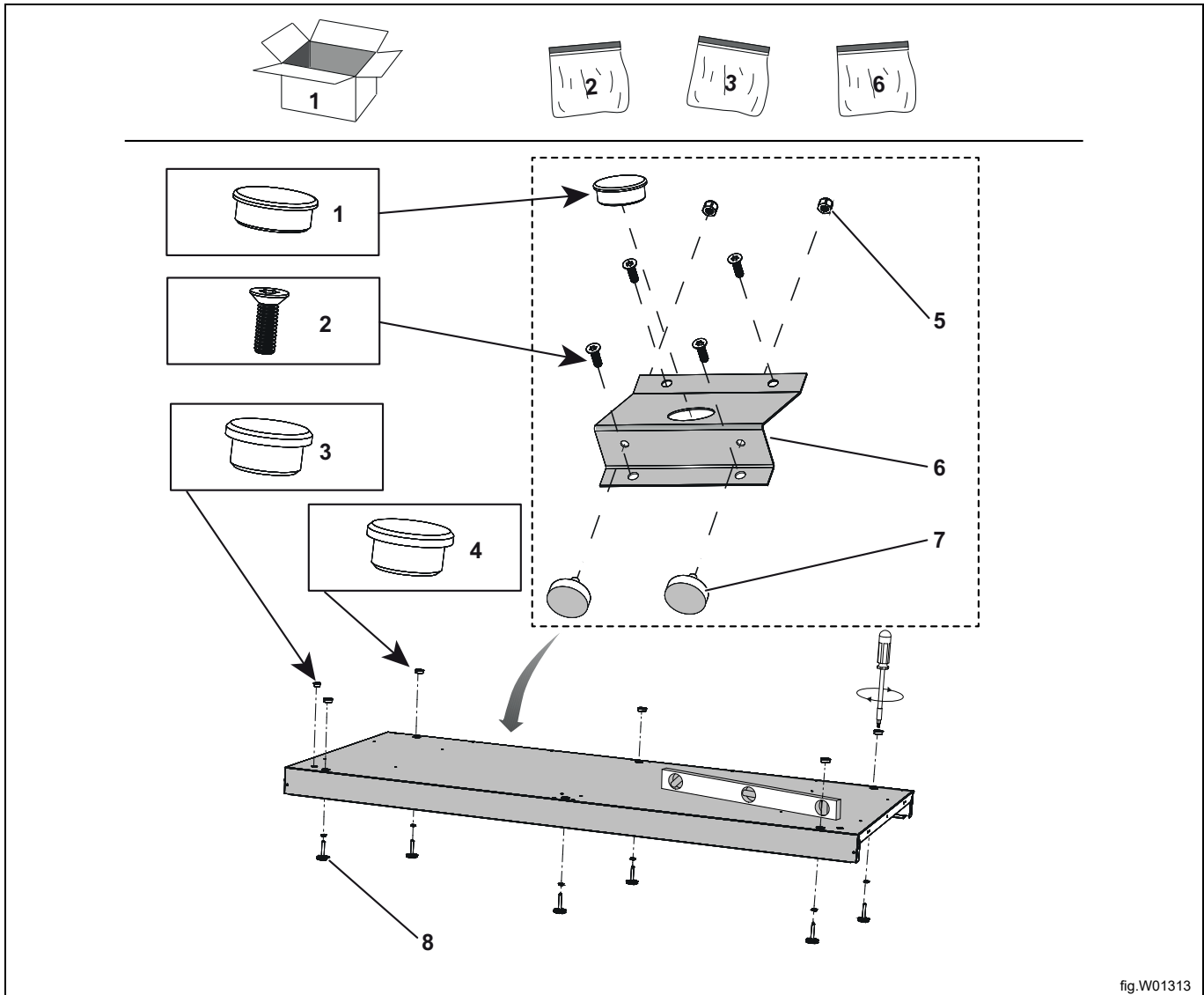
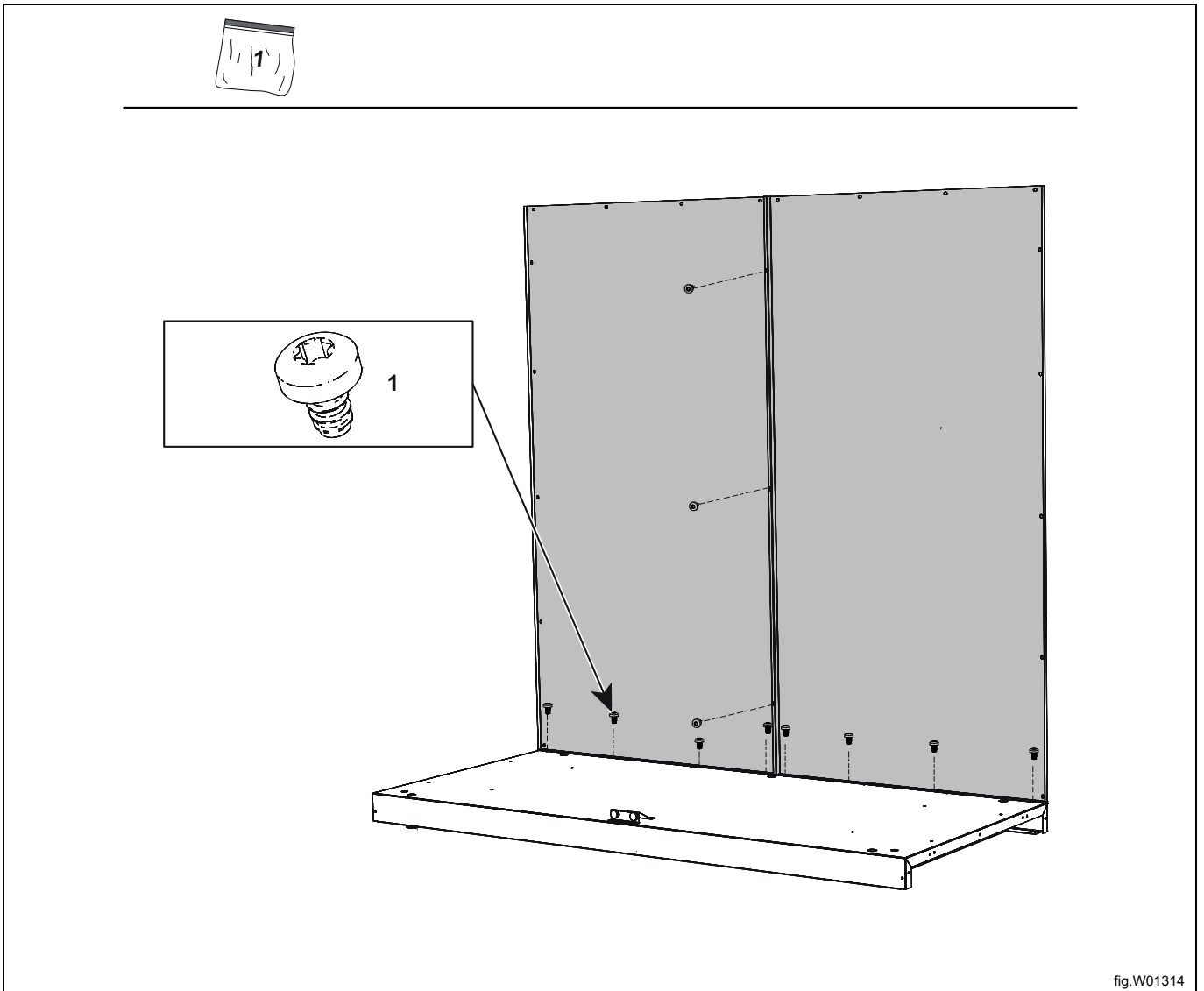


fig.W01313

		Box 1	Bag / Quantity								
			1	2	3	4	5	6	7	8	
1	Cover plug			1x							
2	M4x12			4x							
3	End cap								1x		
4	Cover plug			5x							
5	Lock nut M4			2x							
6	Magnetic holder	1x									
7	Magnet			2x							
8	Foot screw				6x						

4.2 Back piece



		Box 1	Bag / Quantity							
			1	2	3	4	5	6	7	8
1	M6x10		11x							

4.4 Roof

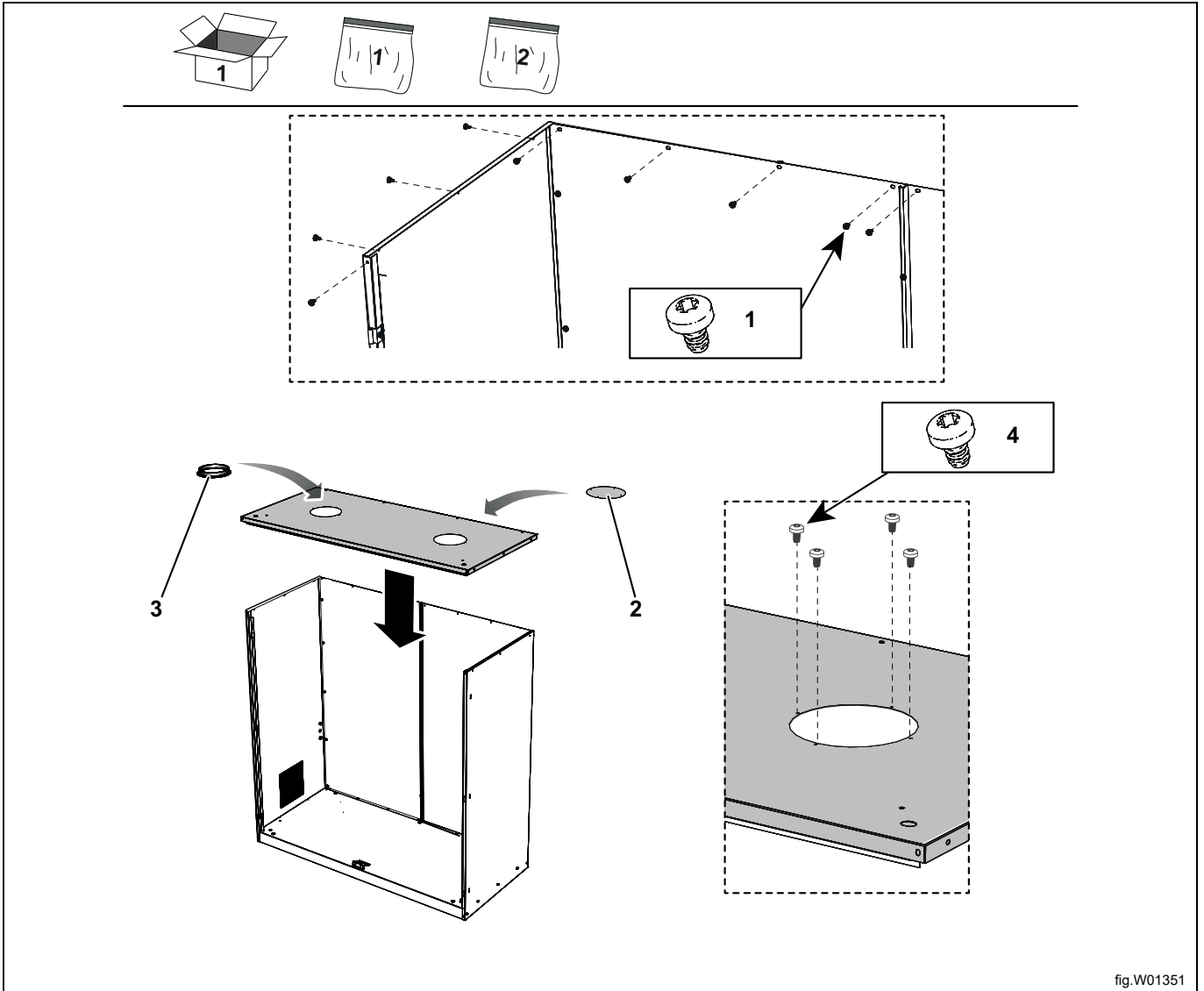


fig.W01351

		Box 1	Bag / Quantity							
			1	2	3	4	5	6	7	8
1	M6x10		16x							
2	Cover	1x								
3	Evacuation connection	1x								
4	RTK B8, 4.2x6.5			8x						

4.6 Door adjustment

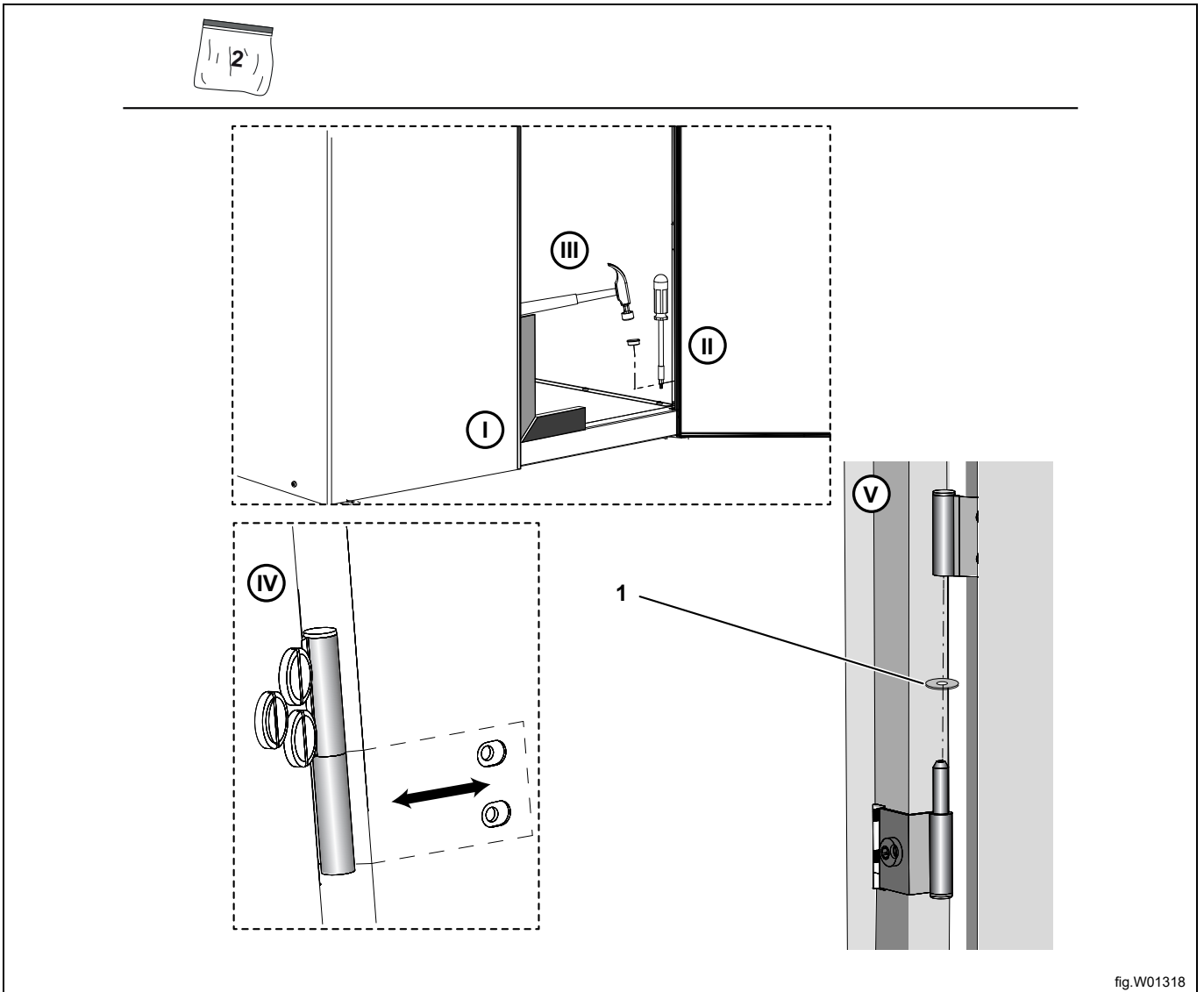


fig.W01318

		Box 1	Bag / Quantity							
			1	2	3	4	5	6	7	8
1	Washer 7x12x1.5			6x						

4.9 Hanger assembly

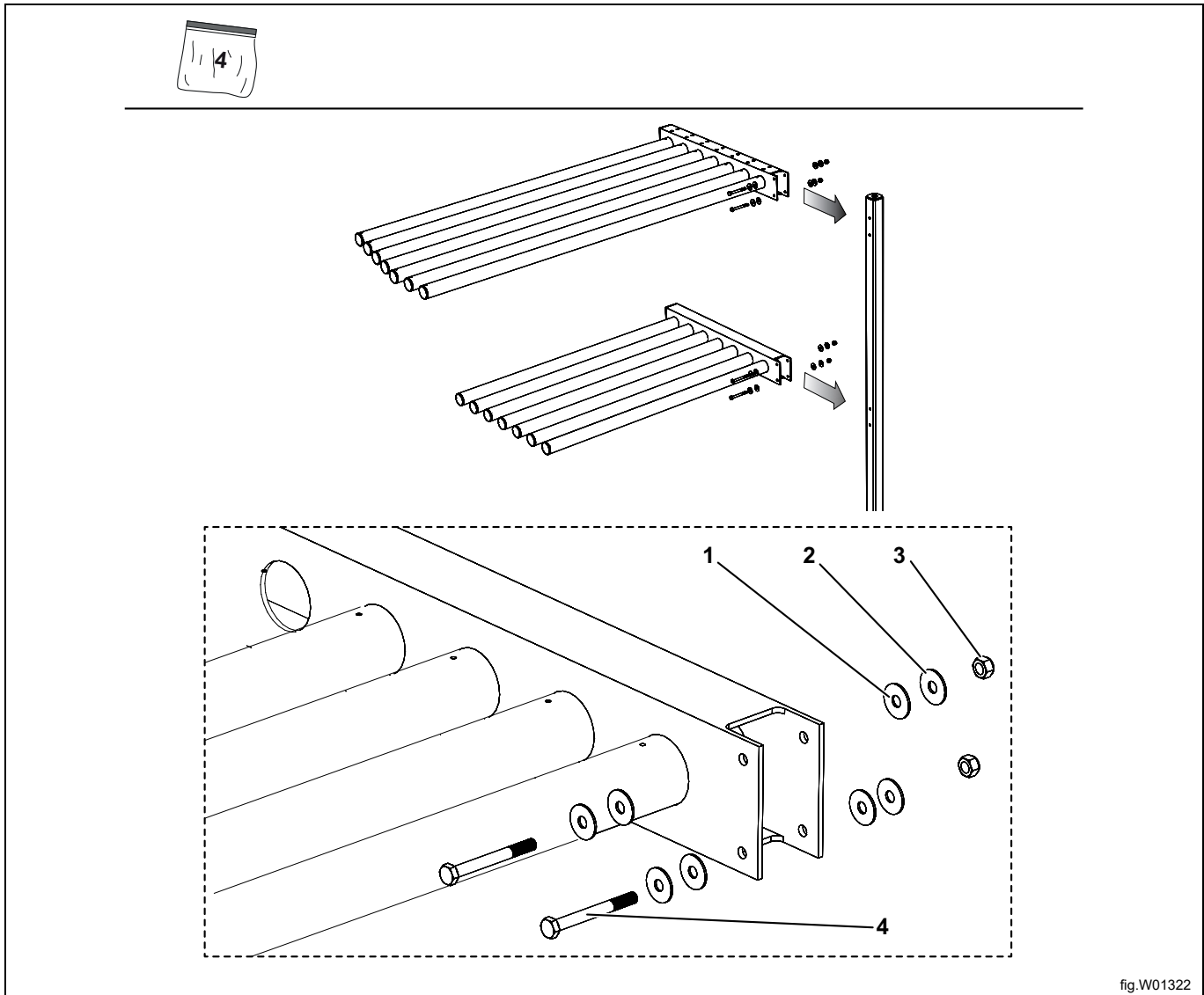


fig.W01322

		Box 1	Bag / Quantity								
			1	2	3	4	5	6	7	8	
1	Plastic washer 8x25x1.5					8x					
2	Washer 8x25x1.5					8x					
3	Lock nut M8					4x					
4	M8x75					4x					

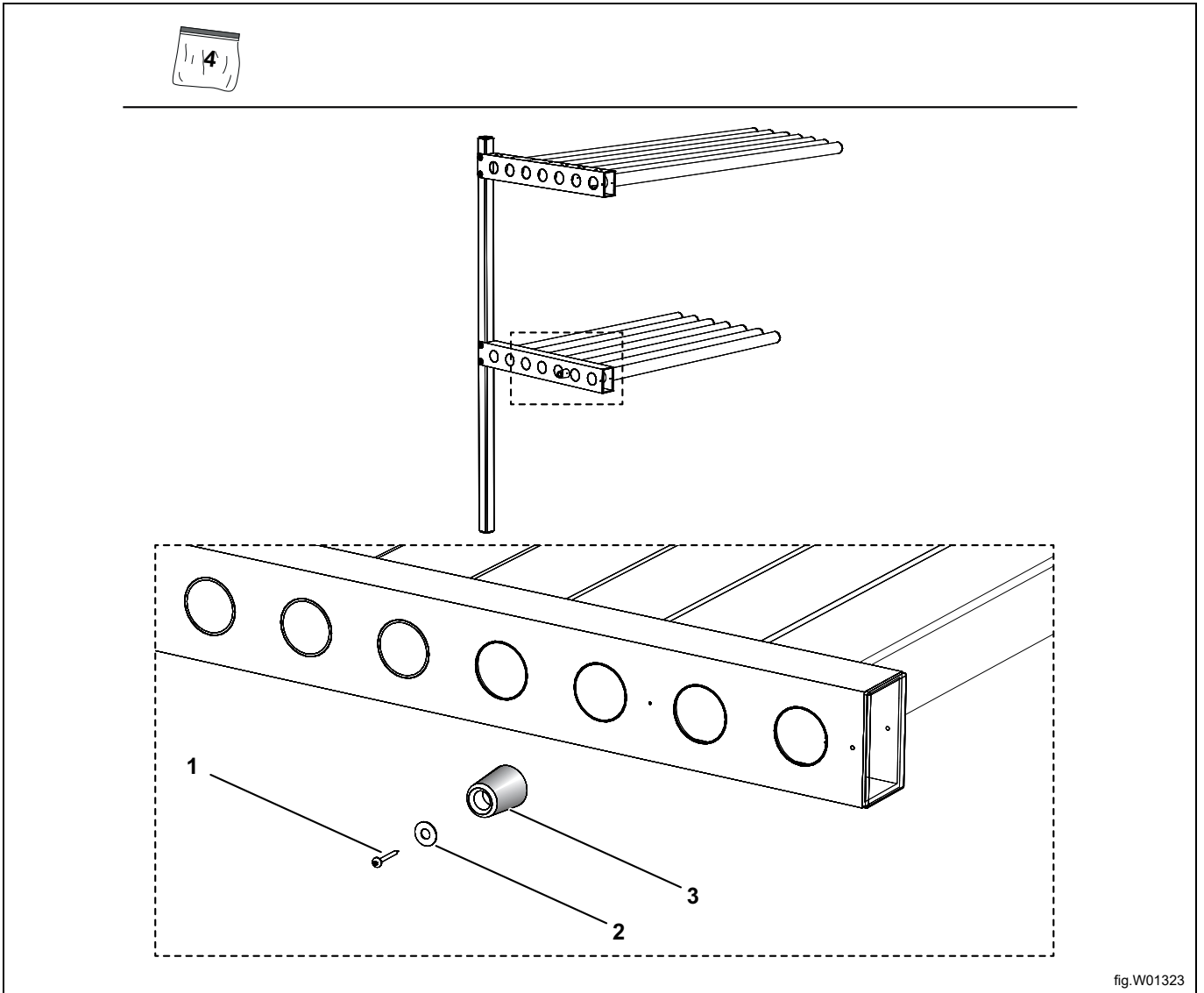


fig.W01323

		Box 1	Bag / Quantity							
			1	2	3	4	5	6	7	8
1	Metal screw 4.32x32					1x				
2	Washer 4x10x1					1x				
3	Door stop					1x				

4.10 Hanger installation

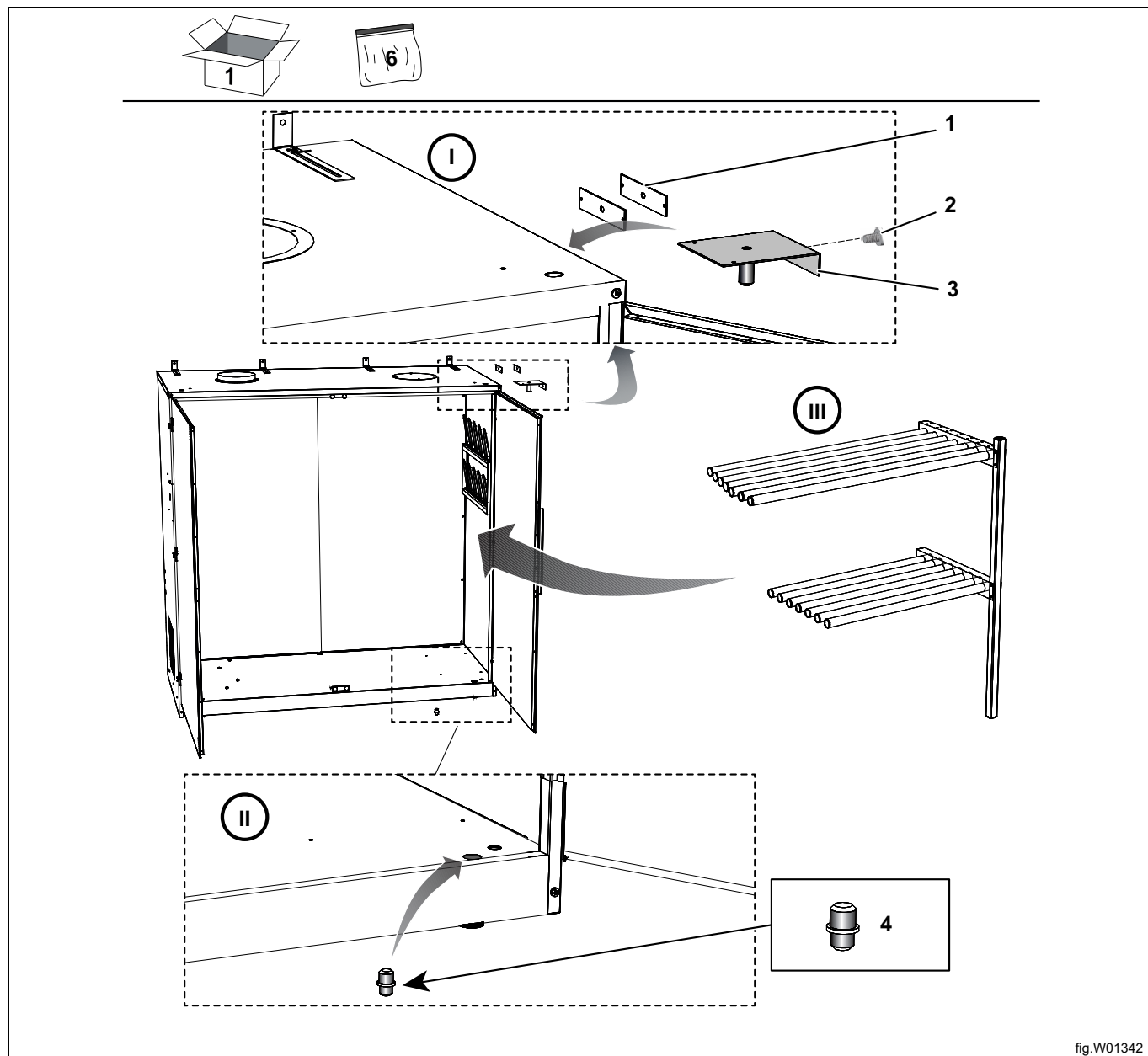


fig.W01342

		Box 1	Bag / Quantity								
			1	2	3	4	5	6	7	8	
1	Spacer plate	2x									
2	(Chapter 4.4 Roof)										
3	Upper bracket	1x									
4	Lower bracket								1x		

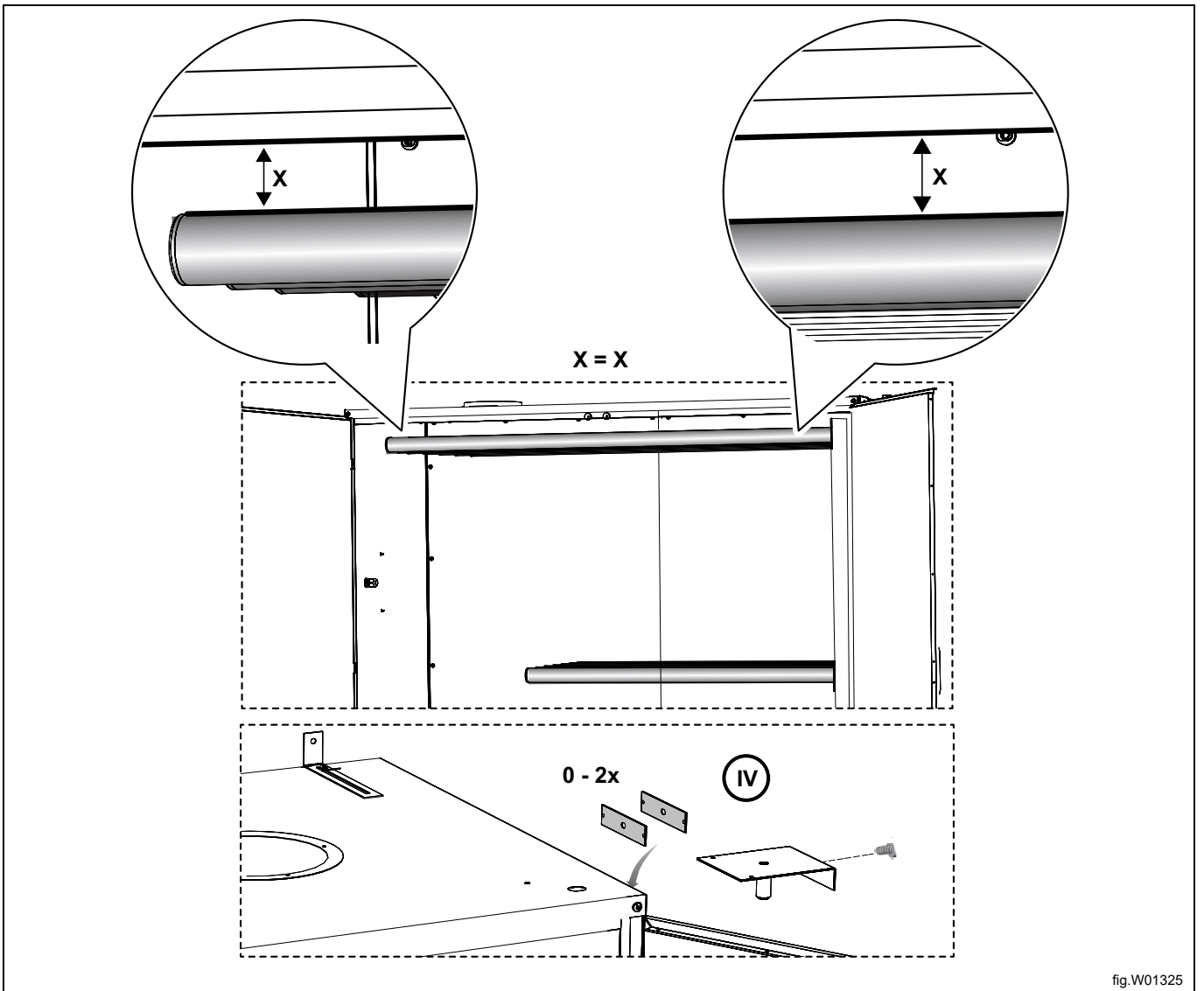


fig.W01325

The electrical box contains electronics and moisture sensors that control the drying process and turns off the appliance when the laundry is dry.

The electrical box is installed on the left side of a cabinet in left-mounted door version on the right side for a right-mounted door version.

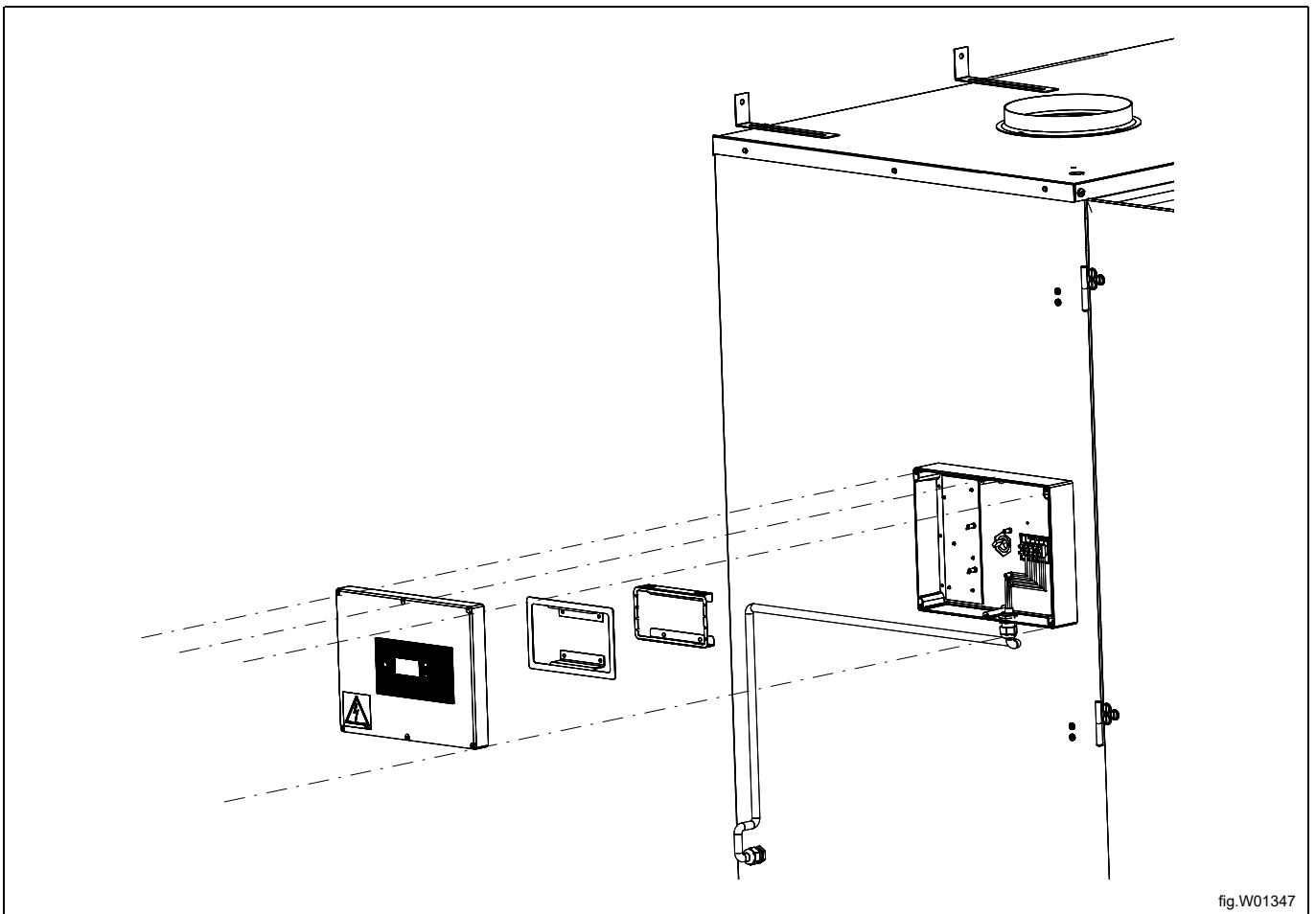
The cover of the electrical box must be removed to screw the end plate in place.

The holes for fastening screws are predrilled, and the screws are included in the installation kit.

Connection, see wiring diagram.



Electrical box and fan heater connection may only be performed by the manufacturer, their service agent or another qualified electrician!



5 Recycling instruction for packaging

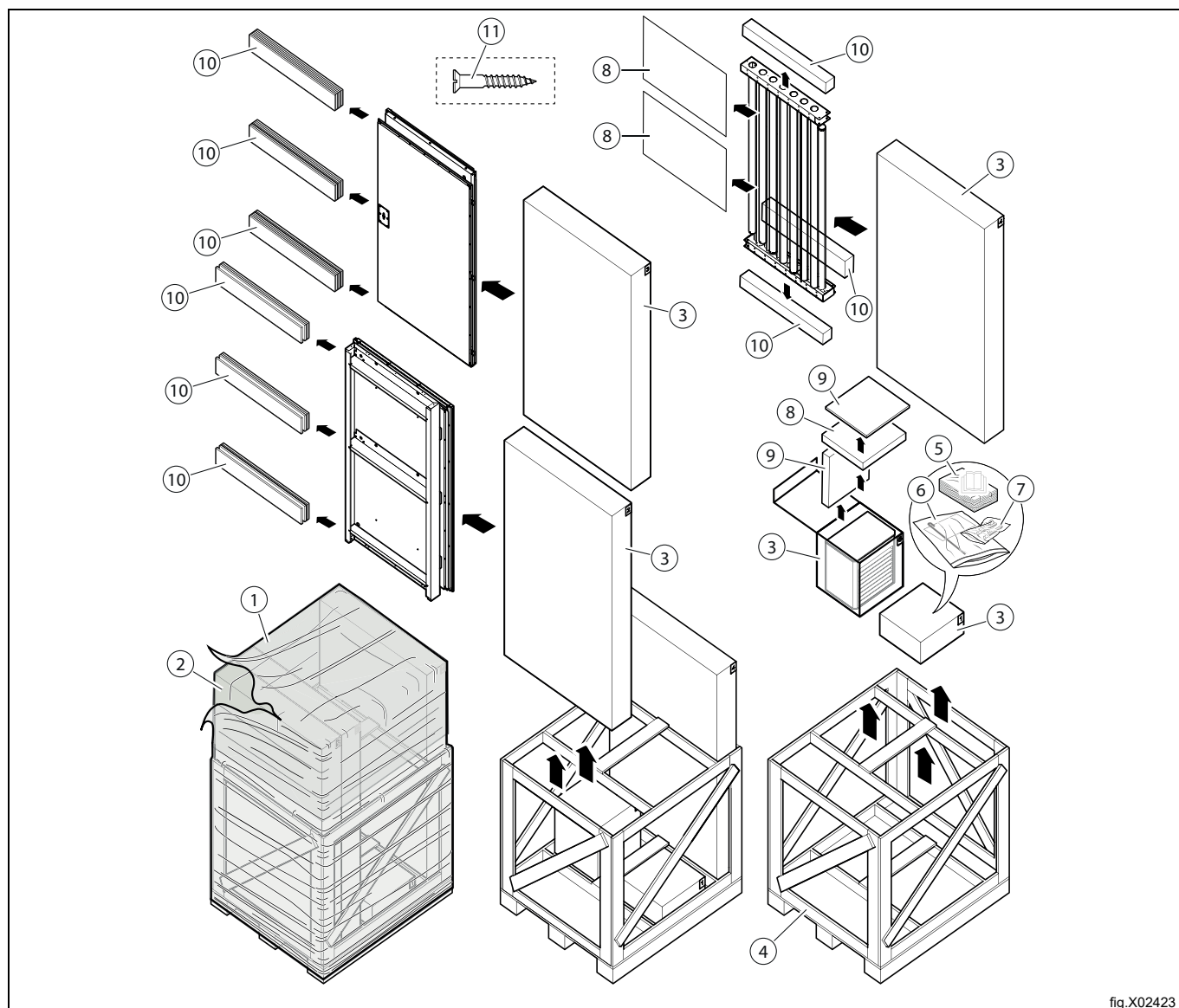


fig.X02423

Fig.	Description	Code	Type
1	Wrapping film	LDPE 4	Plastics
2	Plastic cover	LDPE 4	Plastics
3	Cardboard protection box	PAP 20	Paper
4	Pallet/Cage	FOR 50	Wood
5	Wrapping film	LDPE 4	Plastics
6	Plastic bag	LDPE 4	Plastics
7	Plastic bag	LDPE 4	Plastics
8	Foam	LDPE 4	Plastics
9	Cardboard protection plate	PAP 20	Paper
10	Styrofoam	LDPE 4	Plastics
11	Screw	FE 40	Steel

6 Evacuation system

6.1 Fresh air

The drying cabinet has an exhaust air flow of up to 400 cubic meters per hour. This air is initially taken from the room where the drying cabinet is situated.

It is therefore important to ensure that fresh air can enter the room from the outside to replace the humid air that is vented out.

The area of the air intake must be five times larger than the area of the exhaust air duct.

The resistance in the grid/damper must not exceed 10 Pa (0.1 mbar).

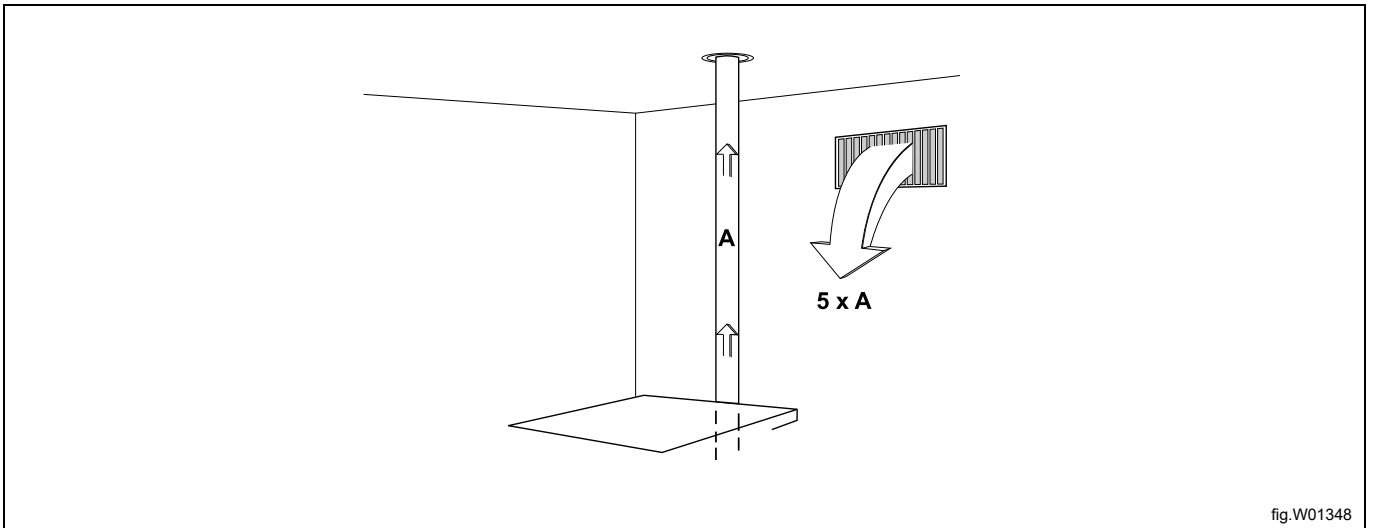


fig.W01348

6.2 Exhaust duct

The drying cabinet must be connected directly to the ventilation duct (not via any intermediate pipes or hoses).

Duct fan shall be installed in the ventilation duct to obtain proper function.

6.3 Multiple cabinets

If multiple drying cabinets or dryers are connected to the same air duct, a non-return valve must be installed on each appliance to prevent cold air from entering or the air pressure of one appliance affecting the other.

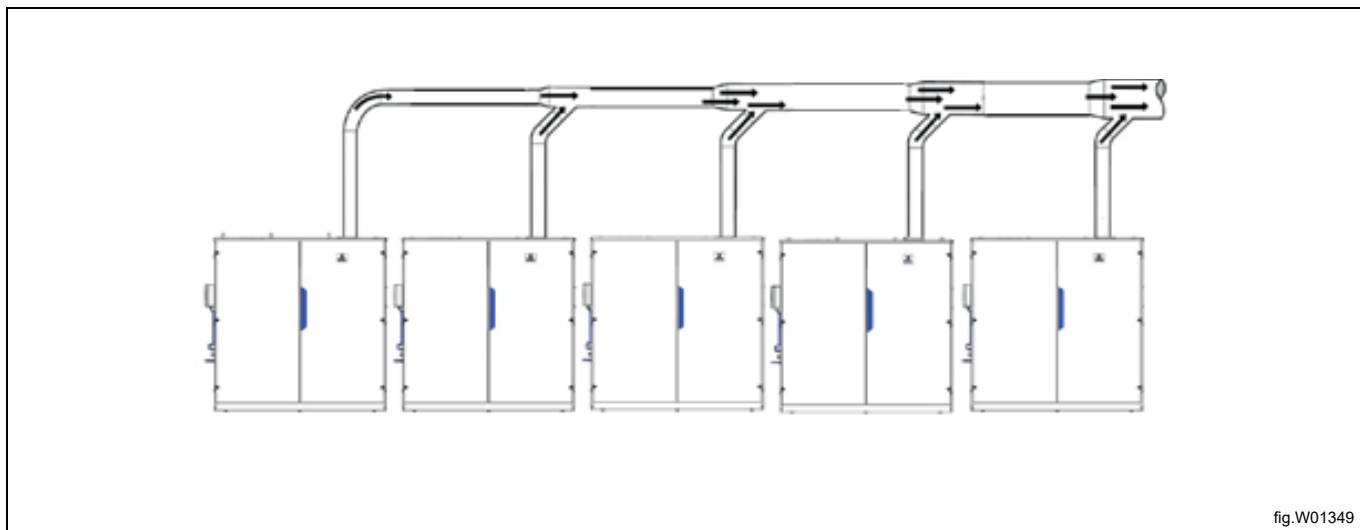


fig.W01349

Number of cabinets		1	2	3	4	5	6	7	8	9	10
Exhaust air duct	dia. (mm)	200	315	315	315	400	400	400	500	500	500
Recommended area for fresh air intake	(m ²)	0.157	0.390	0.390	0.390	0.628	0.628	0.628	0.982	0.982	0.982
Minimum area for fresh air intake	(m ²)	0.069	0.139	0.208	0.278	0.347	0.417	0.486	0.556	0.625	0.694

7 Electrical connection



The electrical installation may only be performed by qualified personnel.
 Electrical connection of the cabinet must be done in accordance with electrical safety regulations.
 Make sure that the connection current is in line with the data on the identification plate and that the mains cable is grounded properly according to the applicable standard. We recommend that the mains cable be equipped with a ground fault interrupter.
 The manufacturer disclaims all liability if the electrical connection is not done in the manner prescribed in this manual.

The drying cabinet must be connected to an all-pole circuit breaker.

Electrical connections					
Heating alternative	Main voltage	Hz	Heating power kW	Total power kW	Recommended fuse A
Electric heated machines	400V 3N ~	50	9.0	9.1	16 slow-blow

7.1 Network Functions

Note!

Can only be used on premium products.

This product can be connected to ELS VISION or to an external payment system.

7.2 Connecting to ELS Vision

Connect the network cables GND, RX, TX, 24V to the terminal block. Connect the neutral position switch to terminal block positions 1 and 2.

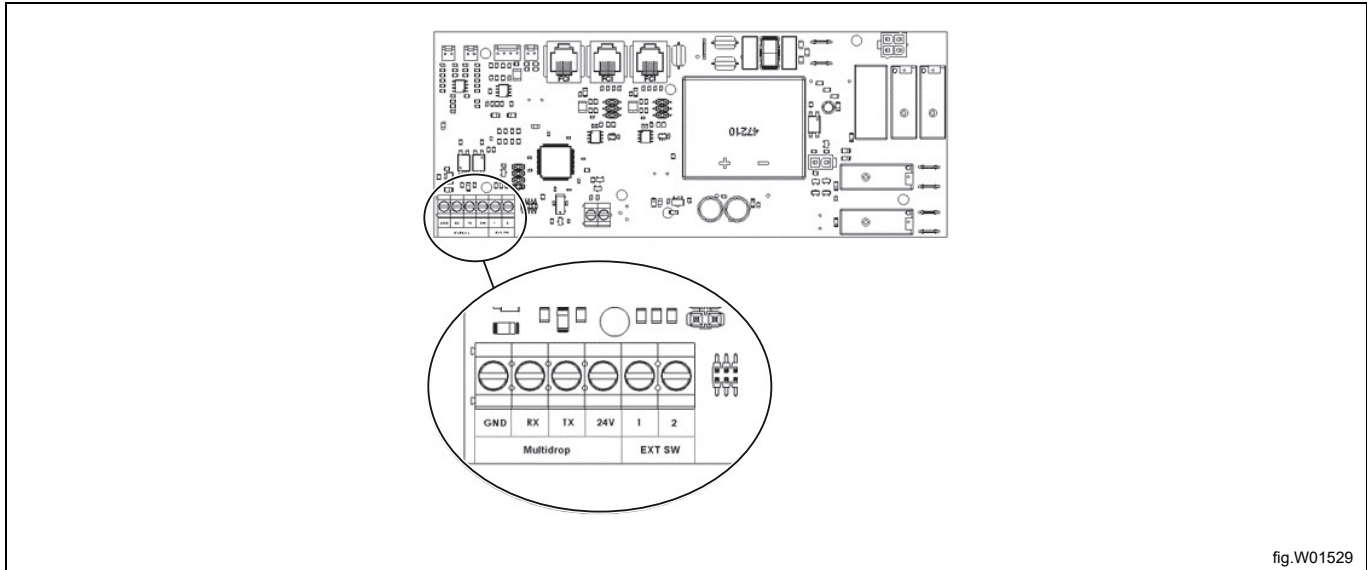


fig.W01529

Activate the connection to ELS Vision as follows:

- Activate the programming mode: Press STOP + SUN + BUTTERFLY. Press the Stop button first and then the program selection buttons simultaneously. The display lights up and shows "ACCESS 1000". To be able to move on, code 9191 must replace the code 1000.
- After the above, you will be at the first digit "1" in ACCESS 1000. Step to the digit "9" using the program selection buttons SUN (up) or BUTTERFLY (down). Then move to the next digit, in this case "0", using the STOP button. Increase this to "1" using the SUN button and then continue until "9191" is shown. Once you have set the last digit, press the STOP button and **access programming mode**.
- The first parameter and the factory-set value are then shown in the display. The row with the parameter flashes.
- Step forward or back with the SUN (increase) or BUTTERFLY (decrease) button to Parameter 117 is shown. Press STOP to confirm.
- Select the baud rate that matches the setting in ELS Vision:
 - 0: off, 1: 2400 bps, 2: 4800 bps, 3: 9600 bps. Use the Stop button to exit the parameter.
- Press STOP to save.
- Then access parameter 118 and set network address 1–127. Use the Stop button to exit the parameter.
- Press STOP to save.
- To exit programming mode, press STOP + BUTTERFLY (STOP button first).

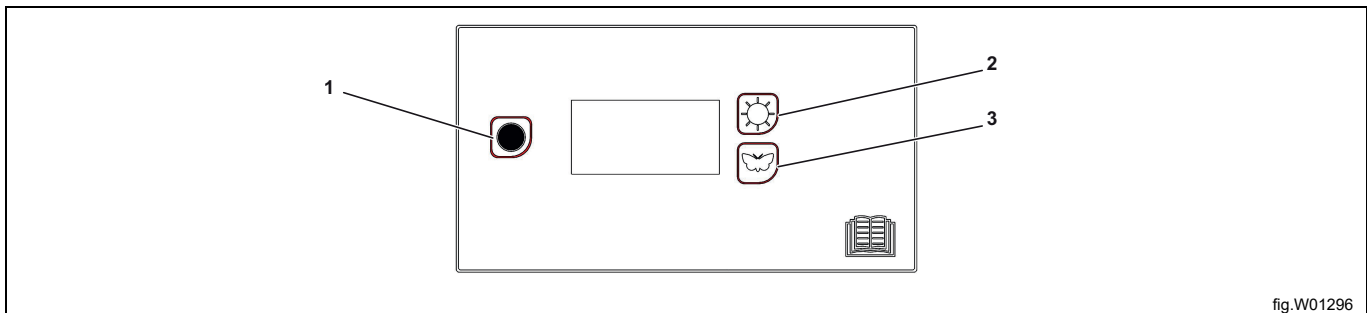
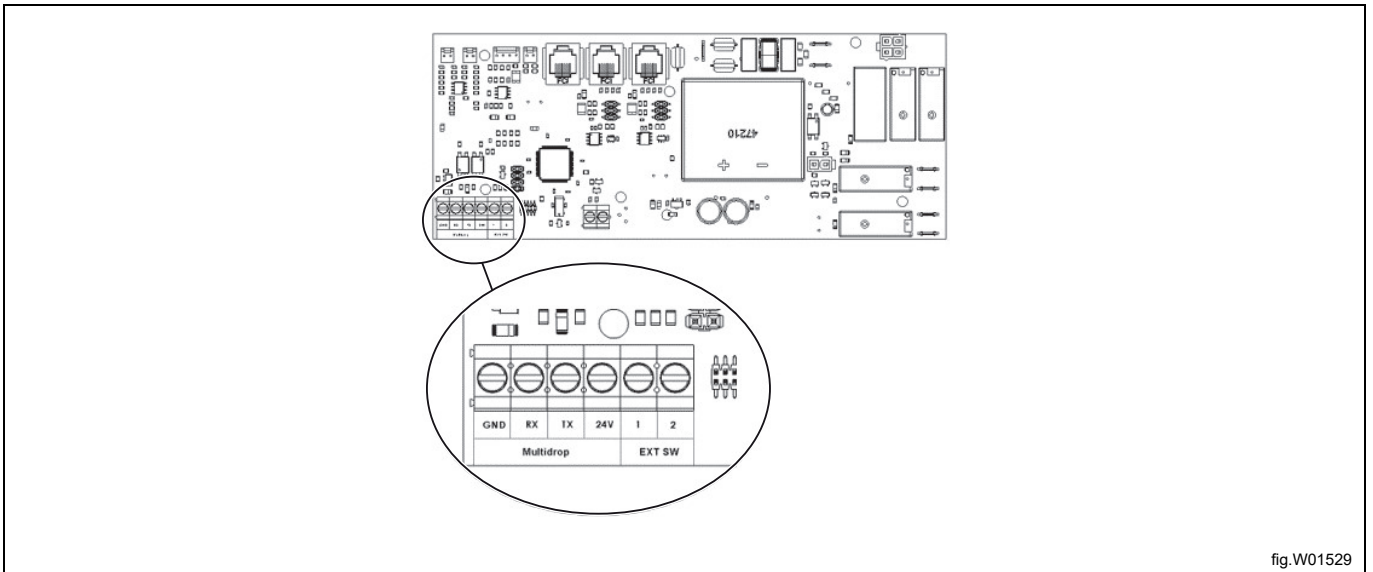


fig.W01296

1	Stop button
2	Sun button Extra drying
3	Butterfly button Normal drying

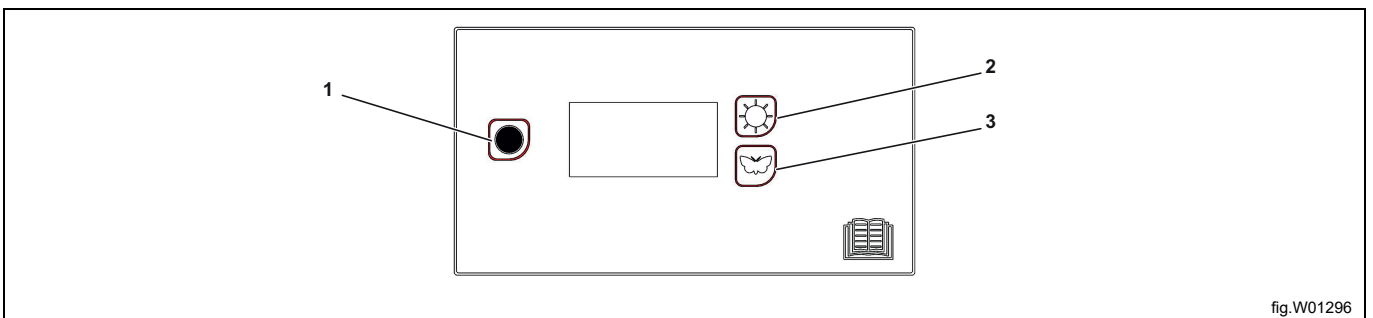
7.3 Connecting to an external payment system

Connect the cables from the external payment system to terminal block positions 1 and 2 "EXT SW".



Activate the connection to the external payment system as follows:

- Activate the programming mode: Press STOP + SUN + BUTTERFLY. Press the Stop button first and then the program selection buttons simultaneously. The display lights up and shows "ACCESS 1000". To be able to move on, code 9191 must replace the code 1000.
- After the above, you will be at the first digit "1" in ACCESS 1000. Step to the digit "9" using the program selection buttons SUN (up) or BUTTERFLY (down). Then move to the next digit, in this case "0", using the STOP button. Increase this to "1" using the SUN button and then continue until "9191" is shown. Once you have set the last digit, press the STOP button and **access programming mode**.
- The first parameter and the factory-set value are then shown in the display. The row with the parameter flashes.
- Step forward or back with the SUN (increase) or BUTTERFLY (decrease) button to Parameter 117 is shown. Press STOP to confirm.
- Set the parameter value to 1. This will activate the cabinet for network use. Use the Stop button to exit the parameter.
- Press STOP to save.
- To exit programming mode, press STOP + BUTTERFLY (STOP button first).



1	Stop button
2	Sun button Extra drying
3	Butterfly button Normal drying

7.4 Restore factory settings

To restore the electronics to factory settings:

Press the Stop button, and then press both program buttons. The display shows FACT DEFS.

8 Language setting

- Activate the programming mode: Press STOP + SUN + BUTTERFLY. Press the Stop button first and then the program selection buttons simultaneously. The display lights up and shows "ACCESS 1000". To be able to move on, code 9191 must replace the code 1000.
- After the above, you will be at the first digit "1" in ACCESS 1000. Step to the digit "9" using the program selection buttons SUN (up) or BUTTERFLY (down). Then move to the next digit, in this case "0", using the STOP button. Increase this to "1" using the SUN button and then continue until "9191" is shown. Once you have set the last digit, press the STOP button and **access programming mode**.
- The first parameter and the factory-set value are then shown in the display. The row with the parameter flashes.
- Step forward or back with the SUN (increase) or BUTTERFLY (decrease) button until "P 105" is shown.
- Once the display shows "P105", press STOP to confirm. The row below will now flash with the language symbol. Each language is assigned a number symbol as listed in the following table. The unit is factory-set to "1" (Swedish).
- Step to the required language with the SUN or BUTTERFLY button.
- Press STOP to save.
- To exit programming mode, press STOP + BUTTERFLY (STOP button first). The display will restart and the new language is set.

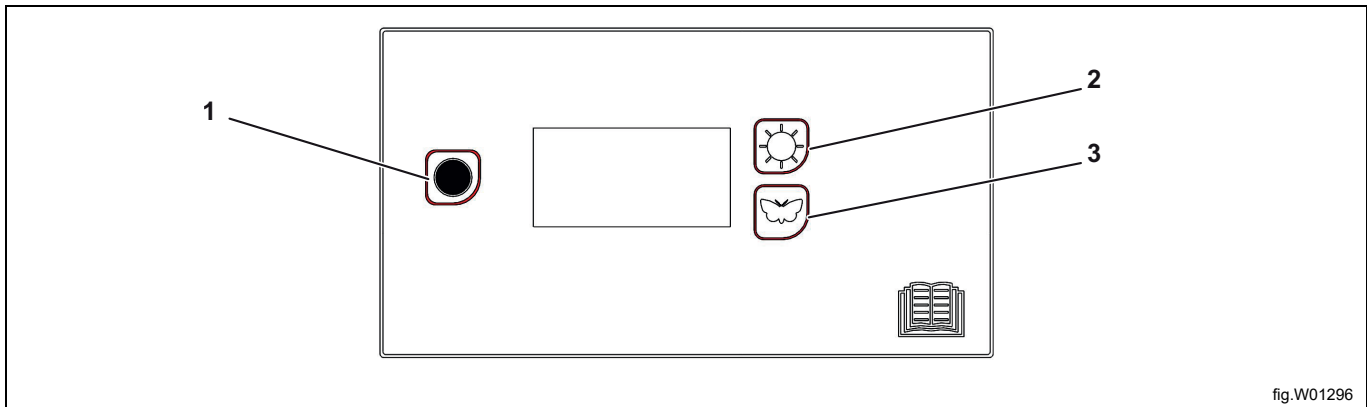


fig.W01296

1	Stop button
2	Sun button Extra drying
3	Butterfly button Normal drying

Language symbol	Display language
0	English
1	Swedish
2	Norwegian
3	Danish
4	Finnish
5	Russian
6	French
7	German

9 Function check



May only be performed by qualified personnel.



A function check must be performed when the installation is finished and before the appliance can be used. Whenever a repair has been made, a function check must be performed before the appliance can be used again.

- Select any program and check that the drying cabinet is heating and that there are no odd noises.

Ready for use

If all tests are OK the appliance is now ready for use.

If any of the tests fail, or deficiencies or faults are detected, please contact your local service organization or supplier. Use a mild dish soap with hot water to wipe the inside and outside of the drying cabinet. Wipe thoroughly.

10 Disposal information

10.1 Disposal of appliance at end of life

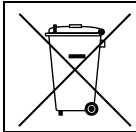
Before disposing of the machine, make sure to carefully check its physical condition, and in particular any parts of the structure that can give or break during scrapping.

The machine's parts must be disposed of in a differentiated way, according to their different characteristics (e.g. metals, oils, greases, plastic, rubber, etc.).

Different regulations are in force in the various countries, therefore comply with the provisions of the laws and competent bodies in the country where scrapping takes place.

In general, the appliance must be taken to a specialised collection/scrapping centre.

Dismantle the appliance, grouping the components according to their chemical characteristics, remembering that the compressor contains lubricant oil and refrigerant fluid which can be recycled, and that the refrigerator and heat pump components are special waste assimilable with urban waste.



The symbol on the product indicates that this product should not be treated as domestic waste, but must be correctly disposed of in order to prevent any negative consequences for the environment and human health. For further information on the recycling of this product, contact the local dealer or agent, the Customer Care service or the local body responsible for waste disposal.



Note!

When scrapping the machine, any marking, this manual and other documents concerning the appliance must be destroyed.

10.2 Disposal of packing

The packing must be disposed of in compliance with the current regulations in the country where the appliance is used. All the packing materials are environmentally friendly.

They can be safely kept, recycled or burned in an appropriate waste incineration plant. Recyclable plastic parts are marked as following examples.

	Polyethylene: <ul style="list-style-type: none"> • Outer wrapping • Instructions bag
	Polypropylene: <ul style="list-style-type: none"> • Straps
	Polystyrene foam: <ul style="list-style-type: none"> • Corner protectors



Electrolux Professional AB
341 80 Ljungby, Sweden
www.electroluxprofessional.com