

# Installation manual

## Drying Cabinet

DC6-15WW

D13+



**Electrolux**  
PROFESSIONAL



# Contents

---

## Contents

1	Safety Precautions .....	5
1.1	General safety information.....	5
1.2	Symbols.....	5
2	Warranty terms and exclusions.....	6
3	Technical data .....	7
4	Installation kit.....	9
5	Recycling instruction for packaging.....	10
6	Installation .....	11
6.1	Placement.....	11
6.2	Mechanical installation .....	11
6.3	Narrow spaces .....	12
7	Air flow .....	13
7.1	Function principle.....	13
7.2	Evacuation system.....	14
7.2.1	Adjustment of exhaust air.....	14
7.3	Air flow inside the cabinet .....	15
8	Electrical connection.....	16
9	Language settings .....	17
10	Function check.....	18
11	Disposal information .....	19
11.1	Disposal of appliance at end of life .....	19
11.2	Disposal of packing.....	19

The manufacturer reserves the right to make changes to design and component specifications.



## 1 Safety Precautions

WARNING. This appliance is intended only for drying textiles washed in water.

DO NOT MODIFY THIS APPLIANCE.

Servicing shall be carried out only by authorized personnel.

Only authorized spare parts shall be used.

When performing service or replacing parts, the power must be disconnected.

Stationary appliances not fitted with means for disconnection from the supply mains having a contact separation in all poles that provide full disconnection under overvoltage category III, means for disconnection must be incorporated in the fixed wiring in accordance with the wiring rules.

A-weighted emission sound pressure level at workstations: <70 dB

Additional requirements for the following countries: AT, BE, BG, HR, CY, CZ, DK, EE, FI, FR, DE, GR, HU, IS, IE, IT, LV, LT, LU, MT, NL, NO, PL, PT, RO, SK, SI, ES, SE, CH, TR, UK:

- This appliance can be used in public areas.
- This appliance can be used by children aged from 8 years and above and persons with reduced physical, sensory or mental capabilities or lack of experience and knowledge if they have been given supervision or instruction concerning use of the appliance in a safe way and understand the hazards involved. Children shall not play with the appliance. Cleaning and user maintenance shall not be made by children without supervision.

Additional requirements for other countries:





- This appliance is not intended for use by persons (including children) with reduced physical, sensory or mental capabilities, or lack of experience and knowledge, unless they have been given supervision or instruction concerning use of the appliance by a person responsible for their safety. Children should be supervised to ensure that they do not play with the appliance.

### 1.1 General safety information

Do not hose down the machine with water.

In order to prevent damage to the electronics (and other parts) that may occur as the result of condensation, the machine should be placed in room temperature for 24 hours before being used for the first time.

### 1.2 Symbols

	Caution
	Caution, hot surface
	Read the instructions before using the machine.
	Be careful. The drying cabinet is top heavy and can tip over easily.

## 2 Warranty terms and exclusions

If the purchase of this product includes warranty coverage, warranty is provided in line with local regulations and subject to the product being installed and used for the purposes as designed, and as described within the appropriate equipment documentation.

Warranty will be applicable where the customer has used only genuine spare parts and has performed maintenance in accordance with Electrolux Professional user and maintenance documentation made available in paper or electronic format.

Electrolux Professional strongly recommends using Electrolux Professional approved cleaning, rinse and descaling agents to obtain optimal results and maintain product efficiency over time.

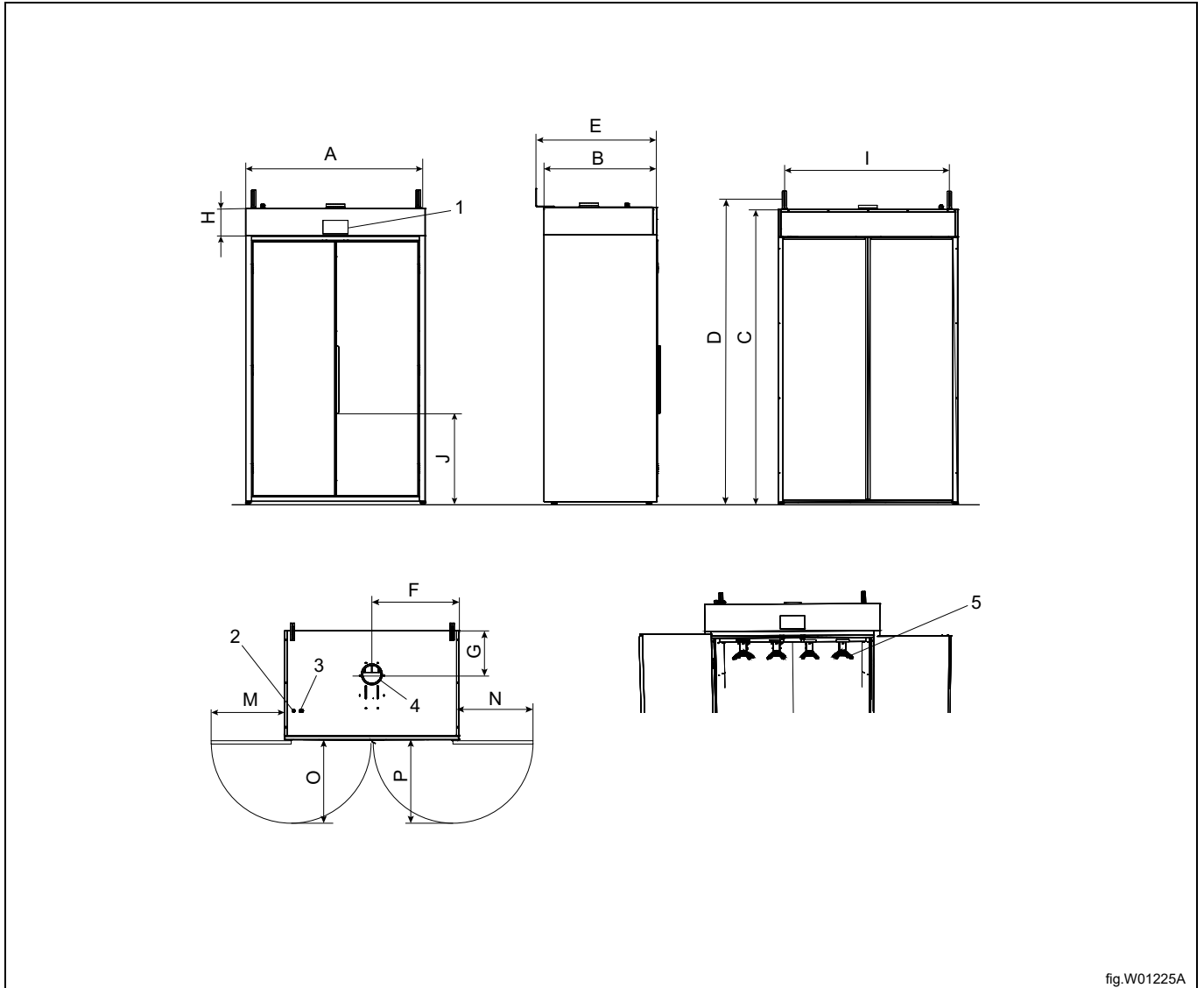
The Electrolux Professional warranty does not cover:

- service trips cost to deliver and pick up the product;
- installation;
- training on how to use/operate;
- replacement (and/or supply) of wear and tear parts unless resulting from defects in materials or workmanship reported within one (1) week from the failure;
- correction of external wiring;
- correction of unauthorized repairs as well as any damages, failures and inefficiencies caused by and/or resulting from:
  - insufficient and/or abnormal capacity of the electrical systems (current/voltage/frequency, including spikes and/or outages);
  - inadequate or interrupted water supply, steam, air, gas (including impurities and/or other that does not comply with the technical requirements for each appliance);
  - plumbing parts, components or consumable cleaning products that are not approved by the manufacturer;
  - customer's negligence, misuse, abuse and/or non-compliance with the use and care instructions detailed within the appropriate equipment documentation;
  - improper or poor: installation, repair, maintenance (including tampering, modifications and repairs carried out by third parties not authorized third parties) and modification of safety systems;
  - Use of non-original components (e.g.: consumables, wear and tear, or spare parts);
  - environment conditions provoking thermal (e.g. overheating/freezing) or chemical (e.g. corrosion/oxidation) stress;
  - foreign objects placed in- or connected to- the product;
  - accidents or force majeure;
  - transportation and handling, including scratches, dents, chips, and/or other damage to the finish of the product, unless such damage results from defects in materials or workmanship and is reported within one (1) week of delivery unless otherwise agreed;
- product with original serial numbers that have been removed, altered or cannot be readily determined;
- replacement of light bulbs, filters or any consumable parts;
- any accessories and software not approved or specified by Electrolux Professional.

Warranty does not include scheduled maintenance activities (including the parts required for it) or the supply of cleaning agents unless specifically covered within any local agreement, subject to local terms and conditions.

Check on Electrolux Professional website the list of authorized customer care.

3 Technical data



1	Control panel
2	Electrical connection for external fan
3	Electrical connection
4	Exhaust air connection
5	Hangers

	A	B	C	D	E	F	G	H	I	J	M	N	O	P
mm	1200	750	1970	2035	820	600	300	185	1100	600	535	510	580	535

Exhaust air connection  $\varnothing 125$  mm, maximum permitted pressure drop 70 Pa, which corresponds to a straight pipe with a length of approximately 23 m.  $\varnothing 160$  mm corresponds to a straight length of approximately 70 m.

Net weight: 134 kg.

Capacity	kg of laundry	15
Drainage capacity	g/min *)	57
Electrical connection		400V 3N AC 50Hz
Traditional threaded fuse	A	10
Automatic fuse	A	13
Motor	W	2 x 155
Heating element output	W	6 x 1000
Overheat protection		Yes
Evacuated air volume	m <sup>3</sup> /h	250
Removable hangers	pieces	4
Net weight	kg	134
Sound pressure level	A-weighted emission sound pressure level dB(A)	< 70

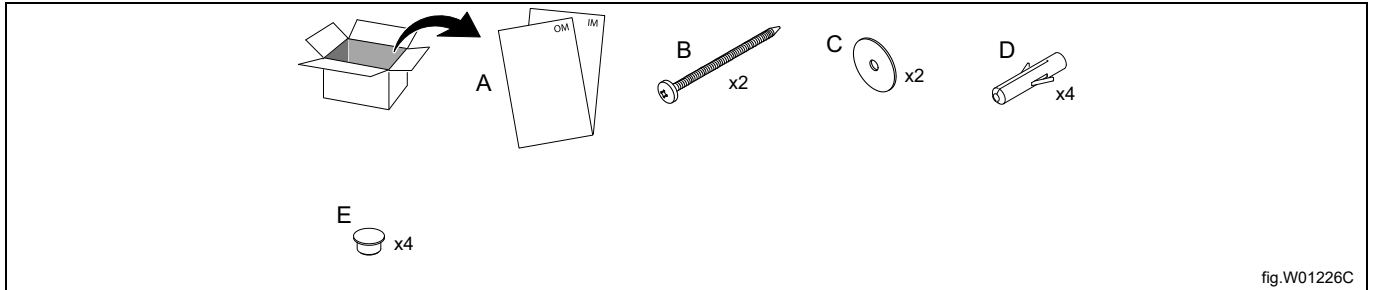
\*) 15 kg dry weight at 42% residual moisture



## 4 Installation kit

In a complete delivery the following parts shall be included:

- Drying cabinet with the upper part of the cabinet mounted.
- Installation kit.
- Installation- and operating manuals.



A	User Manual / Installation Manual
B	Screw T6S 8x75
C	Washer 8.4x17x1.6
D	Plug x 4
E	Cover plug 15-12

## 5 Recycling instruction for packaging

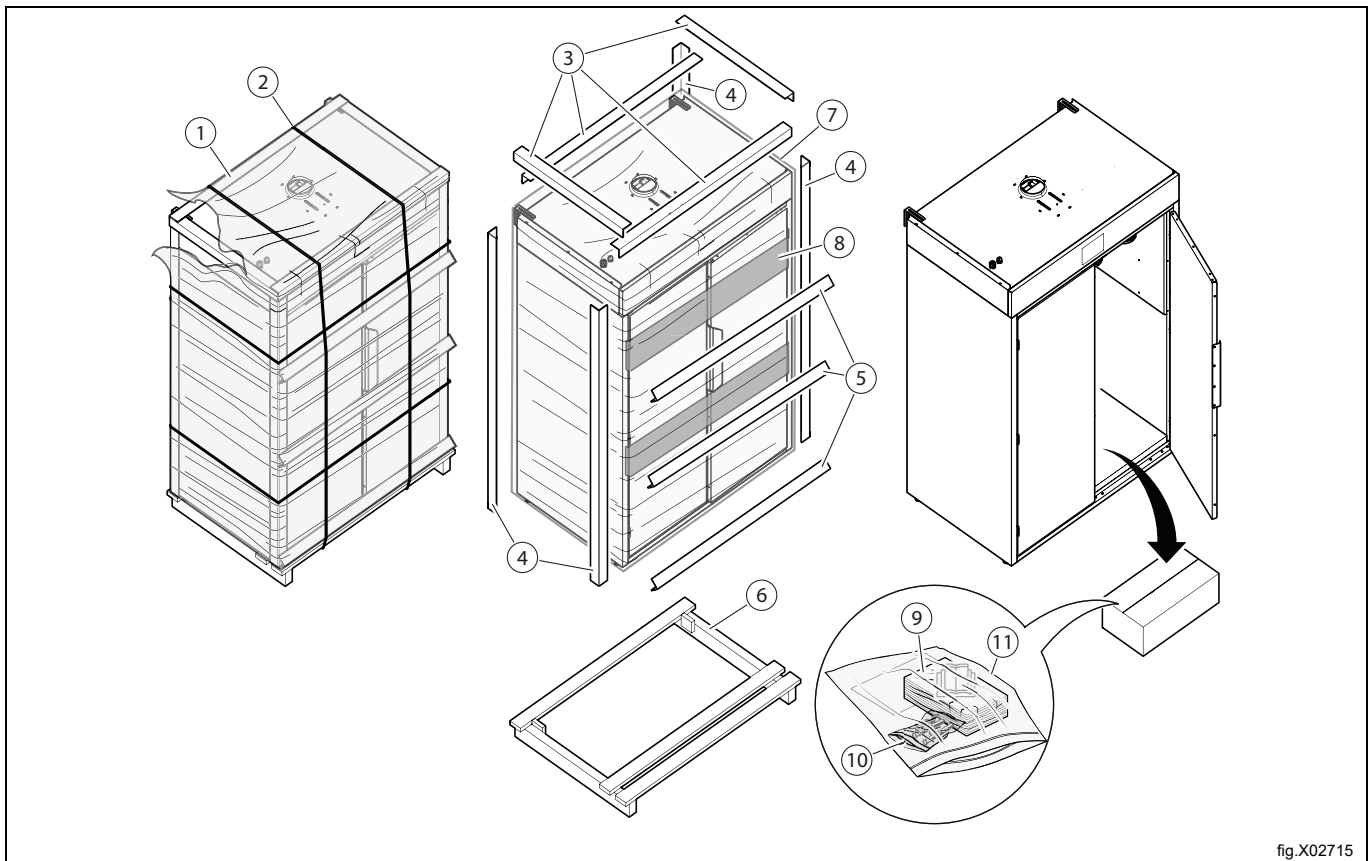


fig.X02715

Fig.	Description	Code	Type
1	Packaging film	LDPE 4	Synthetics
2	Plastic tape	PET 1	Synthetics
3	Cardboard protection bar on top	PAP 20	Paper
4	Cardboard protective strip corner	PAP 20	Paper
5	Cardboard protective bar	PAP 20	Paper
6	Chassis protection	FOR 50	Wood
7	Plastic cover	LDPE 4	Synthetics
8	Green belt	LDPE 4	Synthetics
9	Packaging film	LDPE 4	Synthetics
10	Plastic bag	LDPE 4	Synthetics
11	Plastic bag	LDPE 4	Synthetics

## 6 Installation

Place the drying cabinet on its final position.

The straps around the adjustable feet can be used to raise the drying cabinet.

Level the drying cabinet with the adjustable feet. Make sure that the top edges of the doors are level with each other.

### 6.1 Placement

The drying cabinet should be positioned so that there is plenty of room for working, both for the user and service personnel.

To remove the drying cabinet from the pallet, lift on one side of the drying cabinet with the straps and pull the drying cabinet to the other end of the pallet. If the drying cabinet touches the floor, lift a bit higher to remove the pallet.

### 6.2 Mechanical installation



The drying cabinet must be secured to the wall to prevent it from tipping over.



The wall brackets are secured at the top of the drying cabinet upon delivery. Remove the wall brackets, turn them over, and mount as shown. (Screws and plastic plugs are included upon delivery.)

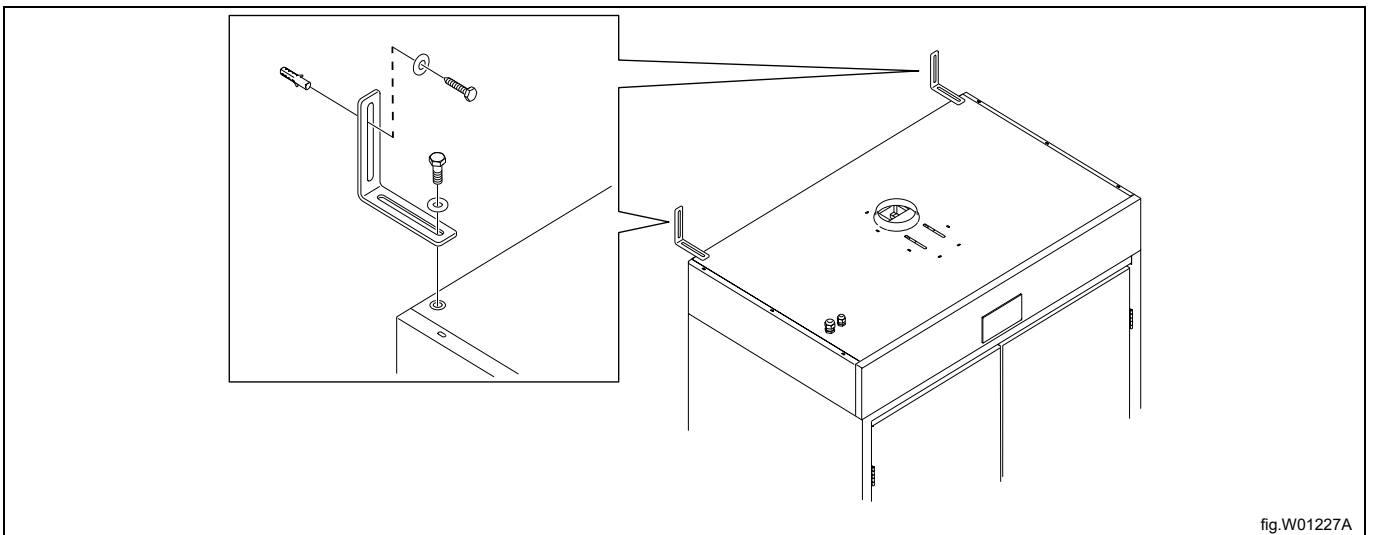


fig.W01227A

### 6.3 Narrow spaces

To facilitate transport, there are straps around the adjustable feet.

The upper part of the drying cabinet can be disassembled to reduce the height. Removing the upper part will result in the left of the drying cabinet to have a height of 1785 mm..

#### Demount the top

The top is fastened to the lower part of the drying cabinet with four screws.

- Open the doors, remove the hangers and four filters (1).
- Loosen two screws (torx T20) on the underside of the front panel (2). (Square holes in the frame).
- Pull the front panel upwards until it is released from the tracks.
- Carefully loosen the cable which is fastened to the card and lift off the front panel.
- Loosen the four screws (3) that hold the door switch plate in place and slide the plate back so that it is recessed.

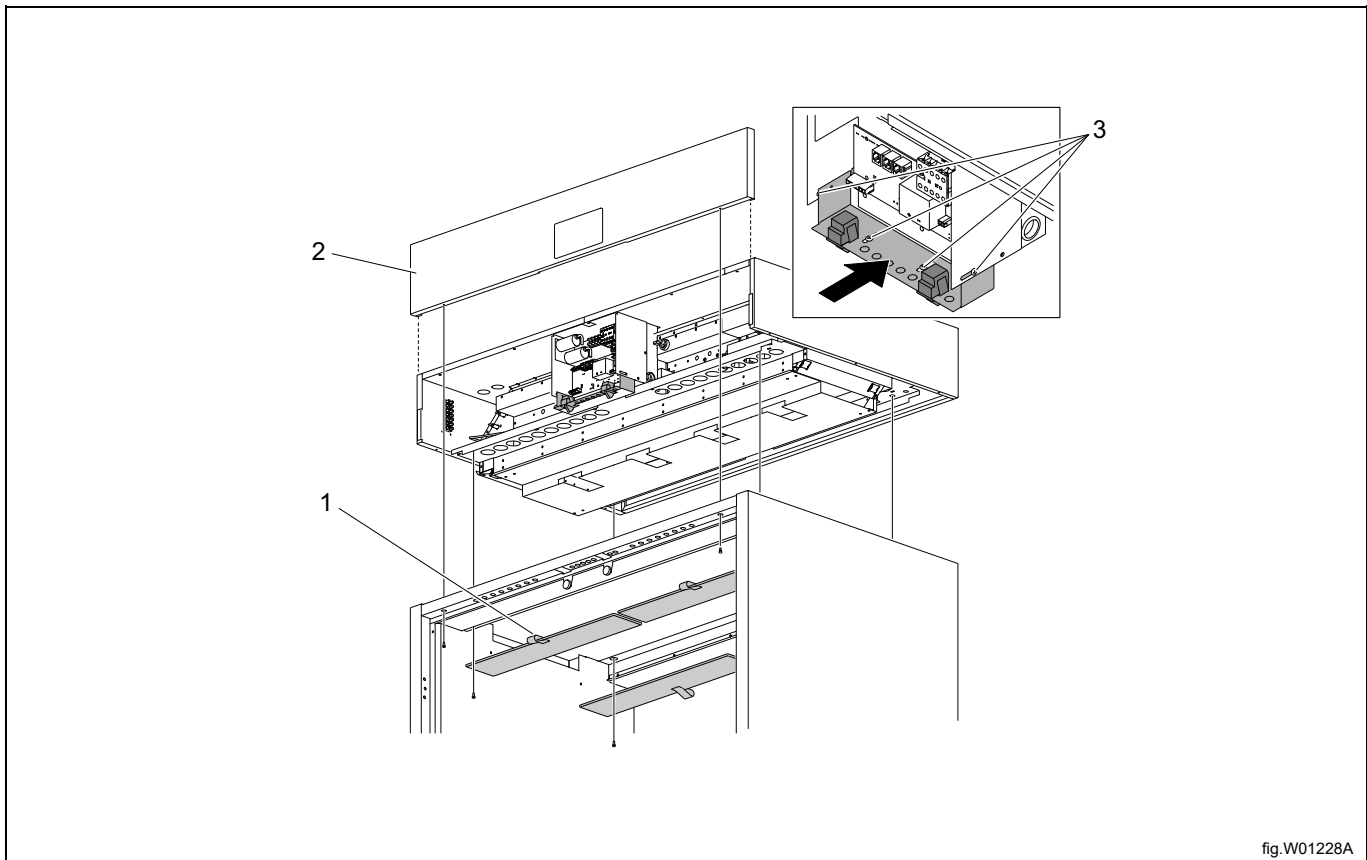


fig.W01228A

- Loosen the four fixing screws, which hold the entire top in place. The screws are countersunk in two built-in rails, two at the rear of the cabinet and two inside the doors (4).
- Carefully lift off the upper part.

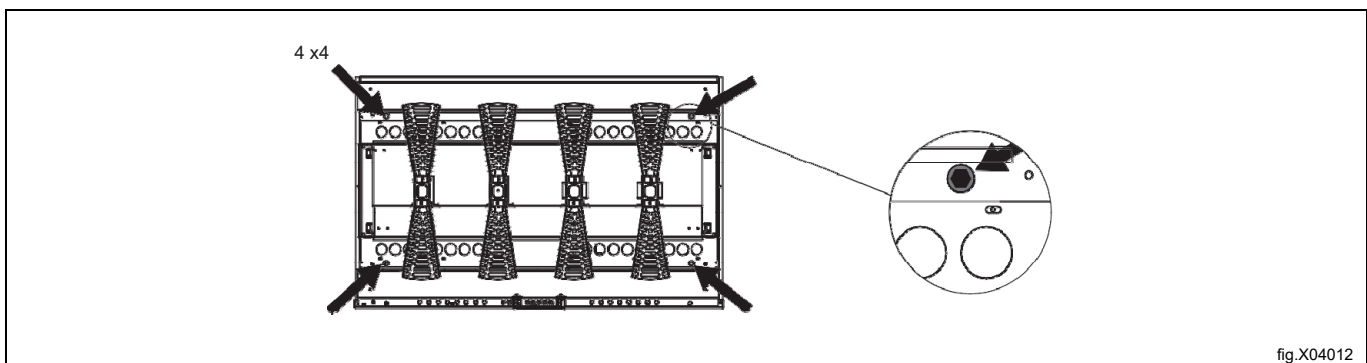


fig.X04012

## 7 Air flow

### 7.1 Function principle

The cabinet works with negative pressure in the drying compartment.

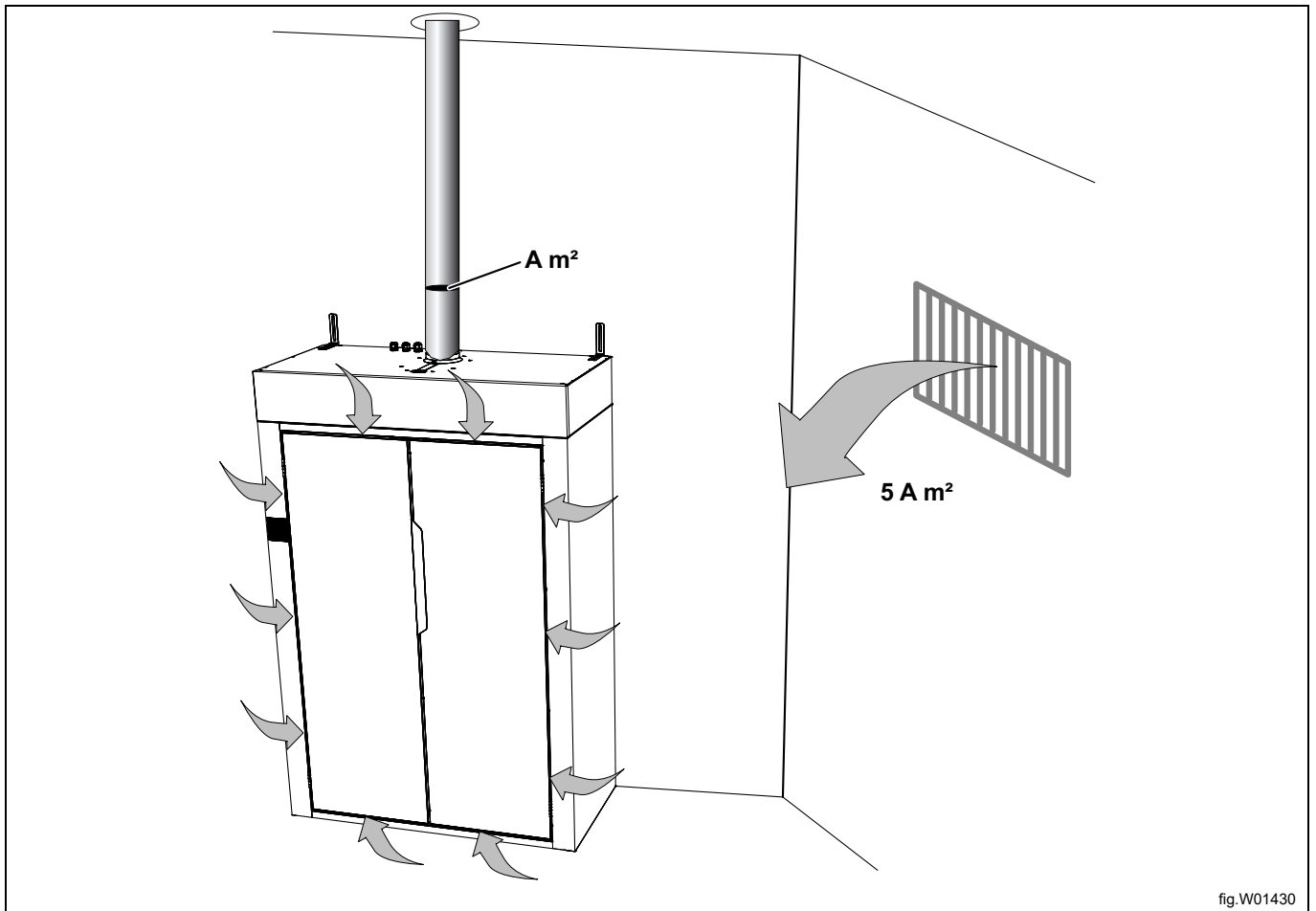


fig.W01430

Air is drawn in through an air intake in the upper part of the cabinet and through the door slots of the cabinet by means of two fans.

The air is heated by three heating elements on the left side and three heating elements on the right side of the fan unit. It blows over the damp garments through two openings – one on the left side and one on the right.

The heated air then carries moisture away from the garments.

The fan sucks in the humid air, which is evacuated through the exhaust air hose (duct) on the top of the cabinet.

The exhaust air hose can be connected to the exhaust air duct of the property.

#### Functionality check

Check that:

- The fan starts.
- The heating works by running a program with heating for 5 minutes and then opening the door to check whether the cabinet has warmed up.

## 7.2 Evacuation system

The exhaust air goes through four filters and further on to the exhaust evacuation.

The drying cabinet shall be connected directly to the ventilation channel (not through pipes or hoses in between).

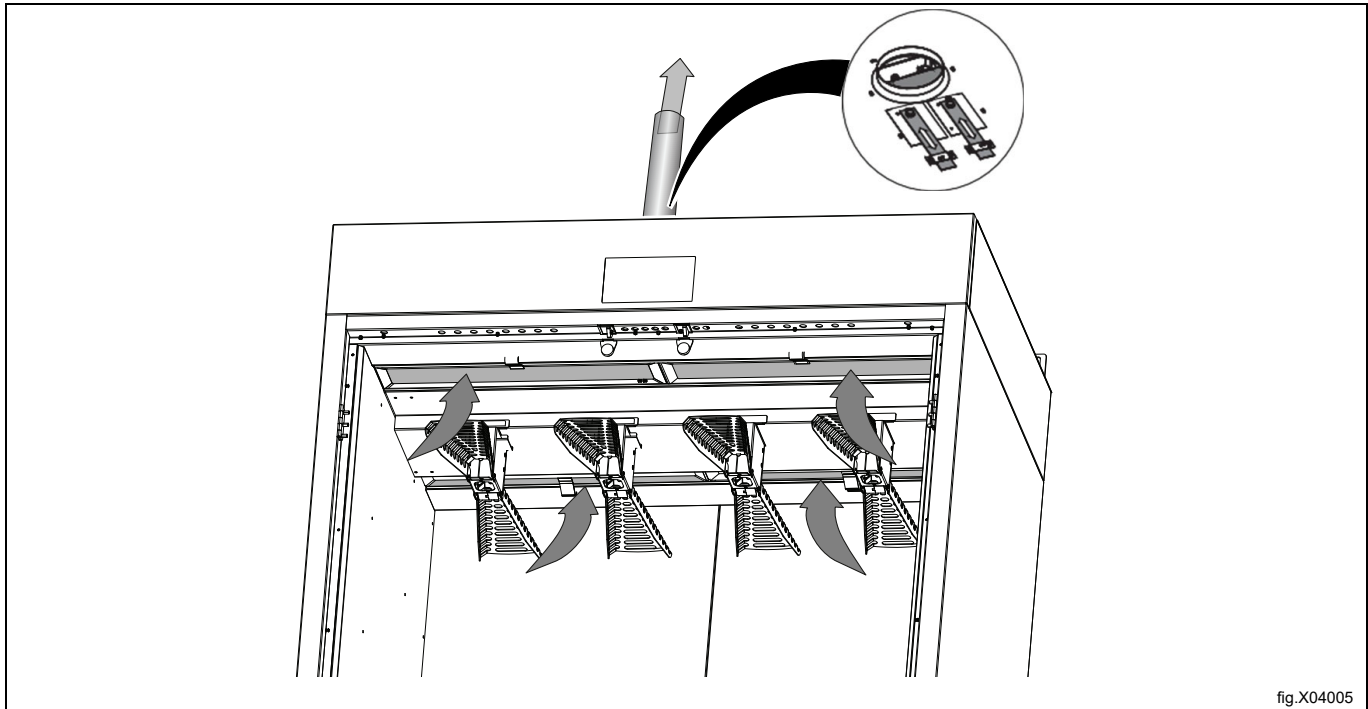
The drying cabinet has an exhaust air flow of up to 250 cubic meters per hour. This air is taken from the room where the drying cabinet is situated. It is therefore important to ensure that fresh air can enter the room from the outside to replace the humid air that is vented out.

The area of the air intake must be five times larger than the area of the exhaust air duct. The resistance in the grid/damper must not exceed 10 Pa (0.1 mbar).

### 7.2.1 Adjustment of exhaust air

The drying cabinet works most efficiently if the air flow is optimal.

The top of the drying cabinet houses a damper that can be adjusted to a value equal to the pressure drop in the duct. The maximum permitted pressure drop is 70 Pa. If the pressure drop is greater than this, an external fan must be installed. The drying cabinet has an electrical connection for an external fan.



### 7.3 Air flow inside the cabinet

The figure shows the air flow in the drying cabinet.

Air is blown in on the left and right sides as well as through the hangers.

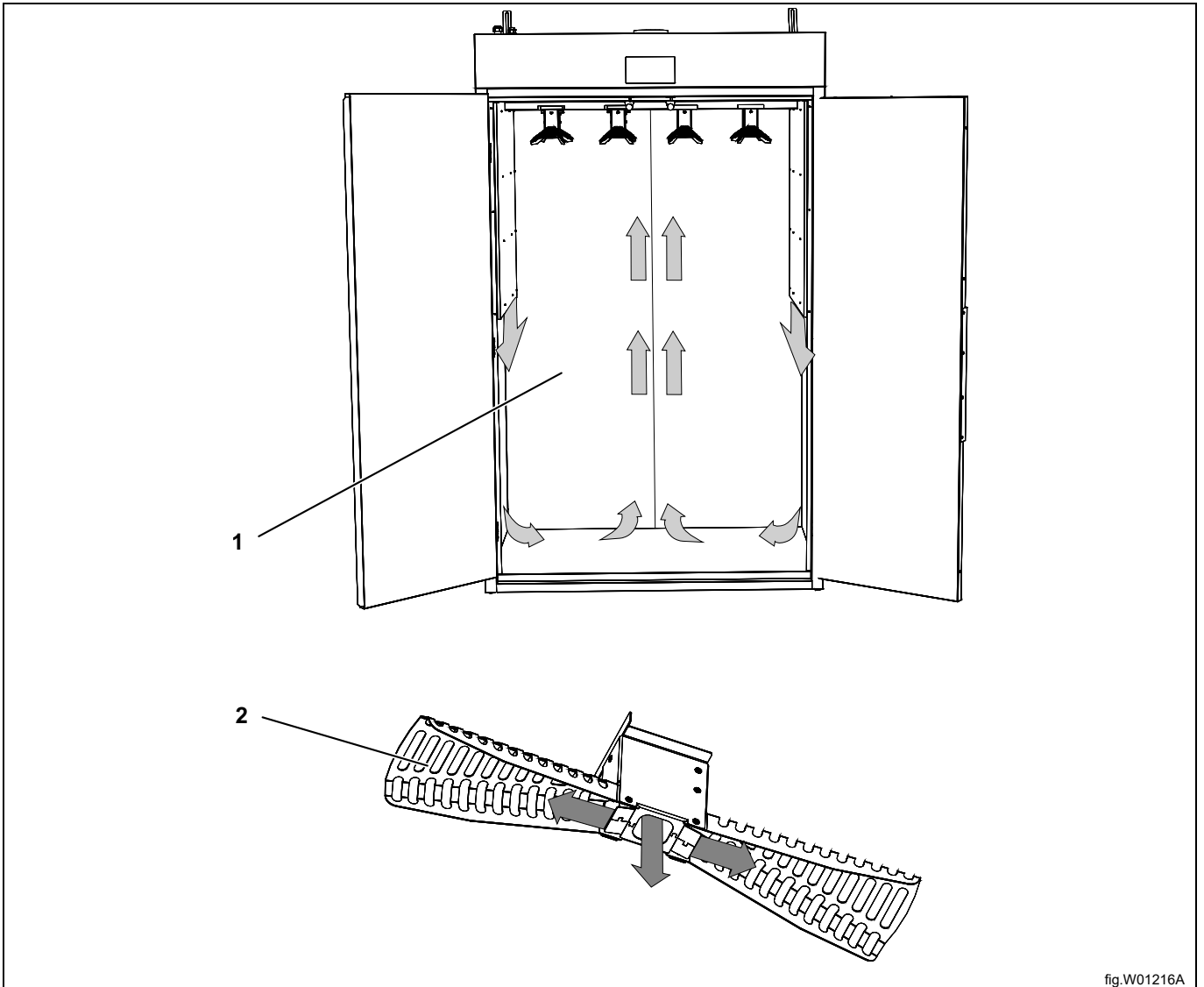


fig.W01216A

1	Air flow in the cabinet
2	Air flow in the hangers

## 8 Electrical connection



The electrical installation may only be performed by qualified personnel.



The drying cabinet must be connected to an all-pole circuit breaker.

Electrical connections					
Heating alternative	Main voltage	Hz	Heating power kW	Total power kW	Recommended fuse A
Electric heated machines	400V 3N~	50	6.0	6.2	10 / 13 auto fuse

Check that the connection current conforms to the data on the rating plate and that the main line is properly grounded according to current standards. We recommend that the main management is provided with residual current device. The electrical connection of the appliance shall be in accordance with the current electrical safety regulations.

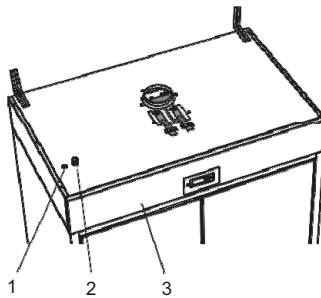


fig.X04013

1	Electrical connection for external fan
2	Electrical connection
3	Front panel

- Loosen two screws (torx T20) on the underside of the front panel (2). (Square holes in the frame).
- Pull the front panel upwards until it is released from the tracks.
- Carefully loosen the cable which is fastened to the card and lift off the front panel.
- Connect the power cord to the terminal block.

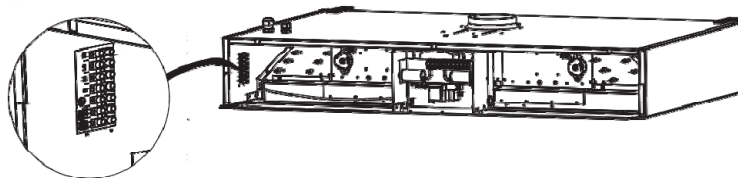


fig.X04014



## 9 Language settings

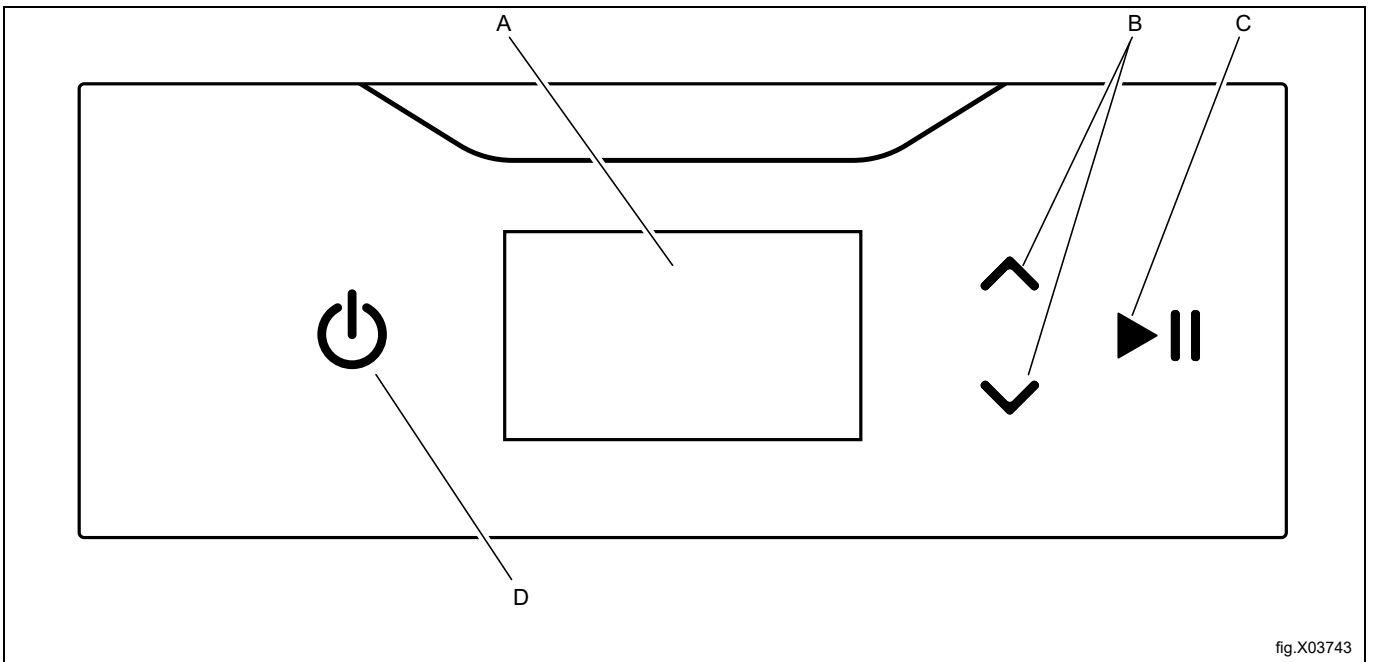


fig.X03743

A	Display
B	Up- and down arrows that are used to scroll up and down through the menus on the display.
C	Start- and stop button
D	On/off button

- Disconnect the power to the machine.
- Press and hold the UP and DOWN buttons and connect the power to the machine.  
The display lights up and shows parameter "P 105" and the set value for P 105 which is the set language. If other is displayed, press the UP and DOWN buttons to move to the correct parameter.
- Press the START/STOP button to confirm the parameter selection.  
The row with the parameter's set value (language) flashes in the display. The languages has a number according to the list below.
- Select parameter value (language) with the UP and DOWN buttons.
- Press the START/STOP button to save the set parameter value (language).
- Press DOWN button and START/STOP button to reset to factory settings.

Number	Language
0	English
1	Swedish
2	Norwegian
3	Danish
4	Finnish
5	Italian
6	French
7	German
8	Spanish
9	Portuguese
10	Dutch

## 10 Function check



May only be performed by qualified personnel.



A function check must be performed when the installation is finished and before the appliance can be used. Whenever a repair has been made, a function check must be performed before the appliance can be used again.

- Select any program and check that the drying cabinet is heating and that there are no odd noises.

### Ready for use

If all tests are OK the appliance is now ready for use.

If any of the tests fail, or deficiencies or faults are detected, please contact your local service organization or supplier.

## 11 Disposal information

### 11.1 Disposal of appliance at end of life

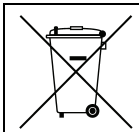
Before disposing of the machine, make sure to carefully check its physical condition, and in particular any parts of the structure that can give or break during scrapping.

The machine's parts must be disposed of in a differentiated way, according to their different characteristics (e.g. metals, oils, greases, plastic, rubber, etc.).

Different regulations are in force in the various countries, therefore comply with the provisions of the laws and competent bodies in the country where scrapping takes place.

In general, the appliance must be taken to a specialised collection/scrapping centre.

Dismantle the appliance, grouping the components according to their chemical characteristics, remembering that the compressor contains lubricant oil and refrigerant fluid which can be recycled, and that the refrigerator and heat pump components are special waste assimilable with urban waste.



The symbol on the product indicates that this product should not be treated as domestic waste, but must be correctly disposed of in order to prevent any negative consequences for the environment and human health. For further information on the recycling of this product, contact the local dealer or agent, the Customer Care service or the local body responsible for waste disposal.

#### Note!

**When scrapping the machine, any marking, this manual and other documents concerning the appliance must be destroyed.**

### 11.2 Disposal of packing

The packing must be disposed of in compliance with the current regulations in the country where the appliance is used. All the packing materials are environmentally friendly.

They can be safely kept, recycled or burned in an appropriate waste incineration plant. Recyclable plastic parts are marked as following examples.

<p>PE</p>	<p>Polyethylene:</p> <ul style="list-style-type: none"> <li>• Outer wrapping</li> <li>• Instructions bag</li> </ul>
<p>PP</p>	<p>Polypropylene:</p> <ul style="list-style-type: none"> <li>• Straps</li> </ul>
<p>PS</p>	<p>Polystyrene foam:</p> <ul style="list-style-type: none"> <li>• Corner protectors</li> </ul>



Electrolux Professional AB  
341 80 Ljungby, Sweden  
[www.electroluxprofessional.com](http://www.electroluxprofessional.com)