

# Installation manual

## Drying Cabinet

DC6-4HP



**Electrolux**  
PROFESSIONAL



# Contents

---

## Contents

1	Safety Precautions .....	5
1.1	General safety information.....	5
1.2	Symbols.....	5
2	Technical data.....	6
2.1	Dimensions drawing.....	6
2.2	Technical data .....	7
3	Installation kit.....	8
4	Installation .....	9
4.1	Unpacking.....	9
4.2	Placement.....	9
4.3	Ventilating the room .....	9
4.4	Attachment to the wall .....	10
5	Reversing the door .....	11
6	Connection to floor drain .....	14
7	Electrical connection.....	15
8	Language setting.....	16
9	Function check.....	17
10	Disposal information .....	18
10.1	Disposal of appliance at end of life .....	18
10.2	Disposal of packing.....	18

The manufacturer reserves the right to make changes to design and component specifications.



## 1 Safety Precautions

WARNING. This appliance is intended only for drying textiles washed in water.

DO NOT MODIFY THIS APPLIANCE.

Servicing shall be carried out only by authorized personnel.

Only authorized spare parts shall be used.

When performing service or replacing parts, the power must be disconnected.

Stationary appliances not fitted with means for disconnection from the supply mains having a contact separation in all poles that provide full disconnection under overvoltage category III, means for disconnection must be incorporated in the fixed wiring in accordance with the wiring rules.

A-weighted emission sound pressure level at workstations: <70 dB

Additional requirements for the following countries: AT, BE, BG, HR, CY, CZ, DK, EE, FI, FR, DE, GR, HU, IS, IE, IT, LV, LT, LU, MT, NL, NO, PL, PT, RO, SK, SI, ES, SE, CH, TR, UK:

- This appliance can be used in public areas.
- This appliance can be used by children aged from 8 years and above and persons with reduced physical, sensory or mental capabilities or lack of experience and knowledge if they have been given supervision or instruction concerning use of the appliance in a safe way and understand the hazards involved. Children shall not play with the appliance. Cleaning and user maintenance shall not be made by children without supervision.

Additional requirements for other countries:





- This appliance is not intended for use by persons (including children) with reduced physical, sensory or mental capabilities, or lack of experience and knowledge, unless they have been given supervision or instruction concerning use of the appliance by a person responsible for their safety. Children should be supervised to ensure that they do not play with the appliance.

### 1.1 General safety information

Do not hose down the machine with water.

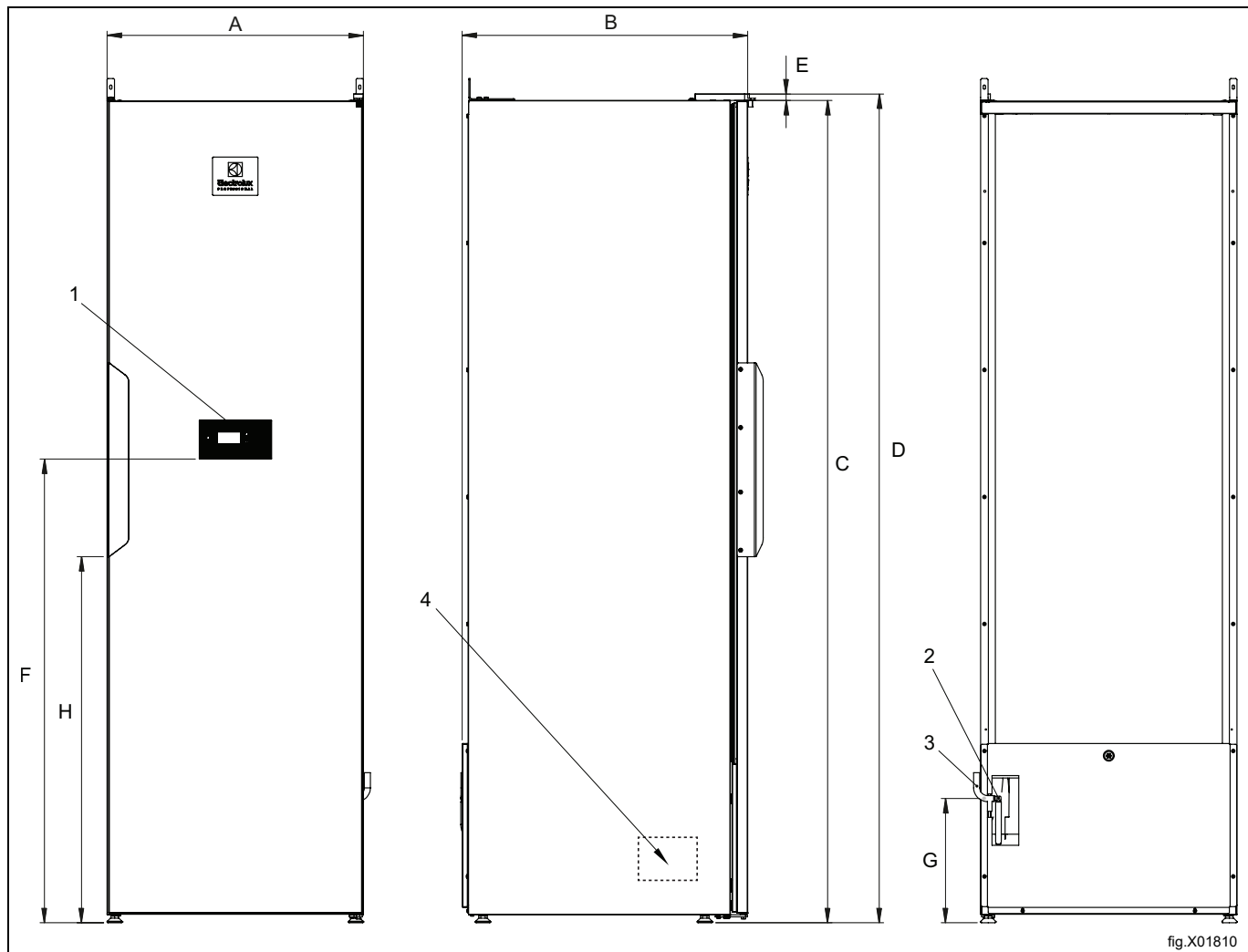
In order to prevent damage to the electronics (and other parts) that may occur as the result of condensation, the machine should be placed in room temperature for 24 hours before being used for the first time.

### 1.2 Symbols

	Caution
	Caution, hot surface
	Read the instructions before using the machine.
	Be careful. The drying cabinet is top heavy and can tip over easily.

## 2 Technical data

### 2.1 Dimensions drawing



1	Control panel
2	Connecting cable 2.5 m
3	Condensation connection if the floor drain option is selected
4	Condense water pump, 0.5 m pressure height

	A	B	C	D	E	F	G	H
mm	595	665	1910	1925	15	1077	290	850

**2.2 Technical data**

Capacity:	4.0 kg of laundry	
Drainage capacity:	30 g/min (4 kg 50% residual moisture)	
Electrical connection:	1-phase 220–240 V, 50–60 Hz, 10 A	
Power:	1200 W	
Main fan capacity:	1175 m <sup>3</sup> /h (free blowing)	
Sub-fan capacity:	160 m <sup>3</sup> /h (free blowing)	
Hanging length:	16 meters	
Dimensions:	Height	1925 mm
	Width	595 mm
	Depth	665 mm
Weight	95 kg	
Sound power/pressure level at drying**	66/56 dB(A)	
Leak test:	28 bar	
Average heat emission per drying cycle used to assess ventilation need*:	0.6 kW	

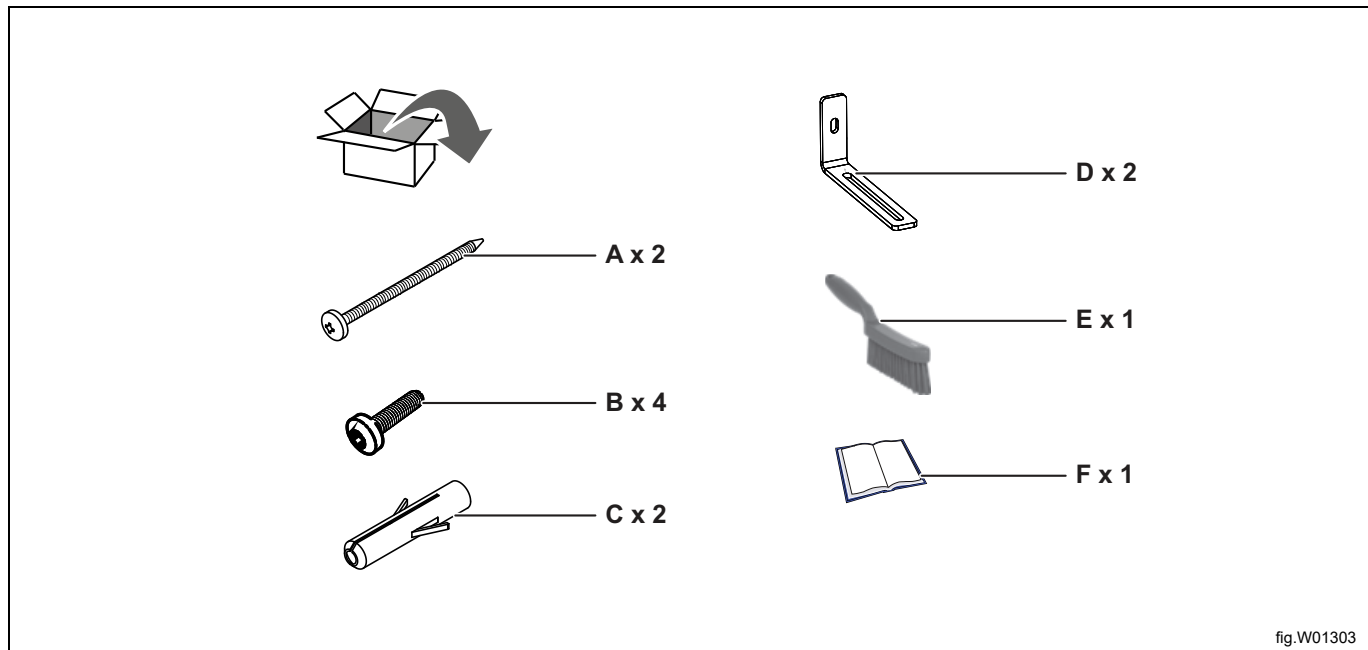
\* For assistance with dimensioning necessary ventilation needs, contact authorized ventilation technician. For sufficient ventilation all sources introducing heat need to be taken into account plus all other parameters effecting the ventilation need. Climate zone, building parameters, room size, etc.

\*\* Sound power levels measured according to ISO 60704.

This product contains fluorinated greenhouse gases. Hermetically sealed.

Type of refrigerant:	R407C
Refrigerant quantity:	0.36 kg
Total factor for global warming potential:	1774
CO <sub>2</sub> equivalents:	0.639 tonne

### 3 Installation kit



A	Screw TRX 5x45 galvanized for wall mounting
B	Screw MRT 5x20 for mounting bracket
C	Wall plug
D	Bracket for wall bracket
E	Hand brush for filter cleaning
F	User Manual / Installation Manual



## 4 Installation

Place the drying cabinet on its final position.

Level the drying cabinet with the adjustable feet. Adjust the feet from the outside.

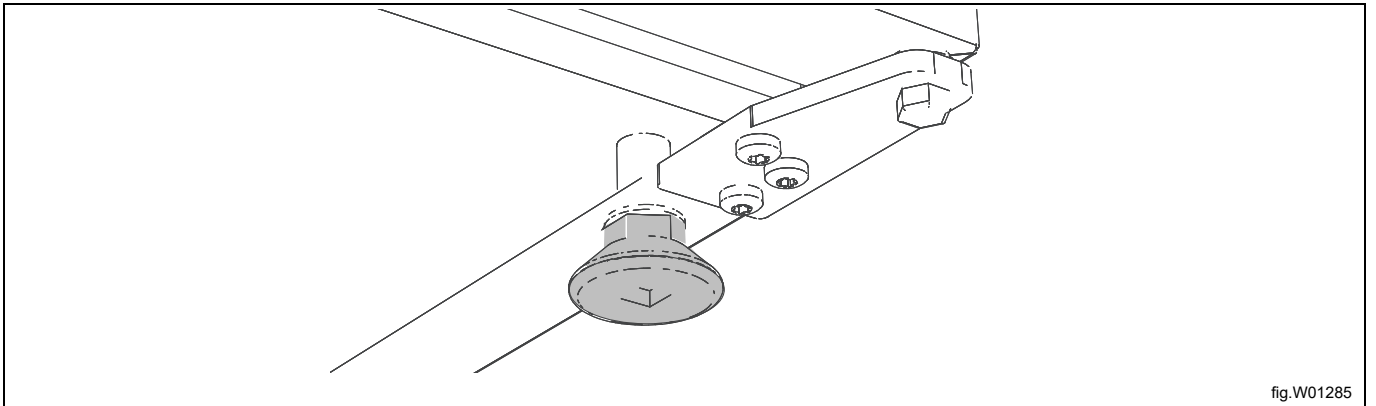


fig.W01285

### 4.1 Unpacking

Unpack the drying cabinet and check that it has not been damaged in transit. Any damage to the drying cabinet and/or the packaging must be reported within 7 days.

### 4.2 Placement

The drying cabinet should be positioned so that there is plenty of room for working, both for the user and service personnel.

### 4.3 Ventilating the room

When the machine is in operation, the room temperature increases. Due to this, the room must have sufficient ventilation.

All sources introducing heat into the same room requires to be considered when dimensioning the ventilation. Heat sources could for example be: more tumble dryers, drying cabinets, washers, ironers, radiators, etc. The combination of several sources for heat introduction leads to an increased need for ventilation flow. Other factors may also influence the needed ventilation flow, such as climate zone, building parameters, room size, etc. For assistance with dimensioning necessary ventilation needs, contact authorized ventilation technician.

#### 4.4 Attachment to the wall



The drying cabinet must be secured to the wall to prevent it from tipping over. (Kit for this included upon delivery.)

The installation kit contains two **angle brackets** that are mounted on the upper part of the drying cabinet as illustrated. Use the provided screws. The brackets have grooves for adjustment to the wall.

Secure the cabinet to the wall. The installation kit contains a fastening screw and plastic plugs.

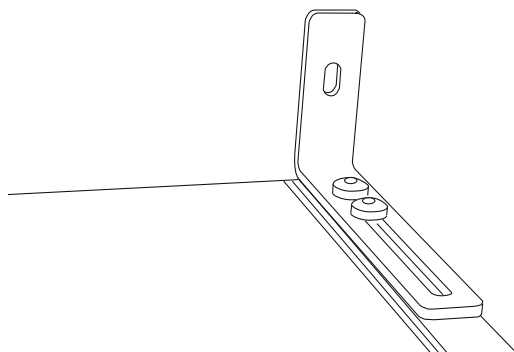


fig.W01286

## 5 Reversing the door

The cabinet is delivered from the factory with a right-hung or left-hung door. The door can be rehung later. A rehanging kit is required to reverse the hanging of the door. This can be ordered as a spare part.

### Rehanging kit

The kit's part number is 432731280. It consists of 1 right and 1 left upper hinge.

*The instructions below describe how to rehang a right-hung door to a left-hung door.*

Open the door and undo the four screws (1) securing the display (2).

Detach the display from the door. Take care so as not to damage the cable.

Disconnect the cable from the display and remove the display. Allow the cable to hang down.

Detach the cabinet from the wall and turn it so you can access the back.

Undo the two screws securing the roof located under blanking plugs (3), as illustrated, and remove the roof.

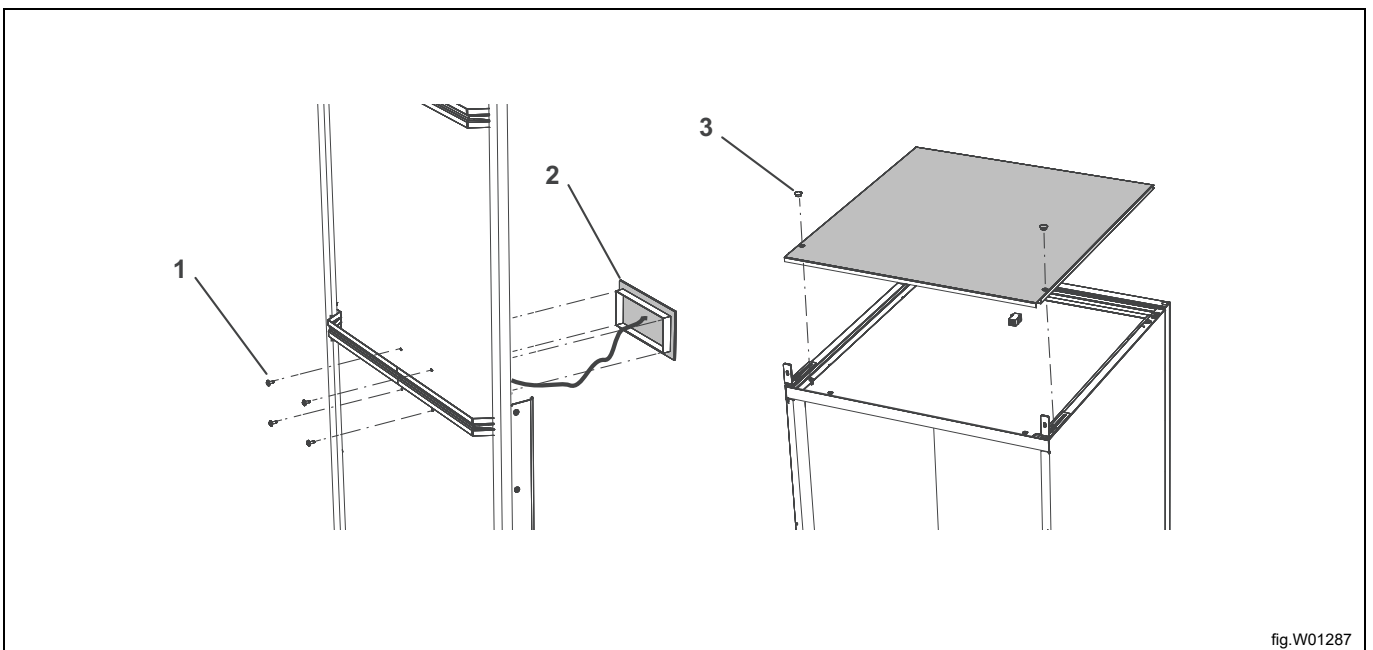


fig.W01287

Carefully lay the cabinet on its back.

Remove the protective cover (4) from the upper hinge (5) and release the door cable (6). Remove the hinge, which is secured with two screws. Carefully pull the hinge loose from the cable.

Discard the hinge.

The hinges have a slot where the cable can be threaded in or out.

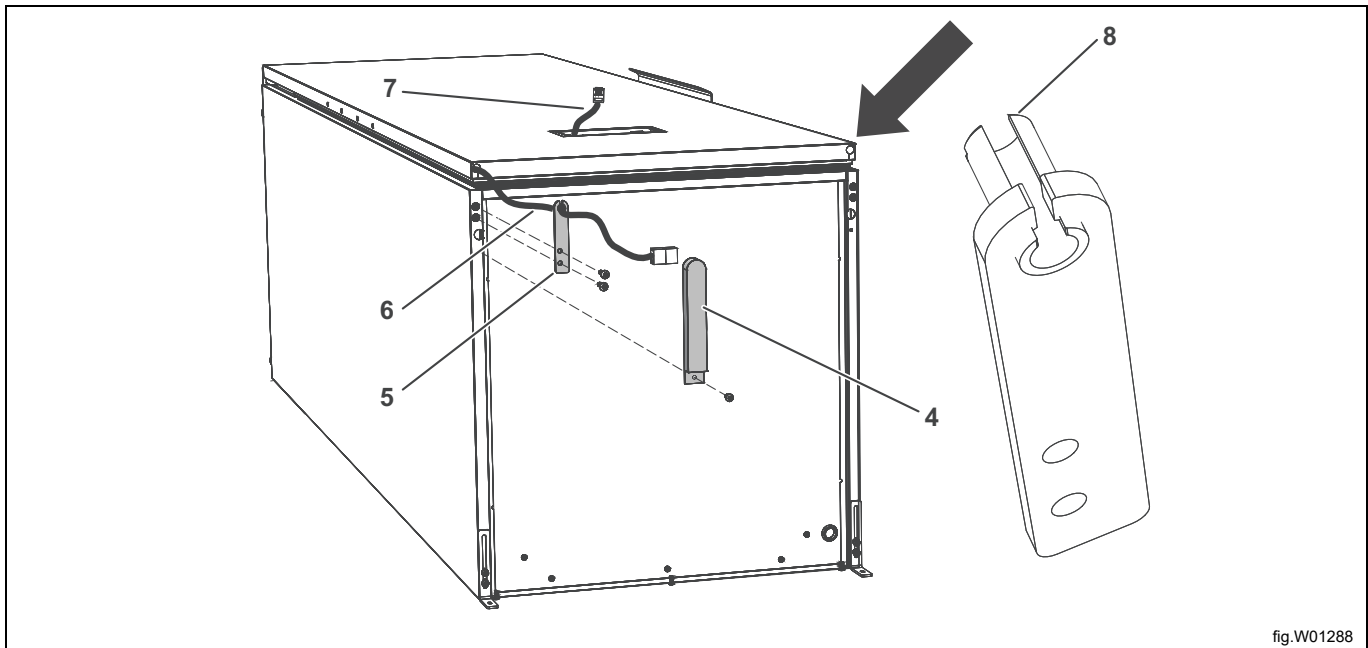
Carefully pull out the door cable together with the plastic bushing. Taping the connection plug (7) makes it easier to pull the cable out.

Take the new upper hinge (8) from the rehanging kit and thread the cable through this the same way as when removing the old one from the cable.

Thread the cable in the door at the arrow in the figure, and press the plastic bushing into place. Install the hinge and the cover over the hinge.

Reinstall the roof, which was removed in section 4 *Installation*.

Route the cable so that it comes up to the opening for the display.



Move the lower hinge (8) to the other side. The hinge should be reversed and the hinge pin unscrewed and reinstalled on the other side of the hinge.

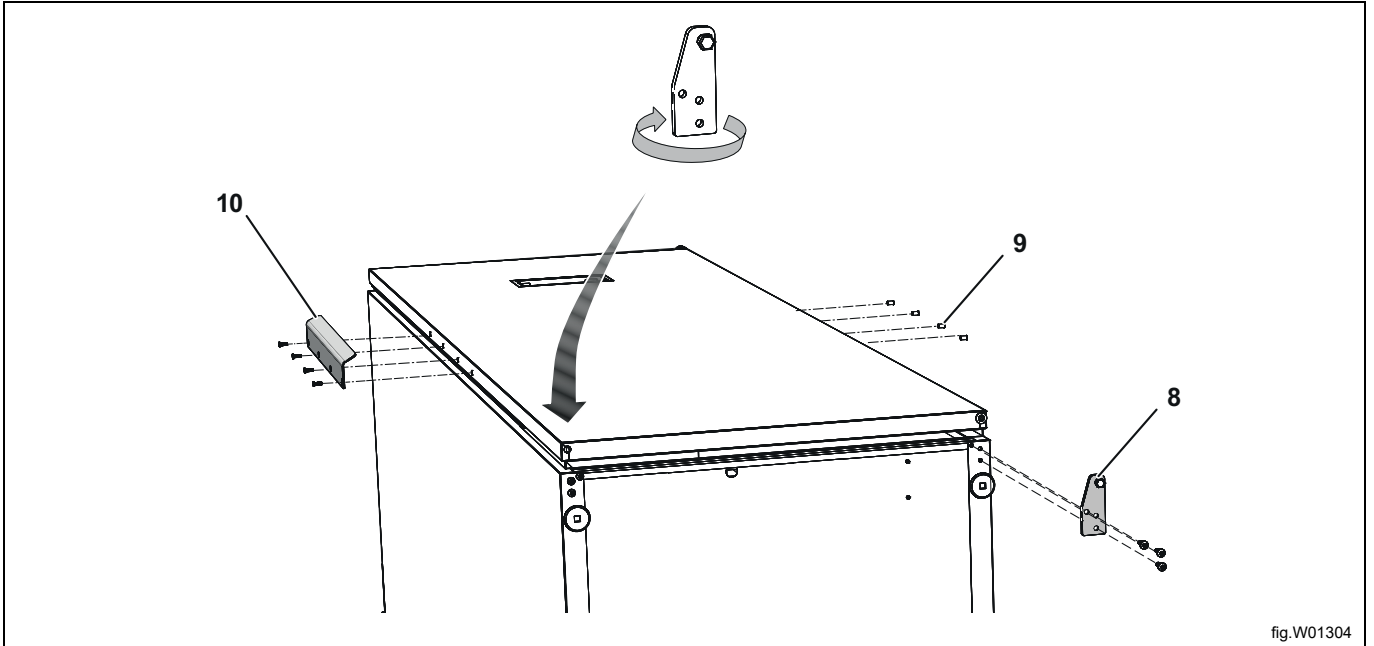
**Make sure that you tighten the hinge pin properly.**

Remove the blanking plugs (9) and the door handle (10). Move these parts to the other side.

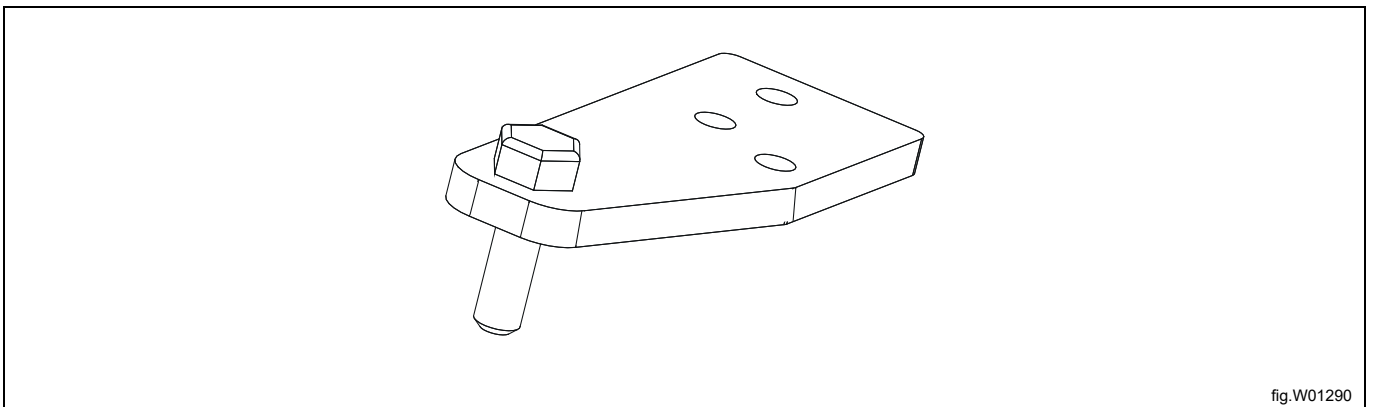
Raise up the cabinet.

Locate the door cable plug and reconnect it in the display. Position the display and secure it with the four screws from inside the door.

Put the cabinet into position and **secure it against the wall.**



Lower hinge



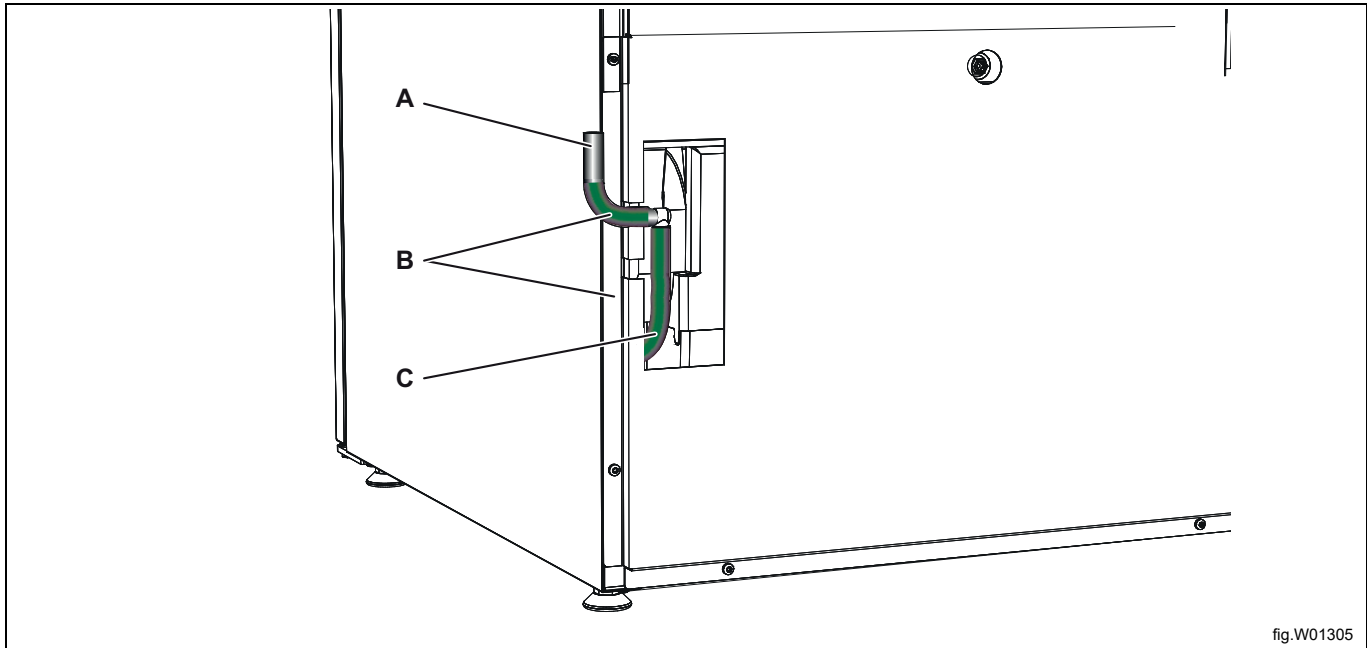
## 6 Connection to floor drain

The drying cabinet comes with a preinstalled hose for connection to a floor drain.

Position the drain hose (A) in one of the cutouts in the plate (B) so there is no risk of it being pinched.

Route the drain hose to the drain.

If the floor drain is higher than the cabinet drain, make sure that the hose makes an arch down towards the floor and forms a water trap. If you fail to do this, there is a risk of condensation flowing back to the box when the pump is not running. This could cause the box to fill with water and the cabinet to stop working.



A	Drain hose
B	Cutout in the plate for the drain hose
C	Hose from the condensation pump



**NOTE:** The hose must not under any circumstances be bent so much that the flow of water is obstructed.

## 7 Electrical connection



The electrical installation may only be performed by qualified personnel.

The drying cabinet is delivered ready for connection, with cable and grounded plug.

Electrical connections					
Heating alternative	Main voltage	Hz	Heating power kW	Total power kW	Recommended fuse A
Machines with heat pump	230V 1~	50	1	1.2	10

1. Total power and recommended fuse does not depend on the heating power in those cases.

We recommend that the mains cable be equipped with a **ground fault interrupter**.

The electrical outlet must be in a location that makes it easy to unplug the cabinet if necessary.

## 8 Language setting

- Activate the programming mode: Press STOP + SUN + BUTTERFLY. Press the Stop button first and then the program selection buttons simultaneously. The display lights up and shows "ACCESS 1000". To be able to move on, code 9191 must replace the code 1000.
- After the above, you will be at the first digit "1" in ACCESS 1000. Step to the digit "9" using the program selection buttons SUN (up) or BUTTERFLY (down). Then move to the next digit, in this case "0", using the STOP button. Increase this to "1" using the SUN button and then continue until "9191" is shown. Once you have set the last digit, press the STOP button and **access programming mode**.
- The first parameter and the factory-set value are then shown in the display. The row with the parameter flashes.
- Step forward or back with the SUN (increase) or BUTTERFLY (decrease) button until "P 105" is shown.
- Once the display shows "P105", press STOP to confirm. The row below will now flash with the language symbol. Each language is assigned a number symbol as listed in the following table. The unit is factory-set to "1" (Swedish).
- Step to the required language with the SUN or BUTTERFLY button.
- Press STOP to save.
- To exit programming mode, press STOP + BUTTERFLY (STOP button first). The display will restart and the new language is set.

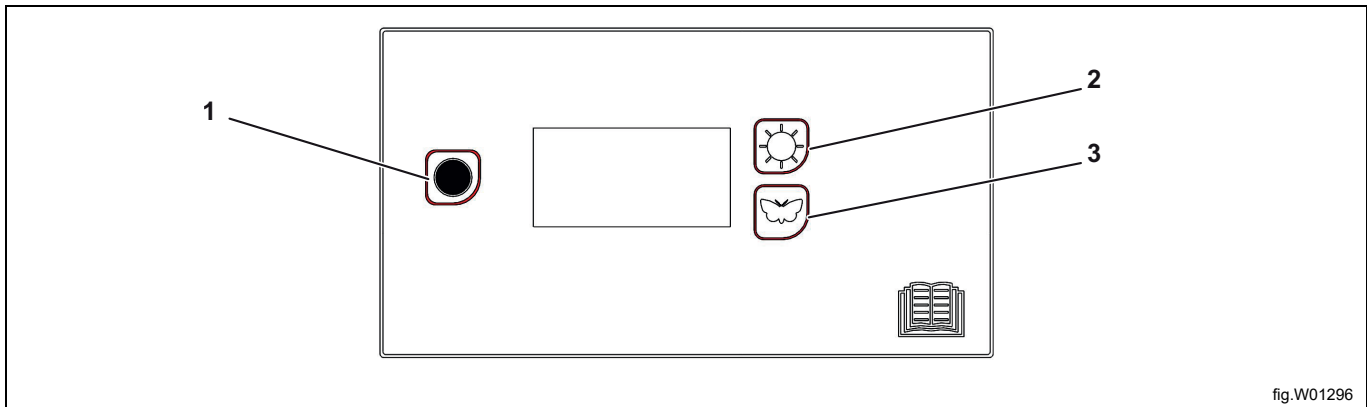


fig.W01296

1	Stop button
2	Sun button Extra drying
3	Butterfly button Normal drying

Language symbol	Display language
0	English
1	Swedish
2	Norwegian
3	Danish
4	Finnish
5	Russian
6	French
7	German



## 9 Function check



May only be performed by qualified personnel.



A function check must be performed when the installation is finished and before the appliance can be used. Whenever a repair has been made, a function check must be performed before the appliance can be used again.

- Select any program and check that the drying cabinet is heating and that there are no odd noises.

### Ready for use

If all tests are OK the appliance is now ready for use.

If any of the tests fail, or deficiencies or faults are detected, please contact your local service organization or supplier. Use a mild dish soap with hot water to wipe the inside and outside of the drying cabinet. Wipe thoroughly.

## 10 Disposal information

### 10.1 Disposal of appliance at end of life

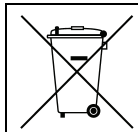
Before disposing of the machine, make sure to carefully check its physical condition, and in particular any parts of the structure that can give or break during scrapping.

The machine's parts must be disposed of in a differentiated way, according to their different characteristics (e.g. metals, oils, greases, plastic, rubber, etc.).

Different regulations are in force in the various countries, therefore comply with the provisions of the laws and competent bodies in the country where scrapping takes place.

In general, the appliance must be taken to a specialised collection/scrapping centre.

Dismantle the appliance, grouping the components according to their chemical characteristics, remembering that the compressor contains lubricant oil and refrigerant fluid which can be recycled, and that the refrigerator and heat pump components are special waste assimilable with urban waste.



The symbol on the product indicates that this product should not be treated as domestic waste, but must be correctly disposed of in order to prevent any negative consequences for the environment and human health. For further information on the recycling of this product, contact the local dealer or agent, the Customer Care service or the local body responsible for waste disposal.




#### Note!

**When scrapping the machine, any marking, this manual and other documents concerning the appliance must be destroyed.**

### 10.2 Disposal of packing

The packing must be disposed of in compliance with the current regulations in the country where the appliance is used. All the packing materials are environmentally friendly.

They can be safely kept, recycled or burned in an appropriate waste incineration plant. Recyclable plastic parts are marked as following examples.

	Polyethylene: <ul style="list-style-type: none"> <li>• Outer wrapping</li> <li>• Instructions bag</li> </ul>
	Polypropylene: <ul style="list-style-type: none"> <li>• Straps</li> </ul>
	Polystyrene foam: <ul style="list-style-type: none"> <li>• Corner protectors</li> </ul>





Electrolux Professional AB  
341 80 Ljungby, Sweden  
[www.electroluxprofessional.com](http://www.electroluxprofessional.com)