

Installation manual

Drying Cabinet

DC6-4



Electrolux
PROFESSIONAL

Contents

Contents

| | | |
|-------|--|----|
| 1 | Safety Precautions | 5 |
| 1.1 | General safety information..... | 5 |
| 1.2 | Symbols..... | 5 |
| 2 | Technical data..... | 6 |
| 3 | Installation kit..... | 7 |
| 4 | Installation | 8 |
| 4.1 | Unpacking..... | 8 |
| 4.2 | Recycling instruction for packaging | 9 |
| 4.3 | Placement..... | 9 |
| 4.4 | Mechanical installation | 10 |
| 5 | Evacuation system | 11 |
| 5.1 | Fresh air..... | 11 |
| 5.2 | Evacuation connection | 11 |
| 5.2.1 | Draft stabilizer | 12 |
| 5.2.2 | Permanently installed and connected to the ventilation duct..... | 13 |
| 6 | Reversing the door | 15 |
| 7 | Electrical connection..... | 19 |
| 8 | Function check..... | 20 |
| 9 | Disposal information | 21 |
| 9.1 | Disposal of appliance at end of life | 21 |
| 9.2 | Disposal of packing..... | 21 |

The manufacturer reserves the right to make changes to design and component specifications.

1 Safety Precautions

WARNING. This appliance is intended only for drying textiles washed in water.

DO NOT MODIFY THIS APPLIANCE.

Servicing shall be carried out only by authorized personnel.

Only authorized spare parts shall be used.

When performing service or replacing parts, the power must be disconnected.

Stationary appliances not fitted with means for disconnection from the supply mains having a contact separation in all poles that provide full disconnection under overvoltage category III, means for disconnection must be incorporated in the fixed wiring in accordance with the wiring rules.

A-weighted emission sound pressure level at workstations: <70 dB

Additional requirements for the following countries: AT, BE, BG, HR, CY, CZ, DK, EE, FI, FR, DE, GR, HU, IS, IE, IT, LV, LT, LU, MT, NL, NO, PL, PT, RO, SK, SI, ES, SE, CH, TR, UK:

- This appliance can be used in public areas.
- This appliance can be used by children aged from 8 years and above and persons with reduced physical, sensory or mental capabilities or lack of experience and knowledge if they have been given supervision or instruction concerning use of the appliance in a safe way and understand the hazards involved. Children shall not play with the appliance. Cleaning and user maintenance shall not be made by children without supervision.

Additional requirements for other countries:





- This appliance is not intended for use by persons (including children) with reduced physical, sensory or mental capabilities, or lack of experience and knowledge, unless they have been given supervision or instruction concerning use of the appliance by a person responsible for their safety. Children should be supervised to ensure that they do not play with the appliance.

1.1 General safety information

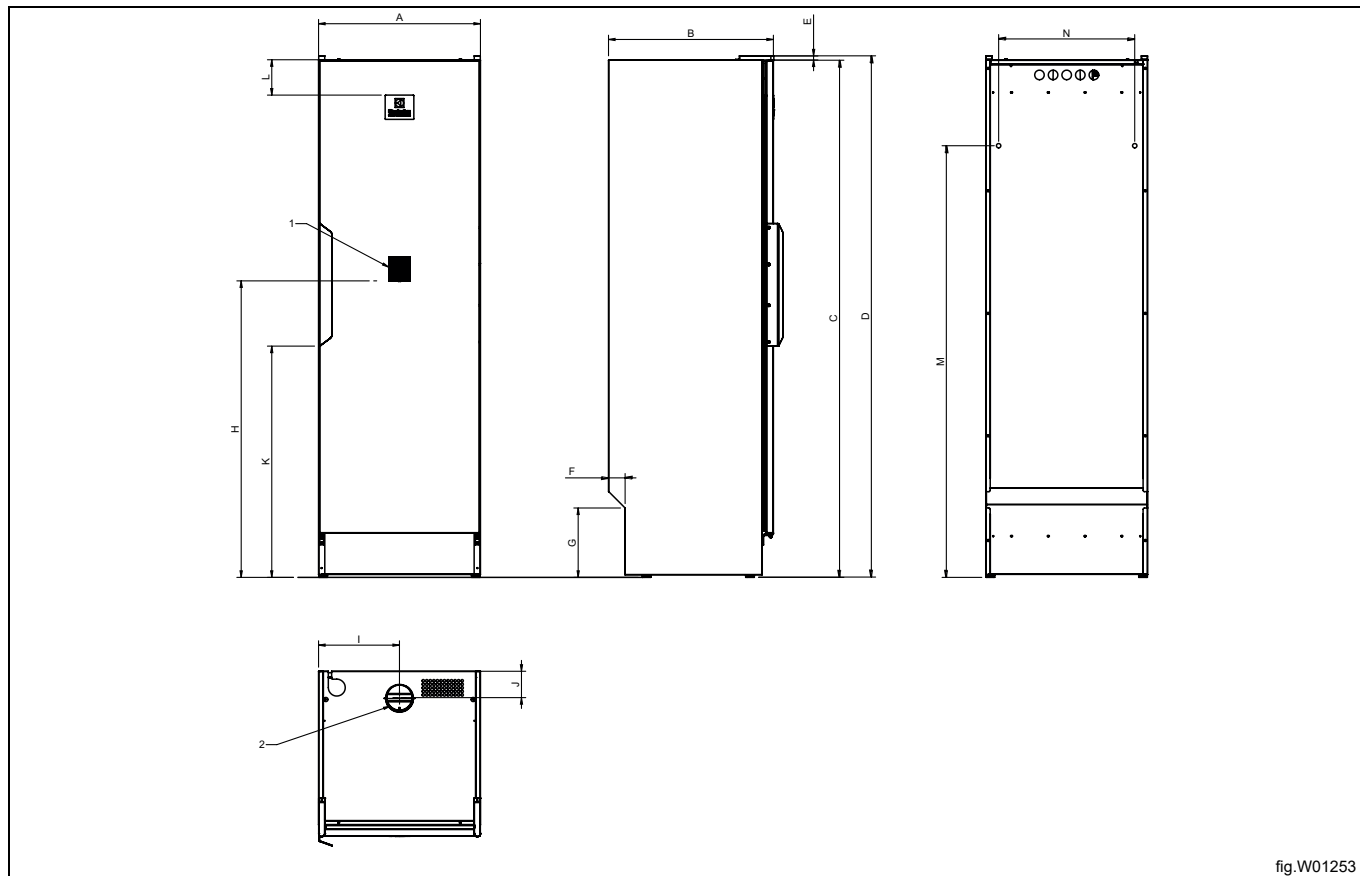
Do not hose down the machine with water.

In order to prevent damage to the electronics (and other parts) that may occur as the result of condensation, the machine should be placed in room temperature for 24 hours before being used for the first time.

1.2 Symbols

| | |
|---|--|
|  | Caution |
|  | Caution, hot surface |
|  | Read the instructions before using the machine. |
|  | Be careful. The drying cabinet is top heavy and can tip over easily. |

2 Technical data



| | |
|---|----------------------------------|
| 1 | Control panel |
| 2 | Air outlet* \varnothing 100 mm |

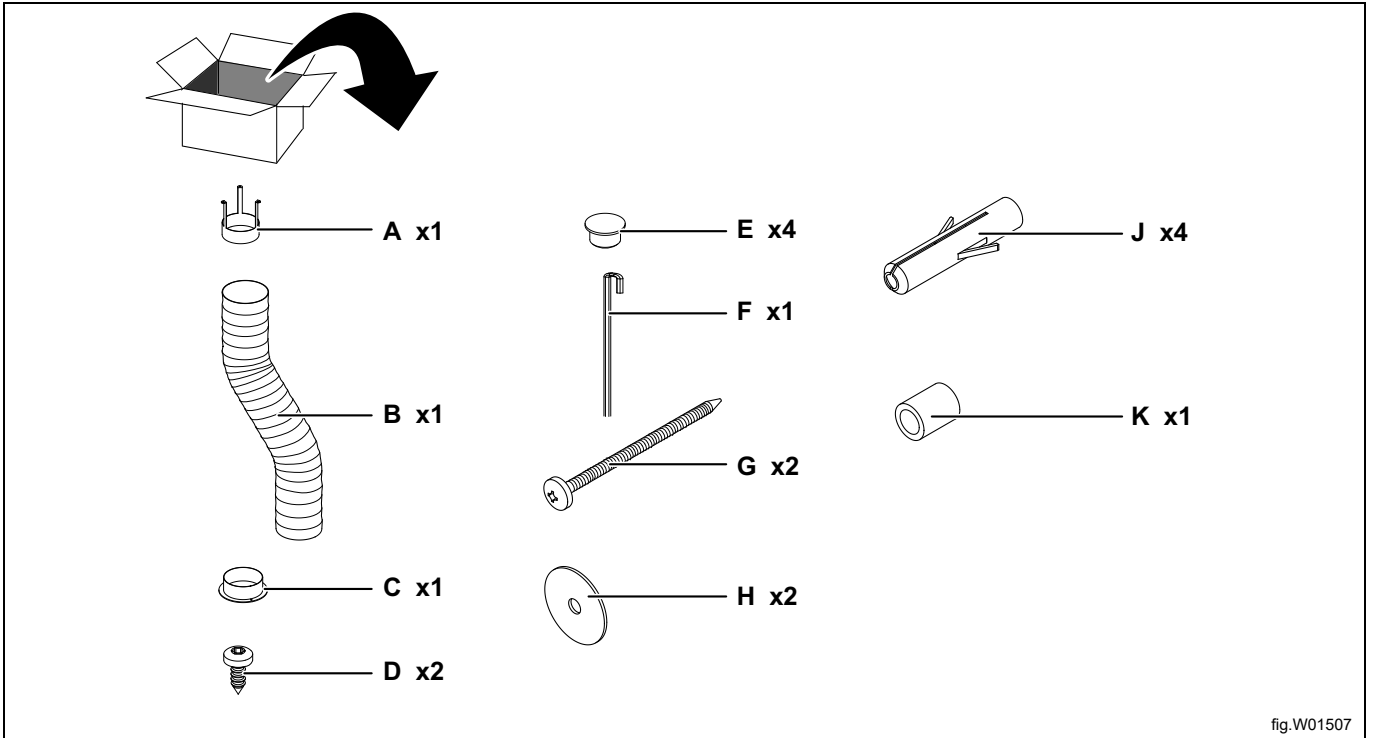
| | A | B | C | D | E | F | G |
|----|-----|-----|------|------|----|----|-----|
| mm | 595 | 606 | 1901 | 1915 | 15 | 60 | 255 |

| | H | I | J | K | L | M | N |
|----|------|-----|-----|-----|-----|------|-----|
| mm | 1089 | 300 | 100 | 850 | 130 | 1586 | 500 |

* Connected with supplied draft stabilizer and hose.

Net weight: 56 kg.

3 Installation kit



| | |
|---|--------------------------------|
| A | Draft stabilizer |
| B | Hose |
| C | Spigot |
| D | Fixing screw for spigot |
| E | Cover plug for adjustable feet |
| F | Allen key |
| G | Screw TRX 5x70 zinc-plated |
| H | Washer N8 5x25 |
| J | Wall plug |
| K | Spacer 8.2x12x15 |

4 Installation

Place the drying cabinet on its final position.

Level the drying cabinet with the adjustable feet. Use the supplied Allen key (A) and adjust all four of the feet through the holes in the base plate of the drying cabinet. Once the drying cabinet is level, press the four cover plugs (B) down firmly into the holes.

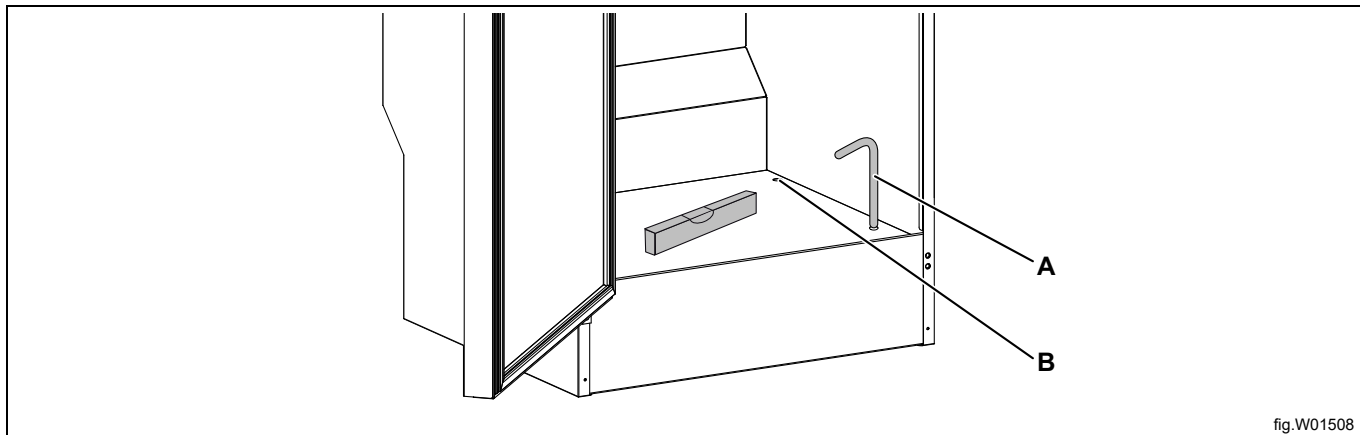


fig.W01508

4.1 Unpacking

Unpack the drying cabinet and check that it has not been damaged in transit. Any damage to the drying cabinet and/or the packaging must be reported within 7 days.

4.2 Recycling instruction for packaging

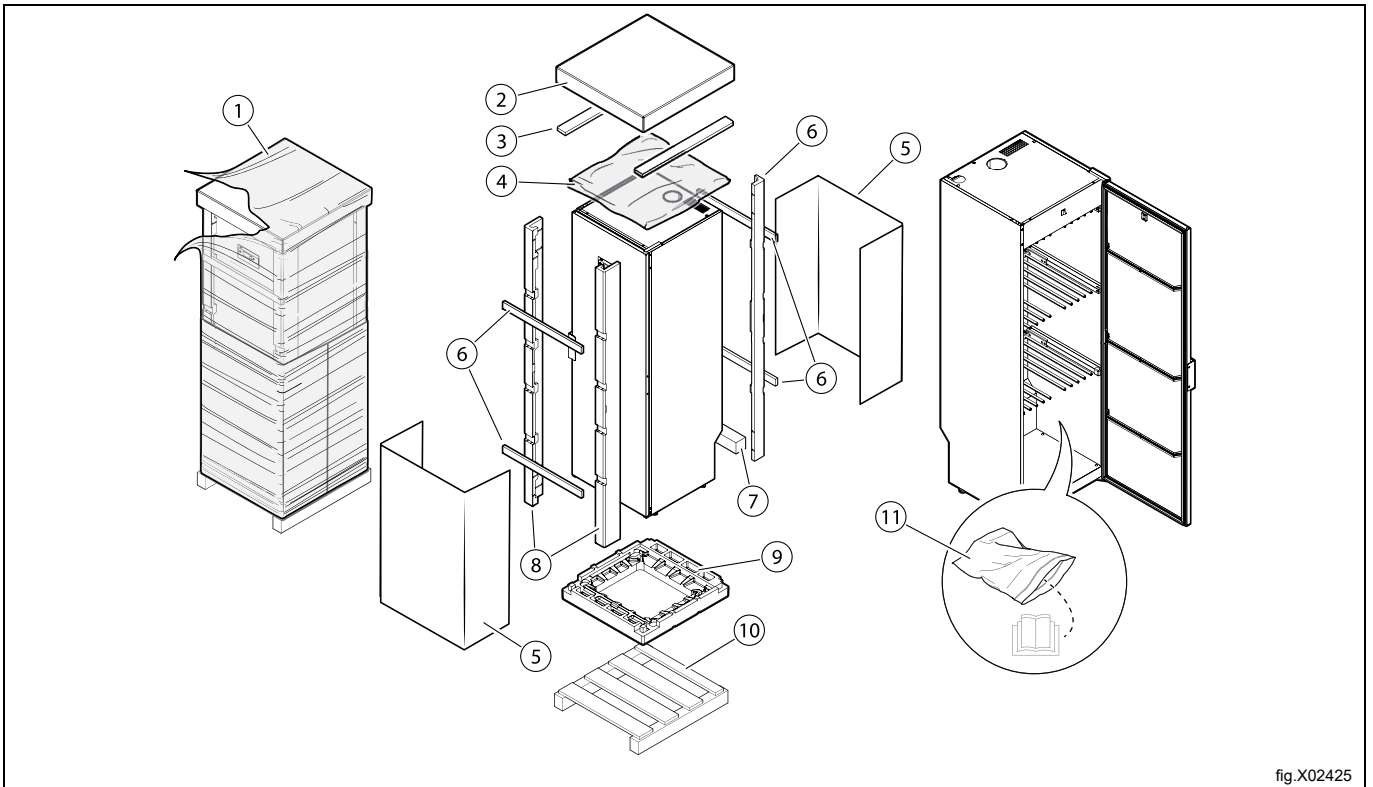


fig.X02425

| Fig. | Description | Code | Type |
|------|---------------------------|--------|----------|
| 1 | Wrapping film | LDPE 4 | Plastics |
| 2 | Cardboard packaging top | PAP 20 | Paper |
| 3 | Wooden bars | FOR 50 | Wood |
| 4 | Protection film | LDPE 4 | Plastics |
| 5 | Cardboard side protection | PAP 20 | Paper |
| 6 | Wooden bars | FOR 50 | Wood |
| 7 | Support bar | PS 6 | Plastics |
| 8 | Corner protection | PS 6 | Plastics |
| 9 | Undercarriage protection | PS 6 | Plastics |
| 10 | Pallet | FOR 50 | Wood |
| 11 | Plastic bag | LDPE 4 | Plastics |

4.3 Placement

The drying cabinet should be positioned so that there is plenty of room for working, both for the user and service personnel.

4.4 Mechanical installation



The drying cabinet must be secured to the wall to prevent it from tipping over. (Kit for this included upon delivery.)

Once the drying cabinet is in its final position, open the door and slide out the upper hanger section.

Drill 8 mm holes in the wall through the two predrilled holes in the rear of the drying cabinet (F).

Insert the plastic plugs (C) into the holes in the wall (D). Place a spacer (E) on the screw (G) and install with a washer as shown in the figure.

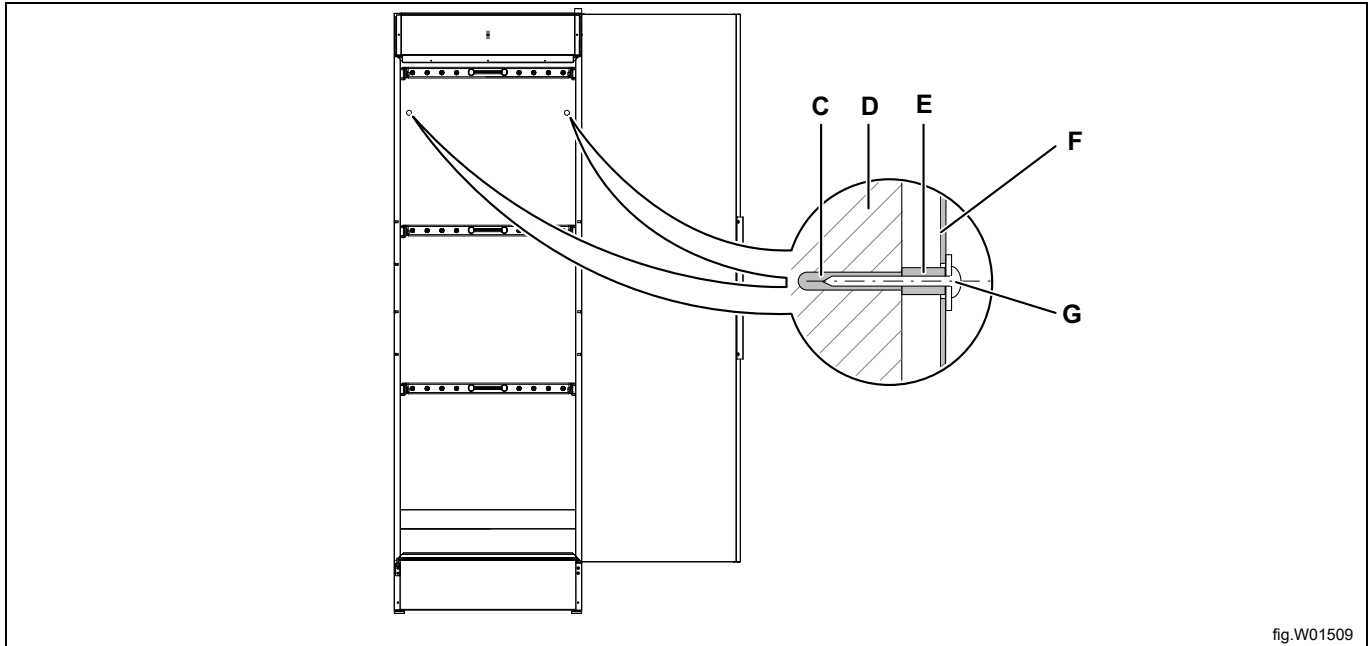


fig.W01509

5 Evacuation system

5.1 Fresh air

When the drying cabinet is running, about 50 m³ of moist air is evacuated per hour. This air is taken from the room where the drying cabinet is situated.

It is therefore important to ensure that fresh air can enter the room from the outside to replace the humid air that is vented out.

The recommended fresh air intake should be 5 times larger than the recommended shared exhaust air duct.

5.2 Evacuation connection

The drying cabinet should be connected to a standard exhaust ventilation unit.

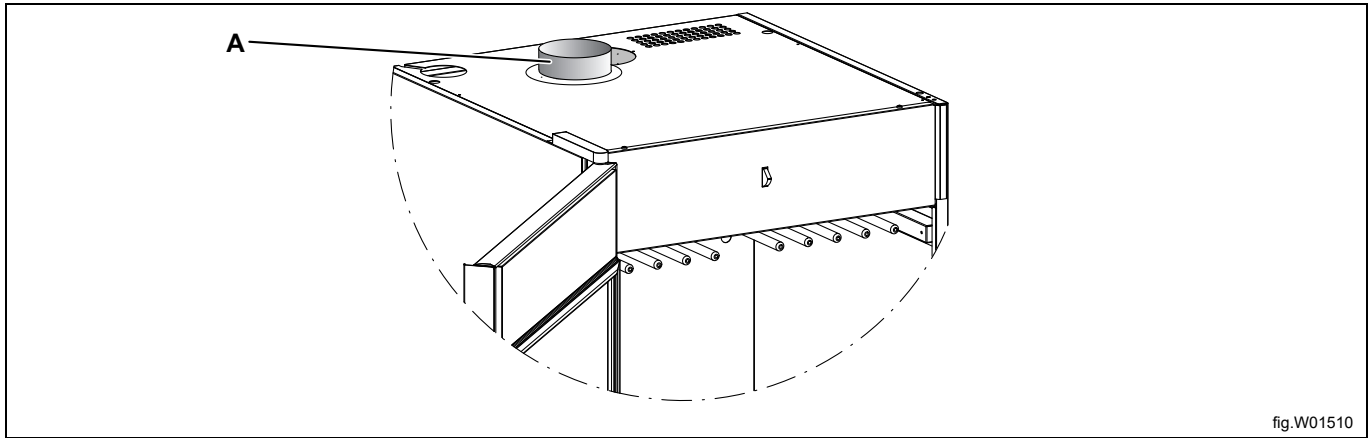
There are two possible ways to connect the drying cabinet to a ventilation duct – either with a draft stabilizer or with a permanent connection to an exhaust air system. If the drying cabinet is being connected to an existing ventilation system, a draft stabilizer must always be used so that the general ventilation in the room is not affected.

Permanent connection is only permitted if a drying cabinet comes with a separate exhaust air duct.

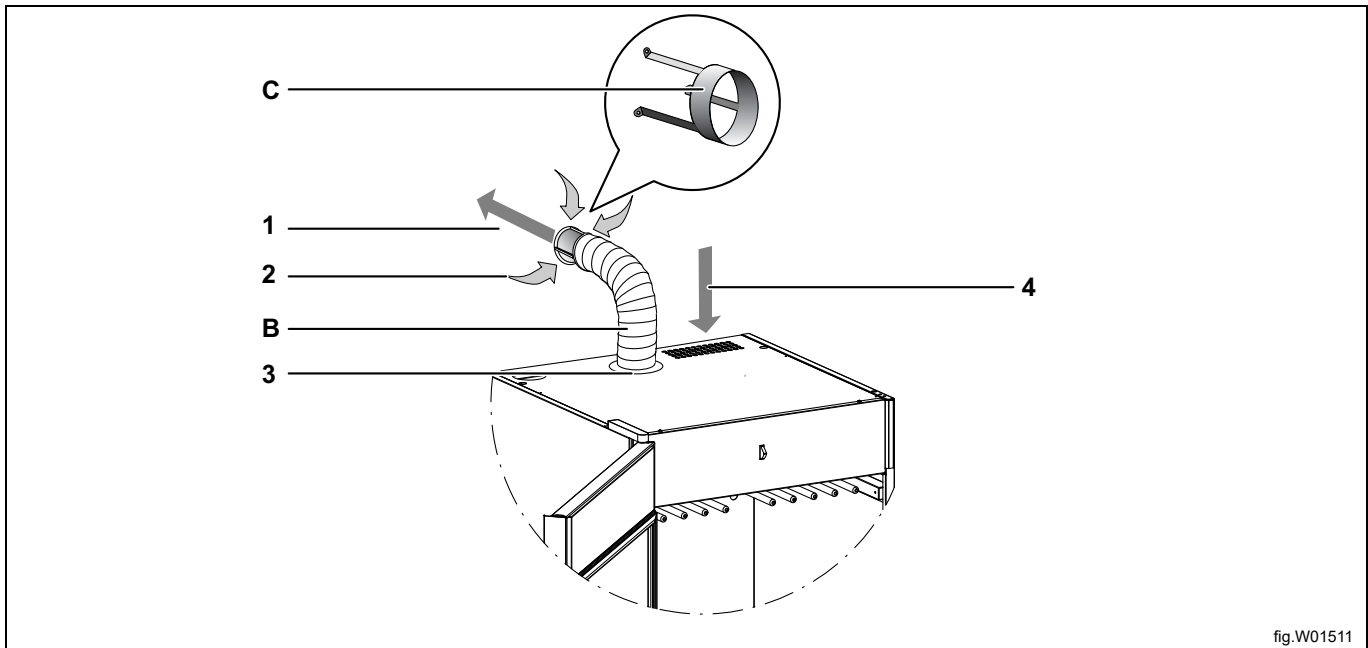
5.2.1 Draft stabilizer

The drying cabinet has been tested and set at factory for connection with a draft stabilizer. (Kit for this included upon delivery.)

Place the spigot (A) over the hole in the top of the cabinet. Insert the screws and secure the spigot.



Connect the flexible hose (B) to the spigot. Connect the other end of the hose to the draft stabilizer (C), and then press the draft stabilizer securely into the exhaust air vent in the room.



| | |
|---|---------------------------|
| 1 | Humid air out |
| 2 | Ventilation from the room |
| 3 | Nipple |
| 4 | Air intake |

5.2.2 Permanently installed and connected to the ventilation duct

When the drying cabinet is permanently connected to the ventilation duct, the whole room is ventilated through the drying cabinet. (A kit for this is included with the drying cabinet, except for the insert).

Place the spigot (A) over the hole in the top of the cabinet. Insert the screws and secure the spigot.

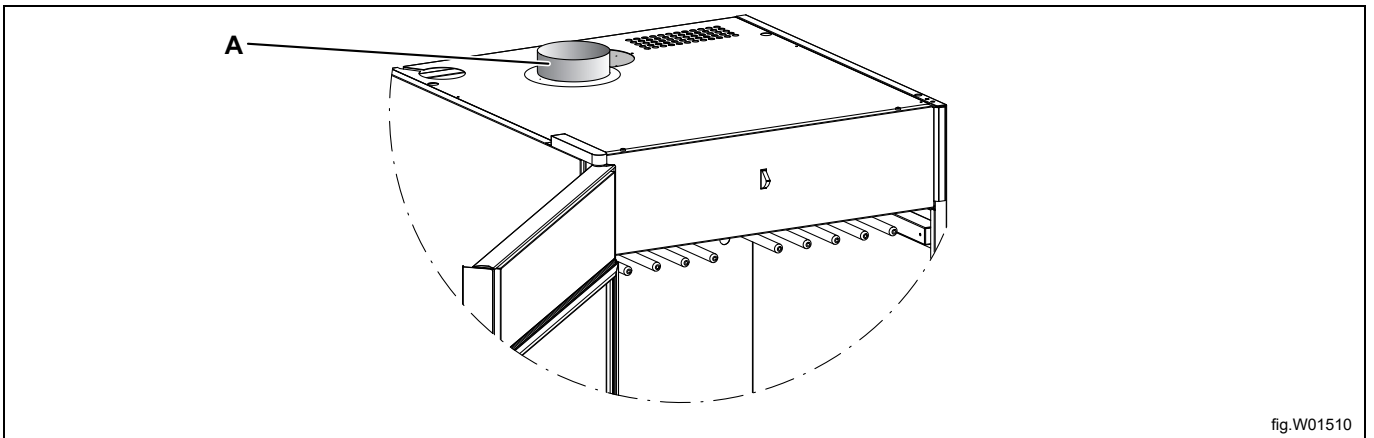


fig.W01510

Connect the flexible hose (B) to the spigot. Connect the other end of the hose to the insert (C) (the insert is not included), and then press the insert securely into the exhaust air vent in the room.

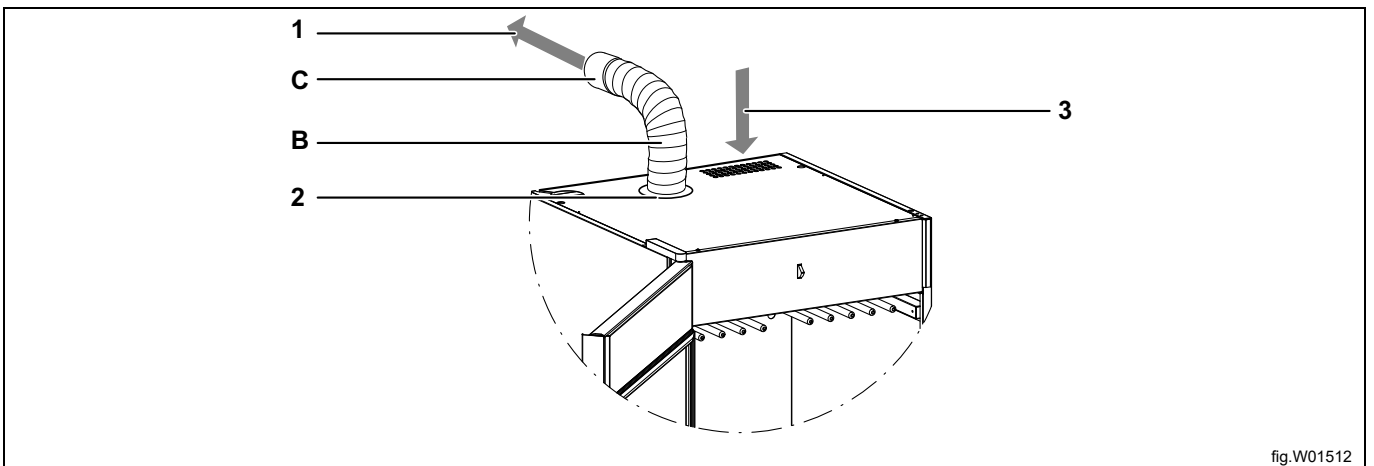


fig.W01512

| | |
|---|---------------|
| 1 | Humid air out |
| 2 | Nipple |
| 3 | Air intake |

If multiple drying cabinets or dryers are connected to the same air duct, a non-return valve must be installed on each appliance to prevent cold air from entering or the air pressure of one appliance affecting the other.

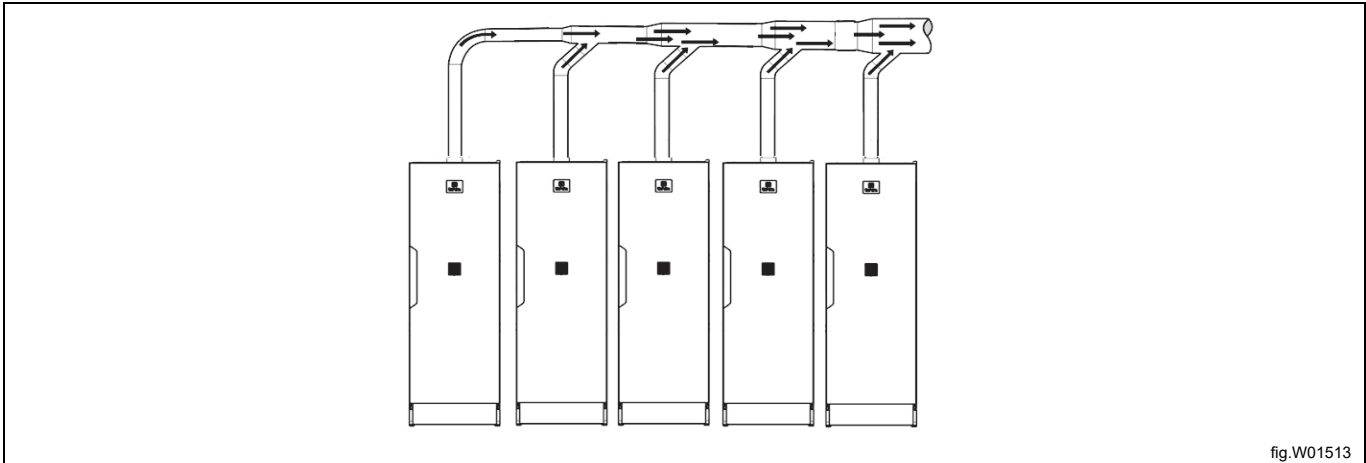


fig.W01513

| Number of cabinets | | 1 | 2 | 3 | 4 | 5 | 6 | 7 | 8 | 9 | 10 |
|---------------------------------------|-------------------|-------|-------|-------|-------|-------|-------|-------|-------|-------|-------|
| Evacuation pipe | dia. [mm] | 100 | 100 | 100 | 125 | 125 | 160 | 160 | 160 | 200 | 200 |
| Recommended area for fresh air intake | [m ²] | 0,039 | 0,039 | 0,039 | 0,061 | 0,061 | 0,101 | 0,101 | 0,101 | 0,157 | 0,157 |
| Minimum area for fresh air intake | [m ²] | 0,009 | 0,017 | 0,026 | 0,035 | 0,043 | 0,052 | 0,061 | 0,069 | 0,078 | 0,087 |

6 Reversing the door

Note!

The left and right upper hinges are not interchangeable. When rehangng, a new upper hinge must be ordered from the supplier.

Disconnect the power to the appliance.

Carefully lay the drying cabinet on its back.

Remove the cover on the upper part of the drying cabinet (A) and the protection plate (B) above the control cable from the door's membrane panel (C). Arrows in the figure indicate the location of the fastening screws for each part.

Disconnect the door cable from the control unit in the upper part of the cabinet using the fast coupling (D). Note how the cables are connected!

Unscrew the lower hinge pin (E).

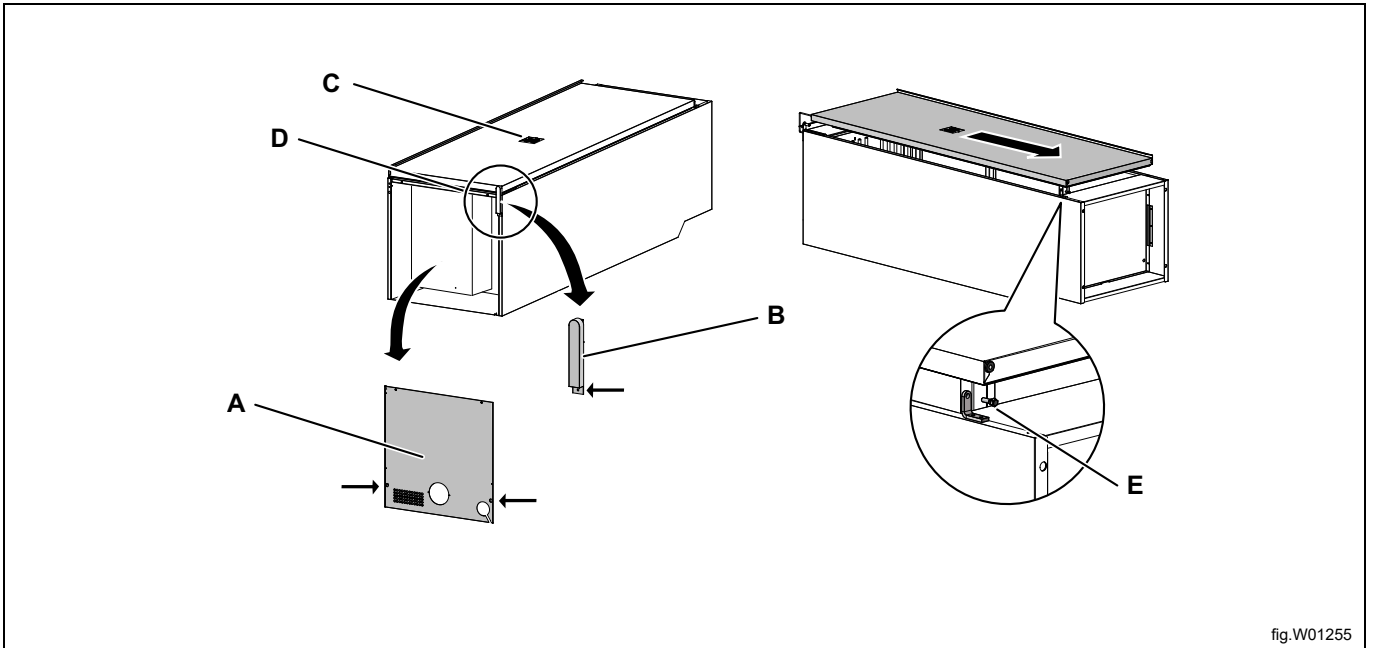


fig.W01255

Lift up the door a bit from the bottom edge and remove it from the upper hinged joint, far enough so that the hinge pin is exposed. The pin has a groove for the control cable.

Pull the door cable (F) with its connecting contact out of the slot in the hinge. The door cable is bared so that it can be pulled through the slot. Use this part when pulling the cable out.

The door (G) is now free and can be put aside.

Detach the upper hinge (H) with the hinge plate (I). Discard the hinge and plate.

Fit the new replacement hinge with hinge plate on the opposite side. (The hinge and hinge plate must be ordered from the supplier).

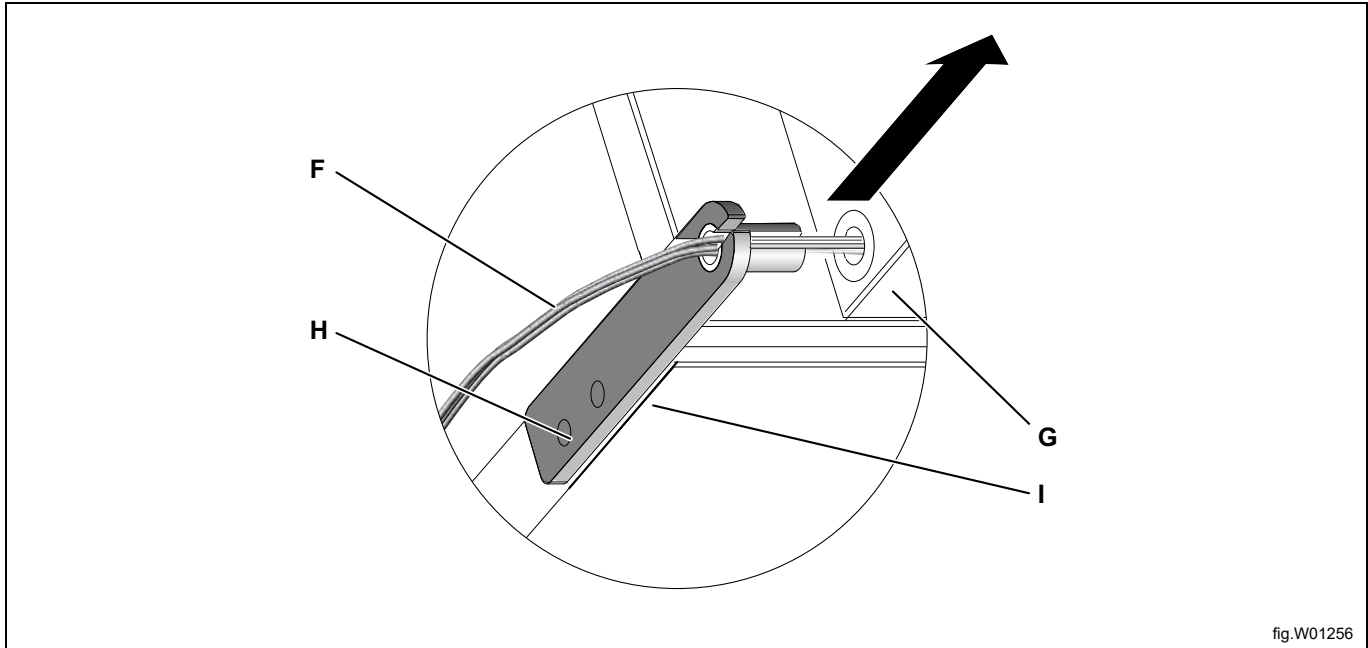


fig.W01256

Remove the fan unit (J). The torque screws are located on the interior surface on the top of the drying cabinet. The screws will become accessible if the hanger section is pulled out a bit.

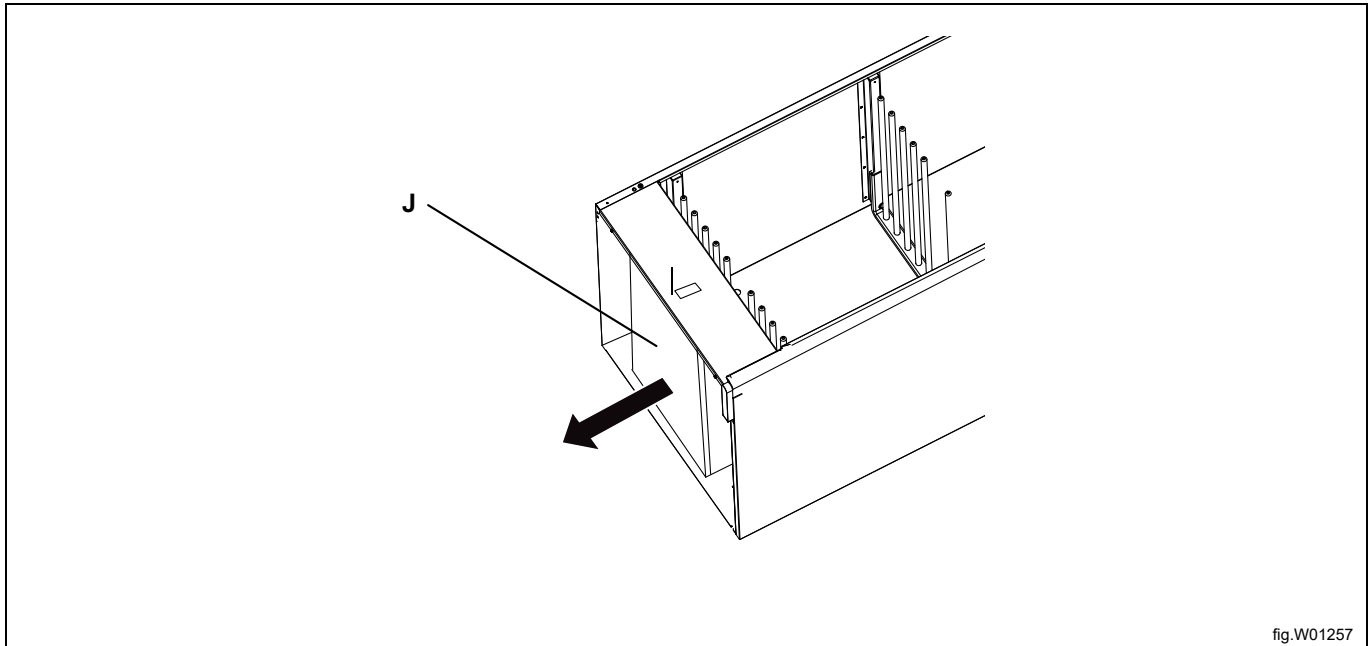


fig.W01257

Remove the cover from the fan unit. The cover is attached with one screw on each short and long side. Move the control cable (K) over to the other side and pull it through the predrilled holes in the side. Reinstall the cover and securely fasten the fan unit again.

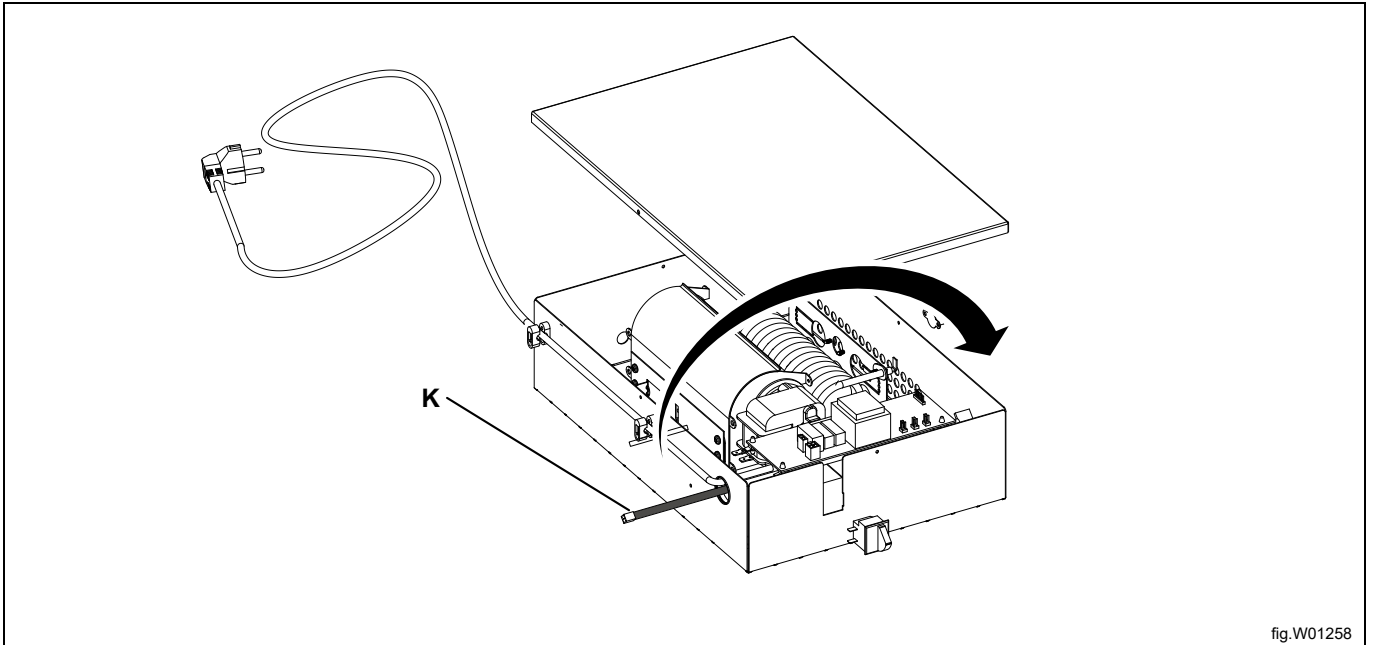


fig.W01258

Turn the door so that the inside becomes accessible.

Loosen the upper inner plate (L). The plate is secured with five screws (three screws under the magnetic strip and one screw on each end).

Loosen and move the two hinge bushings in the door to the opposite side. In the figure, the upper one is labeled (M).

Move the door cable (N) to the other side. Pull it through the hinge bushing that was moved.

Reattach the inner plate.

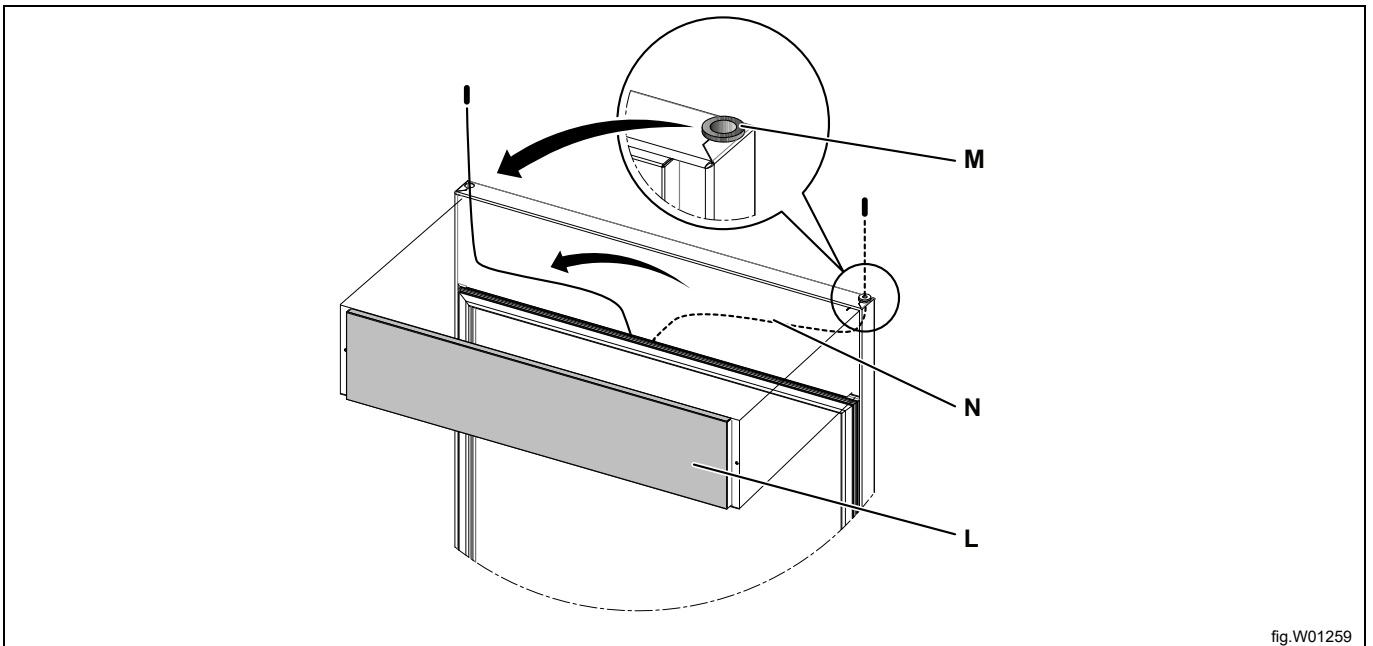


fig.W01259

Attach the door.

Insert the door cable through the slot in the new upper hinge. (Use the bared part of the cable).

Slide the door up onto the hinge pin.

Attach the lower hinge pin.

Connect the door cable to the fan unit in the upper part of the drying cabinet using the fast coupling.

Make sure the cables are connected in the same way as before.

Reinstall protective cover over the cable and refit the cap over the drying cabinet.

Move the door handle to the other side. Torque tighten to 2.5 Nm.

7 Electrical connection



The electrical installation may only be performed by qualified personnel.



The drying cabinet is supplied ready for connection with a cable with a grounded plug.

| Electrical connections | | | | | |
|-------------------------------|--------------|-------|---------------------|-------------------|--------------------------|
| Heating alternative | Main voltage | Hz | Heating power kW | Total power kW | Recommended fuse A |
| Electric heated machines | 230V 1~ | 50/60 | 1.5 | 1.5 | 10 |

We recommend that the mains cable be equipped with a ground fault interrupter.

The electrical outlet must be in a location that makes it easy to unplug the cabinet if necessary.

8 Function check



May only be performed by qualified personnel.



A function check must be performed when the installation is finished and before the appliance can be used.

Whenever a repair has been made, a function check must be performed before the appliance can be used again.

- Select any program and check that the drying cabinet is heating and that there are no odd noises.

Ready for use

If all tests are OK the appliance is now ready for use.

If any of the tests fail, or deficiencies or faults are detected, please contact your local service organization or supplier.

9 Disposal information

9.1 Disposal of appliance at end of life

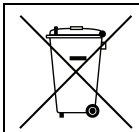
Before disposing of the machine, make sure to carefully check its physical condition, and in particular any parts of the structure that can give or break during scrapping.

The machine's parts must be disposed of in a differentiated way, according to their different characteristics (e.g. metals, oils, greases, plastic, rubber, etc.).

Different regulations are in force in the various countries, therefore comply with the provisions of the laws and competent bodies in the country where scrapping takes place.

In general, the appliance must be taken to a specialised collection/scrapping centre.

Dismantle the appliance, grouping the components according to their chemical characteristics, remembering that the compressor contains lubricant oil and refrigerant fluid which can be recycled, and that the refrigerator and heat pump components are special waste assimilable with urban waste.



The symbol on the product indicates that this product should not be treated as domestic waste, but must be correctly disposed of in order to prevent any negative consequences for the environment and human health. For further information on the recycling of this product, contact the local dealer or agent, the Customer Care service or the local body responsible for waste disposal.


Note!

When scrapping the machine, any marking, this manual and other documents concerning the appliance must be destroyed.

9.2 Disposal of packing

The packing must be disposed of in compliance with the current regulations in the country where the appliance is used. All the packing materials are environmentally friendly.

They can be safely kept, recycled or burned in an appropriate waste incineration plant. Recyclable plastic parts are marked as following examples.

| | |
|---|---|
|  <p>PE</p> | <p>Polyethylene:</p> <ul style="list-style-type: none"> • Outer wrapping • Instructions bag |
|  <p>PP</p> | <p>Polypropylene:</p> <ul style="list-style-type: none"> • Straps |
|  <p>PS</p> | <p>Polystyrene foam:</p> <ul style="list-style-type: none"> • Corner protectors |



Electrolux Professional AB
341 80 Ljungby, Sweden
www.electroluxprofessional.com