

Installation manual

Drying Cabinet

DC6-8HP_Q



Electrolux
PROFESSIONAL

Contents

Contents

1	Safety Precautions	5
1.1	General safety information.....	5
1.2	Symbols.....	5
2	Technical data.....	6
2.1	Dimensions drawing.....	6
2.2	Technical data	7
3	Delivery	8
4	Dehumidifier unit	9
4.1	Unpacking.....	9
4.2	Installation kit	9
4.3	Installation of upper part	10
5	Positioning/Attachment	12
5.1	Ventilating the room	12
5.2	Attachment to the wall	13
6	Electrical connection.....	14
6.1	Network Functions	14
6.2	Connecting to ELS Vision	15
6.3	Connecting to an external payment system.....	16
6.4	Restore factory settings.....	16
7	Connection to floor drain	17
8	Language setting.....	18
9	Function check.....	19
10	Disposal information	20
10.1	Disposal of appliance at end of life	20
10.2	Disposal of packing.....	20

The manufacturer reserves the right to make changes to design and component specifications.

1 Safety Precautions

WARNING. This appliance is intended only for drying textiles washed in water.

DO NOT MODIFY THIS APPLIANCE.

Servicing shall be carried out only by authorized personnel.

Only authorized spare parts shall be used.

When performing service or replacing parts, the power must be disconnected.

A-weighted emission sound pressure level at workstations: <70 dB

Additional requirements for the following countries: AT, BE, BG, HR, CY, CZ, DK, EE, FI, FR, DE, GR, HU, IS, IE, IT, LV, LT, LU, MT, NL, NO, PL, PT, RO, SK, SI, ES, SE, CH, TR, UK:

- This appliance can be used in public areas.
- This appliance can be used by children aged from 8 years and above and persons with reduced physical, sensory or mental capabilities or lack of experience and knowledge if they have been given supervision or instruction concerning use of the appliance in a safe way and understand the hazards involved. Children shall not play with the appliance. Cleaning and user maintenance shall not be made by children without supervision.

Additional requirements for other countries:





- This appliance is not intended for use by persons (including children) with reduced physical, sensory or mental capabilities, or lack of experience and knowledge, unless they have been given supervision or instruction concerning use of the appliance by a person responsible for their safety. Children should be supervised to ensure that they do not play with the appliance.

1.1 General safety information

Do not hose down the machine with water.

In order to prevent damage to the electronics (and other parts) that may occur as the result of condensation, the machine should be placed in room temperature for 24 hours before being used for the first time.

1.2 Symbols

	Caution
	Caution, hot surface
	Read the instructions before using the machine.
	Be careful. The drying cabinet is top heavy and can tip over easily.

2 Technical data

2.1 Dimensions drawing

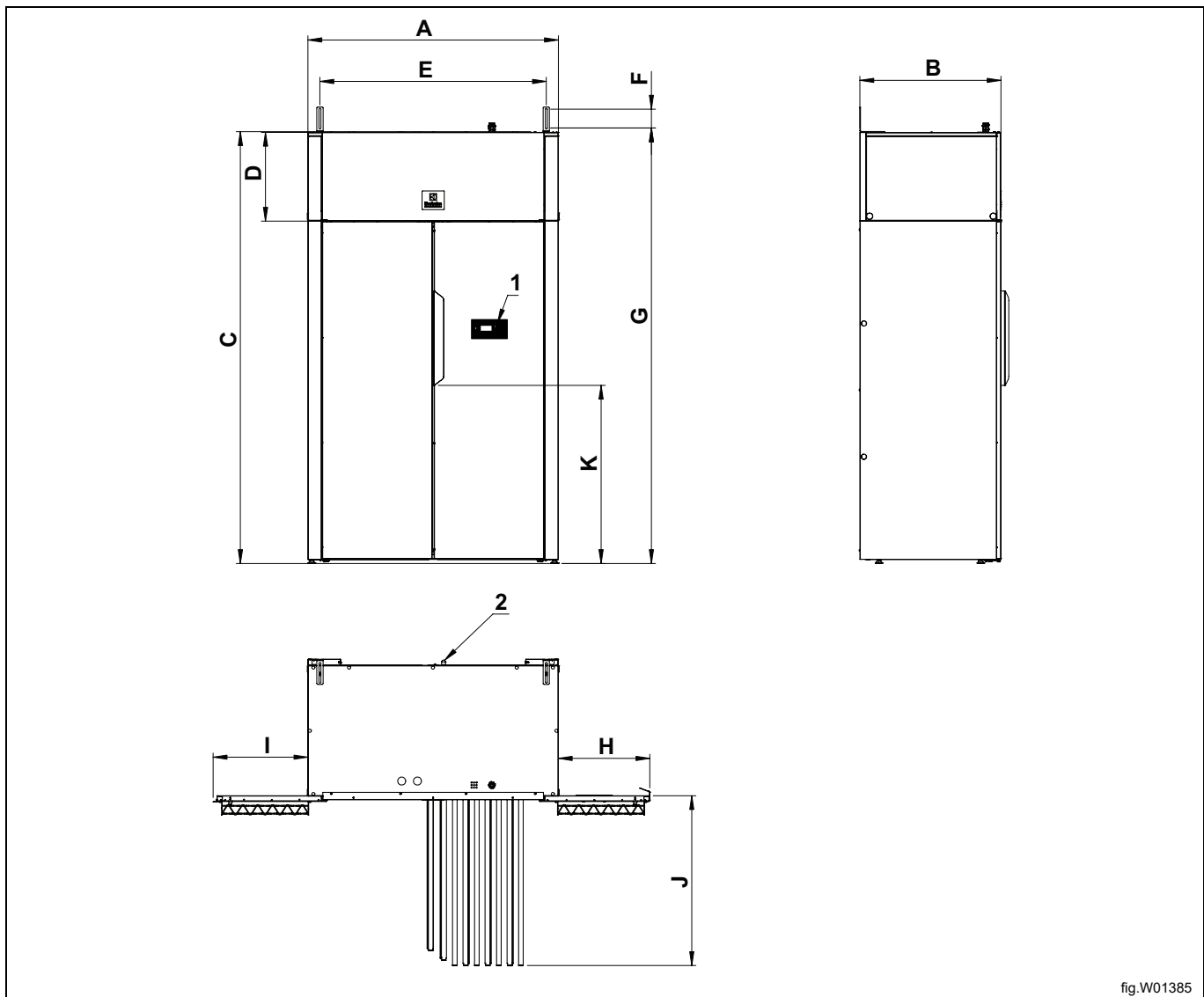


fig.W01385

	A	B	C	D	E	F	G	H	I	J	K
mm	1195	673	2061	424	1080	90	2079	436	452	809	850

1	Control panel
2	Condensation nipple \varnothing 18 mm. 3 m hose included.

2.2 Technical data

Capacity:	kg of laundry	6 - 8
Drainage capacity:	g/min*	70
Electrical connection:		400V 3N AC 50Hz
Traditional threaded fuse:	A	13A
Automatic fuse:	A	13A
Power:	kW	3.5
Hanging length:	meters	18
Weight:	kg	189
Sound pressure level:	A-weighted emission sound pressure level	<70 dB (A)
Average heat emission per drying cycle used to assess ventilation need**:	kW	2.0

* 6 kg dry weight cotton, 50% residual moisture. At room temperature 30°C, max. 3% residual humidity.

** For assistance with dimensioning necessary ventilation needs, contact authorized ventilation technician. For sufficient ventilation all sources introducing heat need to be taken into account plus all other parameters effecting the ventilation need. Climate zone, building parameters, room size, etc.

Connections

Connection, condensation	Plastic hose dim ø 18 mm. 3 m hose included.
--------------------------	--

Heat pump

Type of refrigerant		R134A
Amount of refrigerant	kg	1.0

Fluorinated greenhouse gases

This product contains fluorinated greenhouse gases.

GWP: 1430

CO₂ equivalent: 1.43 t

Leak test: 28 bar

Hermetically sealed.

Energy consumption and drying times

Drying of centrifuged laundry **)

Programs:		Normal drying
Energy consumption:	kWh / kg of laundry	0.33
Energy dried water:	kWh / liter	0.66
Drying time ***):	minutes	42

***) The values may vary depending on:

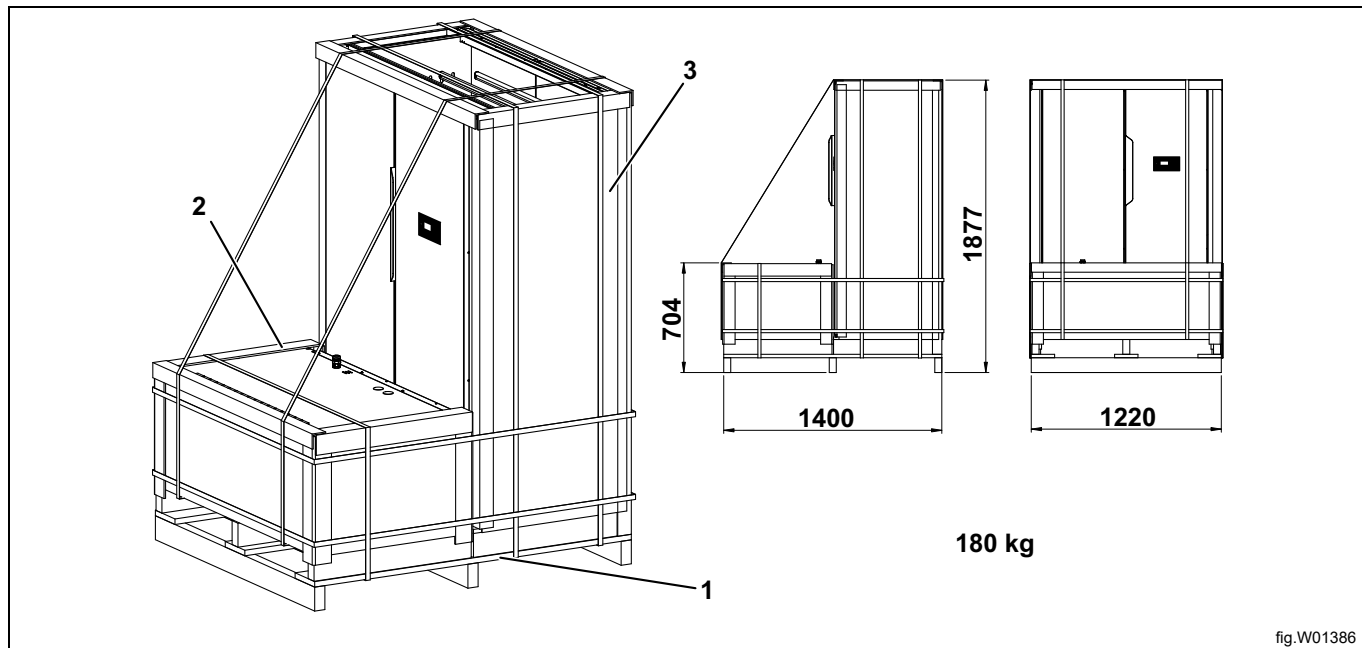
- speed during spin cycle
- temperature, humidity in the room
- air circulation in the room (supply air, exhaust air)
- settings in the parameter list regarding moisture sensor and time for the BUTTERFLY program

The values relate to a 6 kg load with 50% residual moisture.

***) The drying cabinet reconditions 5 minutes after the textiles have dried

3 Delivery

The cabinet is delivered as two units on the same pallet, one upper part that includes the dehumidifier unit and one fully-assembled cabinet frame.



1	Transport pallet
2	Packaging, upper part
3	Packaging, frame

4 Dehumidifier unit

4.1 Unpacking

Removal all packing materials. Do not use sharp objects, as this could damage the product. Unpacked, the dehumidifier unit weighs 82 kg.



Packaging materials such as plastic and styrofoam should be kept out of reach of children.

4.2 Installation kit

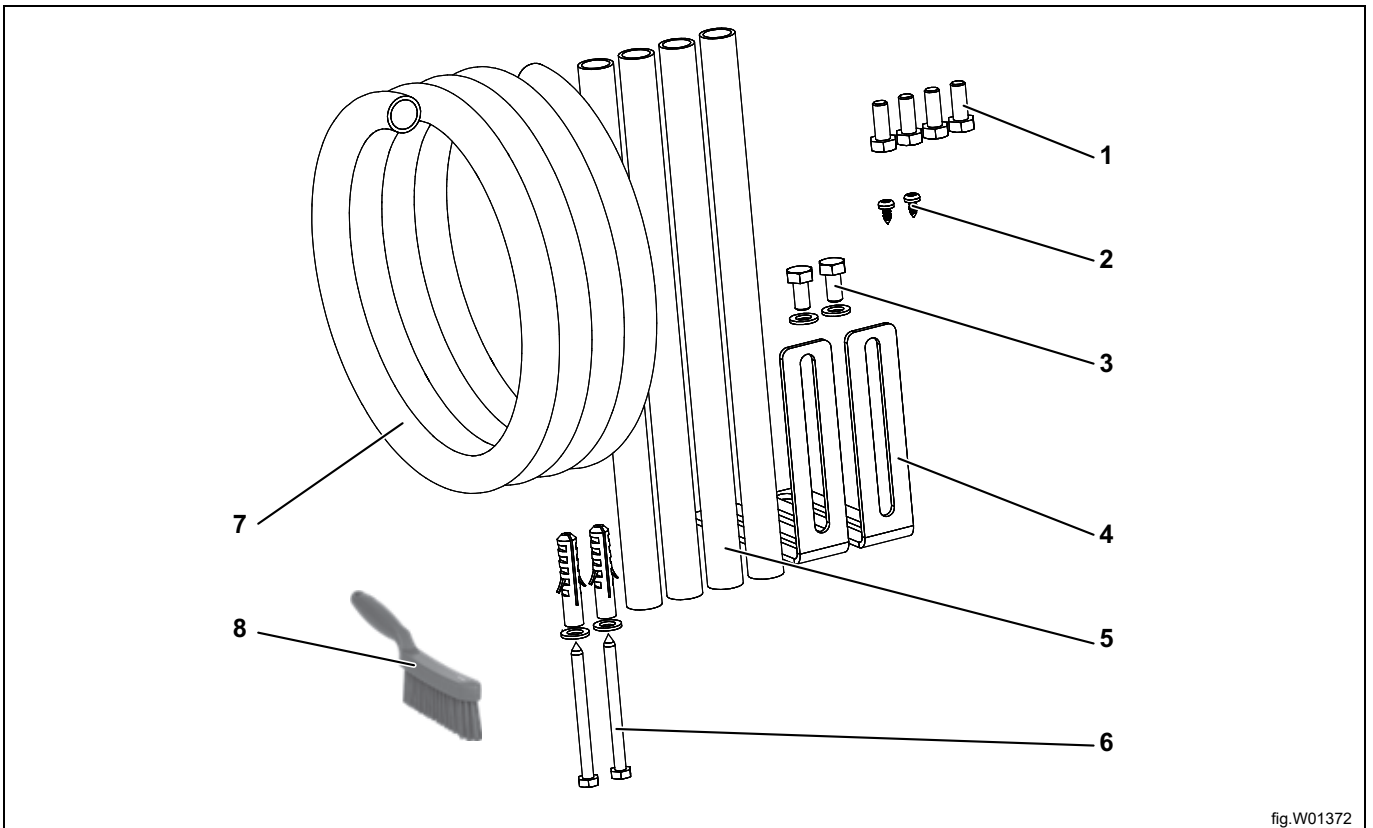


fig.W01372

1	Screw M8x20 (4). See page 10
2	Screw 4x9.5 SHEETracs (2). See page 10
3	Screw M8x16 (2). See page 12
4	Angle bracket (2). See page 12
5	Lifting tube (4). See page 10
6	Fastening screw for wall (2), washer (2), plastic plug (2). See page 12
7	Condensation hose in roll (1). See page 14
8	Brush (1)

4.3 Installation of upper part

Before lifting the upper part into place

- Unscrew the lamp lens and the lamp from the upper part to prevent these from being damaged during setup.
- Turn the hose nipple 90 degrees to protect this during setup as well.

Upper part as seen from behind

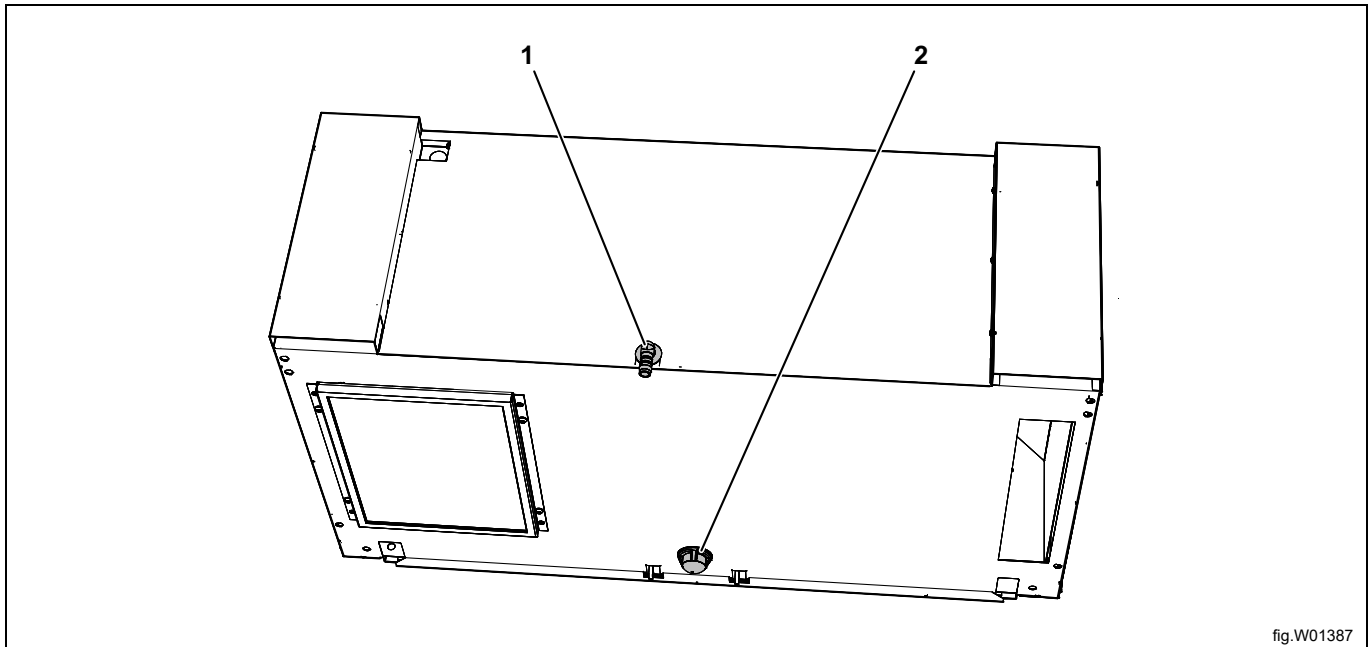


fig.W01387

1	Hose nipple
2	Lamp
3	Door cable

Lower part with door cable connected

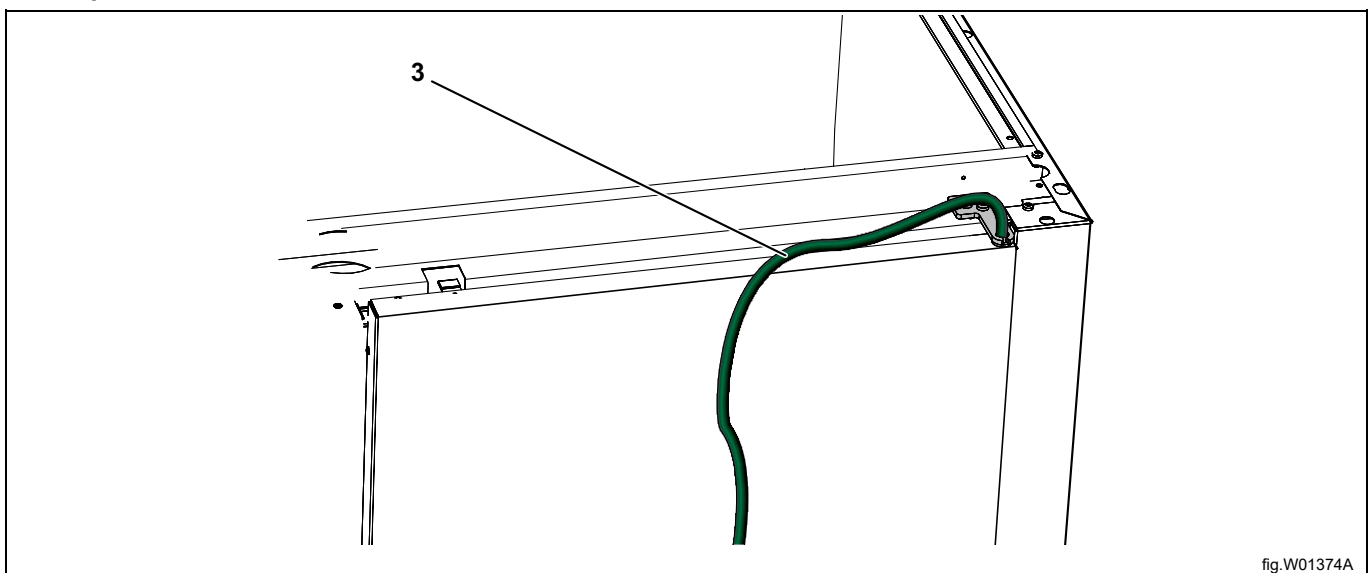


fig.W01374A

The fully assembled right door has an installed door cable (3) connected to the control panel in the door. Bend it away so it is not damaged when the upper part is placed on the lower part. The cable is connected to the terminal block as described in the "*Electrical connection*" section later in this manual.

The installation kit contains four air tubes that are used when installing the upper part.

- Remove the cover plugs (A) and insert the air tubes (B) at the ends. Twist the air tubes so they lock into place.
- Carefully lift the upper part onto the lower part and secure it with the four provided M8x20 screws and the two 4 x 9.5 SHEETtracs screws for the air duct as illustrated.
- Pull out the air tubes and refit the cover plugs.
- Reinstall the lamp and lamp lens.

After setup, store the air tubes at a suitable spot for future use.

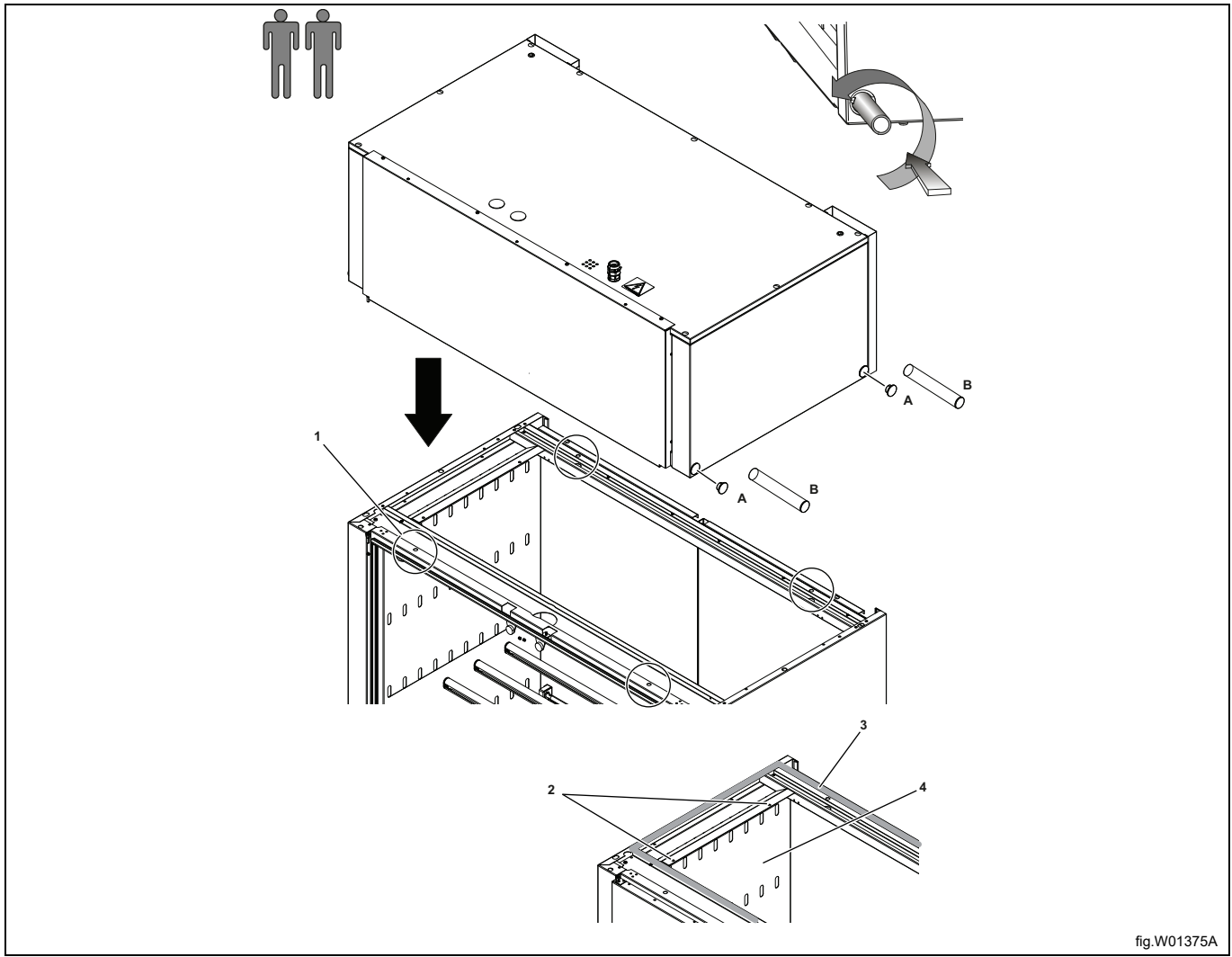


fig.W01375A

1	Fastening screw for upper part M8x20 (4)
2	Fastening screw 4x9,5 SHEETtracs for air duct (2)
3	Sealing strip
4	Air duct

5 Positioning/Attachment

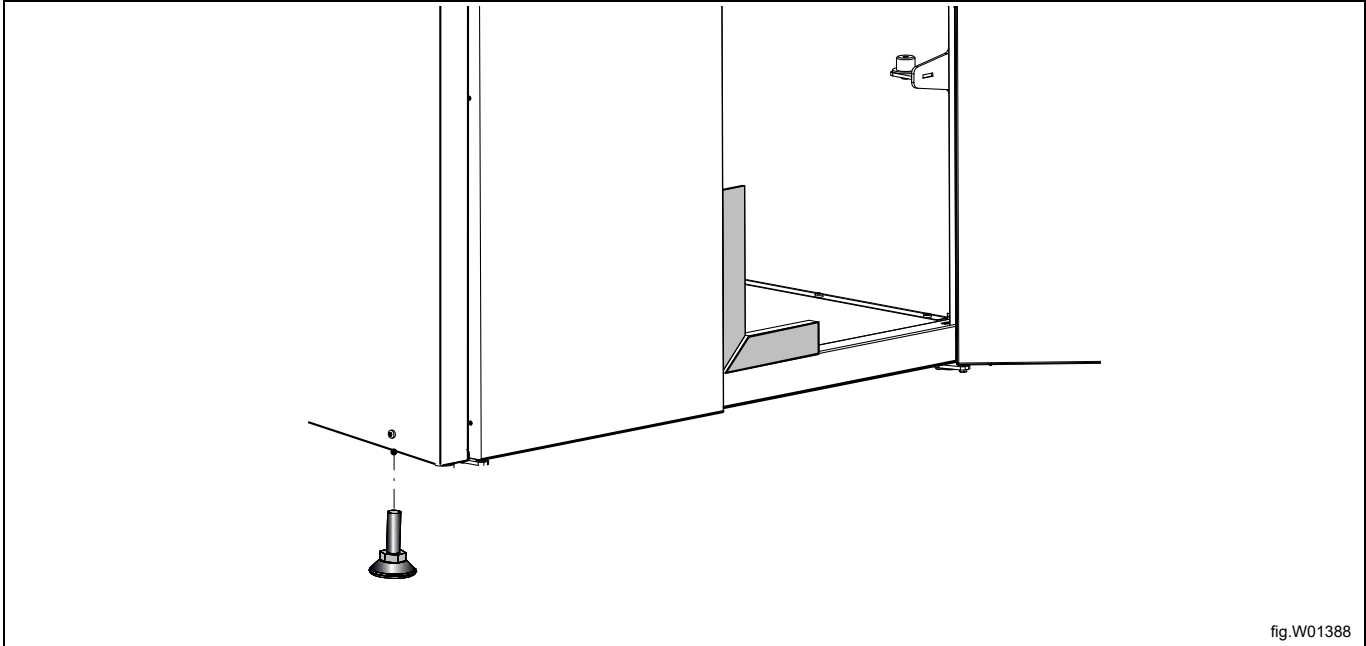
The drying cabinet is only intended for placement indoors in a dry place

The drying cabinet may not be placed in an environment where high-pressure water is used for cleaning

The drying cabinet must stand level on a flat surface, resting on all four feet.

Adjust the feet from the outside using a hex key. Check that the top edge of the doors match and are aligned.

The adjustable feet have hexagonal grips, size 17.



5.1 Ventilating the room

When the machine is in operation, the room temperature increases. Due to this, the room must have sufficient ventilation.

All sources introducing heat into the same room requires to be considered when dimensioning the ventilation. Heat sources could for example be: more tumble dryers, drying cabinets, washers, ironers, radiators, etc. The combination of several sources for heat introduction leads to an increased need for ventilation flow. Other factors may also influence the needed ventilation flow, such as climate zone, building parameters, room size, etc. For assistance with dimensioning necessary ventilation needs, contact authorized ventilation technician.

5.2 Attachment to the wall

The cabinet must be attached to the wall to prevent tipping.

The installation kit contains two angle brackets that are mounted on the upper part of the drying cabinet as illustrated. Use the provided screws. The brackets have grooves for adjustment to the wall.

Secure the cabinet to the wall. The installation kit contains a fastening screw and plastic plugs.

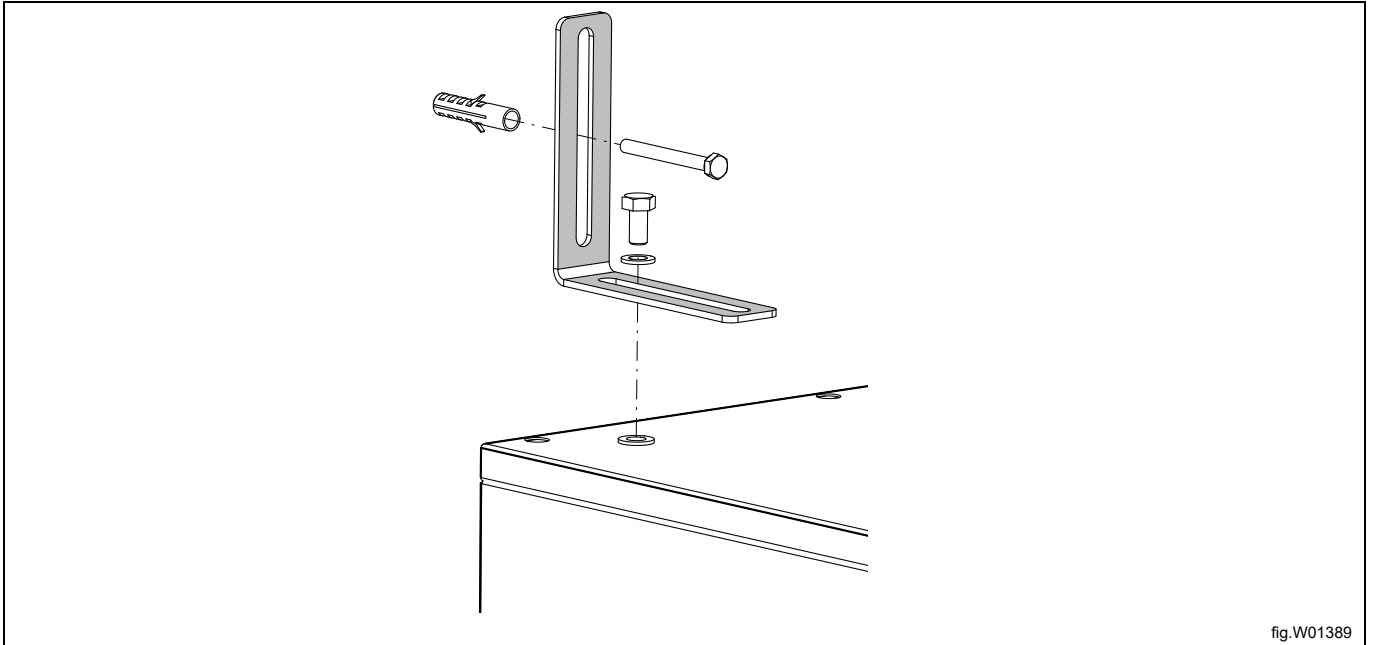


fig.W01389

6 Electrical connection



The electrical installation may only be performed by qualified personnel. Electrical connection of the appliance must be done in accordance with electrical safety regulations. We recommend that the mains cable be equipped with a ground fault interrupter. The manufacturer disclaims all liability if the electrical connection is not done in the manner prescribed in this manual.

Electrical connections

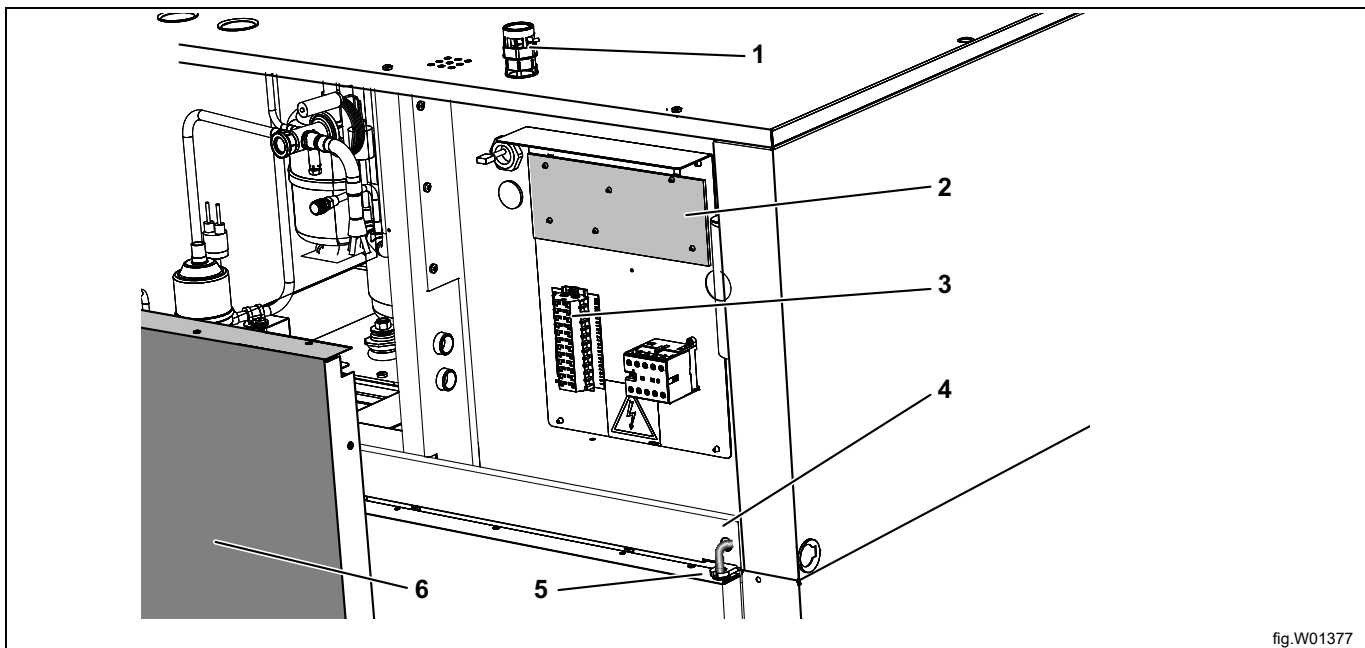
Heating alternative	Main voltage	Hz	Heating power kW	Total power kW	Recommended fuse A
Machines with heat pump	400V 3N~	50		3.5	13

1. Total power and recommended fuse does not depend on the heating power in those cases.

Connection to the mains must be via an all-pole switch.

Connection is only permitted to a mains with maximum impedance of 0.239 ohm.

- Remove the front plate. The front plate is secured with four screws at the top and four screws at the bottom.
- Install a 5-wire connecting cable to the terminal block on the PCB as indicated in the wiring diagram. Route the cable to and through the marked bushing in the roof plate.
- Thread the door cable through the hole (see figure) and connect as indicated in the wiring diagram.
- Reinstall the front plate.



1	Bushing in roof plate for feed cable
2	Circuit board
3	Terminal block
4	Thread the door cable through the hole
5	Door cable
6	Front plate

6.1 Network Functions

Note!

Can only be used on premium products.

This product can be connected to ELS VISION or to an external payment system.

6.2 Connecting to ELS Vision

Connect the network cables GND, RX, TX, 24V to the terminal block. Connect the neutral position switch to terminal block positions 1 and 2.

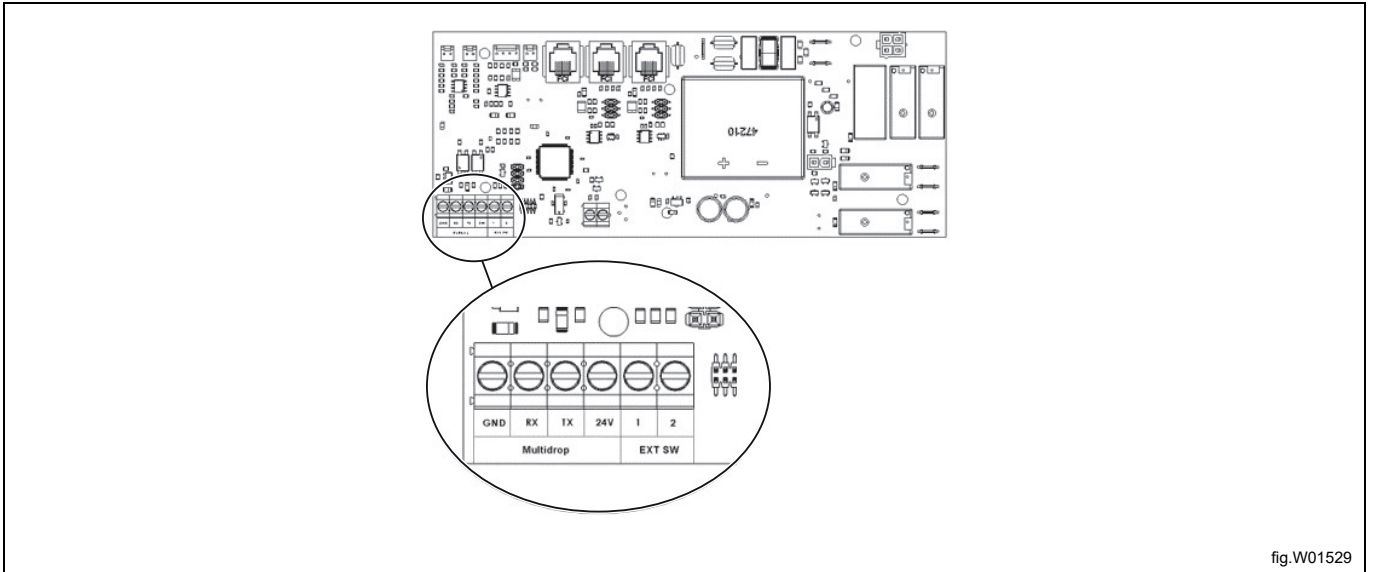


fig.W01529

Activate the connection to ELS Vision as follows:

- Activate the programming mode: Press STOP + SUN + BUTTERFLY. Press the Stop button first and then the program selection buttons simultaneously. The display lights up and shows "ACCESS 1000". To be able to move on, code 9191 must replace the code 1000.
- After the above, you will be at the first digit "1" in ACCESS 1000. Step to the digit "9" using the program selection buttons SUN (up) or BUTTERFLY (down). Then move to the next digit, in this case "0", using the STOP button. Increase this to "1" using the SUN button and then continue until "9191" is shown. Once you have set the last digit, press the STOP button and **access programming mode**.
- The first parameter and the factory-set value are then shown in the display. The row with the parameter flashes.
- Step forward or back with the SUN (increase) or BUTTERFLY (decrease) button to Parameter 117 is shown. Press STOP to confirm.
- Select the baud rate that matches the setting in ELS Vision:
 - 0: off, 1: 2400 bps, 2: 4800 bps, 3: 9600 bps. Use the Stop button to exit the parameter.
- Press STOP to save.
- Then access parameter 118 and set network address 1–127. Use the Stop button to exit the parameter.
- Press STOP to save.
- To exit programming mode, press STOP + BUTTERFLY (STOP button first).

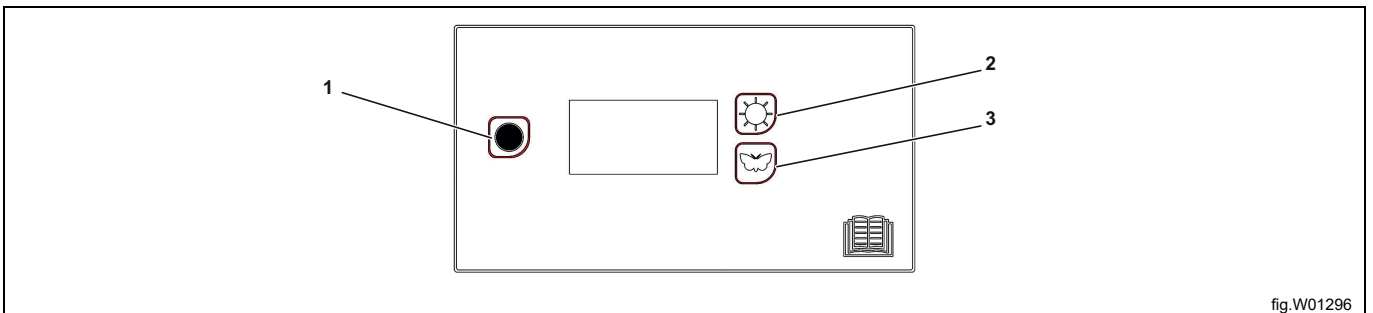


fig.W01296

1	Stop button
2	Sun button Extra drying
3	Butterfly button Normal drying

6.3 Connecting to an external payment system

Connect the cables from the external payment system to terminal block positions 1 and 2 "EXT SW".

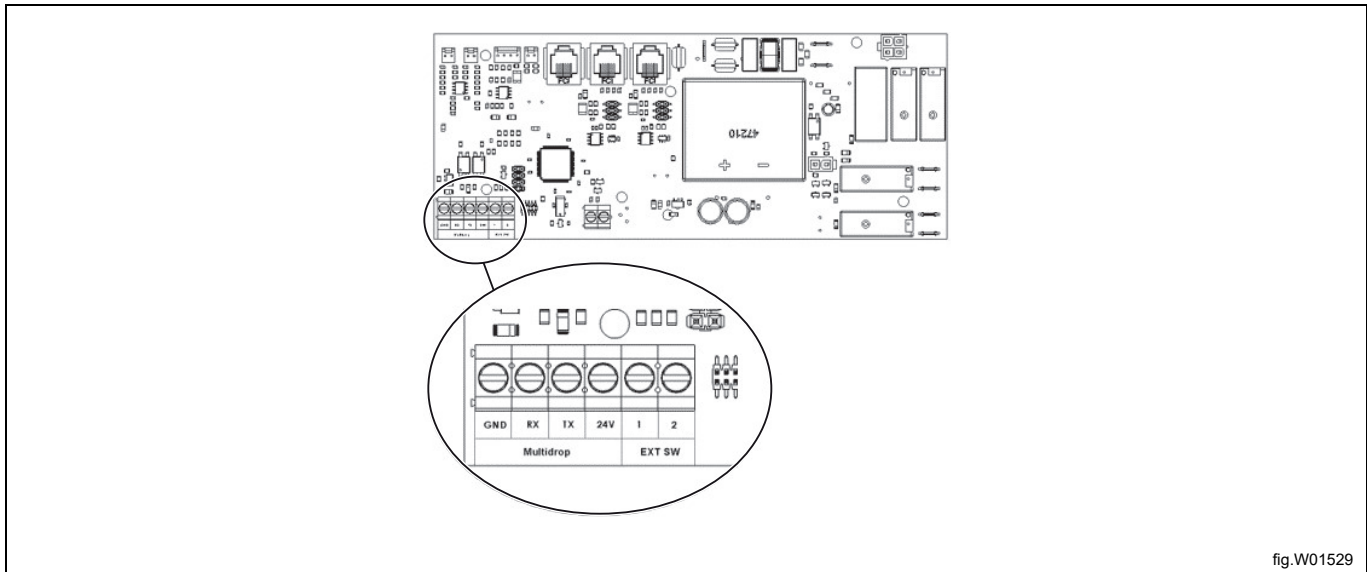


fig.W01529

Activate the connection to the external payment system as follows:

- Activate the programming mode: Press STOP + SUN + BUTTERFLY. Press the Stop button first and then the program selection buttons simultaneously. The display lights up and shows "ACCESS 1000". To be able to move on, code 9191 must replace the code 1000.
- After the above, you will be at the first digit "1" in ACCESS 1000. Step to the digit "9" using the program selection buttons SUN (up) or BUTTERFLY (down). Then move to the next digit, in this case "0", using the STOP button. Increase this to "1" using the SUN button and then continue until "9191" is shown. Once you have set the last digit, press the STOP button and **access programming mode**.
- The first parameter and the factory-set value are then shown in the display. The row with the parameter flashes.
- Step forward or back with the SUN (increase) or BUTTERFLY (decrease) button to Parameter 117 is shown. Press STOP to confirm.
- Set the parameter value to 1. This will activate the cabinet for network use. Use the Stop button to exit the parameter.
- Press STOP to save.
- To exit programming mode, press STOP + BUTTERFLY (STOP button first).

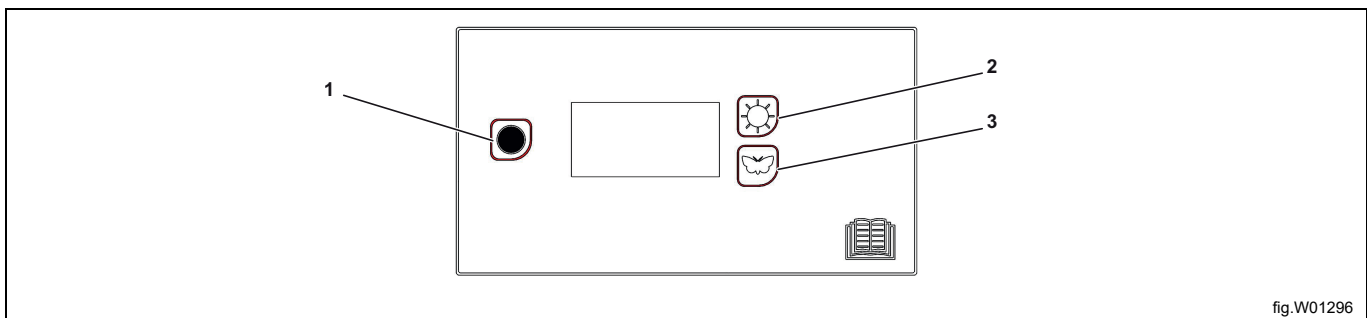


fig.W01296

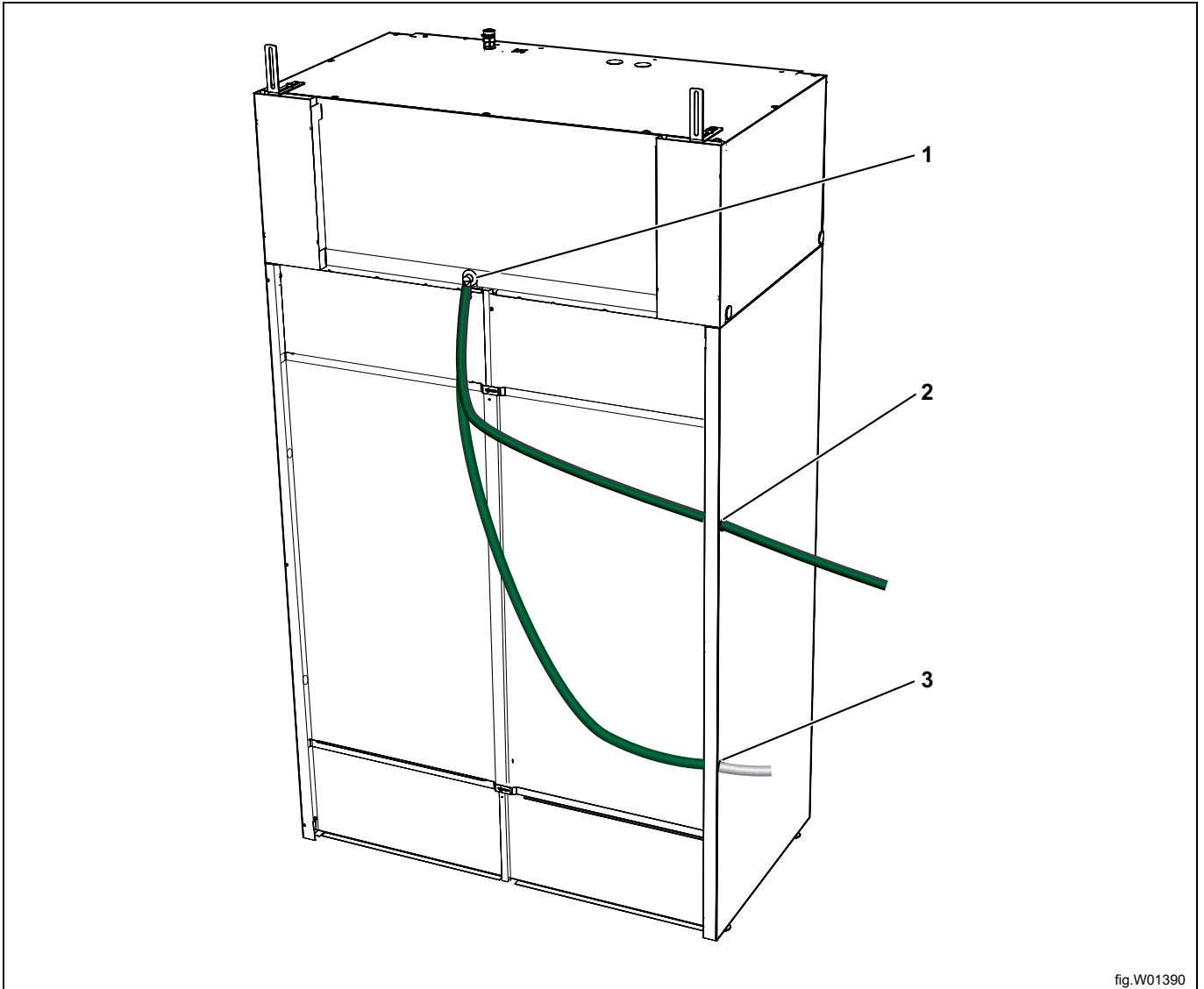
1	Stop button
2	Sun button Extra drying
3	Butterfly button Normal drying

6.4 Restore factory settings

To restore the electronics to factory settings:

Press the Stop button, and then press both program buttons. The display shows FACT DEFS.

7 Connection to floor drain



Cabinet as view from behind with condensation hose attached

1	Hose nipple
2	Hole for hose in both sides of the cabinet
3	Alternative hole for hose in both sides of the cabinet

The cabinet is delivered from the factory with a condensation drain connection on the rear of the cabinet. Thread the supplied condensation hose on the hose nipple and route it to the floor drain. Thread on the hose without hose clip. A 3 m hose is found in the installation kit.

In the rear edge of the cabinet's sides, there are 2 holes on each side. Choose a suitable hole for routing the hose so that it forms a smooth arch and there are no kinks.

8 Language setting

- Activate the programming mode: Press STOP + SUN + BUTTERFLY. Press the Stop button first and then the program selection buttons simultaneously. The display lights up and shows "ACCESS 1000". To be able to move on, code 9191 must replace the code 1000.
- After the above, you will be at the first digit "1" in ACCESS 1000. Step to the digit "9" using the program selection buttons SUN (up) or BUTTERFLY (down). Then move to the next digit, in this case "0", using the STOP button. Increase this to "1" using the SUN button and then continue until "9191" is shown. Once you have set the last digit, press the STOP button and **access programming mode**.
- The first parameter and the factory-set value are then shown in the display. The row with the parameter flashes.
- Step forward or back with the SUN (increase) or BUTTERFLY (decrease) button until "P 105" is shown.
- Once the display shows "P105", press STOP to confirm. The row below will now flash with the language symbol. Each language is assigned a number symbol as listed in the following table. The unit is factory-set to "1" (Swedish).
- Step to the required language with the SUN or BUTTERFLY button.
- Press STOP to save.
- To exit programming mode, press STOP + BUTTERFLY (STOP button first). The display will restart and the new language is set.

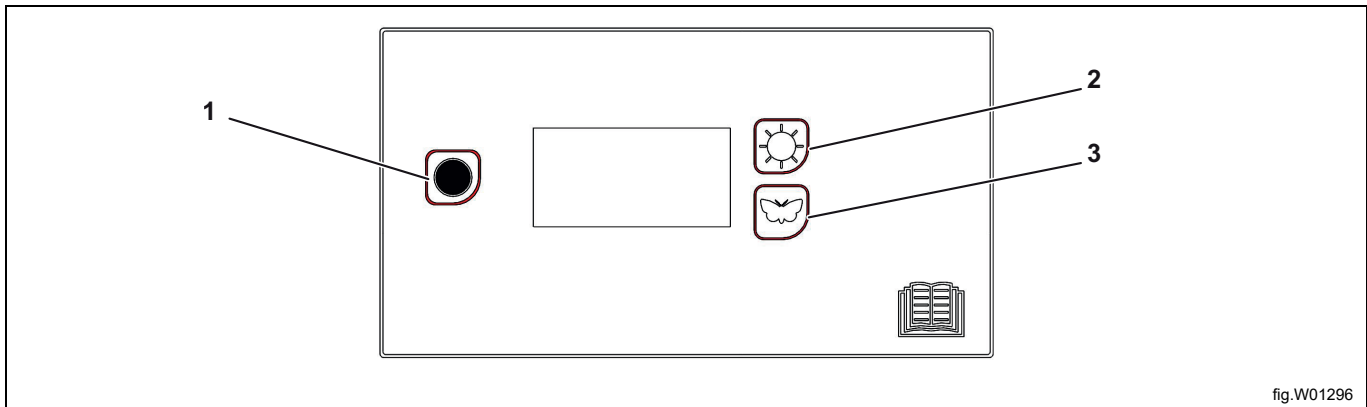


fig.W01296

1	Stop button
2	Sun button Extra drying
3	Butterfly button Normal drying

Language symbol	Display language
0	English
1	Swedish
2	Norwegian
3	Danish
4	Finnish
5	Russian
6	French
7	German

9 Function check



May only be performed by qualified personnel.



A function check must be performed when the installation is finished and before the appliance can be used. Whenever a repair has been made, a function check must be performed before the appliance can be used again.

- Select any program and check that the drying cabinet is heating and that there are no odd noises.

Ready for use

If all tests are OK the appliance is now ready for use.

If any of the tests fail, or deficiencies or faults are detected, please contact your local service organization or supplier. Use a mild dish soap with hot water to wipe the inside and outside of the drying cabinet. Wipe thoroughly.

10 Disposal information

10.1 Disposal of appliance at end of life

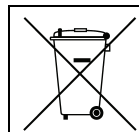
Before disposing of the machine, make sure to carefully check its physical condition, and in particular any parts of the structure that can give or break during scrapping.

The machine's parts must be disposed of in a differentiated way, according to their different characteristics (e.g. metals, oils, greases, plastic, rubber, etc.).

Different regulations are in force in the various countries, therefore comply with the provisions of the laws and competent bodies in the country where scrapping takes place.

In general, the appliance must be taken to a specialised collection/scrapping centre.

Dismantle the appliance, grouping the components according to their chemical characteristics, remembering that the compressor contains lubricant oil and refrigerant fluid which can be recycled, and that the refrigerator and heat pump components are special waste assimilable with urban waste.



The symbol on the product indicates that this product should not be treated as domestic waste, but must be correctly disposed of in order to prevent any negative consequences for the environment and human health. For further information on the recycling of this product, contact the local dealer or agent, the Customer Care service or the local body responsible for waste disposal.




Note!

When scrapping the machine, any marking, this manual and other documents concerning the appliance must be destroyed.

10.2 Disposal of packing

The packing must be disposed of in compliance with the current regulations in the country where the appliance is used. All the packing materials are environmentally friendly.

They can be safely kept, recycled or burned in an appropriate waste incineration plant. Recyclable plastic parts are marked as following examples.

	Polyethylene: <ul style="list-style-type: none"> • Outer wrapping • Instructions bag
	Polypropylene: <ul style="list-style-type: none"> • Straps
	Polystyrene foam: <ul style="list-style-type: none"> • Corner protectors



Electrolux Professional AB
341 80 Ljungby, Sweden
www.electroluxprofessional.com