

Installation manual

Drying Cabinet

DC6-8



Electrolux
PROFESSIONAL

Contents

Contents

1	Safety Precautions	5
1.1	General safety information.....	5
1.2	Symbols.....	5
2	Technical data	6
3	Installation kit.....	7
4	Recycling instruction for packaging.....	8
5	Installation	9
5.1	Placement.....	9
5.2	Mechanical installation	9
5.3	Narrow spaces	10
6	Evacuation system	12
6.1	Fresh air.....	12
7	Electrical connection.....	14
7.1	Connecting an external payment system	16
8	Function check.....	18
9	Disposal information	19
9.1	Disposal of appliance at end of life	19
9.2	Disposal of packing.....	19

The manufacturer reserves the right to make changes to design and component specifications.

1 Safety Precautions

WARNING. This appliance is intended only for drying textiles washed in water.

DO NOT MODIFY THIS APPLIANCE.

Servicing shall be carried out only by authorized personnel.

Only authorized spare parts shall be used.

When performing service or replacing parts, the power must be disconnected.

Stationary appliances not fitted with means for disconnection from the supply mains having a contact separation in all poles that provide full disconnection under overvoltage category III, means for disconnection must be incorporated in the fixed wiring in accordance with the wiring rules.

A-weighted emission sound pressure level at workstations: <70 dB

Additional requirements for the following countries: AT, BE, BG, HR, CY, CZ, DK, EE, FI, FR, DE, GR, HU, IS, IE, IT, LV, LT, LU, MT, NL, NO, PL, PT, RO, SK, SI, ES, SE, CH, TR, UK:

- This appliance can be used in public areas.
- This appliance can be used by children aged from 8 years and above and persons with reduced physical, sensory or mental capabilities or lack of experience and knowledge if they have been given supervision or instruction concerning use of the appliance in a safe way and understand the hazards involved. Children shall not play with the appliance. Cleaning and user maintenance shall not be made by children without supervision.

Additional requirements for other countries:





- This appliance is not intended for use by persons (including children) with reduced physical, sensory or mental capabilities, or lack of experience and knowledge, unless they have been given supervision or instruction concerning use of the appliance by a person responsible for their safety. Children should be supervised to ensure that they do not play with the appliance.

1.1 General safety information

Do not hose down the machine with water.

In order to prevent damage to the electronics (and other parts) that may occur as the result of condensation, the machine should be placed in room temperature for 24 hours before being used for the first time.

1.2 Symbols

	Caution
	Caution, hot surface
	Read the instructions before using the machine.
	Be careful. The drying cabinet is top heavy and can tip over easily.

2 Technical data

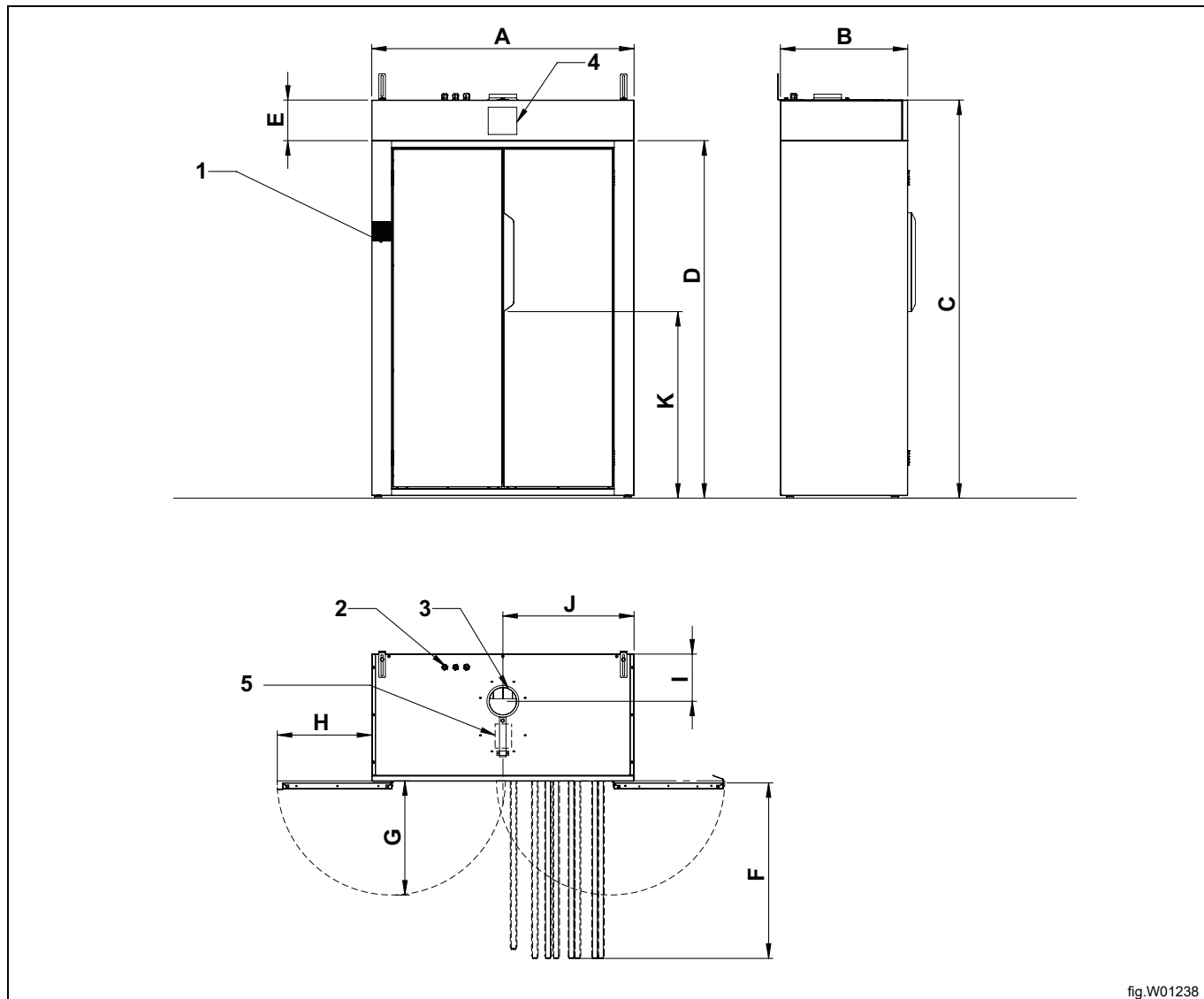


fig.W01238

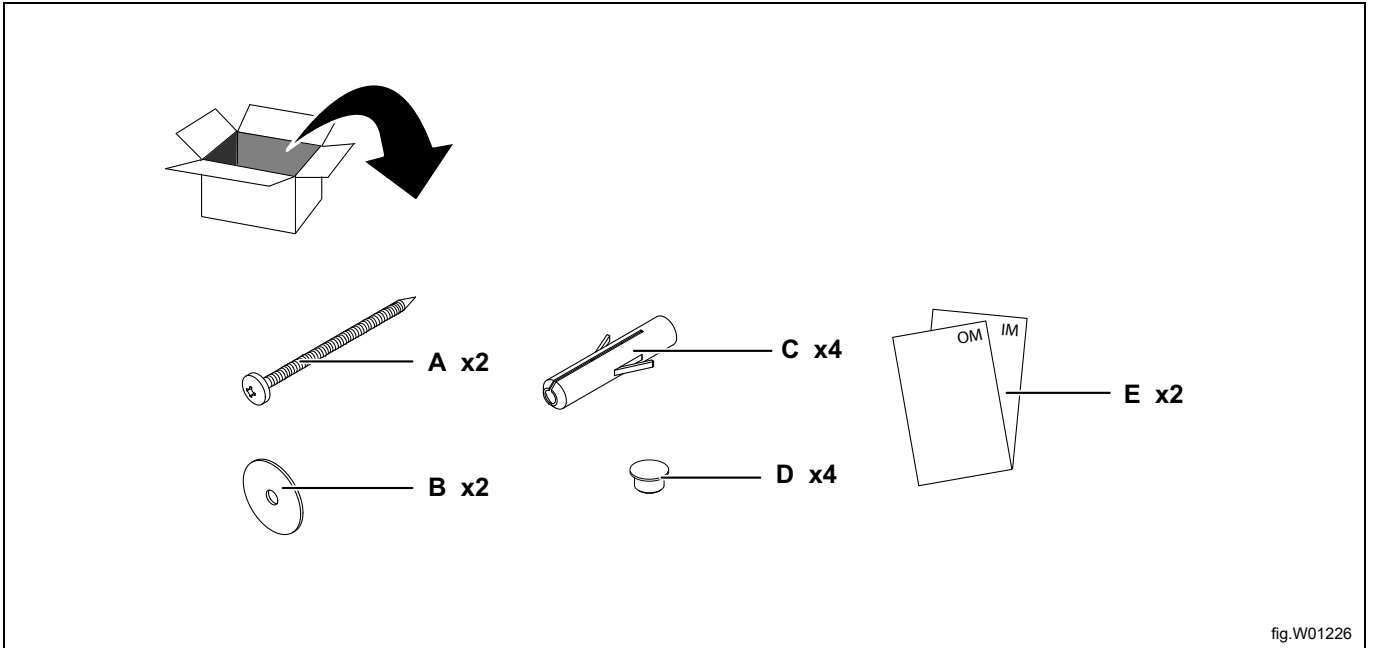
1	Control panel
2	Electrical connection
3	Air outlet
4	Elux decal
5	Air flow decal

	A	B	C	D	E	F	G	H	I	J	K
mm	1200	580	1820	1635	185	811	529	450	215	600	850

Exhaust air connection $\varnothing 125$ mm, maximum permitted pressure drop 70 Pa, which corresponds to a straight pipe with a length of approx. 23 m. $\varnothing 160$ mm corresponds to a straight length of approx. 70 m.

Net weight: 134 kg.

3 Installation kit



A	Screw T6S 6x75
B	Washer 8.4x17x1.6
C	Wall plug
D	Cover plug 15-12
E	User Manual / Installation Manual

4 Recycling instruction for packaging

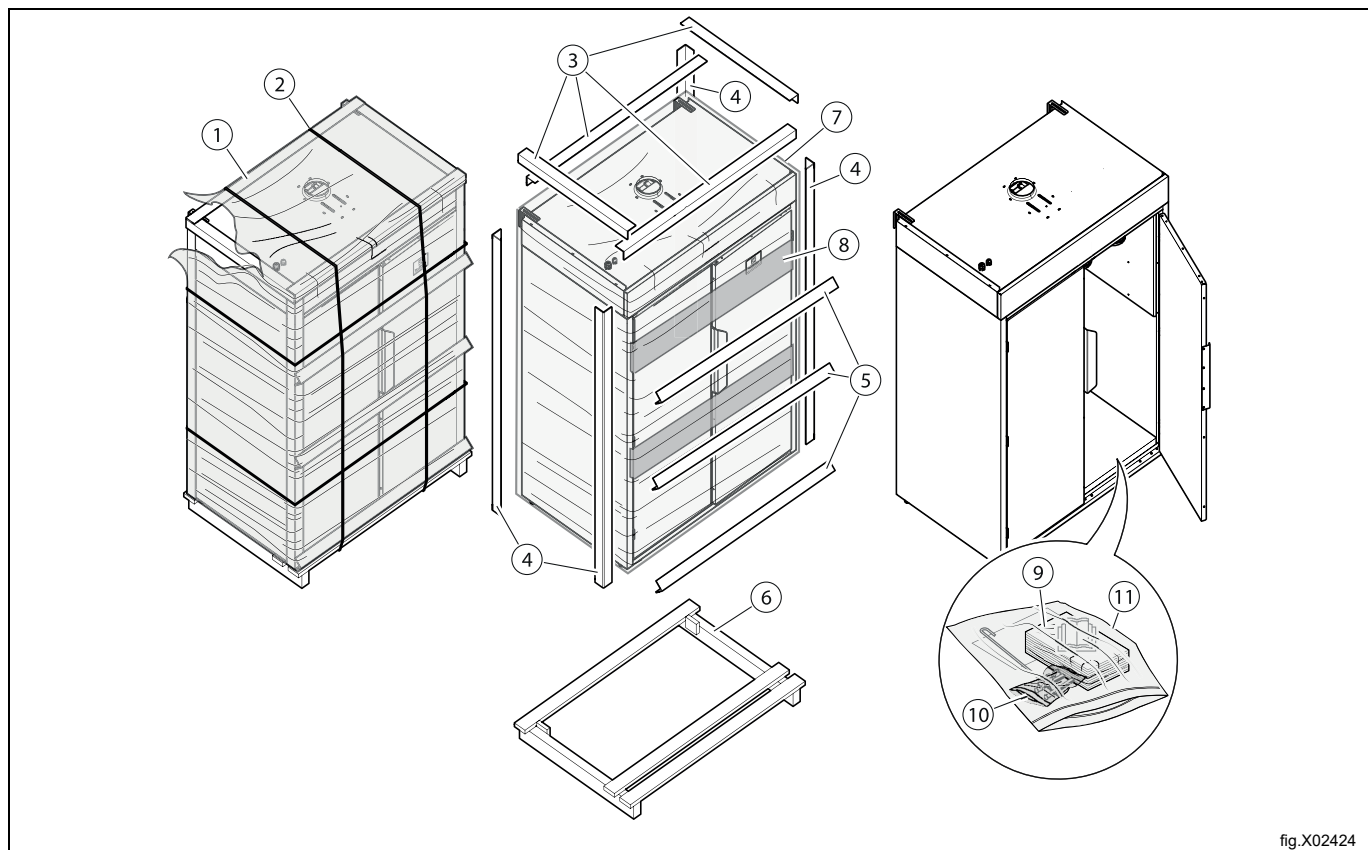


fig.X02424

Fig.	Description	Code	Type
1	Wrapping film	LDPE 4	Plastics
2	Plastic band	PET 1	Plastics
3	Cardboard protection bars top	PAP 20	Paper
4	Cardboard protection bars corners	PAP 20	Paper
5	Cardboard protection bars	PAP 20	Paper
6	Undercarriage protection	FOR 50	Wood
7	Plastic cover	LDPE 4	Plastics
8	Green tape	LDPE 4	Plastics
9	Wrapping film	LDPE 4	Plastics
10	Plastic bag	LDPE 4	Plastics
11	Plastic bag	LDPE 4	Plastics

5 Installation

Place the drying cabinet on its final position.

The straps around the adjustable feet can be used to raise the drying cabinet.

Level the drying cabinet with the adjustable feet. Make sure that the top edges of the doors are level with each other.

5.1 Placement

The drying cabinet should be positioned so that there is plenty of room for working, both for the user and service personnel.

5.2 Mechanical installation



The drying cabinet must be secured to the wall to prevent it from tipping over.



The wall brackets are secured at the top of the drying cabinet upon delivery. Remove the wall brackets, turn them over, and mount as shown. (Screws and plastic plugs are included upon delivery.)

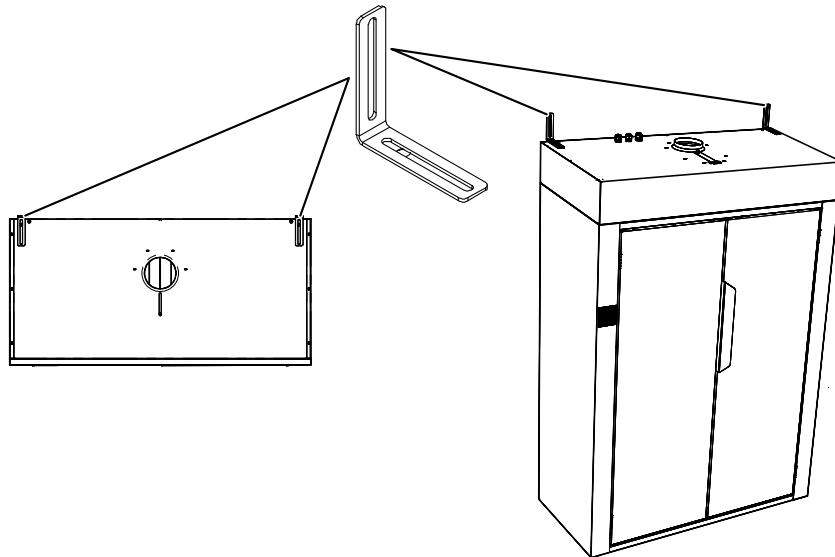
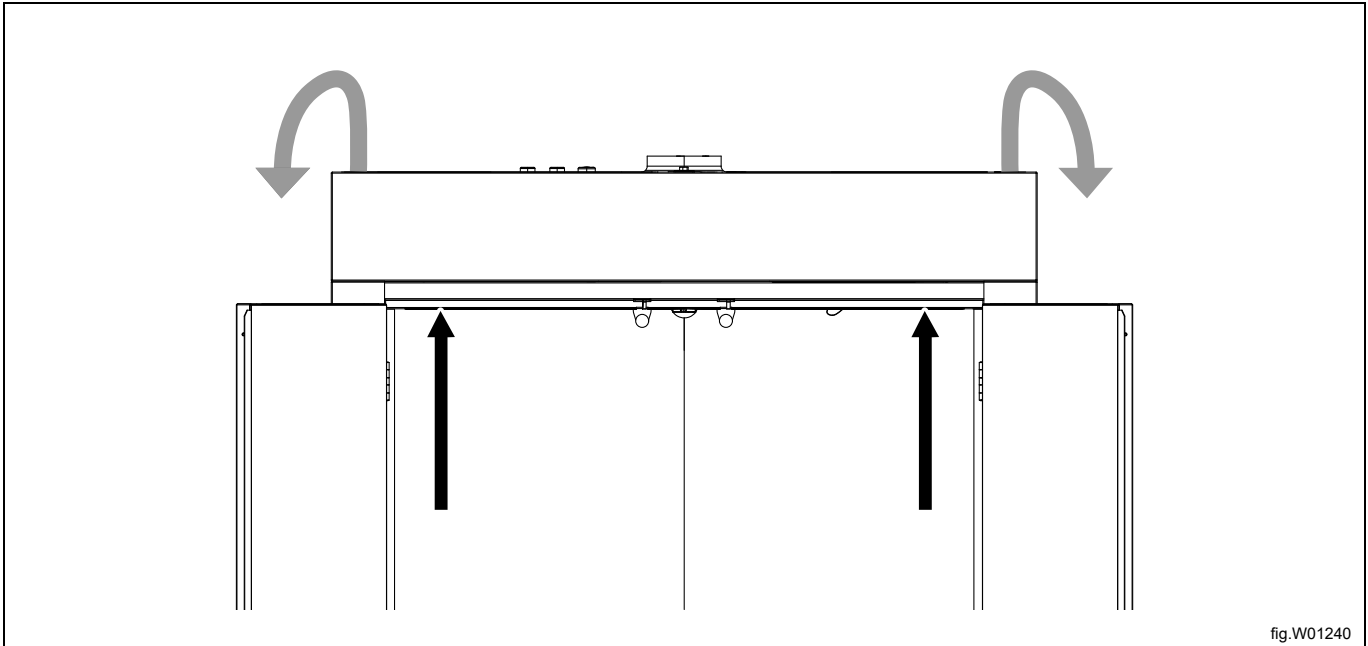


fig.W01239

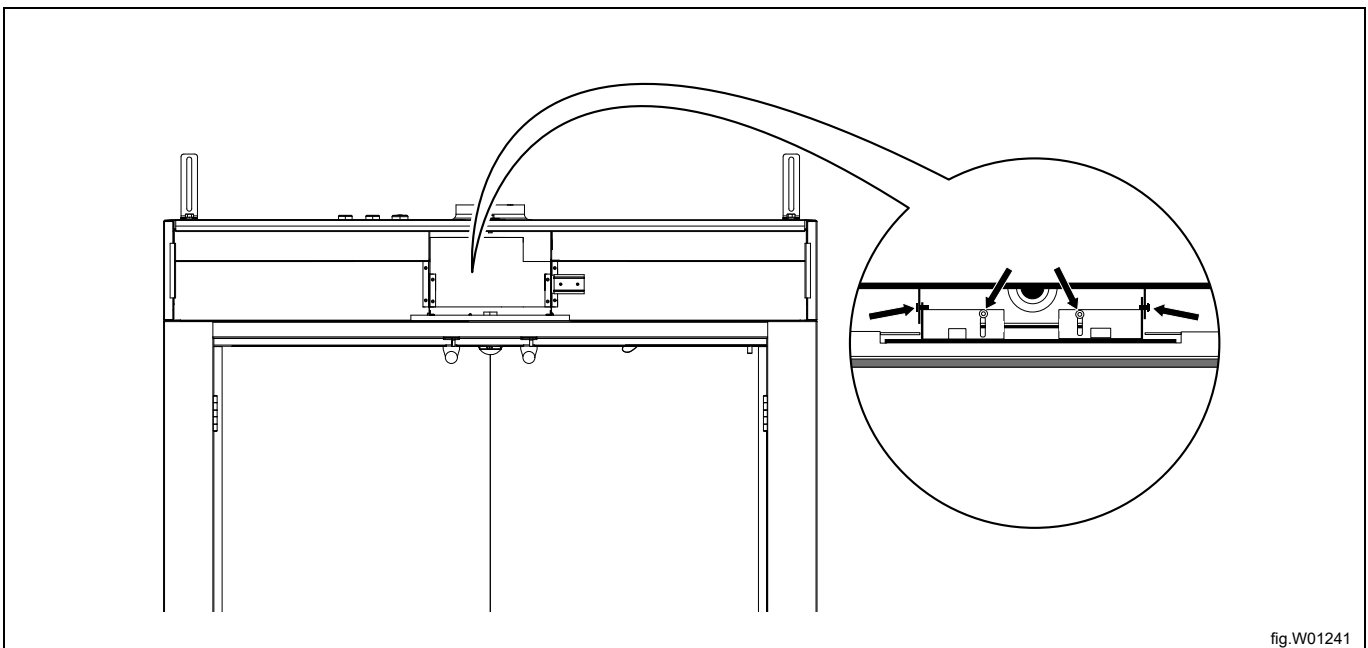
5.3 Narrow spaces

The upper part of the drying cabinet can be removed. Removing the upper part reduces the height by 185 mm.

- Loosen the two screws (Torx T20) on the underside of the front panel, square holes in the frame. Slide the front panel upwards until it detaches from the guide flanges. Then remove it.



- Remove the four screws (T20) securing the door switch bracket and then slide it back towards the inner bearing.



- Remove the four screws (T30) from the front and rear rail sitting in the ceiling of the drying cabinet.

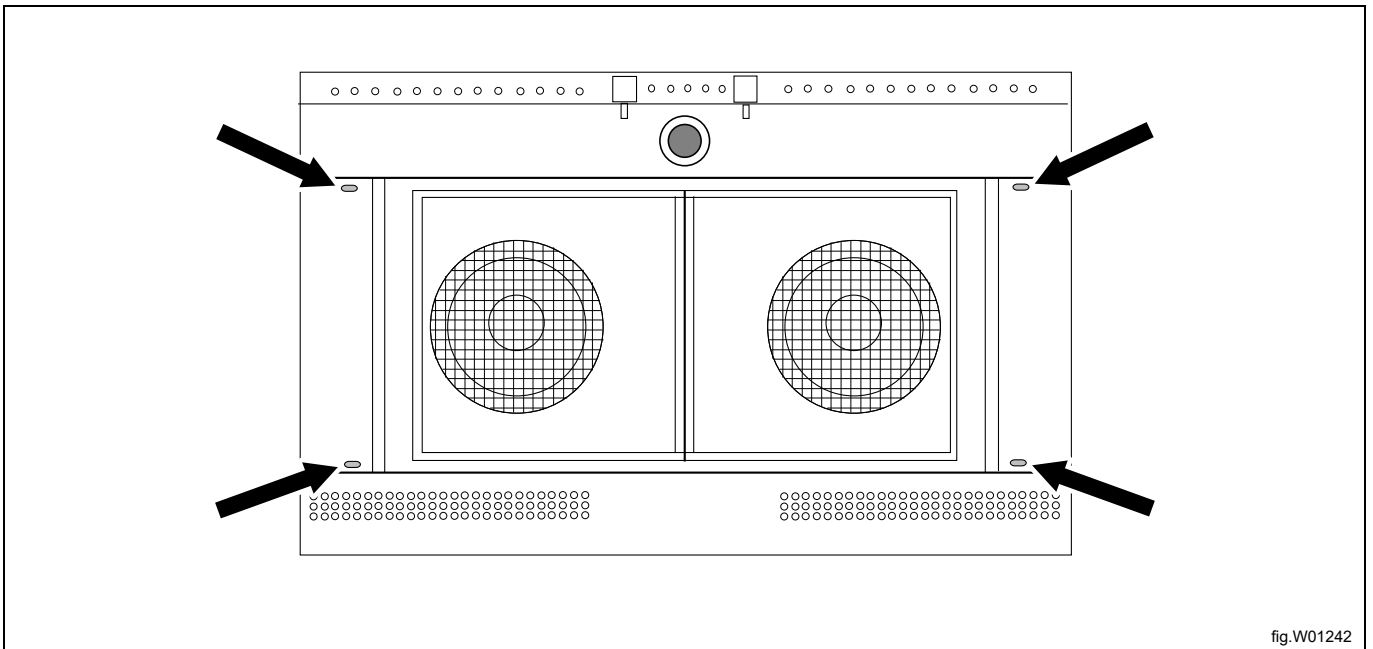


fig.W01242

The upper part of the drying cabinet can now be removed.

6 Evacuation system

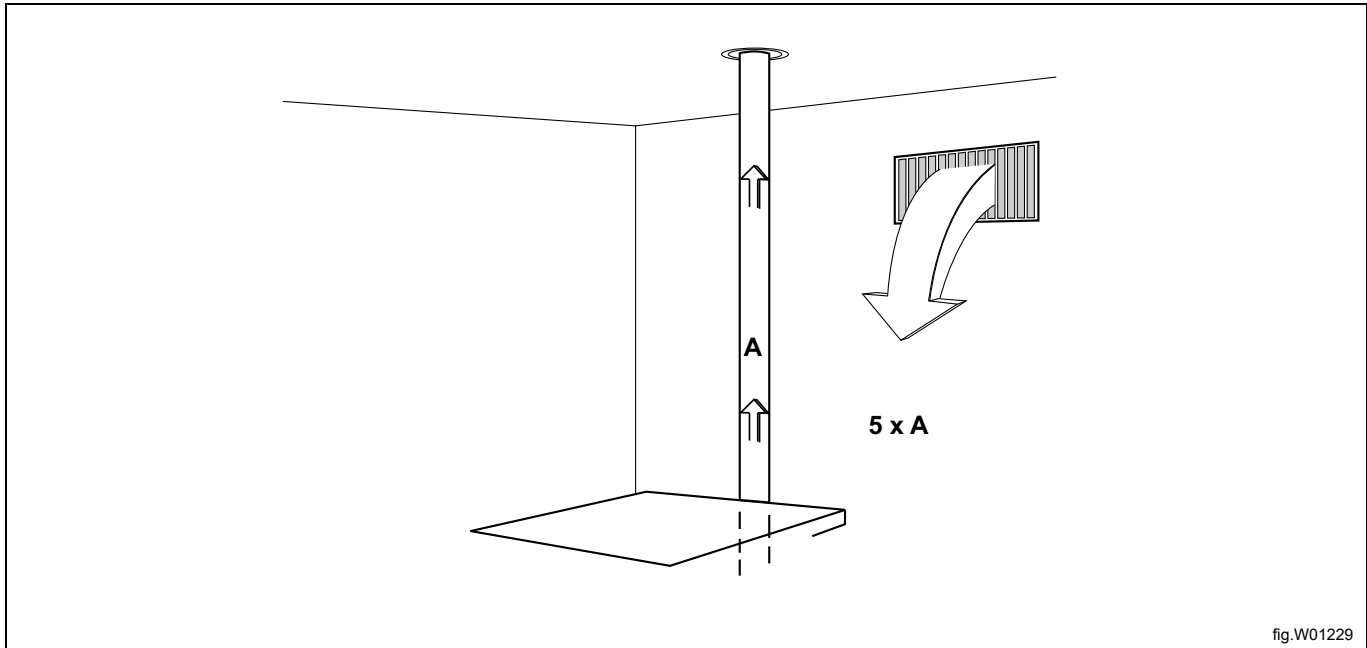
6.1 Fresh air

The drying cabinet must be connected directly to the ventilation duct (not via any intermediate pipes or hoses).

The drying cabinet has an exhaust air flow of up to 250 cubic meters per hour. This air is initially taken from the room where the drying cabinet is situated.

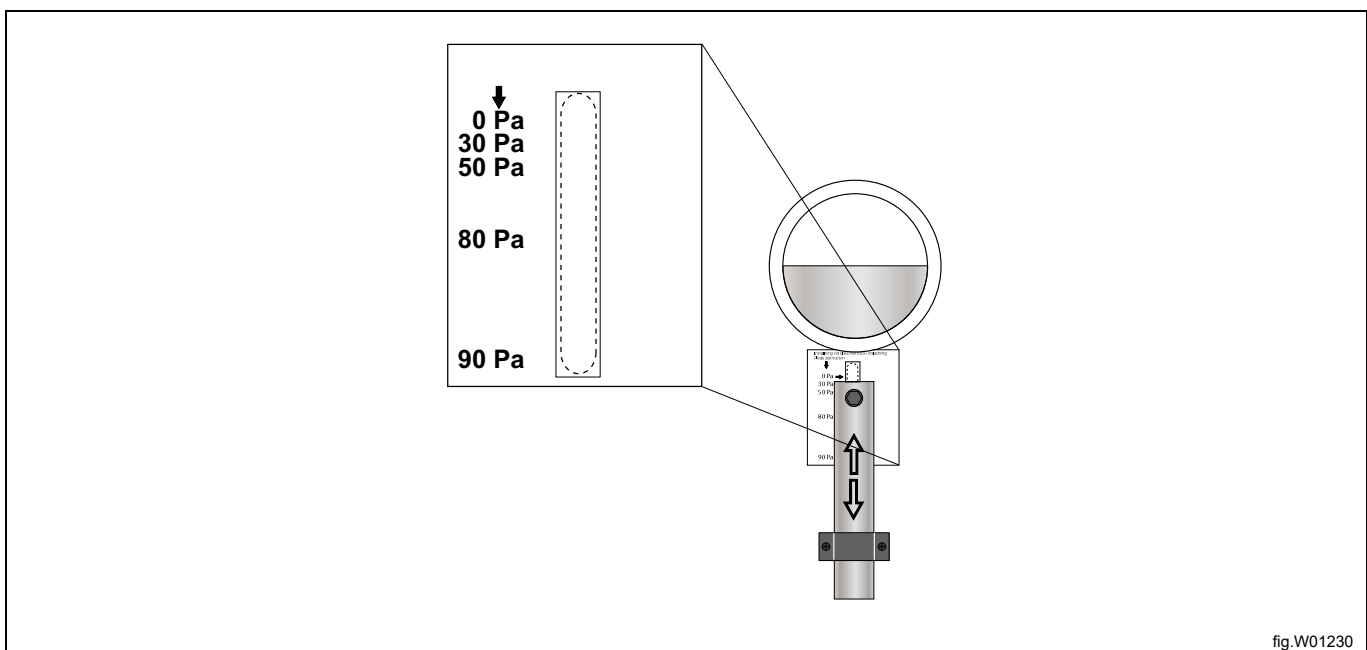
It is therefore important to ensure that fresh air can enter the room from the outside to replace the humid air that is vented out.

The area of the air intake must be five times larger than the area of the evacuation pipe. The resistance in the grid/damper must not exceed 10 Pa (0.1 mbar).



The drying cabinet works most efficiently if the air flow is optimal.

The top of the drying cabinet houses a damper that can be adjusted to a value equal to the pressure drop in the duct. The maximum permitted pressure drop is 70 Pa. If the pressure drop is greater than this, an external fan must be installed. The drying cabinet has an electrical connection for an external fan.



If multiple drying cabinets or dryers are connected to the same air duct, a non-return valve must be installed on each appliance to prevent cold air from entering or the air pressure of one appliance affecting the other.

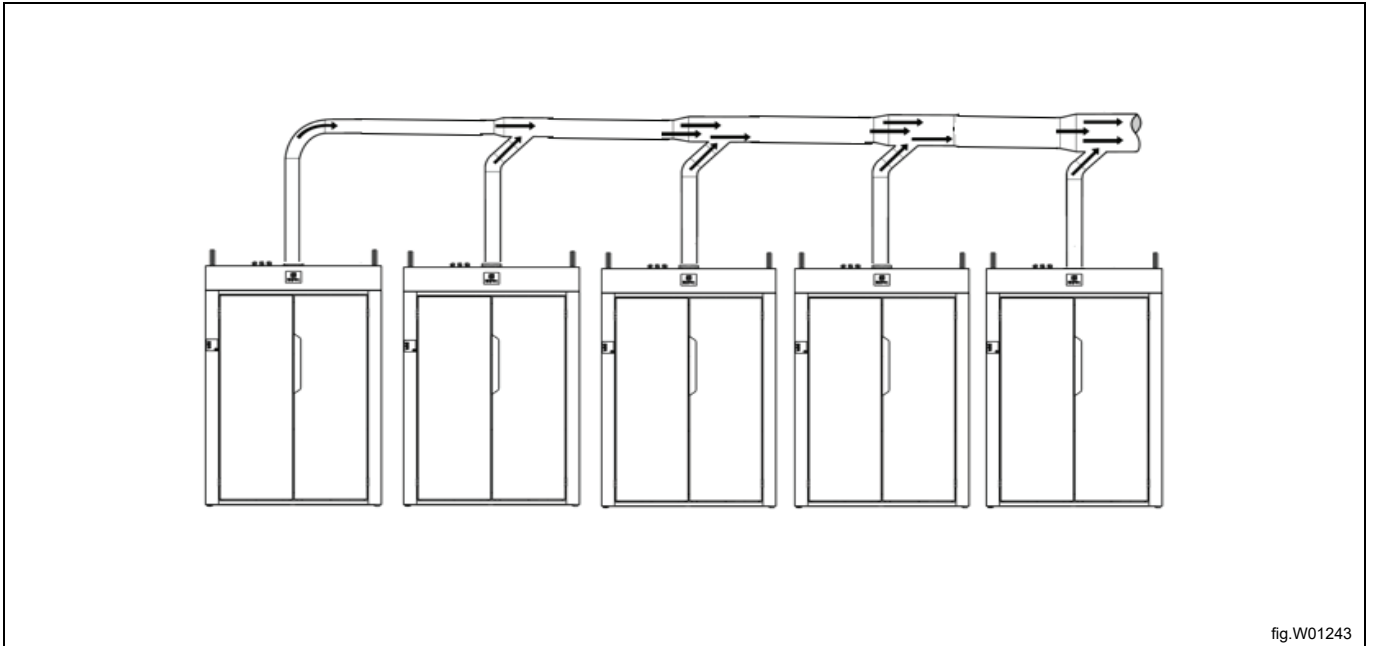


fig.W01243

Number of cabinets		1	2	3	4	5	6	7	8	9	10
Evacuation pipe	dia. [mm]	125	160	200	315	315	315	315	315	400	400
Recommended area for fresh air intake	[m ²]	0.061	0.101	0.157	0.390	0.390	0.390	0.390	0.390	0.628	0.628
Minimum area for fresh air intake	[m ²]	0.035	0.069	0.104	0.139	0.174	0.208	0.243	0.278	0.313	0.347

7 Electrical connection

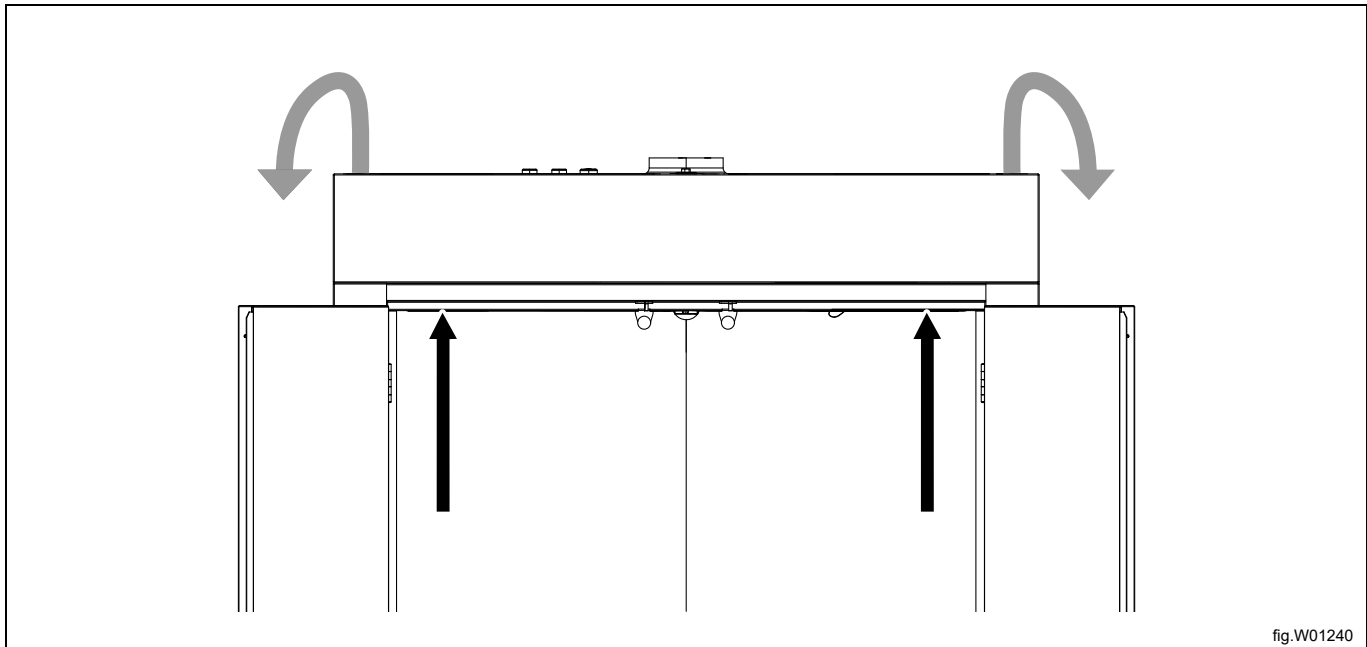


The electrical installation may only be performed by qualified personnel.

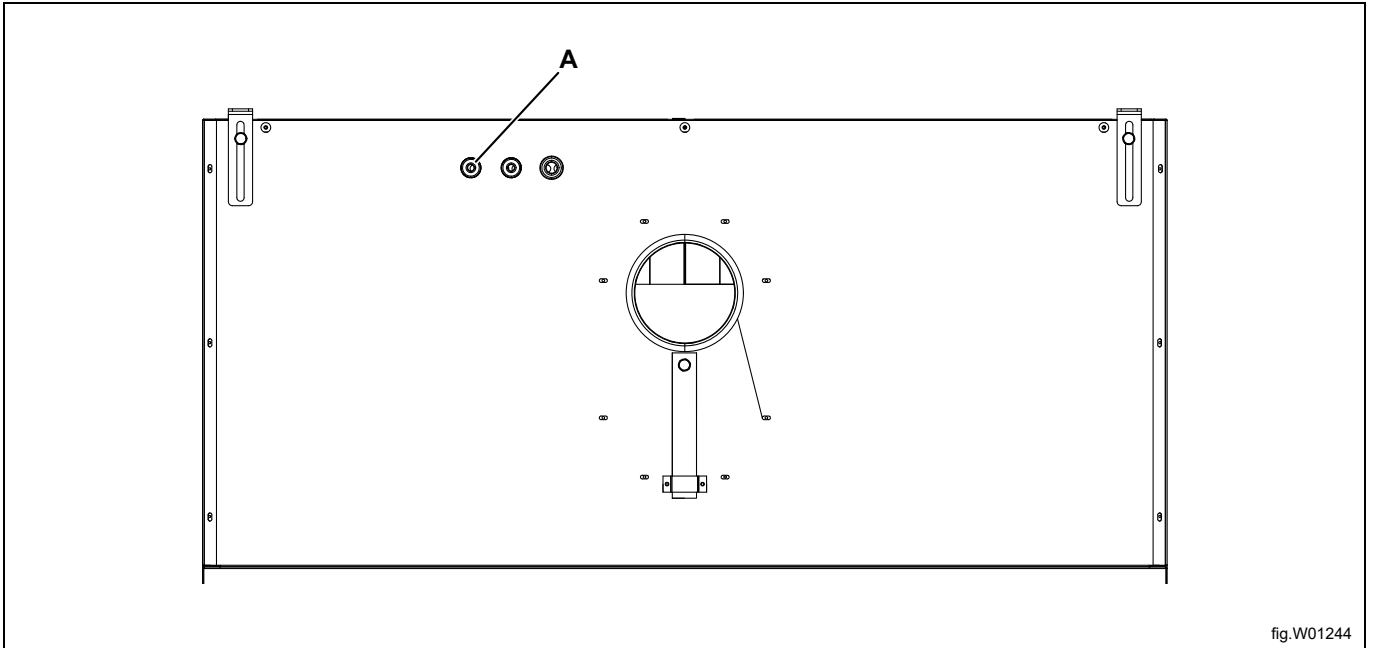
The drying cabinet must be connected to an all-pole circuit breaker.

Electrical connections					
Heating alternative	Main voltage	Hz	Heating power kW	Total power kW	Recommended fuse A
Electric heated machines	230V 1N~	50	6.0	6.2	30
	400V 3N~	50	6.0	6.2	10

Loosen the two screws (Torx T20) on the underside of the front panel, square hole in the frame. Slide the front panel upwards until it detaches from the guide flanges. Then remove it.



Insert the cable in the hole (A) on the top of the drying cabinet.



Connect the ground cable and the other cables as illustrated.

<p>230V 1N ~</p>	<div style="text-align: center;"> <p>Pos. 17</p> <p>Pos. 5</p> <p>Ext. Fan 230V 50Hz</p> </div>
<p>400V 3N ~</p>	<div style="text-align: center;"> <p>Pos.5</p> <p>Ext. Fan 230V 50Hz</p> </div>

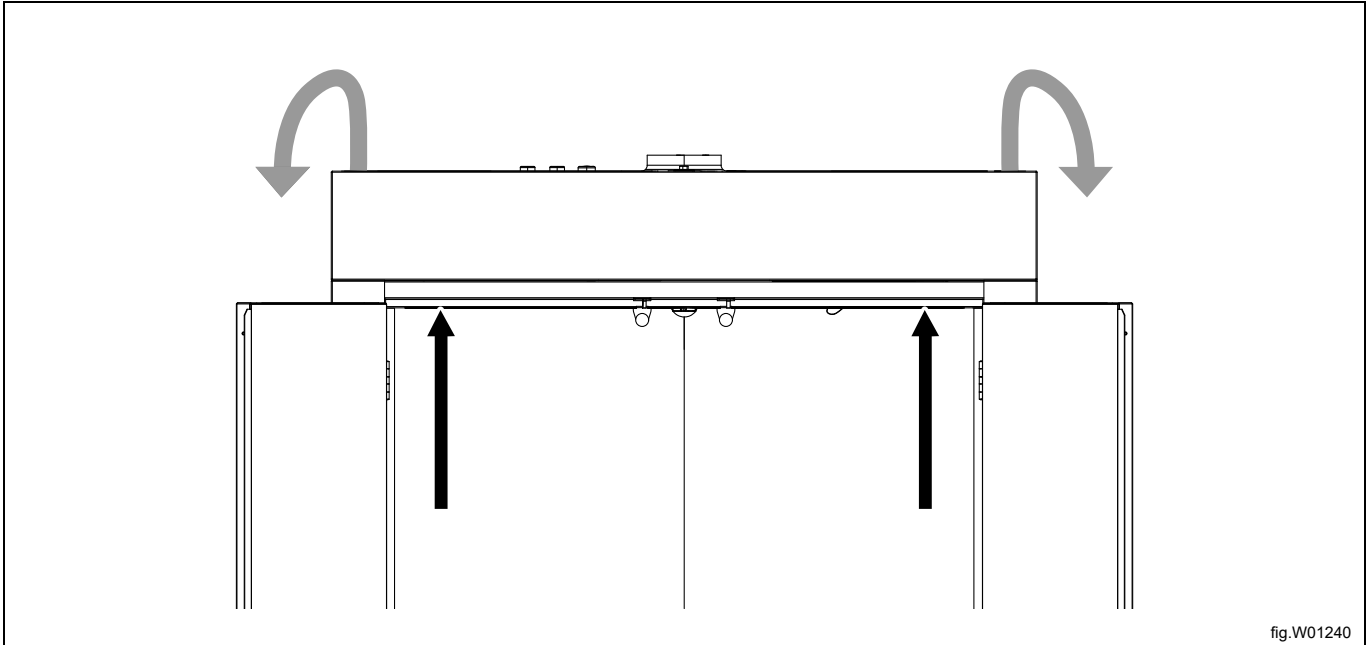
Reinstall the front panel when you are done.

7.1 Connecting an external payment system

Note!

Can only be used on premium products.

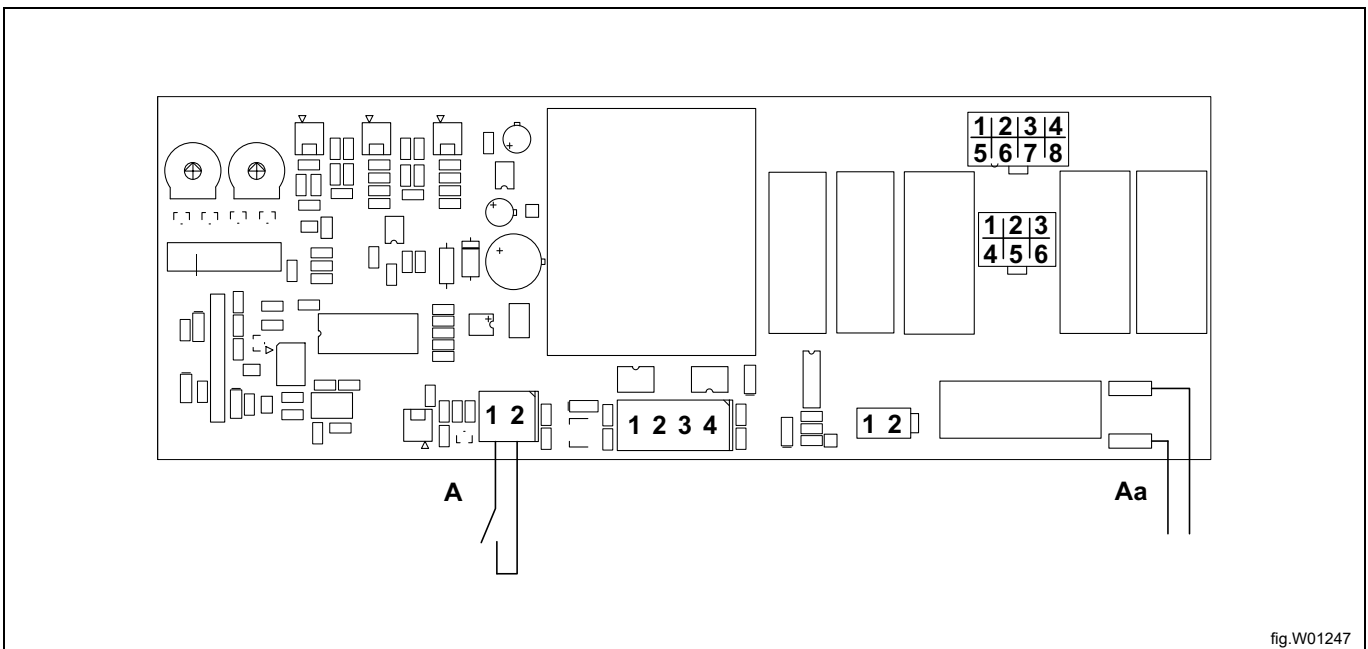
Loosen the two screws (Torx T20) on the underside of the front panel, square hole in the frame. Slide the front panel upwards until it detaches from the guide flanges. Then remove it.



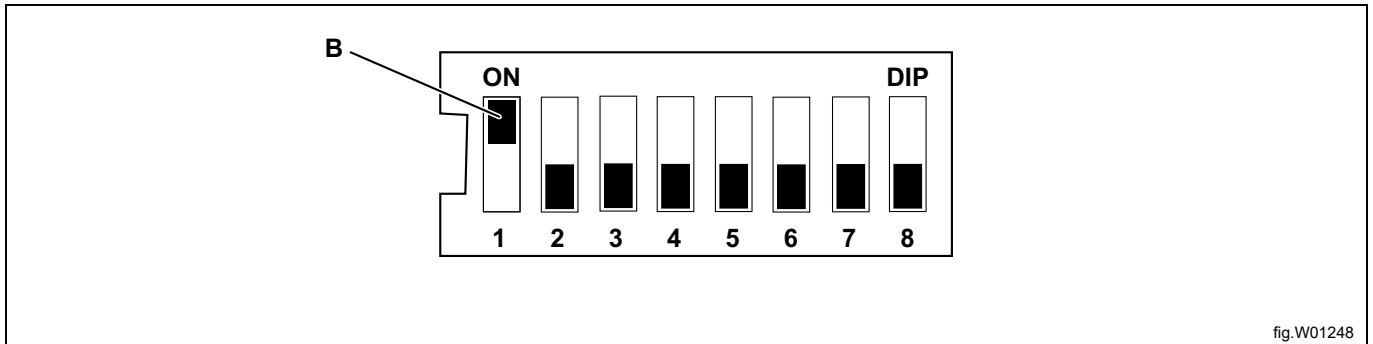
Connect the cables of the external payment system to the connections (A). If run information is needed, it is found on the two pin contacts on the right (Aa).

A: requires potential-free switch. In other words, the signal comes from the card and must not receive any more voltage.

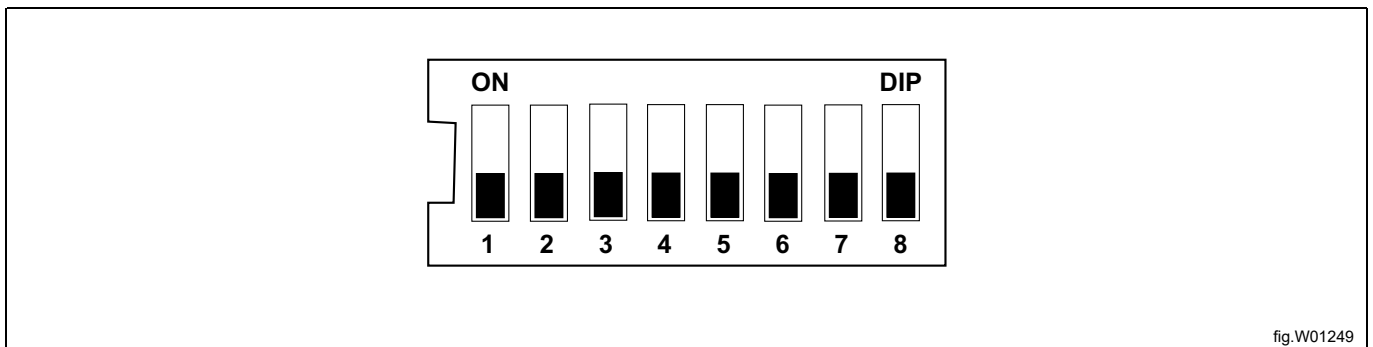
Aa: is a potential-free relay that can handle 250 VAC.



A red eight-pin DIP switch is located on the left side of the electrical unit. Set the first DIP switch (B) to the ON position.



If the drying cabinet is not connected to an external payment system, all eight DIP switches must be in the OFF position for the drying cabinet to start.



Note!

The relay output of the payment system must be closed during the entire drying process. If this is not the case, heating will not work. (The fan will run, but heating will not be activated).

8 Function check



May only be performed by qualified personnel.



A function check must be performed when the installation is finished and before the appliance can be used. Whenever a repair has been made, a function check must be performed before the appliance can be used again.

- Select any program and check that the drying cabinet is heating and that there are no odd noises.

Ready for use

If all tests are OK the appliance is now ready for use.

If any of the tests fail, or deficiencies or faults are detected, please contact your local service organization or supplier.

9 Disposal information

9.1 Disposal of appliance at end of life

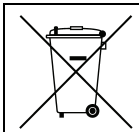
Before disposing of the machine, make sure to carefully check its physical condition, and in particular any parts of the structure that can give or break during scrapping.

The machine's parts must be disposed of in a differentiated way, according to their different characteristics (e.g. metals, oils, greases, plastic, rubber, etc.).

Different regulations are in force in the various countries, therefore comply with the provisions of the laws and competent bodies in the country where scrapping takes place.

In general, the appliance must be taken to a specialised collection/scrapping centre.

Dismantle the appliance, grouping the components according to their chemical characteristics, remembering that the compressor contains lubricant oil and refrigerant fluid which can be recycled, and that the refrigerator and heat pump components are special waste assimilable with urban waste.



The symbol on the product indicates that this product should not be treated as domestic waste, but must be correctly disposed of in order to prevent any negative consequences for the environment and human health. For further information on the recycling of this product, contact the local dealer or agent, the Customer Care service or the local body responsible for waste disposal.



Note!

When scrapping the machine, any marking, this manual and other documents concerning the appliance must be destroyed.

9.2 Disposal of packing

The packing must be disposed of in compliance with the current regulations in the country where the appliance is used. All the packing materials are environmentally friendly.

They can be safely kept, recycled or burned in an appropriate waste incineration plant. Recyclable plastic parts are marked as following examples.

	Polyethylene: <ul style="list-style-type: none"> • Outer wrapping • Instructions bag
	Polypropylene: <ul style="list-style-type: none"> • Straps
	Polystyrene foam: <ul style="list-style-type: none"> • Corner protectors



Electrolux Professional AB
341 80 Ljungby, Sweden
www.electroluxprofessional.com