

Installation manual

Washer extractor

PW9C
Type W3...



Electrolux
PROFESSIONAL

Contents

Contents

1	Safety Precautions	5
1.1	General safety information.....	6
1.2	Commercial use only.....	6
1.3	Copyright	6
1.4	Symbols.....	6
2	Warranty terms and exclusions.....	7
3	Technical data.....	8
3.1	Drawing	8
3.2	Technical data	9
3.3	Connections	9
4	Setup	9
4.1	Unpacking.....	9
4.2	Recycling instruction for packaging	11
4.3	Siting	12
4.4	Mechanical installation	12
5	Water connection	13
6	Drain connection	14
7	Electrical connection.....	15
7.1	Electrical installation	15
7.2	Electrical connections	15
7.3	Machine connection	16
7.4	Converting heating elements	17
7.4.1	The machine can be converted from 380–415V 3AC to 220-240V 3AC.....	17
7.4.2	The machine can be converted from 400–415V 3AC to 230-240V 1AC with reduced power	18
8	At first power up	19
8.1	Select language.....	19
8.2	Set time and date.....	19
9	Function check.....	19
10	Disposal information	20
10.1	Appliance recyclability and disposal	20
10.1.1	Recyclability.....	20
10.1.2	Procedure regarding appliance disposal and component / material recovery.....	20
10.2	Disposal of packing.....	20

The manufacturer reserves the right to make changes to design and component specifications.

1 Safety Precautions

- Servicing shall be carried out only by authorized personnel.
- Only authorized spare parts, accessories and consumables shall be used.
- Only use detergent intended for water-wash of textiles. Never use dry cleaning agents.
- The machine shall be connected with new water hoses. Re-used water hoses must not be used.
- The machine's door lock must under no circumstances be bypassed.
- If the machine develops a fault, this must be reported to the person in charge as soon as possible. This is important both for your safety and that of others.
- DO NOT MODIFY THIS APPLIANCE.
- When performing service or replacing parts, the power must be disconnected.
- When the power is disconnected, the operator must see that the machine is disconnected (that the plug is removed and remains removed) from any point to which he has access. If this is not possible, due to the construction or installation of the machine, a disconnection with a locking system in the isolated position shall be provided.
- In accordance with the wiring rules: mount a multi-pole switch prior to the machine to facilitate installation and service operations.
- If different rated voltages or different rated frequencies (separated by a /) are stated at the machine data plate, instructions for adjusting the appliance for operation at the required rated voltage or rated frequency are stated in the installation manual.
- Stationary appliances not fitted with means for disconnection from the supply mains having a contact separation in all poles that provide full disconnection under overvoltage category III, means for disconnection must be incorporated in the fixed wiring in accordance with the wiring rules.
- The openings in the base, shall not be obstructed by a carpet.
- Maximum mass of dry cloth: 9 kg.
- A-weighted emission sound pressure level at working stations:
 - Wash: <70 dB(A).
 - Extraction: <70 dB(A).
- Maximum inlet water pressure: 1000 kPa
- Minimum inlet water pressure: 50 kPa
- Additional requirements for the following countries; AT, BE, BG, HR, CY, CZ, DK, EE, FI, FR, DE, GR, HU, IS, IE, IT, LV, LT, LU, MT, NL, NO, PL, PT, RO, SK, SI, ES, SE, CH, TR, UK:
 - The appliance can be used in public areas.
 - This appliance can be used by children aged from 8 years and above and persons with reduced physical, sensory or mental capabilities or lack of experience and knowledge if they have been given supervision or instruction concerning use of the appliance in a safe way and understand the hazards involved. Children shall not play with the appliance. Cleaning and user maintenance shall not be made by children without supervision.
 - Children of less than 3 years should be kept away unless continuously supervised.
- Additional requirements for other countries:
 - This appliance is not intended for use by persons (including children) with reduced physical, sensory or mental capabilities, or lack of experience and knowledge,

unless they have been given supervision or instruction concerning use of the appliance by a person responsible for their safety. Children should be supervised to ensure that they do not play with the appliance.

- This appliance is not intended for use in household applications but is intended for use in similar applications such as: staff kitchen areas in shops, offices and other working environments, farm houses, by clients in hotels, motels and other residential type environments, bed and breakfast type environments, areas for communal use in blocks of flats or in launderettes.

1.1 General safety information

The machine is only intended for water-wash use.

Do not hose down the machine with water.

In order to prevent damage to the electronics (and other parts) that may occur as the result of condensation, the machine should be placed in room temperature for 24 hours before being used for the first time.




1.2 Commercial use only

The machine/machines covered by this manual is/are made for commercial and industrial use only.

1.3 Copyright

This manual is intended solely for consultation by the operator and can only be given to third parties with the permission of Electrolux Professional AB company.

1.4 Symbols

	Caution
	Caution, high voltage
	Read the instructions before using the machine

2 Warranty terms and exclusions

If the purchase of this product includes warranty coverage, warranty is provided in line with local regulations and subject to the product being installed and used for the purposes as designed, and as described within the appropriate equipment documentation.

Warranty will be applicable where the customer has used only genuine spare parts and has performed maintenance in accordance with Electrolux Professional AB user and maintenance documentation made available in paper or electronic format.

Electrolux Professional AB strongly recommends using Electrolux Professional AB approved cleaning, rinse and descaling agents to obtain optimal results and maintain product efficiency over time.

The Electrolux Professional AB warranty does not cover:

- service trips cost to deliver and pick up the product;
- installation;
- training on how to use/operate;
- replacement (and/or supply) of wear and tear parts unless resulting from defects in materials or workmanship reported within one (1) week from the failure;
- correction of external wiring;
- correction of unauthorized repairs as well as any damages, failures and inefficiencies caused by and/or resulting from;
 - insufficient and/or abnormal capacity of the electrical systems (current/voltage/frequency, including spikes and/or outages);
 - inadequate or interrupted water supply, steam, air, gas (including impurities and/or other that does not comply with the technical requirements for each appliance);
 - plumbing parts, components or consumable cleaning products that are not approved by the manufacturer;
 - customer's negligence, misuse, abuse and/or non-compliance with the use and care instructions detailed within the appropriate equipment documentation;
 - improper or poor: installation, repair, maintenance (including tampering, modifications and repairs carried out by third parties not authorized third parties) and modification of safety systems;
 - Use of non-original components (e.g.: consumables, wear and tear, or spare parts);
 - environment conditions provoking thermal (e.g. overheating/freezing) or chemical (e.g. corrosion/oxidation) stress;
 - foreign objects placed in- or connected to- the product;
 - accidents or force majeure;
 - transportation and handling, including scratches, dents, chips, and/or other damage to the finish of the product, unless such damage results from defects in materials or workmanship and is reported within one (1) week of delivery unless otherwise agreed;
- product with original serial numbers that have been removed, altered or cannot be readily determined;
- replacement of light bulbs, filters or any consumable parts;
- any accessories and software not approved or specified by Electrolux Professional AB.

Warranty does not include scheduled maintenance activities (including the parts required for it) or the supply of cleaning agents unless specifically covered within any local agreement, subject to local terms and conditions.

Check on Electrolux Professional AB website the list of authorized customer care.

3 Technical data

3.1 Drawing

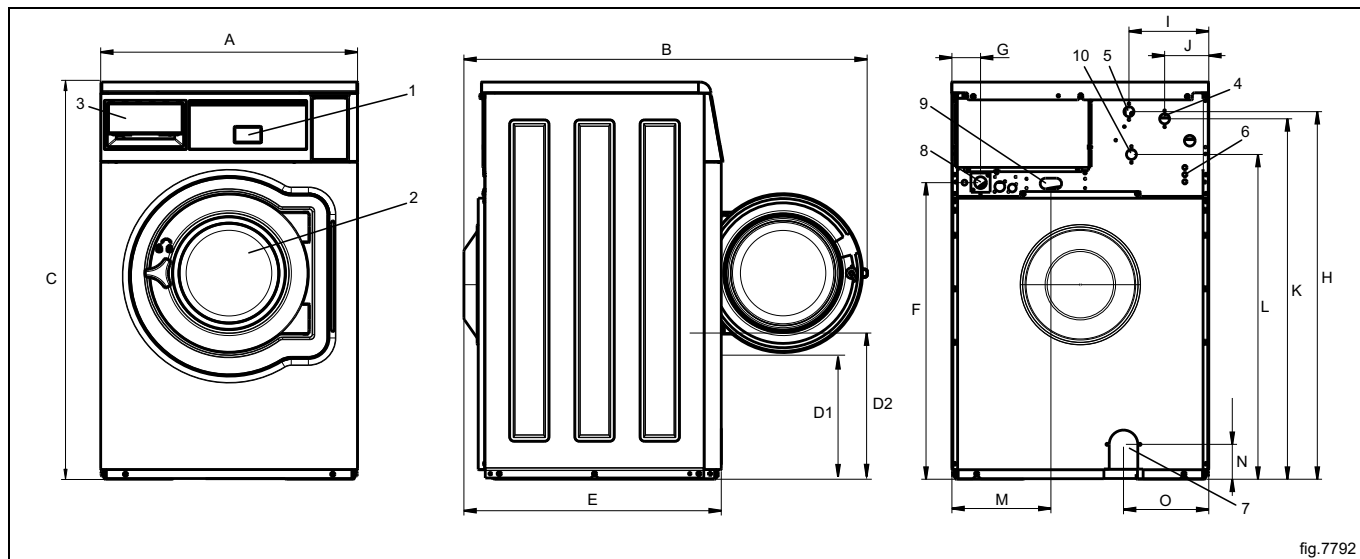


fig.7792

1	Operating panel
2	Door opening, \varnothing 310 mm
3	Detergent container
4	Cold water
5	Hot water
6	Liquid detergent supply
7	Drain valve
8	Electrical connection
9	Steam connection
10	Re-used water

mm	A	B	C	D1	D2	E	F	G
	720	1130	1113	352	406	721	831	80

mm	H	I	J	K	L	M	N	O
	1030	224	124	1010	910	278	98	239

3.2 Technical data

Weight, net	kg	135
Drum volume	litres	75
Drum diameter	mm	520
Drum speed during wash	rpm	52
Drum speed during extraction	rpm	1015
G-factor, max.		300
Heating: Electricity	kW	5.4
Heating: Hot water		x
Frequency of the dynamic force	Hz	16.9
Floor load at max extraction	kN	1.4 ± 0.5
Sound power/pressure level at extraction*	dB(A)	75/61
Sound power/pressure level at wash*	dB(A)	60/46
Heat emission of installed power, max	%	5

* Sound power levels measured according to ISO 60704.

3.3 Connections

Water valves	DN BSP	20 3/4"
Recommended water pressure	kPa	150–400
Continuous operating pressure	kPa	50–800
Capacity at 300 kPa	l/min	16
Drain valve	ø outer mm	50/75
Draining capacity	l/min	160
Electrical drain		30
Pump drain		

4 Setup

4.1 Unpacking

Remove the front and rear panel.

Remove the four transport supports. Save the transport supports if the machine needs to be moved in the future.

Note!

Once the transport supports have been removed, handle the machine carefully to avoid damage to the suspension components.

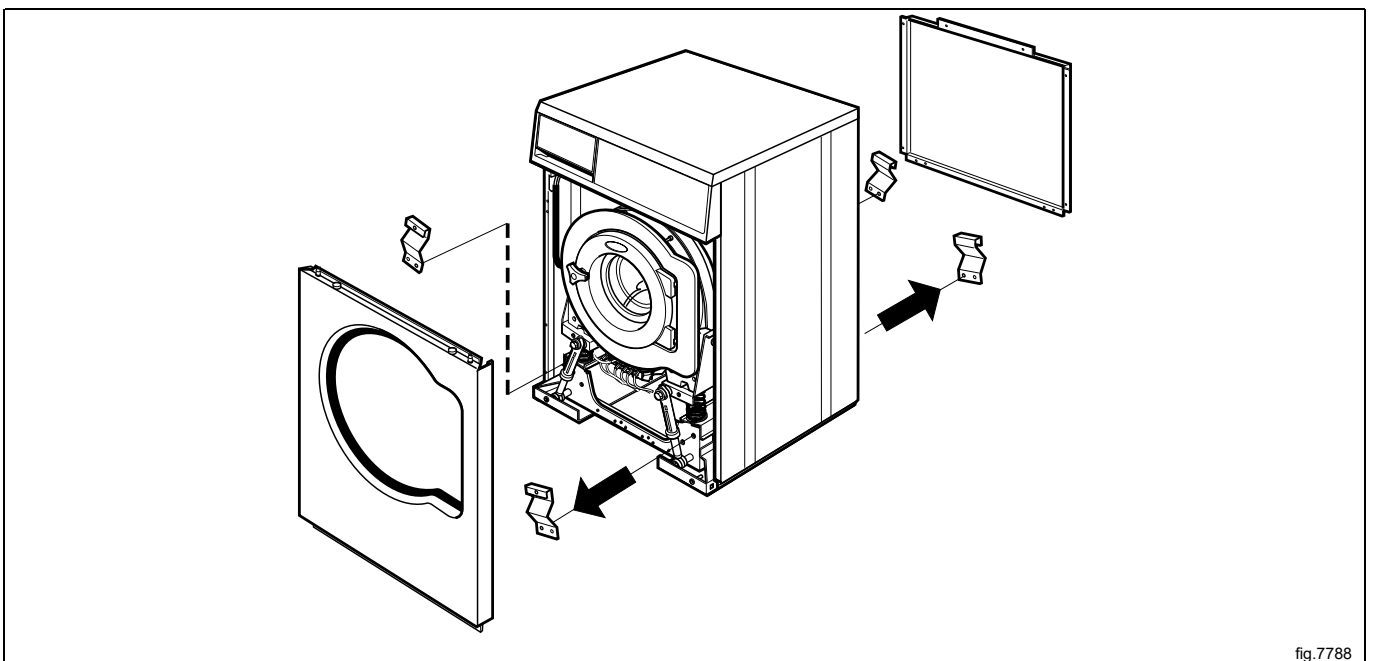
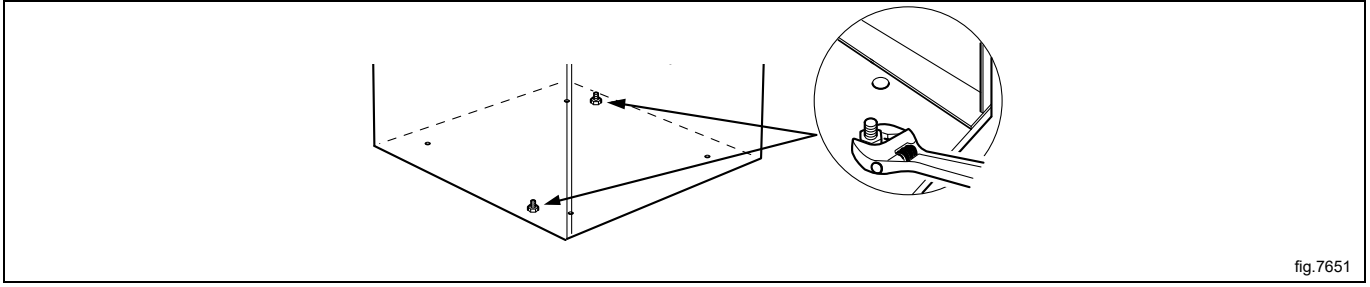


fig.7788

Remove the bolts between the machine and pallet. There is one to the right in the front of the machine and another diagonally opposed to it, at the back of the machine.



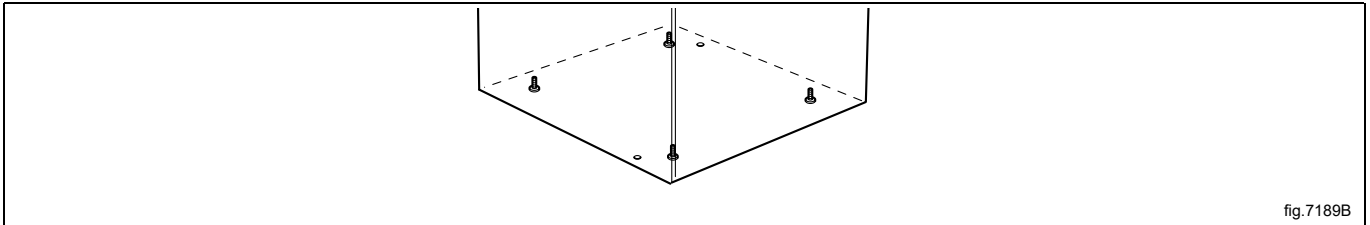
Remove the machine from the pallet.

Note!

When moving the machine, handle it with care. Make sure that the machine does not come down on the floor with either of the rear corners first. The side panel of the machine can be damaged.

Place the machine on its final position.

Mount the supporting feet.



Remount the panels.

4.2 Recycling instruction for packaging

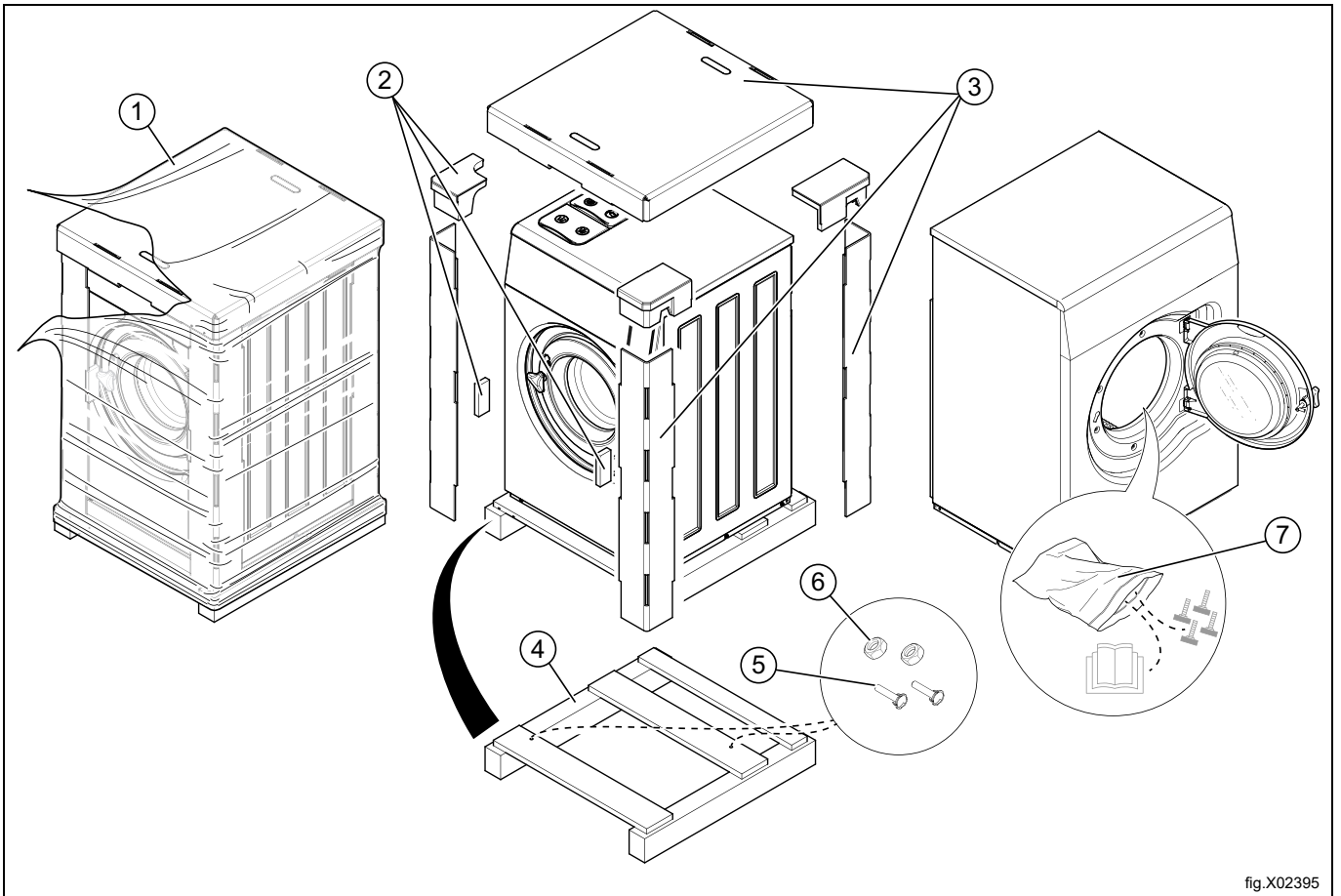


fig.X02395

Fig.	Description	Code	Type
1	Wrapping film	LDPE 4	Plastics
2	Corner protection	PS 6	Plastics
3	Cardboard packaging	PAP 20	Paper
4	Pallet	FOR 50	Wood
5	Screw	FE 40	Steel
6	Nut	FE 40	Steel
7	Plastic bag	PET 1	Plastics

4.3 Siting

Install the machine close to a floor drain or open drain.

The machine should be positioned so that there is plenty of room for working, both for the user and service personnel. The figure shows minimum distance to a wall and/or other machines.

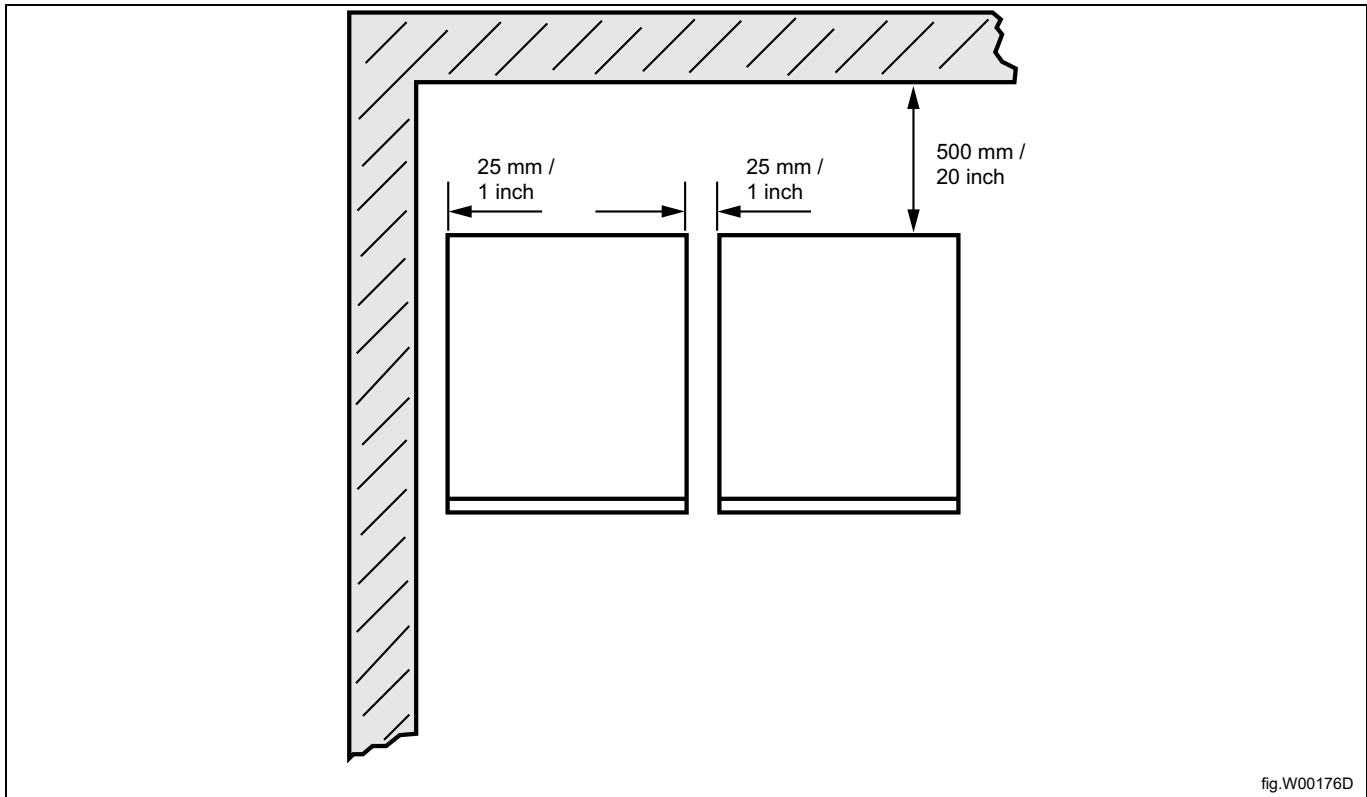


fig.W00176D

4.4 Mechanical installation

If the machine is not to be mounted on a base the machine must be fastened to the floor.

The table shows the correct drilling points.

Mark and drill two holes (∅ 8 mm) about 40 mm deep in the positions shown.

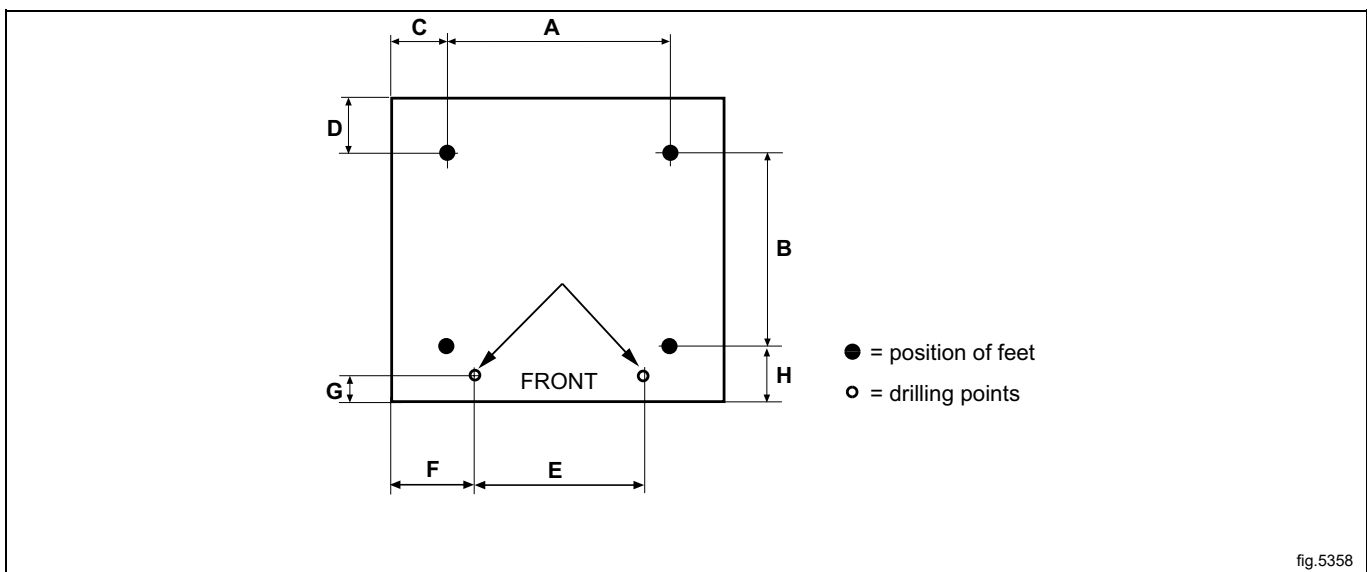


fig.5358

mm	A	B	C	D	E	F	G	H
	495	460	110	130	375	170	40	100

Place the machine over the two drilled holes. The holes are at the front of the machine.

Level the machine with the feet of the machine. Screw in the feet as much as possible before starting to level the machine. This will make the machine stand steadier.

Insert the expansion bolts supplied into the holes drilled in the floor. Fit the washers and nuts and tighten well.



It is of the upmost importance that the machine is placed in level, from side to side as well as front to rear.

5 Water connection

All water intake connections to the machine should be fitted with manual shut-off valves and filters, to facilitate installation and servicing.

Water pipes and hoses should be flushed clean before installation.

The machine shall be connected with new water hoses. Re-used water hoses must not be used.

Hoses are to be of an approved type and grade and comply with IEC 61770 and any applicable local regulations.

After installation hoses must hang in gentle arcs.

All connectors present on the machine must be connected. The table shows the possible connection options, which will depend on the water types to be connected to the machine. Information is also available on the panel above the connections.

	Water type	Water connection
	<ul style="list-style-type: none"> Cold and hot 	<ol style="list-style-type: none"> Cold Hot

Water pressure:

Continuous operating pressure: 50–800 kPa (0.5-8 kp/cm²)

Maximum: 1000 kPa (10 kp/cm²)

Recommended: 200–600 kPa (2–6 kp/cm²)

Note!

If the water pressure is below the minimum value, the wash result can not be guaranteed for certain program.

For WRAS-approved machines; always check connection requirements on WRAS website.

For KIWA-approved machines; always check connection requirements on KIWA website.

For NSF-approved machines; always check connection requirements on NSF website.

Plumbing

This machine is approved for all UK applications as suitable for category 5.

The product is listed in the WRAS regulations advisory scheme directory and is suitable for direct connection to mains drinking water. No special plumbing arrangements e.g. break tanks are required.

Water Council approved double check valves should be fitted in between the stopcocks and the water inlet hoses.

FOR AUSTRALIA:

The appliance shall be installed in accordance with AS / NZS 3500.1

The appliance need to be installed using dual check valves.

Contact details for after sales service: service.au@electroluxprofessional.com

6 Drain connection

Drain valve

Connect a 75 mm (alt. 50 mm) pipe or rubber hose to the machine's drain pipe, ensuring a downward flow from the machine. Avoid sharp bends which may prevent proper draining.

The drainage pipe should be located over a floor drain, drainage channel or the like so that the distance between the outlet and the drain is at least 25 mm.

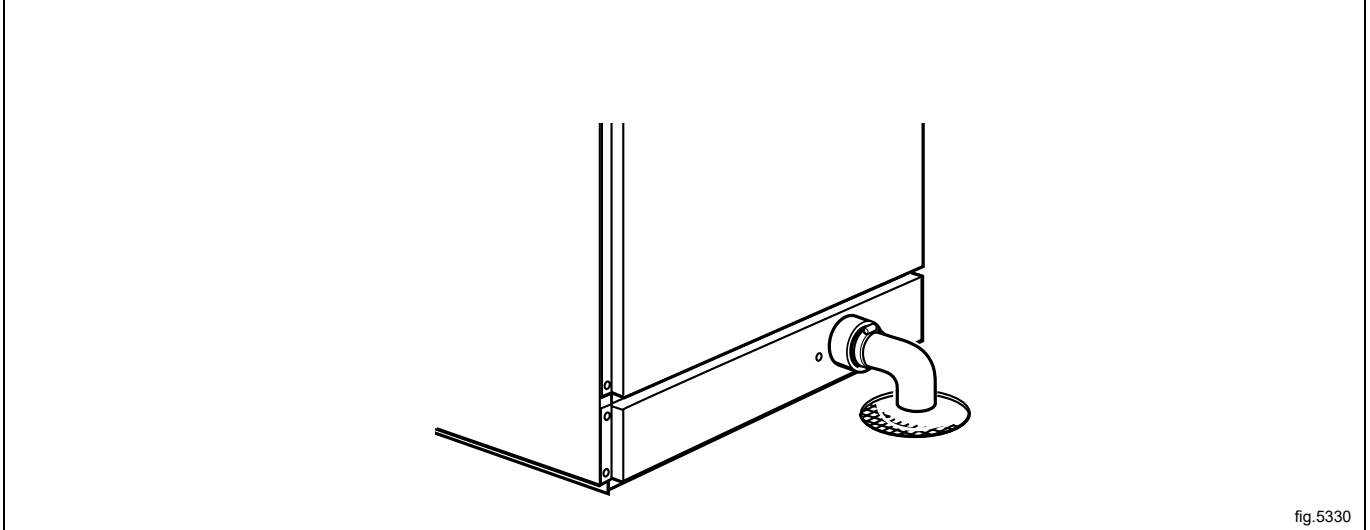


fig.5330

Drain pump

The drainage pipe should be located over a floor drain, drainage channel or the like.

The highest part of the drain hose shall be positioned according to the figure.

Make sure there is no kinks in the hose.

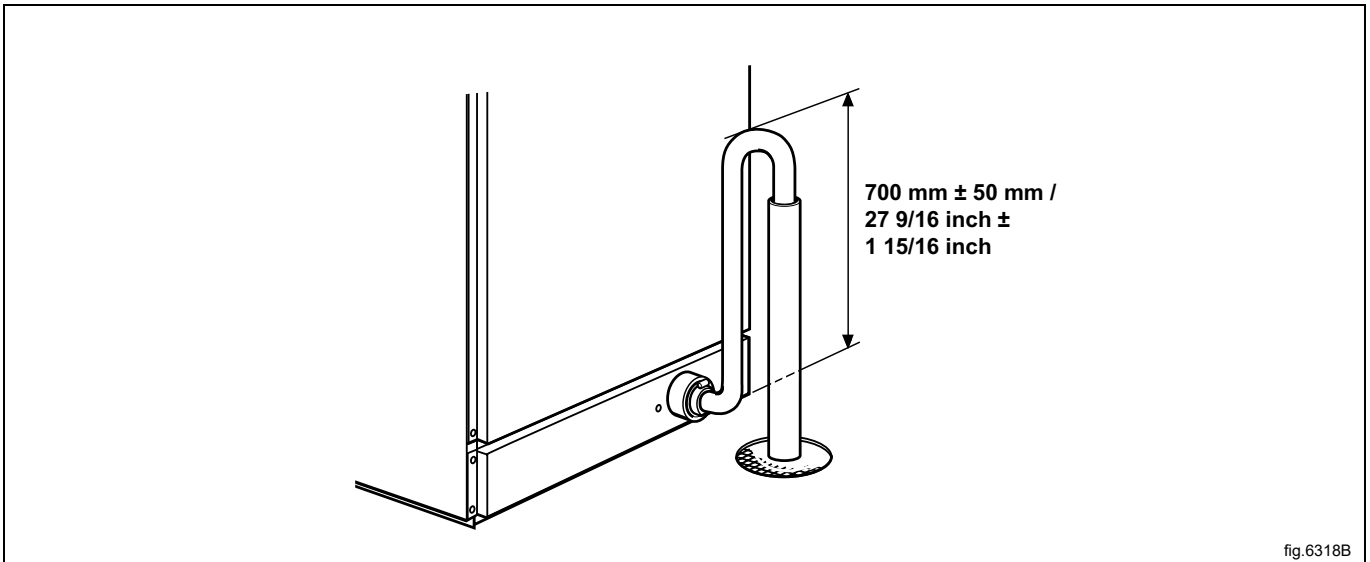


fig.6318B

7 Electrical connection

7.1 Electrical installation



The electrical installation may only be carried out by qualified personnel.



Machines with frequency-controlled motors can be incompatible with certain types of earth leakage circuit breaker. It is important to know that the machines are designed to provide a high level of personal safety, which is why items of external equipment such as earth leakage circuit breakers are not necessary but is recommended. If you still want to connect your machine across an earth leakage circuit breaker, please remember the following:

- contact a skilled, authorised installation company to ensure that the appropriate type of breaker is chosen and that the dimensioning is correct
- for maximum reliability, connect only one machine per earth leakage circuit breaker
- it is important that the earth wire is properly connected.

In accordance with the wiring rules: mount a multi-pole switch prior to the machine to facilitate installation and service operations.

The connecting cable shall hang in a gentle curve.

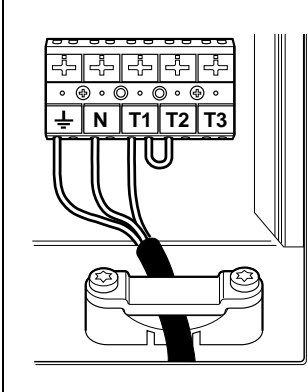
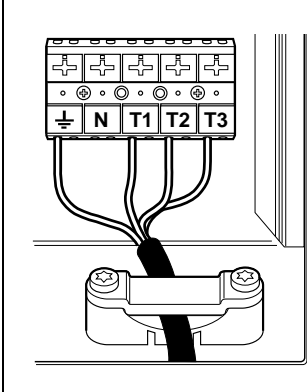
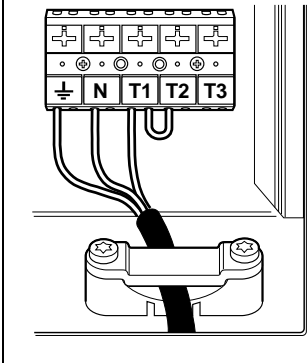
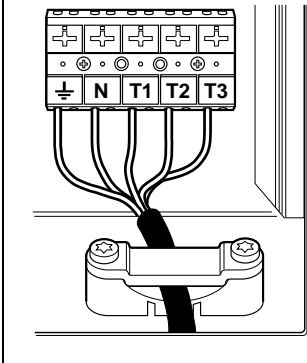
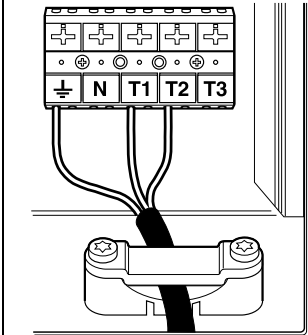
For AU/NZ: Fixed wiring is in accordance with AS/NZS 3000.

7.2 Electrical connections

Heating alternative	Main voltage	Hz	Heating power kW	Total power kW	Recommended fuse A
Electric heated	220-240V 1 ~	50/60	5.4/7.5	5.5/7.6	25/35
	220-240V 1 ~	50/60	2.0/3.0	2.1/3.1	10/16
	220-240V 3 ~	50/60	5.4/7.5	5.5/7.6	16/20
	220-240V 3 ~	50/60	3.0/4.3	3.1/4.5	10/16
	380-415V 3N ~	50/60	5.4/7.5	5.5/7.6	10/16
	380-415V 3N ~	50/60	3.0/4.3	3.1/4.5	10
	440V 3 ~	60	7.5	7.6	16
	480V 3 ~	60	7.5	7.6	10
Non heated/Steam heated	220-480V 1 ~	50/60	-	1.0	10

7.3 Machine connection

Connect the earth and other two wires as shown.

Single-phase connection		Three-phase connection	
<p>1NAC Electrical heated</p> 		<p>3AC</p> 	
<p>1AC Electrical heated</p> 		<p>3N AC</p> 	
<p>1AC Non heated</p> 			

7.4 Converting heating elements

7.4.1 The machine can be converted from 380–415V 3AC to 220-240V 3AC

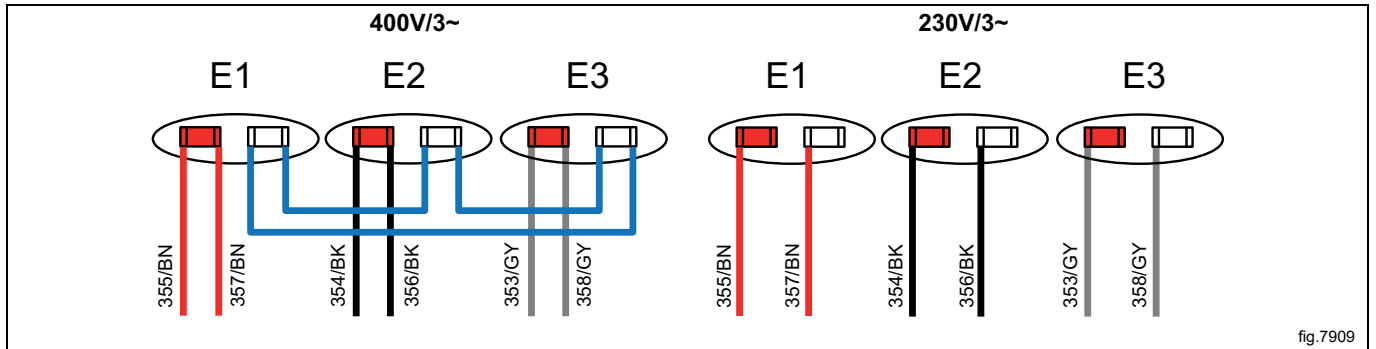
Disconnect the power to the machine.

Demount the front panel and remove the cover to the heating elements.

Remove the blue cables.

Move cables 357/BN, 356/BK and 358/GY from the red to the white terminals on each element.

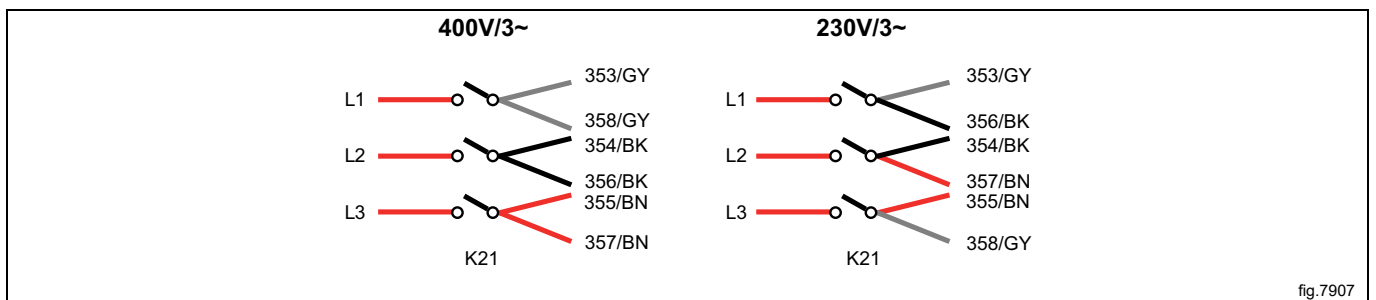
Remount the cover to the heating elements and remount the cover panel.



Demount the cover panel to the contactors.

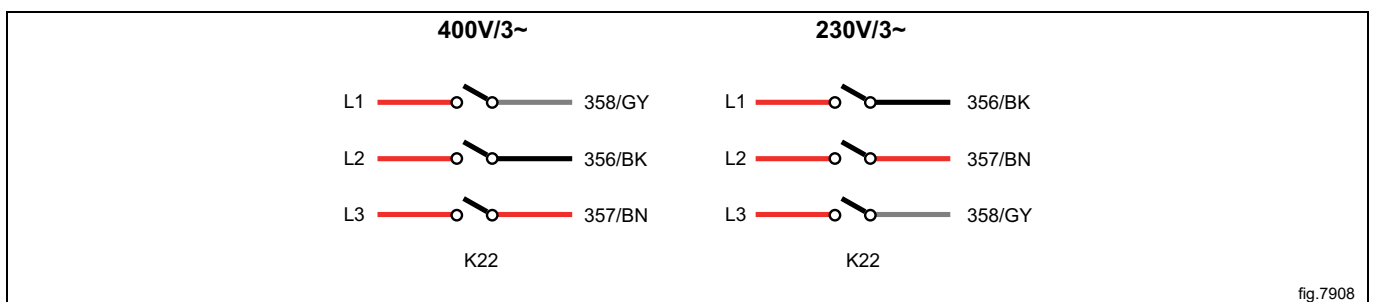
Machines with one contactor:

- Reconnect K21 according to the figure.



Machines with two contactors:

- K21 does not need to be reconnected.
- Reconnect K22 according to the figure.



Remount the cover panel to the contactors.

Connect the power to the machine.

Check that all terminals and wires are secure and test run the machine on a short program with 60°C to ensure that it does heat up.

7.4.2 The machine can be converted from 400–415V 3AC to 230-240V 1AC with reduced power

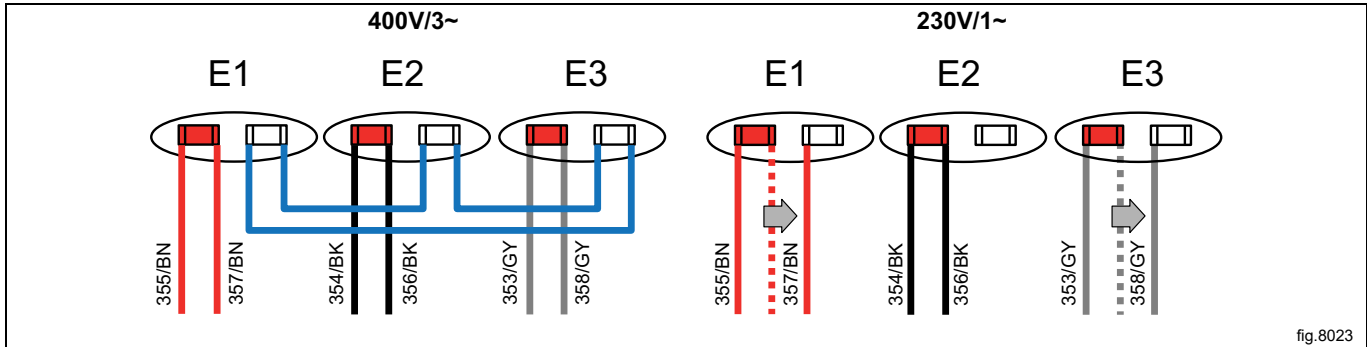
Disconnect the power to the machine.

Demount the front panel and remove the cover to the heating elements.

Remove the blue cables.

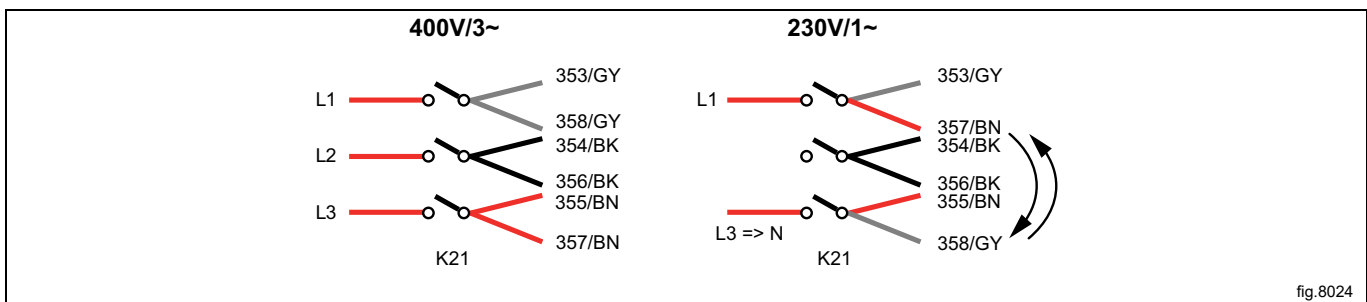
Move cables 357/BN on E1 and 358/GY on E3 from the red to the white terminals on each element.

Remount the cover to the heating elements and remount the cover panel.



Demount the cover panel to the contactors.

- Reconnect K21 by switching position of 357/BN and 358/GY.
- At the main switch, reconnect L3 to N.



Remount the cover panel to the contactors.

Connect the power to the machine.

Check that all terminals and wires are secure and test run the machine on a short program with 60°C to ensure that it does heat up.

8 At first power up

When the installation is complete and the power is connected for the first time you will be forced to make the following settings. When one setting is ready you will automatically enter the next one.

- Select language
- Set time and date
- Activate/deactivate the service alarm

For more information about the following settings please refer to the Programming and configuration manual.

8.1 Select language

Select language from the list on the display.

This will be the language that all display messages, program names etc will be presented in.

8.2 Set time and date

Select **YES** and press the control knob to get to the menu **TIME/DATE**.

Activate the **SET TIME** menu and set the correct time.

Save the settings.

Activate the **SET DATE** menu and set the correct date. Start by setting the year.

- Set the year. Exit to continue with a long press on the control knob.
- Set the month. Exit to continue with a long press on the control knob.
- Set the day. Exit with a long press on the control knob and then save with a long press on the control knob.

Exit the menu when ready.

9 Function check



May only be carried out by qualified personnel.



A function check must be made when the installation is finished and before the machine can be ready to be used.

Open the manual water valves.

Start a program.

- Check that the drum rotates normally and that there are no unusual noises.
- Check that there are no leaks in water supply/drain connections.
- Check that water passes through the detergent container.
- Check that the door cannot be opened during a program.

Ready to use

If all tests are OK the machine is now ready to be used.

If some of the tests failed, or deficiencies or errors are detected, please contact your local service organisation or dealer.

10 Disposal information

10.1 Appliance recyclability and disposal

10.1.1 Recyclability

Our appliances are manufactured using a significant percentage of recyclable metals (such as stainless steel, iron, aluminium, galvanized sheet, copper, etc.), which can be recovered through the local recycling systems, in compliance with the regulations in force in the country of use.

National regulations regarding waste disposal may vary. Disposal of the appliance must therefore be carried out in accordance with the applicable legislation and the directives issued by the competent authorities in the country where the appliance is decommissioned.

The components of the appliance must be separated and disposed of in accordance with their material composition (e.g. metals, oils, greases, plastics, rubber, refrigerant gases, insulating boards and other insulating material, glass wool, LEDs, etc.) and in full compliance with applicable local and international waste management regulations.

Compressors may contain oils and refrigerants fluids - are special waste and has to be recycled on local bases regulations.

10.1.2 Procedure regarding appliance disposal and component / material recovery

This product should not simply be disposed of in the environment at the end of its life cycle; it is imperative instead either to dispose of it in accordance with local environmental regulations, or, preferably, to deliver it whole to an authorized recycling center.

All removed components, including doors and other structural parts, must be delivered together with the appliance to an authorized recycling or dismantling facility.

The dismantling/recycling center will apply state of the art technologies and methods available to them to effectively disassemble the products for best recyclability.

Note that printed circuit boards, electrical motors or other components identified in European Union legislation to be of high critical raw materials recovery potential need to be addressed specifically.

In case of doubts or questions, always refer to your reference customer care service.

Before disposing of the appliance, carefully inspect its physical condition and preservation state, checking for potential leaks of liquids or gases, as well as for broken parts that may pose hazards during handling and subsequent dismantling.



The symbol on the product indicates that this product should not be treated as domestic waste, but must be correctly disposed of in order to prevent any negative consequences for the environment and human health. For further information on the recycling of this product, contact the local dealer or agent, the customer care service or the local body responsible for waste disposal.

Note!

When dismantling the appliance, any marking, this manual and other documents concerning the appliance must be destroyed.

10.2 Disposal of packing

The packing must be disposed of in compliance with the current regulations in the country where the appliance is used. All the packing materials are environmentally friendly.

They can be safely kept, recycled or burned in an appropriate waste incineration plant. Recyclable plastic parts are marked as following examples.

	Polyethylene: <ul style="list-style-type: none"> • Outer wrapping • Instructions bag
	Polypropylene: <ul style="list-style-type: none"> • Straps
	Polystyrene foam: <ul style="list-style-type: none"> • Corner protectors



Electrolux Professional AB
341 80 Ljungby, Sweden
www.electroluxprofessional.com