

# Installation manual

## Tumble dryer

**TD6–10**  
**Compass Pro**  
Type N1190..



**Electrolux**  
PROFESSIONAL



# Contents

---

## Contents

1	Safety Precautions .....	5
1.1	Additional safety precautions for gas heated tumble dryer .....	7
1.2	General safety information .....	7
1.3	Commercial use only .....	7
1.4	Copyright .....	7
1.5	Symbols .....	8
2	Warranty terms and exclusions .....	9
3	Technical data .....	10
3.1	Drawing .....	10
3.2	Technical data .....	11
3.3	Connections .....	11
3.4	Machines with heat pump .....	12
3.4.1	Drawing .....	12
3.4.2	Technical data .....	13
4	Setup .....	14
4.1	Unpacking .....	14
4.1.1	Machines with heat pump .....	14
4.2	Recycling instruction for packaging .....	15
4.3	Siting .....	16
4.4	Drain connection (only for machines with heat pump) .....	16
4.5	Water connection (only for machines with heat pump) .....	17
4.6	Mechanical installation .....	17
5	Marine installation .....	18
6	Evacuation system .....	19
6.1	Air principle .....	19
6.1.1	For machines with heat pump .....	19
6.2	Fresh air .....	19
6.3	Exhaust duct .....	20
6.4	Shared exhaust duct .....	20
6.5	Exhaust dimensioning .....	21
6.6	Adjusting the dryer (not valid for machines with heat pump) .....	21
7	Gas connection .....	22
7.1	Fasten the label .....	22
7.2	General .....	22
7.3	Gas installation .....	23
7.4	Table of pressure and adjustment .....	23
7.5	Test run .....	25
7.6	Converting instructions .....	26
7.7	Data label .....	28
8	Electrical connection .....	29
8.1	Electrical installation .....	29
8.2	Single-phase connection .....	29
8.3	Three-phase connection .....	31
8.4	Electrical connections .....	33
8.5	Functions for I/O-cards .....	34
8.5.1	Central payment (2J) .....	34
8.5.2	Central payment (2J) .....	35
8.5.3	External coin meter/Central payment (2K) .....	36
8.5.4	Price reduction (2K) .....	37
8.6	Option .....	37
8.6.1	External connection 100 mA .....	37
9	Reversing the door .....	38
10	At first power up .....	40
10.1	Select language .....	40
10.2	Set time and date .....	40
10.3	Activate/Deactivate the service alarm .....	40
11	Function check .....	41
12	Disposal information .....	42
12.1	Disposal of appliance at end of life .....	42
12.2	Disposal of packing .....	42

# Contents

---

The manufacturer reserves the right to make changes to design and component specifications.

## 1 Safety Precautions

- Servicing shall be carried out only by authorized personnel.
- Only authorized spare parts, accessories and consumables shall be used.
- The machine is not to be used if industrial chemicals have been used for cleaning.
- Do not dry unwashed items in the machine.
- Items that have been soiled with substances such as cooking oil, acetone, alcohol, petrol, kerosene, spot removers, turpentine, waxes and wax removers should be washed in hot water with an extra amount of detergent before being dried in the machine.
- Items such as foam rubber (latex foam), shower caps, waterproof textiles, rubber backed articles and clothes or pillows fitted with foam rubber pads should not be dried in the machine.
- Fabric softeners or similar products should be used as specified by the fabric softener instructions.
- The final part of a drying cycle occurs without heat (cool down cycle) to ensure that the items are left at a temperature that ensures that the items will not be damaged.
- Remove all objects from pockets such as lighters and matches.
- **WARNING.** Never stop the machine before the end of the drying cycle unless all items are quickly removed and spread out so that the heat is dissipated.
- Adequate ventilation has to be provided to avoid the back flow of gases into the room for appliances burning other fuels, including open fires.
- Exhaust air must not be discharged into a flue which is used for exhausting fumes from appliances burning gas or other fuels.
- The machine must not be installed behind a lockable door, a sliding door or a door with a hinge on the opposite side to that of the machine in such a way that a full opening of the machine is restricted.
- If the machine has a lint trap this has to be cleaned frequently.
- The lint must not be accumulated around the machine.
- **DO NOT MODIFY THIS APPLIANCE.**
- When performing service or replacing parts, the power must be disconnected.
- When the power is disconnected, the operator must see that the machine is disconnected (that the plug is removed and remains removed) from any point to which he has access. If this is not possible, due to the construction or installation of the machine, a disconnection with a locking system in the isolated position shall be provided.
- In accordance with the wiring rules: mount a multi-pole switch prior to the machine to facilitate installation and service operations.
- Stationary appliances not fitted with means for disconnection from the supply mains having a contact separation in all poles that provide full disconnection under overvoltage category III, the instructions state that means for disconnection must be incorporated in the fixed wiring in accordance with the wiring rules.
- **WARNING:** The appliance must not be supplied through an external switching device, such as a timer, or connected to a circuit that is regularly switched on and off by a utility.
- If different rated voltages or different rated frequencies (separated by a /) are stated at the machine data plate, instructions for adjusting the appliance for operation at the required rated voltage or rated frequency are stated in the installation manual.
- The openings in the base, shall not be obstructed by a carpet.

- Oil-affected items can ignite spontaneously, especially when exposed to heat sources such as in a tumble dryer. The items become warm, causing an oxidation reaction in the oil. Oxidation creates heat. If the heat cannot escape, the items can become hot enough to catch fire. Piling, stacking or storing oil-affected items can prevent heat from escaping and so create a fire hazard.
- If it is unavoidable that fabrics that contain vegetable or cooking oil or have been contaminated by hair care products be placed in a tumble dryer they should first be washed in hot water with extra detergent – this will reduce, but not eliminate, the hazard.
- Maximum mass of dry cloth: 10.6 kg.
- A-weighted emission sound pressure level at working stations: <70 dB(A).
- Maximum inlet water pressure: 1000 kPa
- Minimum inlet water pressure: 50 kPa
- Additional requirements for the following countries; AT, BE, BG, HR, CY, CZ, DK, EE, FI, FR, DE, GR, HU, IS, IE, IT, LV, LT, LU, MT, NL, NO, PL, PT, RO, SK, SI, ES, SE, CH, TR, UK:
  - The appliance can be used in public areas.
  - This appliance can be used by children aged from 8 years and above and persons with reduced physical, sensory or mental capabilities or lack of experience and knowledge if they have been given supervision or instruction concerning use of the appliance in a safe way and understand the hazards involved. Children shall not play with the appliance. Cleaning and user maintenance shall not be made by children without supervision.
- Additional requirements for other countries:
  - This appliance is not intended for use by persons (including children) with reduced physical, sensory or mental capabilities, or lack of experience and knowledge, unless they have been given supervision or instruction concerning use of the appliance by a person responsible for their safety. Children should be supervised to ensure that they do not play with the appliance.

### 1.1 Additional safety precautions for gas heated tumble dryer

- Before installation, check that the local distribution conditions, nature of gas and pressure and the adjustment of the appliance are compatible.
- The machine is not to be installed in rooms containing cleaning machines with perchloroethylene, TRICHLOROETHYLENE or CHLOROFLUOROCONTAINING HYDROCARBONS as cleaning agents.
- NOTE: it is pointed out that the connection and commissioning of appliances complying with this standard are subject to observance of the installation regulations in force in the countries where these appliances are marketed.
- Connection to the appliance shall be made with a flexible hose suitable for the appliance category in accordance with national installation regulations of the country of destination and that in case of doubt the installer shall contact the supplier.
- The appliance should be installed on non-flammable materials for the floor, worktop and/or wall close to the appliance if required.
- If you can smell gas:
  - Do not switch on any equipment
  - Do not use electrical switches
  - Do not use telephones in the building
  - Evacuate the room, building or area
  - Contact the person responsible for the machine

### 1.2 General safety information

In order to prevent damage to the electronics (and other parts) that may occur as the result of condensation, the machine should be placed in room temperature for 24 hours before being used for the first time.







### 1.3 Commercial use only

The machine/machines covered by this manual is/are made for commercial and industrial use only.

### 1.4 Copyright

This manual is intended solely for consultation by the operator and can only be given to third parties with the permission of Electrolux Professional company.

## 1.5 Symbols

	Caution
	Caution, hot surface
	Caution, high voltage
	Warning, risk of fire / flammable material
	Danger, crush hazard
	Read the instructions before using the machine



## 2 Warranty terms and exclusions

If the purchase of this product includes warranty coverage, warranty is provided in line with local regulations and subject to the product being installed and used for the purposes as designed, and as described within the appropriate equipment documentation.

Warranty will be applicable where the customer has used only genuine spare parts and has performed maintenance in accordance with Electrolux Professional user and maintenance documentation made available in paper or electronic format.

Electrolux Professional strongly recommends using Electrolux Professional approved cleaning, rinse and descaling agents to obtain optimal results and maintain product efficiency over time.

The Electrolux Professional warranty does not cover:

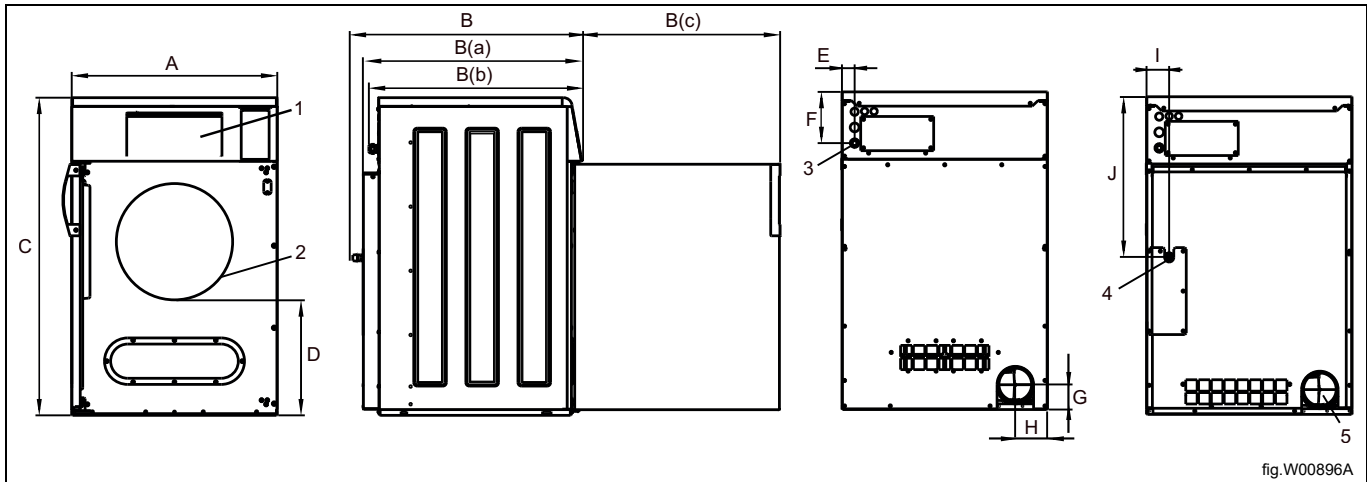
- service trips cost to deliver and pick up the product;
- installation;
- training on how to use/operate;
- replacement (and/or supply) of wear and tear parts unless resulting from defects in materials or workmanship reported within one (1) week from the failure;
- correction of external wiring;
- correction of unauthorized repairs as well as any damages, failures and inefficiencies caused by and/or resulting from:
  - insufficient and/or abnormal capacity of the electrical systems (current/voltage/frequency, including spikes and/or outages);
  - inadequate or interrupted water supply, steam, air, gas (including impurities and/or other that does not comply with the technical requirements for each appliance);
  - plumbing parts, components or consumable cleaning products that are not approved by the manufacturer;
  - customer's negligence, misuse, abuse and/or non-compliance with the use and care instructions detailed within the appropriate equipment documentation;
  - improper or poor: installation, repair, maintenance (including tampering, modifications and repairs carried out by third parties not authorized third parties) and modification of safety systems;
  - Use of non-original components (e.g.: consumables, wear and tear, or spare parts);
  - environment conditions provoking thermal (e.g. overheating/freezing) or chemical (e.g. corrosion/oxidation) stress;
  - foreign objects placed in- or connected to- the product;
  - accidents or force majeure;
  - transportation and handling, including scratches, dents, chips, and/or other damage to the finish of the product, unless such damage results from defects in materials or workmanship and is reported within one (1) week of delivery unless otherwise agreed;
- product with original serial numbers that have been removed, altered or cannot be readily determined;
- replacement of light bulbs, filters or any consumable parts;
- any accessories and software not approved or specified by Electrolux Professional.

Warranty does not include scheduled maintenance activities (including the parts required for it) or the supply of cleaning agents unless specifically covered within any local agreement, subject to local terms and conditions.

Check on Electrolux Professional website the list of authorized customer care.

### 3 Technical data

#### 3.1 Drawing



1	Operating panel
2	Door opening, $\varnothing$ 400 mm
3	Electrical connection
4	Gas connection
5	Exhaust connection

	A	B	B(a)	B(b)	B(c)	C
mm	720	805	765	750	695	1115

	D	E	F	G
mm	405	45	180	90

	H	I	J
mm	115	80	560

### 3.2 Technical data

Weight, net	kg	99
Drum volume	litres	190
Drum diameter	mm	680
Drum depth	mm	555
Drum speed	rpm	47
Rated capacity, filling factor 1:18 (Max. load)	kg	10.6
Rated capacity, filling factor 1:22 (Recommended. load)	kg	8.6
Heating: Electricity	kW	6
	kW	8
Heating: Gas	kW	6
	kW	8
Air consumption, Electric heating, 6 kW	m <sup>3</sup> /h	270
Air consumption, Electric heating, 8 kW	m <sup>3</sup> /h	290
Air consumption, Gas heating, 6 kW	m <sup>3</sup> /h	270
Air consumption, Gas heating, 8 kW	m <sup>3</sup> /h	290
Pressure drop, Electric heating, 6 kW	Max. Pa	380
Pressure drop, Electric heating, 8 kW	Max. Pa	350
Pressure drop, Gas heating, 6 kW	Max. Pa	380
Pressure drop, Gas heating, 8 kW	Max. Pa	350
A-weighted emission sound pressure level at working stations	dB(A)	<70
Heat emission of installed power, max	%	15

### 3.3 Connections

Air outlet	ø mm	125
Gas connection	1/2"	ISO 7/1-R1/2

### 3.4 Machines with heat pump

#### 3.4.1 Drawing

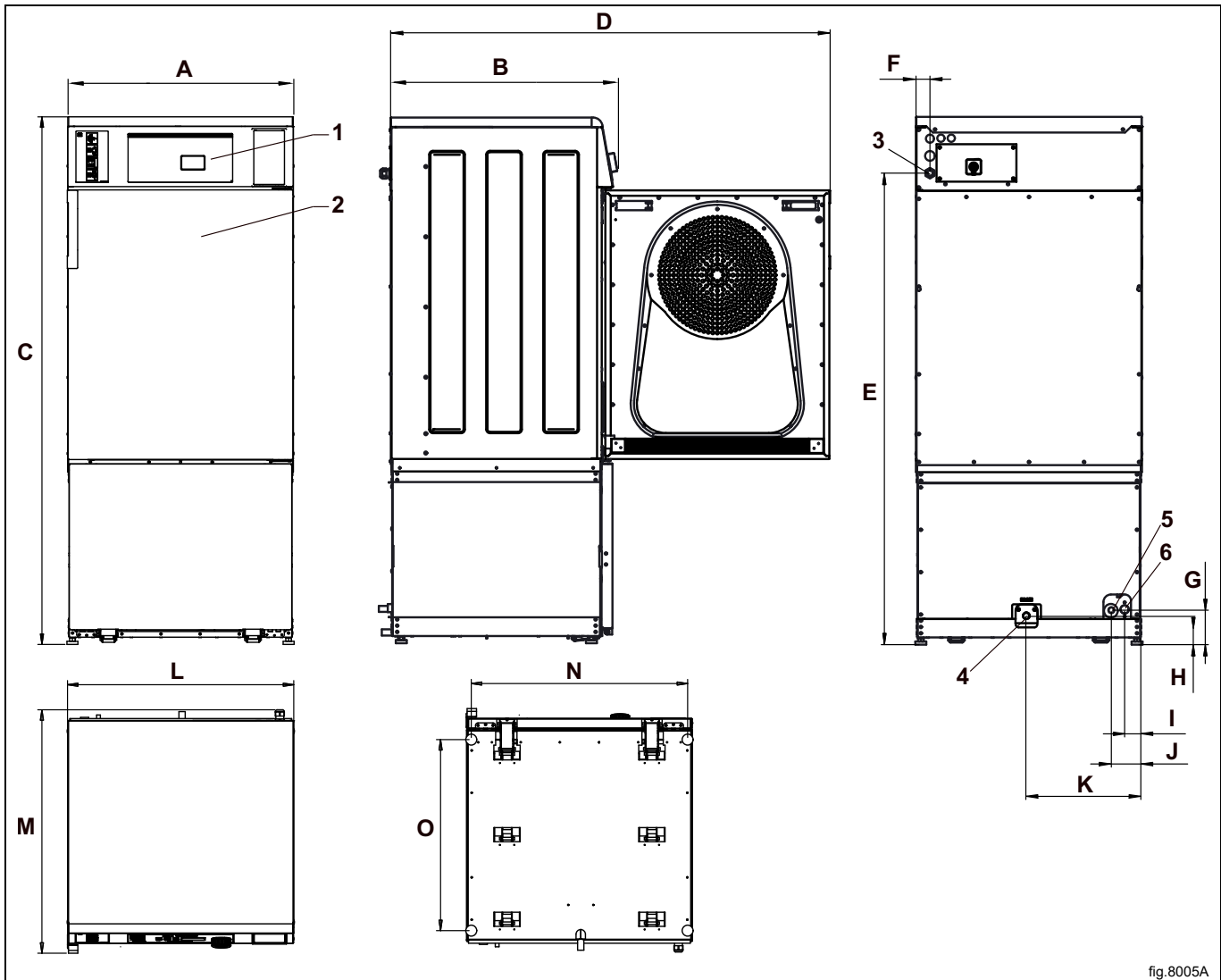


fig.8005A

1	Operating panel
2	Door opening, $\varnothing$ 400 mm
3	Electrical connection
4	Drain (condensed water)
5	Drain (cooling water)
6	Water connection

	A	B	C	D	E	F
mm	720	775	1685	1410	1505	45

	G	H	I	J	K	L
mm	110	90	50	95	340	720

	M	N	O
mm	775	690	610

### 3.4.2 Technical data

Weight, net	kg	188
Drum volume	litres	190
Drum diameter	mm	680
Drum depth	mm	555
Drum speed, medium load	rpm	47
Rated capacity, filling factor 1:18 (Max. load)	kg	10.6
Rated capacity, filling factor 1:22 (Max. recommended load)	kg	8.6
Sound power/pressure level at drying*	dB(A)	71/56
Average heat emission per drying cycle used to assess ventilation need**	kW	1.0

\* Sound power levels measured according to ISO 60704.

\*\* For assistance with dimensioning necessary ventilation needs, contact authorized ventilation technician. For sufficient ventilation all sources introducing heat need to be taken into account plus all other parameters effecting the ventilation need. Climate zone, building parameters, room size, etc.

### Heat pump

Weight, net	kg	52
Pipe connection, condensed water	∅ mm	19
Pipe connection, drain	∅ mm	20
Water connection		3/4"
Type of refrigerant		R134a
Amount of refrigerant	kg	1.35

### Fluorinated greenhouse gases

This product contains fluorinated greenhouse gases:

R134A: 1.350 kg

GWP 1430

CO<sup>2</sup> equivalent 1.931 t

Hermetically sealed

## 4 Setup

### 4.1 Unpacking

Cut and remove the two plastic straps between the machine and pallet. There is one strap on each side of the machine.

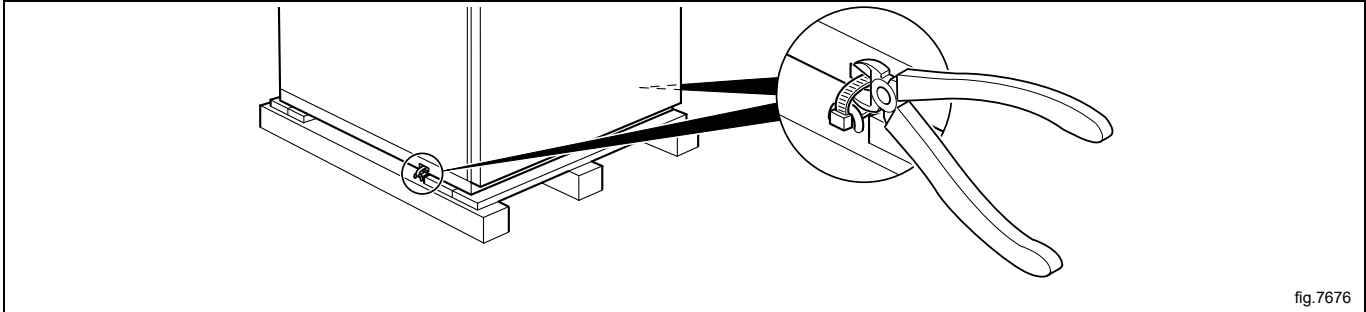


fig.7676

Remove the machine from the pallet.

#### **Note!**

**When moving the machine, handle it with care. The drum has no transport clamps.**

Place the machine on its final position.

#### 4.1.1 Machines with heat pump

#### **Note!**

**Two persons are recommended for the unpacking.**

The heat pump unit and the tumble dryer are delivered as one unit.

The machine is delivered complete with supporting feet.

The machine is delivered bolted onto the transport pallet and packed in a crate or box.

Remove packing from the machine.

Remove the screws and the two brackets between the machine and pallet.

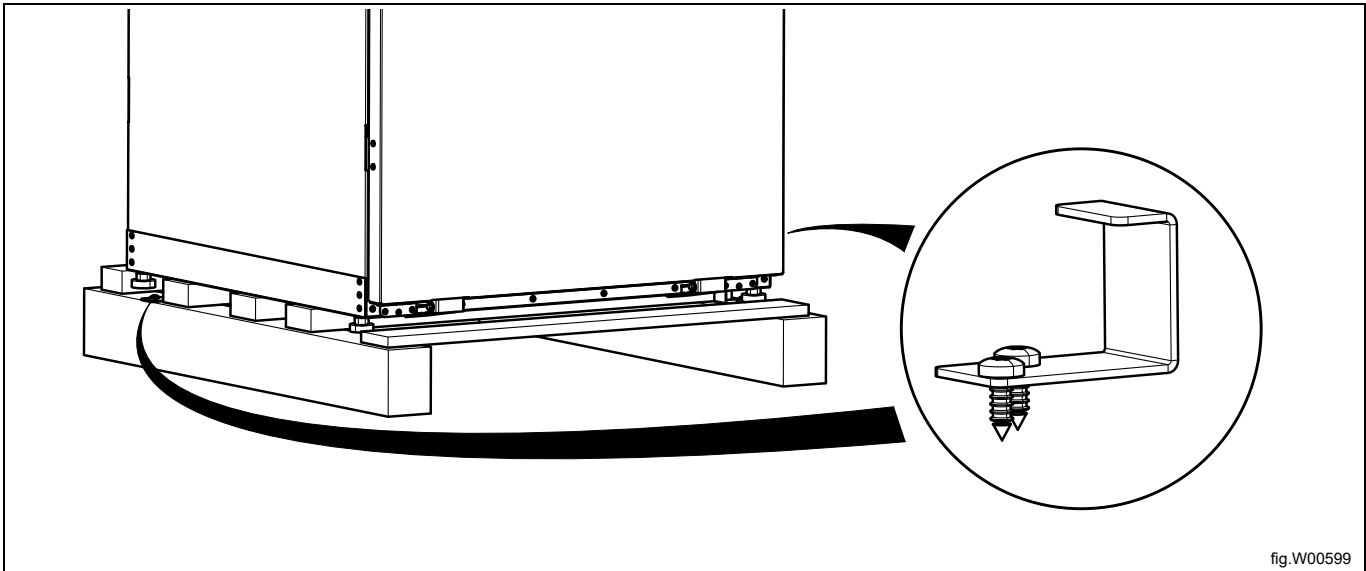


fig.W00599

Remove the machine from the pallet.

#### **Note!**

**When moving the machine, handle it with care. The drum has no transport clamps.**

**The heat pump unit must only be put down on the feet. It may be tilted a bit on the sides but not completely tipped over. This will damage the heat pump.**

Place the machine on its final position.

4.2 Recycling instruction for packaging

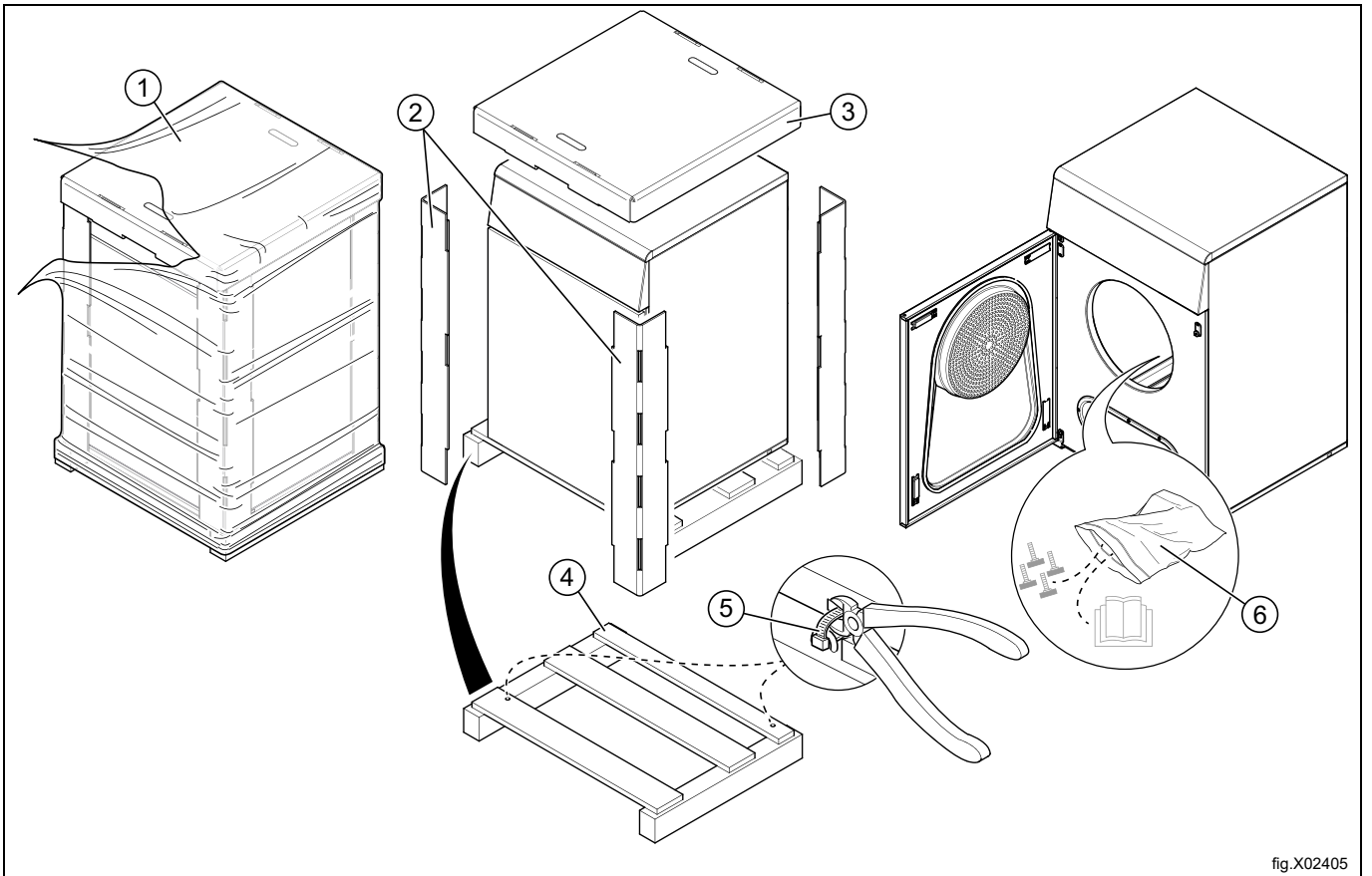


fig.X02405

Fig.	Description	Code	Type
1	Wrapping film	LDPE 4	Plastics
2	Corner protection	PS 6	Plastics
3	Cardboard packaging	PAP 20	Paper
4	Pallet	FOR 50	Wood
5	Cable Tie		Nylon
6	Plastic bag	PET 1	Plastics

### 4.3 Siting

The figure shows recommended distance to walls and/or other machines.

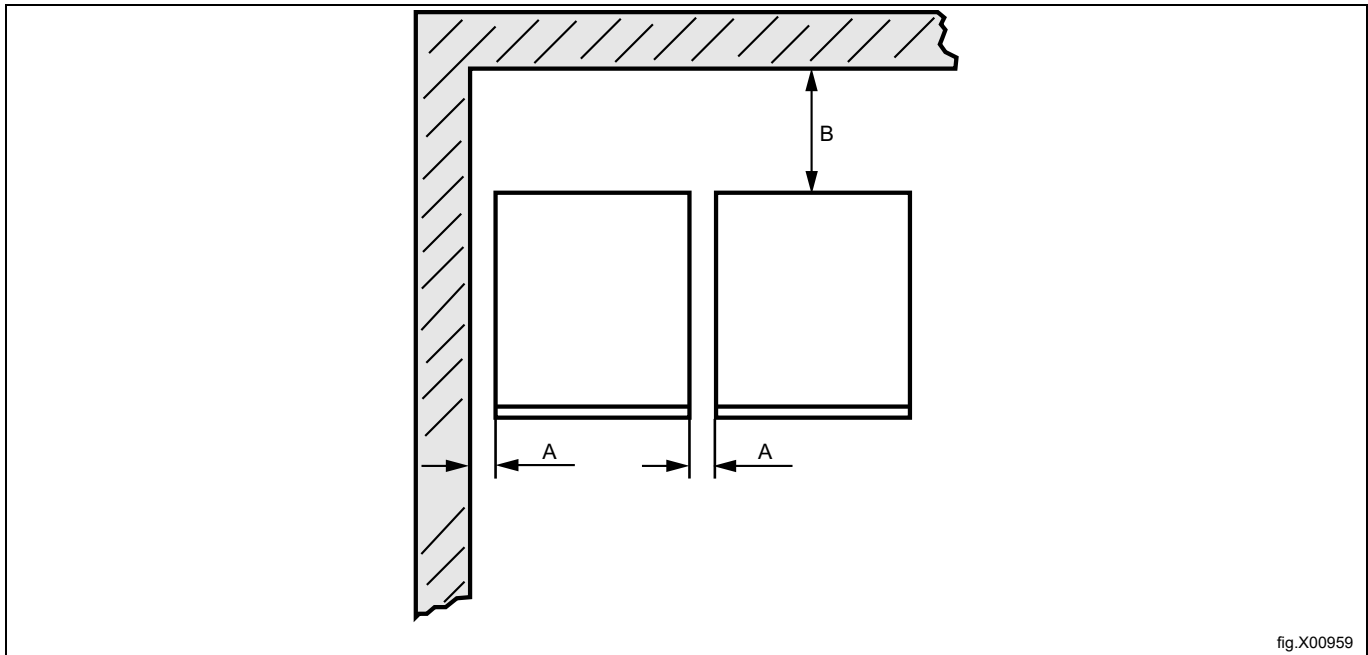


fig.X00959

#### Note!

The machine should be positioned so that there will be enough space for working, both for the user and service personnel.

Respecting the given recommendations will provide easy access for maintenance and service operations.

In case of space limitations, it is possible to install machines without respecting to the given recommendations. If so, keep in mind that it might be necessary to disconnect and move other machines to be able to reach and perform service on affected machine.

### 4.4 Drain connection (only for machines with heat pump)

Connect the drain to the heat pump unit.

#### Note!

The outlet condense water (4) and the cooling water (5) must be connected to separate outlets.

The hose (4) must be positioned over the water level in the floor drain.

#### Note!

The drain must be lower than the drain outlet from the heat pump unit. If not the water will flow back into the machine. Adjust with the feet.

The hoses shall hang in gentle arcs.

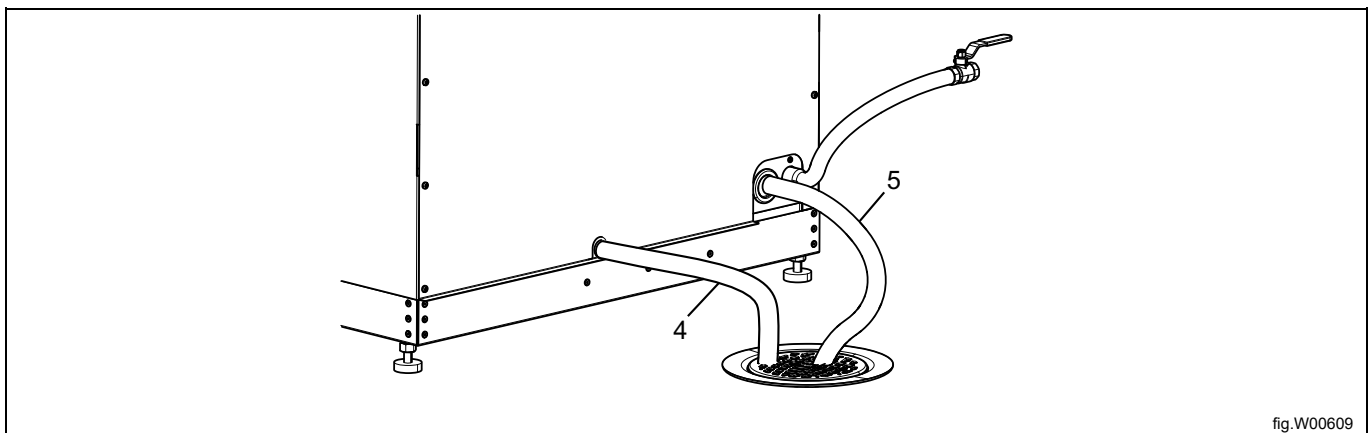


fig.W00609



### 4.5 Water connection (only for machines with heat pump)

All water intake connections to the machine should be fitted with manual shut-off valves and filters, to facilitate installation and servicing.

Water pipes and hoses should be flushed clean before installation.

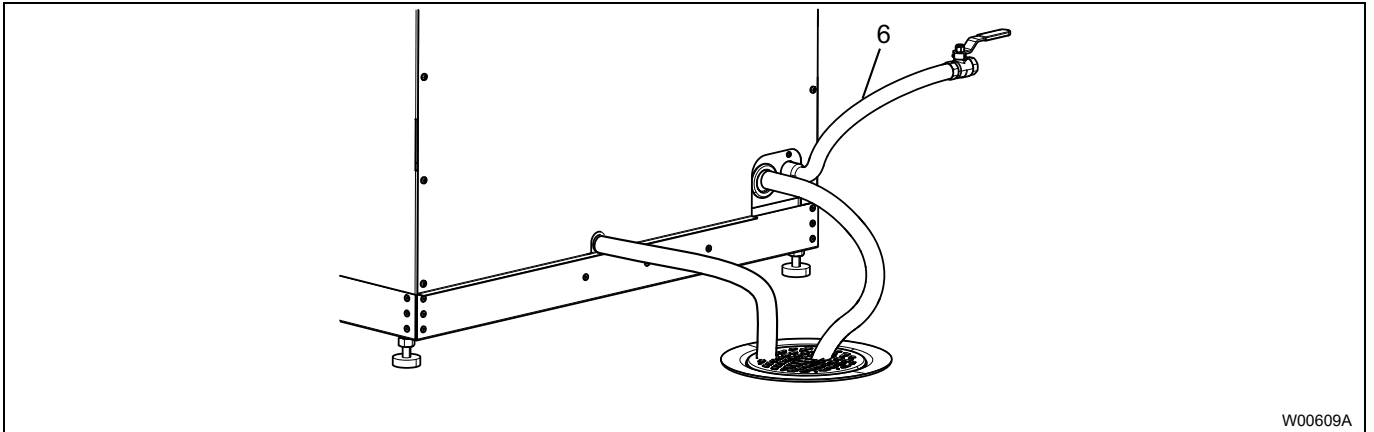
The machine shall be connected with new water hoses. Re-used water hoses must not be used.

Hoses are to be of an approved type and grade and comply with IEC 61770.

After installation hoses must hang in gentle arcs.

All connectors present on the machine must be connected.

Connect the water to the water cooling system (6).



W00609A

Water pressure:

**Note!**

If the water pressure is below the minimum value, the drying result can not be guaranteed for certain program.

### 4.6 Mechanical installation

If the machine is mounted on a base it needs to be fastened to the base.

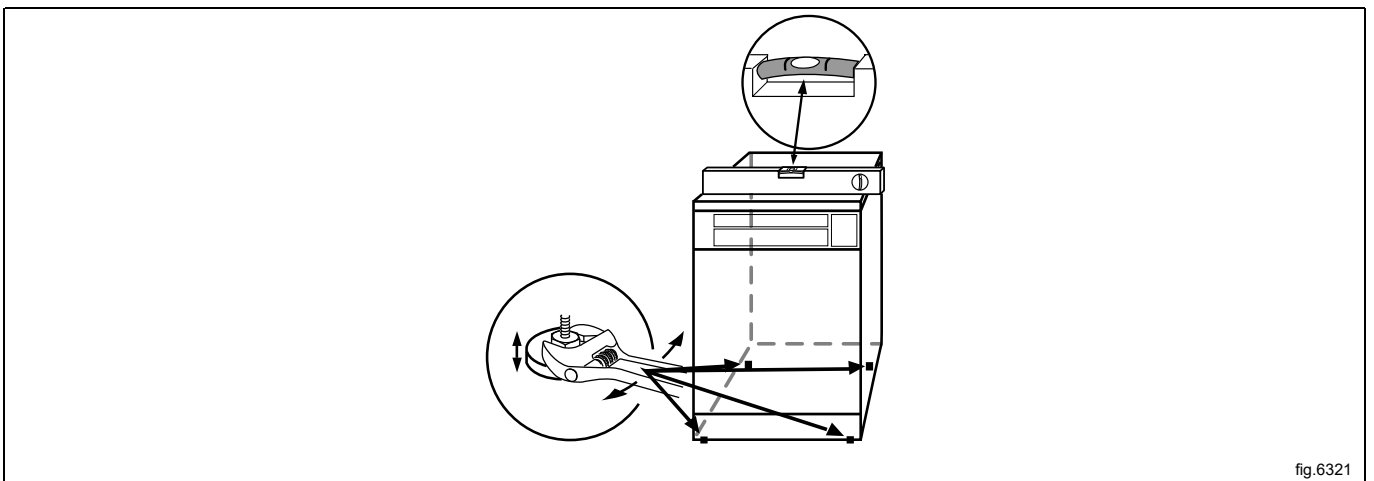


fig.6321

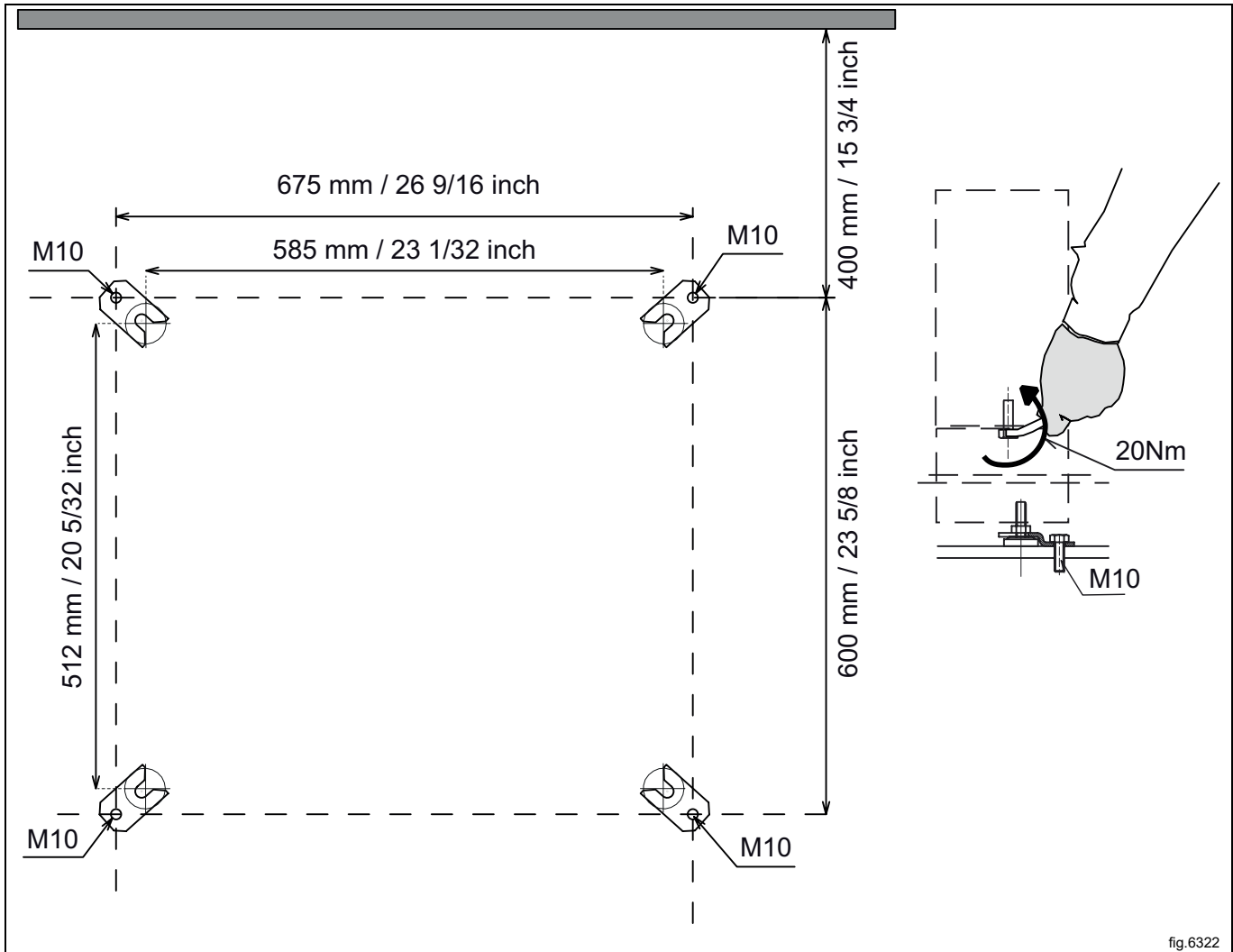
## 5 Marine installation

To ensure steadiness of the machine it is important to fasten the machine to the foundation.  
Fasten four fittings to the foundation using four x M10 set screws.

### Note!

The four fittings are not supplied with the machine and must be ordered as kit No. 487193544.

Fasten the machine to the fittings.



### Note!

Marine installation is not applicable for gas heated machines.

## 6 Evacuation system

### 6.1 Air principle

The fan creates low pressure in the machine, drawing air into the drum via the heating unit.

The heated air passes through the garments and the drum holes.

The air then flows out through a lint filter positioned in the door. After this, the air is evacuated through the fan and exhaust system.

#### Note!

**It is very important that the machine gets enough fresh air in order to get the best drying result.**

#### 6.1.1 For machines with heat pump

##### Ventilating the room

When the machine is in operation, the room temperature increases. Due to this, the room must have sufficient ventilation.

All sources introducing heat into the same room requires to be considered when dimensioning the ventilation. Heat sources could for example be: more tumble dryers, drying cabinets, washers, ironers, radiators, etc. The combination of several sources for heat introduction leads to an increased need for ventilation flow. Other factors may also influence the needed ventilation flow, such as climate zone, building parameters, room size, etc. For assistance with dimensioning necessary ventilation needs, contact authorized ventilation technician.

### 6.2 Fresh air

For maximum efficiency and the shortest possible drying time, it is important to ensure that fresh air is able to enter the room from the outside in the same volume as that is blown out of the room.

To avoid draught in the room it is important to place the air inlet behind the machine.

Provisions for adequate air supply: The area of the air inlet opening should be five times the size of the exhaust pipe area. The area of the inlet opening is the area through which the air can flow without resistance from the grating/slat-ted cover.

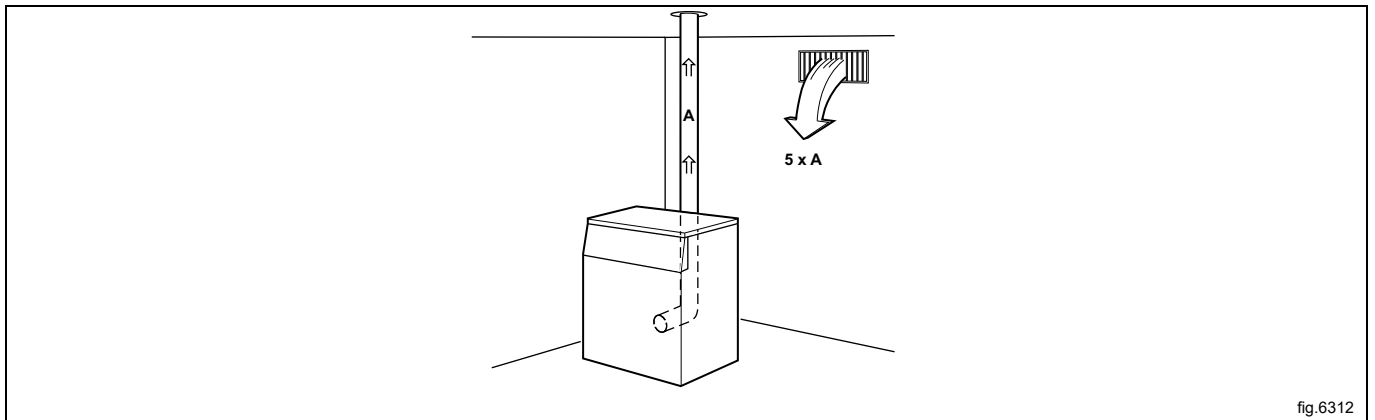


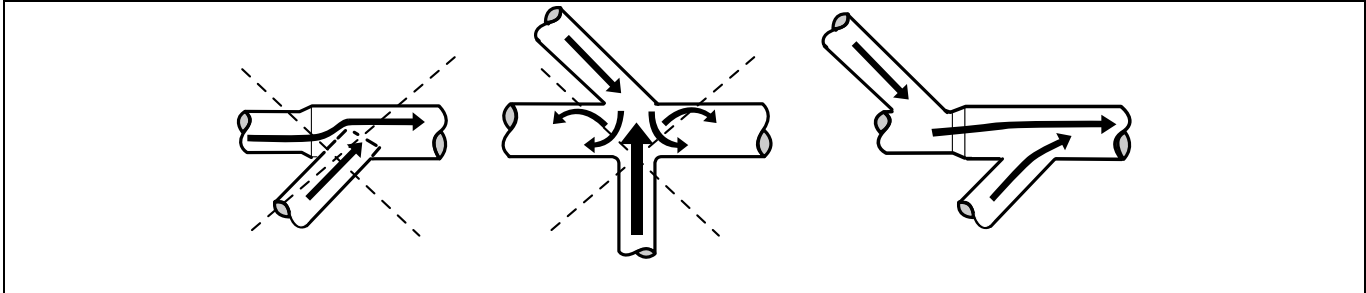
fig.6312

#### Note!

**Gratings/slat-ted covers often block half of the total fresh air vent area. Remember to take this into account.**

### 6.3 Exhaust duct

- Only rigid or flexible metal duct should be used for exhausting.
- Plastic ducting is not to be used.
- Recommended material for exhaust is galvanized steel.
- The duct is not to be assembled with screws or other fastening means that extend into the duct and catch lint.
- The exhaust air should not be vented into a wall, a ceiling, or a concealed space of building.
- The exhaust duct must lead clear of the building as condensation may cause frost damage to the building.
- The exhaust duct must lead to the outdoors.
- The exhaust duct must be placed in such a way that it is protected on the outside.
- The exhaust duct must be smooth on the inside (low air resistance).
- The exhaust duct must have gentle bends.



### 6.4 Shared exhaust duct

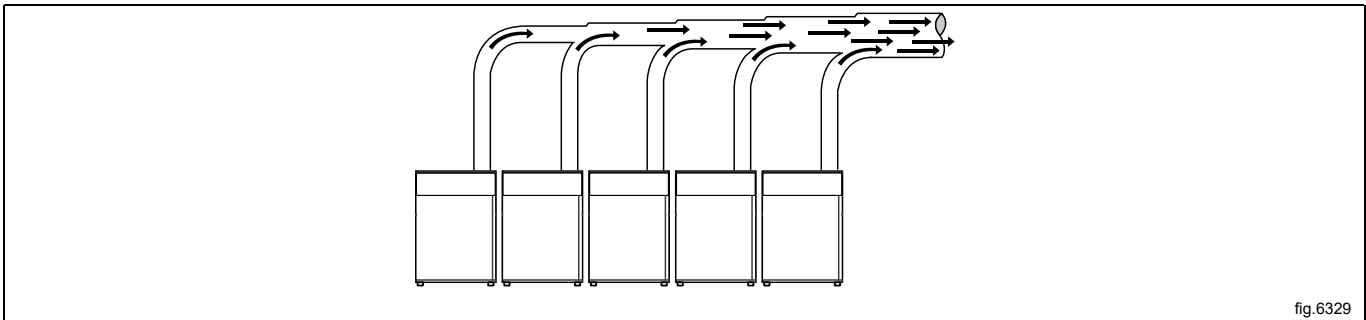


It is recommended that each machine is connected to a separate exhaust duct.

When several machines shall use the same exhaust duct the exhaust duct must increase after each machine. The recommended diameter increase progression is the one in the table.

If several machines are installed on the same exhaust pipe, it is recommended to adjust the airflow on the machines when all machines are started and running a program with no heat.

Please consider that unnecessarily large ducts create issues with the draught.



Number of machines		1	2	3	4	5	6	7	8	9	10
Exhaust duct	∅ mm	125	200	250	250	315	315	400	400	400	400
Recommended area of fresh air intake	m <sup>2</sup>	0.06	0.16	0.25	0.25	0.39	0.39	0.63	0.63	0.63	0.63
Minimum area of fresh air intake	m <sup>2</sup>	0.03	0.06	0.09	0.12	0.15	0.18	0.21	0.24	0.27	0.3



The exhaust duct diameter must not be reduced.

### 6.5 Exhaust dimensioning

It is important that the machine has correct air volume compared to each machines power.

If the air flow is smaller or larger this will result in a longer drying period.

If the outlet pipe is long or the ventilation is not properly designed we recommend to clean the outlet pipes periodically. Usually, longer ducts need more frequent cleaning.



The exhaust pipes shall be short in order for the machine to work in the best way.

All cover panels must be mounted in order for the machine to work in the best way.

### 6.6 Adjusting the dryer (not valid for machines with heat pump)

It is important that the machine has the correct air flow compared to each machines heat input. If the air flow is below the minimum, the machine will be forced to switch the heating off which will result in longer drying time.

An air flow above the needed is unnecessary and can result in a cold laundry room and noise from the piping and outlet and in extreme cases prolonged drying time

For brief evacuations and where there are high airflows, the tumble dryer must be adjusted to optimal flow. One way in which this can be done is by using an "Iris valve", a valve specially designed to regulate airflow.

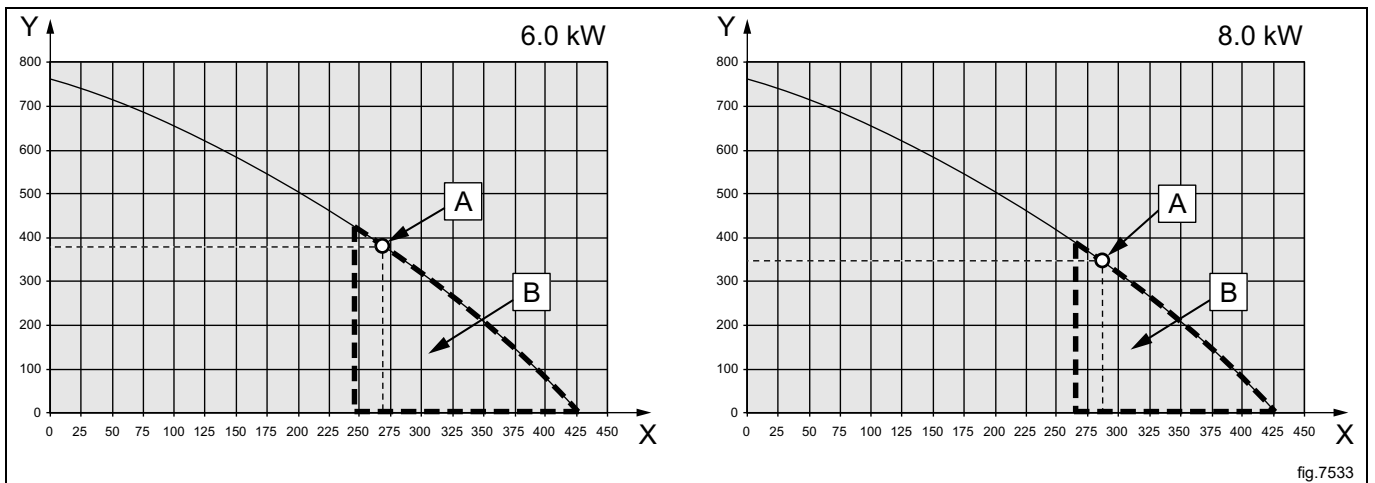
Effect kW	Optimum air volume m <sup>3</sup> /h	Corresponding back pressure Pa
6.0	270	380
8.0	290	350

#### Air volume

The curves shows the characteristics of the dryer. By measuring or calculating the back pressure of the outlet pipe it is hereby possible to find the corresponding air flow into the room and through the dryer and exhaust.

A = Optimum air volume

B = Working area

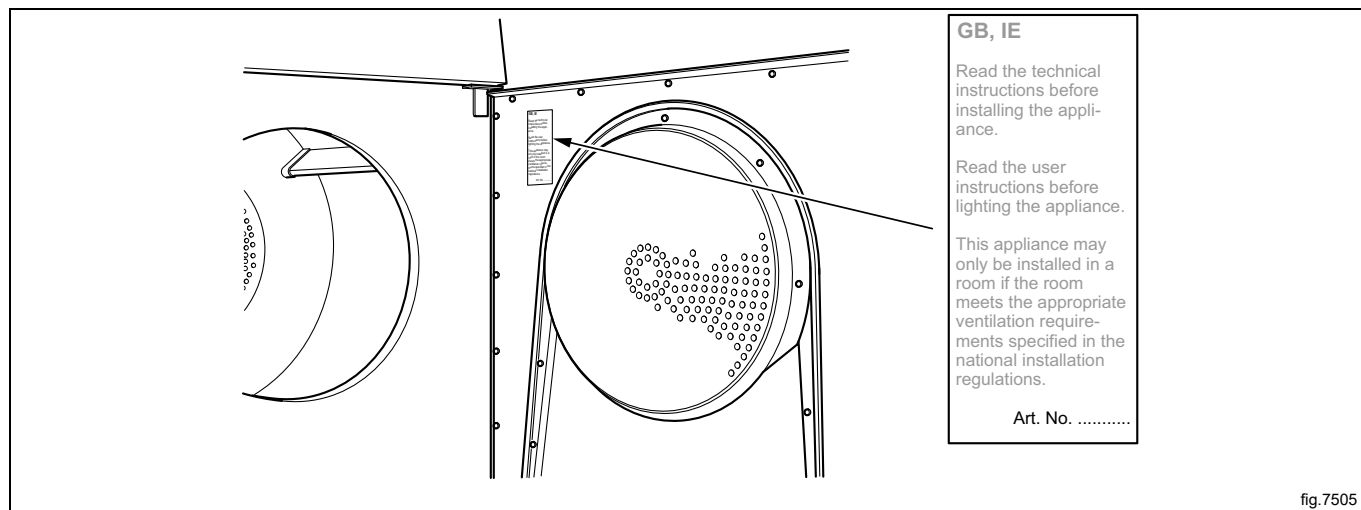


## 7 Gas connection

### 7.1 Fasten the label

Before installing the machine fasten the label "Read the user instructions" on the inside of the door in a suitable place and at the front panel.

The label must have the correct country code, choose the correct label from the gas kit.



### 7.2 General



May only be carried out by qualified personnel.



Mount a shut-off valve upstream from the machine.

The factory nozzle pressure setting corresponds to the fuel value given on the data label.

Check that the nozzle pressure and fuel value correspond with the values in the gas tables on the following pages. If not, contact the supplier.

Bleed the pipe system before connecting the machine.

#### **Note!**

**After connection all joints must be checked. There must not be any leaks.**

### 7.3 Gas installation

This gas appliance is built to run on natural gas (group I2H and I2E), commonly identified by GNH.

This default gas appliance is built to be installed at not over than 610 m (2001 ft) high altitude otherwise a kit for high altitude must be installed to the machine. For the kit No. please refer to the spare parts list.

The data label shows the injector size and the injector pressure and the countries that use this gas quality:

AL	Albania	IE	Ireland
AT	Austria	IS	Iceland
BE	Belgium	IT	Italy
BG	Bulgaria	LT	Lithuania
CH	Switzerland	LU	Luxembourg
CY	Cyprus	LV	Latvia
CZ	Czech Republic	MK	Republic of Macedonia
DE	Germany	MT	Malta
DK	Denmark	NL	Netherlands
EE	Estonia	NO	Norway
ES	Spain	PL	Poland
FI	Finland	PT	Portugal
FR	France	RO	Romania
GB	United Kingdom	SE	Sweden
GR	Greece	SI	Slovenia
HR	Croatia	SK	Slovakia
HU	Hungary	TR	Turkey

You should check the kind of energy gas that is available in your place and check high altitude of the machine located place.

There are many gas types of the same kind but the machine should be equipped with different kinds of nozzles depending on the gas type.

### 7.4 Table of pressure and adjustment

#### 6 kW

Liquied petroleum gases	Gas category	Inlet pressure (mbar)	Nozzle pressure (mbar)	Nozzle size (∅ mm)	Air reducing/restriction plate (mm)	Label number	May be available in following countries
Butane mixture / Propane mixture	3+	28-30 / 37	No regulation	1.30	487042217	490375681	BE, CH, CY, CZ, ES, FR, GB, GR, IE, IT, LT, LU, LV, PT, SK, SI
Butane	3B/P	30, 37, 50	28	1.30	487042217	490375682	BE, CY, DK, EE, FI, FR, GB, HU, IT, LT, NL, NO, SE, SI, SK, RO, HR, TR, BG, IS, LU, MT, PL, AT, CH, DE, SK
Propane	3P	30, 37, 50	28	1.40	487042217	490375683	FI, NL, RO, BE, CH, CZ, IE, IT, ES, FR, GR, GB, HR, LT, NL, PL, PT, SI, SK, AT, CH, DE, NL, LU, SK

Natural gas	Gas category	Inlet pressure (mbar)	Nozzle pressure (mbar)	Nozzle size (ø mm)	Air reducing/restriction plate (mm)	Label number	May be available in following countries
	2H, 2E	20	8	2.35	No	Default	AT, BG, CZ, DK, EE, FI, GR, HR, HU, IS, IE, IT, LV, LT, NO, PT, RO, SK, SI, ES, SE, CH, TR, GB, DE, PL, LU
	2E+	20 / 25	No regulation	1.90	No	490375679	BE, FR
	2E (G20)	20	8	2.35	No	490375680	NL
	2L (G25)	25	12				
	2(43.46-45.3 MJ/m <sup>3</sup> (0 °C)) (G25.3)	25	12				
	2LL (G25)	20	12	2.35	No	490375680	DE

Town gas	Gas category	Inlet pressure (mbar)	Nozzle pressure (mbar)	Nozzle size (ø mm)	Air reducing/restriction plate (mm)	Label number	May be available in following countries
	1a	8	4.5	3.95	487042239	Default	DK, IT
	1b	8	3.5	3.95	487042239	490376101	SE

**8 kW**

Liquied petroleum gases	Gas category	Inlet pressure (mbar)	Nozzle pressure (mbar)	Nozzle size (ø mm)	Air reducing/restriction plate (mm)	Label number	May be available in following countries
Butane mixture / Propane mixture	3+	28-30 / 37	No regulation	1.45	487042217	490375687	BE, CH, CY, CZ, ES, FR, GB, GR, IE, IT, LT, LU, LV, PT, SK, SI
Butane	3B/P	30, 37, 50	28	1.45	487042217	490375688	BE, CY, DK, EE, FI, FR, GB, HU, IT, LT, NL, NO, SE, SI, SK, RO, HR, TR, BG, IS, LU, MT, PL, AT, CH, DE, SK
Propane	3P	30, 37, 50	28	1.52	487042217	490375689	FI, NL, RO, BE, CH, CZ, IE, IT, ES, FR, GR, GB, HR, LT, NL, PL, PT, SI, SK, AT, CH, DE, NL, LU, SK

Natural gas	Gas category	Inlet pressure (mbar)	Nozzle pressure (mbar)	Nozzle size (ø mm)	Air reducing/restriction plate (mm)	Label number	May be available in following countries
	2H, 2E	20	8	2.65	No	Default	AT, BG, CZ, DK, EE, FI, GR, HR, HU, IS, IE, IT, LV, LT, NO, PT, RO, SK, SI, ES, SE, CH, TR, GB, DE, PL, LU
	2E+	20 / 25	No regulation	2.20	No	490375685	BE, FR
	2E (G20)	20	8	2.65	No	490375686	NL
	2L (G25)	25	12				
	2(43.46-45.3 MJ/m <sup>3</sup> (0 °C)) (G25.3)	25	12				
	2LL	20	12	2.65	No	490375686	DE



Town gas	Gas category	Inlet pressure (mbar)	Nozzle pressure (mbar)	Nozzle size (∅ mm)	Air reducing/restriction plate (mm)	Label number	May be available in following countries
	1a	8	4.5	4.45	487042240	Default	DK, IT
	1b	8	3.5	4.45	487042240	490376103	SE

## 7.5 Test run

### Note!

**Before test run the machine, ensure that the air flow/static back pressure has been adjusted accorded to the "Evacuation system" section. Adjust the air flow if necessary.**

- Loosen the measuring branch screw (2) 1/4 turn; connect a manometer to the measuring branch.
- Connect the power to the machine and select a program with heat.
- Start the machine.
- Check that the nozzle pressure is correct according to the gas type, see "Table of pressure and adjustment".
- If the nozzle pressure should be adjusted:
  - Demount the cover screw (3).
  - Turn the screw (4). Clockwise: increasing nozzle pressure.
  - Turn the screw (4). Counter Clockwise: decreasing nozzle pressure.
- Check that the gas is burning evenly. The blue flame on the burner is preferred.

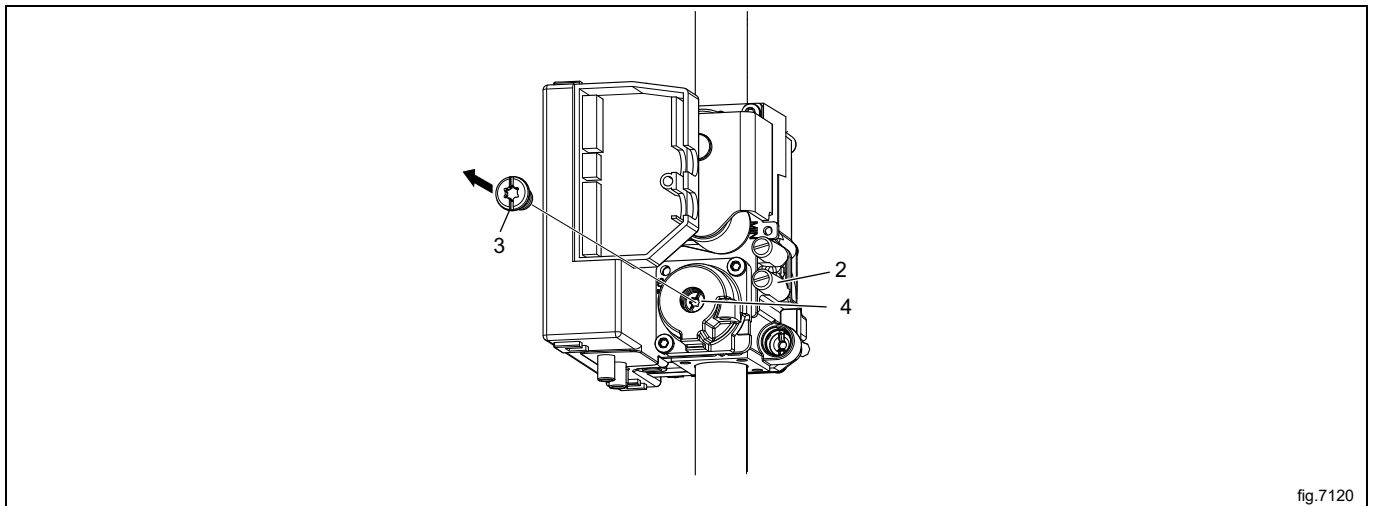


fig.7120

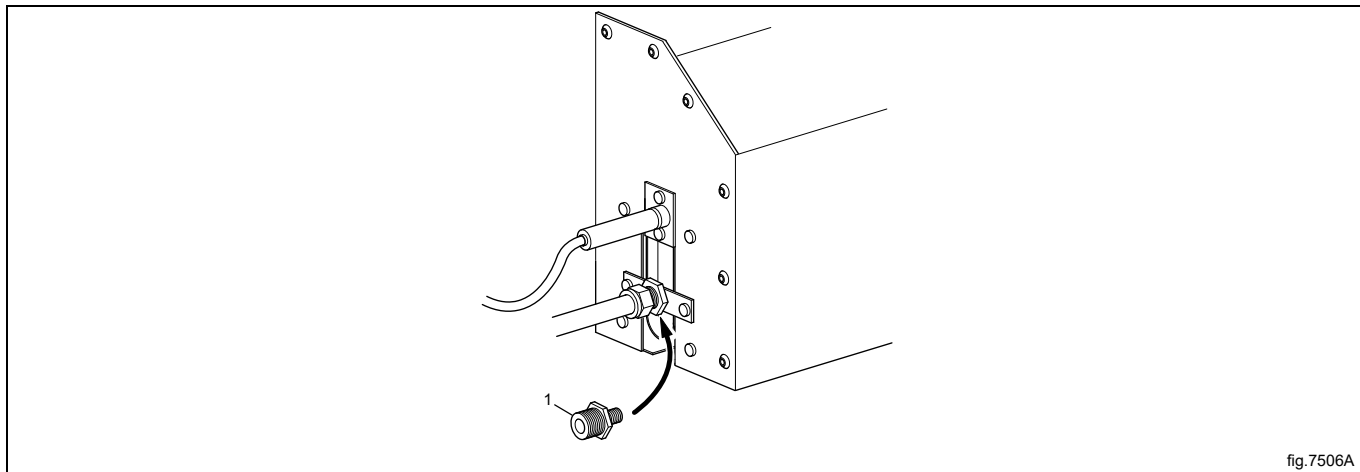
- Remount the cover screw (3).
- Remove the manometer and tighten the screw (2) when the adjustments are done.

### Note!

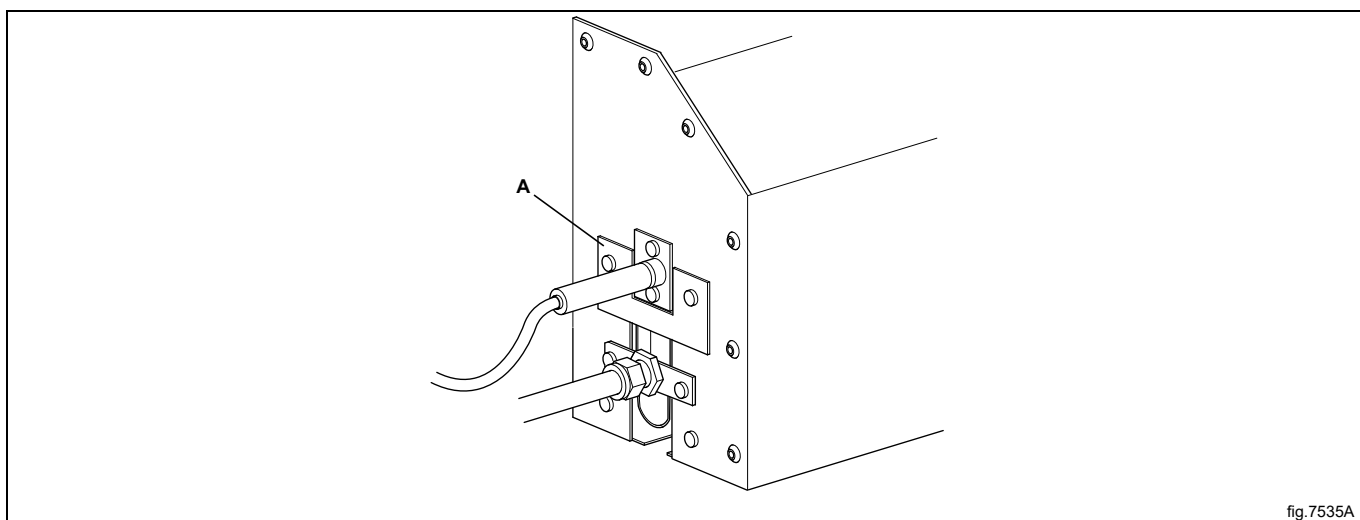
**After connection all joints must be checked. There must not be any leaks.**

## 7.6 Converting instructions

- Disconnect the power to the machine.
- Demount the back panel.
- Remove the nozzle (1).
- Mount the new supplied nozzle.



- If converting to LPG, also mount the air reducing plate (A).



- Loosen the measuring branch screw (2) 1/4 turn; connect a manometer to the measuring branch.
- Connect the power to the machine and select a program with heat.
- Start the machine.
- Set the correct nozzle pressure according to the table on setting screw (4) under the cover screw (3).

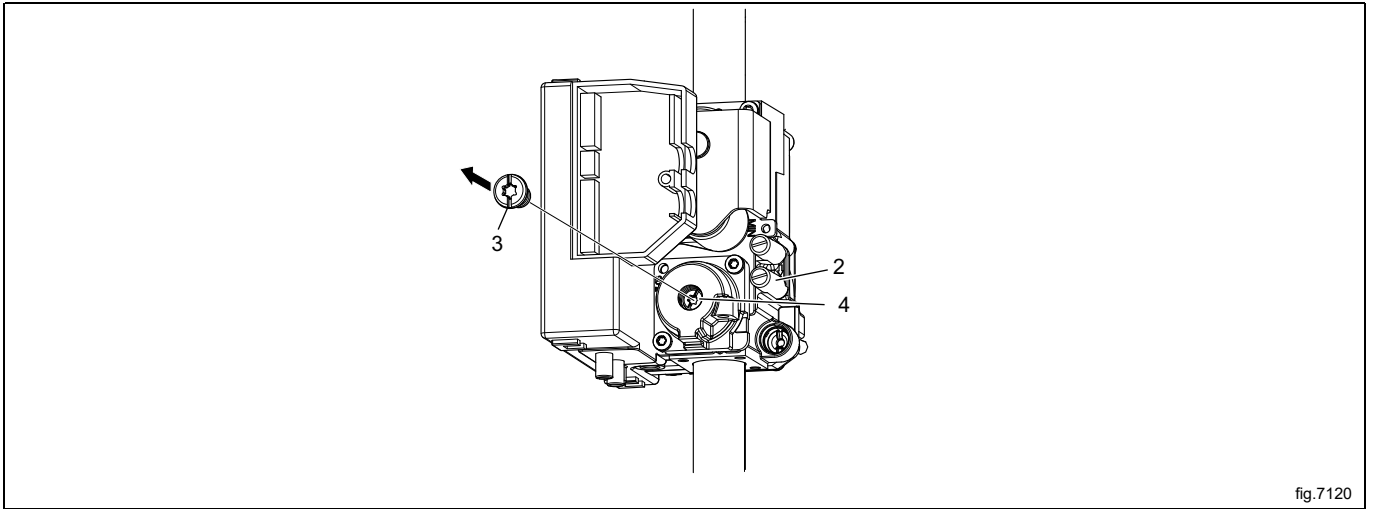


fig.7120

- Check that the gas flame burns evenly.
- Mount the cover screw (3).
- Tighten the screw (2) when the adjustments are done.
- Remount the back panel.

**Note!**

**After connection all joints must be checked. There must not be any leaks.**

## 7.7 Data label

When the machine is to be converted to another gas type, the data label at the rear of the machine must be updated in order for the data to be correct.

Place the data label enclosed in the conversion kit on top of the data label as shown below. If there are more than one data label, select the label with the correct country code and gas type.

The diagram illustrates the correct placement of a conversion kit data label on top of the machine's main data label. The main label contains the following information:

Product no.: WXXXXX  
 9868XXXXXX  
 Serial no.: 09XXX / 99XXXXX  
 OC: 09XXXXXX Date: 10XX  
 Program: 432XXXXXX, 5XXX  
 Type: WN3...WN3XXXX  
 Wiring diag: 432XXXXXXX

Product no.: WXXXXX  
 9868XXXXXX  
 Serial no.: 09XXX / 99XXXXX  
 OC number: 09XXXXXX Date(YMM): 10XX  
 Capacity: X kg  
 Type/Model: WN3...WN3XXXX  
 Voltage: 380 - 400V 3N ~ 50Hz  
 Rated Input: 1,6kW  
 10A

ΣQn(Hs) 8 KW PIN NO. 2575DM30490  
 BE, CH, CY, CZ, ES, FR, GR, IE, IT,  
 LT, LU, LV, PT, SK, SI : I3+ (28-30/37MBAR)  
 GB : I3+ (28-30/37MBAR) PIN NO. 359BQ586  
 MANIF. PRESS.: 28-30/37MBAR INJECTOR: Ø 1.45 MM  
 LPG GAS: G30/G31  
 (INLET PRESS.: 28-30/37 MBAR, CAL. VAL. 125810/95650 KJ/M3)

ΣQn(Hs) 8 KW PIN NO. 2575DM30490  
 AT, BG, CZ, DK, EE, FI, GR, HR, HU, IS, IE, IT, LV,  
 LT, NO, PT, RO, SK, SI, ES, SE, CH, TR : I2H (20MBAR)  
 DE, PL, LU : I2E (20/25MBAR)  
 GB : I2H (20MBAR) PIN NO. 359BQ586  
 MANIF. PRESS.: 8 MBAR INJECTOR: Ø 2.65 MM  
 NATURAL GAS : G20  
 (INLET PRESS.: 20-25 MBAR, CAL. VAL. 37780 KJ/M3)

**For safety reasons use only genuine spare parts.**  
 Made in Sweden  
 Electrolux Professional AB  
 341 80 Ljungby, Sweden

Product no.: WXXXXX  
 9868XXXXXX  
 Serial no.: 09XXX / 99XXXXX  
 OC: 09XXXXXX Date: 10XX  
 Program: 432XXXXXX, 5XXX  
 Type: WN3...WN3XXXX  
 Wiring diag: 432XXXXXXX

## 8 Electrical connection

### 8.1 Electrical installation



The electrical installation may only be carried out by qualified personnel.



Machines with frequency-controlled motors can be incompatible with certain types of earth leakage circuit breaker. It is important to know that the machines are designed to provide a high level of personal safety, which is why items of external equipment such as earth leakage circuit breakers are not necessary but is recommended. If you still want to connect your machine across an earth leakage circuit breaker, please remember the following:

- contact a skilled, authorised installation company to ensure that the appropriate type of breaker is chosen and that the dimensioning is correct
- for maximum reliability, connect only one machine per earth leakage circuit breaker
- it is important that the earth wire is properly connected.



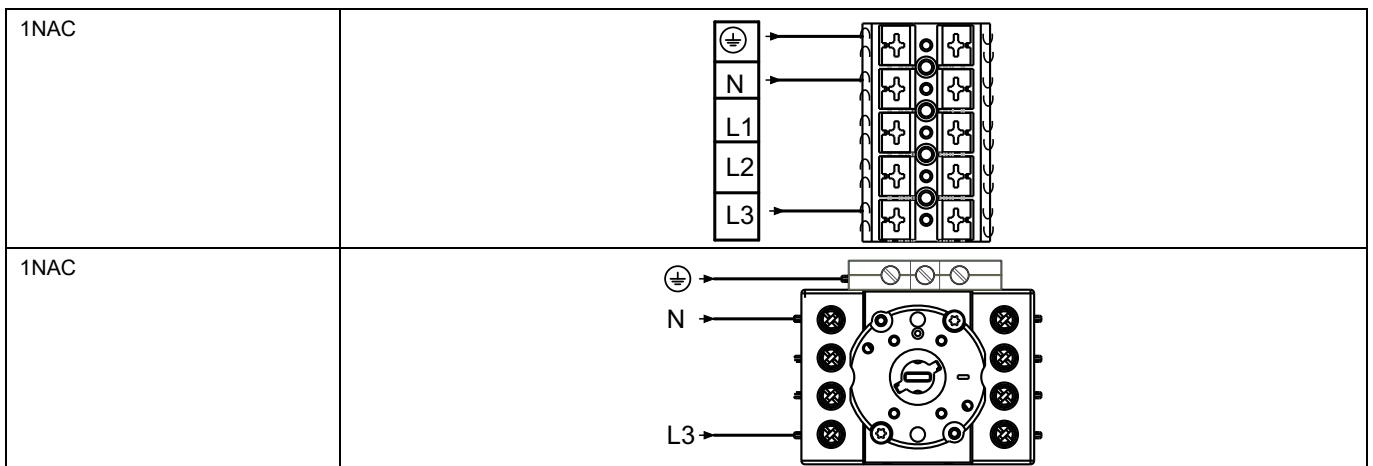
In instances where the machine is not equipped with any multi-pole switch, one taking from local resource must be installed beforehand.

In accordance with wiring rules: At least mount a multi-pole switch/breaker (BK) prior to the machine to facilitate installation and service operations.

The connecting cable shall hang in a gentle curve.

### 8.2 Single-phase connection

Demount the cover panel from the supply unit. Connect the earth and other wires as shown.

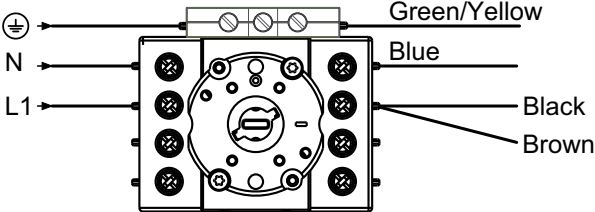
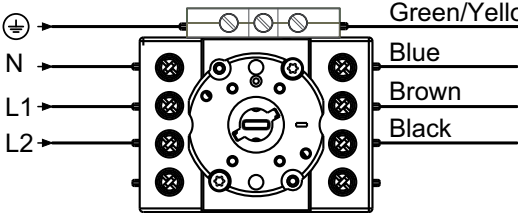
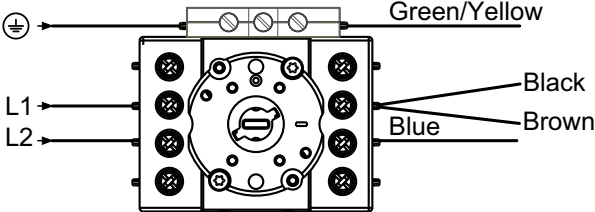


When the installation is completed remount the cover panel and check:

- That the drum is empty.
- That the machine operates by connecting the power to the machine and start a program with heat.

### Machines with heat pump

Demount the cover panel from the supply unit. Connect the earth and other wires as shown.

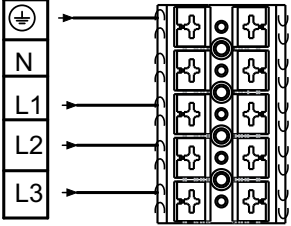
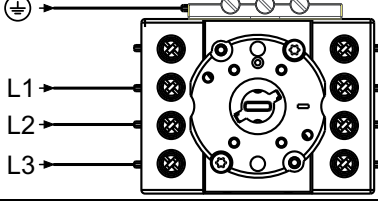
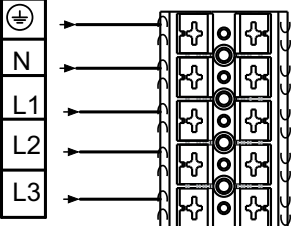
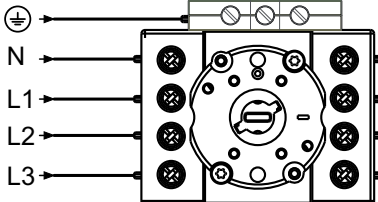
<p>1NAC 220–240 The machine is delivered according to this figure.</p>	
<p>2NAC 380–415 The machine can also be connected according to this figure.</p>	
<p>2AC 220–240 The machine can also be connected according to this figure.</p>	

When the installation is completed remount the cover panel and check:

- That the drum is empty.
- That the machine operates by connecting the power to the machine and start a program with heat.

### 8.3 Three-phase connection

Demount the cover panel from the supply unit. Connect the earth and other wires as shown.

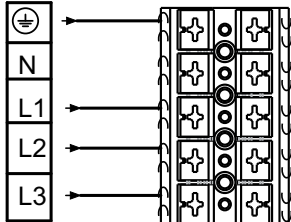
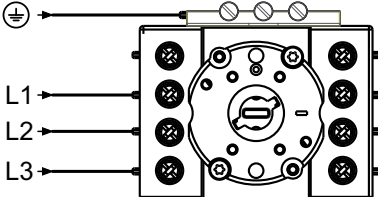
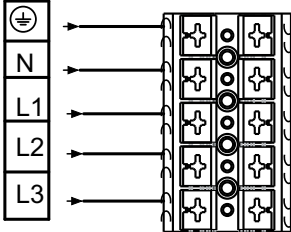
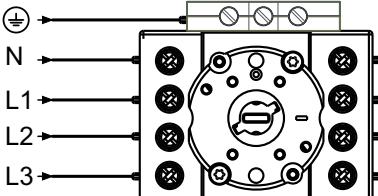
3AC	
3AC	
3NAC	
3NAC	

When the installation is completed remount the cover panel and check:

- That the drum is empty.
- That the machine operates by connecting the power to the machine and start a program with heat.

**Machines with heat pump**

Demount the cover panel from the supply unit. Connect the earth and other wires as shown.

3AC	 A vertical terminal block with four rows. The leftmost column has terminals labeled with a ground symbol (⊕), 'N', 'L1', 'L2', and 'L3'. Arrows point from these labels to the corresponding terminals. The terminal block has two columns of terminals, with the left column containing the labeled terminals and the right column containing unlabeled terminals.
3AC	 A circular terminal block with a central screw terminal. The left side has terminals labeled with a ground symbol (⊕), 'L1', 'L2', and 'L3'. Arrows point from these labels to the corresponding terminals. The right side has terminals with a diagonal hatching pattern.
3NAC	 A vertical terminal block with five rows. The leftmost column has terminals labeled with a ground symbol (⊕), 'N', 'L1', 'L2', and 'L3'. Arrows point from these labels to the corresponding terminals. The terminal block has two columns of terminals, with the left column containing the labeled terminals and the right column containing unlabeled terminals.
3NAC	 A circular terminal block with a central screw terminal. The left side has terminals labeled with a ground symbol (⊕), 'N', 'L1', 'L2', and 'L3'. Arrows point from these labels to the corresponding terminals. The right side has terminals with a diagonal hatching pattern.

When the installation is completed remount the cover panel and check:

- That the drum is empty.
- That the machine operates by connecting the power to the machine and start a program with heat.



## 8.4 Electrical connections

Electrical connections					
Heating alternative	Main voltage	Hz	Heating power kW	Total power kW	Recommended fuse A
Electric heated	220–240V 1/1N~	50/60	6.0/8.0	6.4/8.4	32/50
	220–240V 3~	50/60	6.0/8.0	6.4/8.4	20/25
	380-415V 3N/3~	50/60	6.0/8.0	6.4/8.4	10/16
	440V 3~	60	6.0/8.0	6.4/8.4	10/16
	480V 3~	60	6.0/8.0	6.4/8.4	10/16
	115V 3~	60	4.1	4.5	25
Gas heated	220-480V 1/1N/3/3N~	50/60	1	0.4	10

1. Total power and recommended fuse does not depend on the heating power in those cases.

Electrical connections					
Heating alternative	Main voltage	Hz	Heating power kW	Total power kW	Recommended fuse A
Machines with heat pump	220-240V 1N~	50	1	2.3	13
	380-415V 3N~	50	1	2.5	10

1. Total power and recommended fuse does not depend on the heating power in those cases.

### 8.5 Functions for I/O-cards

The electrical schematic can be one of the following:

#### 8.5.1 Central payment (2J)

To start the machine from a central payment system, the payment system must transmit a start pulse 300–3000 ms (500 ms is recommended) with a minimum pause of 300 ms (500 ms is recommended) between two pulses. The start pulse can be either 230V or 24V. In order to receive a feedback signal once the machine has started, 230V or 24V must be connected to connection 19. The feedback signal on connection 18 remains active (high) during the entire program.

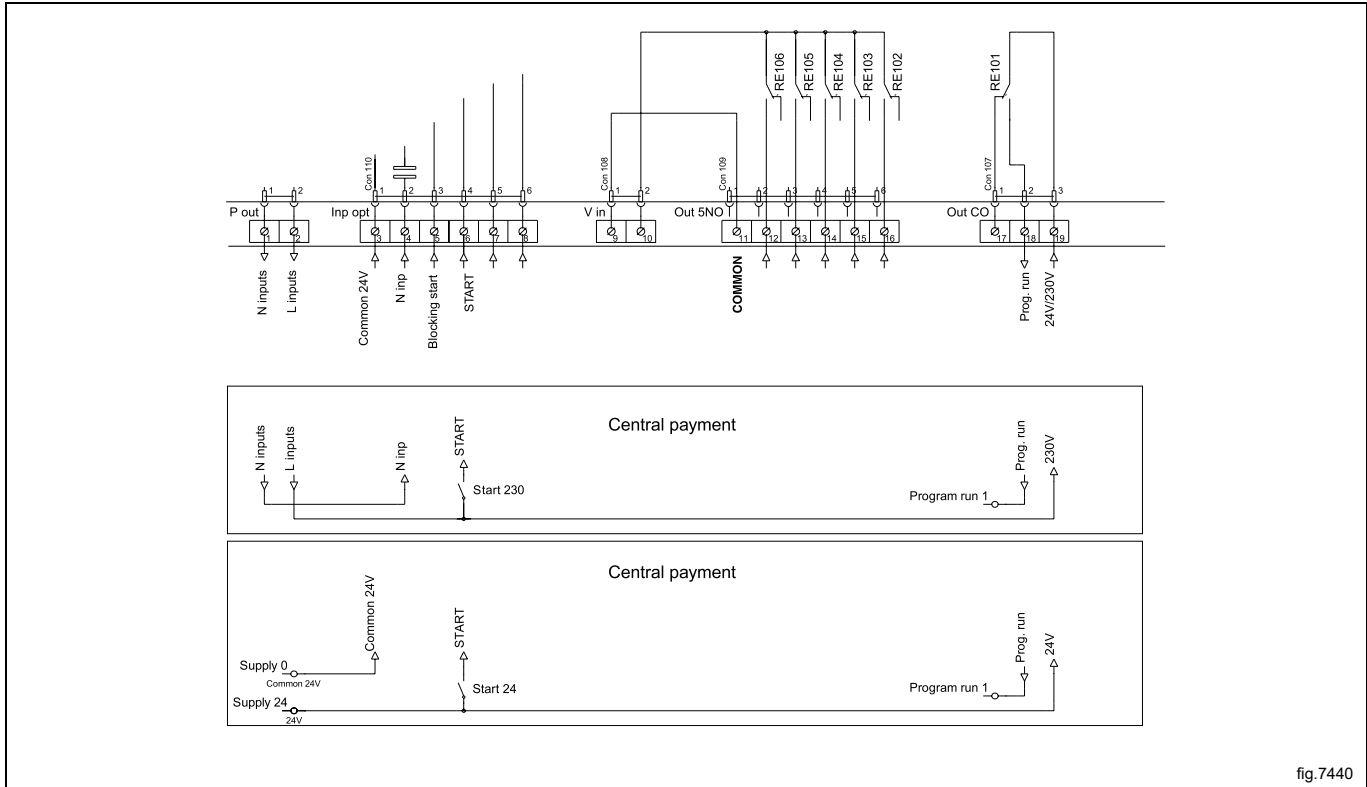


fig.7440

### 8.5.2 Central payment (2J)

The central payment or booking system shall transmit an active (high) signal to the machine once permission has been granted to start the machine. The signal must remain active (high) during drying. When the signal gets inactive (low) the machine will abort ongoing program and enter cooling. The signal can be either 230V or 24V. In order to receive a feedback signal once the machine has started, 230V or 24V must be connected to connection 19. The feedback signal remains active (high) during the entire program.

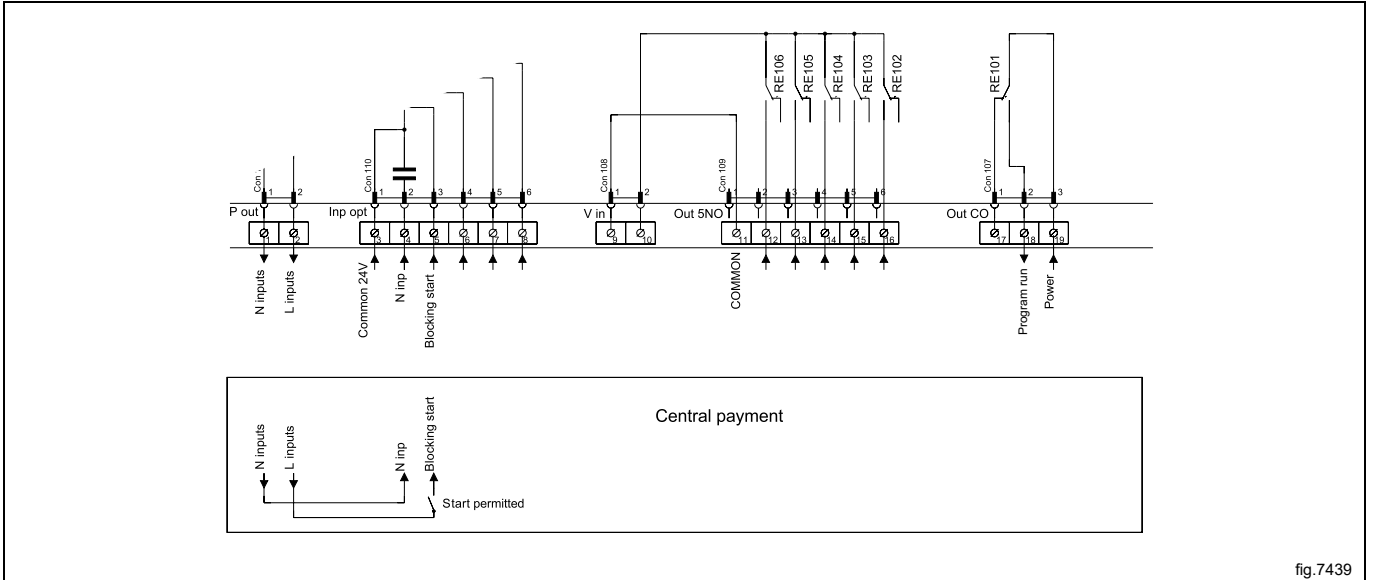


fig.7439

### 8.5.3 External coin meter/Central payment (2K)

The signal received from external coin meters must be a pulse between 300–3000 ms (500 ms is recommended) with a minimum pause of 300 ms (500 ms is recommended) between two pulses.

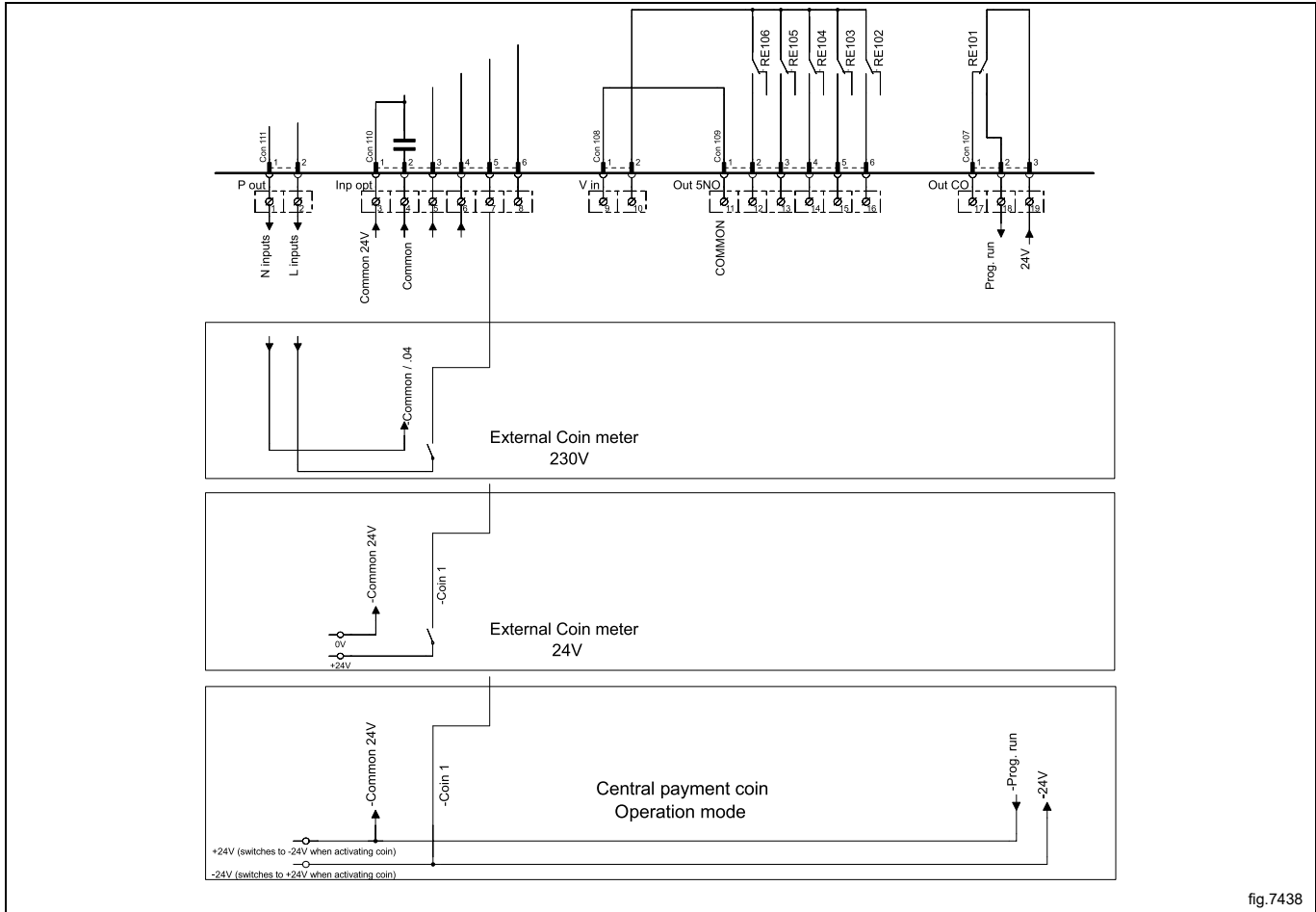
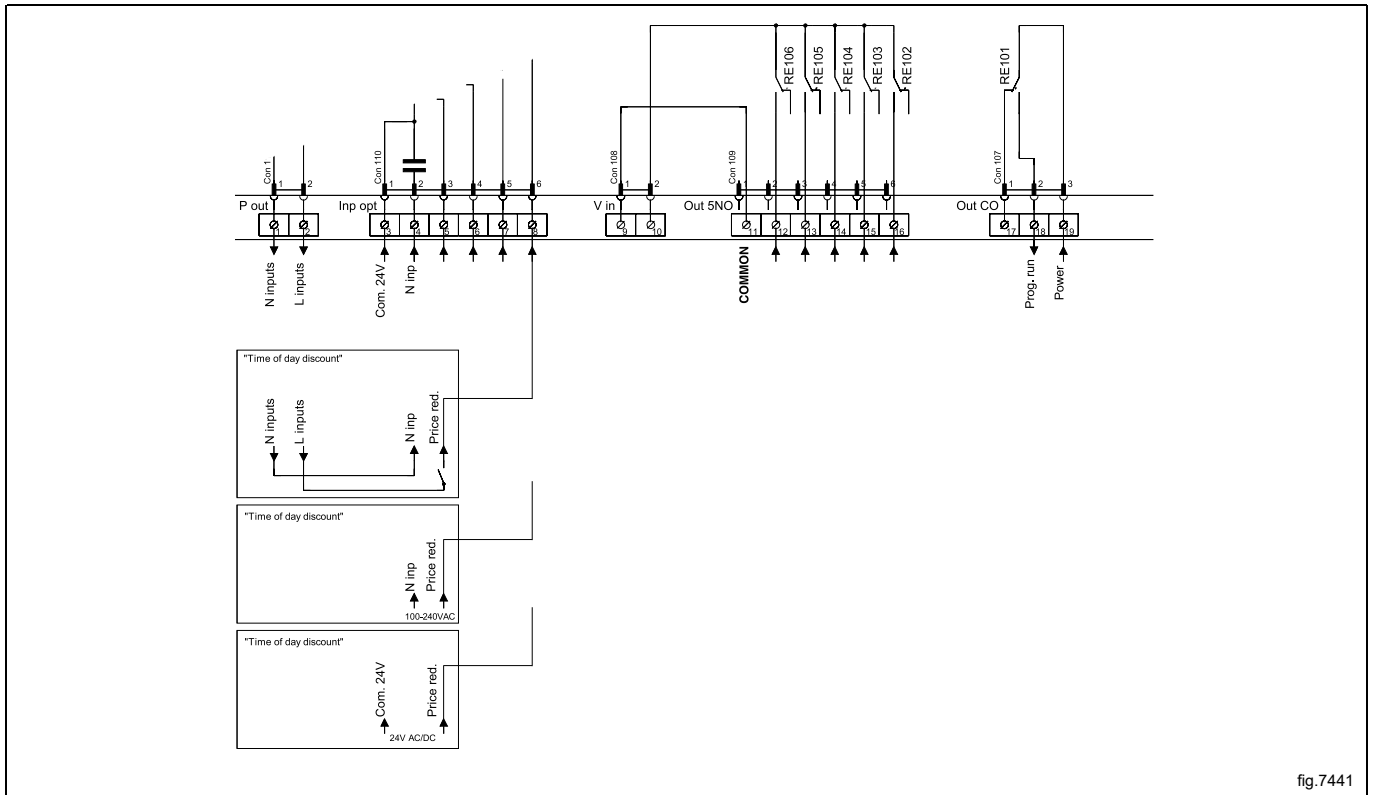


fig.7438

### 8.5.4 Price reduction (2K)

By maintaining an activated (high) signal on connection 5 ("Price red"), the price of the program can be reduced. This function has a number of uses, including providing reductions during a specific period of the day. Whilst the signal remains active (high), the price of the program is reduced (or the time is increased on time programs), by the percentage entered in the price programming menu.



## 8.6 Option

### 8.6.1 External connection 100 mA

A special connection terminal is located on the connection console. This connection can be used as external control of a fan or a condensing unit.

#### 3AC

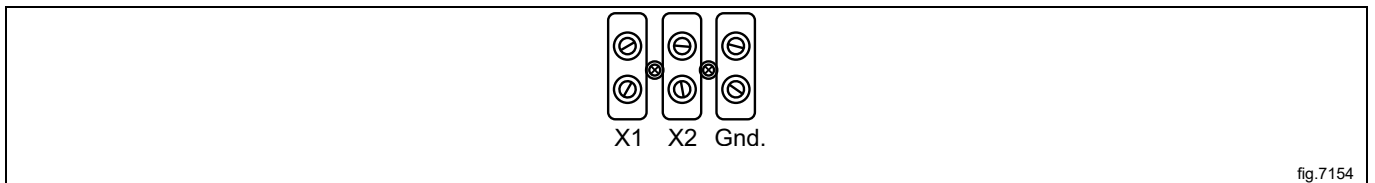
The terminal for external control is equipped with 220–240V max. 100 mA and is intended solely for the operation of a contactor.

Max. connection 100 mA.

#### 3NAC or 1AC/1NAC

The maximum connection is 1.25A / 230V AC.

Gnd. must not be used for earthing of external board.



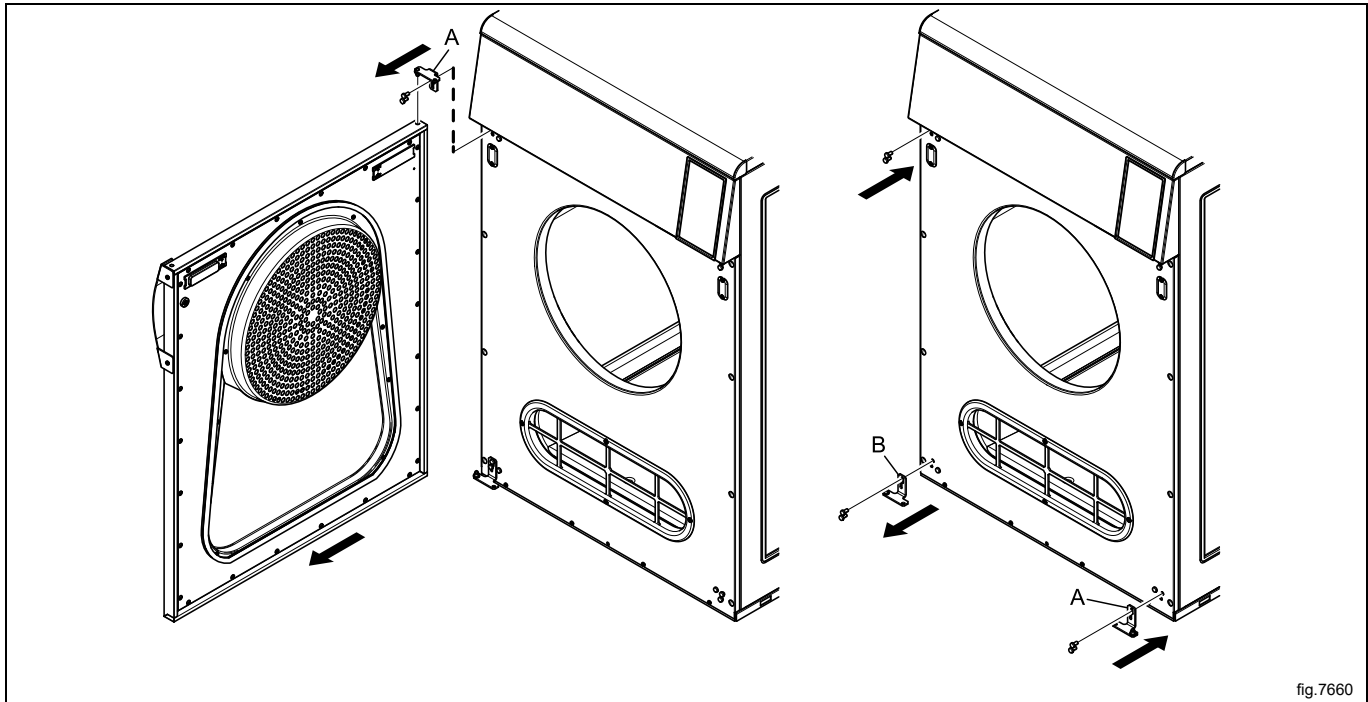
## 9 Reversing the door

Disconnect the power to the machine.

Demount the hinge (A) and refit the screws into the same holes in order to secure the panel on the back. Mount the hinge (A) at the bottom of the opposite side.

Demount the door by carefully lifting it of the front.

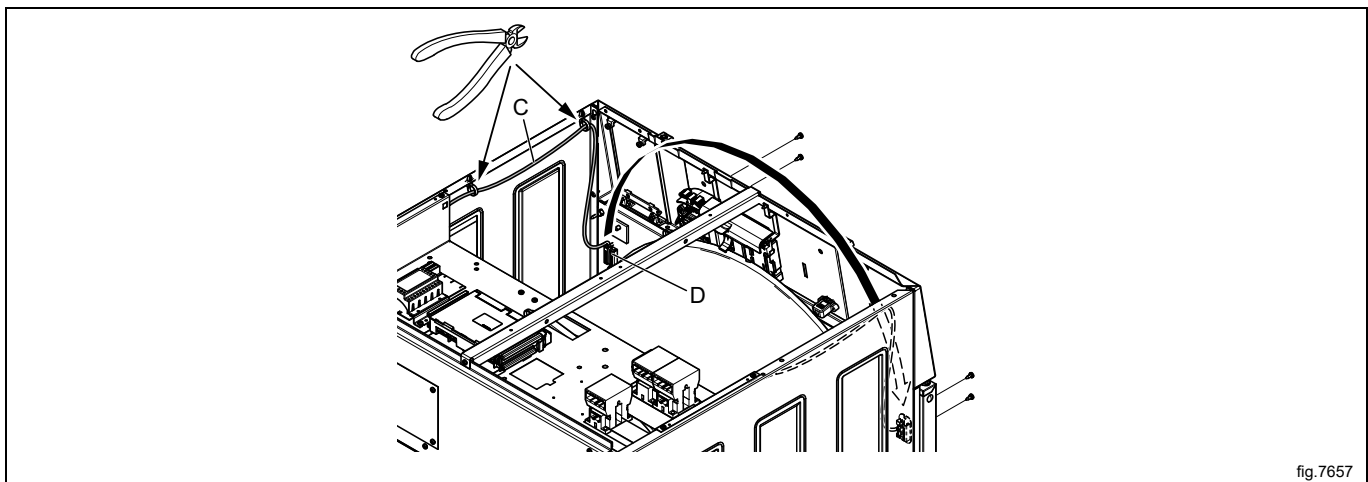
Demount hinge (B).



Demount the top panel.

Cut the cable tie and remove cable (C) to the opposite side.

Demount the plastic cover with door switch (D) and mount on the opposite side.



Demount the door handle and remount the screws. Mount the door handle on the opposite side using the existing screws.

Mount the door by lifting it back on the fitting on the opposite side.

Mount the hinge (B) at the top.

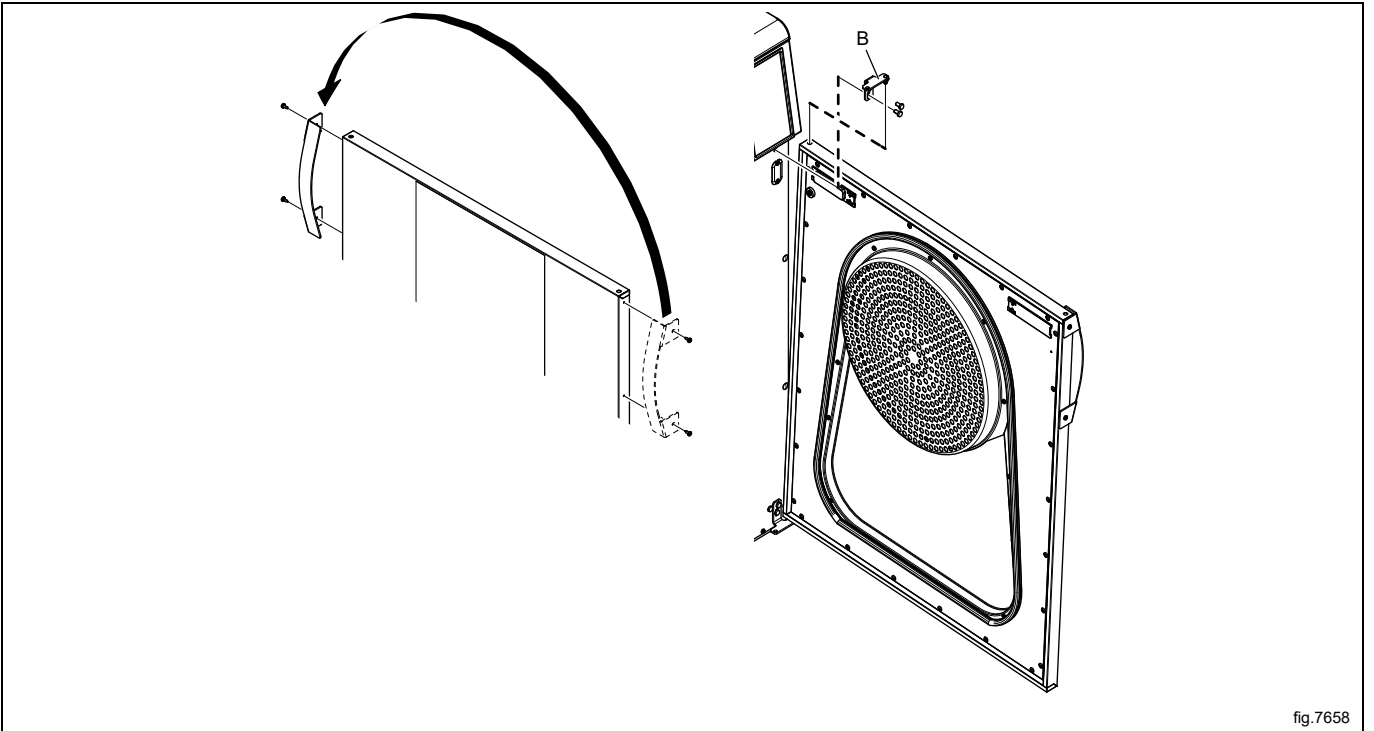


fig.7658

Demount the magnetic door lock (E) and magnet for switch (F) and mount on the opposite side.

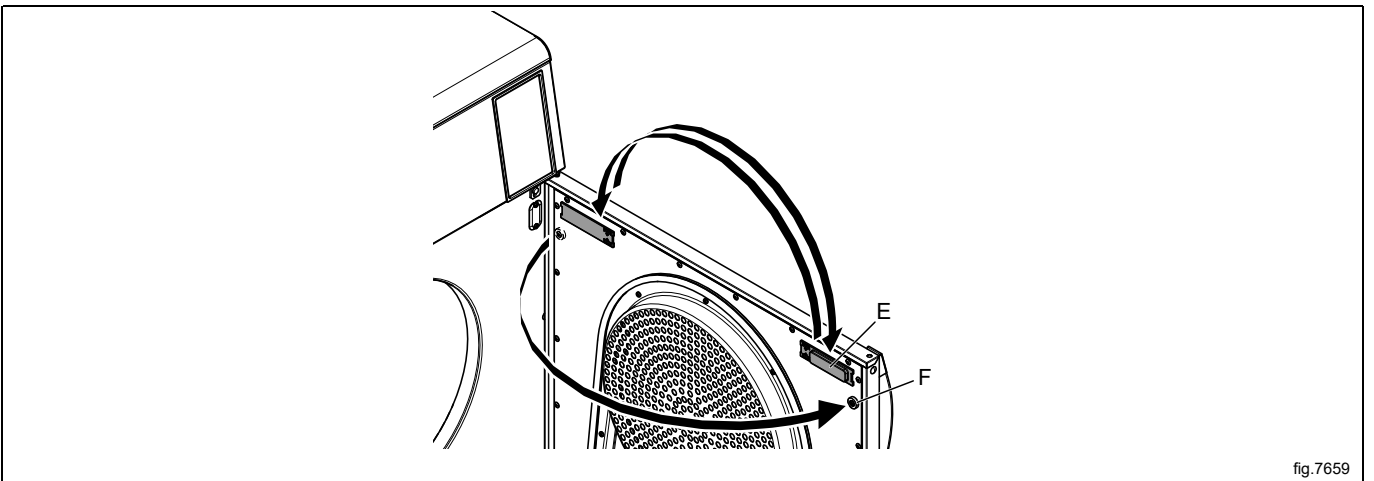


fig.7659

Connect the power to the machine.

Test run the machine.

## 10 At first power up

When the installation is complete and the power is connected for the first time you will be forced to make the following settings. When one setting is ready you will automatically enter the next one. Follow the instructions on the display.

- Select language
- Set time and date
- Activate/deactivate the service alarm

### 10.1 Select language

Select language from the list on the display. Scroll with the up- and down arrows.

This will be the language that all display messages, program names etc will be presented in.

### 10.2 Set time and date

Select YES and press ►|| to get to the TIME/DATE menu.

Activate the SET TIME menu and set the correct time.

Save the settings.

Activate the SET DATE menu and set the correct date. Start by setting the year.

- Set the year. Exit to continue with a long press on ►|| .
- Set the month. Exit to continue with a long press on ►|| .
- Set the day. Exit with a long press on ►|| and then save with a long press on ►|| .

Exit the menu when ready.

### 10.3 Activate/Deactivate the service alarm

Set if the machine shall give a service alarm or not with YES or NO.

Exit and save the settings.



## 11 Function check



May only be carried out by qualified personnel.



A function check must be made when the installation is finished and before the machine can be ready to be used. Whenever a repair has been made, a function check must be performed before the machine can be used again.

### Check the automatic stop of the machine

- Start the machine.
- Check if the micro switches are working properly:  
The machine must stop if the door is opened.

### Check the direction of rotation (only on machines with 3-phase power supply, marine installation)

Demount the top panel and start a program. Check that the drum rotation is clockwise.

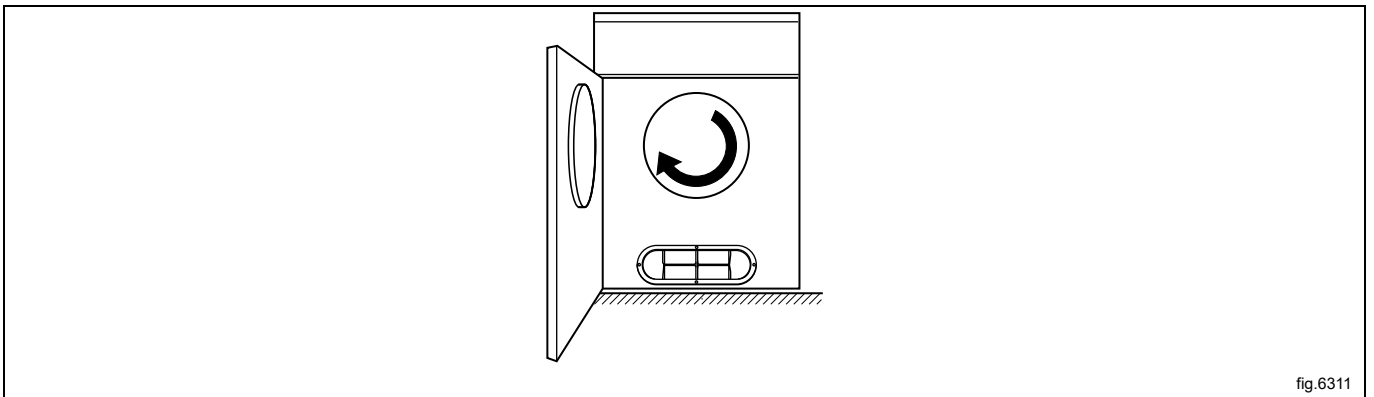


fig.6311

If the direction is wrong, swap two of the three phases to the left on the connection terminal.

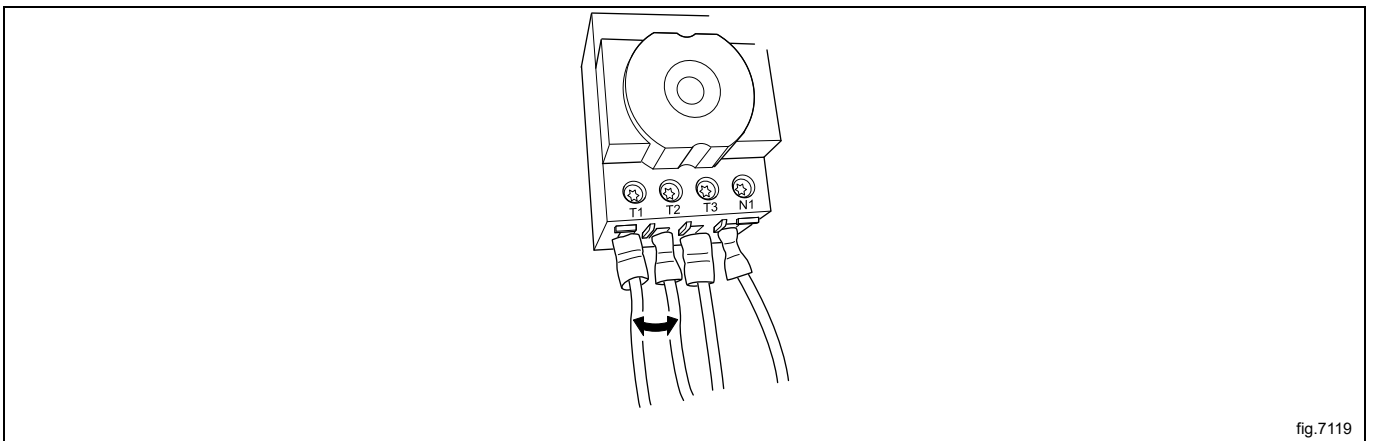


fig.7119

### Check the heat

- Let the machine work for five minutes on a program with heat.
- Check that the heating is working by opening the door and feel if there is heat in the drum.

### Ready to use

If all tests are OK the machine is now ready to be used.

If some of the tests failed, or deficiencies or errors are detected, please contact your local service organisation or dealer.

## 12 Disposal information

### 12.1 Disposal of appliance at end of life

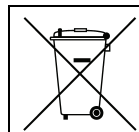
Before disposing of the machine, make sure to carefully check its physical condition, and in particular any parts of the structure that can give or break during scrapping.

The machine's parts must be disposed of in a differentiated way, according to their different characteristics (e.g. metals, oils, greases, plastic, rubber, etc.).

Different regulations are in force in the various countries, therefore comply with the provisions of the laws and competent bodies in the country where scrapping takes place.

In general, the appliance must be taken to a specialised collection/scrapping centre.

Dismantle the appliance, grouping the components according to their chemical characteristics, remembering that the compressor contains lubricant oil and refrigerant fluid which can be recycled, and that the refrigerator and heat pump components are special waste assimilable with urban waste.



The symbol on the product indicates that this product should not be treated as domestic waste, but must be correctly disposed of in order to prevent any negative consequences for the environment and human health. For further information on the recycling of this product, contact the local dealer or agent, the Customer Care service or the local body responsible for waste disposal.




#### Note!

**When scrapping the machine, any marking, this manual and other documents concerning the appliance must be destroyed.**

### 12.2 Disposal of packing

The packing must be disposed of in compliance with the current regulations in the country where the appliance is used. All the packing materials are environmentally friendly.

They can be safely kept, recycled or burned in an appropriate waste incineration plant. Recyclable plastic parts are marked as following examples.

	Polyethylene: <ul style="list-style-type: none"> <li>• Outer wrapping</li> <li>• Instructions bag</li> </ul>
	Polypropylene: <ul style="list-style-type: none"> <li>• Straps</li> </ul>
	Polystyrene foam: <ul style="list-style-type: none"> <li>• Corner protectors</li> </ul>





Electrolux Professional AB  
341 80 Ljungby, Sweden  
[www.electroluxprofessional.com](http://www.electroluxprofessional.com)