

Installation manual

Tumble dryer

TD6–11
Type N1...



Electrolux
PROFESSIONAL

Contents

Contents

1	Safety Precautions	5
1.1	General information	6
1.2	Commercial use only	6
1.3	Copyright	6
1.4	Symbols	7
2	Warranty terms and exclusions	8
3	Technical data	9
3.1	Drawing	9
3.2	Technical data	10
4	Setup	11
4.1	General	11
4.2	Unpacking	11
4.3	Recycling instruction for packaging	13
4.4	Wheels	14
4.5	Siting	15
4.6	Drain connection	16
4.7	Mechanical installation	16
5	Evacuation system	18
5.1	Air principle	18
6	Electrical connection	20
6.1	Electrical installation	20
6.2	Single-phase connection	20
6.3	Three-phase connection	21
6.4	Electrical connections	21
6.5	Functions for I/O-cards	22
6.5.1	Central payment (2J)	22
6.5.2	Central payment (2J)	23
6.5.3	External coin meter/Central payment (2K)	24
6.5.4	Price reduction (2K)	25
6.6	Option	25
6.6.1	External connection 100 mA	25
7	Reversing the door	26
8	At first power up	35
8.1	Select language	35
8.2	Set time and date	35
8.3	Activate/Deactivate the service alarm	35
9	Function check	36
10	Disposal information	37
10.1	Disposal of appliance at end of life	37
10.2	Disposal of packing	37

The manufacturer reserves the right to make changes to design and component specifications.

1 Safety Precautions

- Servicing shall be carried out only by authorized personnel.
- Only authorized spare parts, accessories and consumables shall be used.
- The machine is not to be used if industrial chemicals have been used for cleaning.
- Do not dry unwashed items in the machine.
- Items that have been soiled with substances such as cooking oil, acetone, alcohol, petrol, kerosene, spot removers, turpentine, waxes and wax removers should be washed in hot water with an extra amount of detergent before being dried in the machine.
- Items such as foam rubber (latex foam), shower caps, waterproof textiles, rubber backed articles and clothes or pillows fitted with foam rubber pads should not be dried in the machine.
- Fabric softeners or similar products should be used as specified by the fabric softener instructions.
- The final part of a drying cycle occurs without heat (cool down cycle) to ensure that the items are left at a temperature that ensures that the items will not be damaged.
- Remove all objects from pockets such as lighters and matches.
- **WARNING.** Never stop the machine before the end of the drying cycle unless all items are quickly removed and spread out so that the heat is dissipated.
- Adequate ventilation has to be provided to avoid the back flow of gases into the room for appliances burning other fuels, including open fires.
- The machine must not be installed behind a lockable door, a sliding door or a door with a hinge on the opposite side to that of the machine in such a way that a full opening of the machine is restricted.
- If the machine has a lint trap this has to be cleaned frequently.
- The lint must not be accumulated around the machine.
- **DO NOT MODIFY THIS APPLIANCE.**
- When performing service or replacing parts, the power must be disconnected.
- When the power is disconnected, the operator must see that the machine is disconnected (that the plug is removed and remains removed) from any point to which he has access. If this is not possible, due to the construction or installation of the machine, a disconnection with a locking system in the isolated position shall be provided.
- In accordance with the wiring rules: mount a multi-pole switch prior to the machine to facilitate installation and service operations.
- **WARNING:** The appliance must not be supplied through an external switching device, such as a timer, or connected to a circuit that is regularly switched on and off by a utility.
- If different rated voltages or different rated frequencies (separated by a /) are stated at the machine data plate, instructions for adjusting the appliance for operation at the required rated voltage or rated frequency are stated in the installation manual.
- Stationary appliances not fitted with means for disconnection from the supply mains having a contact separation in all poles that provide full disconnection under overvoltage category III, means for disconnection must be incorporated in the fixed wiring in accordance with the wiring rules.
- The openings in the base, shall not be obstructed by a carpet.
- Oil-affected items can ignite spontaneously, especially when exposed to heat sources such as in a tumble dryer. The items become warm, causing an oxidation reaction in the oil. Oxidation creates heat. If the heat cannot escape, the items can become hot

enough to catch fire. Piling, stacking or storing oil-affected items can prevent heat from escaping and so create a fire hazard.

- If it is unavoidable that fabrics that contain vegetable or cooking oil or have been contaminated by hair care products be placed in a tumble dryer they should first be washed in hot water with extra detergent – this will reduce, but not eliminate, the hazard.
- Maximum mass of dry cloth: 11.0 kg.
- A-weighted emission sound pressure level at working stations: 70 dB(A).
- Additional requirements for the following countries; AT, BE, BG, HR, CY, CZ, DK, EE, FI, FR, DE, GR, HU, IS, IE, IT, LV, LT, LU, MT, NL, NO, PL, PT, RO, SK, SI, ES, SE, CH, TR, UK:
 - The appliance can be used in public areas.
 - This appliance can be used by children aged from 8 years and above and persons with reduced physical, sensory or mental capabilities or lack of experience and knowledge if they have been given supervision or instruction concerning use of the appliance in a safe way and understand the hazards involved. Children shall not play with the appliance. Cleaning and user maintenance shall not be made by children without supervision.
- Additional requirements for other countries:
 - This appliance is not intended for use by persons (including children) with reduced physical, sensory or mental capabilities, or lack of experience and knowledge, unless they have been given supervision or instruction concerning use of the appliance by a person responsible for their safety. Children should be supervised to ensure that they do not play with the appliance.

1.1 General information

Conditions for storage and transportation of the appliance should fulfil a temperature between -20°C / + 70°C and max Humidity of 95% RH.

In order to prevent damage to the electronics (and other parts) that may occur as the result of condensation, the machine should be placed in room temperature for 24 hours before being used for the first time.

Electric power supply should follow:

- Max range for each country rated voltage: -15% / +10%.
- Max range for each country rated frequency: ± 3 Hz.
- Dips/Interruption: 5 Dips/day (100% voltage lost, with 3-4 minutes duration).

A stable power supply is always the best. Fluctuations gives stress and additional load on all electric and electronic components.







1.2 Commercial use only

The machine/machines covered by this manual is/are made for commercial and industrial use only.

1.3 Copyright

This manual is intended solely for consultation by the operator and can only be given to third parties with the permission of Electrolux Professional AB.

1.4 Symbols

	Caution
	Caution, hot surface
	Caution, high voltage
	Warning, risk of fire / flammable material
	Danger, crush hazard
	Read the instructions before using the machine

2 Warranty terms and exclusions

If the purchase of this product includes warranty coverage, warranty is provided in line with local regulations and subject to the product being installed and used for the purposes as designed, and as described within the appropriate equipment documentation.

Warranty will be applicable where the customer has used only genuine spare parts and has performed maintenance in accordance with Electrolux Professional AB user and maintenance documentation made available in paper or electronic format.

Electrolux Professional AB strongly recommends using Electrolux Professional AB approved cleaning, rinse and descaling agents to obtain optimal results and maintain product efficiency over time.

The Electrolux Professional AB warranty does not cover:

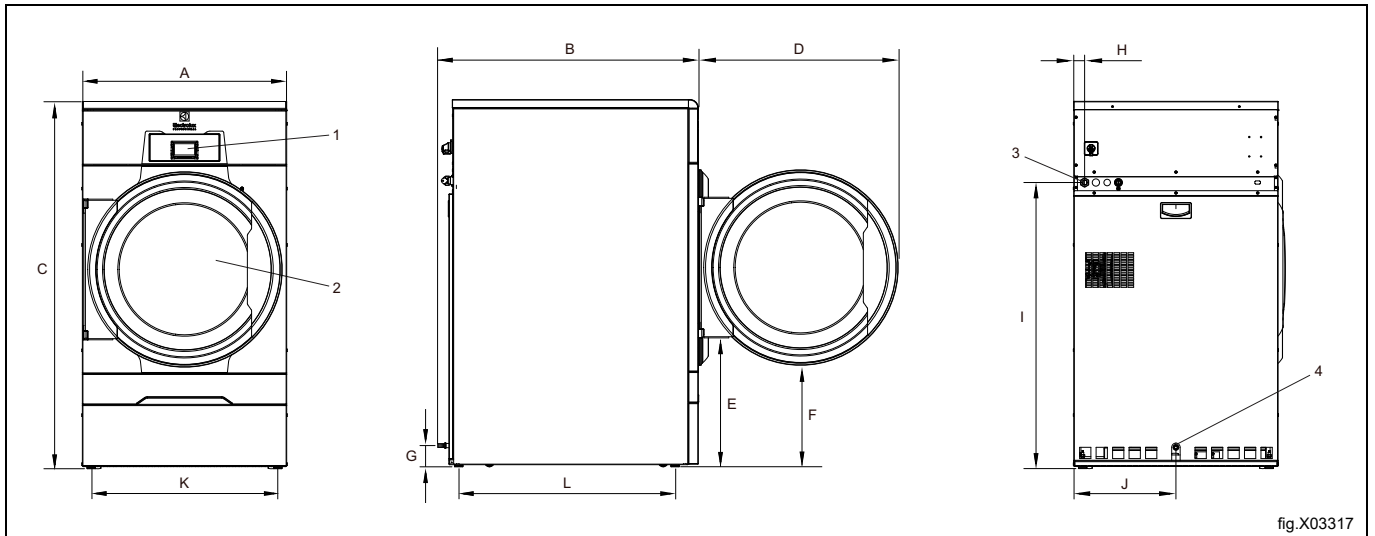
- service trips cost to deliver and pick up the product;
- installation;
- training on how to use/operate;
- replacement (and/or supply) of wear and tear parts unless resulting from defects in materials or workmanship reported within one (1) week from the failure;
- correction of external wiring;
- correction of unauthorized repairs as well as any damages, failures and inefficiencies caused by and/or resulting from:
 - insufficient and/or abnormal capacity of the electrical systems (current/voltage/frequency, including spikes and/or outages);
 - inadequate or interrupted water supply, steam, air, gas (including impurities and/or other that does not comply with the technical requirements for each appliance);
 - plumbing parts, components or consumable cleaning products that are not approved by the manufacturer;
 - customer's negligence, misuse, abuse and/or non-compliance with the use and care instructions detailed within the appropriate equipment documentation;
 - improper or poor: installation, repair, maintenance (including tampering, modifications and repairs carried out by third parties not authorized third parties) and modification of safety systems;
 - Use of non-original components (e.g.: consumables, wear and tear, or spare parts);
 - environment conditions provoking thermal (e.g. overheating/freezing) or chemical (e.g. corrosion/oxidation) stress;
 - foreign objects placed in- or connected to- the product;
 - accidents or force majeure;
 - transportation and handling, including scratches, dents, chips, and/or other damage to the finish of the product, unless such damage results from defects in materials or workmanship and is reported within one (1) week of delivery unless otherwise agreed;
- product with original serial numbers that have been removed, altered or cannot be readily determined;
- replacement of light bulbs, filters or any consumable parts;
- any accessories and software not approved or specified by Electrolux Professional AB.

Warranty does not include scheduled maintenance activities (including the parts required for it) or the supply of cleaning agents unless specifically covered within any local agreement, subject to local terms and conditions.

Check on Electrolux Professional AB website the list of authorized customer care.

3 Technical data

3.1 Drawing



1	Operating panel
2	Door opening, \varnothing 518 mm
3	Electrical connection
4	Drain for condense water

	A	B	C	D	E	F
mm	730	910	1300	710	458	360

	G	H	I	J	K	L
mm	75	40	1015	360	660	770

3.2 Technical data

Weight, net	kg	170
Drum volume	liters	200
Drum diameter	mm	682
Drum depth	mm	606
Drum speed, medium load	rpm	55
Rated capacity, filling factor 1:18 (Max. load)	kg	11.0
Rated capacity, filling factor 1:22 (Recommended load)	kg	9.0
Sound power/pressure level at drying*	dB(A)	60 / 60
Average heat emission per drying cycle used to assess ventilation need**	kW	2.0
Ambient operating temperature	°C	+10 – +45

* Sound power levels measured according to ISO 60704.

** For assistance with dimensioning necessary ventilation needs, contact authorized ventilation technician. For sufficient ventilation all sources introducing heat need to be taken into account plus all other parameters effecting the ventilation need. Climate zone, building parameters, room size, etc.

Connections

Pipe connection, condensed water	ø mm	15
----------------------------------	------	----

Heat pump

Type of refrigerant		R134a
Amount of refrigerant	kg	0.750

Fluorinated greenhouse gases

This product contains fluorinated greenhouse gases:

R134a: 0.750 kg

GWP 1430

CO₂ equivalent 1.0725 t

Hermetically sealed

4 Setup

4.1 General

The principle work flow to setup or install this machine is as follows:

1. Unpacking
2. Positioning/siting, levelling or/and securing the machine.
3. Correcting the fresh air to compensate the heat emission of machine(s) and connect the drain(s).
4. Electric connections, connect the power supply to the machine.
5. Function check.
6. Option functions check.

More details are described in each part of this installation manual.

4.2 Unpacking

Note!

The machine must not be laid down or tilted more than 45°. If so, this might damage the heat pump.

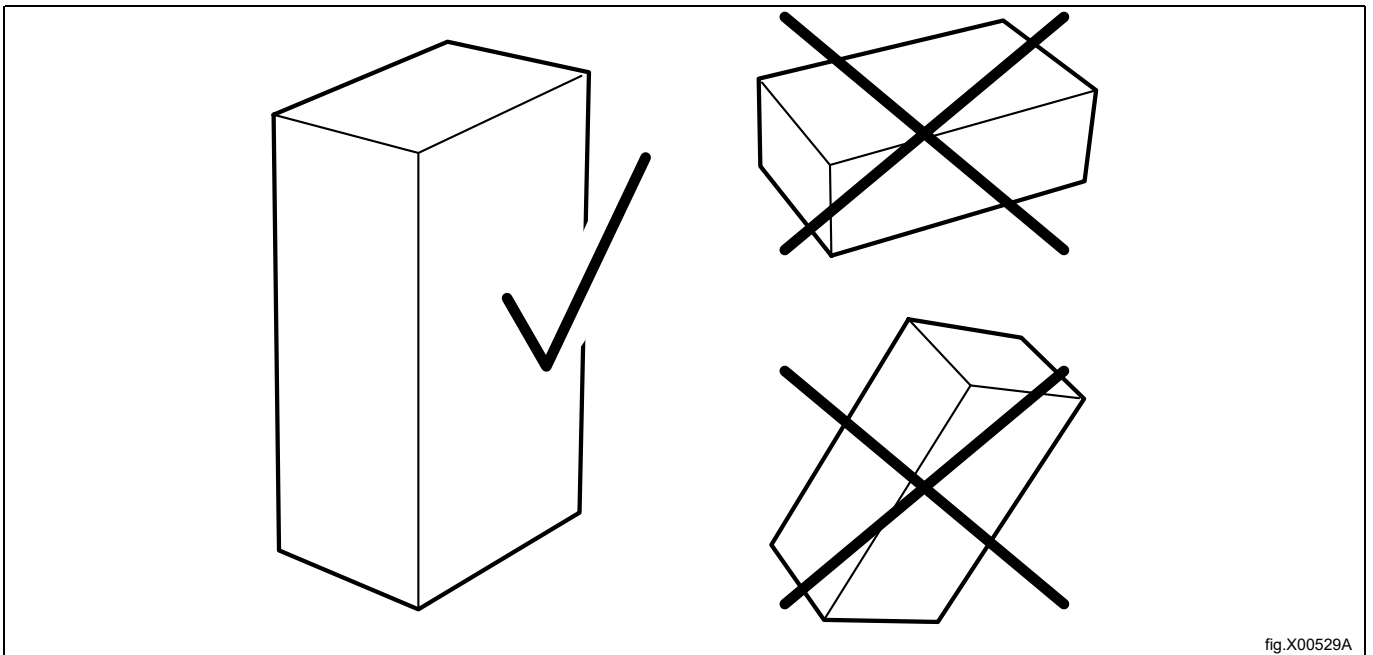
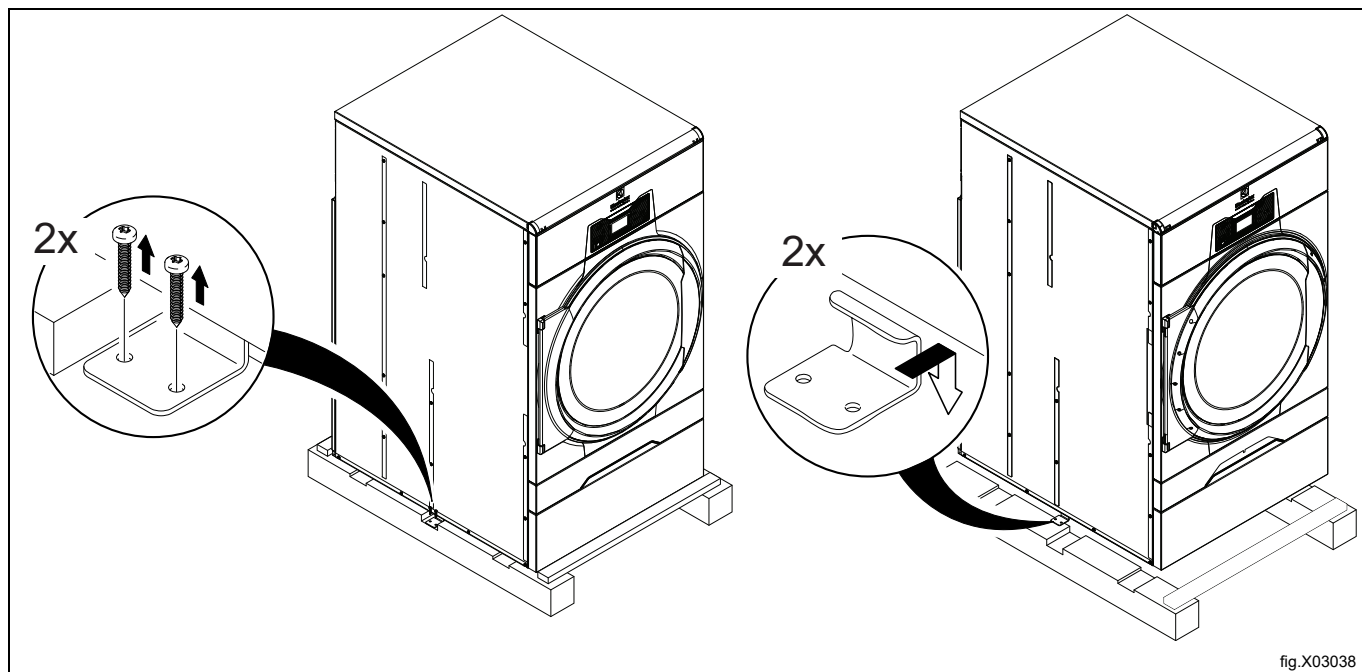


fig.X00529A

Remove the screws and the transportation bracket on each side of the machine.
Remove the machine from the pallet.

Note!

When moving the machine, handle it with care. The drum has no transport clamps.



Place the machine on its final position.

4.3 Recycling instruction for packaging

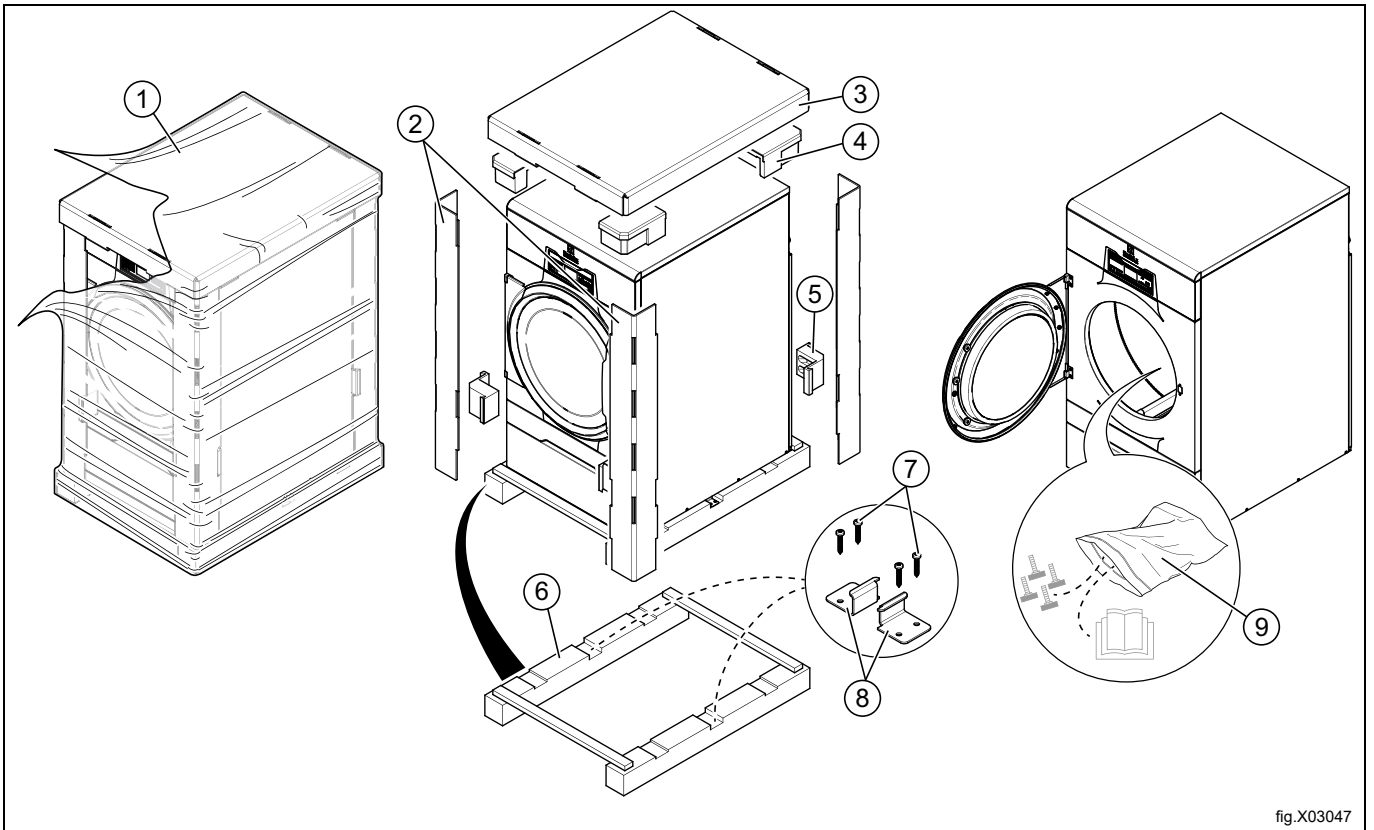


fig.X03047

Fig.	Description	Code	Type
1	Wrapping film	LDPE 4	Plastics
2	Cardboard packaging	PAP 20	Paper
3	Cardboard packaging	PAP 20	Paper
4	Corner protection	PS 6	Plastics
5	Corner protection	PS 6	Plastics
6	Pallet	FOR 50	Wood
7	Screw	FE 40	Steel
8	Steel Bracket	FE 40	Steel
9	Plastic bag	PET 1	Plastics

4.4 Wheels

For ergonomic reasons the machine is equipped with wheels.
The wheels makes it easy to move the machine without lifting it.
The wheels can only be used as long as the feet of the machine is not lowered.
Three of the wheels (A) are located the heat pump unit.

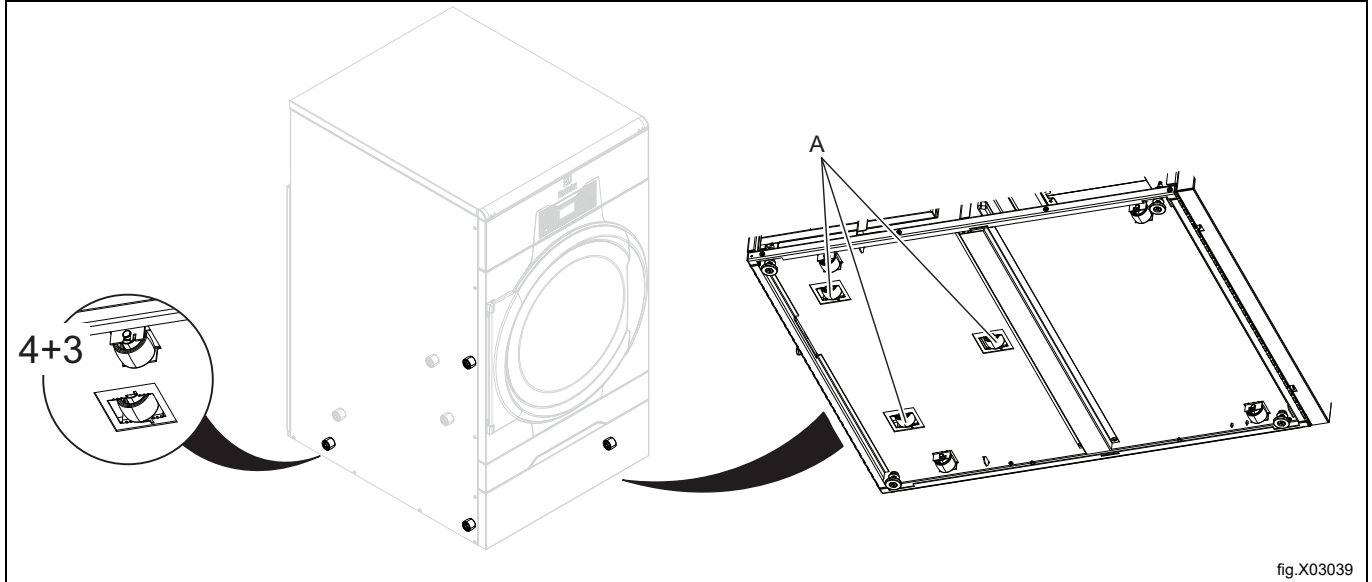


fig.X03039

4.5 Siting

The figure shows recommended distance to walls and/or other machines.

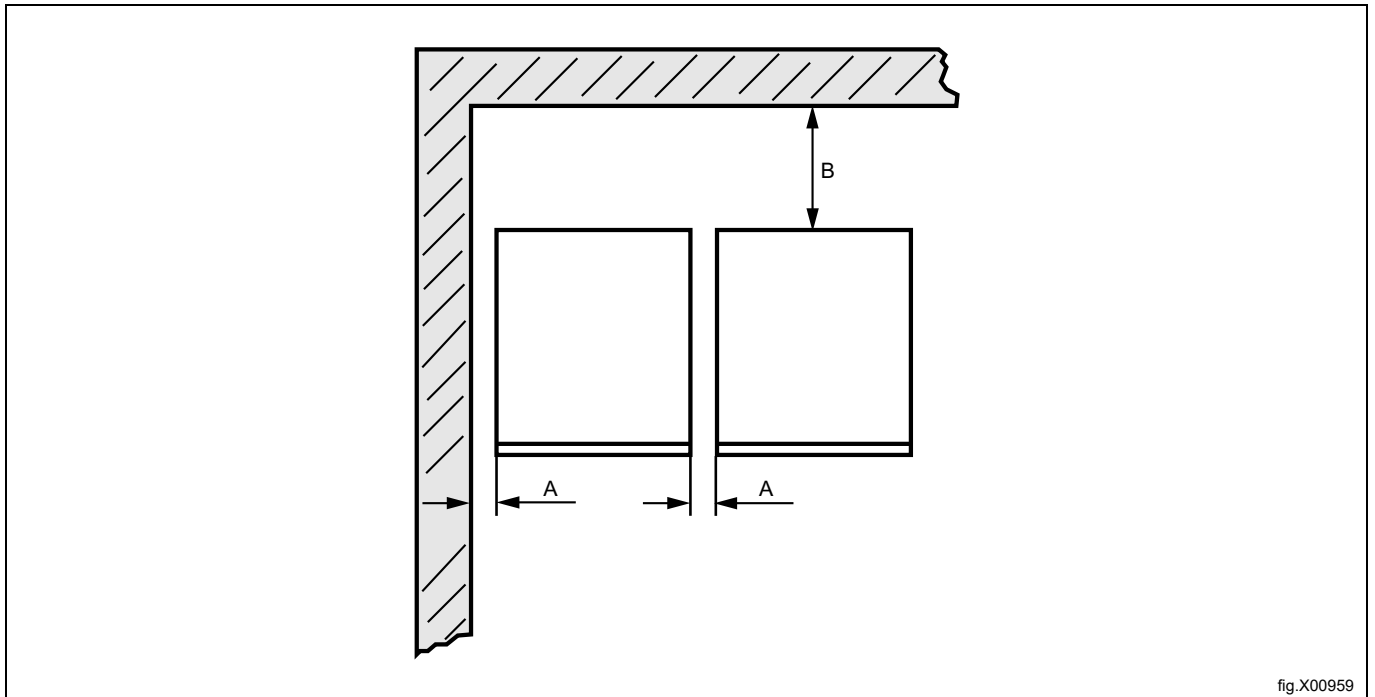


fig.X00959

A	5–500 mm (Min. 5 mm)
B	500 mm (Min. 200 mm)

Note!

The machine should be positioned so that there will be enough space for working, both for the user and service personnel.

Respecting the given recommendations will provide easy access for maintenance and service operations.

In case of space limitations, it is possible to install machines without respecting to the given recommendations. If so, keep in mind that it might be necessary to disconnect and move other machines to be able to reach and perform service on affected machine.

4.6 Drain connection

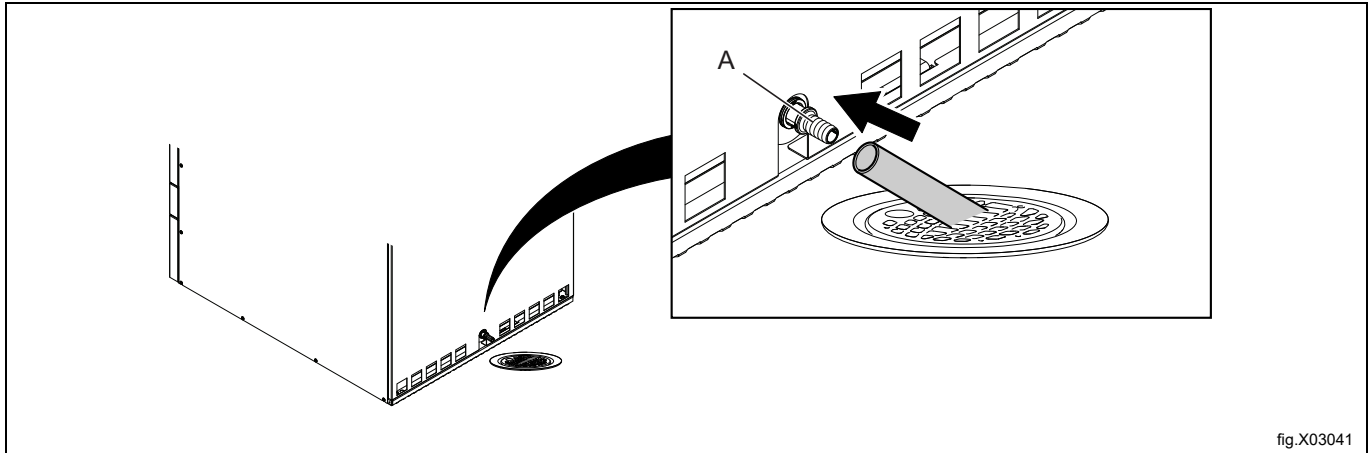
Connect a drain hose to the pipe (A) on the heat pump unit.

Note!

The drain hose must be positioned over the water level in the floor drain.

The drain must be lower than the drain outlet from the heat pump unit. If not, the water will flow back into the machine. Adjust with the feet.

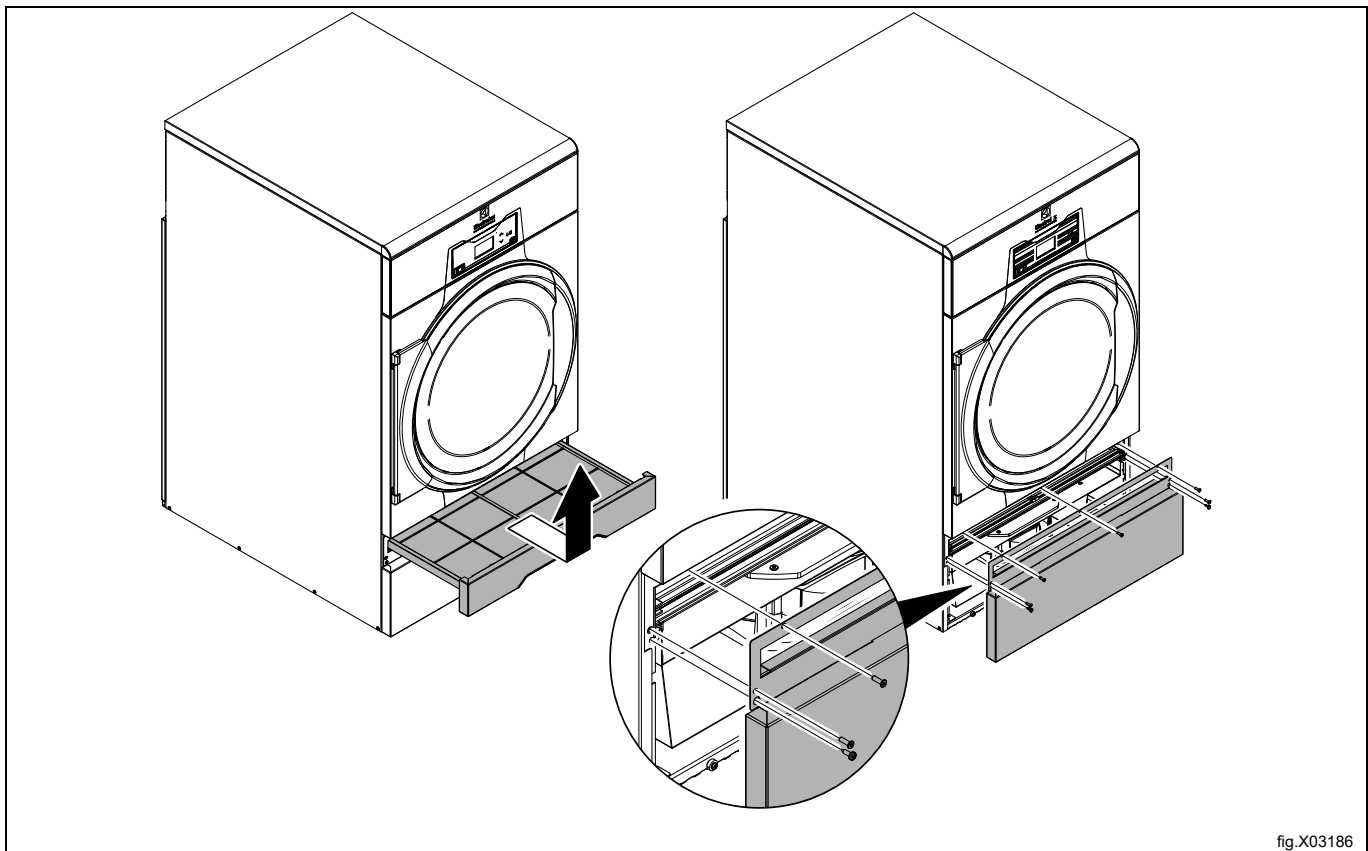
The drain hose shall hang in a gentle arc.



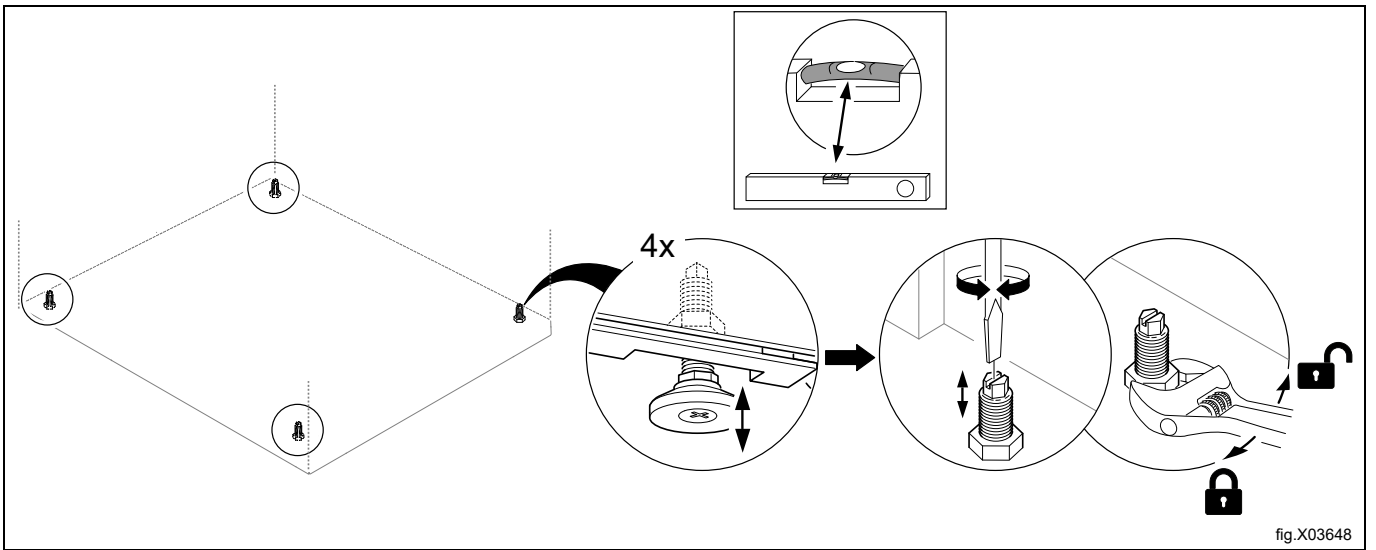
4.7 Mechanical installation

Remove the filter drawer and the second filter.

Demount the lower front panel.



Level the machine with the feet of the machine. The maximum height adjustment of the feet is 14 mm.



Remount the lower front panel and insert the filter drawer.

5 Evacuation system

5.1 Air principle

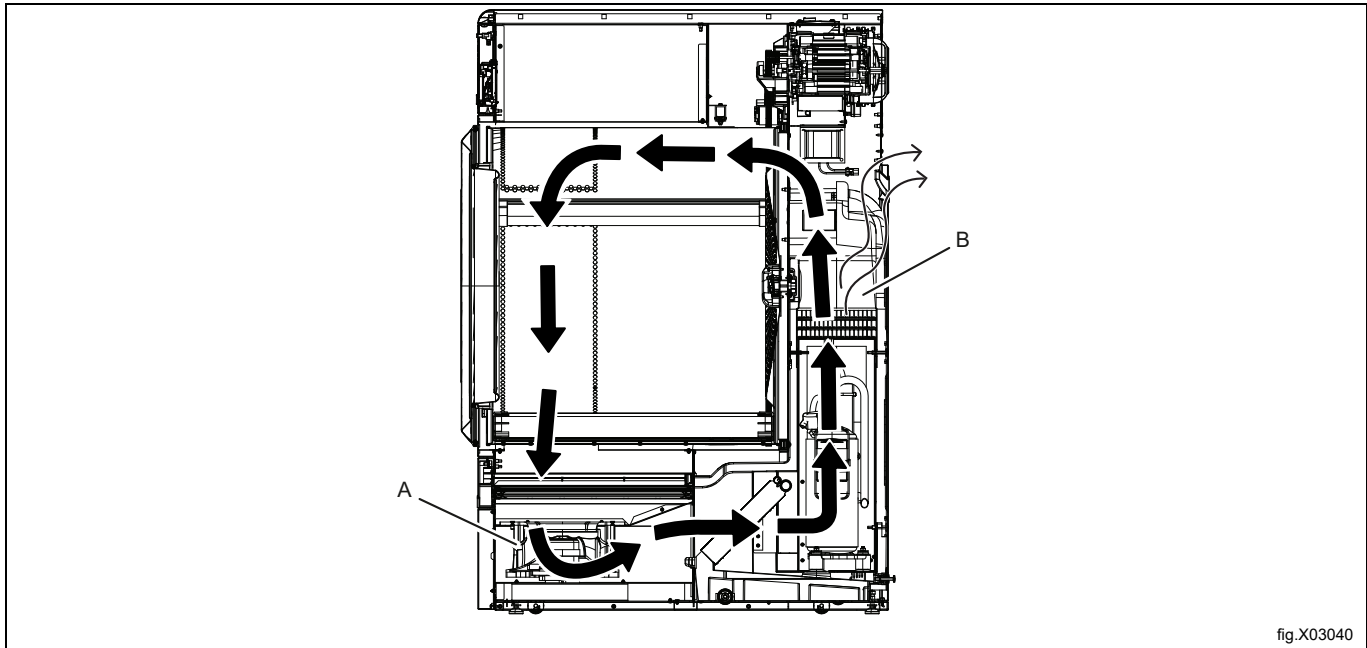
Note!

It is very important that the machine gets enough fresh air in order to compensate its heat emission.

The fan (A) creates air flow in the machine, drawing air into the drum via the heating (condenser) unit. The heated air passes through the garments as so called semi axial/radial air flow and collecting moisture from the garments. All the moist air passes first the ordinary filter, the second lint filter and then through the special filter. The special filter is necessary in machines with heat pump in order to protect the heat pump to get clogged by lint.

With help of the fan (A), the air can be recirculated back into the drum and via the heating system again.

The fan (B) is controlled by the heat pump inverter to faster cool down the heating unit.



Ventilating the room

When the machine is in operation, the room temperature increases. Due to this, the room must have sufficient ventilation.

All sources introducing heat into the same room requires to be considered when dimensioning the ventilation. Heat sources could for example be: more tumble dryers, drying cabinets, washers, ironers, radiators, etc. The combination of several sources for heat introduction leads to an increased need for ventilation flow. Other factors may also influence the needed ventilation flow, such as climate zone, building parameters, room size, etc. For assistance with dimensioning necessary ventilation needs, contact authorized ventilation technician.

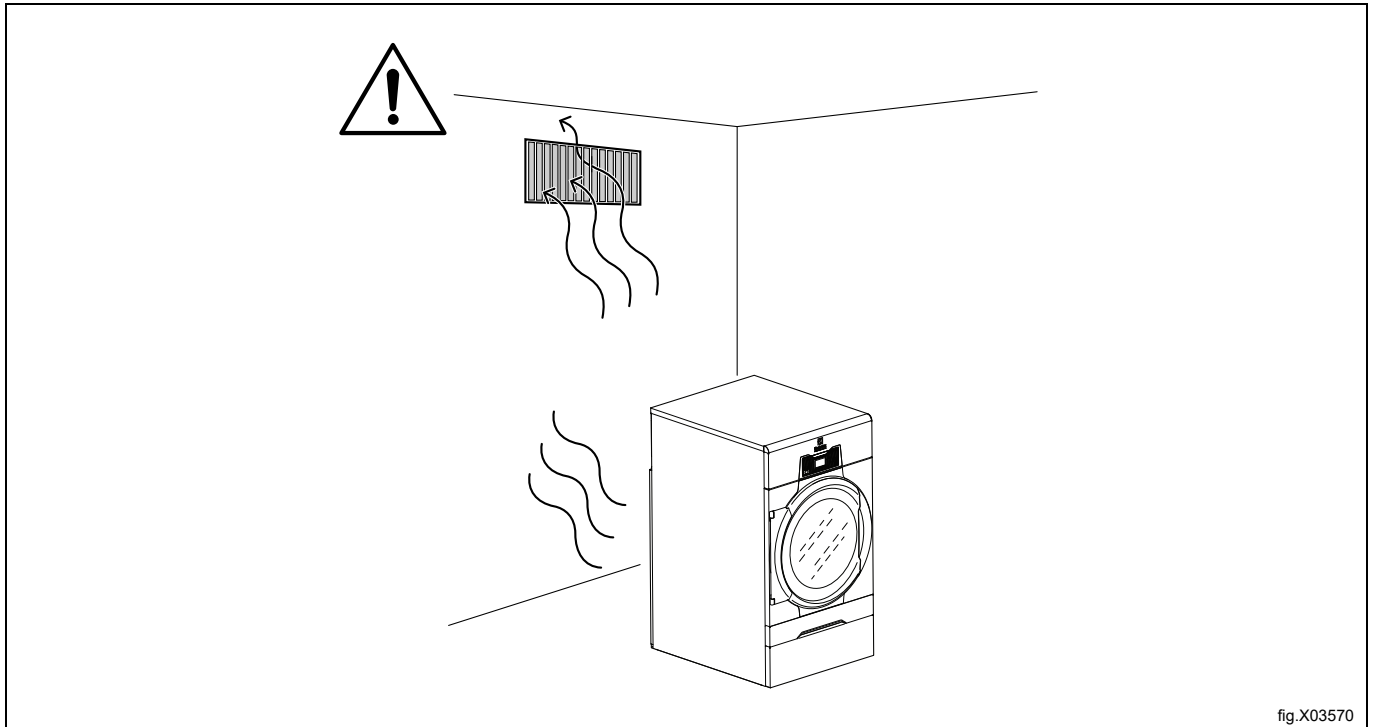


fig.X03570

6 Electrical connection

6.1 Electrical installation



The electrical installation may only be carried out by qualified personnel.



Machines with frequency-controlled motors can be incompatible with certain types of earth leakage circuit breaker. It is important to know that the machines are designed to provide a high level of personal safety, which is why items of external equipment such as earth leakage circuit breakers are not necessary but is recommended. If you still want to connect your machine across an earth leakage circuit breaker, please remember the following:

- contact a skilled, authorised installation company to ensure that the appropriate type of breaker is chosen and that the dimensioning is correct
- for maximum reliability, connect only one machine per earth leakage circuit breaker
- it is important that the earth wire is properly connected.

In instances where the machine is not equipped with an omni-polar switch, one must be installed beforehand.

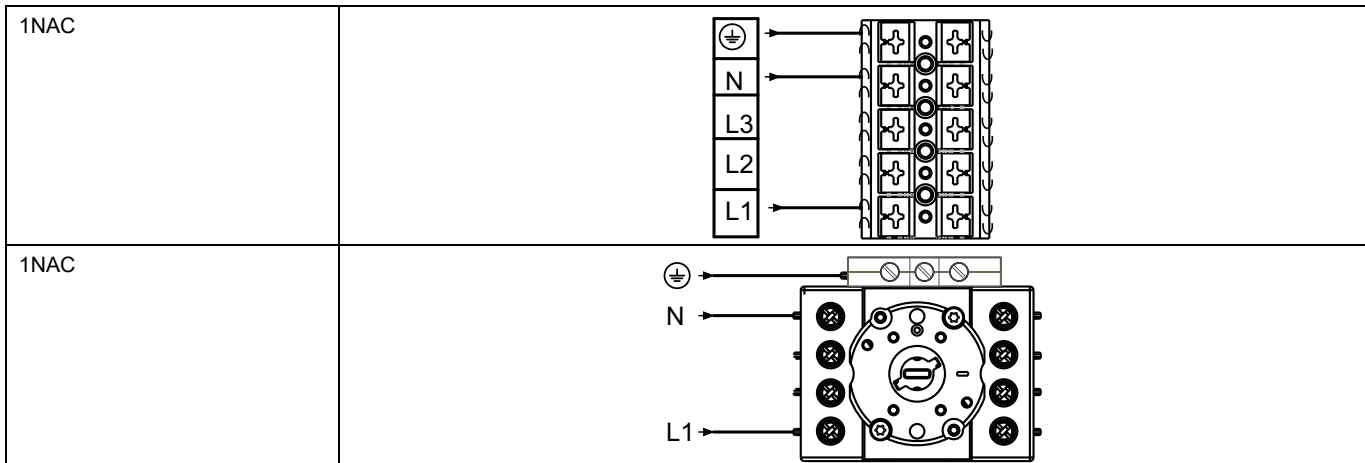
In accordance with the wiring rules: mount a multi-pole switch prior to the machine to facilitate installation and service operations.

The connecting cable shall hang in a gentle curve.

For AU/NZ: Fixed wiring is in accordance with AS/NZS 3000.

6.2 Single-phase connection

Demount the cover panel from the supply unit. Connect the earth and other wires as shown.

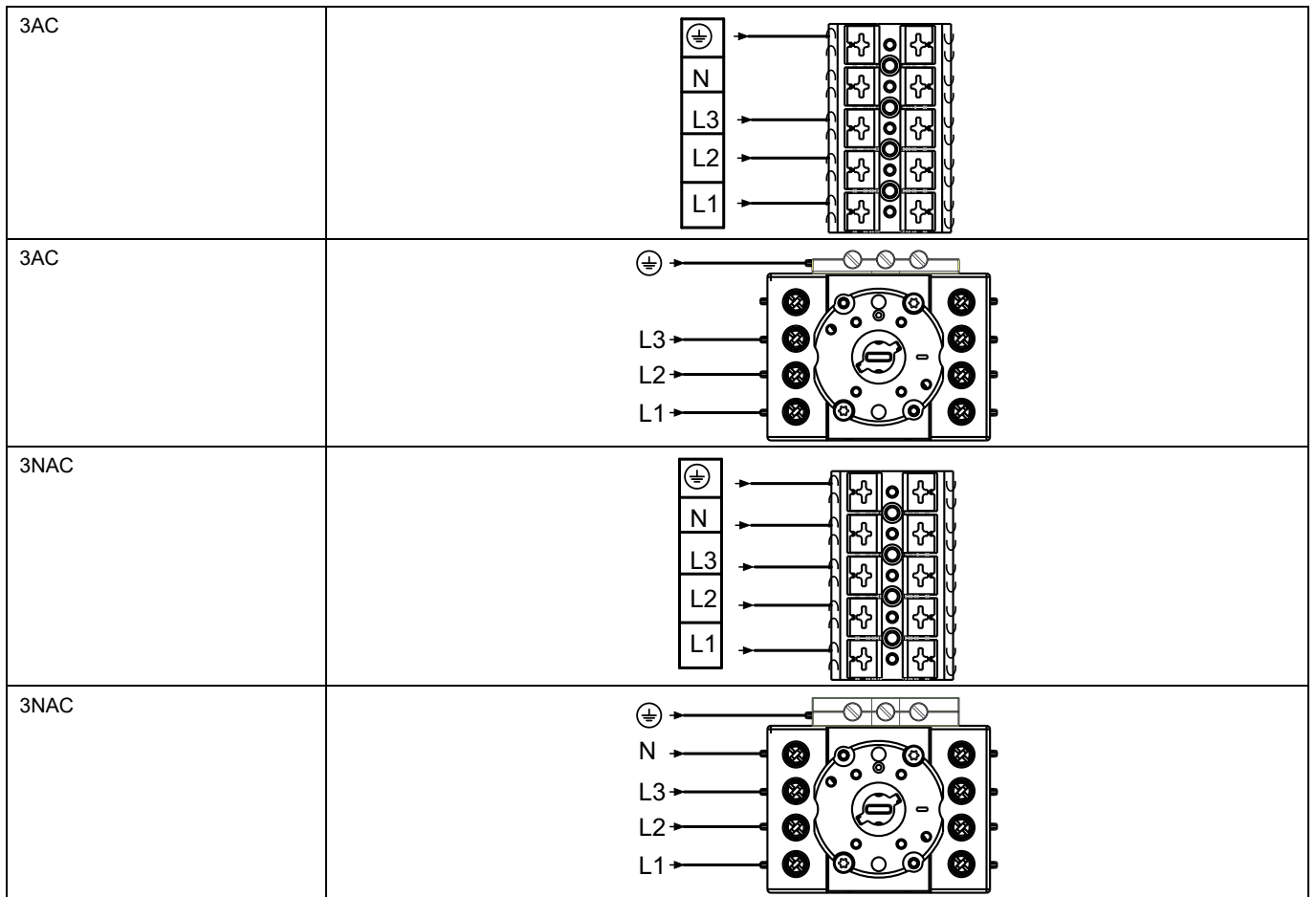


When the installation is completed remount the cover panel and check:

- That the drum is empty.
- That the machine operates by connecting the power to the machine and start a program with heat.

6.3 Three-phase connection

Demount the cover panel from the supply unit. Connect the earth and other wires as shown.



6.4 Electrical connections

Electrical connections					
Heating alternative	Main voltage	Hz	Heating power kW	Total power kW	Recommended fuse A
Machines with heat pump	380-480V 3(N)~	50/60	1	3.8	10
	220-240V 3~	50/60	1	3.8	16
	208-240V 1(N)~	50/60	1	3.8	20

1. Total power and recommended fuse does not depend on the heating power in those cases.

6.5 Functions for I/O-cards

The electrical schematic can be one of the following:

6.5.1 Central payment (2J)

To start the machine from a central payment system, the payment system must transmit a start pulse 300–3000 ms (500 ms is recommended) with a minimum pause of 300 ms (500 ms is recommended) between two pulses. The start pulse can be either 230V or 24V. In order to receive a feedback signal once the machine has started, 230V or 24V must be connected to connection 19. The feedback signal on connection 18 remains active (high) during the entire program.

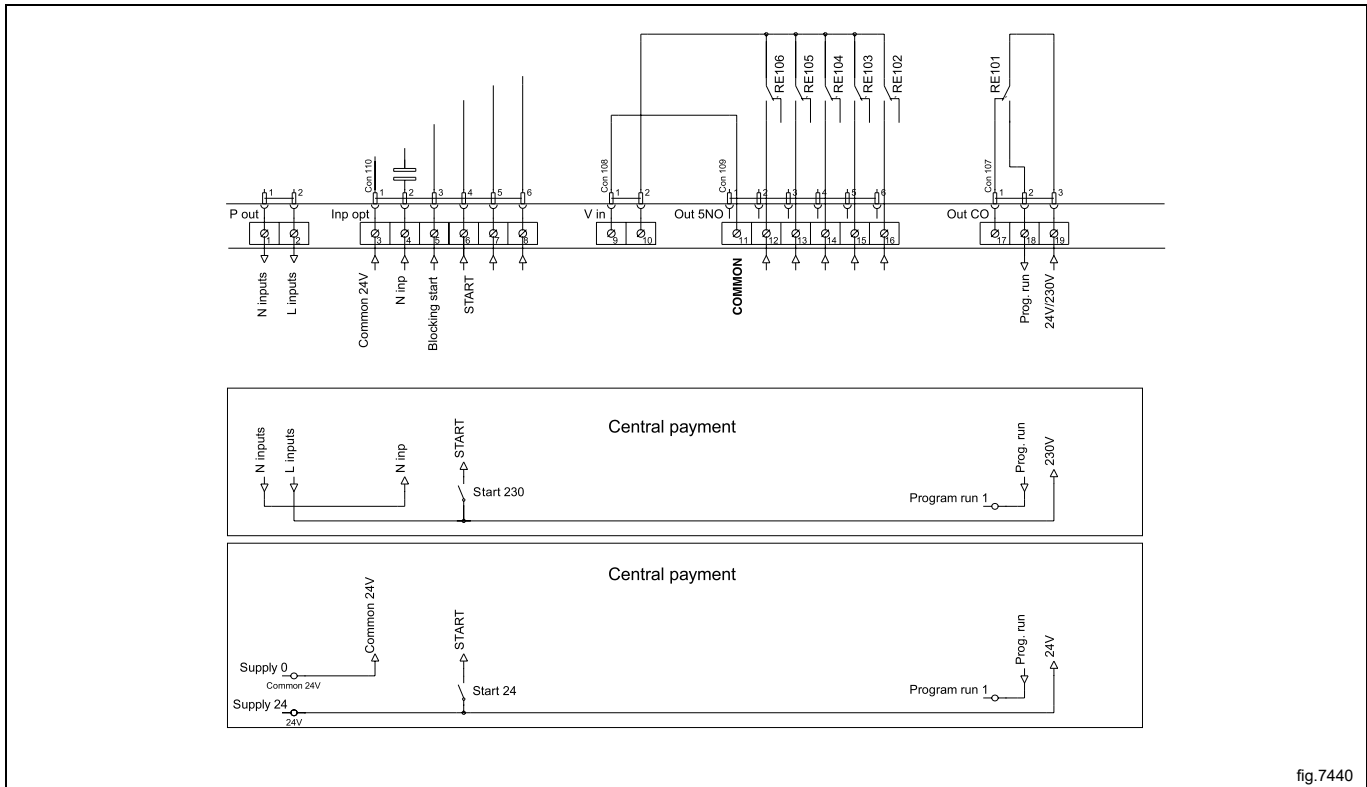


fig.7440

6.5.2 Central payment (2J)

The central payment or booking system shall transmit an active (high) signal to the machine once permission has been granted to start the machine. The signal must remain active (high) during drying. When the signal gets inactive (low) the machine will abort ongoing program and enter cooling. The signal can be either 230V or 24V. In order to receive a feedback signal once the machine has started, 230V or 24V must be connected to connection 19. The feedback signal remains active (high) during the entire program.

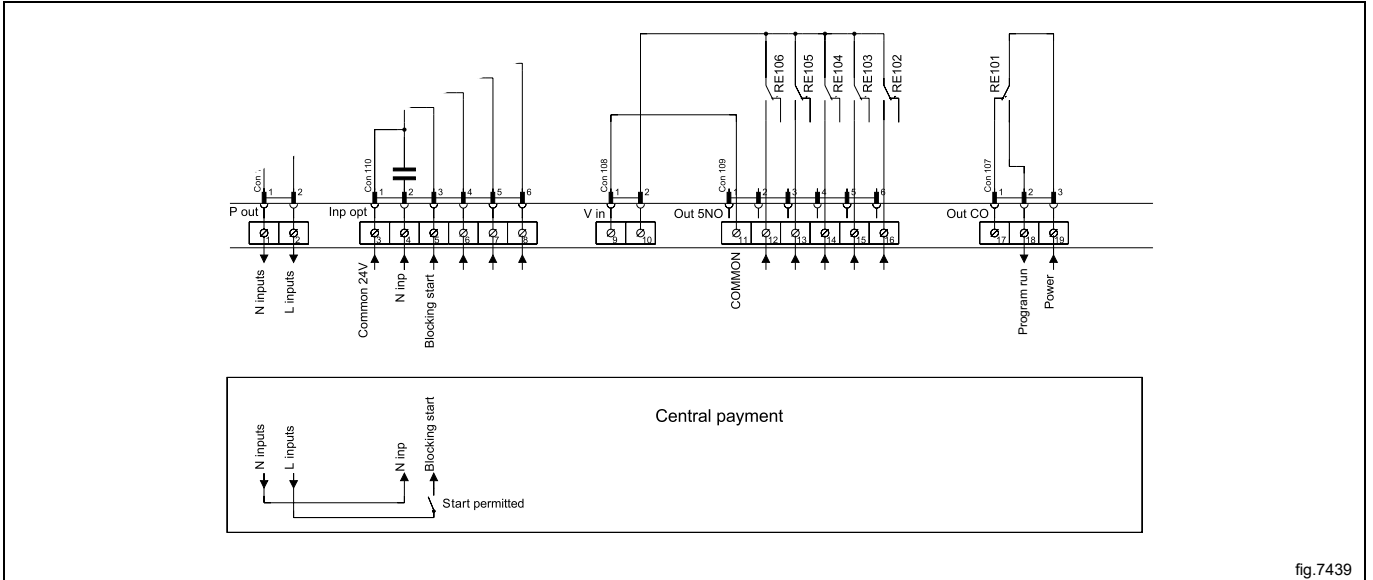


fig.7439

6.5.3 External coin meter/Central payment (2K)

The signal received from external coin meters must be a pulse between 300–3000 ms (500 ms is recommended) with a minimum pause of 300 ms (500 ms is recommended) between two pulses.

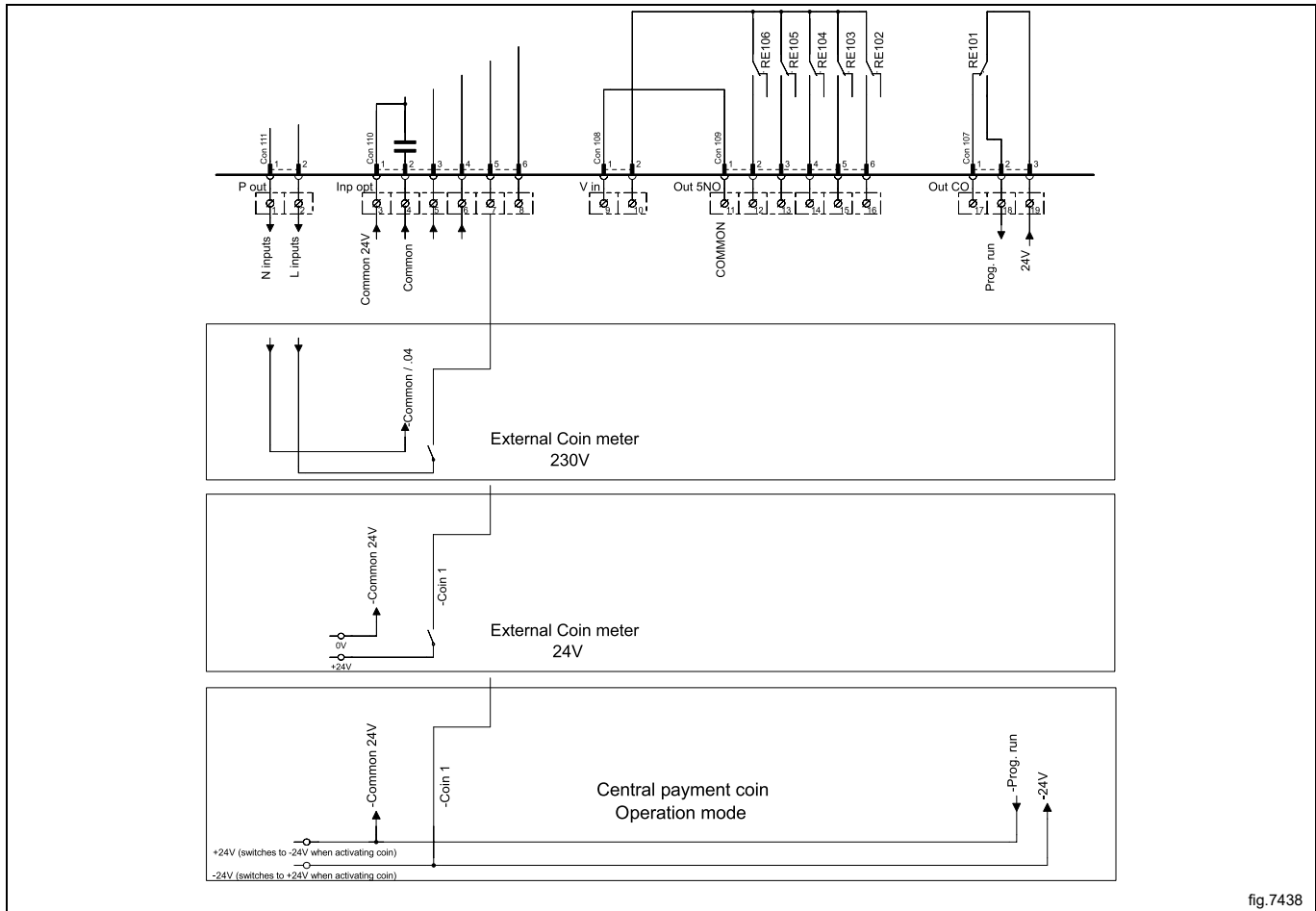


fig.7438

6.5.4 Price reduction (2K)

By maintaining an activated (high) signal on connection 5 ("Price red"), the price of the program can be reduced. This function has a number of uses, including providing reductions during a specific period of the day. Whilst the signal remains active (high), the price of the program is reduced (or the time is increased on time programs), by the percentage entered in the price programming menu.

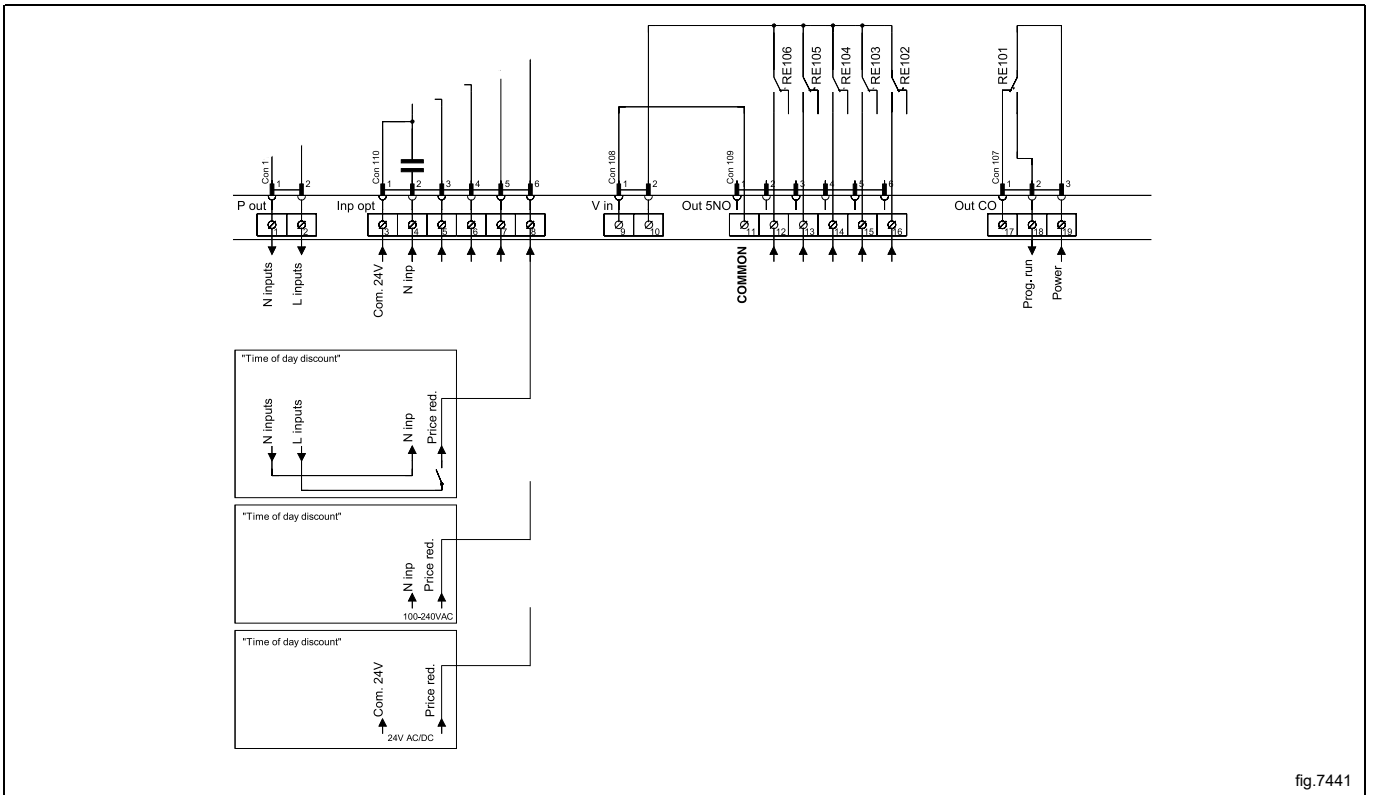


fig.7441

6.6 Option

6.6.1 External connection 100 mA

A special connection terminal is located on the connection console.

This connection can be used as external control of a fan.

The terminal for external control is equipped with 220–240V max. 100 mA and is intended solely for the operation of a contactor.

Max. connection 100 mA.

Gnd. must not be used for earthing of external board.

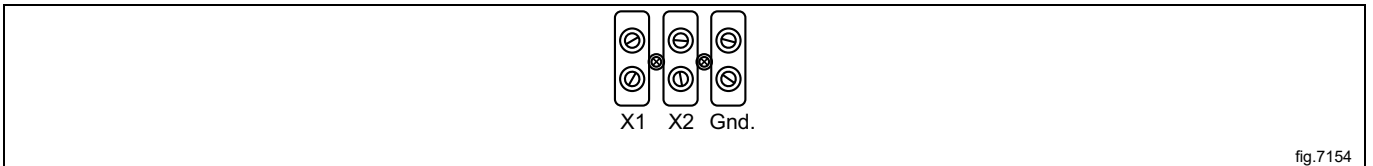


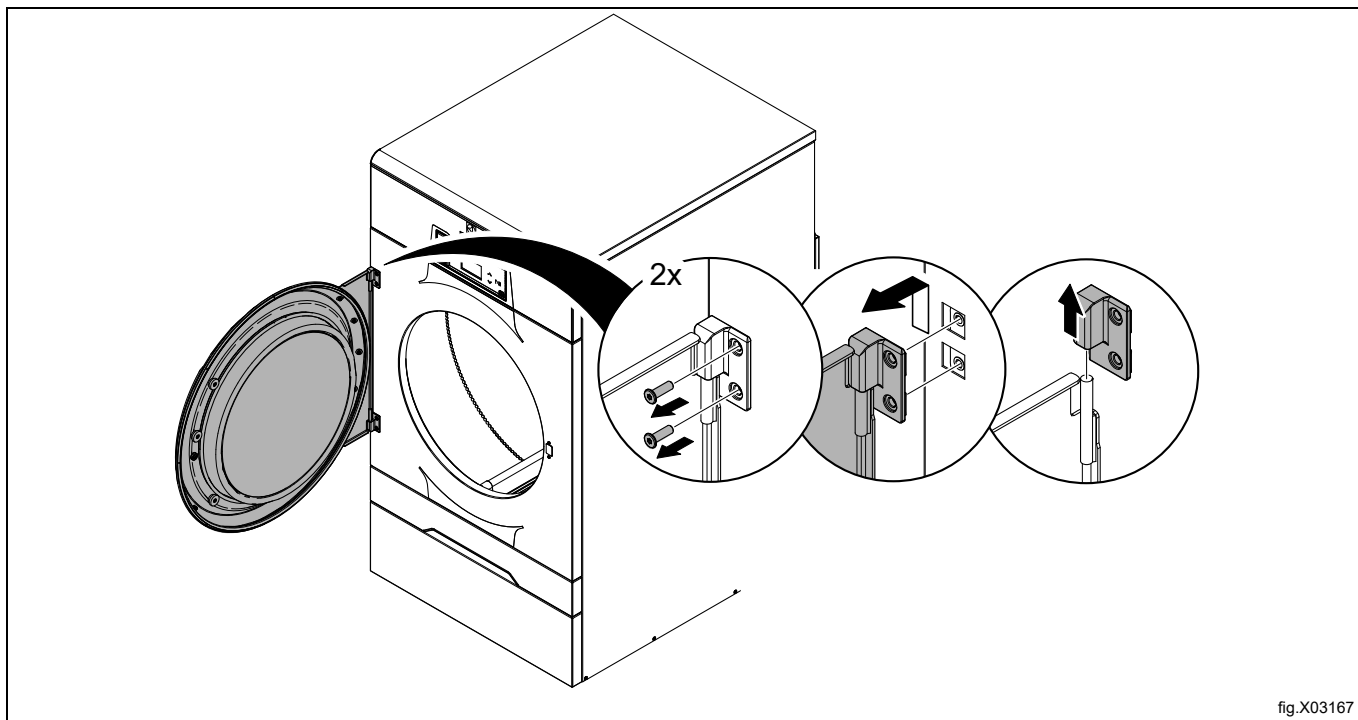
fig.7154

7 Reversing the door

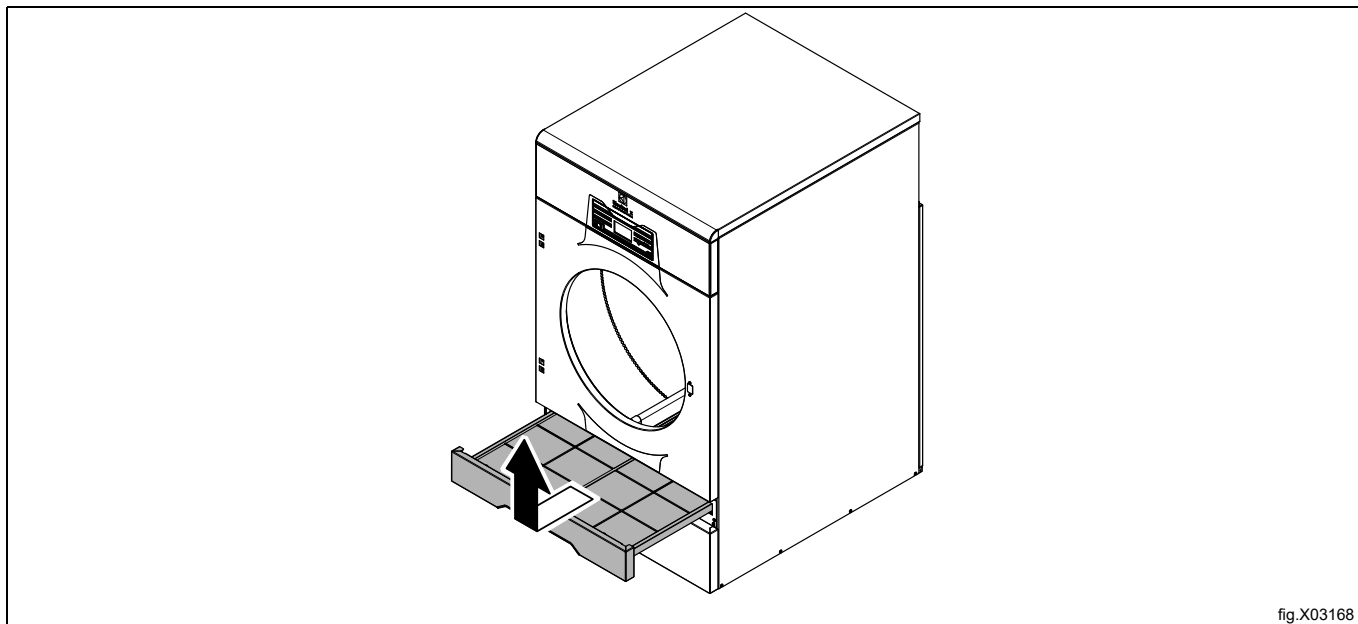
For different reasons it might be necessary to change the hanging of the door from one side to the other. The following procedure shows reversing the door from the left side to the right side as an example.

Disconnect the power to the machine.

Demount the hinges and remove the door. Remove the upper hinge first.



Remove the filter drawer from the machine.



Remove the screws to the door switch magnet.

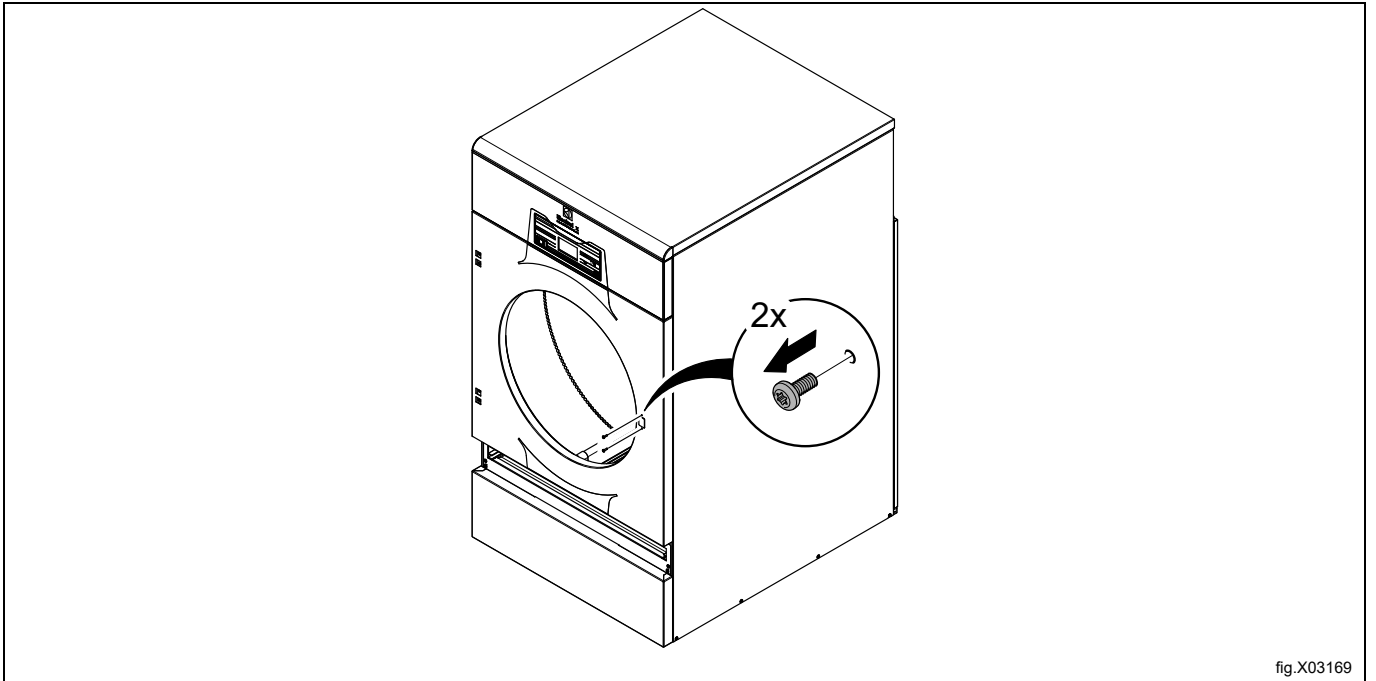


fig.X03169

Demount the top panel.

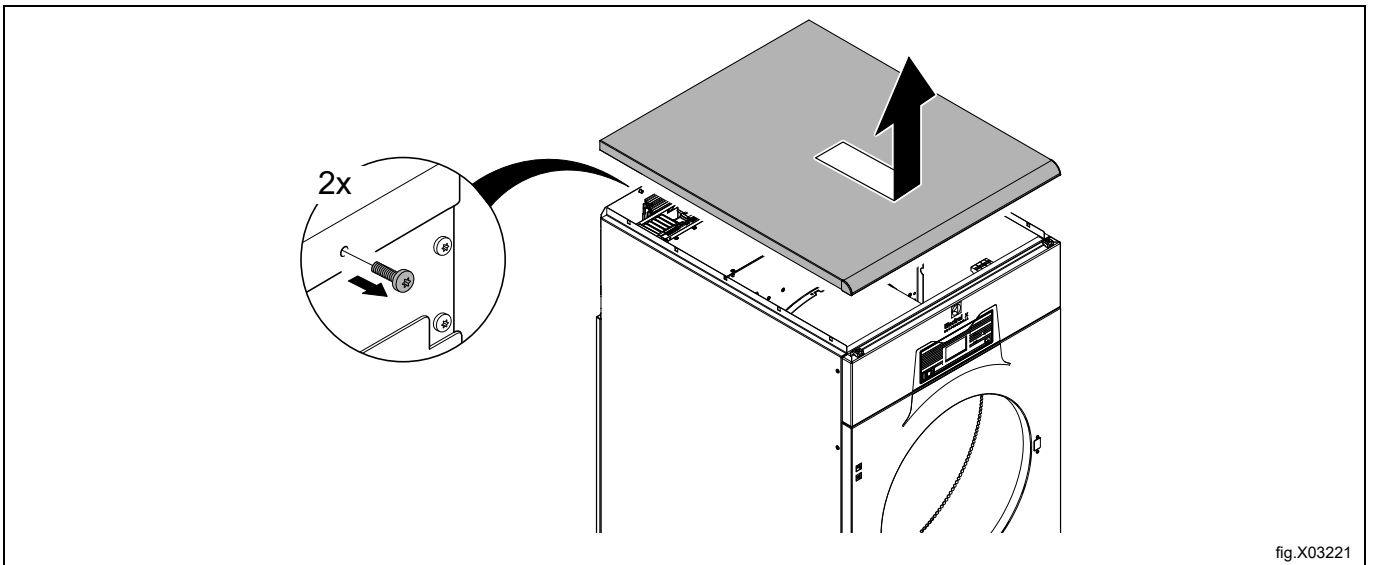
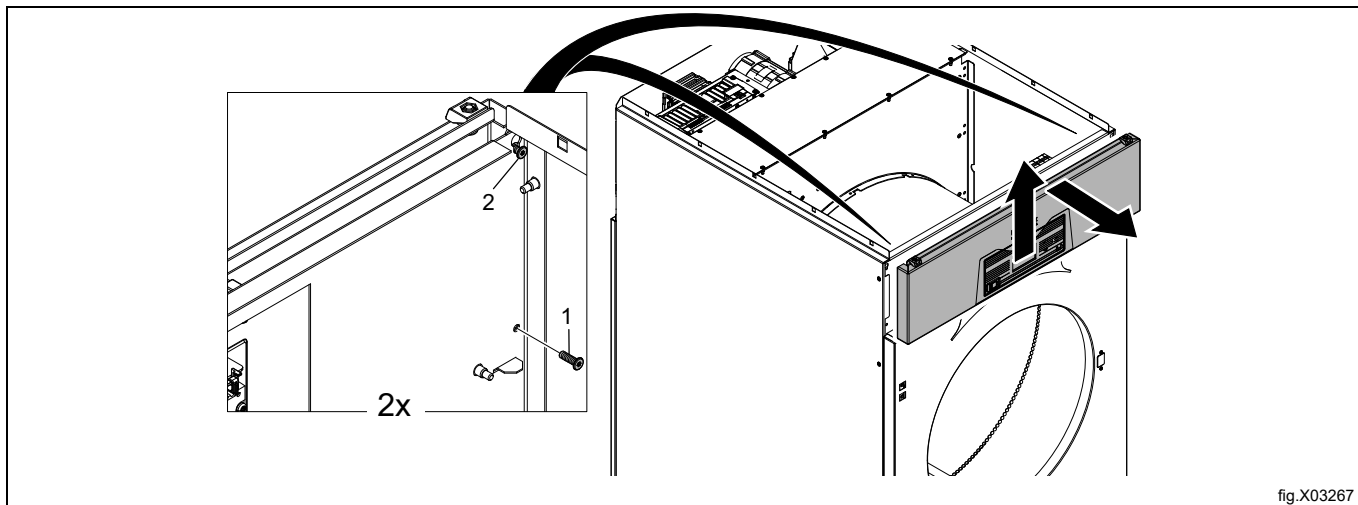


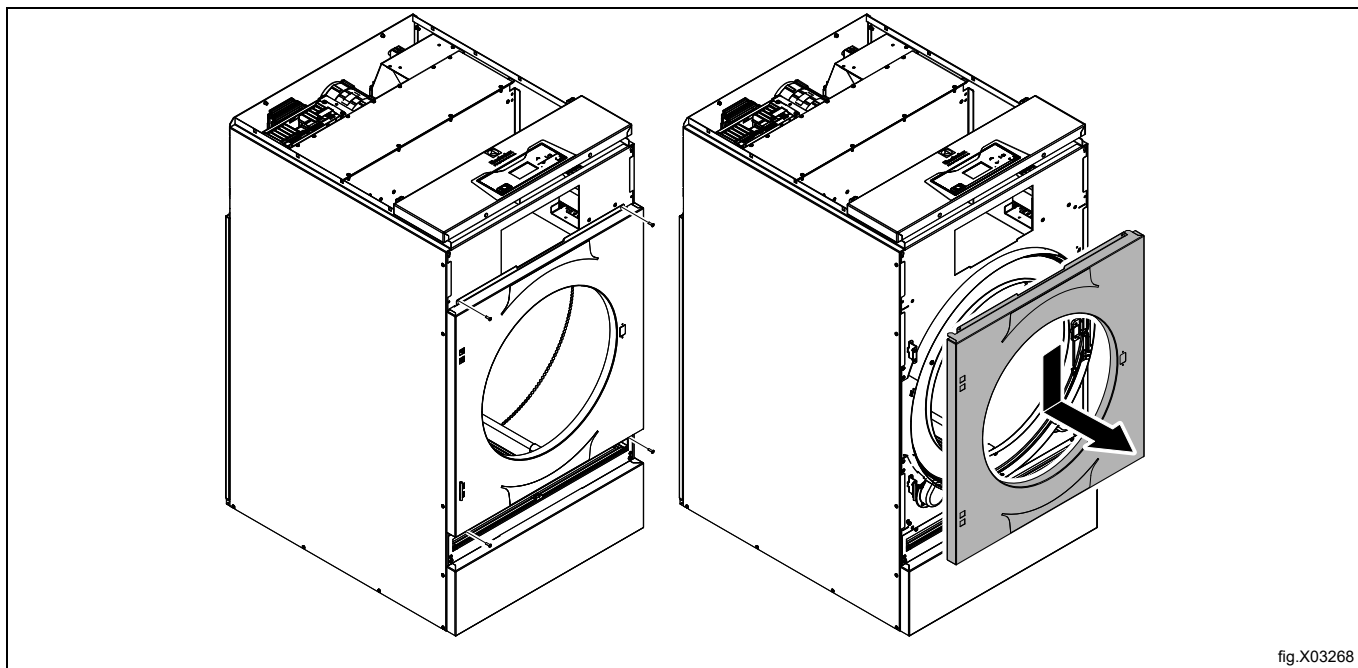
fig.X03221

Demount the control panel. Remove the screws (1) and loosen the screws (2) on each side.

If possible, put the control panel on top of the side panels. If not possible for any reason; disconnect the cables to the control panel and put it elsewhere.



Demount the front panel.



Disconnect the door switch cable. The door switch cable are hanging to the right of the outer drum.
 Remove the upper screw, the cover and the lower screw on the right side.
 Remove the screws on the left side to release the reed switch bracket holding the door switch cable. Pull the door switch cable through the hole to release it.

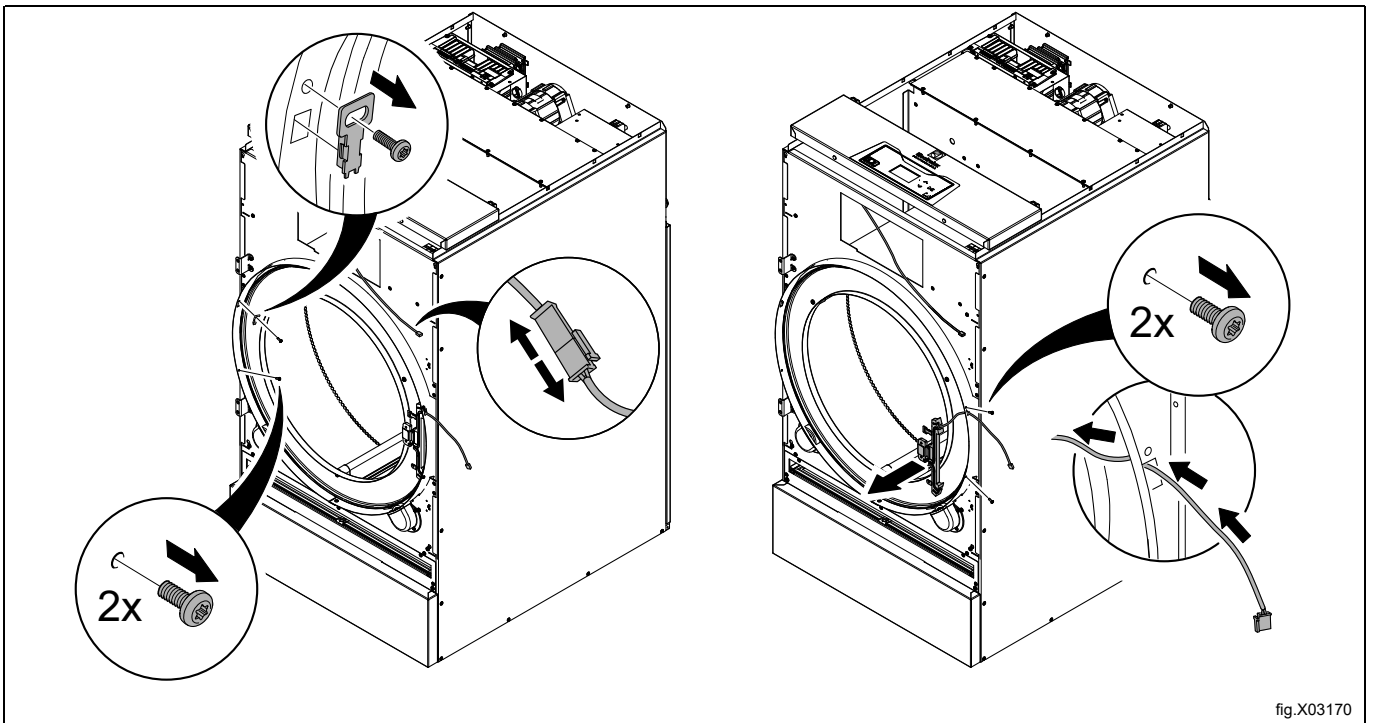


fig.X03170

Demount the brackets and fasten them on the opposite side. Make sure to fasten them according to the figure.

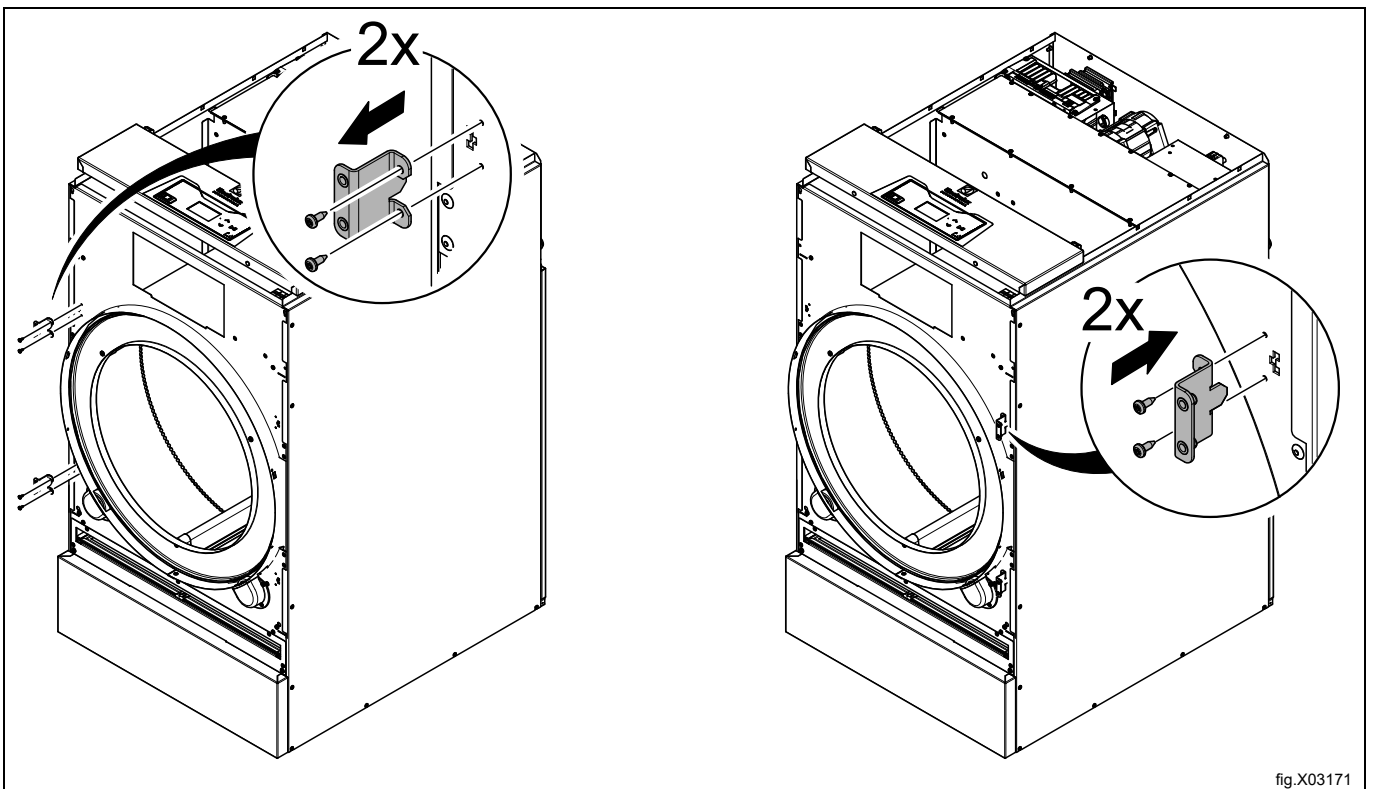
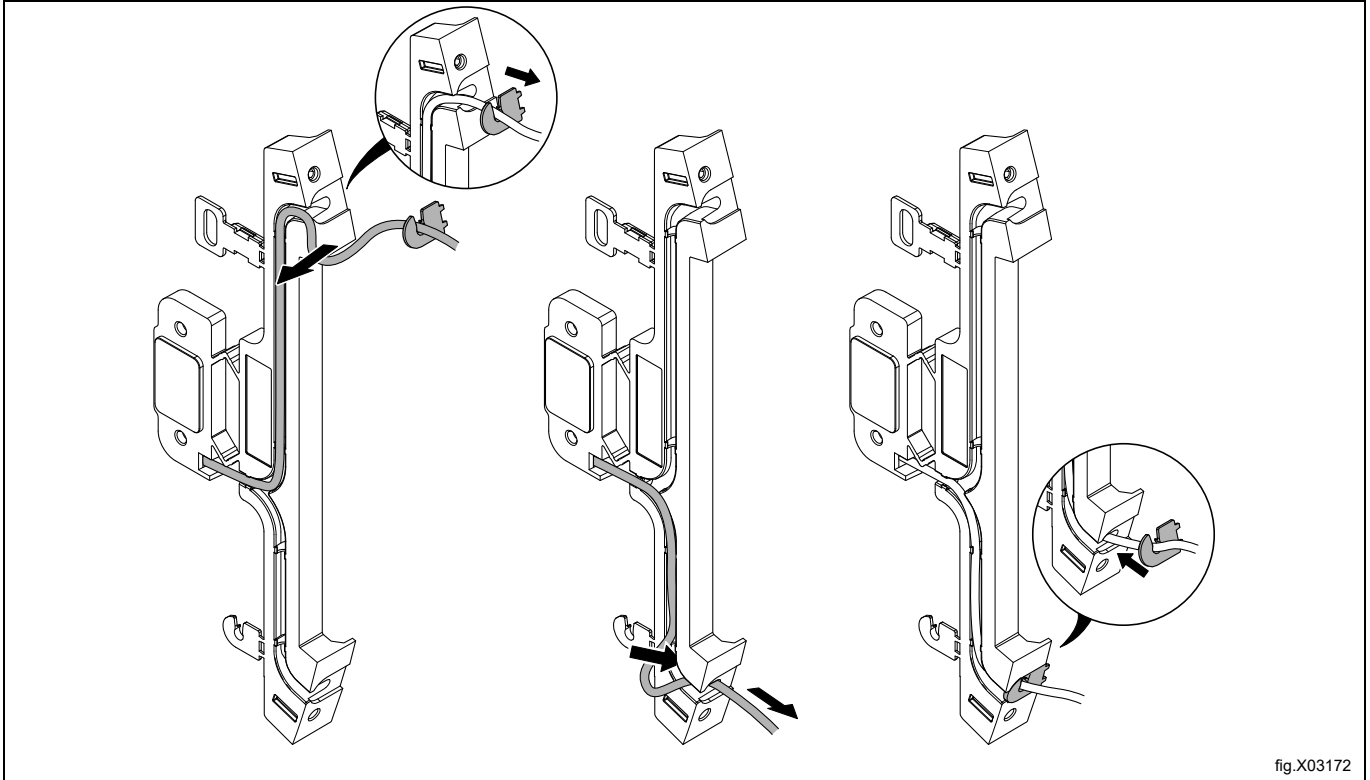


fig.X03171

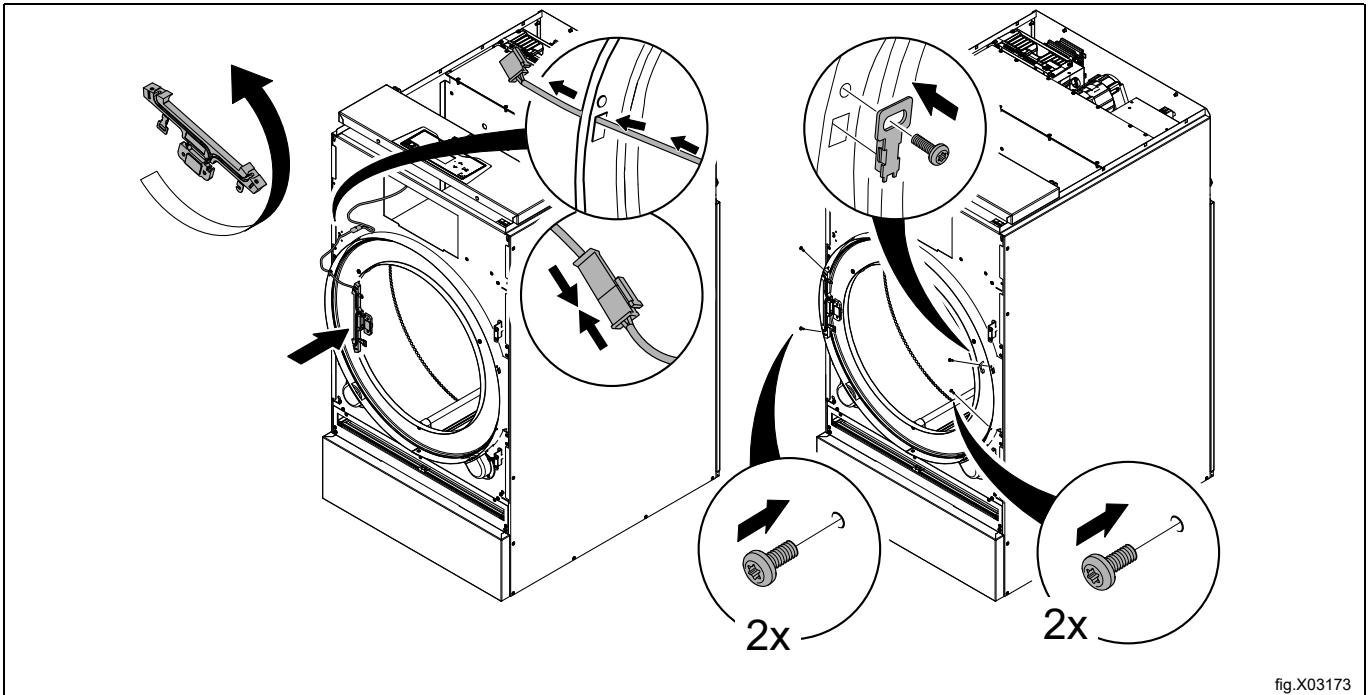
On the reed switch bracket, pull out and move the door switch cable from the upper to the lower position according to the figure. Make sure that the cable and the end piece are in position.



Turn the reed switch bracket up side down and mount it on the right side. Pull the door switch cable out through the hole and connect it.

Fasten the reed switch bracket with the screws on the right side.

Remount the cover and fasten the upper and lower screw on the left side.



Turn the front panel up side down and remount it on the machine.
Remount the front panel.



Ensure that the door switch cable does not get damaged when remounting the front panel.

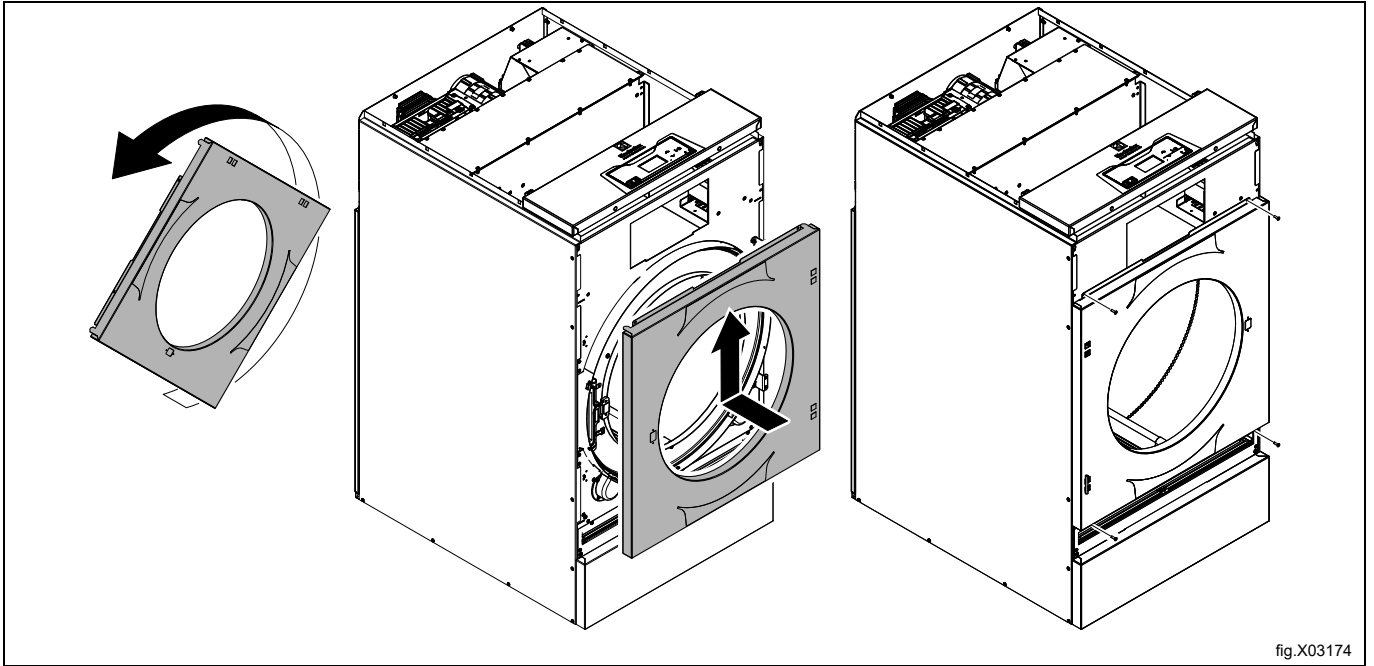


fig.X03174

Remount the control panel.
If any cables were disconnected; connect them at the same location.

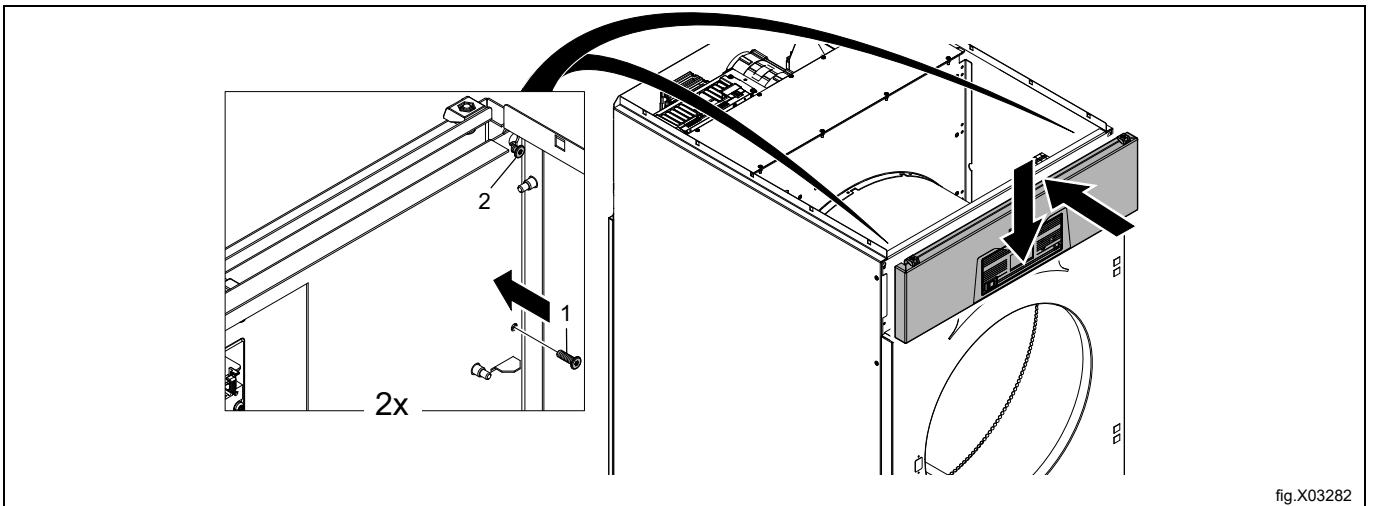


fig.X03282

Remount the top panel.

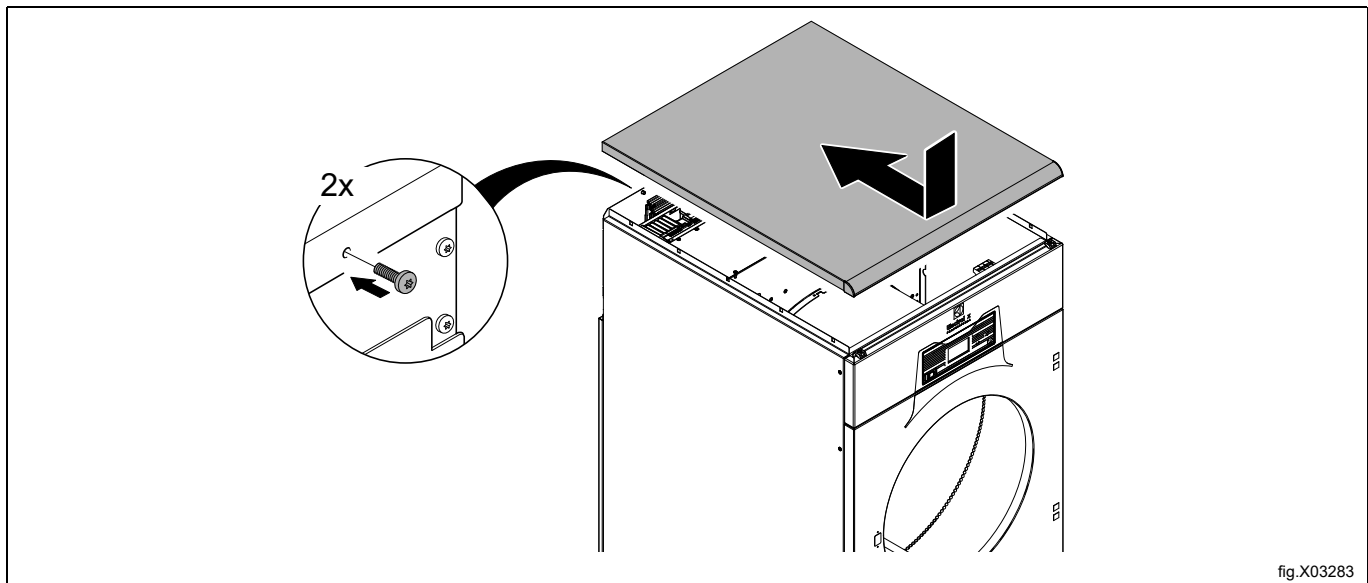


fig.X03283

Fasten the screws to the door switch magnet.

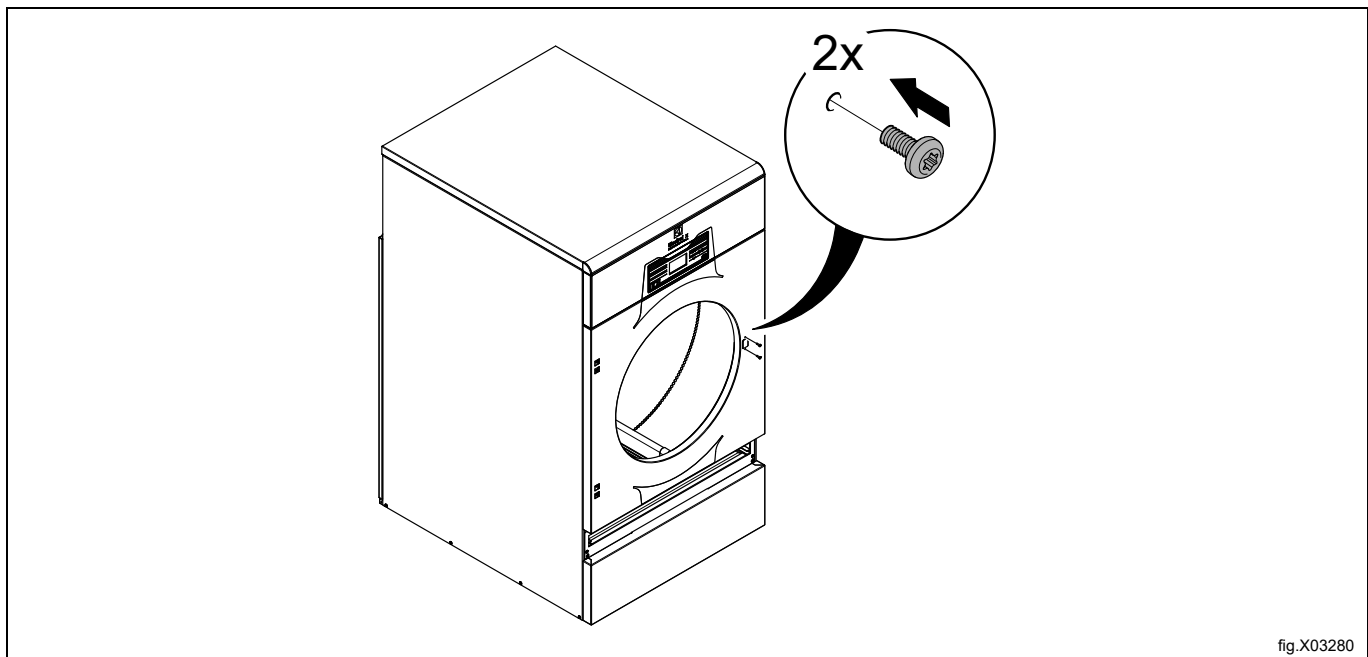


fig.X03280

Insert the filter drawer.

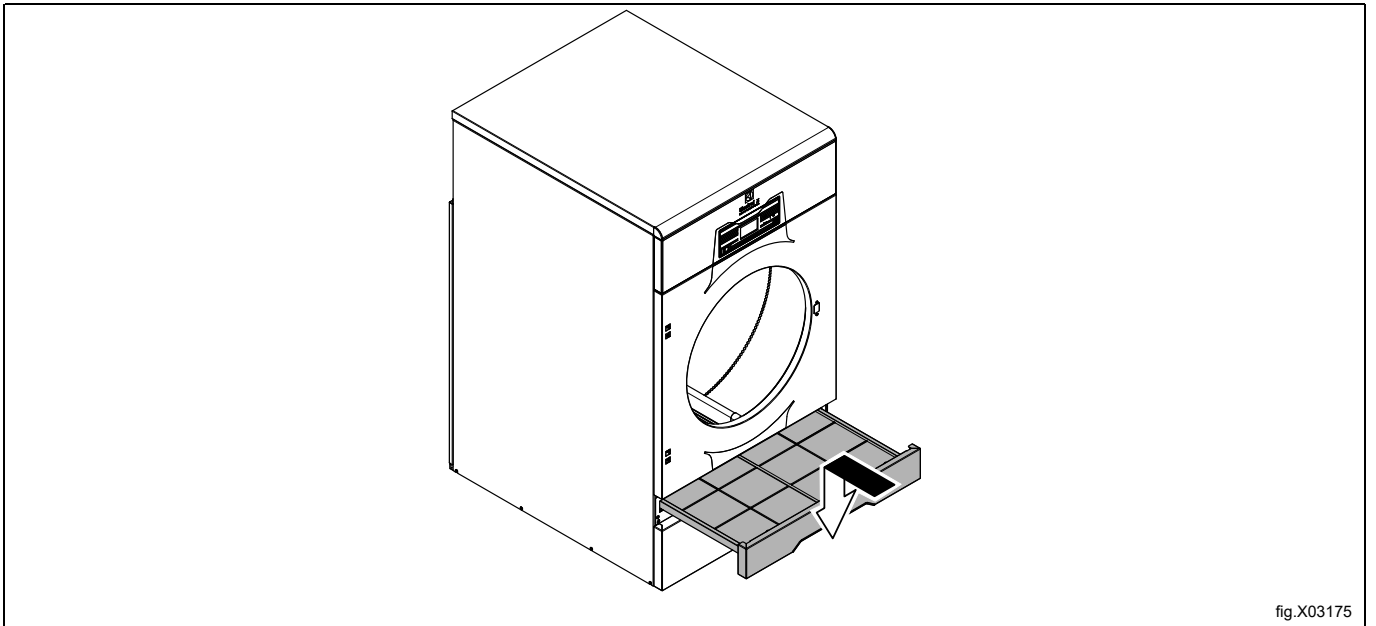


fig.X03175

Turn the door up side down with the inside facing towards you.
 Remount the lower hinge first.
 Position the door on the lower hinge.

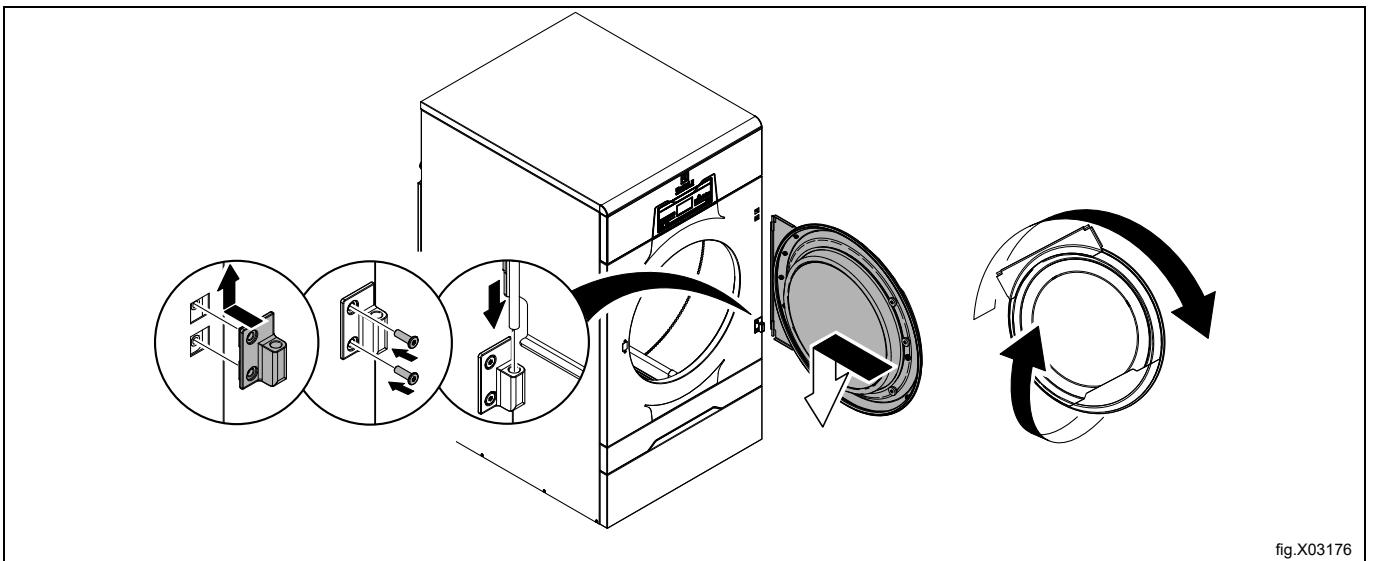


fig.X03176

Put the upper hinge on the door and then fasten the hinge while it is on the door.

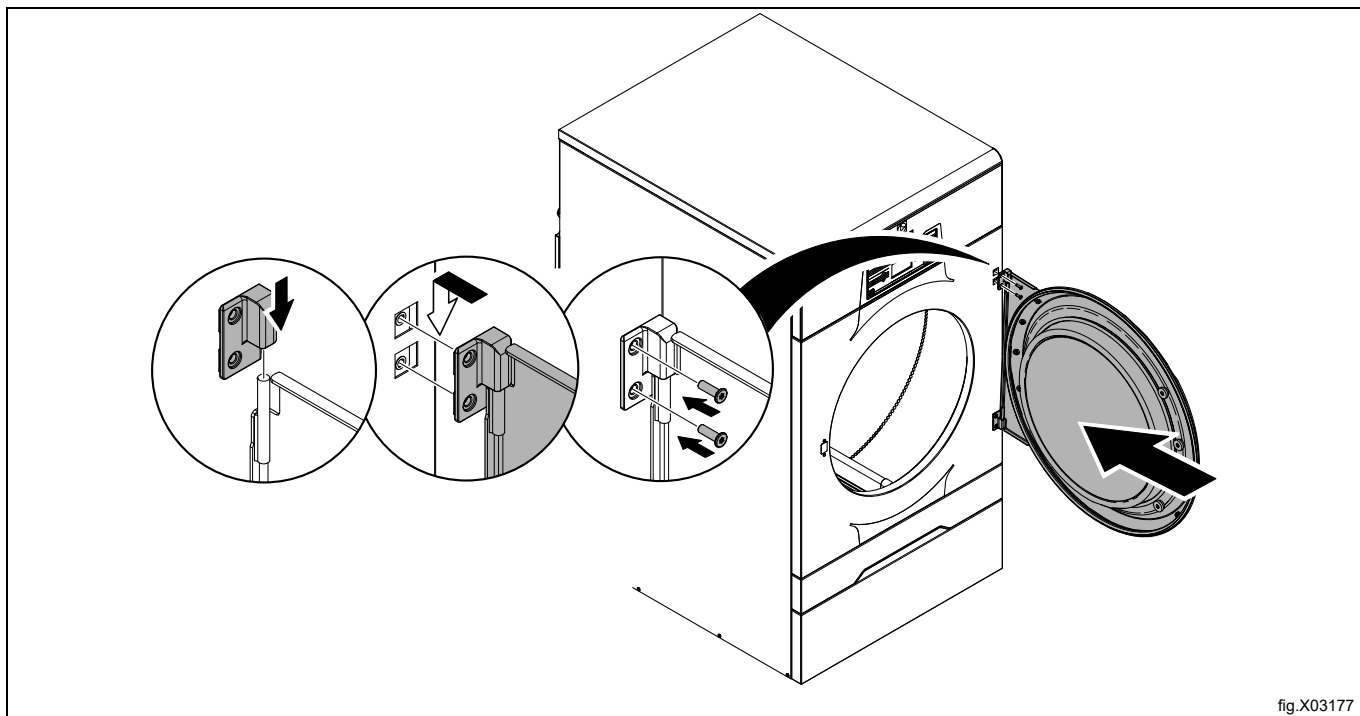


fig.X03177

Connect the power to the machine.

Test run the machine.

8 At first power up

When the installation is complete and the power is connected for the first time you will be forced to make the following settings. When one setting is ready you will automatically enter the next one. Follow the instructions on the display.

- Select language
- Set time and date
- Activate/deactivate the service alarm

8.1 Select language

Select language from the list on the display. Scroll with the up- and down arrows.

This will be the language that all display messages, program names etc will be presented in.

8.2 Set time and date

Select YES and press ►|| to get to the TIME/DATE menu.

Activate the SET TIME menu and set the correct time.

Save the settings.

Activate the SET DATE menu and set the correct date. Start by setting the year.

- Set the year. Exit to continue with a long press on ►|| .
- Set the month. Exit to continue with a long press on ►|| .
- Set the day. Exit with a long press on ►|| and then save with a long press on ►|| .

Exit the menu when ready.

8.3 Activate/Deactivate the service alarm

Set if the machine shall give a service alarm or not with YES or NO.

Exit and save the settings.

9 Function check



May only be carried out by qualified personnel.



A function check must be made when the installation is finished and before the machine can be ready to be used. Whenever a repair has been made, a function check must be performed before the machine can be used again.

Check the automatic stop of the machine

- Start the machine.
- Check if the micro switches are working properly:
The machine must stop if the door is opened.

Check the heat

- Let the machine work for five minutes on a program with heat.
- Check that the heating is working by opening the door and feel if there is heat in the drum.

During a drying cycle, when the square in the lower right corner is fully ticked, it indicates that the heating unit is active / ON. The heating unit can be gas, electric, steam or heat pump type.

If the square box is not ticked, it doesn't mean the heating unit is abnormal. This box is just monitoring the status of the heating unit and shows if it is Active / ON or Inactive / OFF.

- A = Active / ON
- B = Inactive / OFF

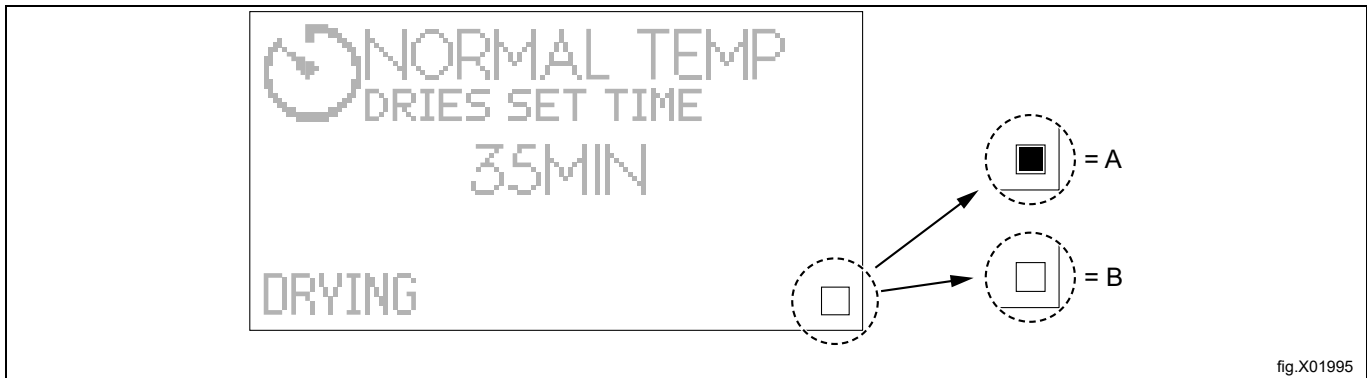


fig.X01995

Ready to use

If all tests are OK the machine is now ready to be used.

If some of the tests failed, or deficiencies or errors are detected, please contact your local service organisation or dealer.

10 Disposal information

10.1 Disposal of appliance at end of life

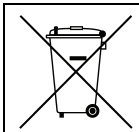
Before disposing of the machine, make sure to carefully check its physical condition, and in particular any parts of the structure that can give or break during scrapping.

The machine's parts must be disposed of in a differentiated way, according to their different characteristics (e.g. metals, oils, greases, plastic, rubber, etc.).

Different regulations are in force in the various countries, therefore comply with the provisions of the laws and competent bodies in the country where scrapping takes place.

In general, the appliance must be taken to a specialised collection/scrapping centre.

Dismantle the appliance, grouping the components according to their chemical characteristics, remembering that the compressor contains lubricant oil and refrigerant fluid which can be recycled, and that the refrigerator and heat pump components are special waste assimilable with urban waste.



The symbol on the product indicates that this product should not be treated as domestic waste, but must be correctly disposed of in order to prevent any negative consequences for the environment and human health. For further information on the recycling of this product, contact the local dealer or agent, the Customer Care service or the local body responsible for waste disposal.


Note!

When scrapping the machine, any marking, this manual and other documents concerning the appliance must be destroyed.

10.2 Disposal of packing

The packing must be disposed of in compliance with the current regulations in the country where the appliance is used. All the packing materials are environmentally friendly.

They can be safely kept, recycled or burned in an appropriate waste incineration plant. Recyclable plastic parts are marked as following examples.

	Polyethylene: <ul style="list-style-type: none"> • Outer wrapping • Instructions bag
	Polypropylene: <ul style="list-style-type: none"> • Straps
	Polystyrene foam: <ul style="list-style-type: none"> • Corner protectors



Electrolux Professional AB
341 80 Ljungby, Sweden
www.electroluxprofessional.com