

Installation manual

Tumble dryer

TD6–20LAC

Type N2...



Electrolux
PROFESSIONAL

Contents

Contents

1	Safety Precautions	5
1.1	Additional safety precautions for gas heated tumble dryer	7
1.2	General information	7
1.3	Commercial use only	7
1.4	Copyright	7
1.5	Ergonomics certification	7
1.6	Symbols	8
2	Technical data	9
2.1	Electric heated machines	9
2.1.1	Drawing	9
2.1.2	Technical data	10
2.2	Steam heated machines	11
2.2.1	Drawing	11
2.2.2	Technical data	12
2.3	Gas heated machines	13
2.3.1	Drawing	13
2.3.2	Technical data	14
2.4	Machines with heat pump	15
2.4.1	Drawing	15
2.4.2	Technical data	16
3	Setup	16
3.1	General	16
3.2	Unpacking	17
3.3	Recycling instruction for packaging	19
3.4	Wheels	20
3.5	Siting	20
3.6	Mechanical installation	21
4	Evacuation system	22
4.1	Air principle	22
4.1.1	Electric-, Steam- and Gas heated machines	22
4.1.2	Machines with heat pump	22
4.2	Fresh air	23
4.3	Exhaust duct	23
4.4	Shared exhaust duct	24
4.5	Exhaust dimensioning	24
4.6	Adjusting the air flow (not valid for tumble dryers with heat pump)	25
5	Electrical connection	31
5.1	Electrical installation	31
5.2	Machine connection with ferrite	32
5.2.1	Machines with AFC or DSC	32
5.3	Single-phase connection	33
5.4	Three-phase connection	34
5.5	Electrical connections	35
6	Steam connection	35
6.1	Connecting the steam	35
7	Gas connection	36
7.1	Fasten the label	36
7.2	General	37
7.3	Gas installation	37
7.4	Table of pressure and adjustment	38
7.5	Test run	38
7.6	Converting instructions	40
7.7	Data label	42
8	Reversing the door	43
9	At first power up	48
9.1	Select language	48
9.2	Set time and date	48
9.3	Activate/Deactivate the service alarm	48
10	Function check	49
11	Disposal information	52
11.1	Disposal of appliance at end of life	52

Contents

11.2 Disposal of packing	52
--------------------------------	----

The manufacturer reserves the right to make changes to design and component specifications.

1 Safety Precautions

- Servicing shall be carried out only by authorized personnel.
- Only authorized spare parts, accessories and consumables shall be used.
- The machine is not to be used if industrial chemicals have been used for cleaning.
- Do not dry unwashed items in the machine.
- Items that have been soiled with substances such as cooking oil, acetone, alcohol, petrol, kerosene, spot removers, turpentine, waxes and wax removers should be washed in hot water with an extra amount of detergent before being dried in the machine.
- Items such as foam rubber (latex foam), shower caps, waterproof textiles, rubber backed articles and clothes or pillows fitted with foam rubber pads should not be dried in the machine.
- Fabric softeners or similar products should be used as specified by the fabric softener instructions.
- The final part of a drying cycle occurs without heat (cool down cycle) to ensure that the items are left at a temperature that ensures that the items will not be damaged.
- Remove all objects from pockets such as lighters and matches.
- **WARNING.** Never stop the machine before the end of the drying cycle unless all items are quickly removed and spread out so that the heat is dissipated.
- Adequate ventilation has to be provided to avoid the back flow of gases into the room for appliances burning other fuels, including open fires.
- Exhaust air must not be discharged into a flue which is used for exhausting fumes from appliances burning gas or other fuels.
- The machine must not be installed behind a lockable door, a sliding door or a door with a hinge on the opposite side to that of the machine in such a way that a full opening of the machine is restricted.
- If the machine has a lint trap this has to be cleaned frequently.
- The lint must not be accumulated around the machine.
- **DO NOT MODIFY THIS APPLIANCE.**
- When performing service or replacing parts, the power must be disconnected.
- When the power is disconnected, the operator must see that the machine is disconnected (that the plug is removed and remains removed) from any point to which he has access. If this is not possible, due to the construction or installation of the machine, a disconnection with a locking system in the isolated position shall be provided.
- In accordance with the wiring rules: mount a multi-pole switch prior to the machine to facilitate installation and service operations.
- Stationary appliances not fitted with means for disconnection from the supply mains having a contact separation in all poles that provide full disconnection under overvoltage category III, means for disconnection must be incorporated in the fixed wiring in accordance with the wiring rules.
- **WARNING:** The appliance must not be supplied through an external switching device, such as a timer, or connected to a circuit that is regularly switched on and off by a utility.
- If different rated voltages or different rated frequencies (separated by a /) are stated at the machine data plate, instructions for adjusting the appliance for operation at the required rated voltage or rated frequency are stated in the installation manual.
- The openings in the base, shall not be obstructed by a carpet.

- Oil-affected items can ignite spontaneously, especially when exposed to heat sources such as in a tumble dryer. The items become warm, causing an oxidation reaction in the oil. Oxidation creates heat. If the heat cannot escape, the items can become hot enough to catch fire. Piling, stacking or storing oil-affected items can prevent heat from escaping and so create a fire hazard.
- If it is unavoidable that fabrics that contain vegetable or cooking oil or have been contaminated by hair care products be placed in a tumble dryer they should first be washed in hot water with extra detergent – this will reduce, but not eliminate, the hazard.
- Maximum mass of dry cloth: 20 kg.
- A-weighted emission sound pressure level at working stations: 70 dB(A).
- Additional requirements for the following countries; AT, BE, BG, HR, CY, CZ, DK, EE, FI, FR, DE, GR, HU, IS, IE, IT, LV, LT, LU, MT, NL, NO, PL, PT, RO, SK, SI, ES, SE, CH, TR, UK:
 - The appliance can be used in public areas.
 - This appliance can be used by children aged from 8 years and above and persons with reduced physical, sensory or mental capabilities or lack of experience and knowledge if they have been given supervision or instruction concerning use of the appliance in a safe way and understand the hazards involved. Children shall not play with the appliance. Cleaning and user maintenance shall not be made by children without supervision.
- Additional requirements for other countries:
 - This appliance is not intended for use by persons (including children) with reduced physical, sensory or mental capabilities, or lack of experience and knowledge, unless they have been given supervision or instruction concerning use of the appliance by a person responsible for their safety. Children should be supervised to ensure that they do not play with the appliance.

1.1 Additional safety precautions for gas heated tumble dryer

- Before installation, check that the local distribution conditions, nature of gas and pressure and the adjustment of the appliance are compatible.
- The machine is not to be installed in rooms containing cleaning machines with perchloroethylene, TRICHLOROETHYLENE or CHLOROFLUOROCONTAINING HYDROCARBONS as cleaning agents.
- NOTE: it is pointed out that the connection and commissioning of appliances complying with this standard are subject to observance of the installation regulations in force in the countries where these appliances are marketed.
- Connection to the appliance shall be made with a flexible hose suitable for the appliance category in accordance with national installation regulations of the country of destination and that in case of doubt the installer shall contact the supplier.
- The appliance should be installed on non-flammable materials for the floor, worktop and/or wall close to the appliance if required.
- If you can smell gas:
 - Do not switch on any equipment
 - Do not use electrical switches
 - Do not use telephones in the building
 - Evacuate the room, building or area
 - Contact the person responsible for the machine

1.2 General information

Conditions for storage and transportation of the appliance should fulfil a temperature between -20°C / + 70°C and max Humidity of 95% RH.

In order to prevent damage to the electronics (and other parts) that may occur as the result of condensation, the machine should be placed in room temperature for 24 hours before being used for the first time.

Electric power supply should follow:

- Max range for each country rated voltage: -15% / +10%.
- Max range for each country rated frequency: ± 3 Hz.
- Dips/Interruption: 5 Dips/day (100% voltage lost, with 3-4 minutes duration).

A stable power supply is always the best. Fluctuations gives stress and additional load on all electric and electronic components.

1.3 Commercial use only

The machine/machines covered by this manual is/are made for commercial and industrial use only.

1.4 Copyright

This manual is intended solely for consultation by the operator and can only be given to third parties with the permission of Electrolux Professional AB company.

1.5 Ergonomics certification

The human body is designed for movement and activity but physical stress injuries as a result of static and repetitive movements or unfavorable working postures may occur.

The ergonomic features of your product, the ones which may influence your physical and cognitive interaction with it, have been assessed and certified.

A product which exhibits ergonomic features, in fact, shall fulfil specific ergonomic requirements, belonging to three different areas: Polytechnic, Biomedical and Psychosocial (usability and satisfaction).

For each of these areas, specific tests with real users have been performed. The product was therefore compliant with the ergonomic acceptability criteria requested by the standards.







In case several machines are managed by the same operator the repetitive movements will increase and as a consequence of this the related biomechanical risk will increase exponentially.

The possible postural risks are the interaction with the user interface, display and buttons.

Follow the below recommendations to avoid, as much as possible, operators acquiring bodily injury.

- Make sure there are suitable trolleys or baskets for loading, unloading and transportation.
- Organize job rotation in the working place in the case several machines are managed by the same operator.

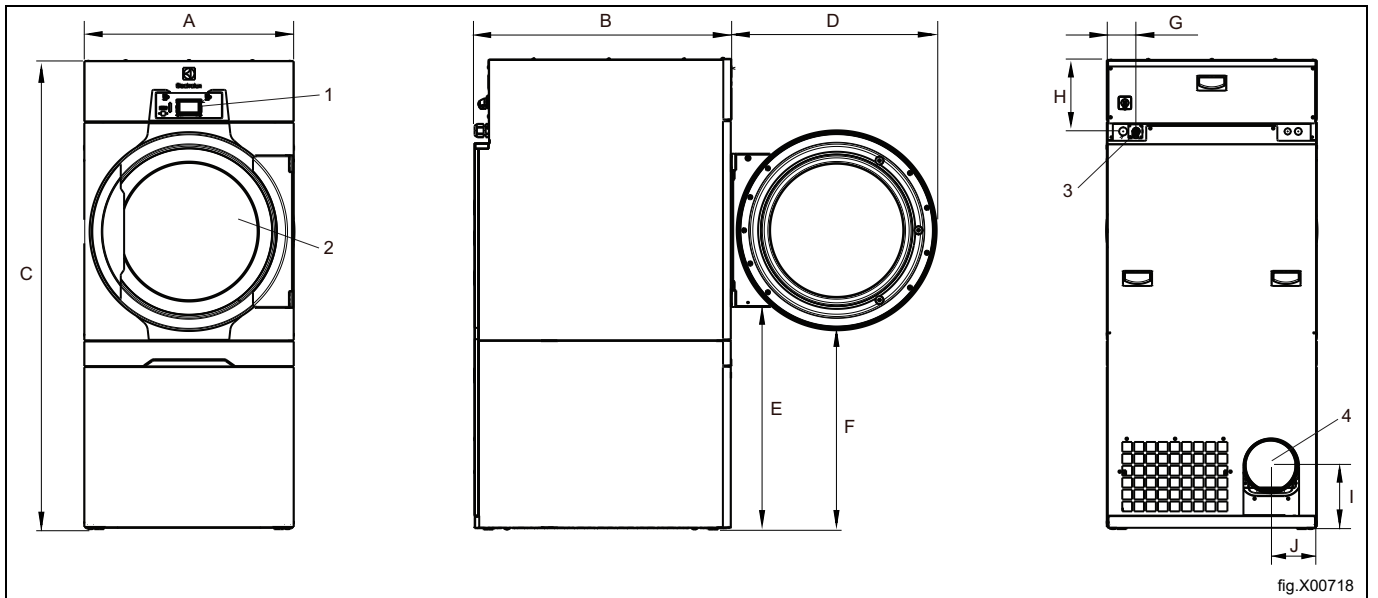
1.6 Symbols

	Caution
	Caution, hot surface
	Caution, high voltage
	Warning, risk of fire / flammable material
	Danger, crush hazard
	Read the instructions before using the machine

2 Technical data

2.1 Electric heated machines

2.1.1 Drawing



1	Operating panel
2	Door opening, \varnothing 580 mm
3	Electrical connection
4	Exhaust connection

	A	B	C	D	E	F
mm	795	1200	1770	775	835	750

	G	H	I	J
mm	110	270	240	175

2.1.2 Technical data

Weight, net	kg	231
Drum volume	liters	360
Drum diameter	mm	755
Drum depth	mm	831
Drum speed, medium load	rpm	43
Rated capacity, filling factor 1:18 (Max. load)	kg	20
Rated capacity, filling factor 1:22 (Recommended load)	kg	16.4
Heating: Electricity	kW	18.0
Optimum air flow, 18.0 kW**	m ³ /h	580
Optimum static back pressure, 18.0 kW**	Pa	580
Maximum static back pressure, 18.0 kW**	Pa	600
Sound power/pressure level at drying*	dB(A)	72/56
Heat emission of installed power, max	%	15

* Sound power levels measured according to ISO 60704.

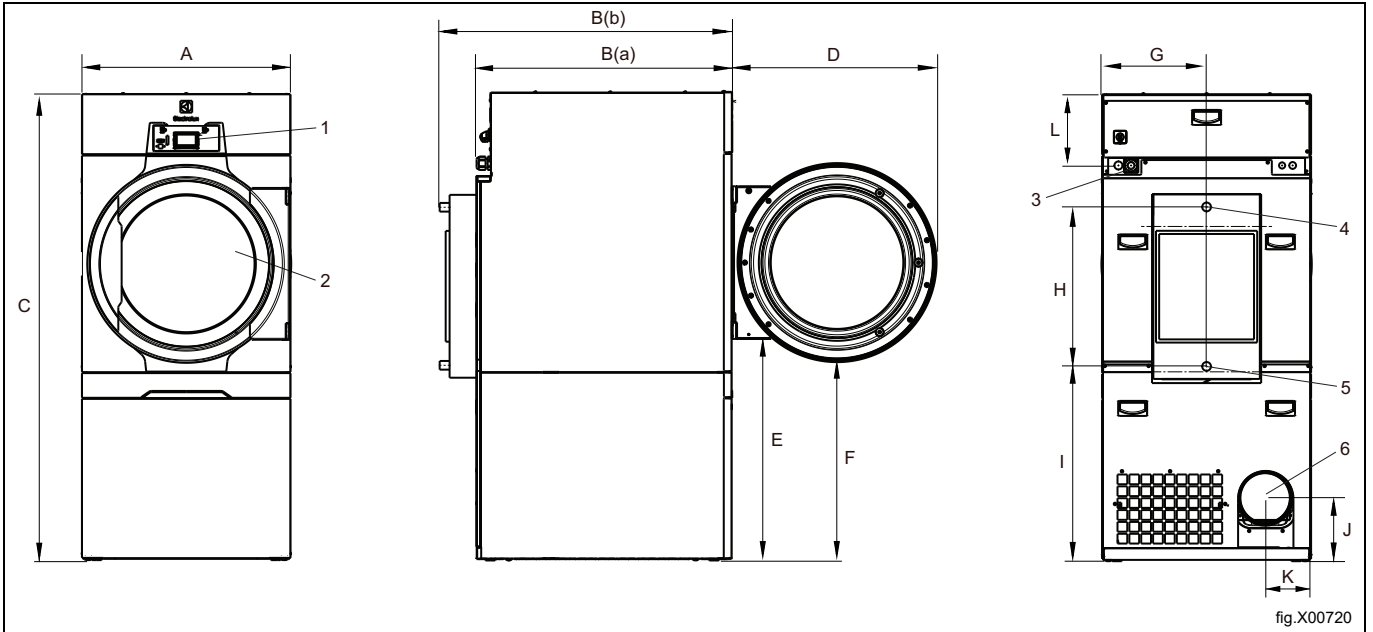
** In a cold empty machine.

Connections

Air outlet	ø mm	200
------------	------	-----

2.2 Steam heated machines

2.2.1 Drawing



1	Operating panel
2	Door opening, \varnothing 580 mm
3	Electrical connection
4	Steam connection
5	Condensate connection
6	Exhaust connection

	A	B (a)	B (b)	C	D	E
mm	790	1200	1340	1770	775	835

	F	G	H	I	J	K
mm	750	395	605	740	240	175

	L
mm	110

2.2.2 Technical data

Weight, net	kg	238
Drum volume	liters	360
Drum diameter	mm	755
Drum depth	mm	831
Drum speed, medium load	rpm	43
Rated capacity, filling factor 1:18 (Max. load)	kg	20
Rated capacity, filling factor 1:22 (Recommended load)	kg	16.4
Heating: Steam at 700 kPa	kW	25.0
Steam pressure	kPa	100–1000
Optimum air flow**	m ³ /h	690
Optimum static back pressure**	Pa	570
Maximum static back pressure**	Pa	600
Sound power/pressure level at drying*	dB(A)	72/56
Heat emission of installed power, max	%	15

* Sound power levels measured according to ISO 60704.

** In a cold empty machine.

Connections

Air outlet	∅ mm	200
Steam inlet/outlet		ISO 7/1–R1

2.3 Gas heated machines

2.3.1 Drawing

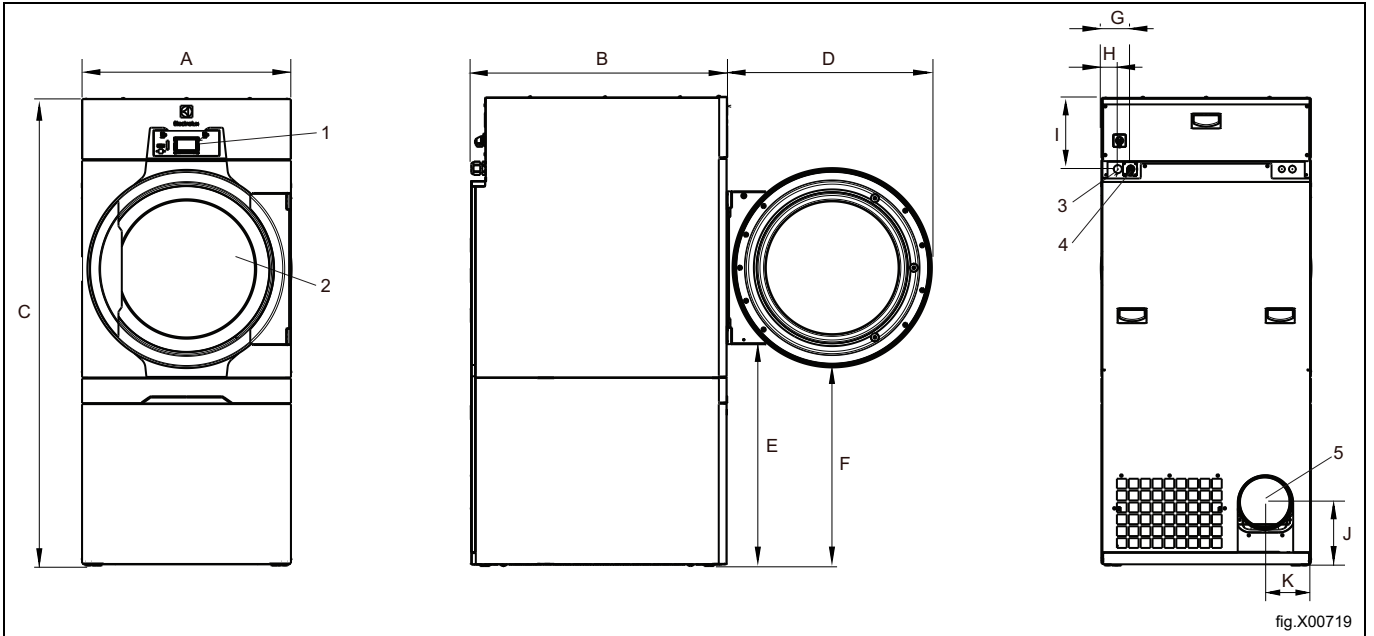


fig.X00719

1	Operating panel
2	Door opening, \varnothing 580 mm
3	Electrical connection
4	Gas connection
5	Exhaust connection

	A	B	C	D	E	F
mm	795	1200	1770	775	835	750

	G	H	I	J	K
mm	110	60	270	240	175

2.3.2 Technical data

Weight, net	kg	231
Drum volume	liters	360
Drum diameter	mm	755
Drum depth	mm	831
Drum speed, medium load	rpm	43
Rated capacity, filling factor 1:18 (Max. load)	kg	20
Rated capacity, filling factor 1:22 (Recommended load)	kg	16.4
Heating: Gas	kW	21.0
Optimum air flow**	m ³ /h	690
Optimum static back pressure**	Pa	570
Maximum static back pressure**	Pa	600
Sound power/pressure level at drying*	dB(A)	72/56
Heat emission of installed power, max	%	15

* Sound power levels measured according to ISO 60704.

** In a cold empty machine.

Note!

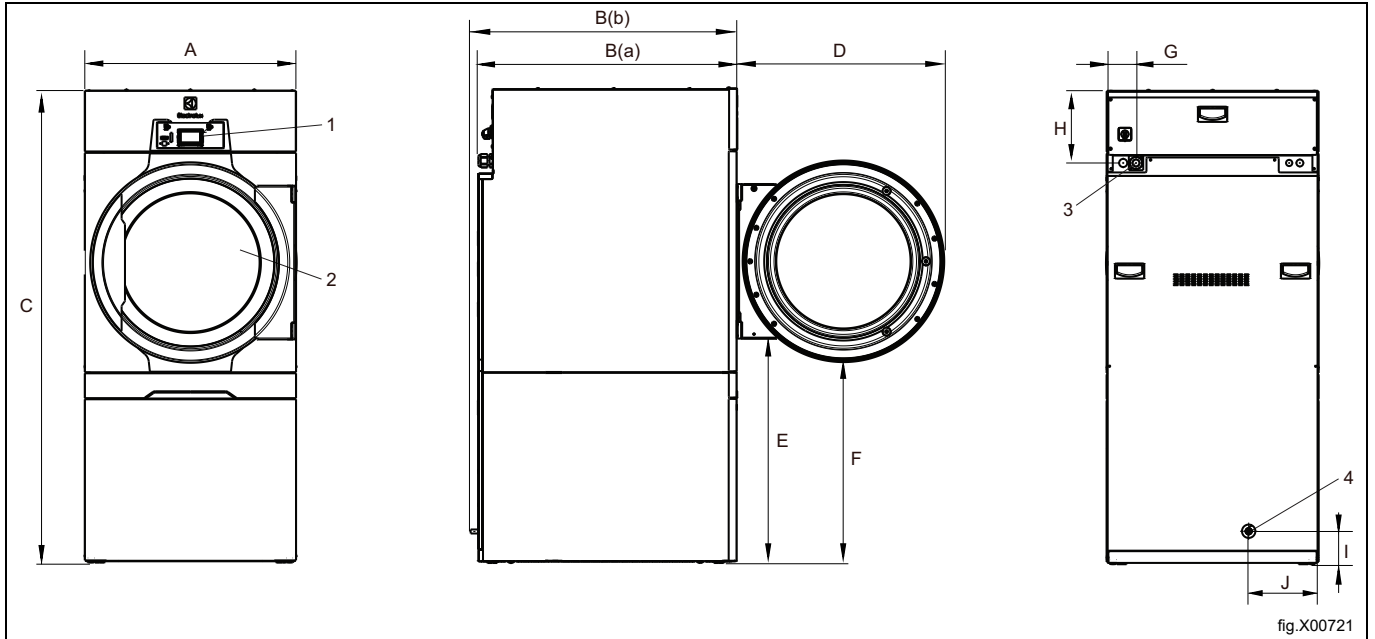
The default gas appliances are built to run on either GNH or LPG gas where shall be installed at not over than 610 m (2001 ft) high altitude otherwise a kit for high altitude must be installed to the machine. For the kit No. please refer to the spare parts list.

Connections

Air outlet	ø mm	200
Gas connection	1/2"	ISO 7/1-R1/2

2.4 Machines with heat pump

2.4.1 Drawing



1	Operating panel
2	Door opening, \varnothing 580 mm
3	Electrical connection
4	Drain for condense water

	A	B (a)	B (b)	C	D	E
mm	790	1200	1230	1770	775	835

	F	G	H	I	J
mm	750	110	270	125	260

2.4.2 Technical data

Weight, net	kg	281
Drum volume	liters	360
Drum diameter	mm	755
Drum depth	mm	831
Drum speed, medium load	rpm	43
Rated capacity, filling factor 1:18 (Max. load)	kg	20
Rated capacity, filling factor 1:22 (Recommended load)	kg	16.4
Optimum air flow**	m ³ /h	N/A
Optimum static back pressure**	Pa	N/A
Maximum static back pressure**	Pa	N/A
Sound power/pressure level at drying*	dB(A)	72/56
Average heat emission per drying cycle used to assess ventilation need***	kW	1.5
Ambient operating temperature	°C	+10 – +45

* Sound power levels measured according to ISO 60704.

** In a cold empty machine.

*** For assistance with dimensioning necessary ventilation needs, contact authorized ventilation technician. For sufficient ventilation all sources introducing heat need to be taken into account plus all other parameters effecting the ventilation need. Climate zone, building parameters, room size, etc.

Connections

Pipe connection, condensed water	ø mm	15
----------------------------------	------	----

Heat pump

Type of refrigerant		R134a
Amount of refrigerant	kg	1.6

Fluorinated greenhouse gases

This product contains fluorinated greenhouse gases:

R134a: 1.600 kg

GWP 1430

CO₂ equivalent 2.288 t

Hermetically sealed

3 Setup

3.1 General

The principle work flow to setup or install this machine is as follows:

Gas-, Electric-, Steam heating:

1. Unpacking
2. Positioning/siting, levelling or/and securing the machine.
3. Correcting the fresh air/air intake's size, exhaust duct's size and pipe(s) connections in considering a stand-alone machine or sharing exhaust duct.
4. Electric connections, connect the power supply to the machine.
5. Air flow or static back pressure adjustments in a cold empty machine in considering a stand-alone machine or sharing exhaust duct.
6. Gas connection, gas converting, high altitude kit installation. (For gas heated machine).
7. Function check.
8. Option functions check.

More details are described in each part of this installation manual.

Heat pump heating:

1. Unpacking
2. Positioning/siting, levelling or/and securing the machine.
3. Correcting the fresh air to compensate the heat emission of machine(s) and connect the drain(s).
4. Electric connections, connect the power supply to the machine.
5. Function check.
6. Option functions check.

More details are described in each part of this installation manual.

3.2 Unpacking

Note!

A minimum of two persons are required for the unpacking of the unit.

Remove the filter drawer and demount the lower front panel.

Demount the rear panel.

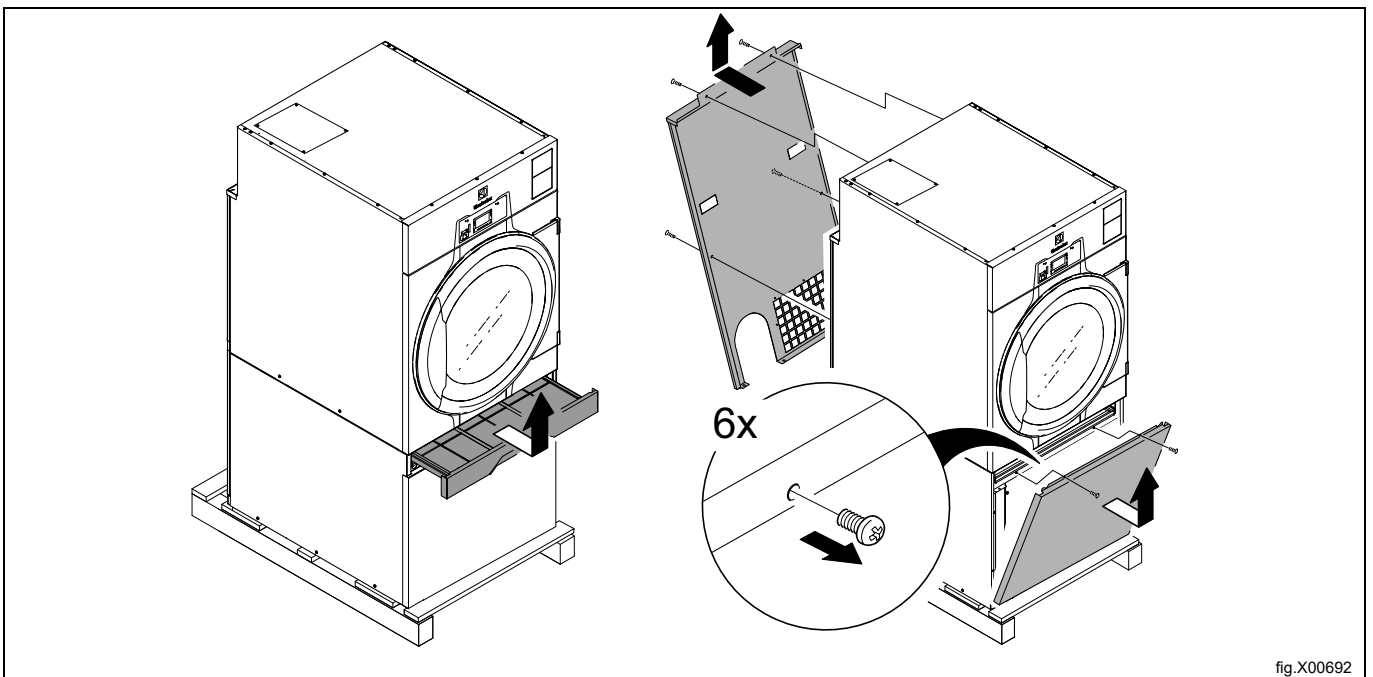


fig.X00692

Remove the bolts between the machine and pallet.
Remove the machine from the pallet.

Note!

When moving the machine, handle it with care. The drum has no transport clamps.

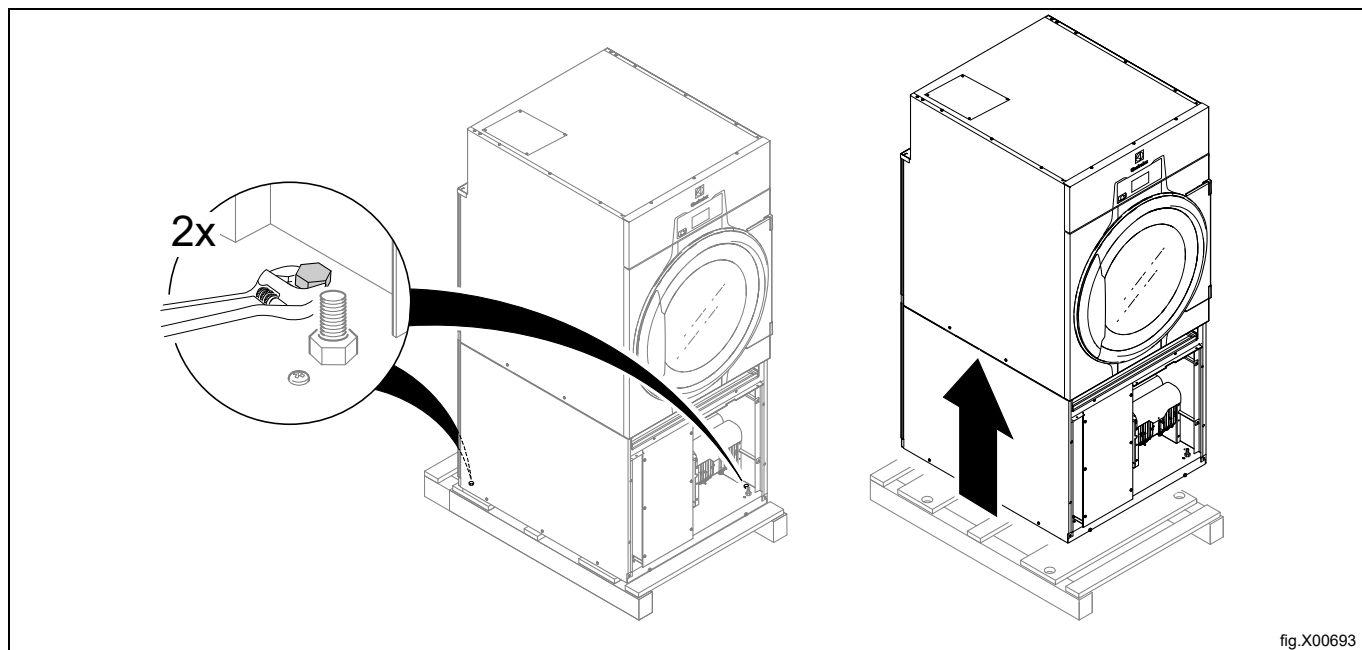


fig.X00693

Place the machine on its final position, rolling it on its wheels.

3.3 Recycling instruction for packaging

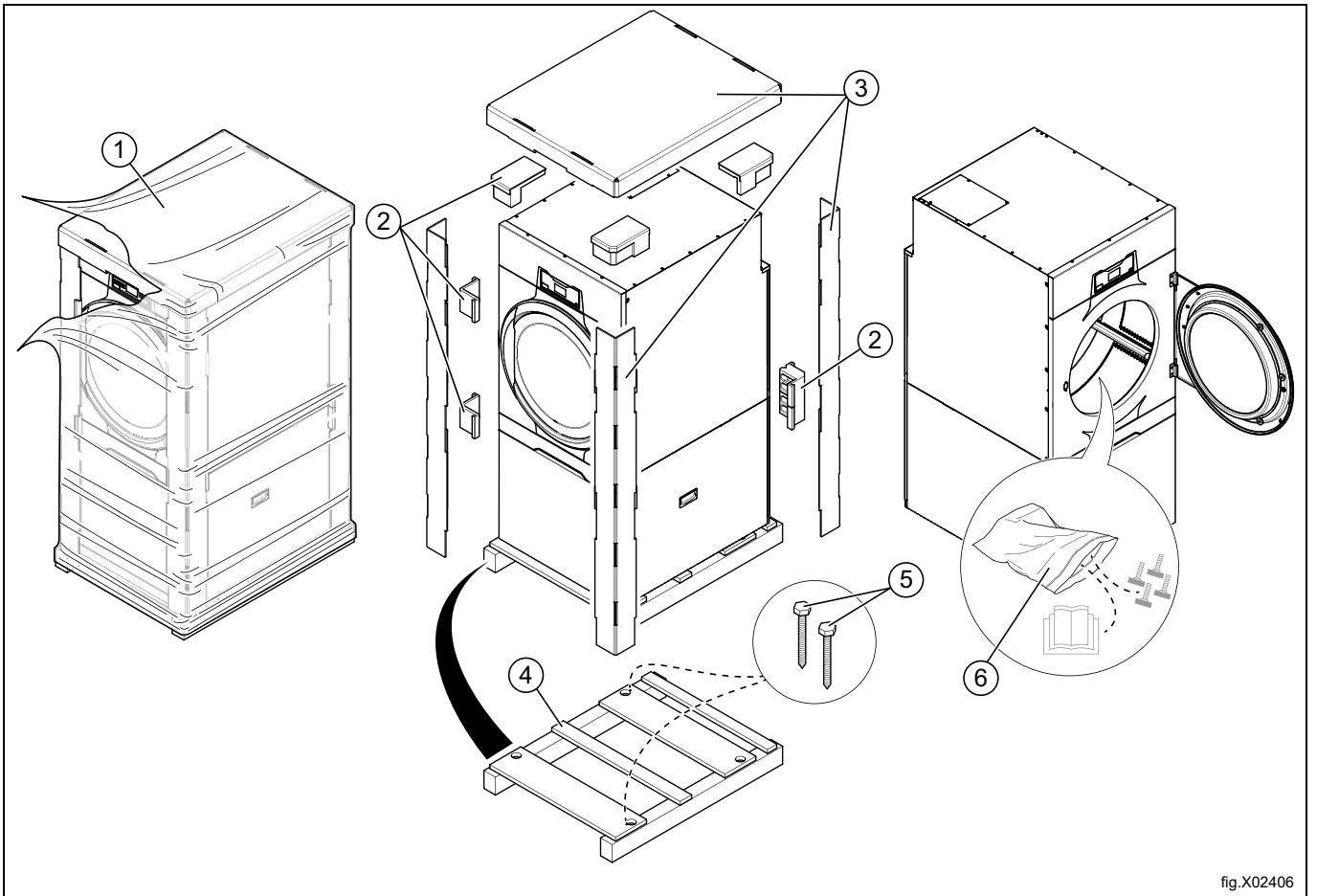


fig.X02406

Fig.	Description	Code	Type
1	Wrapping film	LDPE 4	Plastics
2	Corner protection	PS 6	Plastics
3	Cardboard packaging	PAP 20	Paper
4	Pallet	FOR 50	Wood
5	Screw	FE 40	Steel
6	Plastic bag	PET 1	Plastics

3.4 Wheels

For ergonomic reasons the machine is equipped with wheels.
 The wheels make it easy to move the machine without lifting it.
 The wheels can only be used as long as the feet of the machine are not lowered.

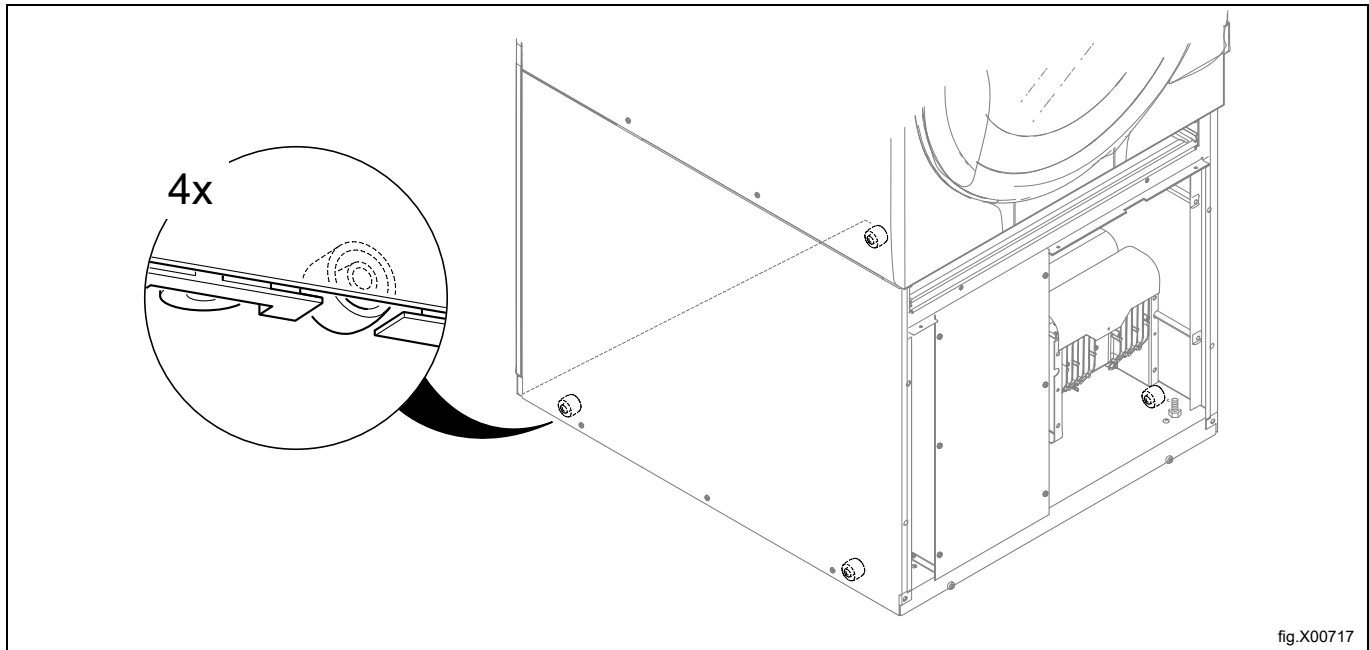


fig.X00717

3.5 Siting

The figure shows recommended distance to walls and/or other machines.

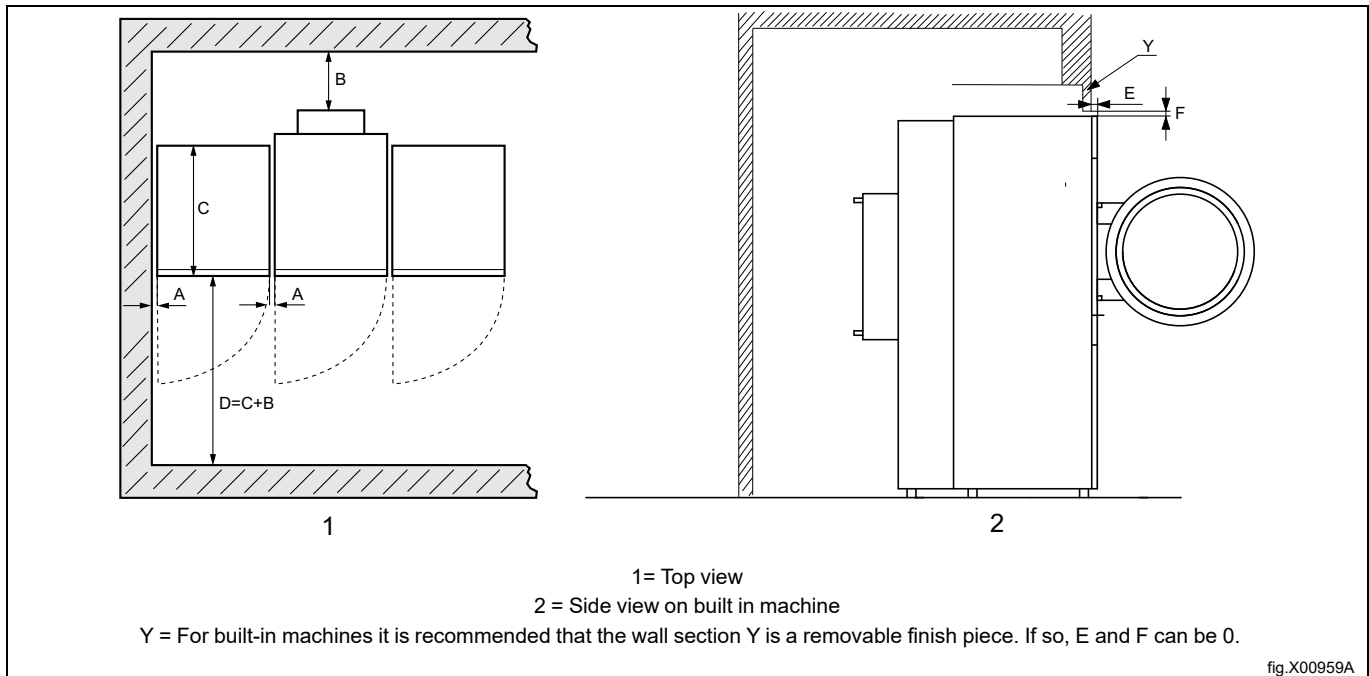


fig.X00959A

A	5–500 mm (Min. 5 mm)
B	500 mm (Min. 200 mm)
C	Depth of machine
D	$D = C + B$ (Min. 1220 mm to be able to use the machine)
E	Min. 40 mm
F	Min. 25.4 mm (The overhead soffit may be used to close the gap above the machine. Min. required clearance: 0 mm)

Note!

The machine should be positioned so that there will be enough space for working, both for the user and service personnel.

Respecting the given recommendations will provide easy access for maintenance and service operations.

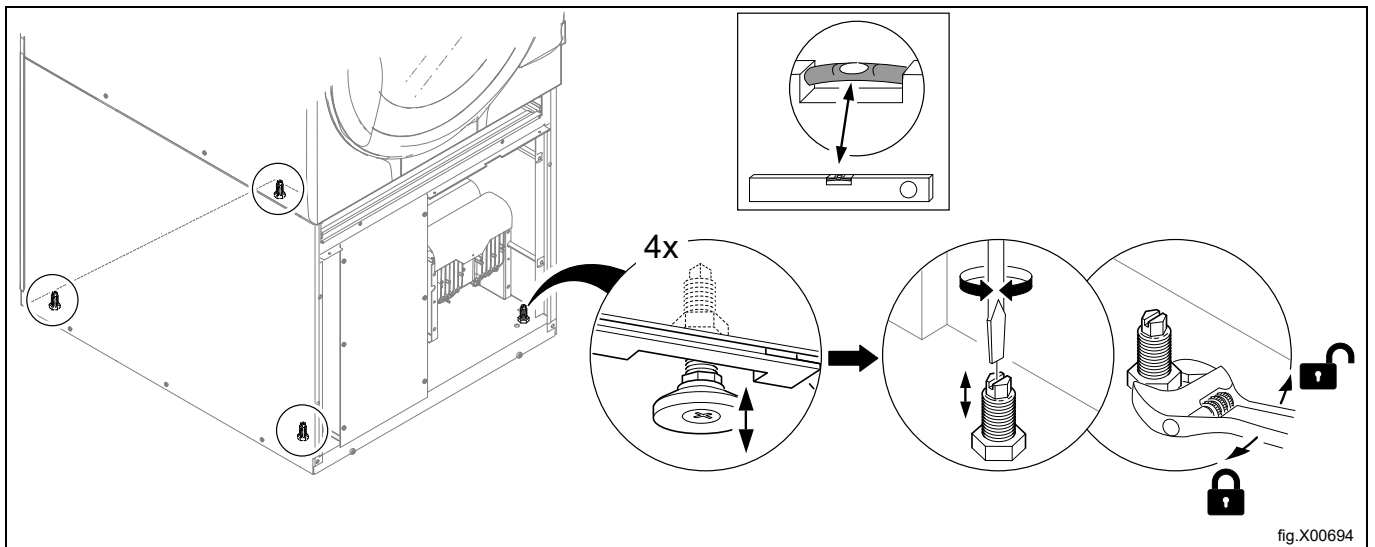
In case of space limitations, it is possible to install machines without respecting to the given recommendations. If so, keep in mind that it might be necessary to disconnect and move other machines to be able to reach and perform service on affected machine.

3.6 Mechanical installation

Level the machine with the feet of the machine. The maximum height adjustment of the feet is 15 mm.

Note!

It is important that the machine stand steady on all four feet and not directly on the wheels. The wheels must only be used when moving the machine.



Remount the panels.

4 Evacuation system

4.1 Air principle

Note!

It is very important that the machine gets enough fresh air in order to get the best drying result.

4.1.1 Electric-, Steam- and Gas heated machines

The fan creates low pressure in the machine, drawing air into the drum via the heating unit. The heated air passes through the garments and the drum holes and flows out through the filter positioned below the drum. The air is then evacuated through the fan and exhaust system.

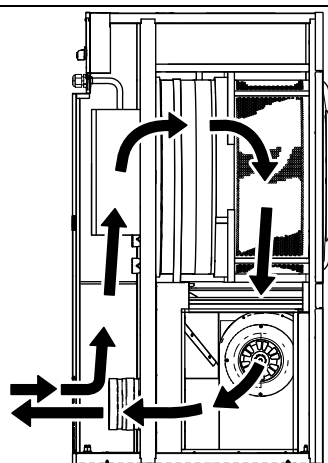


fig.X00730

4.1.2 Machines with heat pump

The fan creates air flow in the machine, drawing air into the drum via the heating unit. The heated air passes through the garments and the drum holes and flows out through the first filter drawer and continues through the second special filter just underneath. The special filter is necessary in machines with heat pump in order to protect the heat pump to get clogged by lint. When the air has passed the two filters it recirculates back into the drum.

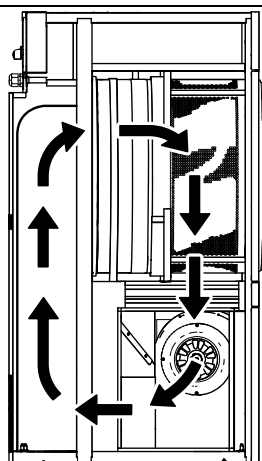


fig.X00729

Ventilating the room

When the machine is in operation, the room temperature increases. Due to this, the room must have sufficient ventilation.

All sources introducing heat into the same room requires to be considered when dimensioning the ventilation. Heat sources could for example be: more tumble dryers, drying cabinets, washers, ironers, radiators, etc. The combination of several sources for heat introduction leads to an increased need for ventilation flow. Other factors may also influence the needed ventilation flow, such as climate zone, building parameters, room size, etc. For assistance with dimensioning necessary ventilation needs, contact authorized ventilation technician.

4.2 Fresh air

For maximum efficiency and the shortest possible drying time, it is important to ensure that fresh air is able to enter the room from the outside in the same volume as that is blown out of the room.

To avoid draught in the room it is important to place the air inlet behind the machine.

Provisions for adequate air supply: The area of the air inlet opening should be five times the size of the exhaust pipe area. The area of the inlet opening is the area through which the air can flow without resistance from the grating/slatted cover.

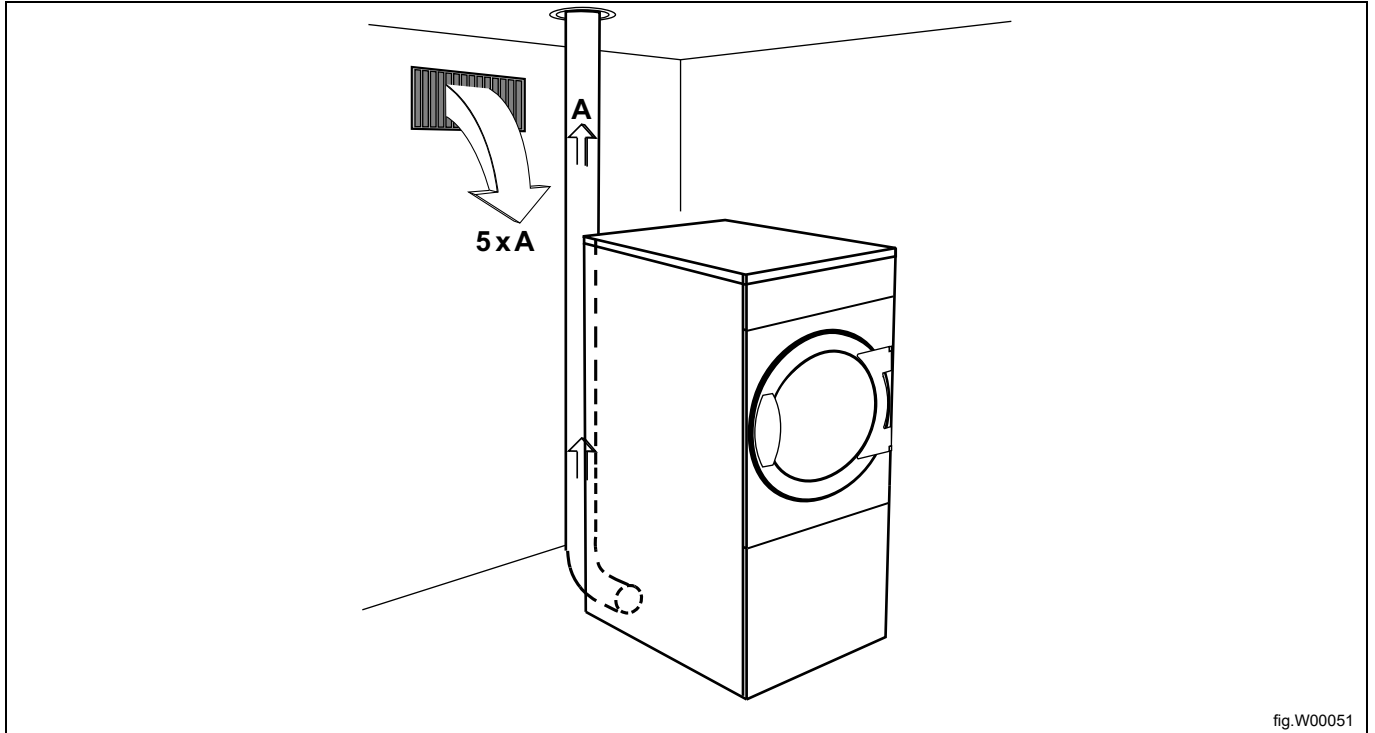


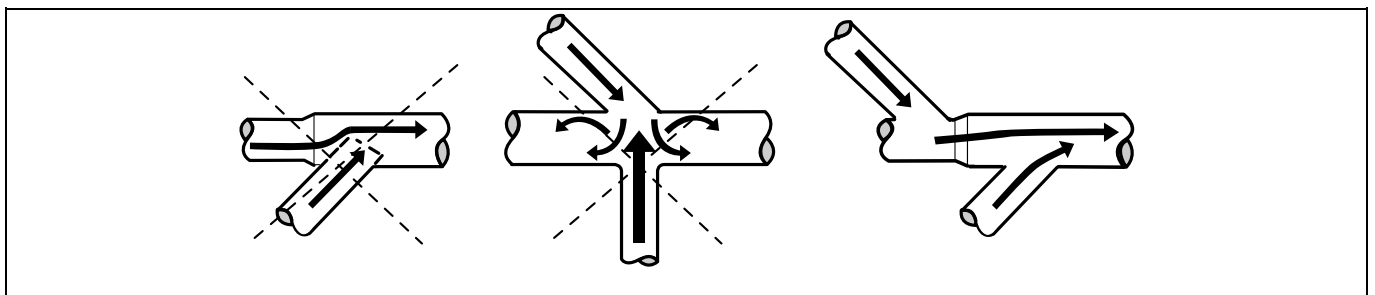
fig.W00051

Note!

Gratings/slatted covers often block half of the total fresh air vent area. Remember to take this into account.

4.3 Exhaust duct

- Only rigid or flexible metal duct should be used for exhausting.
- Plastic ducting is not to be used.
- Recommended material for exhaust is galvanized steel.
- The duct is not to be assembled with screws or other fastening means that extend into the duct and catch lint.
- The exhaust air should not be vented into a wall, a ceiling, or a concealed space of building.
- The exhaust duct must lead clear of the building as condensation may cause frost damage to the building.
- The exhaust duct must lead to the outdoors.
- The exhaust duct must be placed in such a way that it is protected on the outside.
- The exhaust duct must be smooth on the inside (low air resistance).
- The exhaust duct must have gentle bends.



4.4 Shared exhaust duct



It is recommended that each machine is connected to a separate exhaust duct.

When several machines shall use the same exhaust duct the exhaust duct must increase after each machine. The recommended diameter increase progression is the one in the table.

If several machines are installed on the same exhaust pipe, it is recommended to adjust the airflow on the machines when all machines are started and running a program with no heat. (Not valid for machines equipped with AFC (adaptive fan control)).

Please consider that unnecessarily large ducts create issues with the draught.

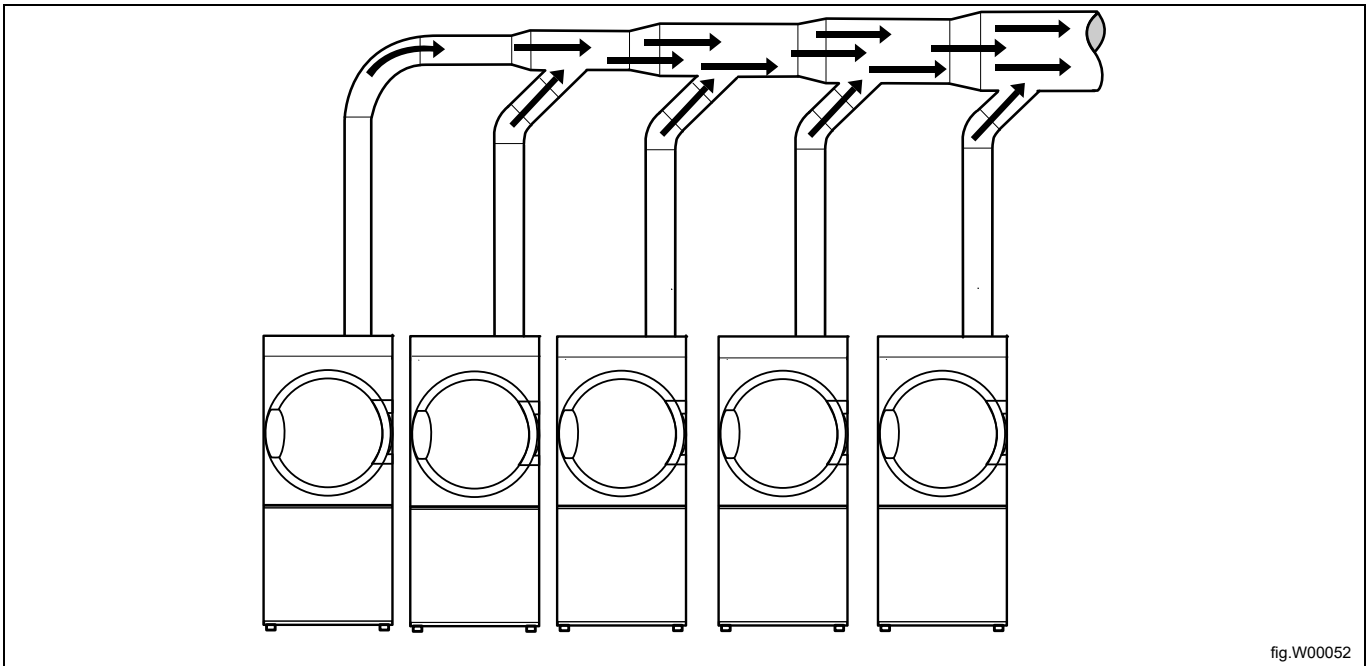


fig.W00052

Number of machines		1	2	3	4	5	6	7	8	9	10
Exhaust duct	ø mm	200	315	400	400	500	500	630	630	630	800
Recommended area of fresh air intake	m ²	0.16	0.39	0.63	0.63	0.98	0.98	1.56	1.56	1.56	2.51
Minimum area of fresh air intake	m ²	0.117	0.234	0.351	0.468	0.585	0.702	0.819	0.936	1.053	1.17



The exhaust duct diameter must not be reduced.

4.5 Exhaust dimensioning

It is important that the machine has correct air volume compared to each machines power.

If the air flow is smaller or larger this will result in a longer drying period or will lower the performance of the machine.

If the outlet pipe is long or the ventilation is not properly designed it is recommended to clean the outlet pipes periodically. Usually, longer ducts need more frequent cleaning. If the outlet pipe has too high back pressure it is recommended to install an exhaust fan.

The exhaust pipes shall be short in order for the machine to work in the best way.

All cover panels must be mounted in order for the machine to work in the best way.

The exhaust duct must be designed so the static back pressure measured in the hole for the NTC-sensor does not exceed the maximum allowable back pressure specified in "Technical data".

4.6 Adjusting the air flow (not valid for tumble dryers with heat pump)



Adjusting the air flow may only be carried out by authorized personnel.

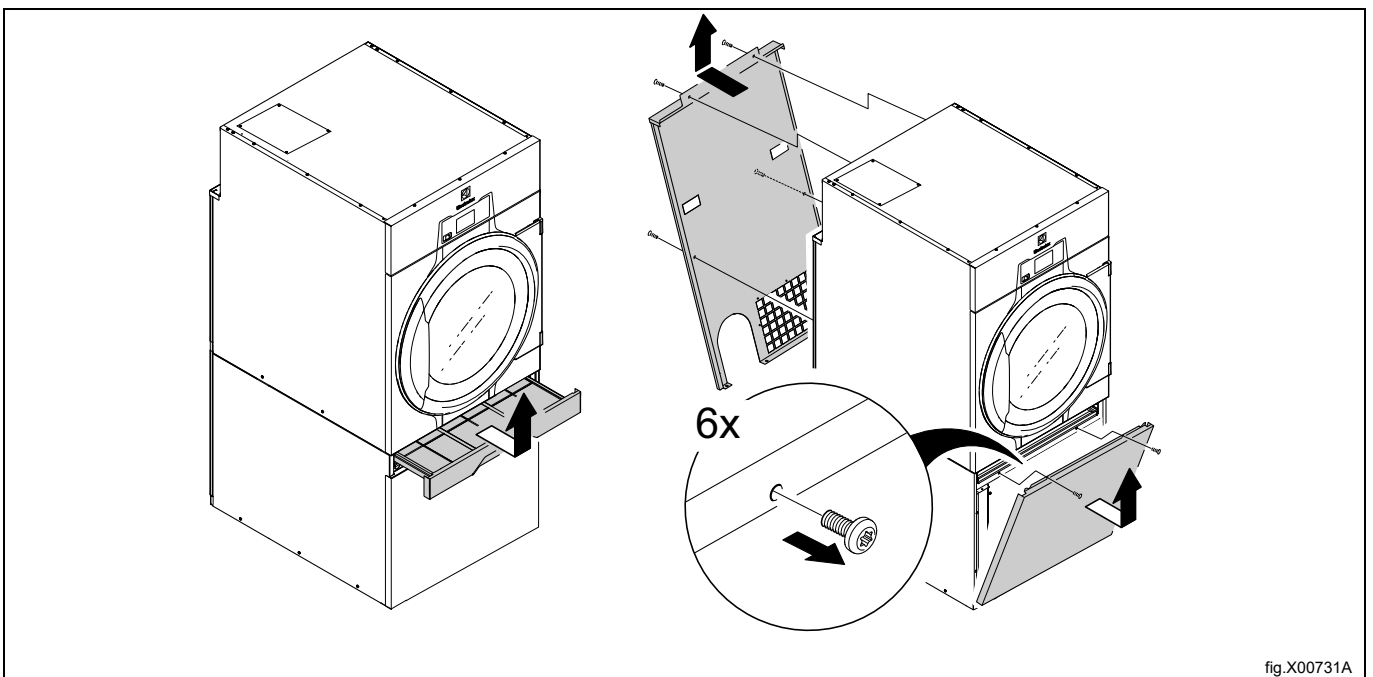


It is important that the machine has the correct air flow compared to each machine's heat input. If the air flow is below the minimum, the machine will be forced to switch the heating off which will result in longer drying time.

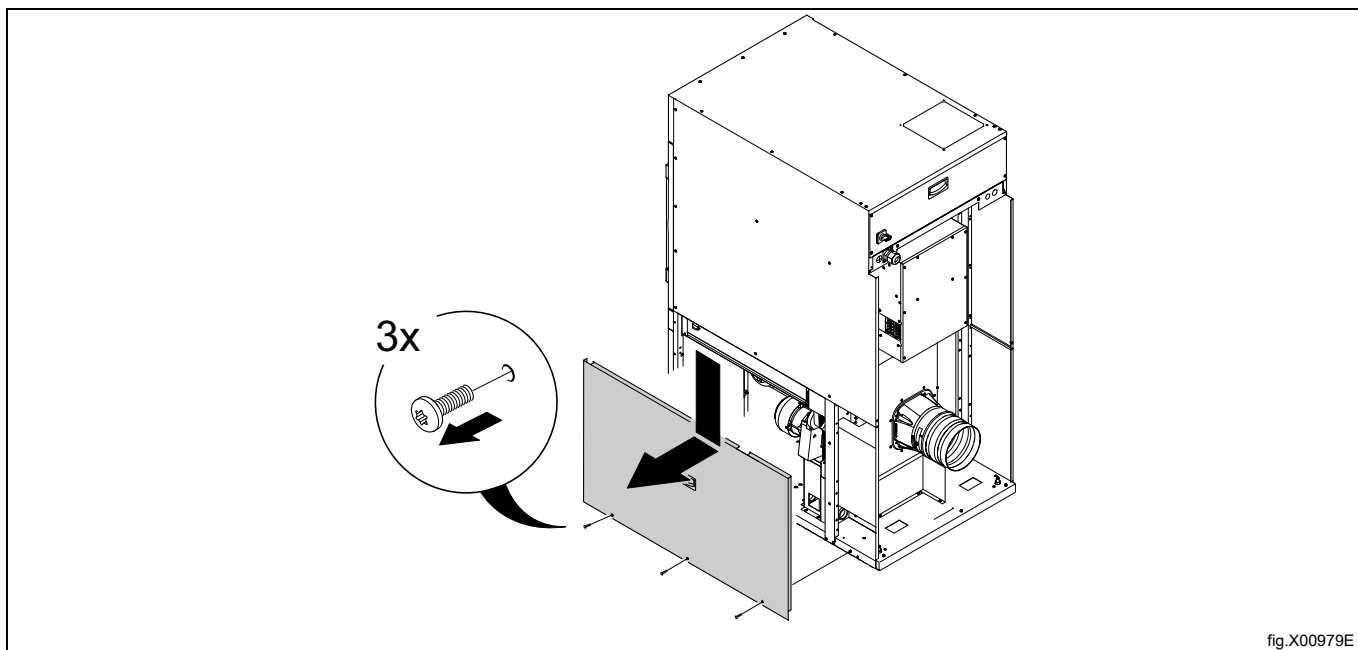
An air flow above needed is unnecessary and can result in a cold laundry room and noise from the piping and outlet. In extreme cases this can result in longer drying time.

The machine is pre-set for an optimal air flow with up to 15 m equivalent pipe length. (For default settings from factory, check the label attached on the damper.) For piping systems which deviate from pre-set pipe length it is necessary to adjust the machine according to the following instructions.

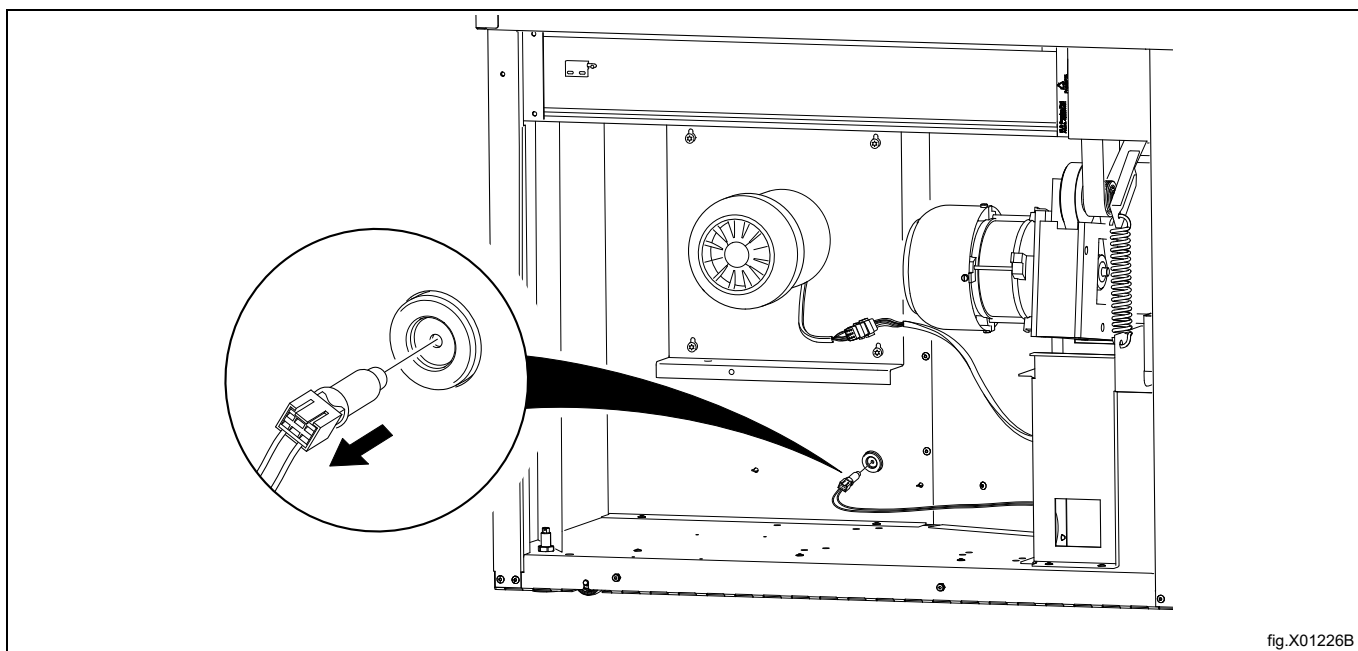
- Remove the filter drawer and demount the front panel.
- Demount the rear panel.



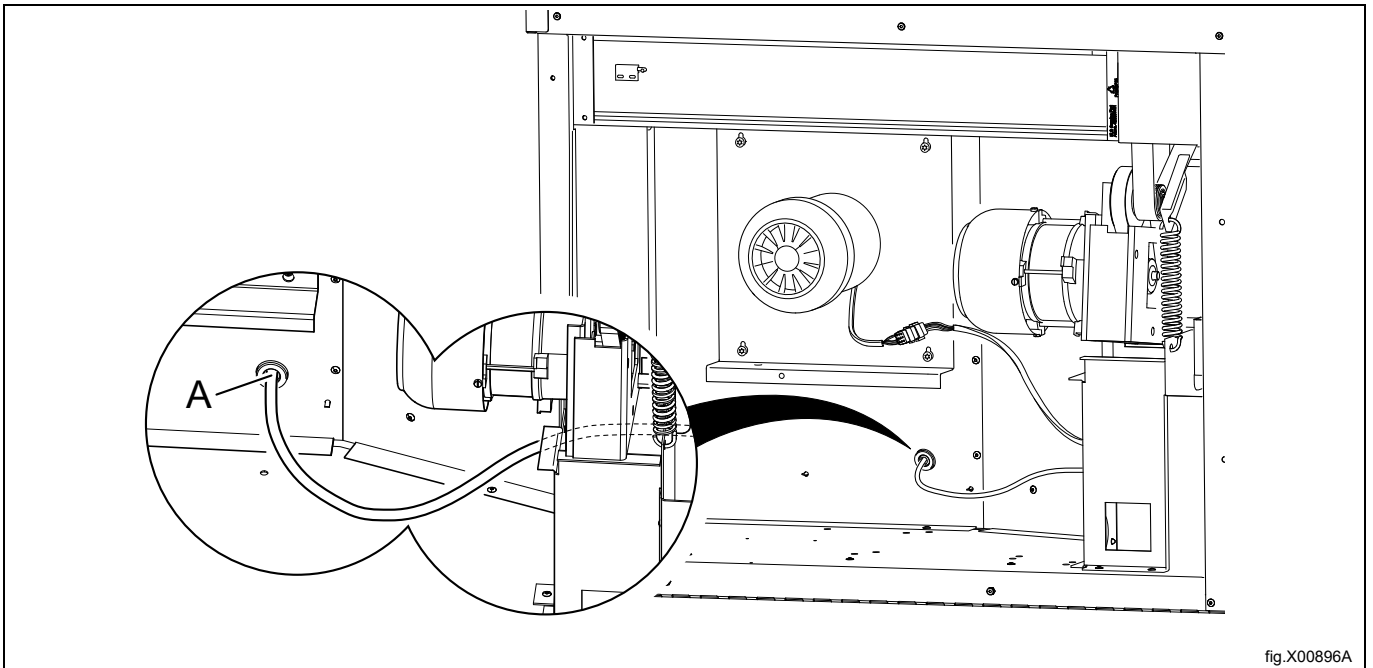
- Demount the lower side panel.



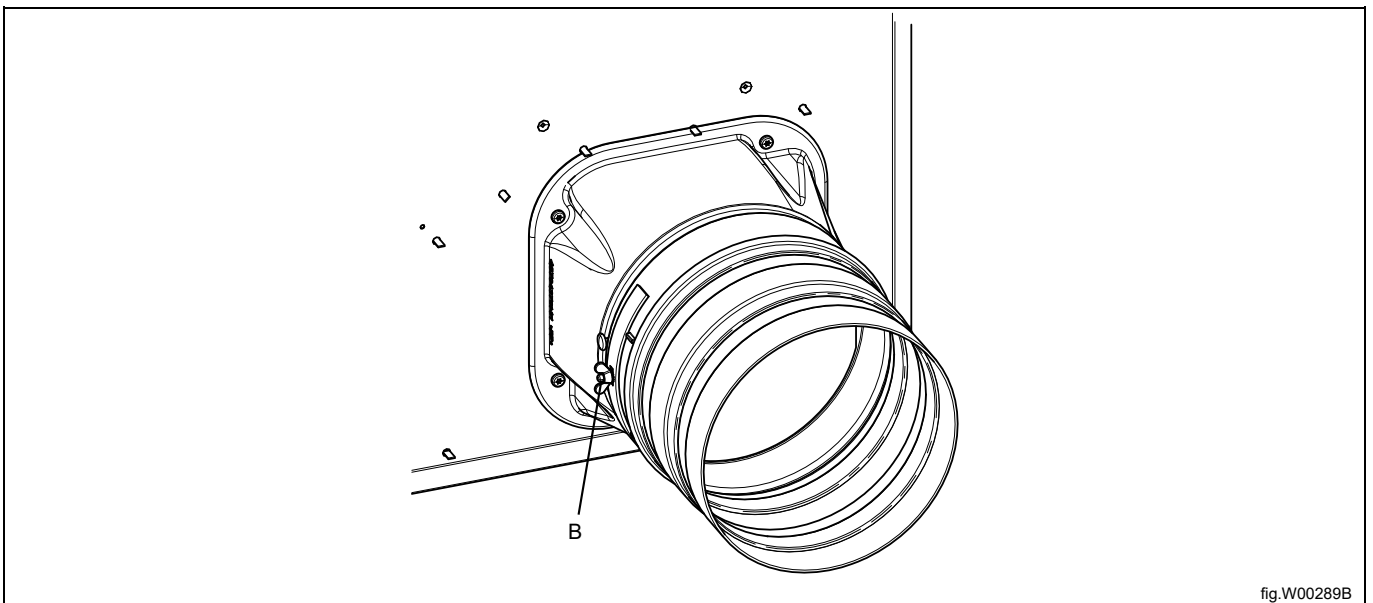
- Disconnect the NTC-sensor.



Insert the measuring instrument (manometer) in the hole (A). Make sure the connection is tight to prevent air leakage. Run the tube out on the back of the machine through the gap to the right of the drum motor.



- Loosen the wing nut on the damper (B).
- Measure when the machine is running with a program without heat and with an empty drum.
- By opening and closing the damper (B) the pressure in the hole (A) is either lowered or raised, thus the flow is raised or lowered.



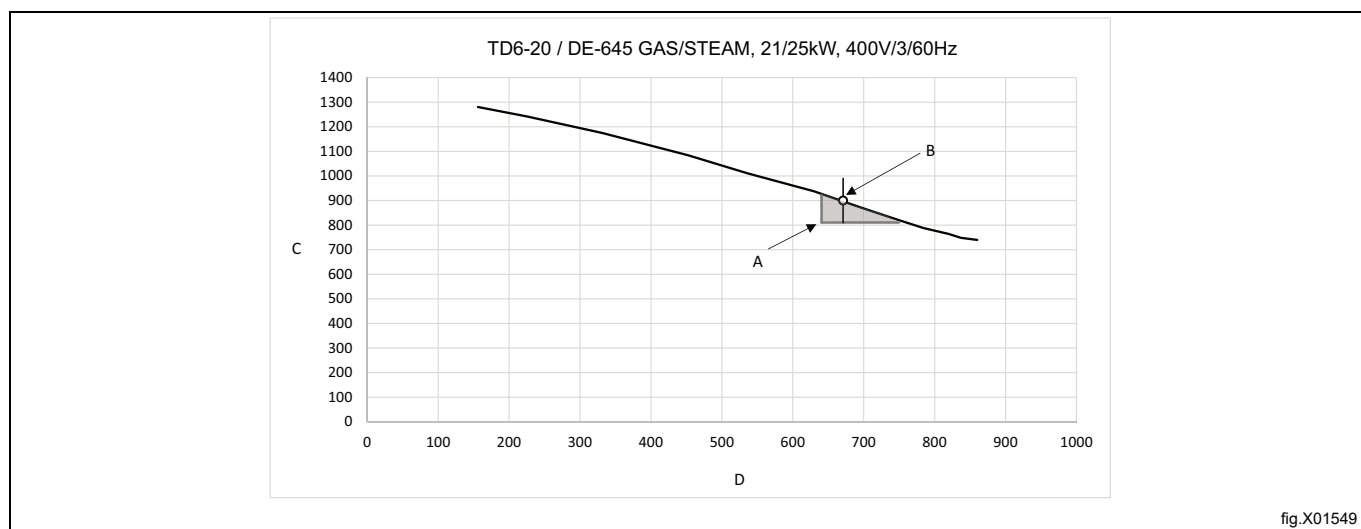
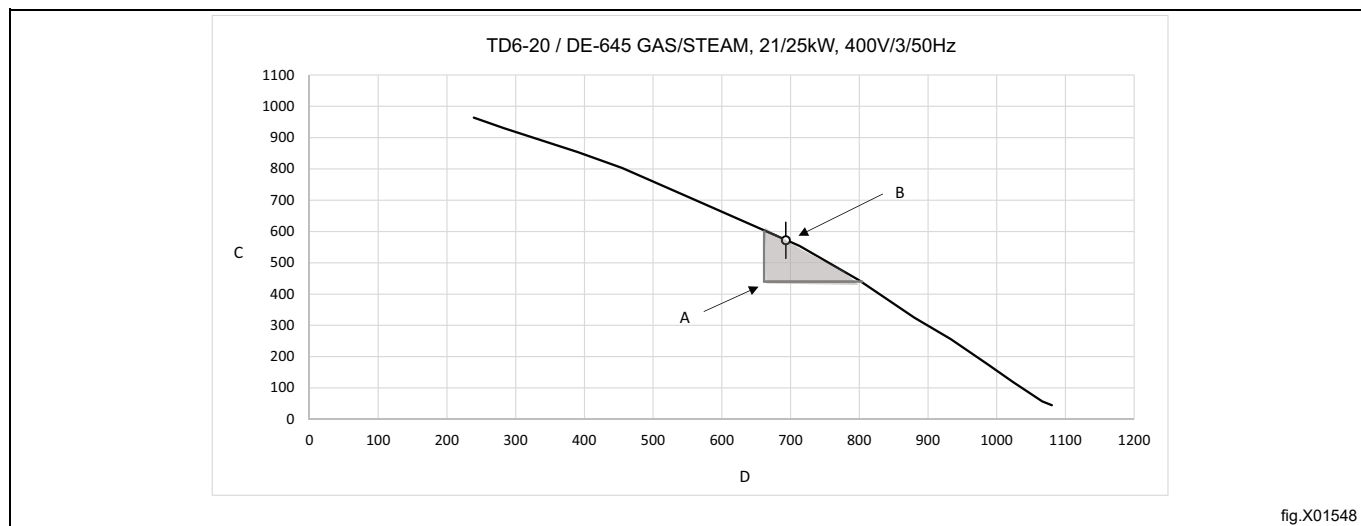
The optimum drying performances are achieved when the measured static back pressure correspond to the value listed in the following table.

Heating	Effect	Hz	Optimum static back pressure — measured at position A (Pa) in a cold empty machine	Resulting: Nominal air flow in a cold empty machine (m ³ /h)
Electric	18.0 kW	50	580	580
Electric	18.0 kW	60	885	580
Gas	21.0 kW	50	570	690
Gas	21.0 kW	60	900	670
Steam	25.0 kW	50	570	690
Steam	25.0 kW	60	900	670

Diagram with pressure drop curve

The grey area (A) illustrates the optimal working area.

A	Working area
B	Optimum airflow cold empty machine
C	Static back pressure, Pa
D	Air flow m ³ /h



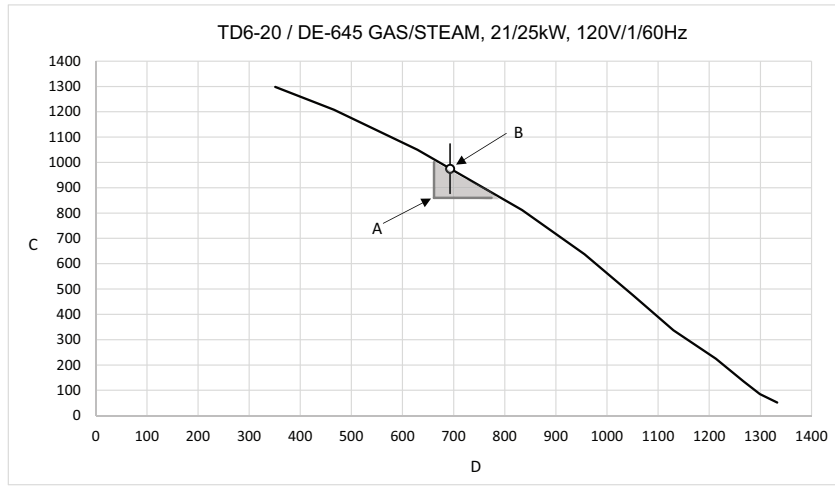


fig.X01550

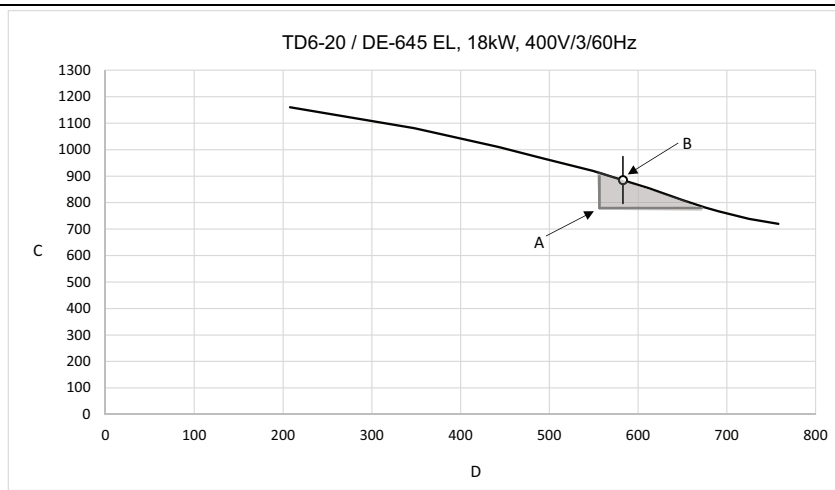


fig.X01551

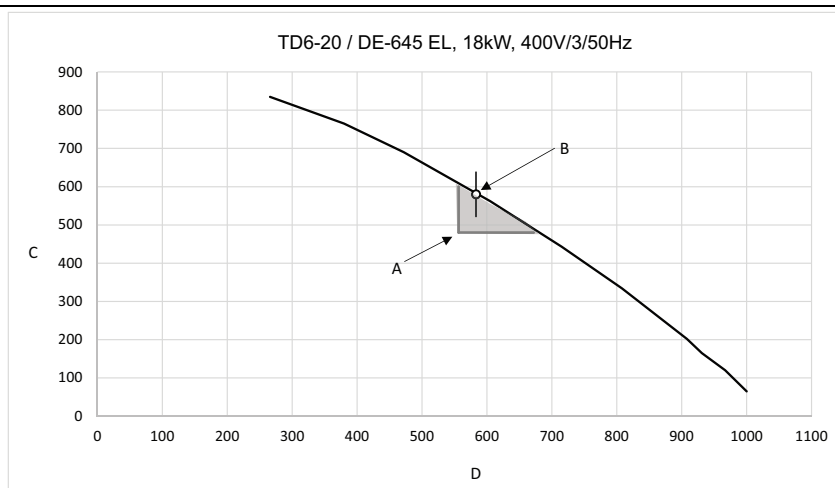


fig.X01552

Alternative measuring method

Adjusting the air flow may only be carried out by authorized personnel.

Use a home made U tube manometer, a hose (max. outer \varnothing 10 mm and min. outer \varnothing 5 mm), with water. Insert one end of the hose in the hole (A) (after the NTC-sensor has been removed), hold the hose according to the picture so that the water is in level.

Start the machine and measure the difference between the water in one of the hose ends with the other.

1 mm = 10 Pa.

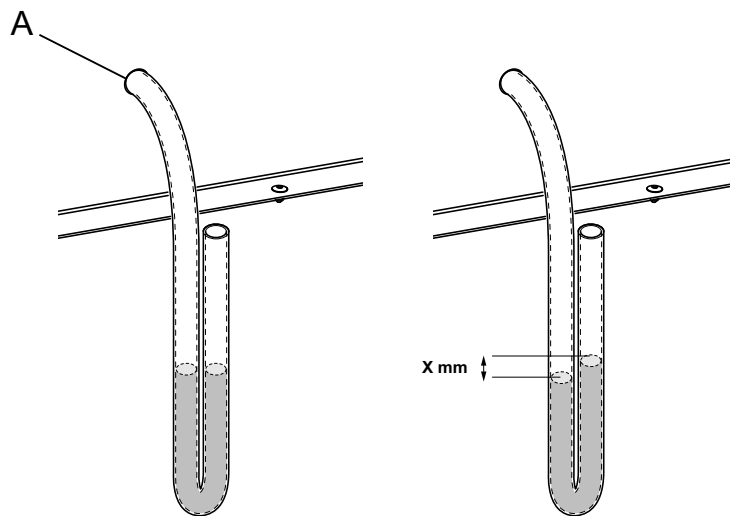


fig.7528B

Note!

When the air flow is adjusted remount the NTC-sensor in the hole (A) and lock the damper (B) in the new position with the wing nut.

Remount the front panel and insert the filter drawer.

5 Electrical connection

5.1 Electrical installation



The electrical installation may only be carried out by qualified personnel.



Machines with frequency-controlled motors can be incompatible with certain types of earth leakage circuit breaker. It is important to know that the machines are designed to provide a high level of personal safety, which is why items of external equipment such as earth leakage circuit breakers are not necessary but is recommended. If you still want to connect your machine across an earth leakage circuit breaker, please remember the following:

- contact a skilled, authorised installation company to ensure that the appropriate type of breaker is chosen and that the dimensioning is correct
- for maximum reliability, connect only one machine per earth leakage circuit breaker
- it is important that the earth wire is properly connected.



In instances where the machine is not equipped with an omni-polar switch, one must be installed beforehand.

In accordance with the wiring rules: mount a multi-pole switch prior to the machine to facilitate installation and service operations.

The connecting cable shall hang in a gentle curve.

For AU/NZ: Fixed wiring is in accordance with AS/NZS 3000.

5.2 Machine connection with ferrite

5.2.1 Machines with AFC or DSC

To obtain approved level of EMC, it is mandatory to use the ferrite which is enclosed with machines equipped with AFC (adaptive fan control) or DSC (drum speed control). (Note that this is only valid for those machines).

Before connecting to the machine, the protective earth (PE) wire shall be wrapped around the ferrite.

Prepare the power cord by making sure the protective earth (PE) wire is longer than the other wires according to the table.

Wire size	L	x times through
AWG14 or 2,5 mm ²	280 mm	x 5
AWG12 or 4 mm ²	280 mm	x 5
AWG10 or 6 mm ²	300 mm	x 5
AWG8 or 10 mm ²	330 mm	x 5
AWG6 or 16 mm ²	400 mm	x 5
AWG4 or 25 mm ²	490 mm	x 5

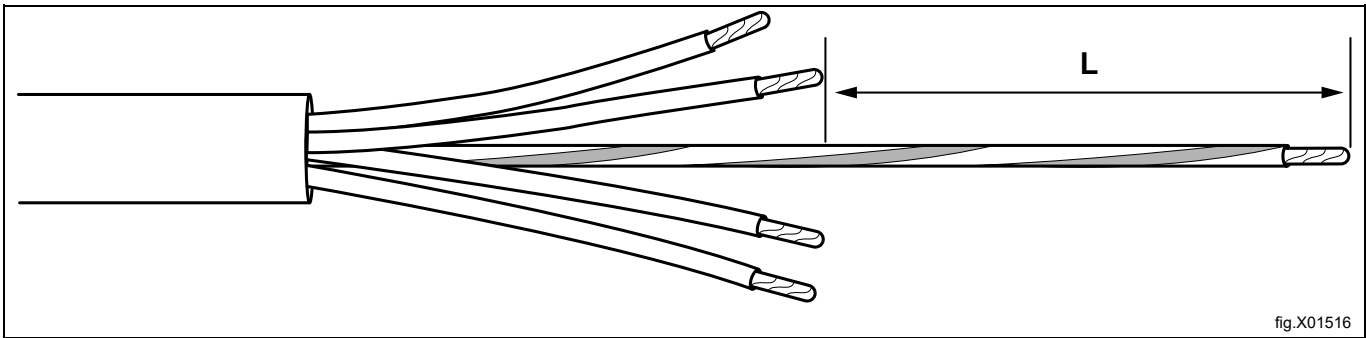


fig.X01516

When the power cord has been prepared according to the table, wrap the protective earth (PE) wire through the ferrite and then connect all wires according to the following connection options.

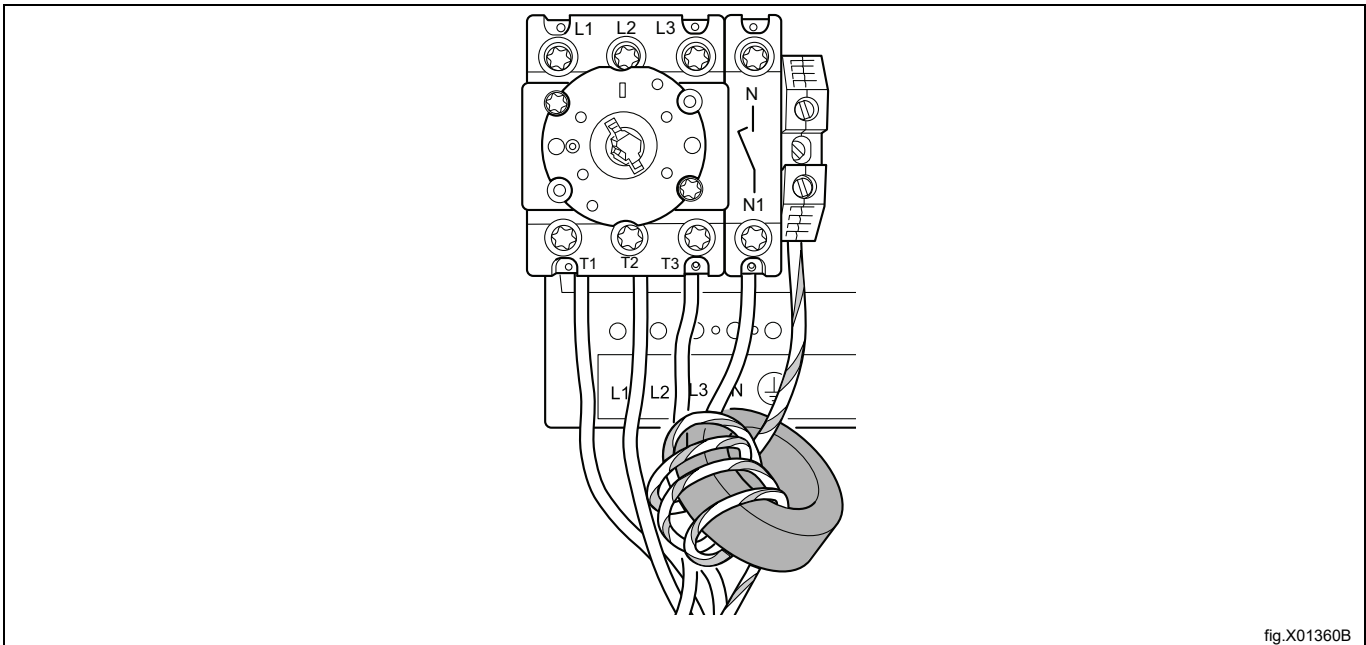
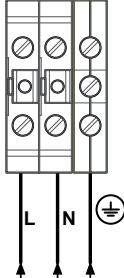
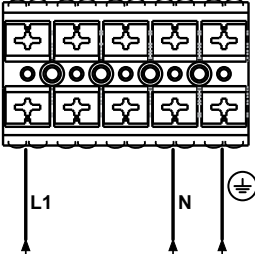
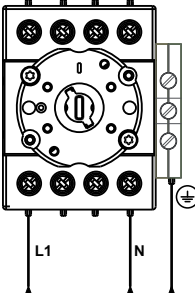


fig.X01360B

5.3 Single-phase connection

Demount the cover panel from the supply unit. Connect the earth and other wires as shown.

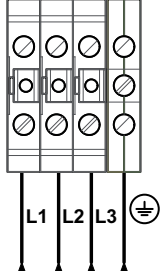
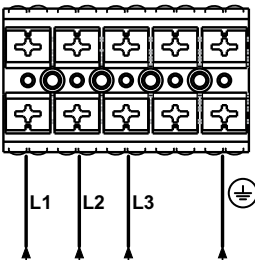
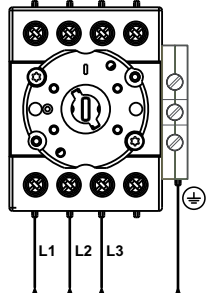
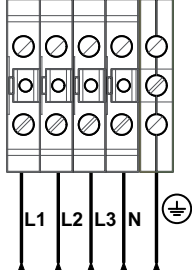
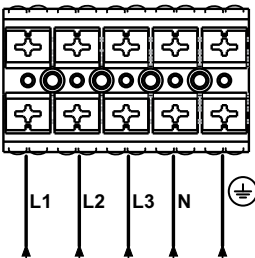
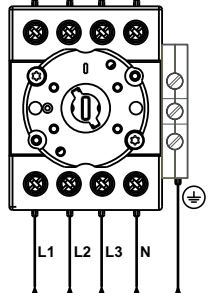
1NAC	 <p>A terminal block with three columns of terminals. The left column has two terminals, the middle has two, and the right has two. Below the terminals, three wires are shown: 'L' (left), 'N' (middle), and a ground symbol (right).</p>
1NAC	 <p>A terminal strip with two rows of terminals. The top row has five terminals, and the bottom row has five. Below the strip, three wires are shown: 'L1' (left), 'N' (middle), and a ground symbol (right).</p>
1NAC	 <p>A terminal panel with a central circular area and several screw terminals. Below the panel, three wires are shown: 'L1' (left), 'N' (middle), and a ground symbol (right).</p>

When the installation is completed remount the cover panel and check:

- That the drum is empty.
- That the machine operates by connecting the power to the machine and start a program with heat.

5.4 Three-phase connection

Demount the cover panel from the supply unit. Connect the earth and other wires as shown.

3AC	
3AC	
3AC	
3NAC	
3NAC	
3NAC	

When the installation is completed remount the cover panel and check:

- That the drum is empty.
- That the machine operates by connecting the power to the machine and start a program with heat.

5.5 Electrical connections

Heating alternative	Main voltage	Hz	Heating power kW	Total power kW	Recommended fuse A
Electric heated machines	220–230V 3~	50/60	18.0	19.0	50
	240V 3~	50/60	18.0	19.0	50
	380–415V 3N~	50/60	18.0	19.0	32
	440V 3~	50/60	18.0	19.0	32
	480V 3~	60	18.0	19.0	25
Gas- and Steam heated machines	220–240V 3~	50/60	*	1.0	10
	380–415V 3N~	50/60	*	1.0	10
	440V 3~	50/60	*	1.0	10
	480V 3~	60	*	1.0	10
Machines with heat pump	220–240V 1 ~ / 1N~	50/60	*	5.5	25
	380–480V 3 ~ / 3N~	50/60	*	6.5	10

* Total power and recommended fuse does not depend on the heating power in those cases.

6 Steam connection

6.1 Connecting the steam



The steam supply must be cut off and must not be under pressure.



Steam inlet

- The branch pipes must be located at the top of the main steam pipe to prevent condensation in the steam.
- The branch pipe must have a descending gradient and must end at a height above the inlet connecting branch (5).
- Mount a plug valve (A) and a strainer (B) in the branch pipe.
- If the branch pipes are too far away from the main pipe, to maintain quality of the steam, it is recommended to install a steam trap (F).

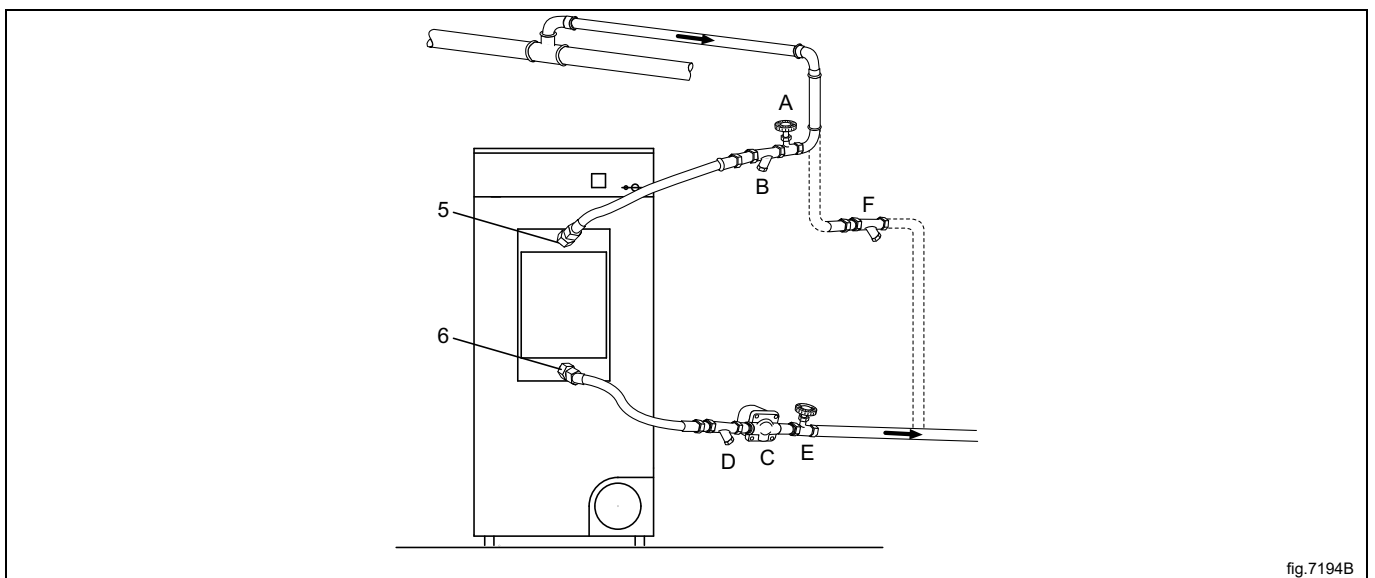


fig.7194B

Attach the pressure hoses to the machines inlet and outlet connecting branches. It is important to support the inlet and the outlet connecting branches in order to prevent deformation.

The pressure hoses must not hang down.

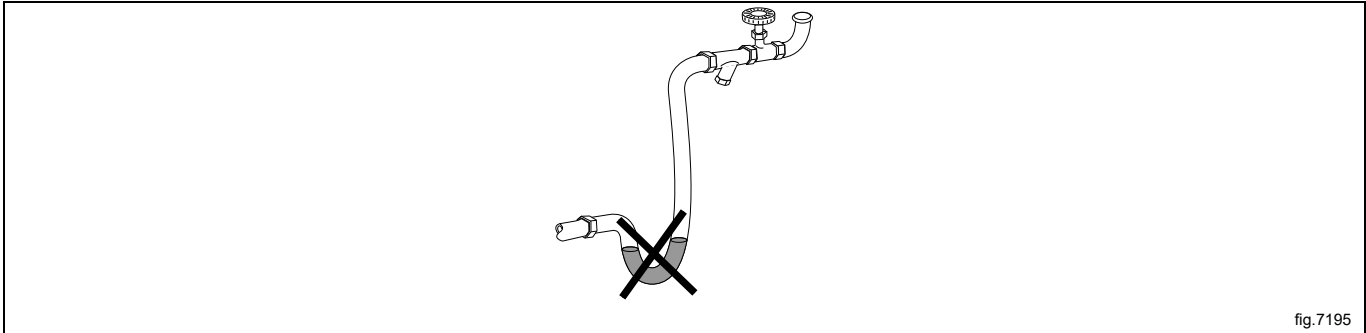


fig.7195

Condensate return

It is important that the branch pipe for condensed water on return to the main condensate pipe has a descending gradient and is lower than the outlet connecting branch (6).

- Mount a strainer (D) in the return pipe.
- Mount a mechanical water discharger (C) after the dirt collector (D).
- Mount a plug valve (E).
- Mount pressure hoses between the branch pipes and the machine. Note that hoses are not supplied.

Pipe insulation

All pipes must be insulated in order to reduce risk of scalding. Insulation also reduces loss of heat to the surroundings.

When ready

- Leak test the system.
- Clean the dirt collectors.

7 Gas connection

7.1 Fasten the label

Before installing the machine fasten the label "Read the user instructions" on the inside of the door in a suitable place and at the front panel.

The label must have the correct country code, choose the correct label from the gas kit.

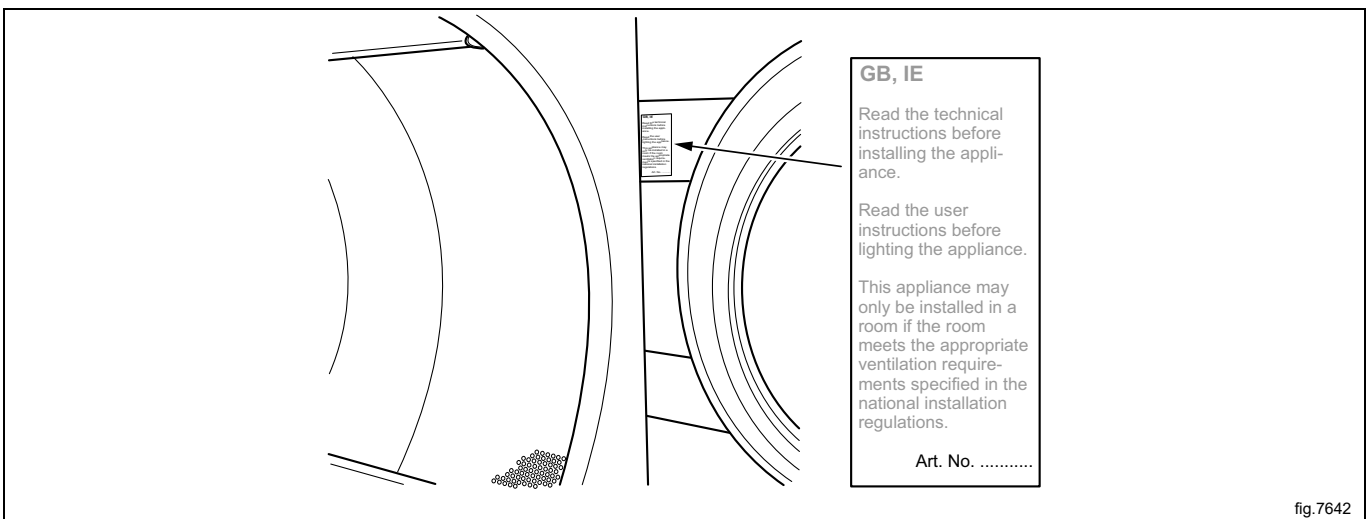


fig.7642

7.2 General



May only be carried out by qualified personnel.



Mount a shut-off valve upstream from the machine.

The factory nozzle pressure setting corresponds to the fuel value given on the data label.

Check that the nozzle pressure and fuel value correspond with the values in the gas tables on the following pages. If not, contact the supplier.

Bleed the pipe system before connecting the machine.

Note!

After connection all joints must be checked. There must not be any leaks.

7.3 Gas installation

This gas appliance is built to run on natural gas (group I2H and I2E), commonly identified by GNH.

This default gas appliance is built to be installed at not over than 610 m (2001 ft) high altitude otherwise a kit for high altitude must be installed to the machine. For the kit No. please refer to the spare parts list.

The data label shows the injector size and the injector pressure and the countries that use this gas quality:

AL	Albania	IE	Ireland
AT	Austria	IS	Iceland
BE	Belgium	IT	Italy
BG	Bulgaria	LT	Lithuania
CH	Switzerland	LU	Luxembourg
CY	Cyprus	LV	Latvia
CZ	Czech Republic	MK	Republic of Macedonia
DE	Germany	MT	Malta
DK	Denmark	NL	Netherlands
EE	Estonia	NO	Norway
ES	Spain	PL	Poland
FI	Finland	PT	Portugal
FR	France	RO	Romania
GB	United Kingdom	SE	Sweden
GR	Greece	SI	Slovenia
HR	Croatia	SK	Slovakia
HU	Hungary	TR	Turkey

You should check the kind of energy gas that is available in your place and check high altitude of the machine located place.

There are many gas types of the same kind but the machine should be equipped with different kinds of nozzles depending on the gas type.

7.4 Table of pressure and adjustment

Liquid petroleum gas (LPG)	Gas category	Inlet pressure (mbar)	Nozzle pressure (mbar)	Nozzle size (ø mm)	Air reducing/restriction plate (mm)	Label number	May be available in following countries
Butane mixture / Propane mixture	3+	28-30 / 37	No regulation	2.30	Default 487230035	490375643	BE, CH, CY, CZ, ES, FR, GB, GR, IE, IT, LT, LU, LV, PT, SK, SI
Butane	3B/P	30, 37, 50	28	2.30	Default 487230035	490375644	BE, CY, DK, EE, FI, FR, GB, HU, IT, LT, NL, NO, SE, SI, SK, RO, HR, TR, BG, IS, LU, MT, PL, AT, CH, DE, SK
Propane	3P	30, 37, 50	28	2.40	Default 487230035	490375645	FI, NL, RO, BE, CH, CZ, IE, IT, ES, FR, GR, GB, HR, LT, NL, PL, PT, SI, SK, AT, CH, DE, NL, LU, SK

Natural gas	Gas category	Inlet pressure (mbar)	Nozzle pressure (mbar)	Nozzle size (ø mm)	Air reducing/restriction plate (mm)	Label number	May be available in following countries
	2H, 2E	20	8	4.00	Default 487230035	Default	AT, BG, CZ, DK, EE, FI, GR, HR, HU, IS, IE, IT, LV, LT, NO, PT, RO, SK, SI, ES, SE, CH, TR, GB, DE, PL, LU
	2E+	20 / 25	No regulation	3.30	Default 487230035	490375641	BE, FR
	2E (G20)	20	8	4.00	Default 487230035	490375642	NL
	2L (G25)	25	12				
	2(43.46-45.3 MJ/m ³ (0 °C)) (G25.3)	25	12				
2LL (G25)	20	12	4.00	Default 487230035	490375642	DE	

When a machine shall be installed or used on high altitude (2001 feet and higher) a kit for high altitude must be installed.

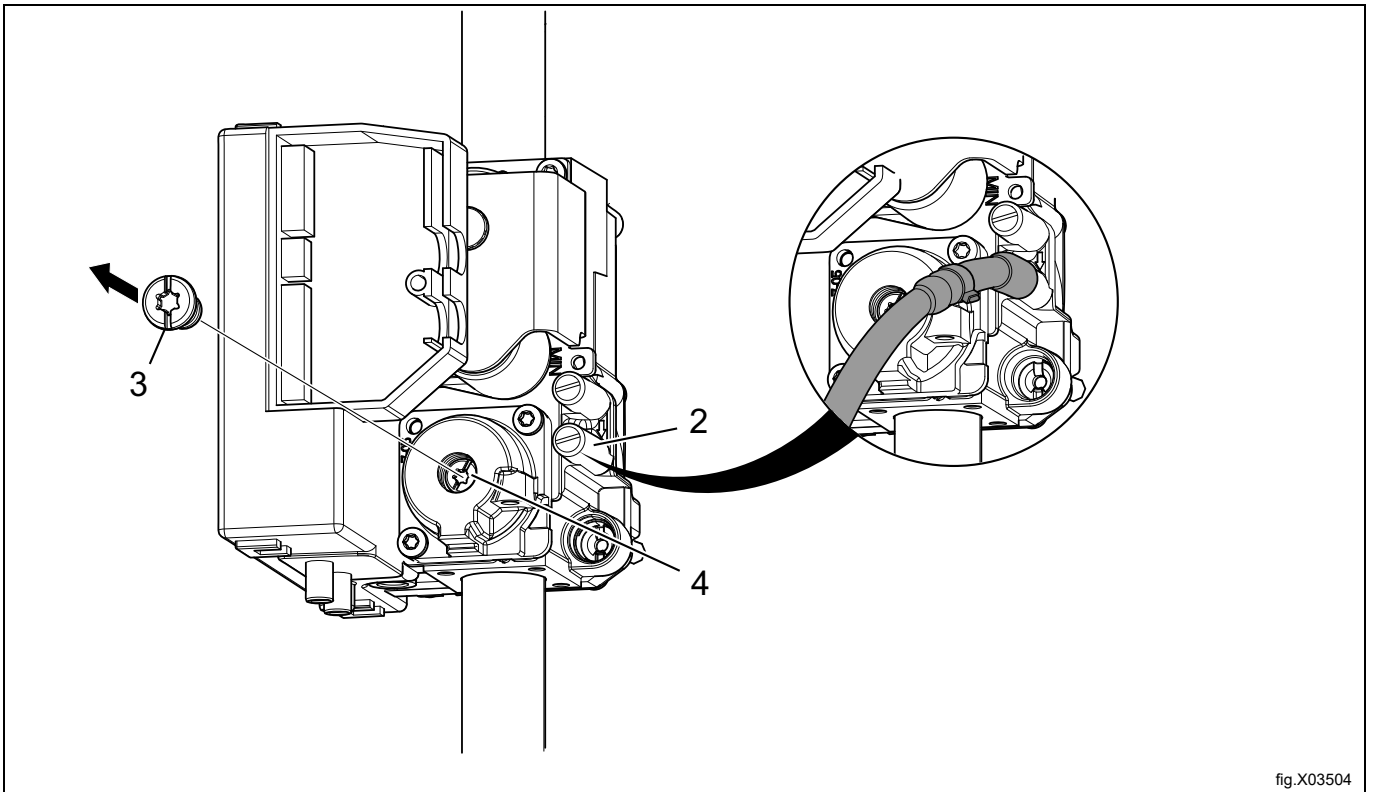
For kit No. please refer to the spare parts list.

7.5 Test run

Note!

Before test run the machine, ensure that the air flow/static back pressure has been adjusted accorded to the "Evacuation system" section. Adjust the air flow if necessary.

- Loosen the measuring branch screw (2) 1/4 turn; connect a manometer to the measuring branch and make sure the connection is tight to prevent air leakage.
- Connect the power to the machine and select a program with heat.
- Start the machine.
- Check that the nozzle pressure is correct according to the gas type, see "Table of pressure and adjustment".
- If the nozzle pressure should be adjusted:
 - Demount the cover screw (3).
 - Turn the screw (4). Clockwise: increasing nozzle pressure.
 - Turn the screw (4). Counter Clockwise: decreasing nozzle pressure.
- Check that the gas is burning evenly. The blue flame on the burner is preferred.



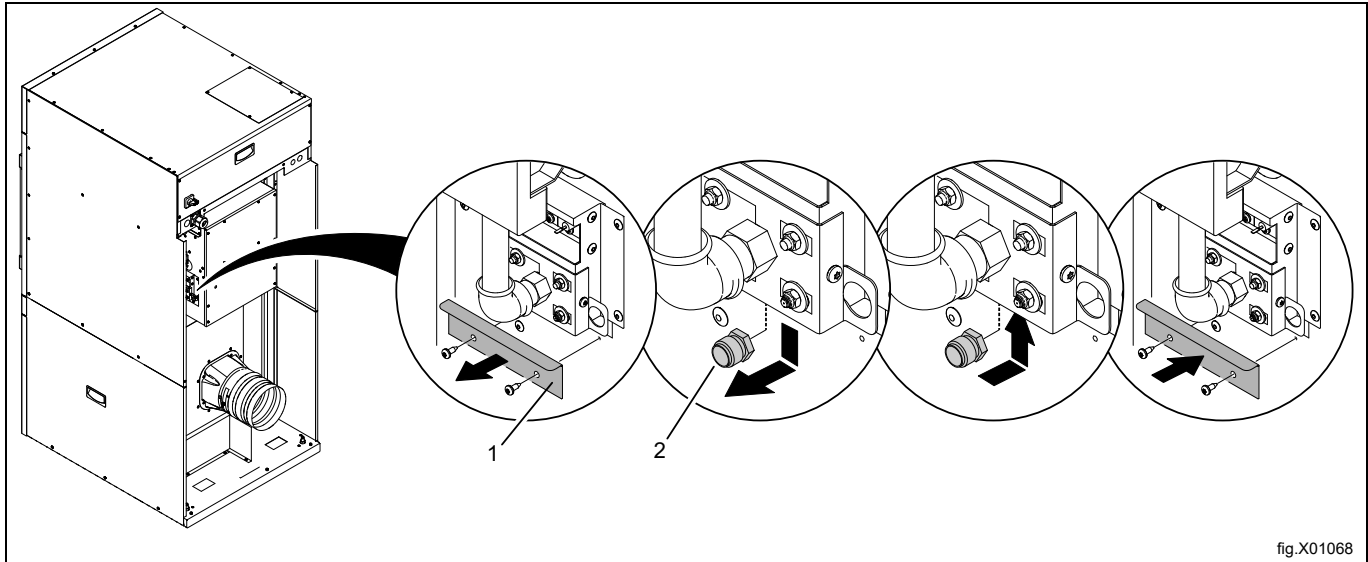
- Remount the cover screw (3).
- Remove the manometer and tighten the screw (2) when the adjustments are done.

Note!

After connection all joints must be checked. There must not be any leaks.

7.6 Converting instructions

- Disconnect the power to the machine.
- Demount the back panel.
- Demount the air restriction plate (1).
- Demount the nozzle (2) and mount the new supplied nozzle.
- Re-mount the air restriction plate.



- Loosen the measuring branch screw (2) 1/4 turn; connect a manometer to the measuring branch and make sure the connection is tight to prevent air leakage.
- Ensure that the air flow/static back pressure has been adjusted according to the "Evacuation system" section. Adjust the air flow if necessary.
- Connect the power to the machine and select a program with heat.
- Start the machine.
- Check that the nozzle pressure is correct according to the gas type, see "Table of pressure and adjustment".
- If the nozzle pressure should be adjusted:
 - Demount the cover screw (3).
 - Turn the screw (4). Clockwise: increasing nozzle pressure.
 - Turn the screw (4). Counter Clockwise: decreasing nozzle pressure.

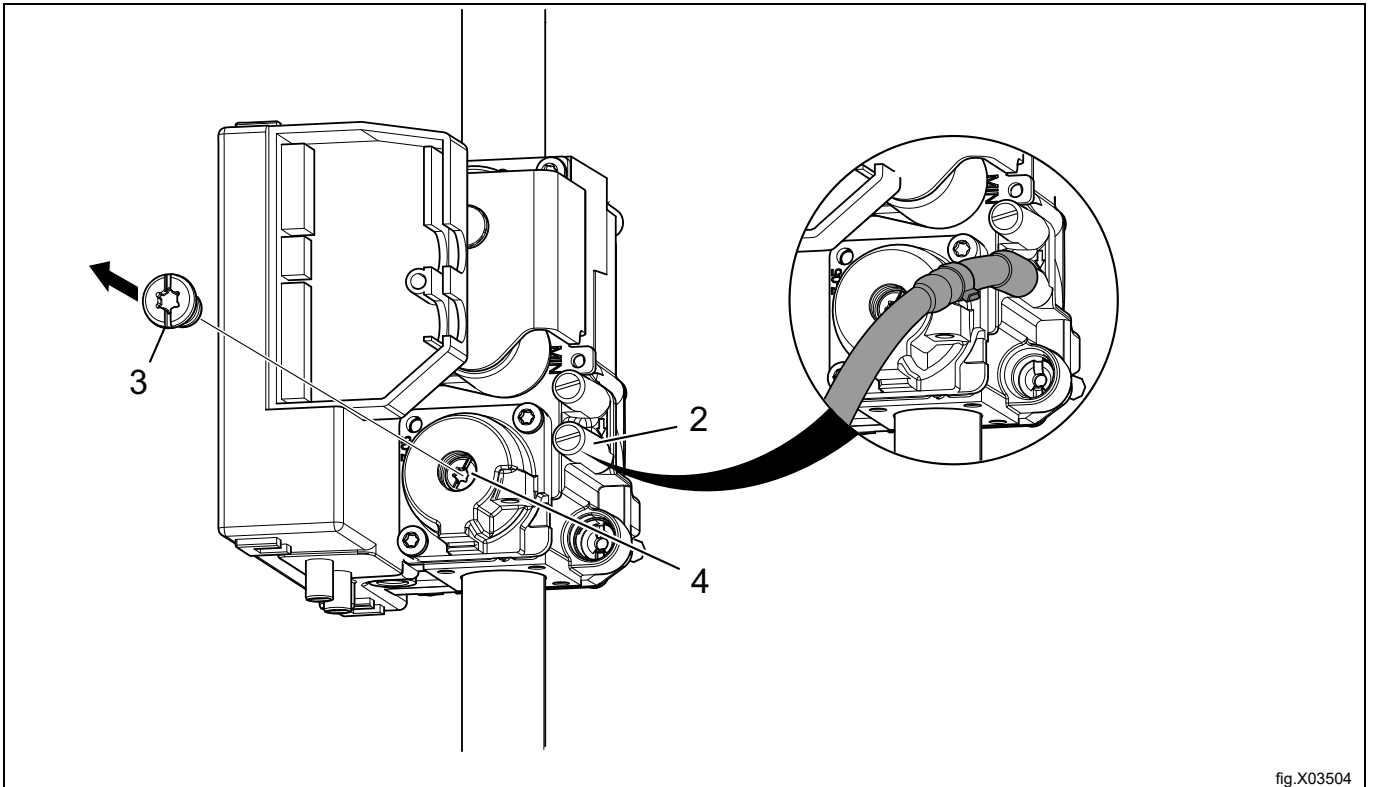


fig.X03504

- Check that the gas flame burns evenly.
- Mount the cover screw (3).
- Remove the manometer and tighten the screw (2) when the adjustments are done.
- Remount the rear panel.
- Put the correct gas label on the data plate, see "Data label" section.

Note!

After connection all joints must be checked. There must not be any leaks.

7.7 Data label

When the machine is to be converted to another gas type, the data label at the rear of the machine must be updated in order for the data to be correct.

Place the data label enclosed in the conversion kit on top of the data label as shown below. If there are more than one data label, select the label with the correct country code and gas type.

The diagram illustrates the correct placement of a conversion kit data label on top of the machine's original data label. The original label contains the following information:

Product no.: WXXXXX
 Serial no.: 9868XXXXXX
 OC: 09XXXXX Date: 10XX
 Program: 432XXXXXX, 5XXX
 Type: WN3...WN3XXXX

The conversion kit label (shown in a separate box) contains the following information:

ΣQn(Hs) 21 KW PIN NO. 2575DM30487
 BE, CH, CY, CZ, ES, FR, GR, IE, IT,
 LT, LU, LV, PT, SK, SI : I3+ (28-30/37MBAR)
 GB : I3+ (28-30/37MBAR) PIN NO. 359BQ491
 MANIF. PRESS.: 28-30/37MBAR INJECTOR: Ø 2.30 MM
 LPG GAS: G30/G31
 (INLET PRESS.: 28-30/37 MBAR, CAL. VAL. 125810/95650 KJ/M3)

The central label also contains the following information:

Product no.: WXXXXX
 Serial no.: 9868XXXXXX
 OC number: 09XXXXX Date(YMM): 10XX
 Capacity: X kg
 Type/Model: WN3...WN3XXXX
 Voltage: 380 - 400V 3N ~ 50Hz
 Rated Input: 1,6kW
 10A

Technical specifications for the central label:

ΣQn(Hs) 21 KW PIN NO. 2575DM30487
 AT, BG, CZ, DK, EE, FI, GR, HR, HU, IS, IE, IT, LV,
 LT, NO, PT, RO, SK, SI, ES, SE, CH, TR : I2H (20MBAR)
 DE, PL, LU : I2E (20/25MBAR)
 GB : I2H (20MBAR) PIN NO. 359BQ491
 MANIF. PRESS.: 8 MBAR INJECTOR: Ø 4.00 MM
 NATURAL GAS : G20
 (INLET PRESS.: 20-25 MBAR, CAL. VAL. 37780 KJ/M3)

For safety reasons use only genuine spare parts.

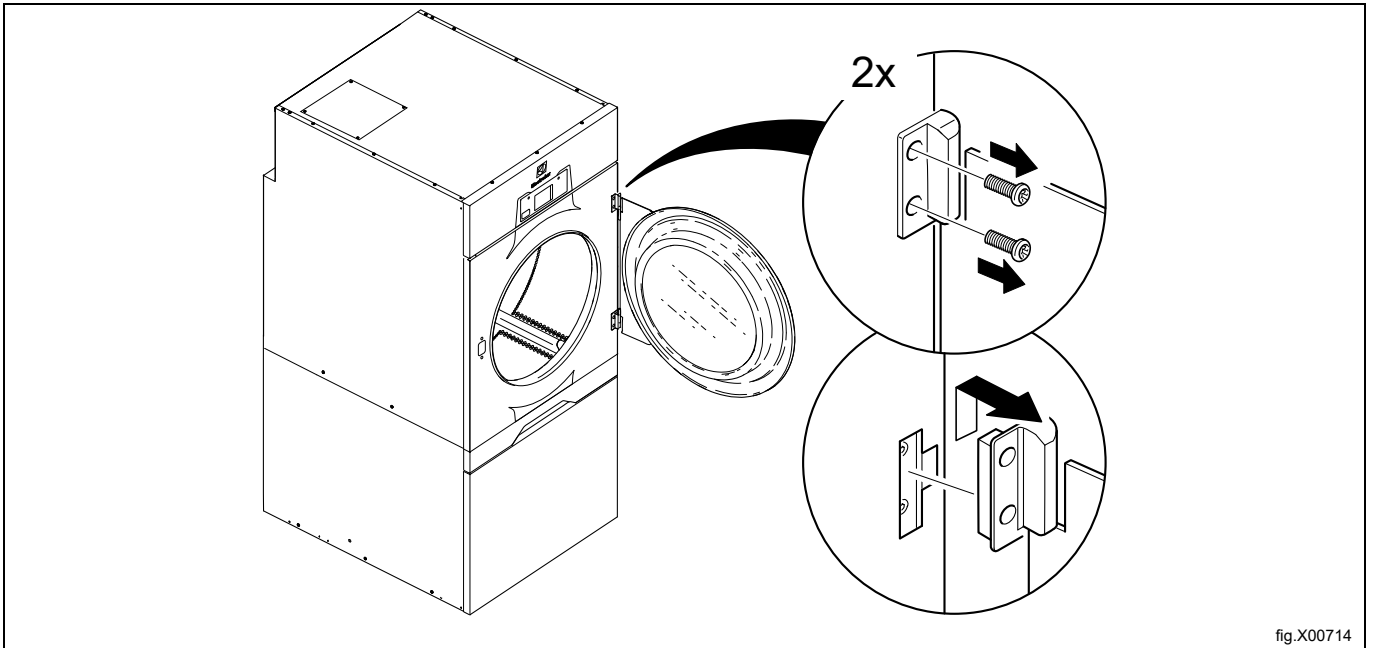
Made in Sweden
 Electrolux Professional AB
 341 80 Ljungby, Sweden

Product no.: WXXXXX
 Serial no.: 9868XXXXXX
 OC: 09XXXXX Date: 10XX
 Program: 432XXXXXX, 5XXX
 Type: WN3...WN3XXXX

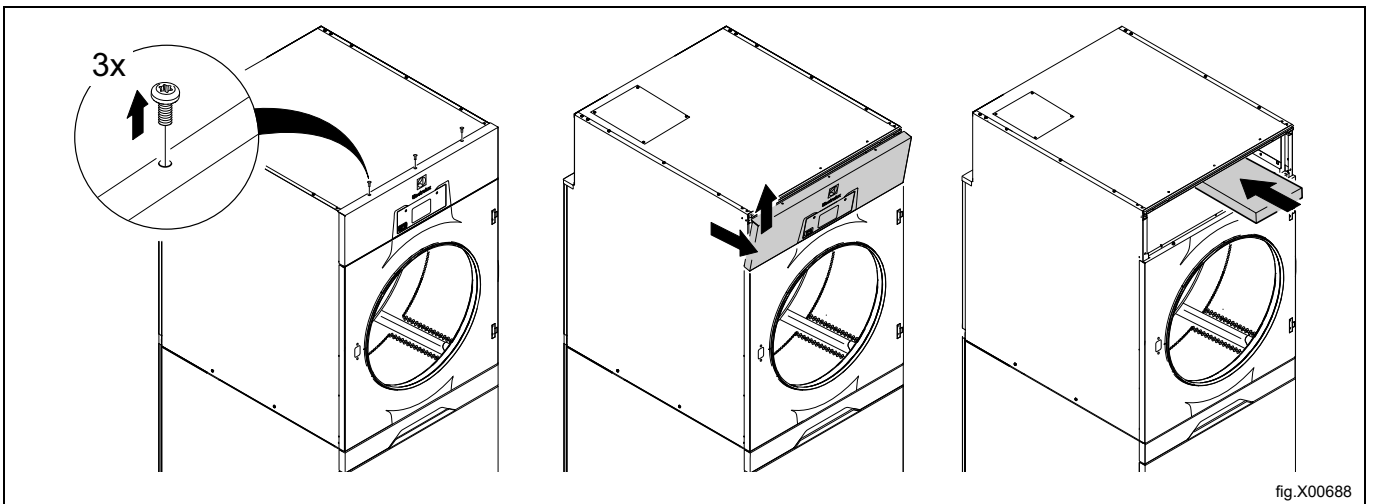
8 Reversing the door

Disconnect the power to the machine.

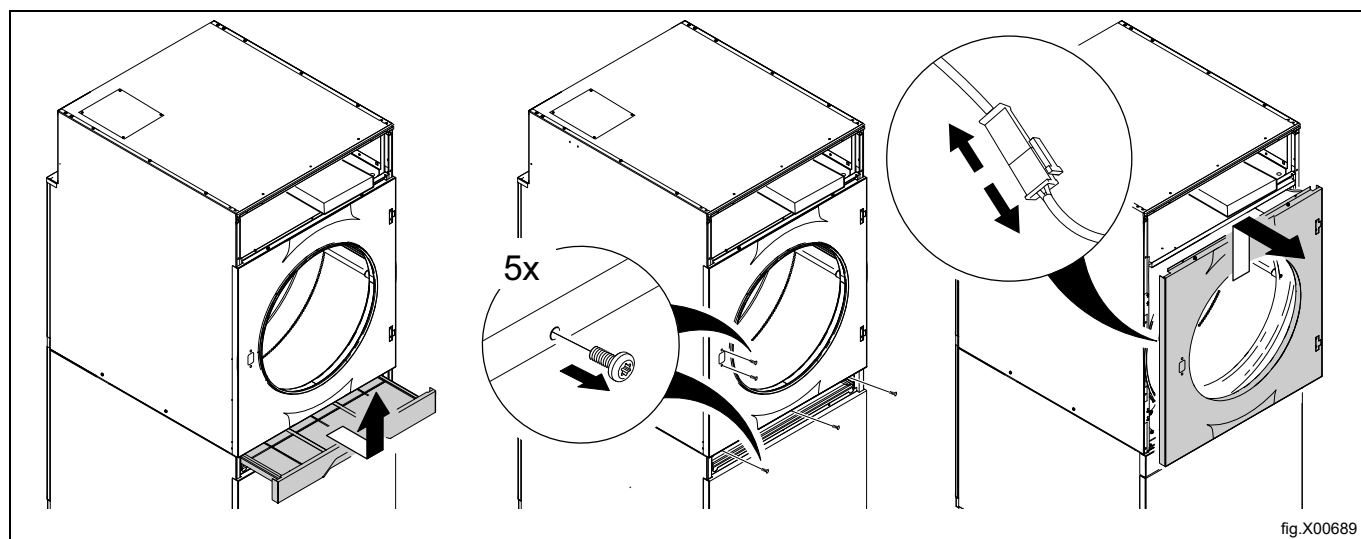
Demount the hinges and remove the door. Remove the upper hinge first.



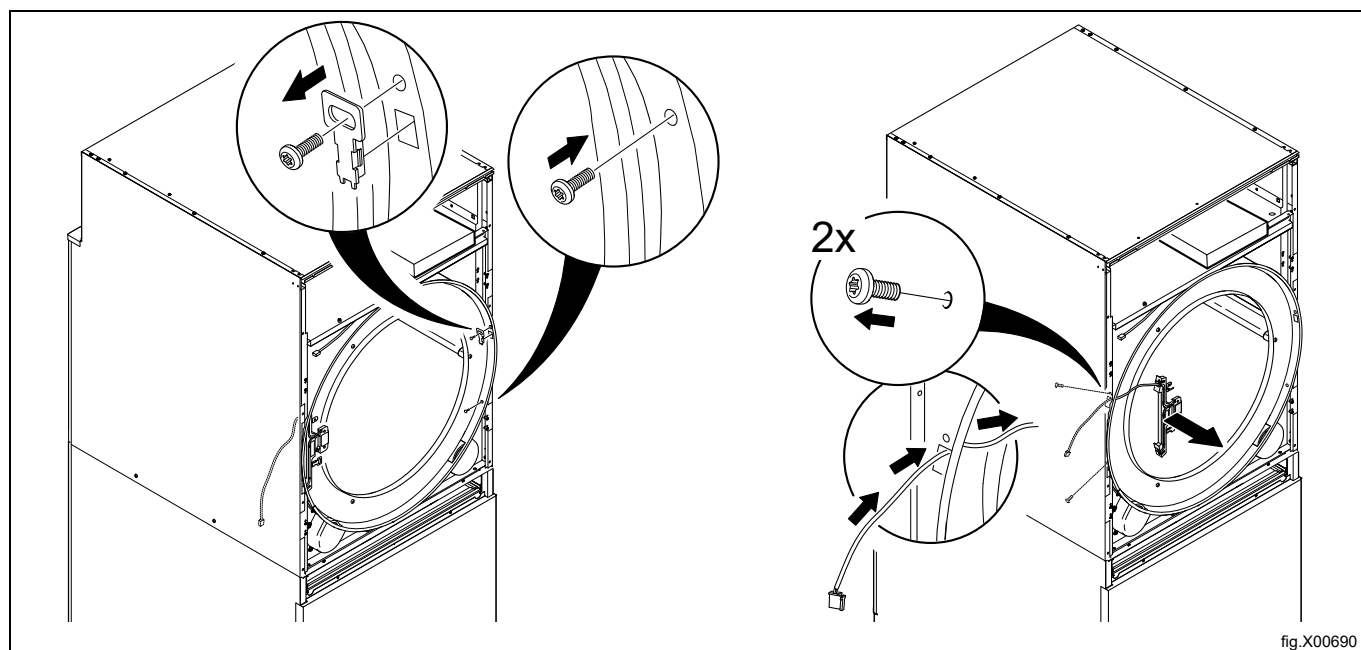
Demount the upper front panel and carefully place it in the area over the front panel (place it with the front facing upwards). Be careful not to damage the cables. (It is also possible to disconnect the cables and put the upper front panel elsewhere).



Remove the filter drawer from the machine.
Remove the screws to the door switch magnet.
Demount the front panel.
Disconnect the door switch cable.



Remove the upper screw, the cover and the lower screw on the right side.
Remove the screws on the left side to release the reed switch bracket holding the door switch cable. Pull the door switch cable through the hole to release it.



On the reed switch bracket, pull out and move the door switch cable from the upper to the lower position according to the figure. Make sure that the cable and the end piece are in position.

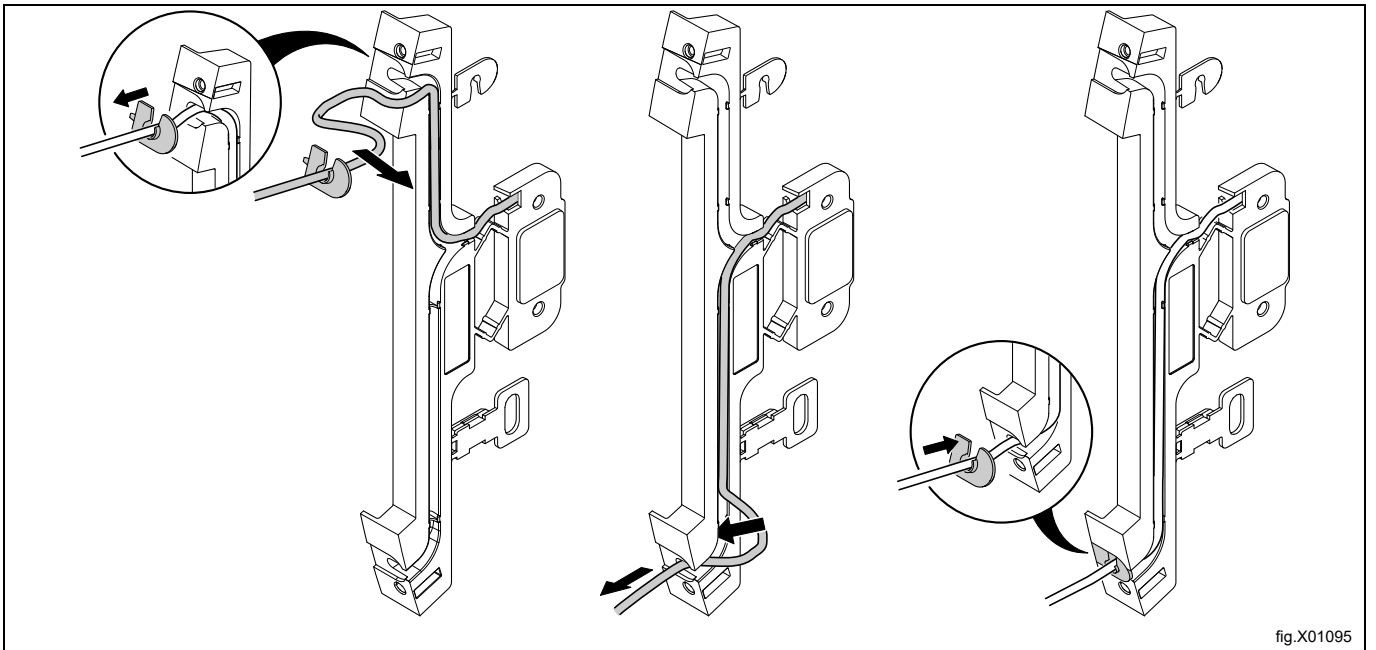


fig.X01095

Turn the reed switch bracket up side down and mount it on the right side. Pull the door switch cable out through the hole and connect it.

Fasten the reed switch bracket with the screws on the right side.

Remount the cover and fasten the upper and lower screw on the left side.

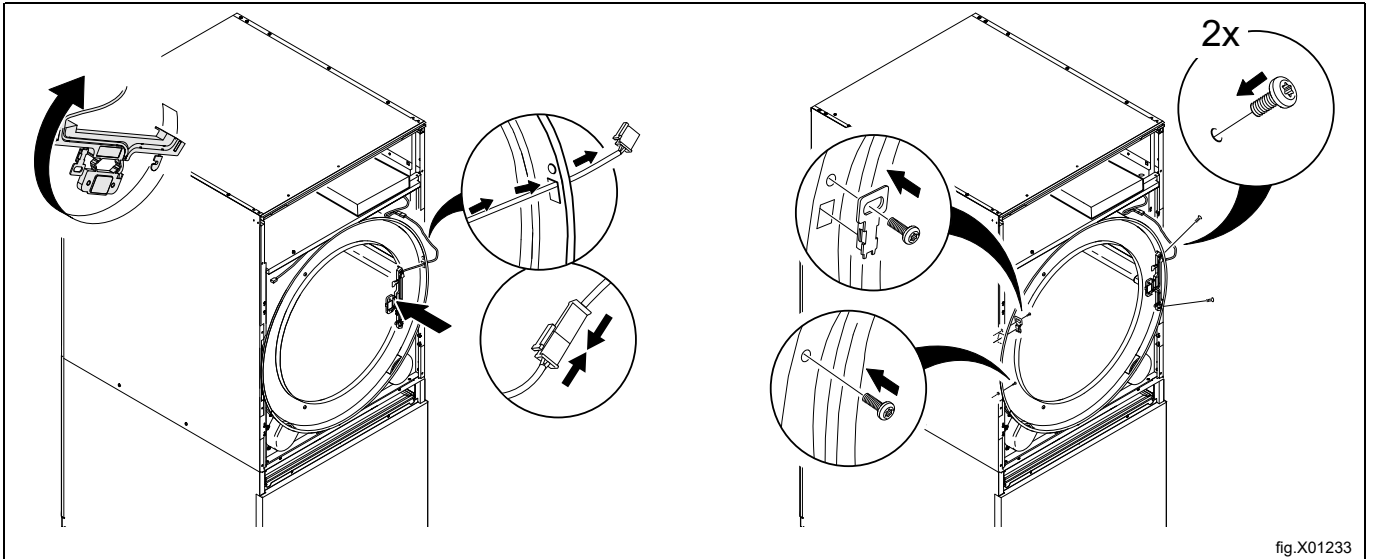


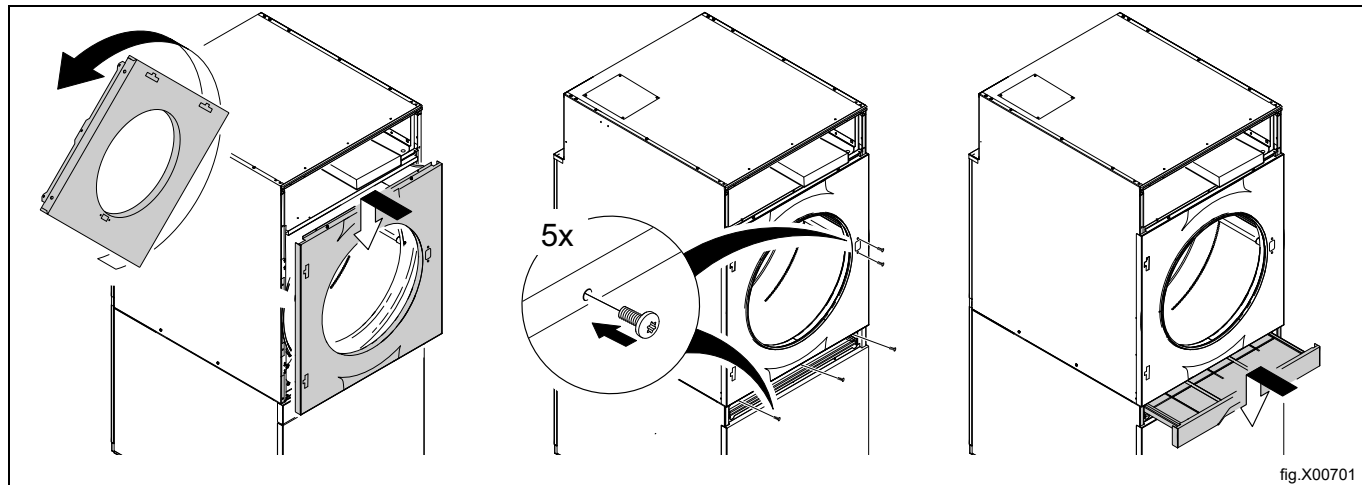
fig.X01233

Turn the front panel up side down and remount it on the machine.
Fasten the screws to the door switch magnet.

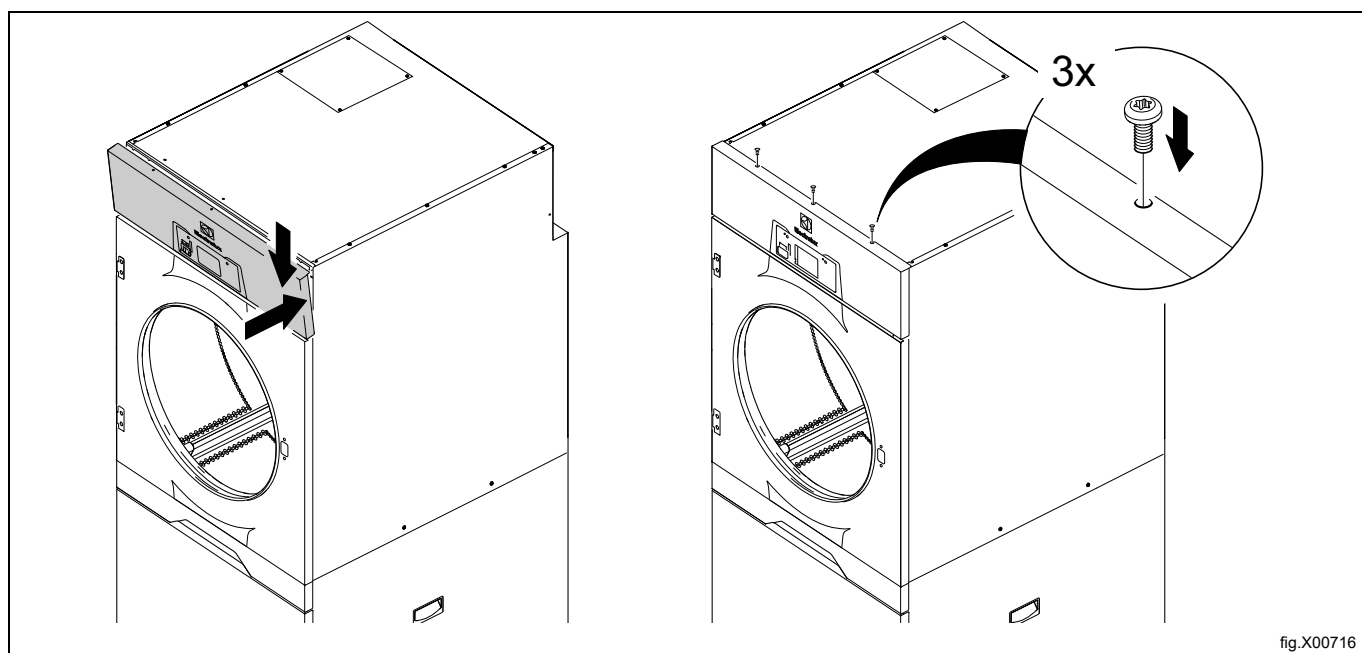


Ensure that the door switch cable does not get damaged when remounting the front panel.

Insert the filter drawer.



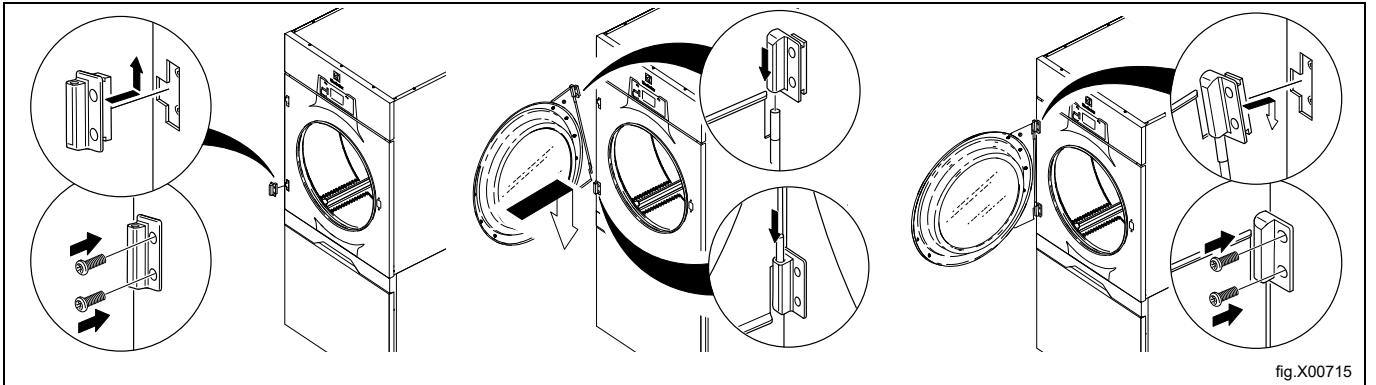
Remount the upper front panel.



Remount the lower hinge first.

Position the door on the lower hinge.

Put the upper hinge on the door and then fasten the hinge while it is on the door.



Connect the power to the machine.

Test run the machine.

9 At first power up

When the installation is complete and the power is connected for the first time you will be forced to make the following settings. When one setting is ready you will automatically enter the next one. Follow the instructions on the display.

- Select language
- Set time and date
- Activate/deactivate the service alarm

9.1 Select language

Select language from the list on the display. Scroll with the up- and down arrows.

This will be the language that all display messages, program names etc will be presented in.

9.2 Set time and date

Select **YES** and press **▶||** to get to the **TIME/DATE** menu.

Activate the **SET TIME** menu and set the correct time.

Save the settings.

Activate the **SET DATE** menu and set the correct date. Start by setting the year.

- Set the year. Exit to continue with a long press on **▶||**.
- Set the month. Exit to continue with a long press on **▶||**.
- Set the day. Exit with a long press on **▶||** and then save with a long press on **▶||**.

Exit the menu when ready.

9.3 Activate/Deactivate the service alarm

Set if the machine shall give a service alarm or not with **YES** or **NO**.

Exit and save the settings.

10 Function check



May only be carried out by qualified personnel.



The following function checks shall be made when:

- The installation is completed and before the machine can be used for the first time.
- Whenever a repair has been made.

Check the automatic stop of the machine

- Start a program and check if the machine stops if the door is opened or if the filter drawer is pulled out.
- If the machine does not stop, one of the micro switches are not working properly.

Check the direction of rotation on the fan motor (only on machines with 3-phase power supply)

- Remove the filter drawer and demount the lower front panel.
- Insert the filter drawer.

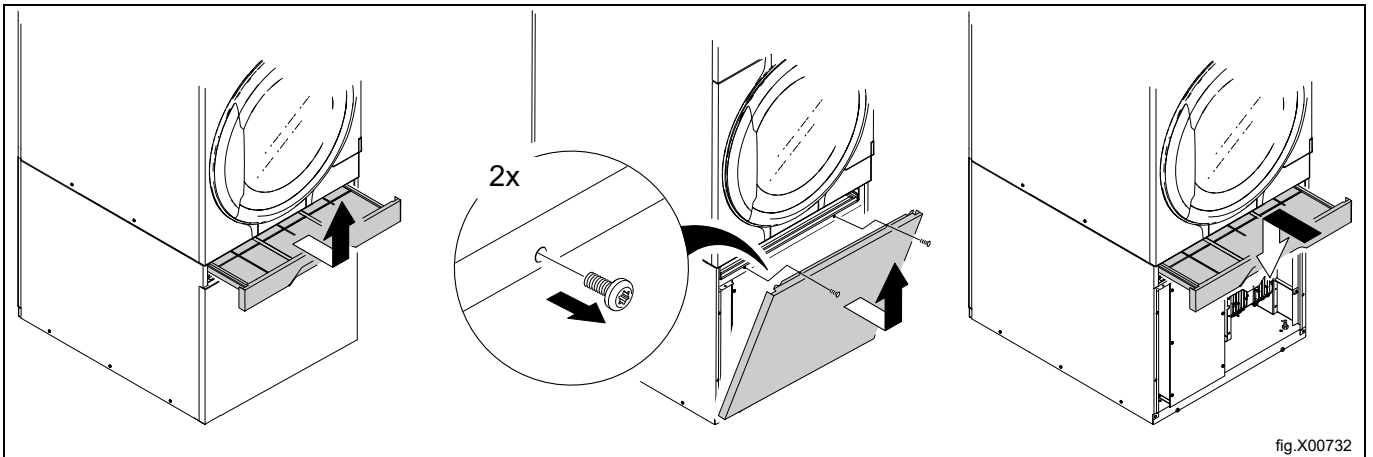


fig.X00732

If you have a machine with drum speed control you also need to demount the cover panel to the fan motor.

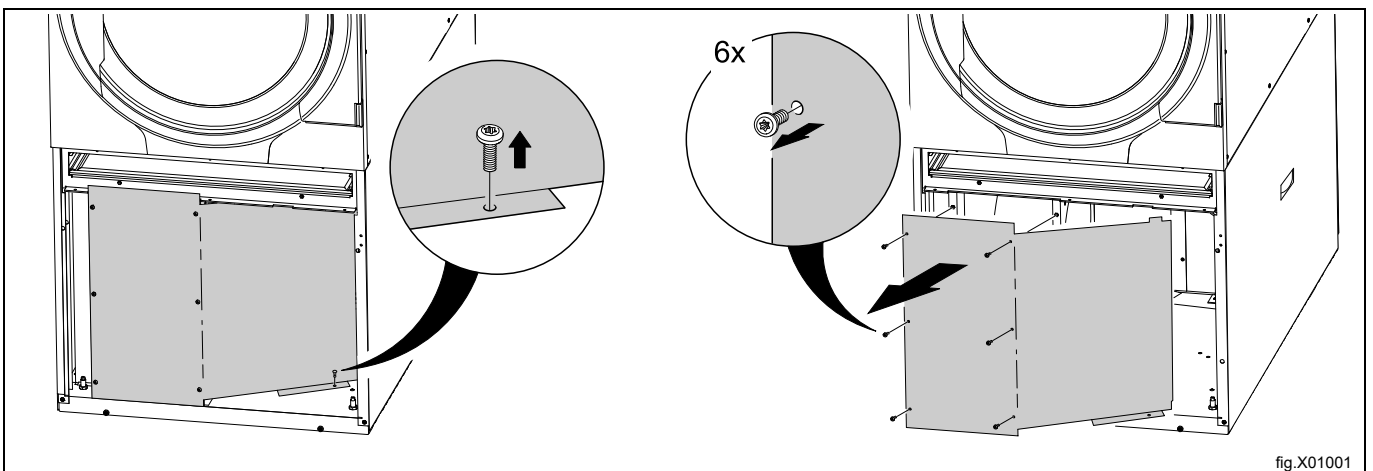
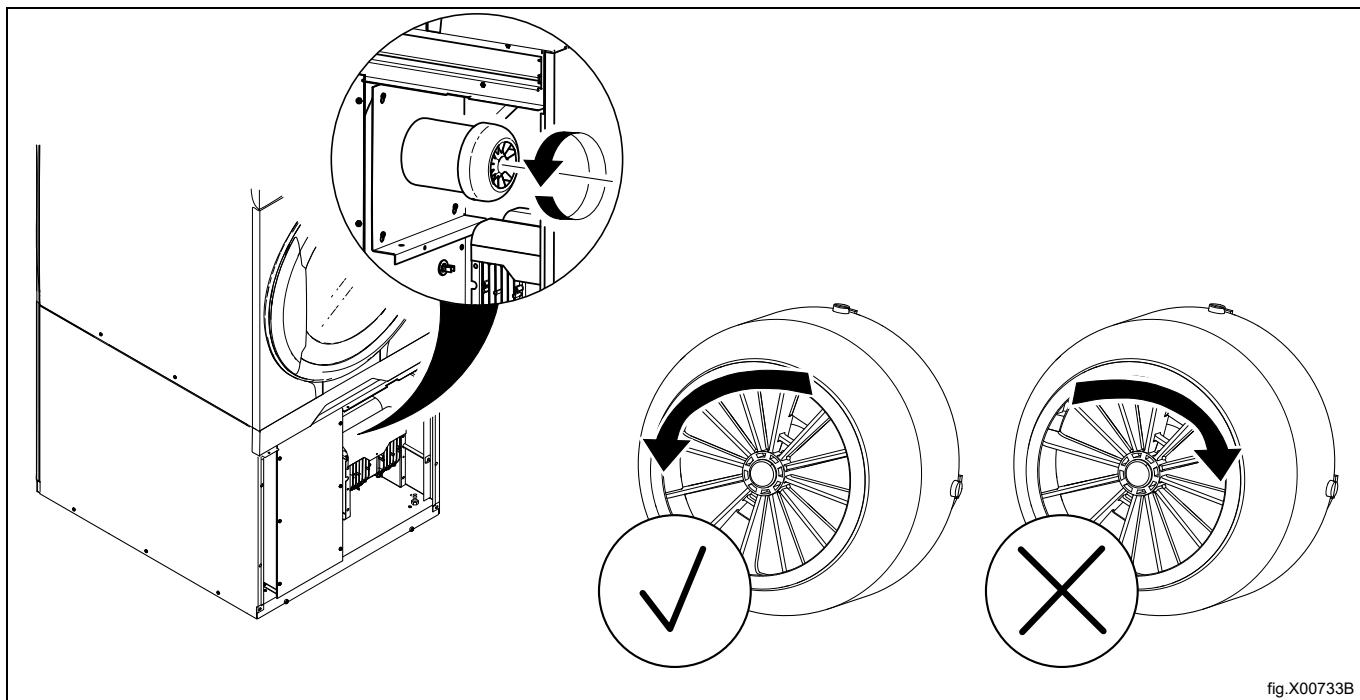


fig.X01001

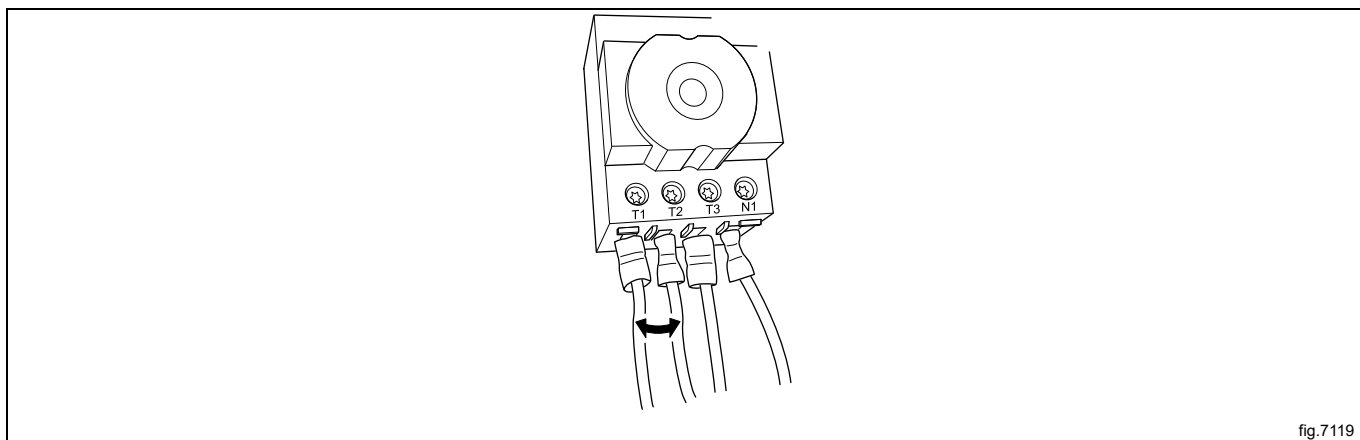
- Start a program and check that the direction of the fan motor is correct. The direction shall be counter clock-wise.



If the direction of the fan motor is wrong, swap two of the three phases to the left on the connection terminal.

Note!

Wrong direction of the fan motor will result in an error code about low air flow.



- Remove the filter drawer and remount the panels.
- Insert the filter drawer.

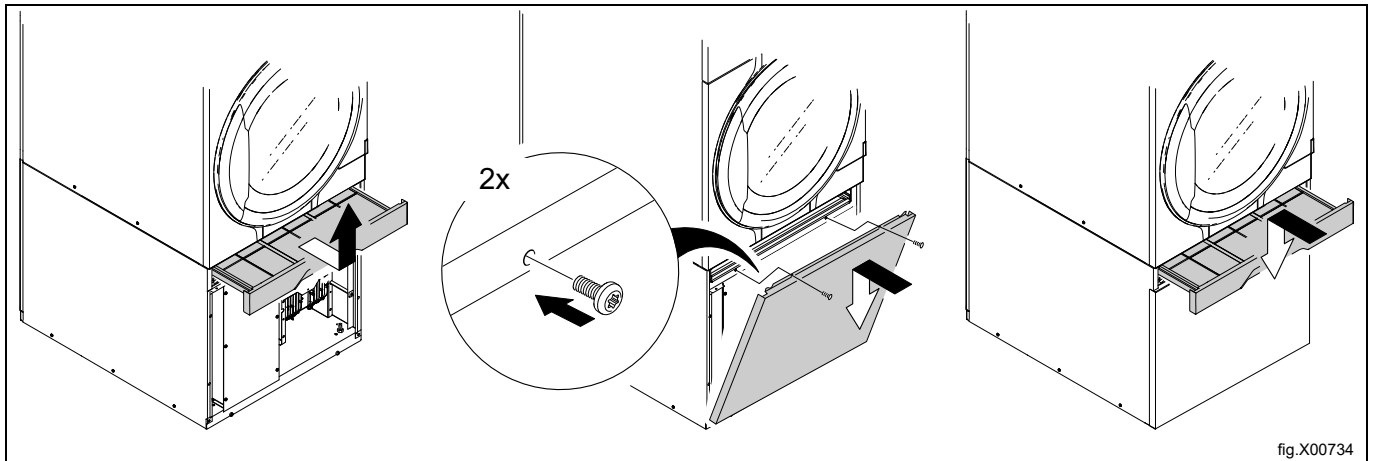


fig.X00734

Check the heat

- Start a program with heat and let the machine work with an empty drum for about five minutes.
- Open the door and sense if there is heat in the drum.

During a drying cycle, when the square in the lower right corner is fully ticked, it indicates that the heating unit is active / ON. The heating unit can be gas, electric, steam or heat pump type.

If the square box is not ticked, it doesn't mean the heating unit is abnormal. This box is just monitoring the status of the heating unit and shows if it is Active / ON or Inactive / OFF.

- A = Active / ON
- B = Inactive / OFF

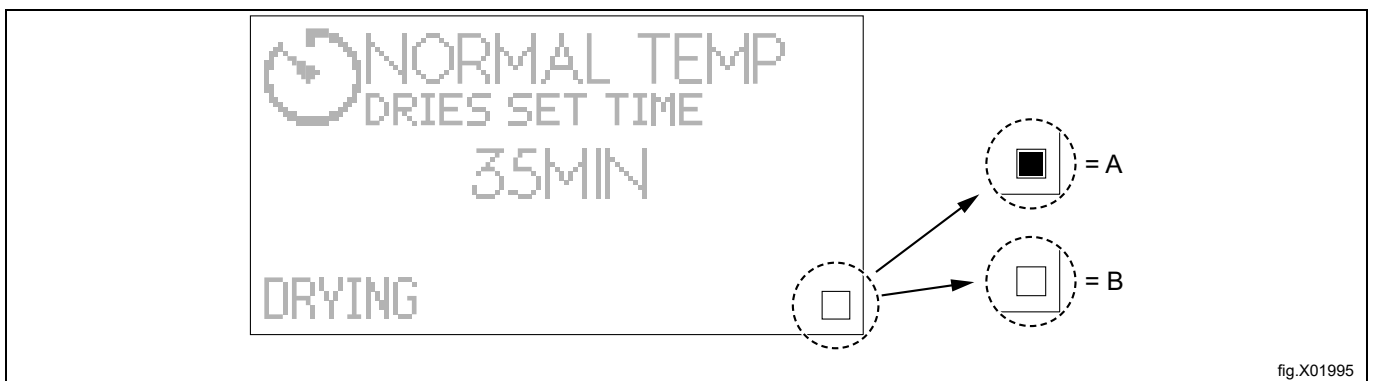


fig.X01995

Ready to use

If all tests are OK the machine is now ready to be used.

If some of the tests failed, or deficiencies or errors are detected, please contact your local service organisation or dealer.

The installer shall instruct the user on the operation of the appliance before leaving.

11 Disposal information

11.1 Disposal of appliance at end of life

Before disposing of the machine, make sure to carefully check its physical condition, and in particular any parts of the structure that can give or break during scrapping.

The machine's parts must be disposed of in a differentiated way, according to their different characteristics (e.g. metals, oils, greases, plastic, rubber, etc.).

Different regulations are in force in the various countries, therefore comply with the provisions of the laws and competent bodies in the country where scrapping takes place.

In general, the appliance must be taken to a specialised collection/scrapping centre.

Dismantle the appliance, grouping the components according to their chemical characteristics, remembering that the compressor contains lubricant oil and refrigerant fluid which can be recycled, and that the refrigerator and heat pump components are special waste assimilable with urban waste.



The symbol on the product indicates that this product should not be treated as domestic waste, but must be correctly disposed of in order to prevent any negative consequences for the environment and human health. For further information on the recycling of this product, contact the local dealer or agent, the Customer Care service or the local body responsible for waste disposal.




Note!

When scrapping the machine, any marking, this manual and other documents concerning the appliance must be destroyed.

11.2 Disposal of packing

The packing must be disposed of in compliance with the current regulations in the country where the appliance is used. All the packing materials are environmentally friendly.

They can be safely kept, recycled or burned in an appropriate waste incineration plant. Recyclable plastic parts are marked as following examples.

	Polyethylene: <ul style="list-style-type: none"> • Outer wrapping • Instructions bag
	Polypropylene: <ul style="list-style-type: none"> • Straps
	Polystyrene foam: <ul style="list-style-type: none"> • Corner protectors



Electrolux Professional AB
341 80 Ljungby, Sweden
www.electroluxprofessional.com