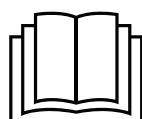


Installation manual

Tumble dryer

TD6–20
Type N2...



Electrolux
PROFESSIONAL

Contents

Contents

| | | |
|-------|---|----|
| 1 | Safety Precautions | 5 |
| 1.1 | Additional safety precautions for gas heated tumble dryer | 7 |
| 1.2 | General information | 7 |
| 1.3 | Commercial use only | 7 |
| 1.4 | Copyright | 7 |
| 1.5 | Ergonomics certification | 7 |
| 1.6 | Symbols | 8 |
| 2 | Warranty terms and exclusions | 9 |
| 3 | Technical data | 10 |
| 3.1 | Electric heated machines | 10 |
| 3.1.1 | Drawing | 10 |
| 3.1.2 | Technical data | 11 |
| 3.2 | Steam heated machines | 12 |
| 3.2.1 | Drawing | 12 |
| 3.2.2 | Technical data | 13 |
| 3.3 | Gas heated machines | 14 |
| 3.3.1 | Drawing | 14 |
| 3.3.2 | Technical data | 15 |
| 3.4 | Machines with heat pump | 16 |
| 3.4.1 | Drawing | 16 |
| 3.4.2 | Technical data | 17 |
| 4 | Setup | 18 |
| 4.1 | General | 18 |
| 4.2 | Unpacking | 18 |
| 4.3 | Recycling instruction for packaging | 20 |
| 4.4 | Wheels | 21 |
| 4.5 | Siting | 21 |
| 4.6 | Drain connection (only for machines with heat pump) | 22 |
| 4.7 | Mechanical installation | 22 |
| 5 | Marine installation | 23 |
| 6 | Evacuation system | 24 |
| 6.1 | Air principle | 24 |
| 6.1.1 | Electric-, Steam- and Gas heated machines | 24 |
| 6.1.2 | Machines with heat pump | 24 |
| 6.2 | Fresh air | 25 |
| 6.3 | Exhaust duct | 25 |
| 6.4 | Shared exhaust duct | 26 |
| 6.5 | Exhaust dimensioning | 26 |
| 6.6 | Adjusting the air flow (not valid for tumble dryers with heat pump) | 27 |
| 7 | Electrical connection | 33 |
| 7.1 | Electrical installation | 33 |
| 7.2 | Machine connection with ferrite | 34 |
| 7.2.1 | Machines with AFC or DSC | 34 |
| 7.3 | Single-phase connection | 35 |
| 7.4 | Three-phase connection | 36 |
| 7.5 | Electrical connections | 38 |
| 7.6 | Functions for I/O-cards | 39 |
| 7.6.1 | Central payment (2J) | 39 |
| 7.6.2 | Central payment (2J) | 40 |
| 7.6.3 | External coin meter/Central payment (2K) | 41 |
| 7.6.4 | Price reduction (2K) | 42 |
| 7.7 | Option | 42 |
| 7.7.1 | External connection 100 mA | 42 |
| 7.7.2 | External connection 1.25 A | 43 |
| 8 | Steam connection | 44 |
| 8.1 | Connecting the steam | 44 |
| 9 | Gas connection | 46 |
| 9.1 | Fasten the label | 46 |
| 9.2 | General | 46 |
| 9.3 | Gas installation | 47 |
| 9.4 | Table of pressure and adjustment | 48 |

Contents

| | | |
|--------|---|----|
| 9.5 | Test run..... | 49 |
| 9.6 | Converting instructions..... | 50 |
| 9.7 | Data label..... | 52 |
| 10 | Reversing the door..... | 53 |
| 11 | At first power up..... | 58 |
| 11.1 | Select language..... | 58 |
| 11.2 | Set time and date..... | 58 |
| 11.3 | Activate/Deactivate the service alarm..... | 58 |
| 12 | Function check..... | 59 |
| 13 | Disposal information..... | 62 |
| 13.1 | Appliance recyclability and disposal..... | 62 |
| 13.1.1 | Recyclability..... | 62 |
| 13.1.2 | Procedure regarding appliance disposal and component / material recovery..... | 62 |
| 13.2 | Disposal of packing..... | 62 |

The manufacturer reserves the right to make changes to design and component specifications.

1 Safety Precautions

- Servicing shall be carried out only by authorized personnel.
- Only authorized spare parts, accessories and consumables shall be used.
- The machine is not to be used if industrial chemicals have been used for cleaning.
- Do not dry unwashed items in the machine.
- **WARNING:** Items that have been soiled with substances such as hair care products, cooking oil, acetone, alcohol, petrol, kerosene, spot removers, turpentine, waxes and wax removers shall be cleaned sufficiently to remove the contaminant before being tumble dried. When washing such soiled items ensure the use of detergent as specified by the detergent manufacturer and select the highest suitable temperature. If in doubt, wash the items several times.
- Items such as foam rubber (latex foam), shower caps, waterproof textiles, rubber backed articles and clothes or pillows fitted with foam rubber pads should not be dried in the machine.
- Fabric softeners or similar products should be used as specified by the fabric softener instructions.
- The final part of a drying cycle occurs without heat (cool down cycle) to ensure that the items are left at a temperature that ensures that the items will not be damaged.
- Remove all objects from pockets such as lighters and matches.
- **WARNING.** Never stop the machine before the end of the drying cycle unless all items are quickly removed and spread out so that the heat is dissipated.
- Adequate ventilation has to be provided to avoid the back flow of gases into the room for appliances burning other fuels, including open fires.
- Exhaust air must not be discharged into a flue which is used for exhausting fumes from appliances burning gas or other fuels.
- The machine must not be installed behind a lockable door, a sliding door or a door with a hinge on the opposite side to that of the machine in such a way that a full opening of the machine is restricted.
- If the machine has a lint trap this has to be cleaned frequently.
- The lint must not be accumulated around the machine.
- **DO NOT MODIFY THIS APPLIANCE.**
- When performing service or replacing parts, the power must be disconnected.
- When the power is disconnected, the operator must see that the machine is disconnected (that the plug is removed and remains removed) from any point to which he has access. If this is not possible, due to the construction or installation of the machine, a disconnection with a locking system in the isolated position shall be provided.
- In accordance with the wiring rules: mount a multi-pole switch prior to the machine to facilitate installation and service operations.
- Stationary appliances not fitted with means for disconnection from the supply mains having a contact separation in all poles that provide full disconnection under overvoltage category III, means for disconnection must be incorporated in the fixed wiring in accordance with the wiring rules.
- **WARNING:** The appliance must not be supplied through an external switching device, such as a timer, or connected to a circuit that is regularly switched on and off by a utility.

- If different rated voltages or different rated frequencies (separated by a /) are stated at the machine data plate, instructions for adjusting the appliance for operation at the required rated voltage or rated frequency are stated in the installation manual.
- The openings in the base, shall not be obstructed by a carpet.
- Oil-affected items can ignite spontaneously, especially when exposed to heat sources such as in a tumble dryer. The items become warm, causing an oxidation reaction in the oil. Oxidation creates heat. If the heat cannot escape, the items can become hot enough to catch fire. Piling, stacking or storing oil-affected items can prevent heat from escaping and so create a fire hazard.
- Maximum mass of dry cloth: 20 kg.
- A-weighted emission sound pressure level at working stations: 70 dB(A).
- Additional requirements for the following countries; AT, BE, BG, HR, CY, CZ, DK, EE, FI, FR, DE, GR, HU, IS, IE, IT, LV, LT, LU, MT, NL, NO, PL, PT, RO, SK, SI, ES, SE, CH, TR, UK:
 - The appliance can be used in public areas.
 - This appliance can be used by children aged from 8 years and above and persons with reduced physical, sensory or mental capabilities or lack of experience and knowledge if they have been given supervision or instruction concerning use of the appliance in a safe way and understand the hazards involved. Children shall not play with the appliance. Cleaning and user maintenance shall not be made by children without supervision.
 - Children of less than 3 years should be kept away unless continuously supervised.
- Additional requirements for other countries:
 - This appliance is not intended for use by persons (including children) with reduced physical, sensory or mental capabilities, or lack of experience and knowledge, unless they have been given supervision or instruction concerning use of the appliance by a person responsible for their safety. Children should be supervised to ensure that they do not play with the appliance.

1.1 Additional safety precautions for gas heated tumble dryer

- Before installation, check that the local distribution conditions, nature of gas and pressure and the adjustment of the appliance are compatible.
- The machine is not to be installed in rooms containing cleaning machines with perchloroethylene, TRICHLOROETHYLENE or CHLOROFLUOROCONTAINING HYDROCARBONS as cleaning agents.
- NOTE: it is pointed out that the connection and commissioning of appliances complying with this standard are subject to observance of the installation regulations in force in the countries where these appliances are marketed.
- Connection to the appliance shall be made with a flexible hose suitable for the appliance category in accordance with national installation regulations of the country of destination and that in case of doubt the installer shall contact the supplier.
- The appliance should be installed on non-flammable materials for the floor, worktop and/or wall close to the appliance if required.
- If you can smell gas:
 - Do not switch on any equipment
 - Do not use electrical switches
 - Do not use telephones in the building
 - Evacuate the room, building or area
 - Contact the person responsible for the machine

1.2 General information

Conditions for storage and transportation of the appliance should fulfil a temperature between -20°C / + 70°C and max Humidity of 95% RH.

In order to prevent damage to the electronics (and other parts) that may occur as the result of condensation, the machine should be placed in room temperature for 24 hours before being used for the first time.

Electric power supply should follow:

- Max range for each country rated voltage: -15% / +10%.
- Max range for each country rated frequency: ± 3 Hz.
- Dips/Interruption: 5 Dips/day (100% voltage lost, with 3-4 minutes duration).

A stable power supply is always the best. Fluctuations gives stress and additional load on all electric and electronic components.

1.3 Commercial use only

The machine/machines covered by this manual is/are made for commercial and industrial use only.

1.4 Copyright

This manual is intended solely for consultation by the operator and can only be given to third parties with the permission of Electrolux Professional AB company.

1.5 Ergonomics certification

The human body is designed for movement and activity but physical stress injuries as a result of static and repetitive movements or unfavorable working postures may occur.

The ergonomic features of your product, the ones which may influence your physical and cognitive interaction with it, have been assessed and certified.

A product which exhibits ergonomic features, in fact, shall fulfil specific ergonomic requirements, belonging to three different areas: Polytechnic, Biomedical and Psychosocial (usability and satisfaction).

For each of these areas, specific tests with real users have been performed. The product was therefore compliant with the ergonomic acceptability criteria requested by the standards.






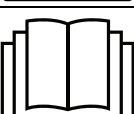
In case several machines are managed by the same operator the repetitive movements will increase and as a consequence of this the related biomechanical risk will increase exponentially.

The possible postural risks are the interaction with the user interface, display and buttons.

Follow the below recommendations to avoid, as much as possible, operators acquiring bodily injury.

- Make sure there are suitable trolleys or baskets for loading, unloading and transportation.
- Organize job rotation in the working place in the case several machines are managed by the same operator.

1.6 Symbols

| | |
|---|--|
|  | Caution |
|  | Caution, hot surface |
|  | Caution, high voltage |
|  | Warning, risk of fire / flammable material |
|  | Danger, crush hazard |
|  | Read the instructions before using the machine |

2 Warranty terms and exclusions

If the purchase of this product includes warranty coverage, warranty is provided in line with local regulations and subject to the product being installed and used for the purposes as designed, and as described within the appropriate equipment documentation.

Warranty will be applicable where the customer has used only genuine spare parts and has performed maintenance in accordance with Electrolux Professional AB user and maintenance documentation made available in paper or electronic format.

Electrolux Professional AB strongly recommends using Electrolux Professional AB approved cleaning, rinse and descaling agents to obtain optimal results and maintain product efficiency over time.

The Electrolux Professional AB warranty does not cover:

- service trips cost to deliver and pick up the product;
- installation;
- training on how to use/operate;
- replacement (and/or supply) of wear and tear parts unless resulting from defects in materials or workmanship reported within one (1) week from the failure;
- correction of external wiring;
- correction of unauthorized repairs as well as any damages, failures and inefficiencies caused by and/or resulting from;
 - insufficient and/or abnormal capacity of the electrical systems (current/voltage/frequency, including spikes and/or outages);
 - inadequate or interrupted water supply, steam, air, gas (including impurities and/or other that does not comply with the technical requirements for each appliance);
 - plumbing parts, components or consumable cleaning products that are not approved by the manufacturer;
 - customer's negligence, misuse, abuse and/or non-compliance with the use and care instructions detailed within the appropriate equipment documentation;
 - improper or poor: installation, repair, maintenance (including tampering, modifications and repairs carried out by third parties not authorized third parties) and modification of safety systems;
 - Use of non-original components (e.g.: consumables, wear and tear, or spare parts);
 - environment conditions provoking thermal (e.g. overheating/freezing) or chemical (e.g. corrosion/oxidation) stress;
 - foreign objects placed in- or connected to- the product;
 - accidents or force majeure;
 - transportation and handling, including scratches, dents, chips, and/or other damage to the finish of the product, unless such damage results from defects in materials or workmanship and is reported within one (1) week of delivery unless otherwise agreed;
- product with original serial numbers that have been removed, altered or cannot be readily determined;
- replacement of light bulbs, filters or any consumable parts;
- any accessories and software not approved or specified by Electrolux Professional AB.

Warranty does not include scheduled maintenance activities (including the parts required for it) or the supply of cleaning agents unless specifically covered within any local agreement, subject to local terms and conditions.

Check on Electrolux Professional AB website the list of authorized customer care.

3 Technical data

3.1 Electric heated machines

3.1.1 Drawing

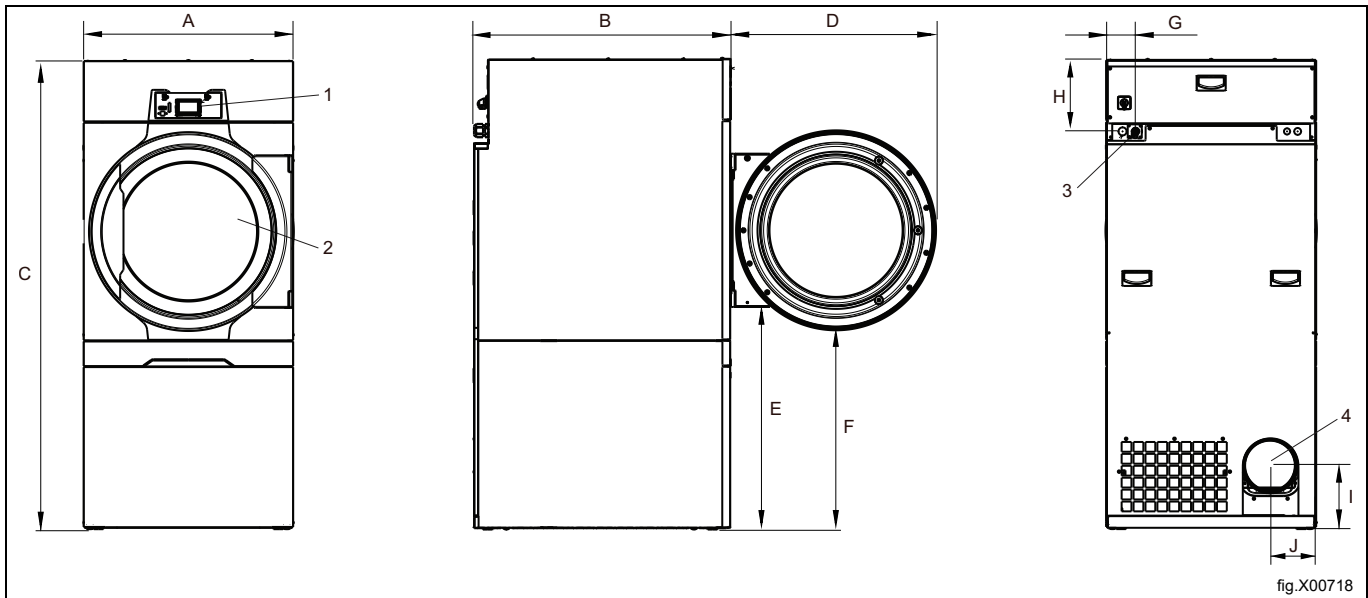


fig.X00718

| | |
|---|------------------------------------|
| 1 | Operating panel |
| 2 | Door opening, \varnothing 580 mm |
| 3 | Electrical connection |
| 4 | Exhaust connection |

| | A | B | C | D | E | F |
|----|-----|------|------|-----|-----|-----|
| mm | 795 | 1200 | 1770 | 775 | 835 | 750 |

| | G | H | I | J |
|----|-----|-----|-----|-----|
| mm | 110 | 270 | 240 | 175 |

3.1.2 Technical data

| | | |
|--|-------------------|-------|
| Weight, net | kg | 231 |
| Drum volume | liters | 360 |
| Drum diameter | mm | 755 |
| Drum depth | mm | 831 |
| Drum speed, medium load | rpm | 43 |
| Rated capacity, filling factor 1:18 (Max. load) | kg | 20 |
| Rated capacity, filling factor 1:22 (Recommended load) | kg | 16.4 |
| Heating: Electricity | kW | 13.2 |
| | kW | 13.5 |
| | kW | 18.0 |
| Optimum air flow, 13.5 kW** | m ³ /h | 470 |
| Optimum air flow, 18.0 kW** | m ³ /h | 580 |
| Optimum static back pressure, 13.5 kW** | Pa | 690 |
| Maximum static back pressure, 13.5 kW** | Pa | 700 |
| Optimum static back pressure, 18.0 kW** | Pa | 580 |
| Maximum static back pressure, 18.0 kW** | Pa | 600 |
| Sound power/pressure level at drying* | dB(A) | 72/56 |
| Heat emission of installed power, max | % | 15 |

* Sound power levels measured according to ISO 60704.

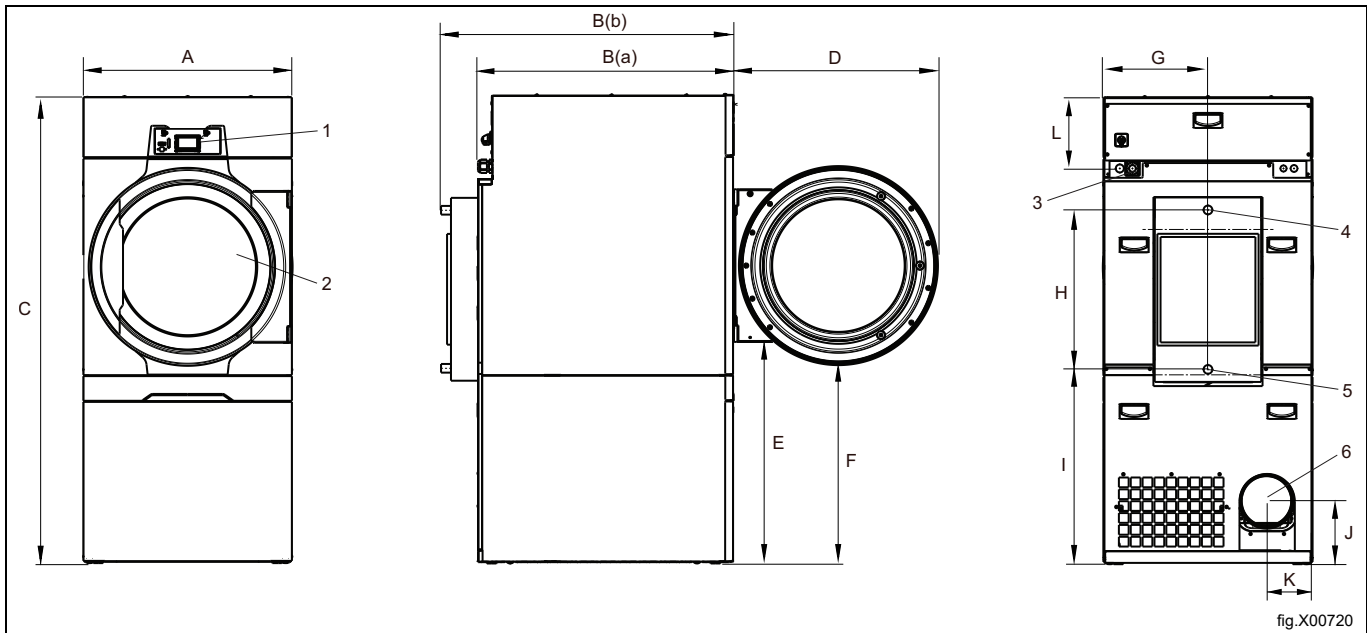
** In a cold empty machine.

Connections

| | | |
|------------|------|-----|
| Air outlet | ∅ mm | 200 |
|------------|------|-----|

3.2 Steam heated machines

3.2.1 Drawing



| | |
|---|------------------------------------|
| 1 | Operating panel |
| 2 | Door opening, \varnothing 580 mm |
| 3 | Electrical connection |
| 4 | Steam connection |
| 5 | Condensate connection |
| 6 | Exhaust connection |

| | A | B (a) | B (b) | C | D | E |
|----|-----|-------|-------|------|-----|-----|
| mm | 790 | 1200 | 1340 | 1770 | 775 | 835 |

| | F | G | H | I | J | K |
|----|-----|-----|-----|-----|-----|-----|
| mm | 750 | 395 | 605 | 740 | 240 | 175 |

| | L |
|----|-----|
| mm | 110 |

3.2.2 Technical data

| | | |
|--|-------------------|----------|
| Weight, net | kg | 238 |
| Drum volume | liters | 360 |
| Drum diameter | mm | 755 |
| Drum depth | mm | 831 |
| Drum speed, medium load | rpm | 43 |
| Rated capacity, filling factor 1:18 (Max. load) | kg | 20 |
| Rated capacity, filling factor 1:22 (Recommended load) | kg | 16.4 |
| Heating: Steam at 700 kPa | kW | 25.0 |
| Steam pressure | kPa | 100–1000 |
| Optimum air flow** | m ³ /h | 690 |
| Optimum static back pressure** | Pa | 570 |
| Maximum static back pressure** | Pa | 600 |
| Sound power/pressure level at drying* | dB(A) | 72/56 |
| Heat emission of installed power, max | % | 15 |

* Sound power levels measured according to ISO 60704.

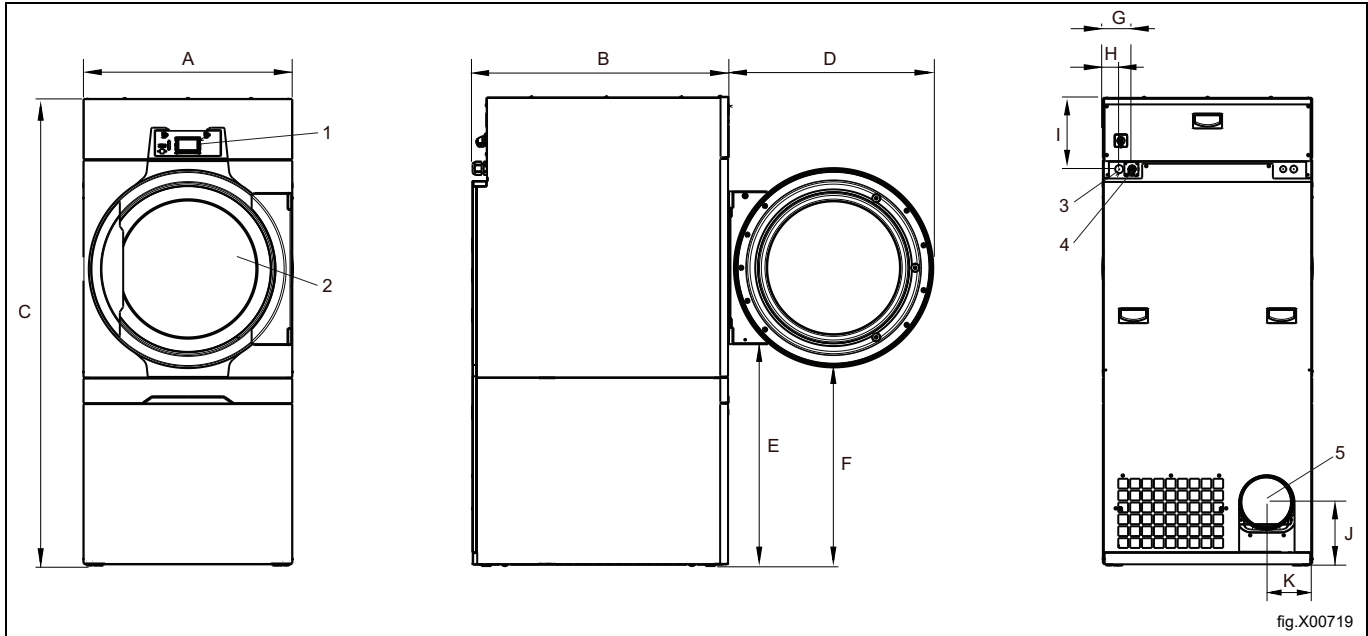
** In a cold empty machine.

Connections

| | | |
|--------------------|------|------------|
| Air outlet | ø mm | 200 |
| Steam inlet/outlet | | ISO 7/1–R1 |

3.3 Gas heated machines

3.3.1 Drawing



| | |
|---|------------------------------------|
| 1 | Operating panel |
| 2 | Door opening, \varnothing 580 mm |
| 3 | Electrical connection |
| 4 | Gas connection |
| 5 | Exhaust connection |

| | A | B | C | D | E | F |
|----|-----|------|------|-----|-----|-----|
| mm | 795 | 1200 | 1770 | 775 | 835 | 750 |

| | G | H | I | J | K |
|----|-----|----|-----|-----|-----|
| mm | 110 | 60 | 270 | 240 | 175 |

3.3.2 Technical data

| | | |
|--|-------------------|-------|
| Weight, net | kg | 231 |
| Drum volume | liters | 360 |
| Drum diameter | mm | 755 |
| Drum depth | mm | 831 |
| Drum speed, medium load | rpm | 43 |
| Rated capacity, filling factor 1:18 (Max. load) | kg | 20 |
| Rated capacity, filling factor 1:22 (Recommended load) | kg | 16.4 |
| Heating: Gas | kW | 21.0 |
| Optimum air flow** | m ³ /h | 690 |
| Optimum static back pressure** | Pa | 570 |
| Maximum static back pressure** | Pa | 600 |
| Sound power/pressure level at drying* | dB(A) | 72/56 |
| Heat emission of installed power, max | % | 15 |

* Sound power levels measured according to ISO 60704.

** In a cold empty machine.

Note!

- The default gas appliances are built to run on natural gas (GNH) according to 2H or 2E (G20).
- The default gas appliance shall not be installed at an altitude above 610 m (2001 ft).
- To run on another gas type or/and an altitude above 610 m (2001 ft) gas converting must be done on the machine.
- The gas converting accessories for other gases at altitudes below 610 m (2001 ft) are in the accessory bag.
- The high altitude accessory kit for altitudes above 610 m (2001 ft) is not included.
- The high-altitude kit is available to order for natural gas 2E (G20) and propane 3P, for the kit no. please refer to the spare parts list.
- For LPG use gas qualities according to GPA Midstream Standard 2140-23.

Connections

| | | |
|----------------|------|--------------|
| Air outlet | ∅ mm | 200 |
| Gas connection | 1/2" | ISO 7/1-R1/2 |

3.4 Machines with heat pump

3.4.1 Drawing

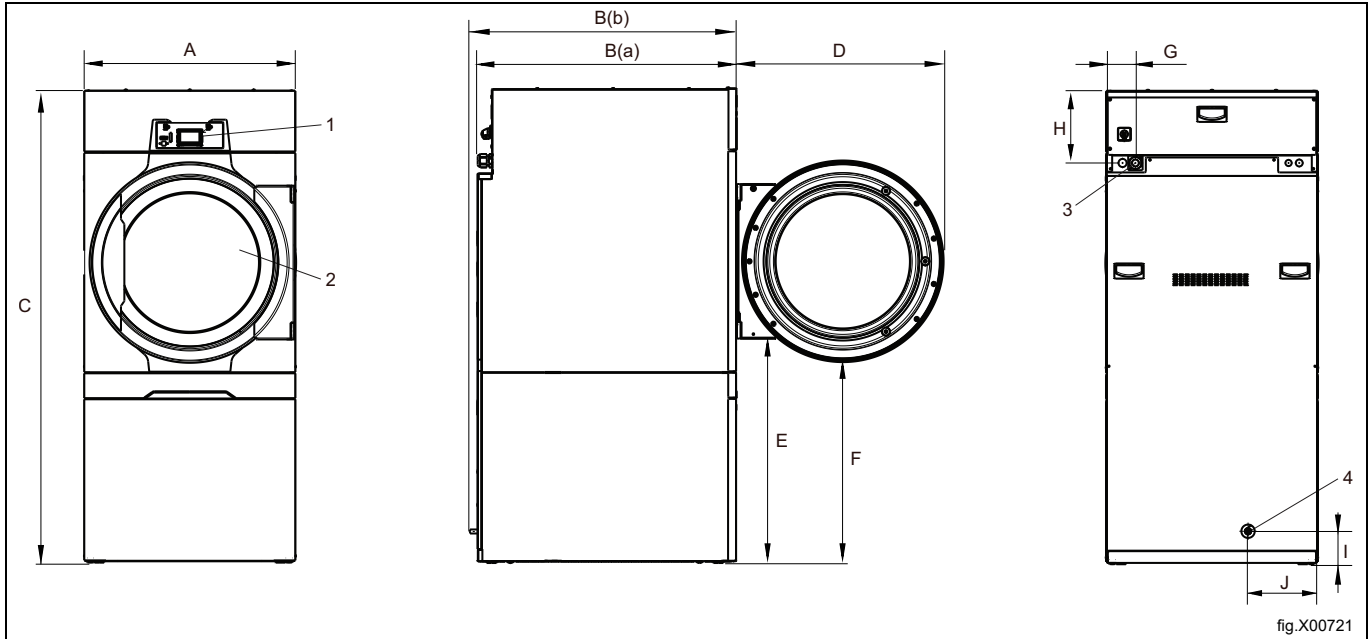


fig.X00721

| | |
|---|------------------------------------|
| 1 | Operating panel |
| 2 | Door opening, \varnothing 580 mm |
| 3 | Electrical connection |
| 4 | Drain for condense water |

| | A | B (a) | B (b) | C | D | E |
|----|-----|-------|-------|------|-----|-----|
| mm | 790 | 1200 | 1230 | 1770 | 775 | 835 |

| | F | G | H | I | J |
|----|-----|-----|-----|-----|-----|
| mm | 750 | 110 | 270 | 125 | 260 |

3.4.2 Technical data

| | | |
|---|-------------------|-----------|
| Weight, net | kg | 281 |
| Drum volume | liters | 360 |
| Drum diameter | mm | 755 |
| Drum depth | mm | 831 |
| Drum speed, medium load | rpm | 43 |
| Rated capacity, filling factor 1:18 (Max. load) | kg | 20 |
| Rated capacity, filling factor 1:22 (Recommended load) | kg | 16.4 |
| Optimum air flow** | m ³ /h | N/A |
| Optimum static back pressure** | Pa | N/A |
| Maximum static back pressure** | Pa | N/A |
| Sound power/pressure level at drying* | dB(A) | 72/56 |
| Average heat emission per drying cycle used to assess ventilation need*** | kW | 1.5 |
| Ambient operating temperature | °C | +10 – +45 |

* Sound power levels measured according to ISO 60704.

** In a cold empty machine.

*** For assistance with dimensioning necessary ventilation needs, contact authorized ventilation technician. For sufficient ventilation all sources introducing heat need to be taken into account plus all other parameters effecting the ventilation need. Climate zone, building parameters, room size, etc.

Connections

| | | |
|----------------------------------|------|----|
| Pipe connection, condensed water | ø mm | 15 |
|----------------------------------|------|----|

Heat pump

| | | |
|-----------------------|----|-------|
| Type of refrigerant | | R134a |
| Amount of refrigerant | kg | 1.6 |

Fluorinated greenhouse gases

This product contains fluorinated greenhouse gases:

R134a: 1.600 kg

GWP 1430

CO₂ equivalent 2.288 t

Hermetically sealed

4 Setup

4.1 General

The principle work flow to setup or install this machine is as follows:

Gas-, Electric-, Steam heating:

1. Unpacking
2. Positioning/siting, levelling or/and securing the machine.
3. Correcting the fresh air/air intake's size, exhaust duct's size and pipe(s) connections in considering a stand-alone machine or sharing exhaust duct.
4. Electric connections, connect the power supply to the machine.
5. Air flow or static back pressure adjustments in a cold empty machine in considering a stand-alone machine or sharing exhaust duct.
6. Gas connection, gas converting, high altitude kit installation. (For gas heated machine).
7. Function check.
8. Option functions check.

More details are described in each part of this installation manual.

Heat pump heating:

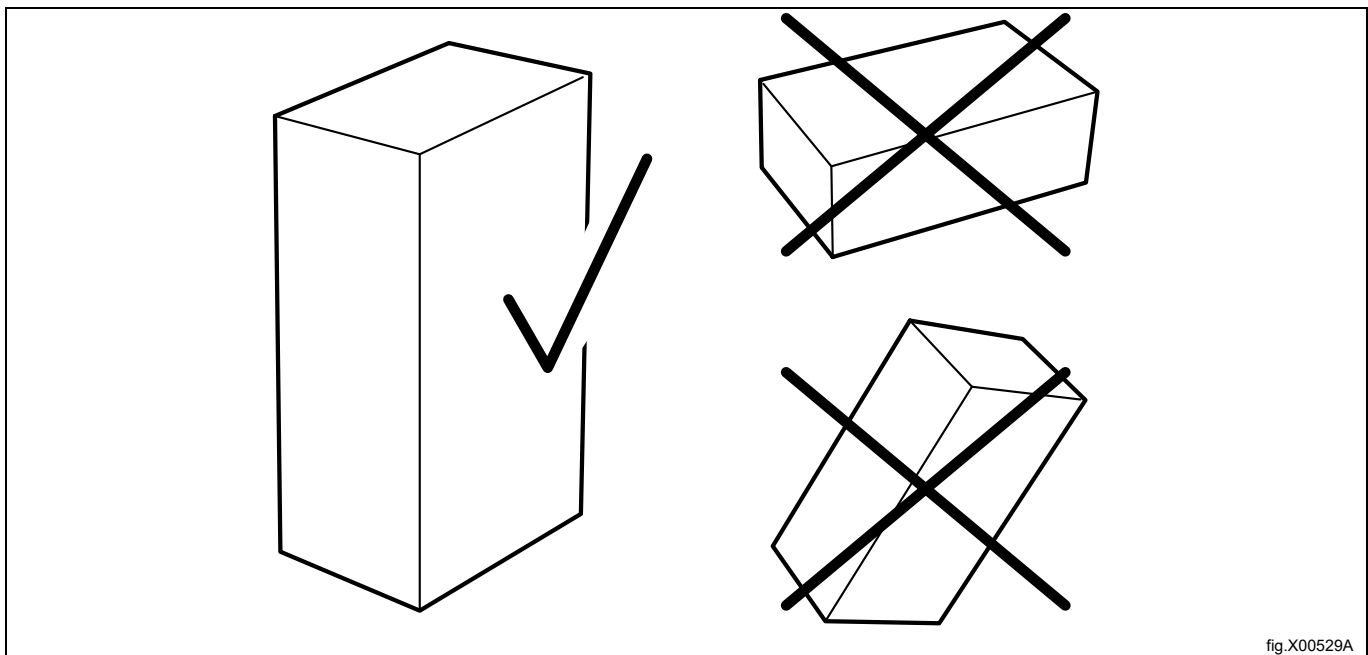
1. Unpacking
2. Positioning/siting, levelling or/and securing the machine.
3. Correcting the fresh air to compensate the heat emission of machine(s) and connect the drain(s).
4. Electric connections, connect the power supply to the machine.
5. Function check.
6. Option functions check.

More details are described in each part of this installation manual.

4.2 Unpacking

Note!

For machines with heat pump; if the unit has been laid down or tilted more than 45°, wait 24 hours after installation before operating the unit.

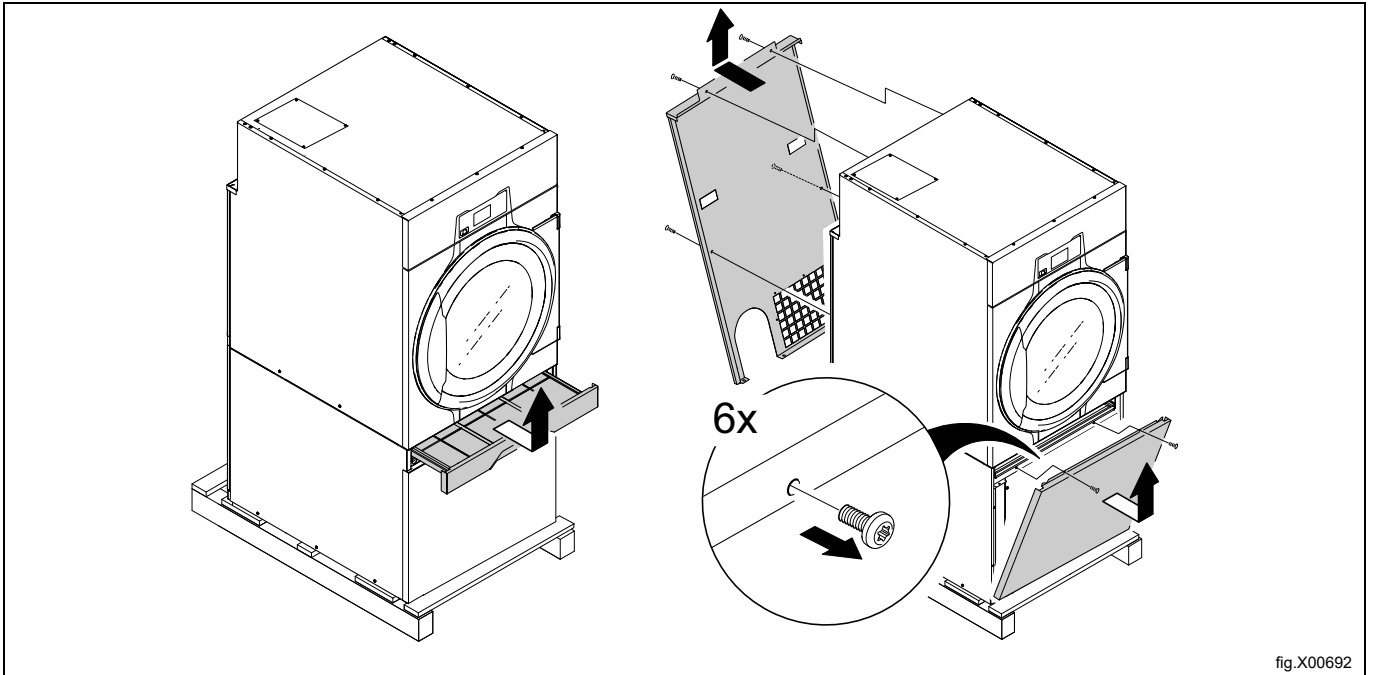


Note!

A minimum of two persons are required for the unpacking of the unit.

Remove the filter drawer and demount the lower front panel.

Demount the rear panel.

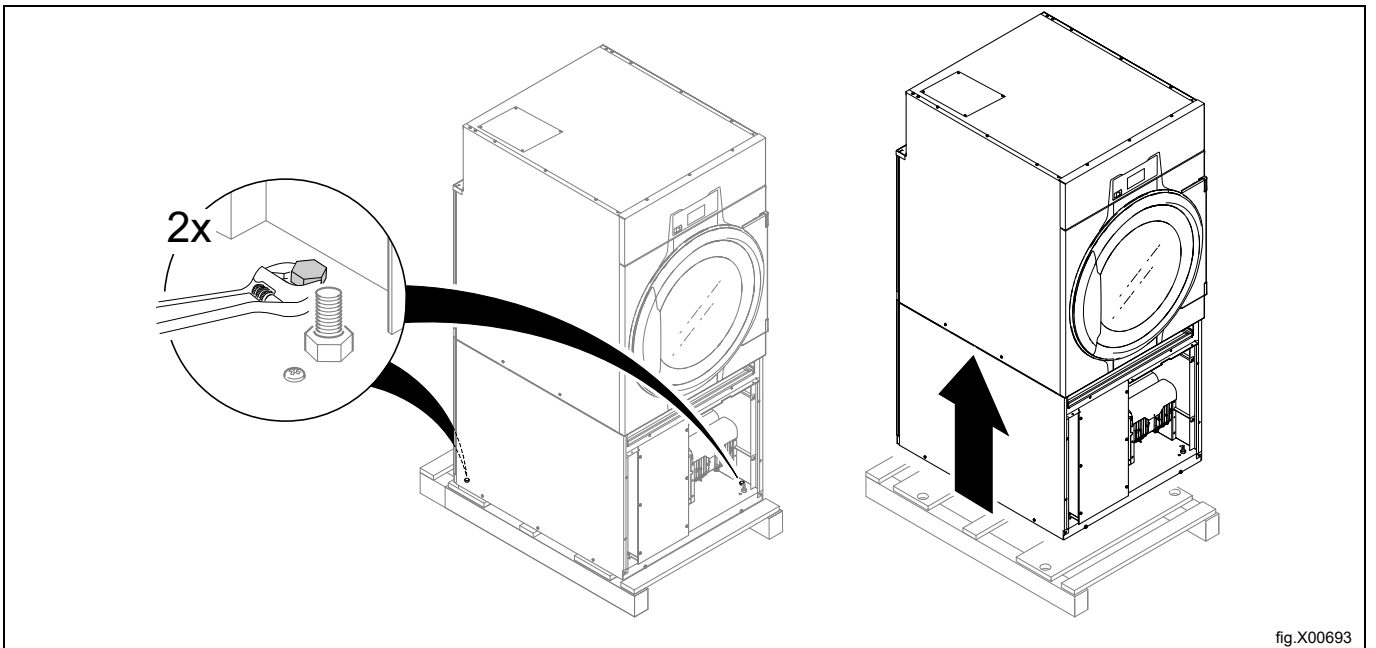


Remove the bolts between the machine and pallet.

Remove the machine from the pallet.

Note!

When moving the machine, handle it with care. The drum has no transport clamps.



Place the machine on its final position, rolling it on its wheels.

4.3 Recycling instruction for packaging

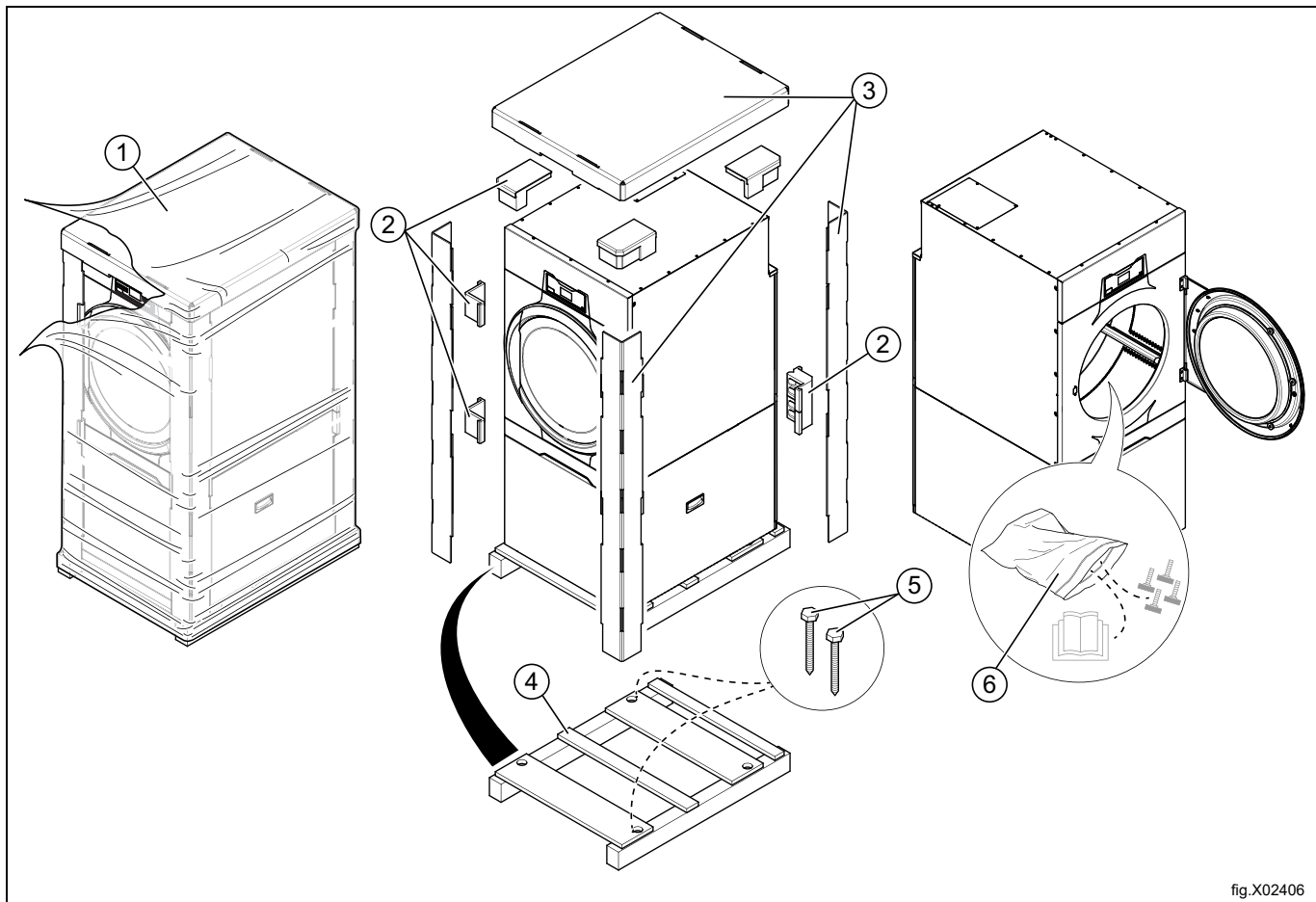


fig.X02406

| Fig. | Description | Code | Type |
|------|---------------------|--------|----------|
| 1 | Wrapping film | LDPE 4 | Plastics |
| 2 | Corner protection | PS 6 | Plastics |
| 3 | Cardboard packaging | PAP 20 | Paper |
| 4 | Pallet | FOR 50 | Wood |
| 5 | Screw | FE 40 | Steel |
| 6 | Plastic bag | PET 1 | Plastics |

4.4 Wheels

For ergonomic reasons the machine is equipped with wheels.
 The wheels make it easy to move the machine without lifting it.
 The wheels can only be used as long as the feet of the machine are not lowered.

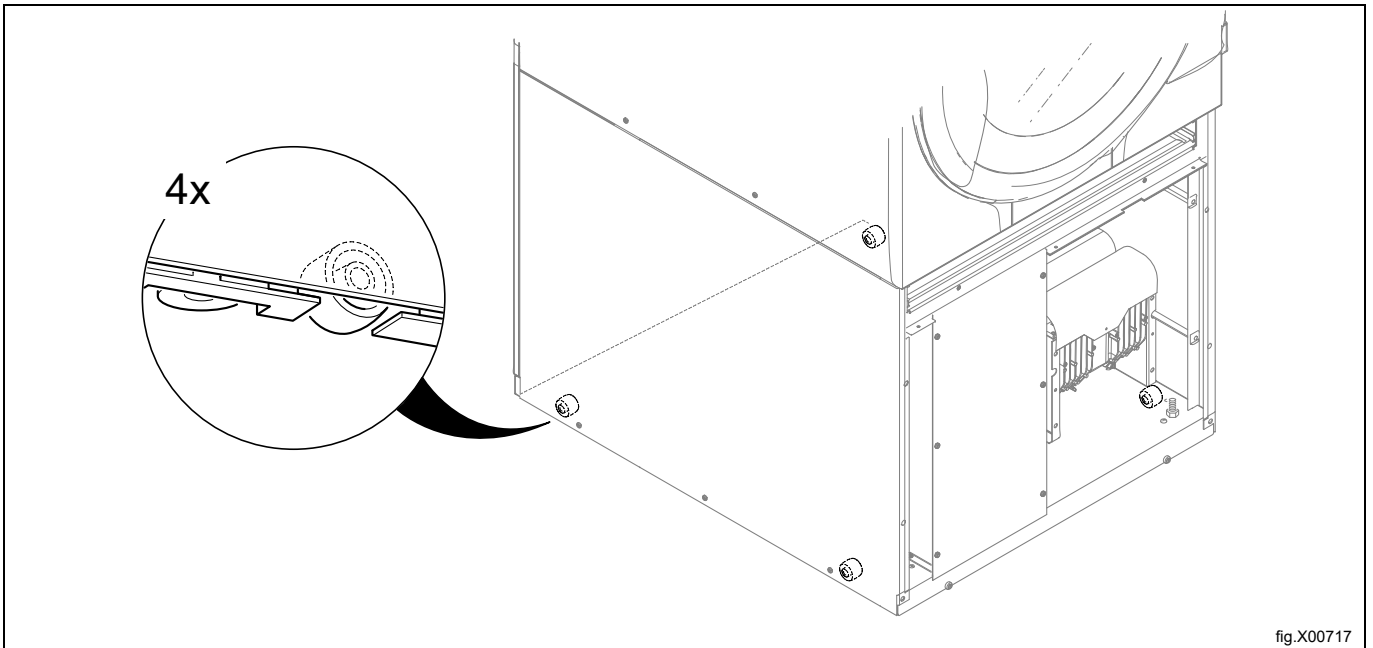


fig.X00717

4.5 Siting

The figure shows recommended distance to walls and/or other machines.

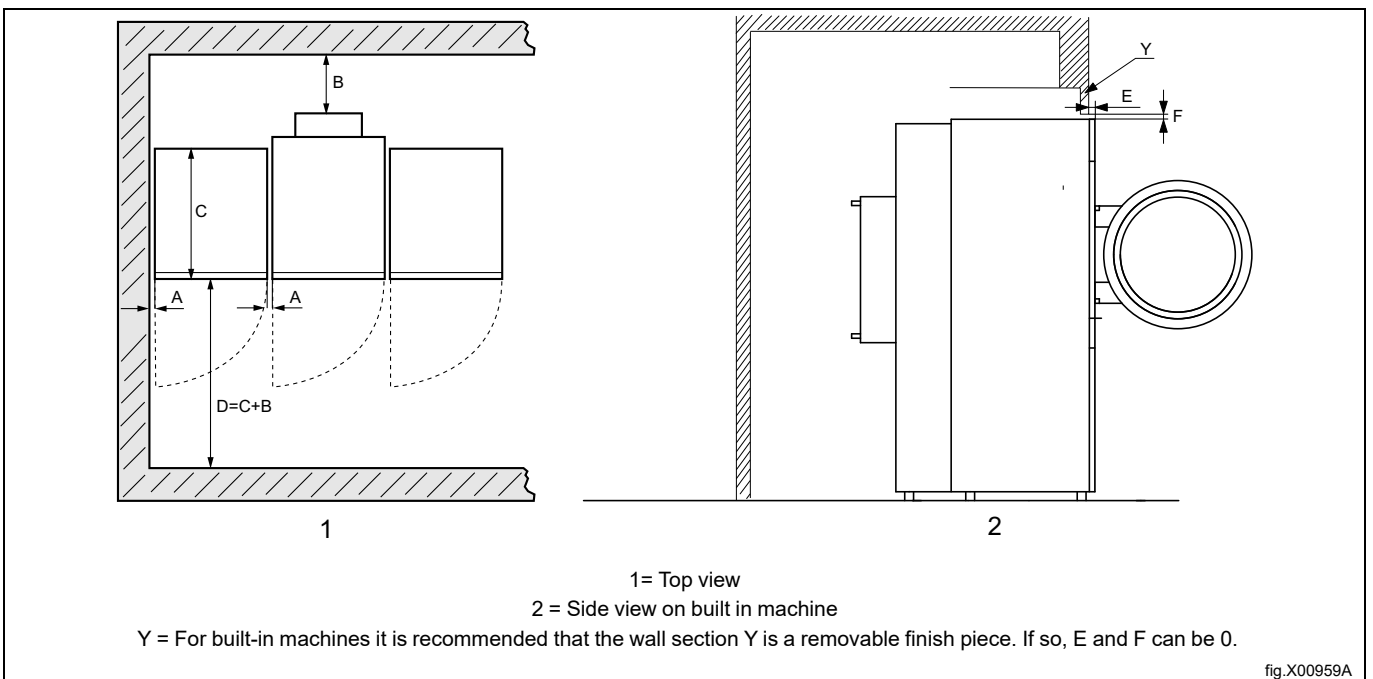


fig.X00959A

| | |
|---|--|
| A | 5–500 mm (Min. 5 mm) |
| B | 500 mm (Min. 200 mm) |
| C | Depth of machine |
| D | $D = C + B$ (Min. 1220 mm to be able to use the machine) |
| E | Min. 40 mm |
| F | Min. 25.4 mm (The overhead soffit may be used to close the gap above the machine. Min. required clearance: 0 mm) |

Note!

The machine should be positioned so that there will be enough space for working, both for the user and service personnel.

Respecting the given recommendations will provide easy access for maintenance and service operations.

In case of space limitations, it is possible to install machines without respecting to the given recommendations. If so, keep in mind that it might be necessary to disconnect and move other machines to be able to reach and perform service on affected machine.

4.6 Drain connection (only for machines with heat pump)

Connect the pipe (A) that is enclosed with the machine to the drain on the heat pump unit.

Connect a drain hose to the pipe (A).

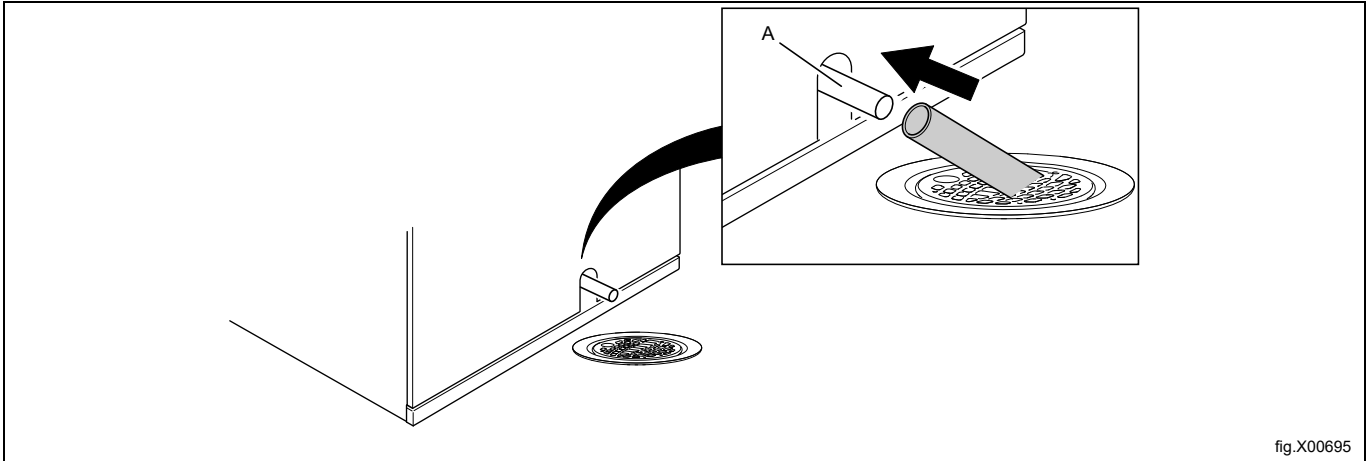


fig.X00695

Note!

The drain hose (A) must be positioned over the water level in the floor drain.

The drain must be lower than the drain outlet from the heat pump unit. If not the water will flow back into the machine. Adjust with the feet.

The hose shall hang in a gentle arc.

4.7 Mechanical installation

Level the machine with the feet of the machine. The maximum height adjustment of the feet is 15 mm.

Note!

It is important that the machine stand steady on all four feet and not directly on the wheels. The wheels must only be used when moving the machine.

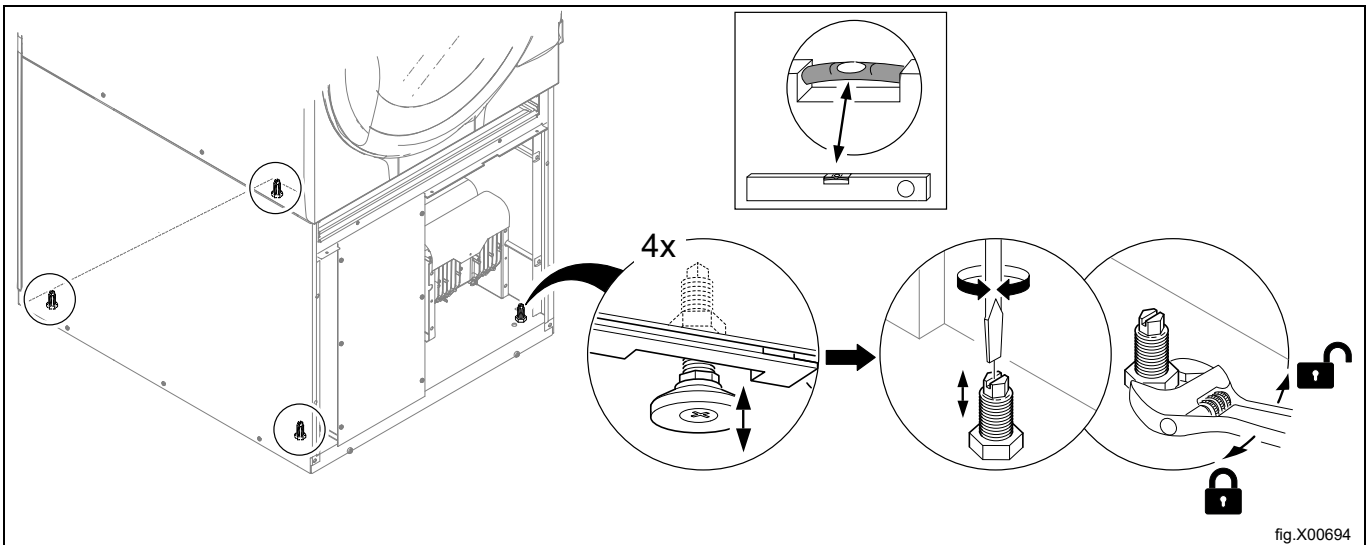


fig.X00694

Remount the panels.

5 Marine installation

To ensure steadiness of the machine it is important to fasten the machine to the foundation.

Fasten four fittings to the foundation using four x M10 set screws.

Note!

The four fittings are not supplied with the machine and must be ordered as kit No. 487193544.

Fasten the machine to the fittings.

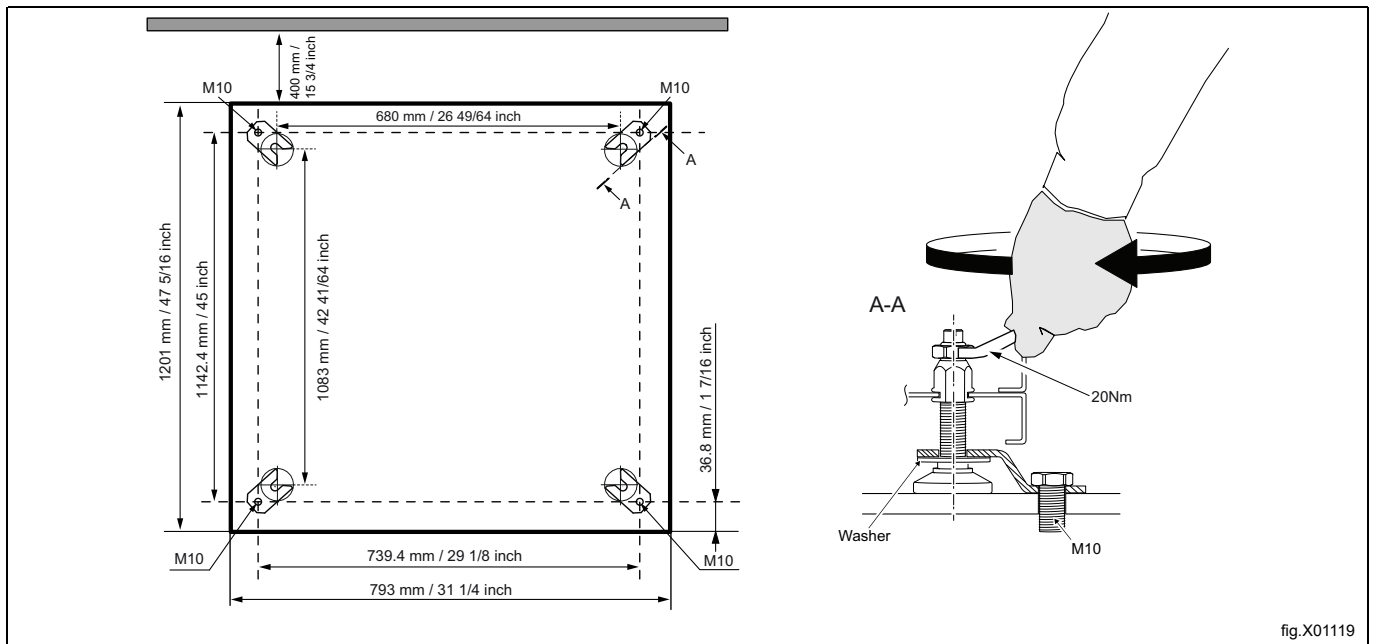


fig.X01119

Note!

Marine installation is not applicable for gas heated machines or machines with heat pump.

6 Evacuation system

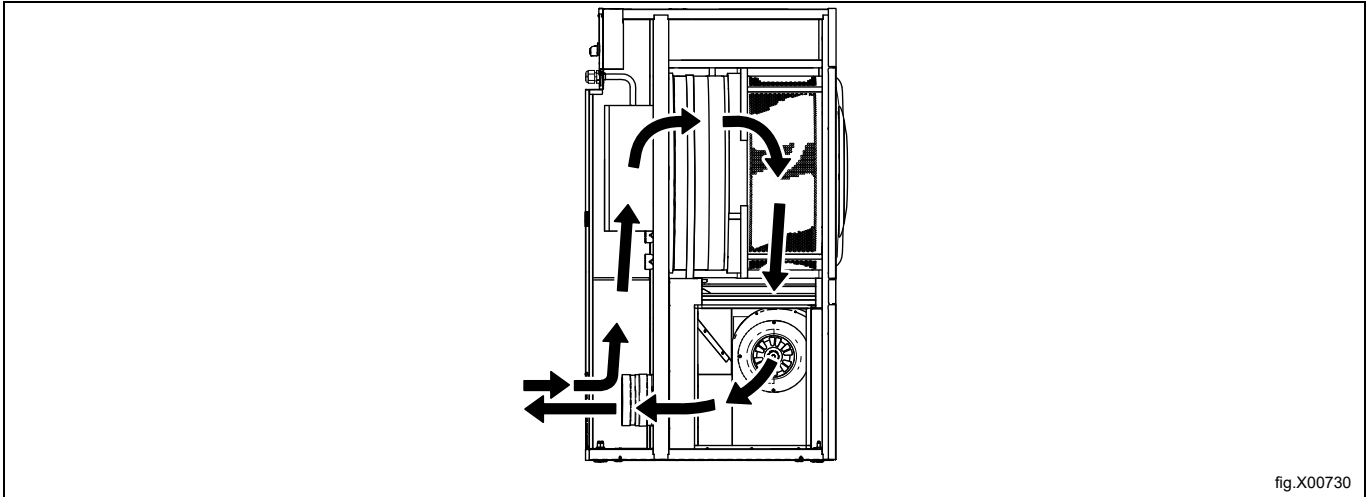
6.1 Air principle

Note!

It is very important that the machine gets enough fresh air in order to get the best drying result.

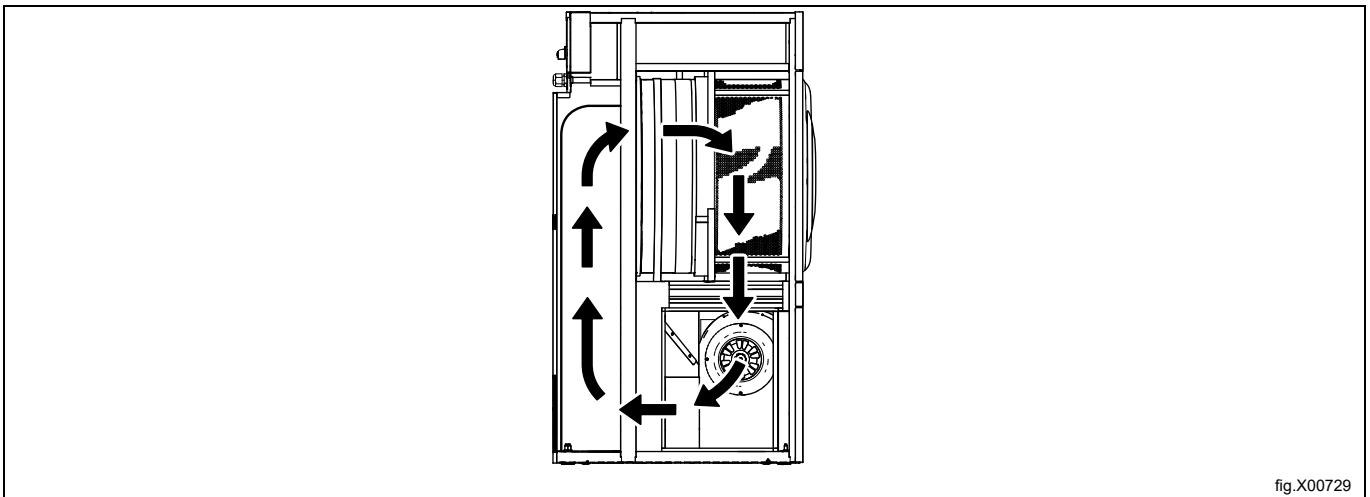
6.1.1 Electric-, Steam- and Gas heated machines

The fan creates low pressure in the machine, drawing air into the drum via the heating unit. The heated air passes through the garments and the drum holes and flows out through the filter positioned below the drum. The air is then evacuated through the fan and exhaust system.



6.1.2 Machines with heat pump

The fan creates air flow in the machine, drawing air into the drum via the heating unit. The heated air passes through the garments and the drum holes and flows out through the first filter drawer and continues through the second special filter just underneath. The special filter is necessary in machines with heat pump in order to protect the heat pump to get clogged by lint. When the air has passed the two filters it recirculates back into the drum.



Ventilating the room

When the machine is in operation, the room temperature increases. Due to this, the room must have sufficient ventilation.

All sources introducing heat into the same room requires to be considered when dimensioning the ventilation. Heat sources could for example be: more tumble dryers, drying cabinets, washers, ironers, radiators, etc. The combination of several sources for heat introduction leads to an increased need for ventilation flow. Other factors may also influence the needed ventilation flow, such as climate zone, building parameters, room size, etc. For assistance with dimensioning necessary ventilation needs, contact authorized ventilation technician.

6.2 Fresh air

For maximum efficiency and the shortest possible drying time, it is important to ensure that fresh air is able to enter the room from the outside in the same volume as that is blown out of the room.

To avoid draught in the room it is important to place the air inlet behind the machine.

Provisions for adequate air supply: The area of the air inlet opening should be five times the size of the exhaust pipe area. The area of the inlet opening is the area through which the air can flow without resistance from the grating/slatted cover.

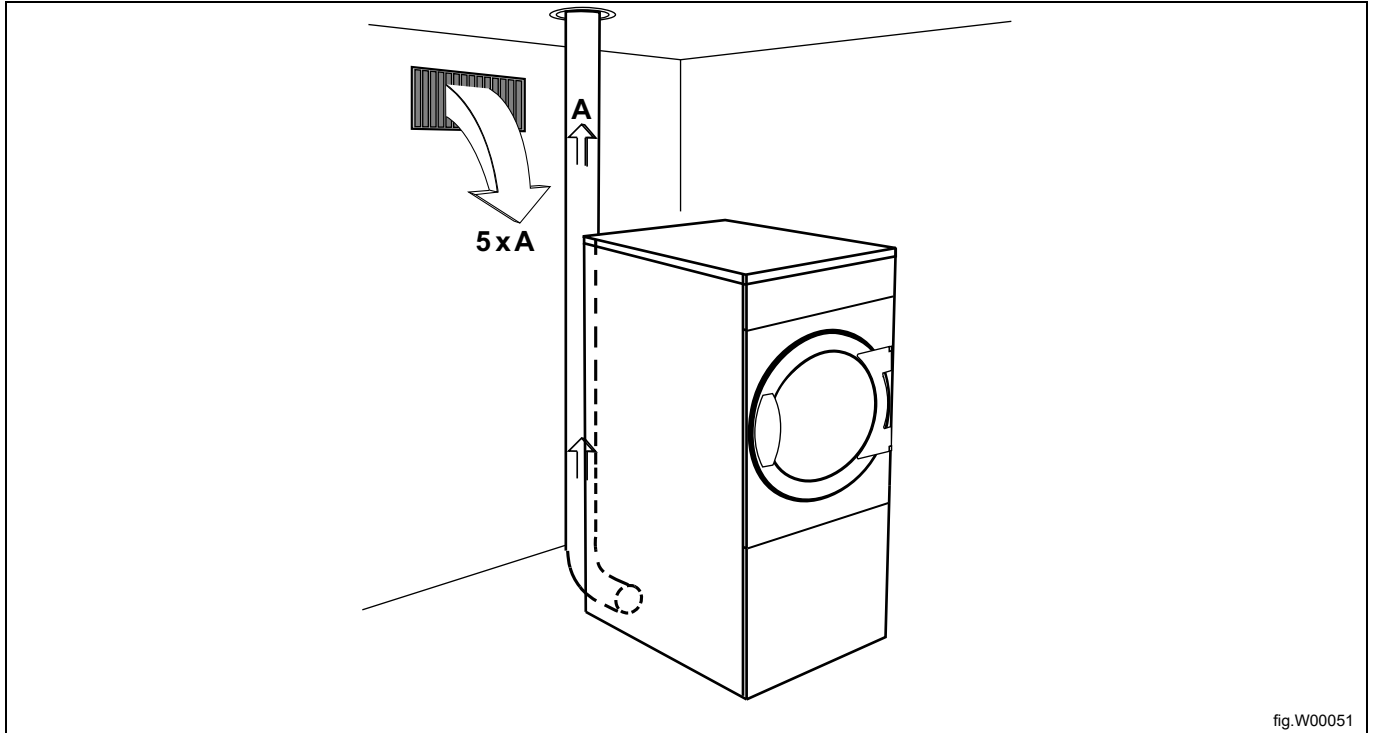


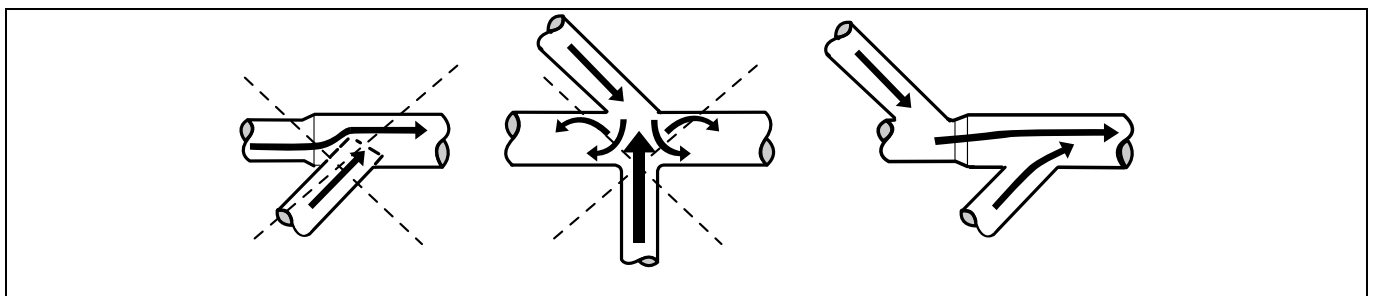
fig.W00051

Note!

Gratings/slatted covers often block half of the total fresh air vent area. Remember to take this into account.

6.3 Exhaust duct

- Only rigid or flexible metal duct should be used for exhausting.
- Plastic ducting is not to be used.
- Recommended material for exhaust is galvanized steel.
- The duct is not to be assembled with screws or other fastening means that extend into the duct and catch lint, instead use for example clamps and high temperature silicone.
- The exhaust air should not be vented into a wall, a ceiling, or a concealed space of building.
- The exhaust duct must lead clear of the building as condensation may cause frost damage to the building.
- The exhaust duct must lead to the outdoors.
- The exhaust duct must be placed in such a way that it is protected on the outside from for example impacts or water ingress.
- The exhaust duct must be smooth on the inside (low air resistance).
- The exhaust duct must have gentle bends.



6.4 Shared exhaust duct



It is recommended that each machine is connected to a separate exhaust duct.



When several machines shall use the same exhaust duct the exhaust duct must increase after each machine. The recommended diameter increase progression is the one in the table.

If several machines are installed on the same exhaust pipe, it is recommended to adjust the airflow on the machines when all machines are started and running a program with no heat. (Not valid for machines equipped with AFC (adaptive fan control)).

Please consider that unnecessarily large ducts create issues with the draught.

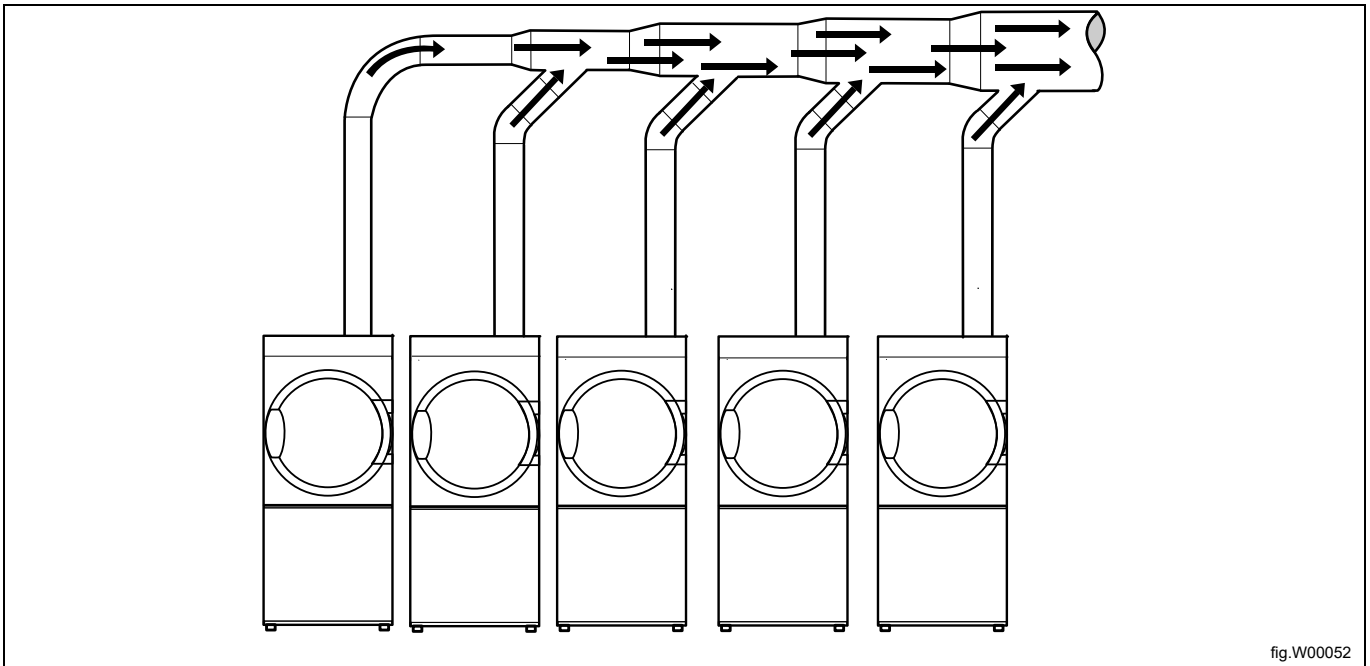


fig.W00052

| Number of machines | | 1 | 2 | 3 | 4 | 5 | 6 | 7 | 8 | 9 | 10 |
|--------------------------------------|----------------|-------|-------|-------|-------|-------|-------|-------|-------|-------|------|
| Exhaust duct | ∅ mm | 200 | 315 | 400 | 400 | 500 | 500 | 630 | 630 | 630 | 800 |
| Recommended area of fresh air intake | m ² | 0.16 | 0.39 | 0.63 | 0.63 | 0.98 | 0.98 | 1.56 | 1.56 | 1.56 | 2.51 |
| Minimum area of fresh air intake | m ² | 0.117 | 0.234 | 0.351 | 0.468 | 0.585 | 0.702 | 0.819 | 0.936 | 1.053 | 1.17 |



The exhaust duct diameter must not be reduced.



6.5 Exhaust dimensioning

It is important that the machine has correct air volume compared to each machines power.

If the air flow is smaller or larger this will result in a longer drying period or will lower the performance of the machine.

If the outlet pipe is long or the ventilation is not properly designed it is recommended to clean the outlet pipes periodically. Usually, longer ducts need more frequent cleaning. If the outlet pipe has too high back pressure it is recommended to install an exhaust fan.

The exhaust pipes shall be short in order for the machine to work in the best way.

All cover panels must be mounted in order for the machine to work in the best way.

The exhaust duct must be designed so the static back pressure measured in the hole for the NTC-sensor does not exceed the maximum allowable back pressure specified in "Technical data".

6.6 Adjusting the air flow (not valid for tumble dryers with heat pump)



Adjusting the air flow may only be carried out by authorized personnel.

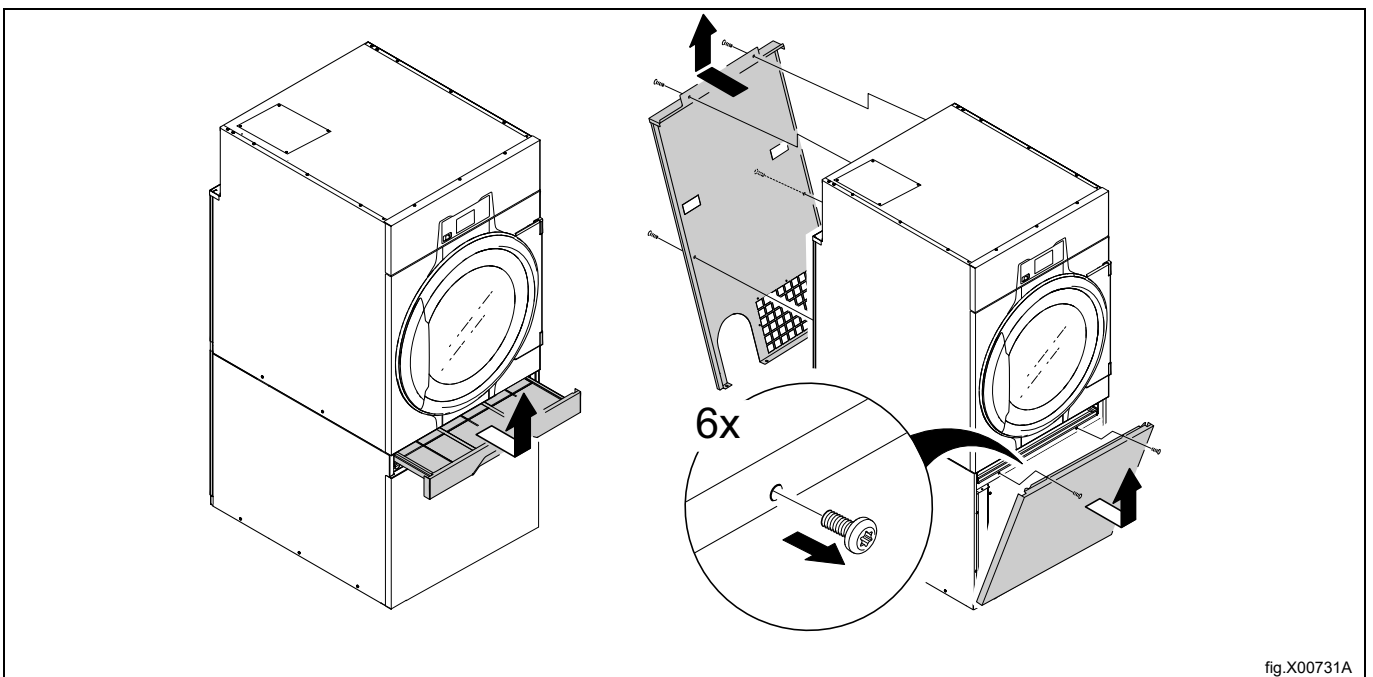


It is important that the machine has the correct air flow compared to each machine's heat input. If the air flow is below the minimum, the machine will be forced to switch the heating off which will result in longer drying time.

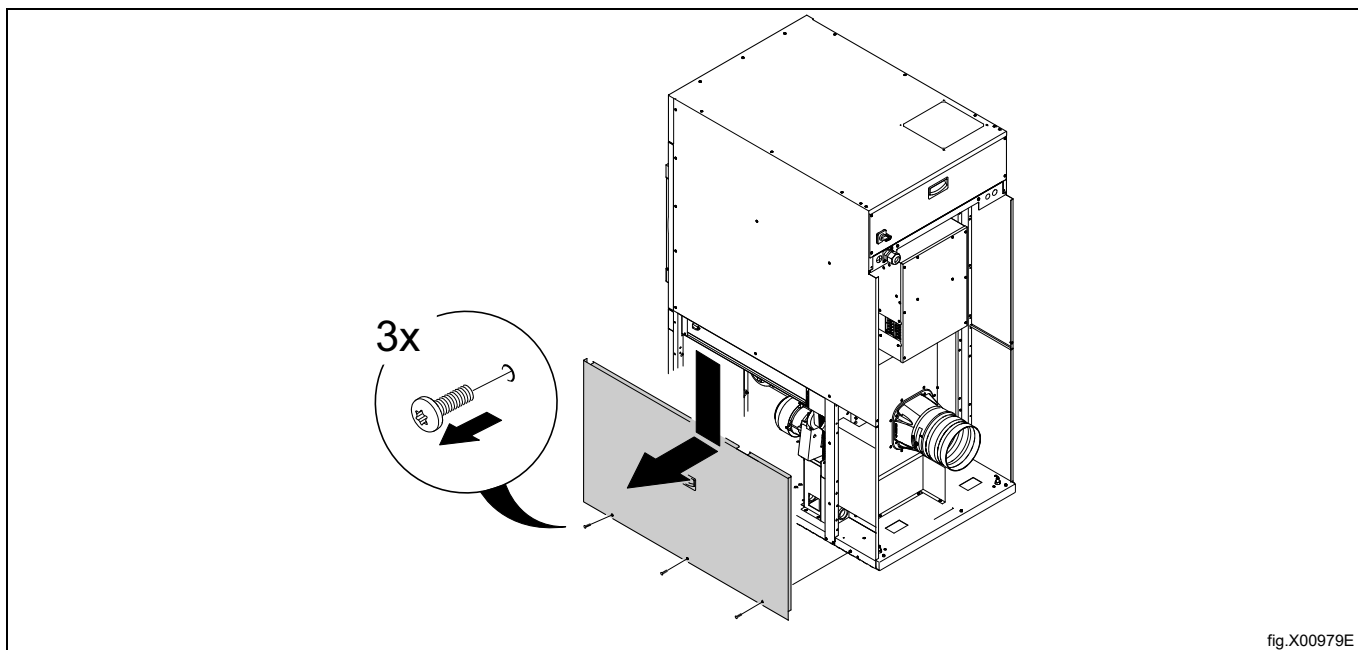
An air flow above needed is unnecessary and can result in a cold laundry room and noise from the piping and outlet. In extreme cases this can result in longer drying time.

The machine is pre-set for an optimal air flow with up to 15 m equivalent pipe length. (For default settings from factory, check the label attached on the damper.) For piping systems which deviate from pre-set pipe length it is necessary to adjust the machine according to the following instructions.

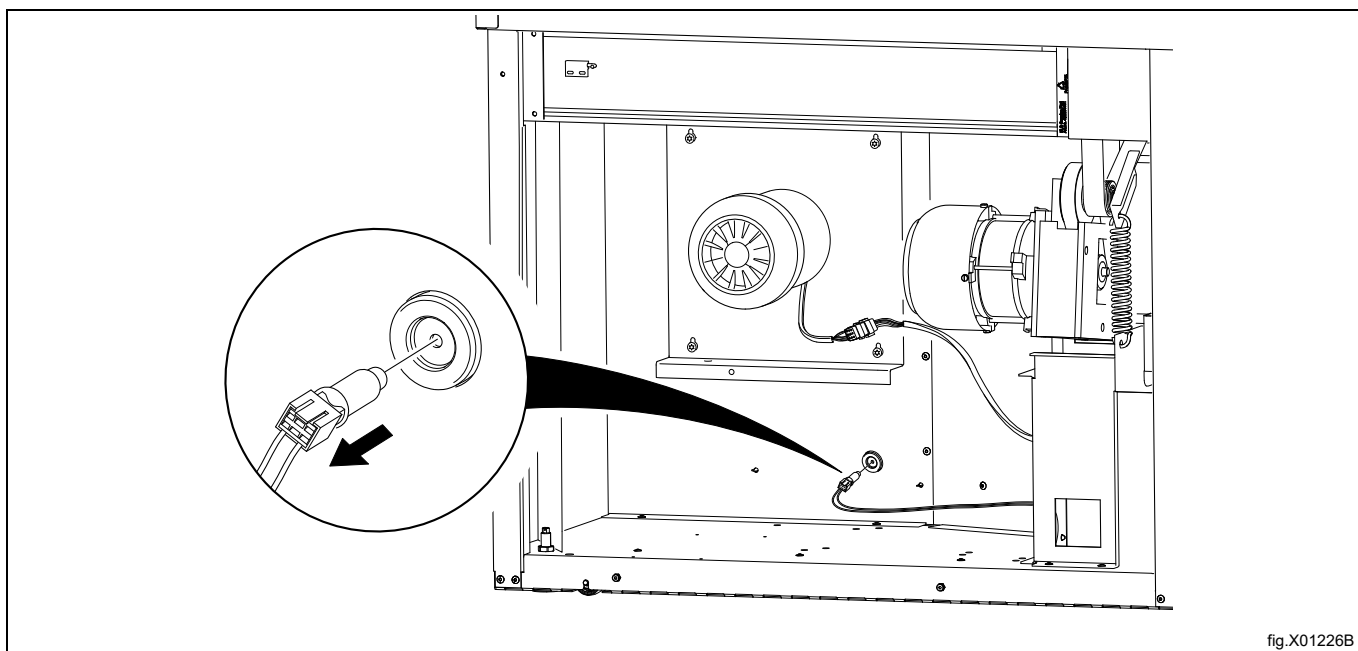
- Remove the filter drawer and demount the front panel.
- Demount the rear panel.



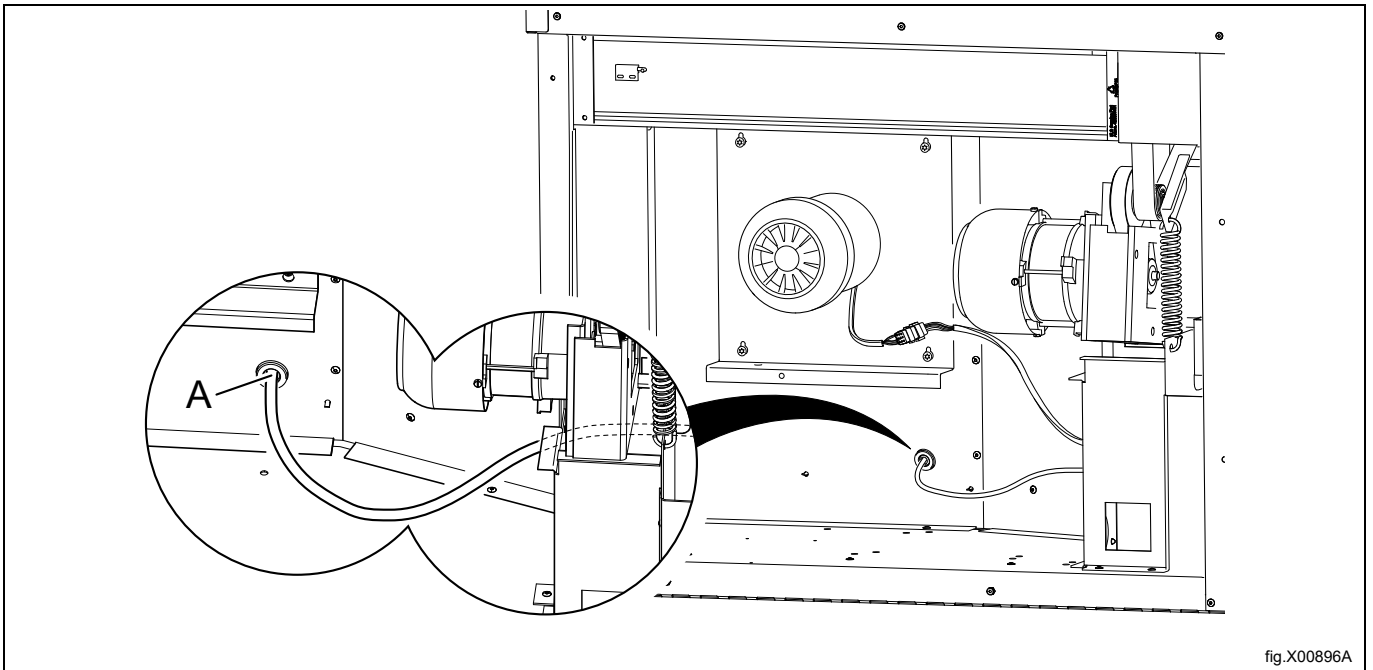
- Demount the lower side panel.



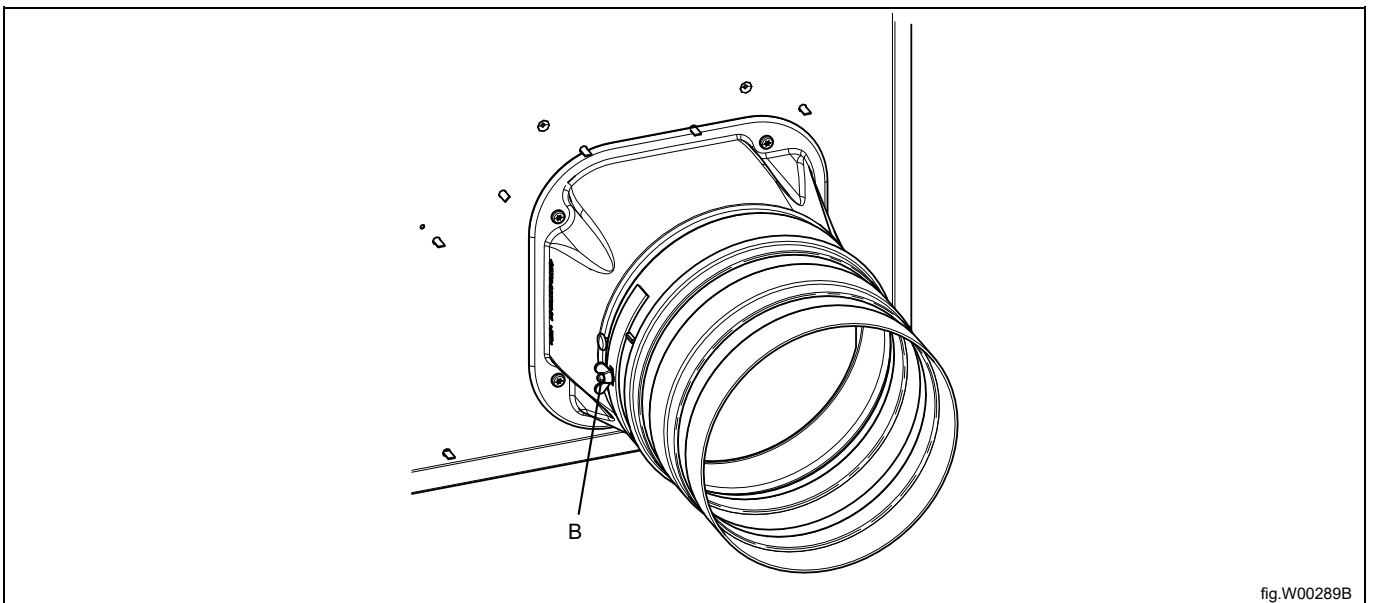
- Disconnect the NTC-sensor.



Insert the measuring instrument (manometer) in the hole (A). Make sure the connection is tight to prevent air leakage. Run the tube out on the back of the machine through the gap to the right of the drum motor.



- Loosen the wing nut on the damper (B).
- Measure when the machine is running with a program without heat and with an empty drum.
- By opening and closing the damper (B) the pressure in the hole (A) is either lowered or raised, thus the flow is raised or lowered.



The optimum drying performances are achieved when the measured static back pressure correspond to the value listed in the following table.

| Heating | Effect | Hz | Optimum static back pressure — measured at position A (Pa) in a cold empty machine | Resulting: Nominal air flow in a cold empty machine (m ³ /h) |
|----------|---------|----|--|---|
| Electric | 13.5 kW | 50 | 690 | 470 |
| Electric | 13.5 kW | 60 | 890 | 470 |
| Electric | 18.0 kW | 50 | 580 | 580 |
| Electric | 18.0 kW | 60 | 885 | 580 |
| Gas | 21.0 kW | 50 | 570 | 690 |
| Gas | 21.0 kW | 60 | 900 | 670 |
| Steam | 25.0 kW | 50 | 570 | 690 |
| Steam | 25.0 kW | 60 | 900 | 670 |

Diagram with pressure drop curve

The grey area (A) illustrates the optimal working area.

| | |
|---|------------------------------------|
| A | Working area |
| B | Optimum airflow cold empty machine |
| C | Static back pressure, Pa |
| D | Air flow m ³ /h |

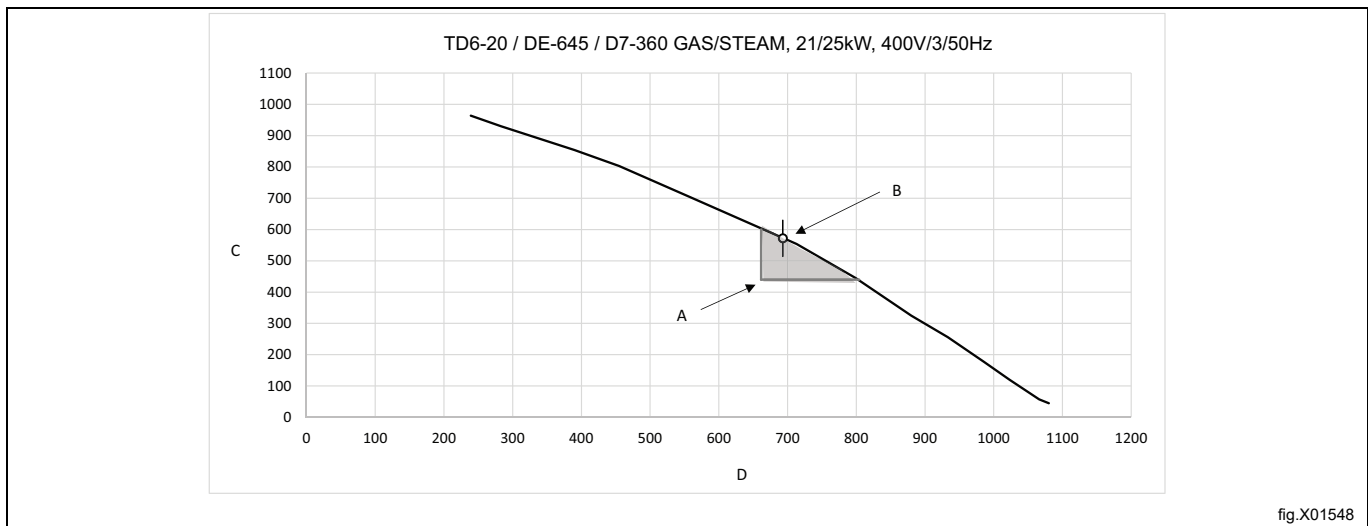


fig.X01548

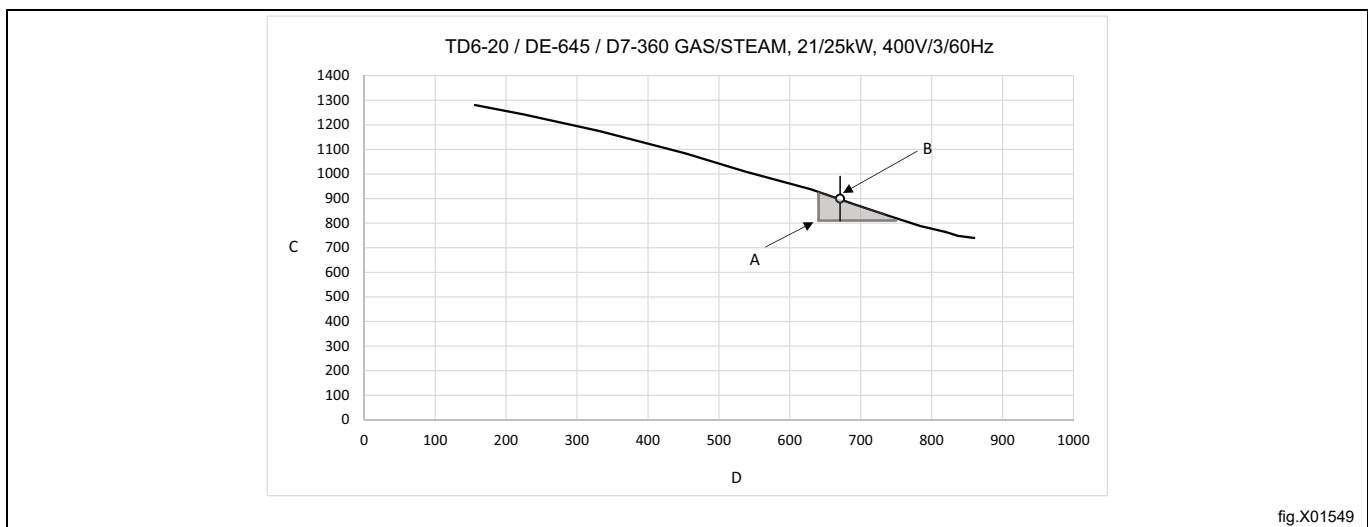


fig.X01549

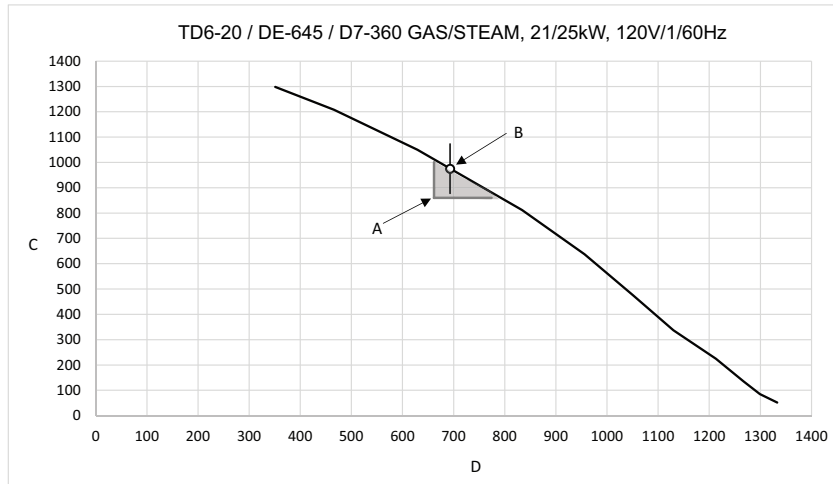


fig.X01550

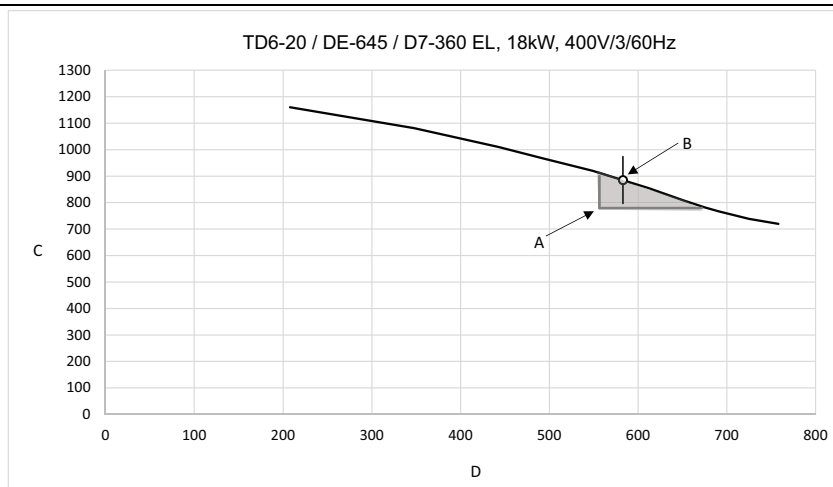


fig.X01551

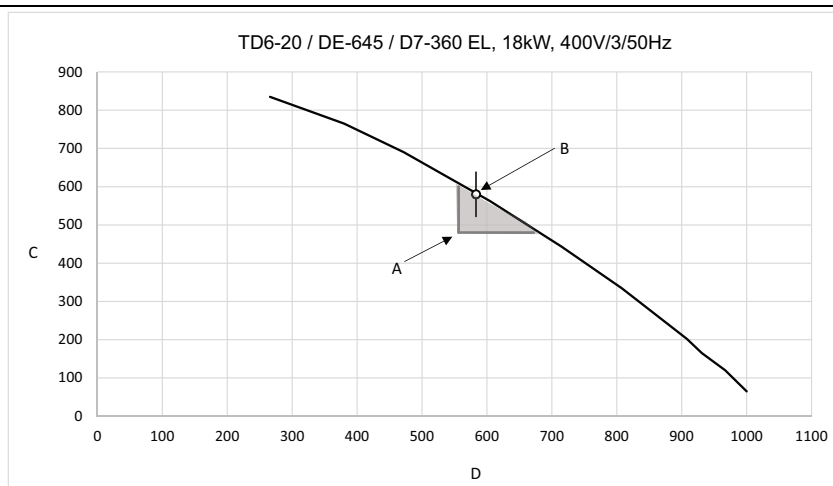


fig.X01552

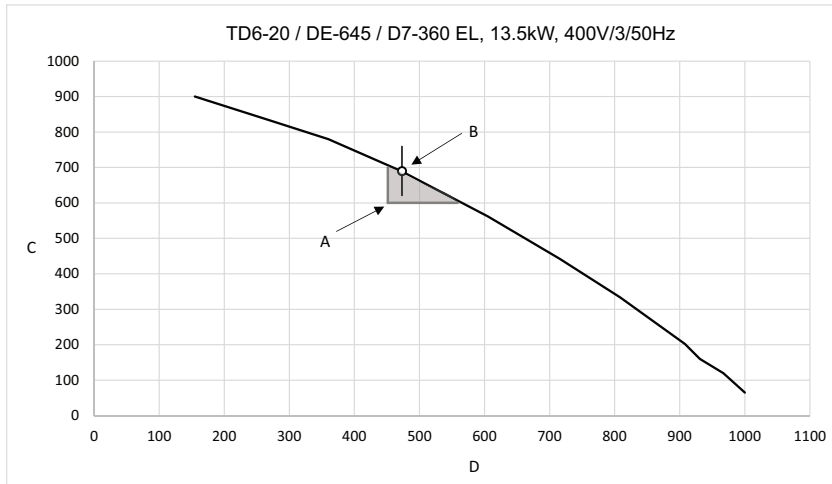


fig.X01553

Alternative measuring method



Adjusting the air flow may only be carried out by authorized personnel.

Use a home made U tube manometer, a hose (max. outer \varnothing 10 mm and min. outer \varnothing 5 mm), with water. Insert one end of the hose in the hole (A) (after the NTC-sensor has been removed), hold the hose according to the picture so that the water is in level.

Start the machine and measure the difference between the water in one of the hose ends with the other.

1 mm = 10 Pa.

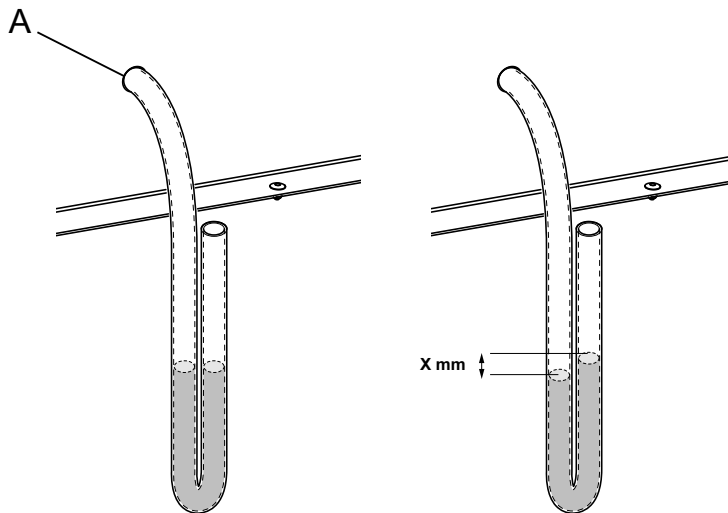


fig.7528B

Note!

When the air flow is adjusted remount the NTC-sensor in the hole (A) and lock the damper (B) in the new position with the wing nut.

Remount the front panel and insert the filter drawer.

7 Electrical connection

7.1 Electrical installation



The electrical installation may only be carried out by qualified personnel.



Machines with frequency-controlled motors can be incompatible with certain types of earth leakage circuit breaker. It is important to know that the machines are designed to provide a high level of personal safety, which is why items of external equipment such as earth leakage circuit breakers are not necessary but is recommended. If you still want to connect your machine across an earth leakage circuit breaker, please remember the following:

- contact a skilled, authorised installation company to ensure that the appropriate type of breaker is chosen and that the dimensioning is correct
- for maximum reliability, connect only one machine per earth leakage circuit breaker
- it is important that the earth wire is properly connected.



In instances where the machine is not equipped with an omni-polar switch, one must be installed beforehand.

In accordance with the wiring rules: mount a multi-pole switch prior to the machine to facilitate installation and service operations.

The connecting cable shall hang in a gentle curve.

For AU/NZ: Fixed wiring is in accordance with AS/NZS 3000.

7.2 Machine connection with ferrite

7.2.1 Machines with AFC or DSC

To obtain approved level of EMC, it is mandatory to use the ferrite which is enclosed with machines equipped with AFC (adaptive fan control) or DSC (drum speed control). (Note that this is only valid for those machines).

Before connecting to the machine, the protective earth (PE) wire shall be wrapped around the ferrite.

Prepare the power cord by making sure the protective earth (PE) wire is longer than the other wires according to the table.

| Wire size | L | x times through |
|------------------------------|--------|-----------------|
| AWG14 or 2,5 mm ² | 280 mm | x 5 |
| AWG12 or 4 mm ² | 280 mm | x 5 |
| AWG10 or 6 mm ² | 300 mm | x 5 |
| AWG8 or 10 mm ² | 330 mm | x 5 |
| AWG6 or 16 mm ² | 400 mm | x 5 |
| AWG4 or 25 mm ² | 490 mm | x 5 |

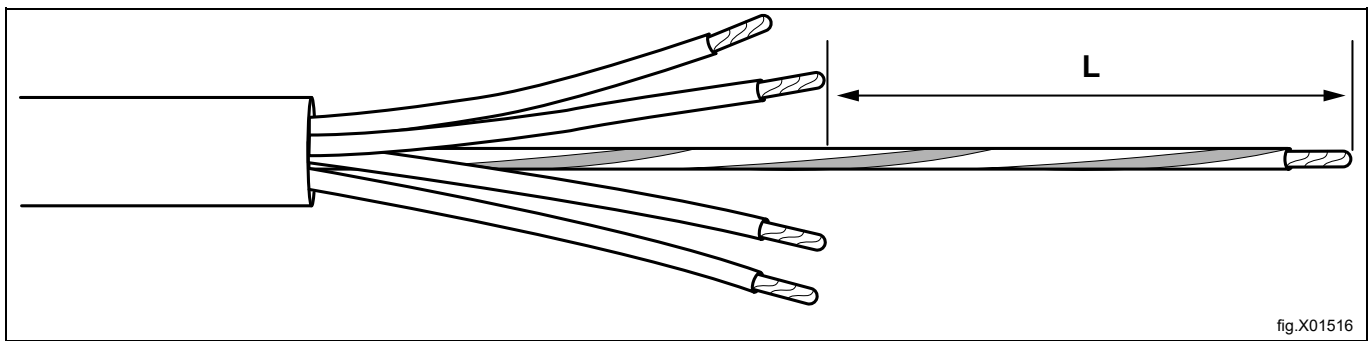


fig.X01516

When the power cord has been prepared according to the table, wrap the protective earth (PE) wire through the ferrite and then connect all wires according to the following connection options.

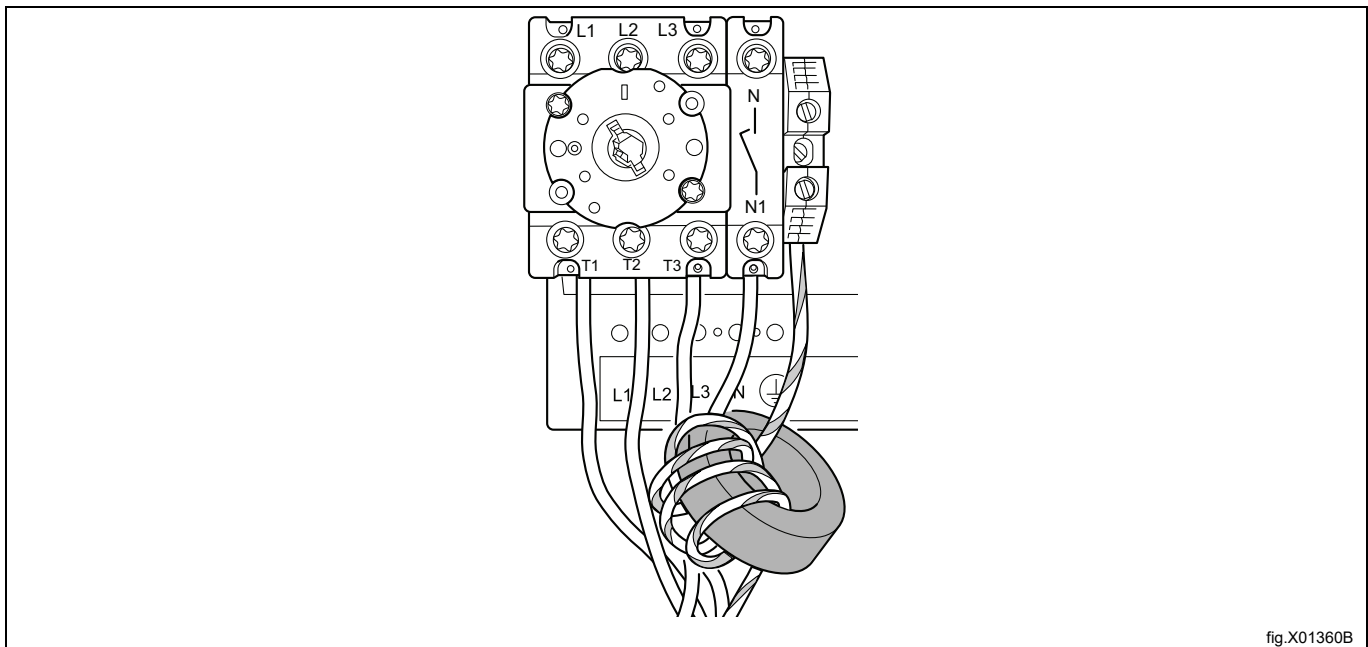
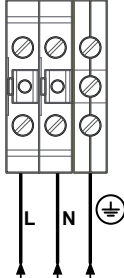
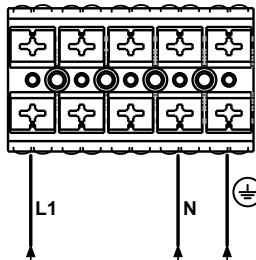
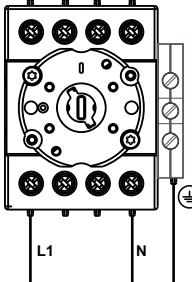


fig.X01360B

7.3 Single-phase connection

Demount the cover panel from the supply unit. Connect the earth and other wires as shown.

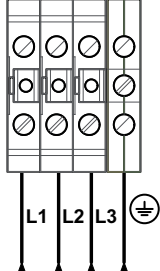
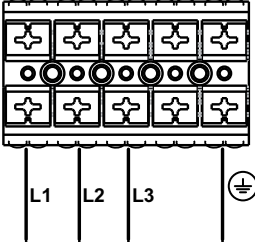
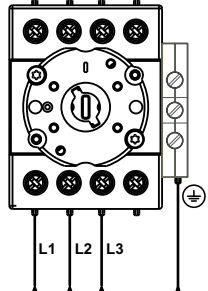
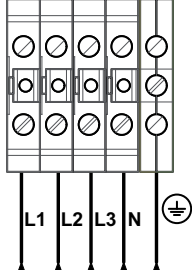
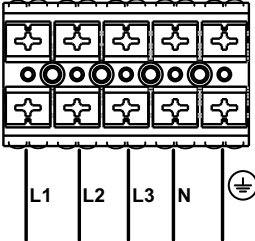
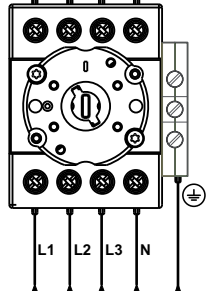
| | |
|------|--|
| 1NAC |  <p>A terminal block with three columns of terminals. The left column has two terminals, the middle has two, and the right has two. Below the terminals, three wires are shown: 'L' (left), 'N' (middle), and a ground symbol (right).</p> |
| 1NAC |  <p>A terminal strip with two rows of terminals. The top row has five terminals, and the bottom row has five. Below the strip, three wires are shown: 'L1' (left), 'N' (middle), and a ground symbol (right).</p> |
| 1NAC |  <p>A terminal panel with a central circular area and several screw terminals. Below the panel, three wires are shown: 'L1' (left), 'N' (middle), and a ground symbol (right).</p> |

When the installation is completed remount the cover panel and check:

- That the drum is empty.
- That the machine operates by connecting the power to the machine and start a program with heat.

7.4 Three-phase connection

Demount the cover panel from the supply unit. Connect the earth and other wires as shown.

| | |
|------|--|
| 3AC |  |
| 3AC |  |
| 3AC |  |
| 3NAC |  |
| 3NAC |  |
| 3NAC |  |

When the installation is completed remount the cover panel and check:

- That the drum is empty.
- That the machine operates by connecting the power to the machine and start a program with heat.

7.5 Electrical connections

| Electrical connections | | | | | |
|--------------------------------|---------------------|-------|------------------|----------------|--------------------|
| Heating alternative | Main voltage | Hz | Heating power kW | Total power kW | Recommended fuse A |
| Electric heated machines | 220-240V 3~ | 50/60 | 13.5/18.0 | 14.5/19.0 | 50/50 |
| | 380-415V 3N/3~ | 50/60 | 13.5/18.0 | 14.5/19.0 | 25/32 |
| | 440V 3~ | 60 | 13.5/18.0 | 14.5/19.0 | 20/32 |
| | 480V 3~ | 60 | 13.5/18.0 | 14.5/19.0 | 25/32 |
| Gas- and Steam heated machines | 220-480V 1/1N/3/3N~ | 50/60 | 1 | 1.0 | 10 |

1. Total power and recommended fuse does not depend on the heating power in those cases.

| Electrical connections | | | | | |
|---|----------------|-------|---|-----|----|
| Machines with heat pump | 220-240V 1/1N~ | 50/60 | 1 | 5.5 | 25 |
| | 380-480V 3N/3~ | 50/60 | 1 | 6.2 | 10 |
| Machines with heat pump with DSC (Drum Speed Control) | 380-415V 3N/3~ | 50/60 | 1 | 6.5 | 13 |

1. Total power and recommended fuse does not depend on the heating power in those cases.

7.6 Functions for I/O-cards

The electrical schematic can be one of the following:

7.6.1 Central payment (2J)

To start the machine from a central payment system, the payment system must transmit a start pulse 300–3000 ms (500 ms is recommended) with a minimum pause of 300 ms (500 ms is recommended) between two pulses. The start pulse can be either 230V or 24V. In order to receive a feedback signal once the machine has started, 230V or 24V must be connected to connection 19. The feedback signal on connection 18 remains active (high) during the entire program.

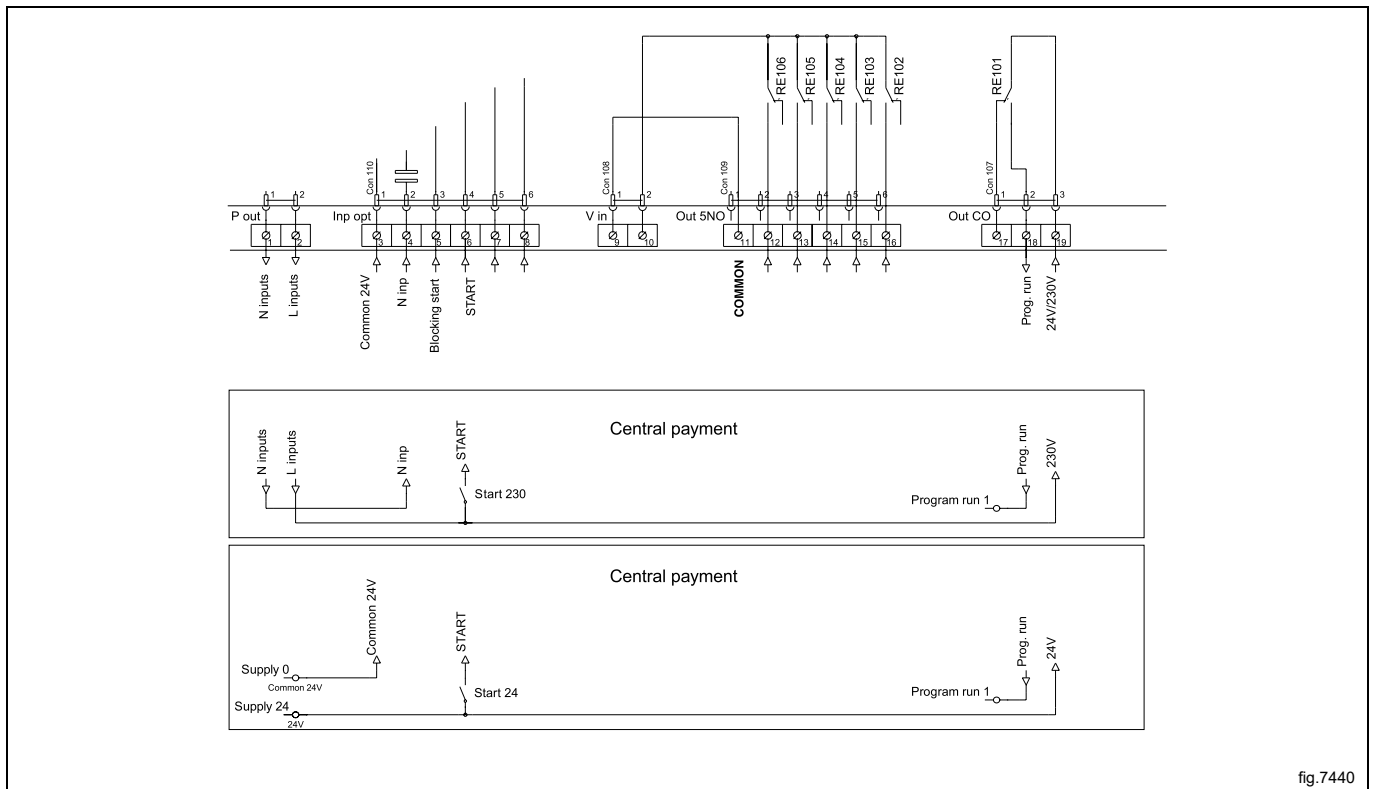


fig.7440

7.6.2 Central payment (2J)

The central payment or booking system shall transmit an active (high) signal to the machine once permission has been granted to start the machine. The signal must remain active (high) during drying. When the signal gets inactive (low) the machine will abort ongoing program and enter cooling. The signal can be either 230V or 24V. In order to receive a feedback signal once the machine has started, 230V or 24V must be connected to connection 19. The feedback signal remains active (high) during the entire program.

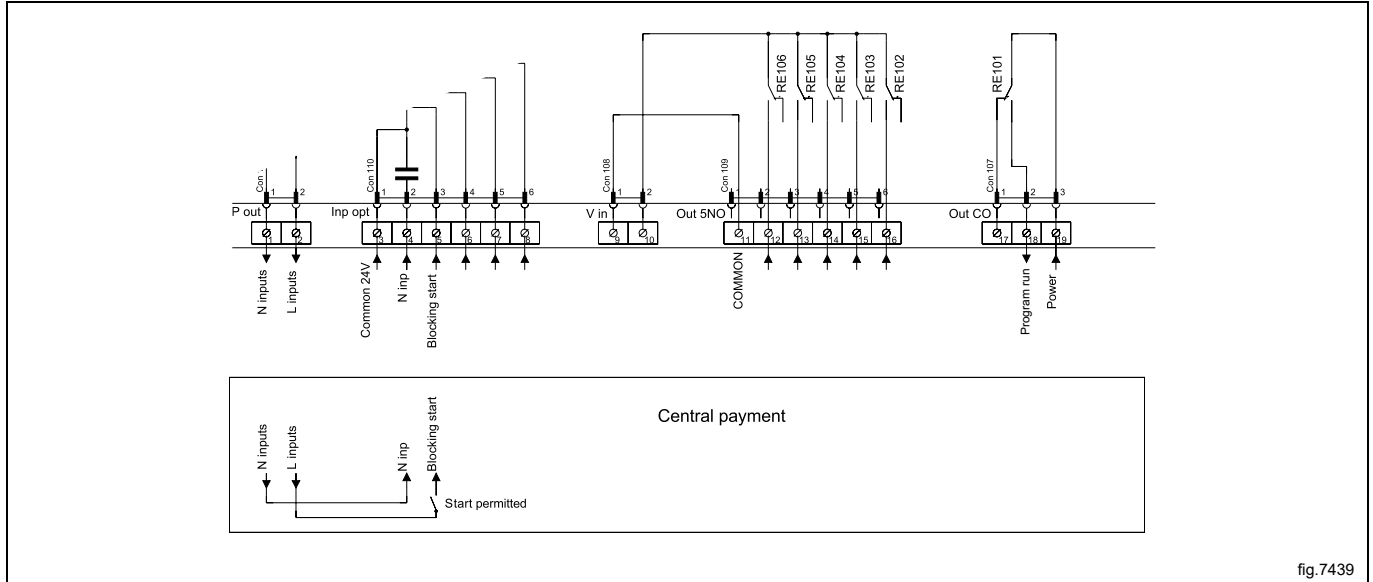


fig.7439

7.6.3 External coin meter/Central payment (2K)

The signal received from external coin meters must be a pulse between 300–3000 ms (500 ms is recommended) with a minimum pause of 300 ms (500 ms is recommended) between two pulses.

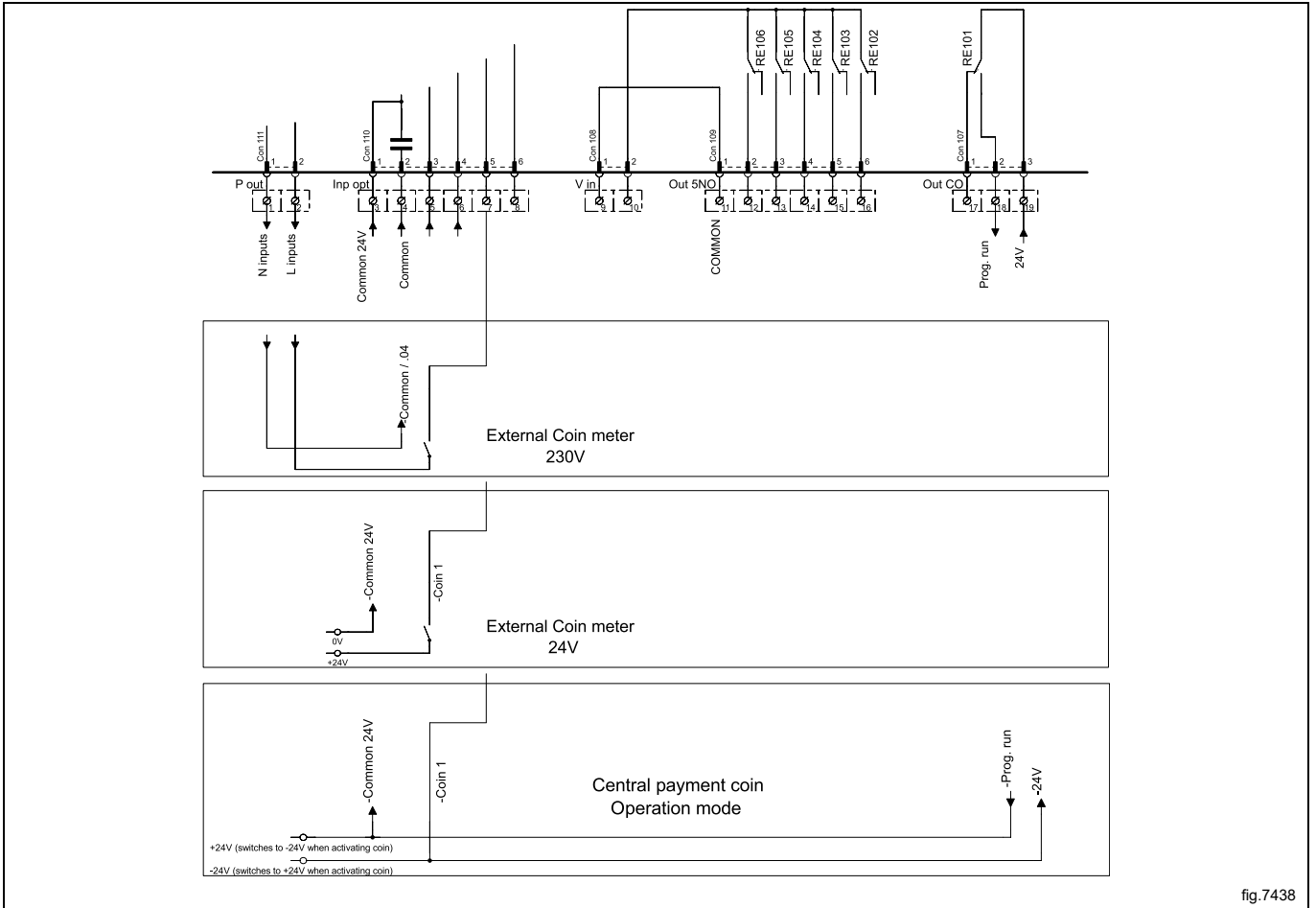


fig.7438

7.6.4 Price reduction (2K)

By maintaining an activated (high) signal on connection 5 ("Price red"), the price of the program can be reduced. This function has a number of uses, including providing reductions during a specific period of the day. Whilst the signal remains active (high), the price of the program is reduced (or the time is increased on time programs), by the percentage entered in the price programming menu.

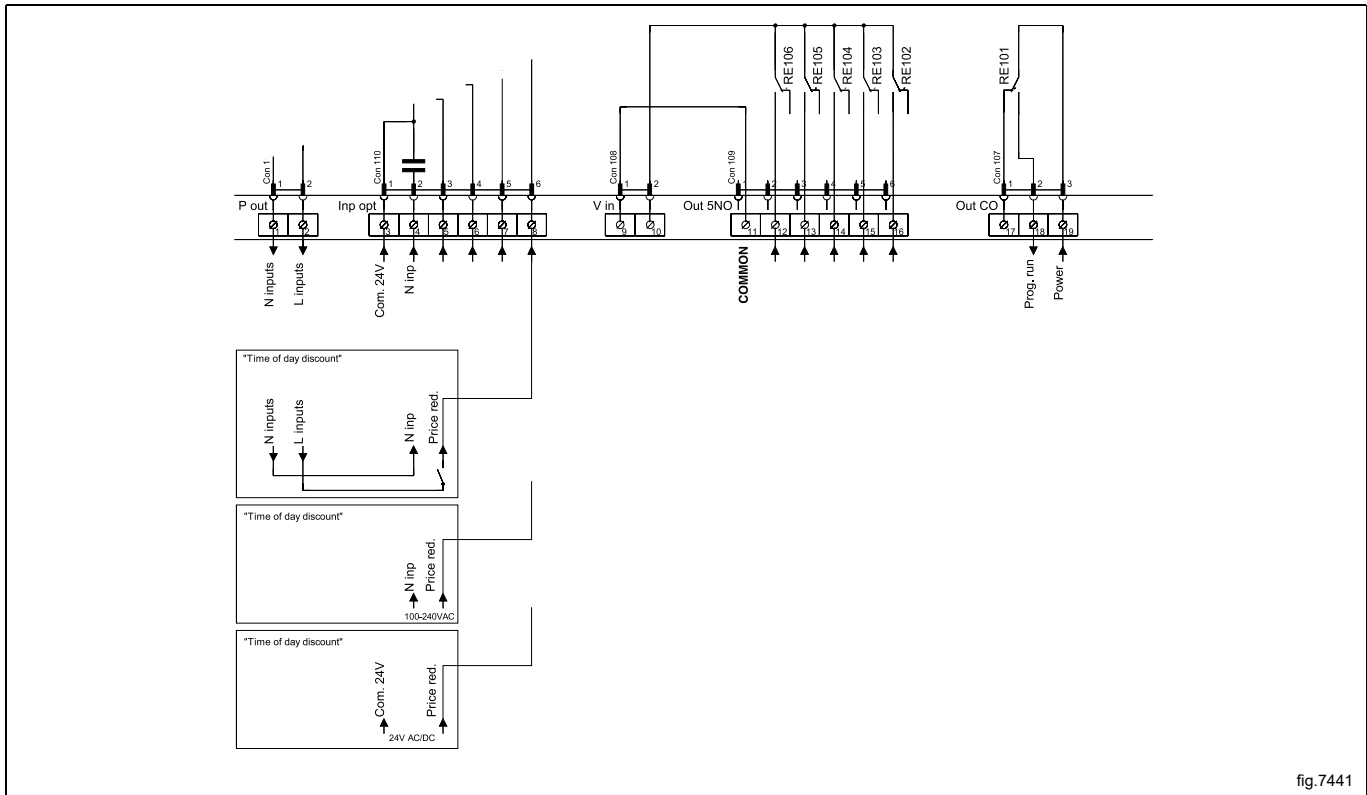


fig.7441

7.7 Option

7.7.1 External connection 100 mA

A special connection terminal is located on the connection console.

This connection can be used as external control of a fan.

The terminal for external control is equipped with 220–240V max. 100 mA and is intended solely for the operation of a contactor.

Max. connection 100 mA.

Gnd. must not be used for earthing of external board.

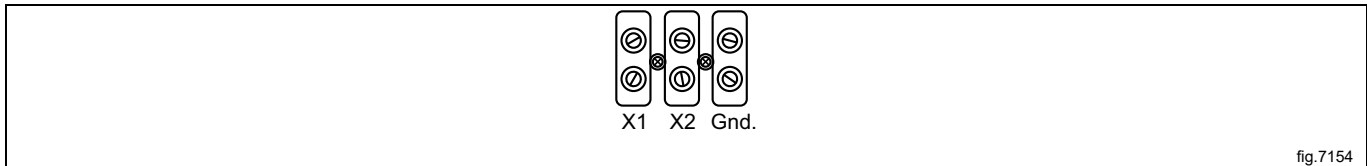


fig.7154

7.7.2 External connection 1.25 A

If the machine, from factory, is equipped with an external control with a max. 230V/1.25A connection this connection can be used as connection of an external fan.

Mount cable for external connection on contactor K7 in K7-2 and K7-4. Connect earth conductor to earth terminal in terminal for external connection.

Max. connection 1.25A.

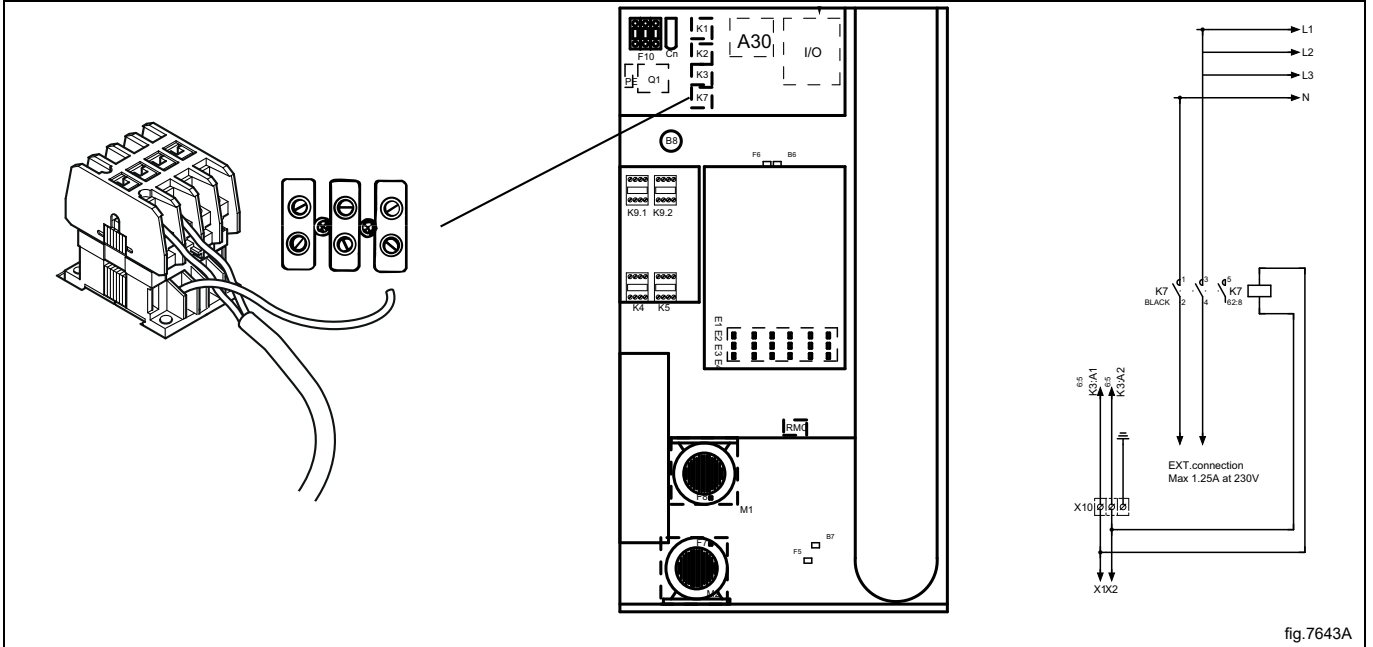


fig.7643A

8 Steam connection

8.1 Connecting the steam

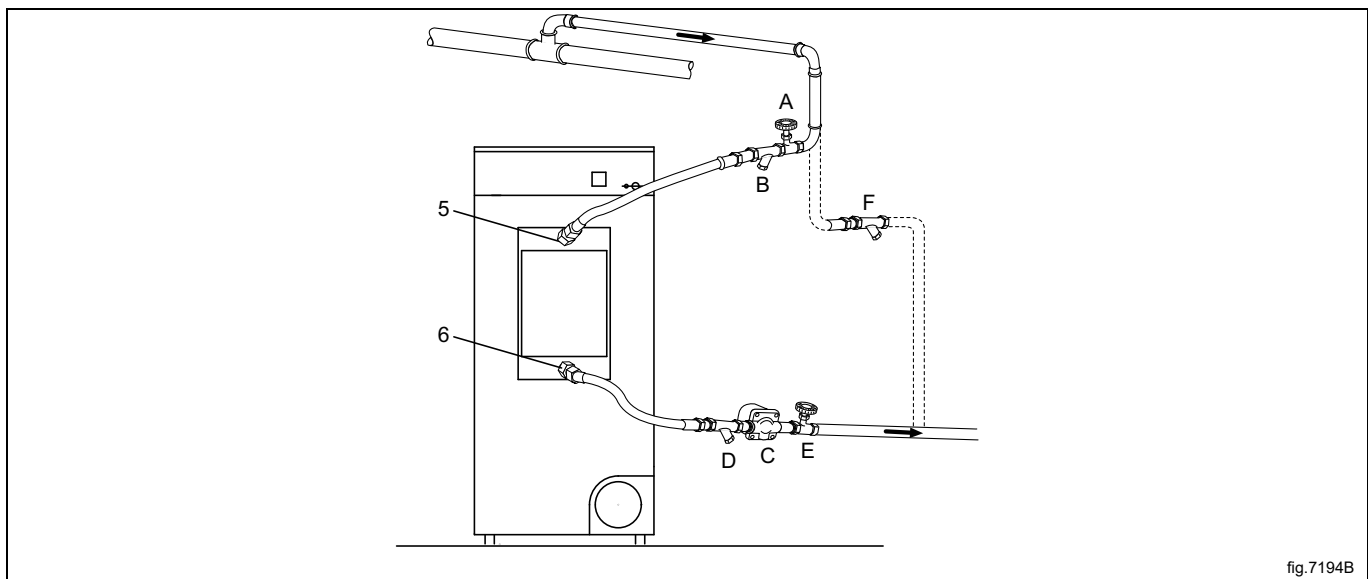


The steam supply must be cut off and must not be under pressure.



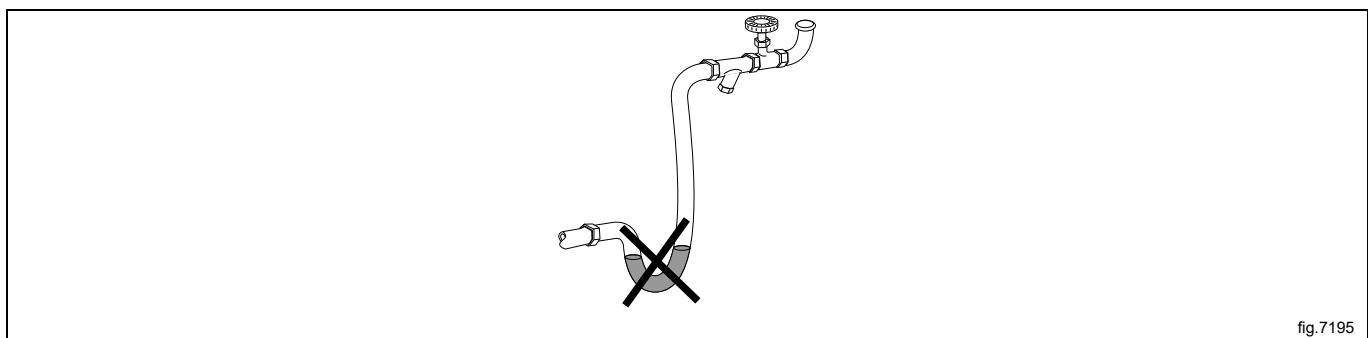
Steam inlet

- The branch pipes must be located at the top of the main steam pipe to prevent condensation in the steam.
- The branch pipe must have a descending gradient and must end at a height above the inlet connecting branch (5).
- Mount a plug valve (A) and a strainer (B) in the branch pipe.
- If the branch pipes are too far away from the main pipe, to maintain quality of the steam, it is recommended to install a steam trap (F).



Attach the pressure hoses to the machines inlet and outlet connecting branches. It is important to support the inlet and the outlet connecting branches in order to prevent deformation.

The pressure hoses must not hang down.



Condensate return

It is important that the branch pipe for condensed water on return to the main condensate pipe has a descending gradient and is lower than the outlet connecting branch (6).

- Mount a strainer (D) in the return pipe.
- Mount a mechanical water discharger (C) after the dirt collector (D).
- Mount a plug valve (E).
- Mount pressure hoses between the branch pipes and the machine. Note that hoses are not supplied.

Pipe insulation

All pipes must be insulated in order to reduce risk of scalding. Insulation also reduces loss of heat to the surroundings.

When ready

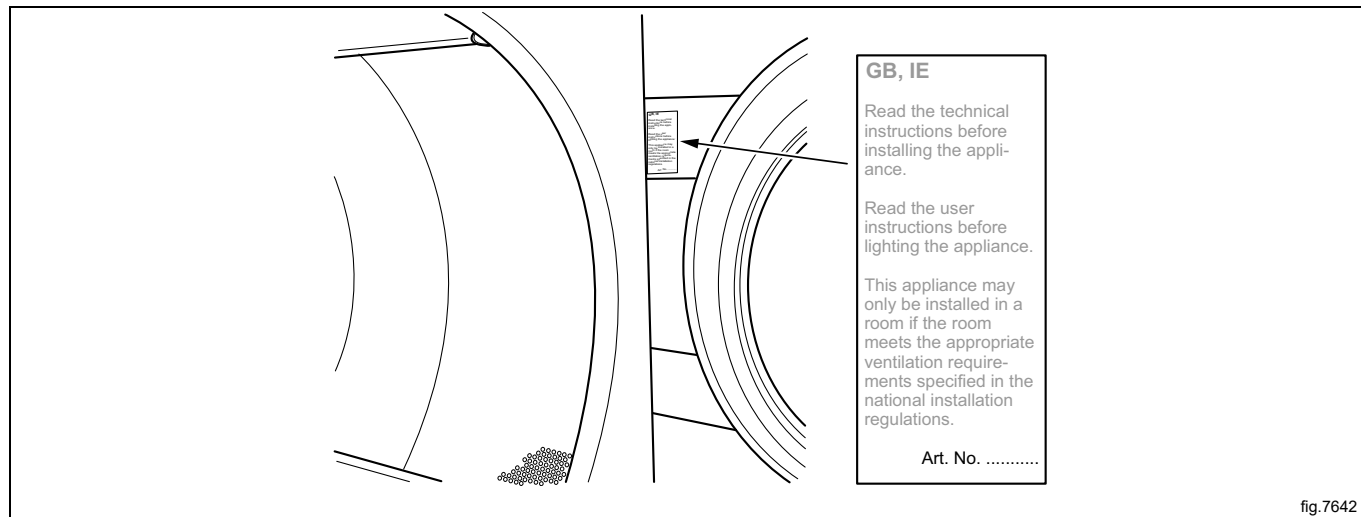
- Leak test the system.
- Clean the dirt collectors.

9 Gas connection

9.1 Fasten the label

Before installing the machine fasten the label "Read the user instructions" on the inside of the door in a suitable place and at the front panel.

The label must have the correct country code, choose the correct label from the gas kit.



9.2 General



May only be carried out by qualified personnel.



Mount a shut-off valve upstream from the machine.

The factory nozzle pressure setting corresponds to the fuel value given on the data label.

Check that the nozzle pressure and fuel value correspond with the values in the gas tables on the following pages. If not, contact the supplier.

Bleed the pipe system before connecting the machine.

Note!

After connection all joints must be checked. There must not be any leaks.

9.3 Gas installation

Note!

- The default gas appliances are built to run on natural gas (GNH) according to 2H or 2E (G20).
- The default gas appliance shall not be installed at an altitude above 610 m (2001 ft).
- To run on another gas type or/and an altitude above 610 m (2001 ft) gas converting must be done on the machine.
- The gas converting accessories for other gases at altitudes below 610 m (2001 ft) are in the accessory bag.
- The high altitude accessory kit for altitudes above 610 m (2001 ft) is not included.
- The high-altitude kit is available to order for natural gas 2E (G20) and propane 3P, for the kit no. please refer to the spare parts list.
- For LPG use gas qualities according to GPA Midstream Standard 2140-23.

The data label shows the injector size and the injector pressure and the countries that use this gas quality:

| | | | |
|----|----------------|----|-----------------------|
| AL | Albania | IE | Ireland |
| AT | Austria | IS | Iceland |
| BE | Belgium | IT | Italy |
| BG | Bulgaria | LT | Lithuania |
| CH | Switzerland | LU | Luxembourg |
| CY | Cyprus | LV | Latvia |
| CZ | Czech Republic | MK | Republic of Macedonia |
| DE | Germany | MT | Malta |
| DK | Denmark | NL | Netherlands |
| EE | Estonia | NO | Norway |
| ES | Spain | PL | Poland |
| FI | Finland | PT | Portugal |
| FR | France | RO | Romania |
| GB | United Kingdom | SE | Sweden |
| GR | Greece | SI | Slovenia |
| HR | Croatia | SK | Slovakia |
| HU | Hungary | TR | Turkey |

You should check the kind of energy gas that is available in your place and check high altitude of the machine located place.

There are many gas types of the same kind but the machine should be equipped with different kinds of nozzles depending on the gas type.

For non-european countries check the heat value of the energy gas and compare it to the declared heat value of gas in the attached label.

9.4 Table of pressure and adjustment

| Liquid petroleum gas (LPG) | Gas category | Inlet pressure (mbar) | Nozzle pressure (mbar) | Nozzle size (∅ mm) | Air reducing/restriction plate (mm) | Label number | May be available in following countries |
|---|--------------|-----------------------|------------------------|--------------------|-------------------------------------|--------------|--|
| BP mixtures according to GPA Midstream Standard 2140-23 | 3+ | 28-30 / 37 | No regulation | 2.30 | Default 487230035 | 490375643 | BE, CH, CY, CZ, ES, FR, GB, GR, IE, IT, LT, LU, LV, PT, SK, SI |
| Commercial Butane according to GPA Midstream Standard 2140-23 | 3B/P | 30, 37, 50 | 28 | 2.30 | Default 487230035 | 490375644 | BE, CY, DK, EE, FI, FR, GB, HU, IT, LT, NL, NO, SE, SI, SK, RO, HR, TR, BG, IS, LU, MT, PL, AT, CH, DE, SK |
| Propane HD-5 according to GPA Midstream Standard 2140-23 | 3P | 30, 37, 50 | 28 | 2.40 | Default 487230035 | 490375645 | FI, NL, RO, BE, CH, CZ, IE, IT, ES, FR, GR, GB, HR, LT, NL, PL, PT, SI, SK, AT, CH, DE, NL, LU, SK |

| Natural gas | Gas category | Inlet pressure (mbar) | Nozzle pressure (mbar) | Nozzle size (∅ mm) | Air reducing/restriction plate (mm) | Label number | May be available in following countries |
|-------------|--|-----------------------|------------------------|--------------------|-------------------------------------|--------------|--|
| | 2H, 2E | 20 | 8 | 4.00 | Default 487230035 | Default | AT, BG, CZ, DK, EE, FI, GR, HR, HU, IS, IE, IT, LV, LT, NO, PT, RO, SK, SI, ES, SE, CH, TR, GB, DE, PL, LU |
| | 2E+ | 20 / 25 | No regulation | 3.30 | Default 487230035 | 490375641 | BE, FR |
| | 2E (G20) | 20 | 8 | 4.00 | Default 487230035 | 490375642 | NL |
| | 2L (G25) | 25 | 12 | | | | |
| | 2(43.46-45.3 MJ/m ³ (0 °C)) (G25.3) | 25 | 12 | | | | |
| | 2LL (G25) | 20 | 12 | 4.00 | Default 487230035 | 490375642 | DE |

Note!

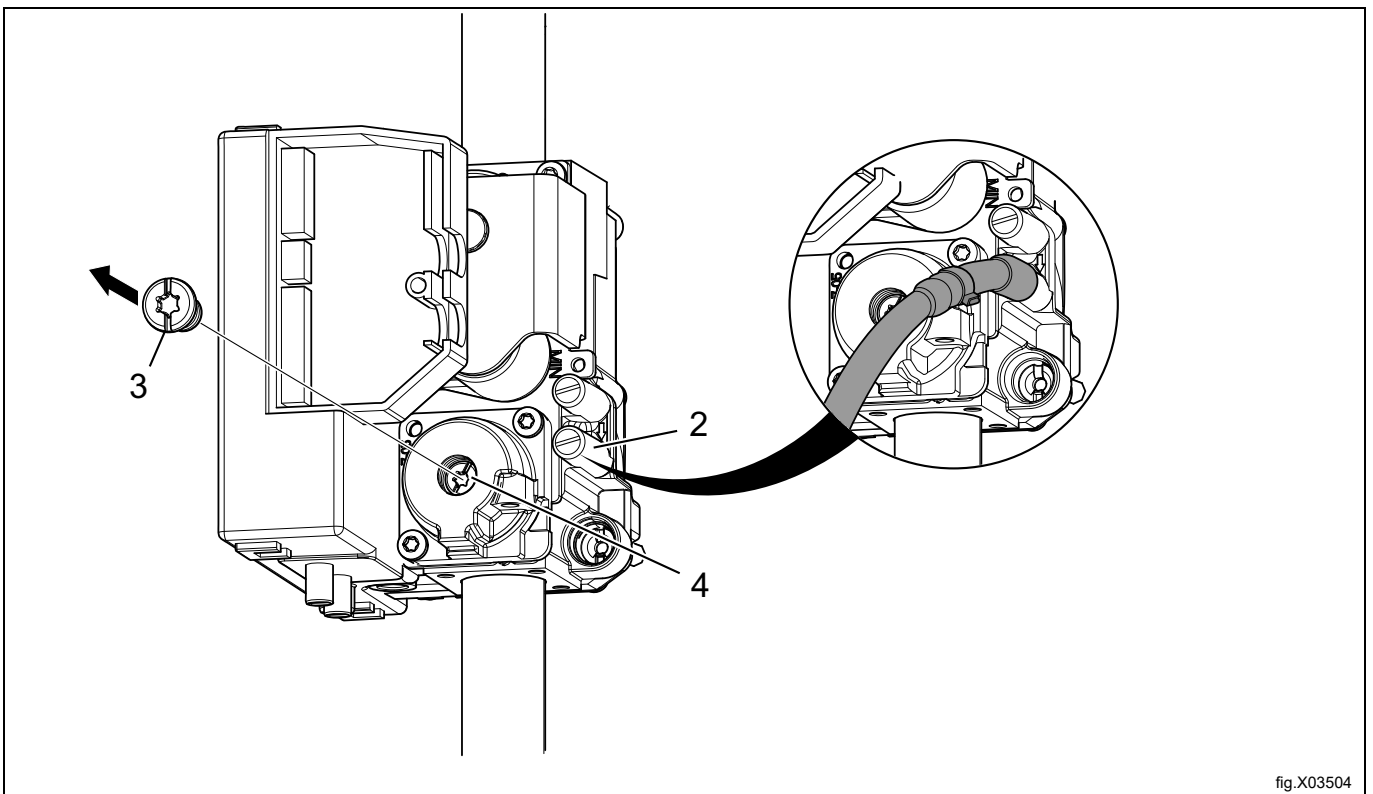
- The default gas appliances are built to run on natural gas (GNH) according to 2H or 2E (G20).
- The default gas appliance shall not be installed at an altitude above 610 m (2001 ft).
- To run on another gas type or/and an altitude above 610 m (2001 ft) gas converting must be done on the machine.
- The gas converting accessories for other gases at altitudes below 610 m (2001 ft) are in the accessory bag.
- The high altitude accessory kit for altitudes above 610 m (2001 ft) is not included.
- The high-altitude kit is available to order for natural gas 2E (G20) and propane 3P, for the kit no. please refer to the spare parts list.
- For LPG use gas qualities according to GPA Midstream Standard 2140-23.

9.5 Test run

Note!

Before test run the machine, ensure that the air flow/static back pressure has been adjusted accorded to the "Evacuation system" section. Adjust the air flow if necessary.

- Loosen the measuring branch screw (2) 1/4 turn; connect a manometer to the measuring branch and make sure the connection is tight to prevent air leakage.
- Connect the power to the machine and select a program with heat.
- Start the machine.
- Check that the nozzle pressure is correct according to the gas type, see "Table of pressure and adjustment".
- If the nozzle pressure should be adjusted:
 - Demount the cover screw (3).
 - Turn the screw (4). Clockwise: increasing nozzle pressure.
 - Turn the screw (4). Counter Clockwise: decreasing nozzle pressure.
- Check that the gas is burning evenly. The blue flame on the burner is preferred.



- Remount the cover screw (3).
- Remove the manometer and tighten the screw (2) when the adjustments are done.

Note!

After connection all joints must be checked. There must not be any leaks.

9.6 Converting instructions

- Disconnect the power to the machine.
- Demount the back panel.
- Demount the air restriction plate (1).
- Demount the nozzle (2) and mount the new supplied nozzle.
- Re-mount the air restriction plate.

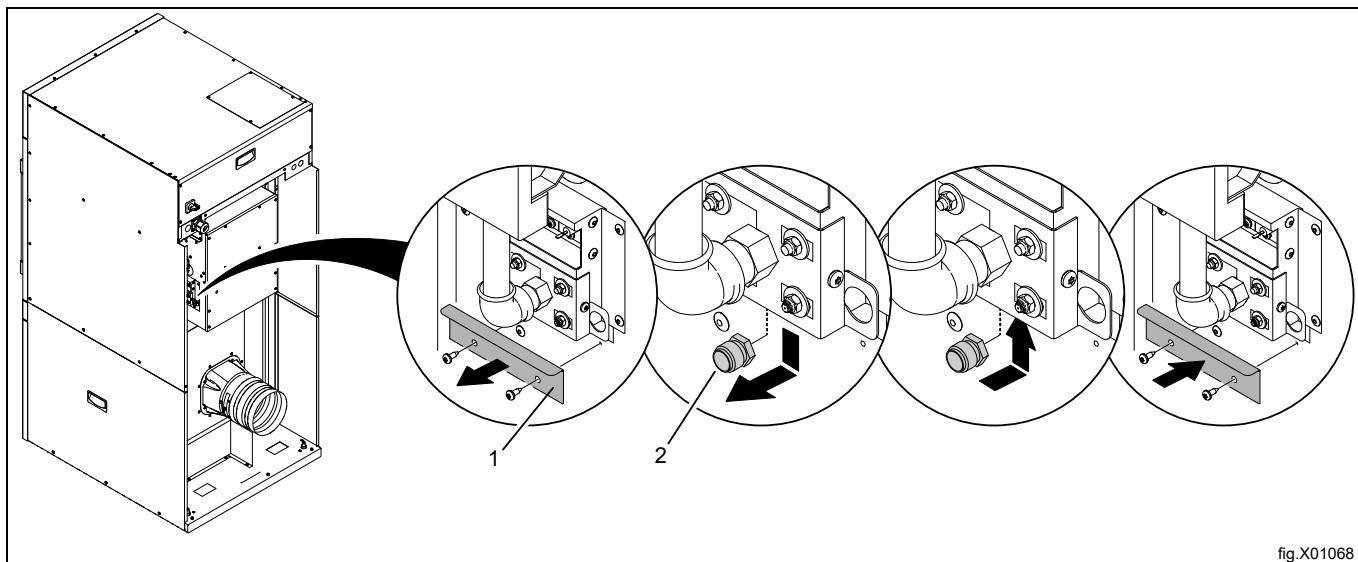


fig.X01068

- Loosen the measuring branch screw (2) 1/4 turn; connect a manometer to the measuring branch and make sure the connection is tight to prevent air leakage.
- Ensure that the air flow/static back pressure has been adjusted according to the "Evacuation system" section. Adjust the air flow if necessary.
- Connect the power to the machine and select a program with heat.
- Start the machine.
- Check that the nozzle pressure is correct according to the gas type, see "Table of pressure and adjustment".
- If the nozzle pressure should be adjusted:
 - Demount the cover screw (3).
 - Turn the screw (4). Clockwise: increasing nozzle pressure.
 - Turn the screw (4). Counter Clockwise: decreasing nozzle pressure.

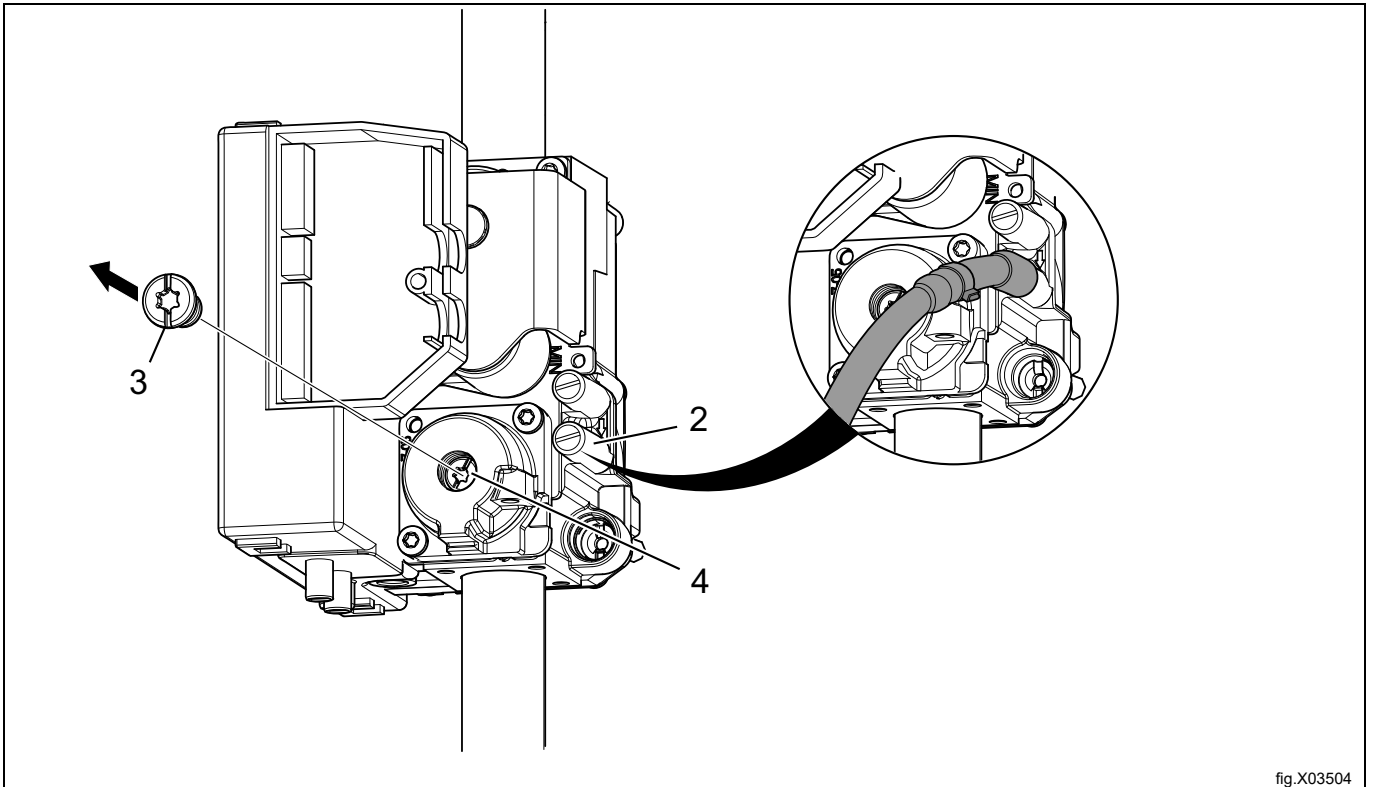


fig.X03504

- Check that the gas flame burns evenly.
- Mount the cover screw (3).
- Remove the manometer and tighten the screw (2) when the adjustments are done.
- Remount the rear panel.
- Put the correct gas label on the data plate, see "Data label" section.

Note!

After connection all joints must be checked. There must not be any leaks.

9.7 Data label

When the machine is to be converted to another gas type, the data label at the rear of the machine must be updated in order for the data to be correct.

Place the data label enclosed in the conversion kit on top of the data label as shown below. If there are more than one data label, select the label with the correct country code and gas type.

The diagram illustrates the correct placement of a conversion kit data label on an existing machine data label. The central label contains the following information:

Product no.: WXXXXX
 Serial no.: 9868XXXXXX
 OC: 09XXXXX / 99XXXXX
 Program: 432XXXXXX, 5XXX
 Type: WN3...WN3XXXX

Wiring diag: 432XXXXXXX

Product no.: WXXXXX
 Serial no.: 9868XXXXXX
 OC number: 09XXXXX Date(YMM): 10XX
 Capacity: X kg
 Type/Model: WN3...WN3XXXX
 Voltage: 380 - 400V 3N ~ 50Hz

Rated Input: 1,6kW

10A

ΣQn(Hs) 21 KW PIN NO. 2575DM30487
 AT,BG,CZ,DK,EE,FI,GR,HR,HU,IS,IE,IT,LV,
 LT,NO,PT,RO,SK,SI,ES,SE,CH,TR : I2H (20MBAR)
 DE,PL,LU : I2E (20/25MBAR)
 GB : I2H (20MBAR) PIN NO. 359BQ491
 MANIF. PRESS.: 8 MBAR INJECTOR:Ø 4.00 MM
 NATURAL GAS : G20
 (INLET PRESS.: 20-25 MBAR, CAL. VAL. 37780 KJ/M3)

For safety reasons use only genuine spare parts.

Made in Sweden
 Electrolux Professional AB
 341 80 Ljungby, Sweden

Product no.: WXXXXX
 Serial no.: 9868XXXXXX
 OC: 09XXXXX / 99XXXXX
 Program: 432XXXXXX, 5XXX
 Type: WN3...WN3XXXX

Wiring diag: 432XXXXXXX

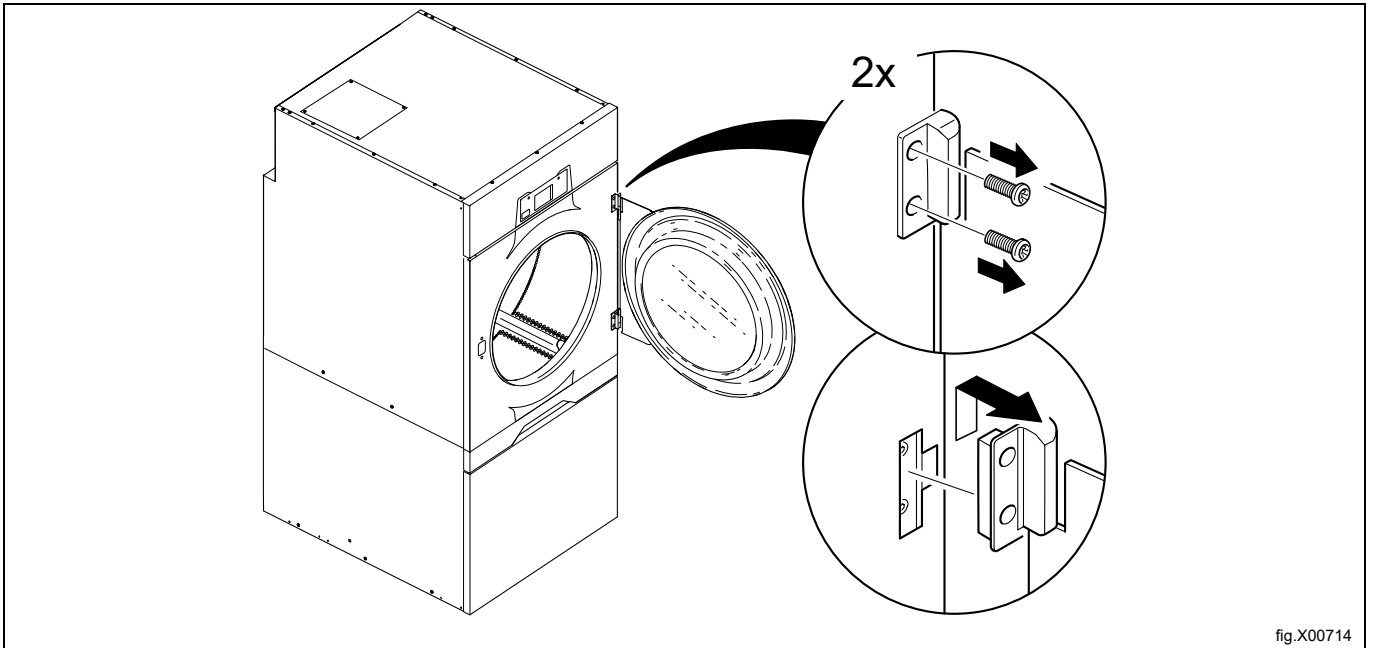
ΣQn(Hs) 21 KW PIN NO. 2575DM30487
 BE,CH,CY,CZ,ES,FR,GR,IE,IT,
 LT,LU,LV,PT,SK,SI : I3+ (28-30/37MBAR)
 GB : I3+ (28-30/37MBAR) PIN NO. 359BQ491
 MANIF. PRESS.: 28-30/37MBAR INJECTOR:Ø 2.30 MM
 LPG GAS: G30/G31
 (INLET PRESS.: 28-30/37 MBAR, CAL. VAL. 125810/95650 KJ/M3)

fig.X02293

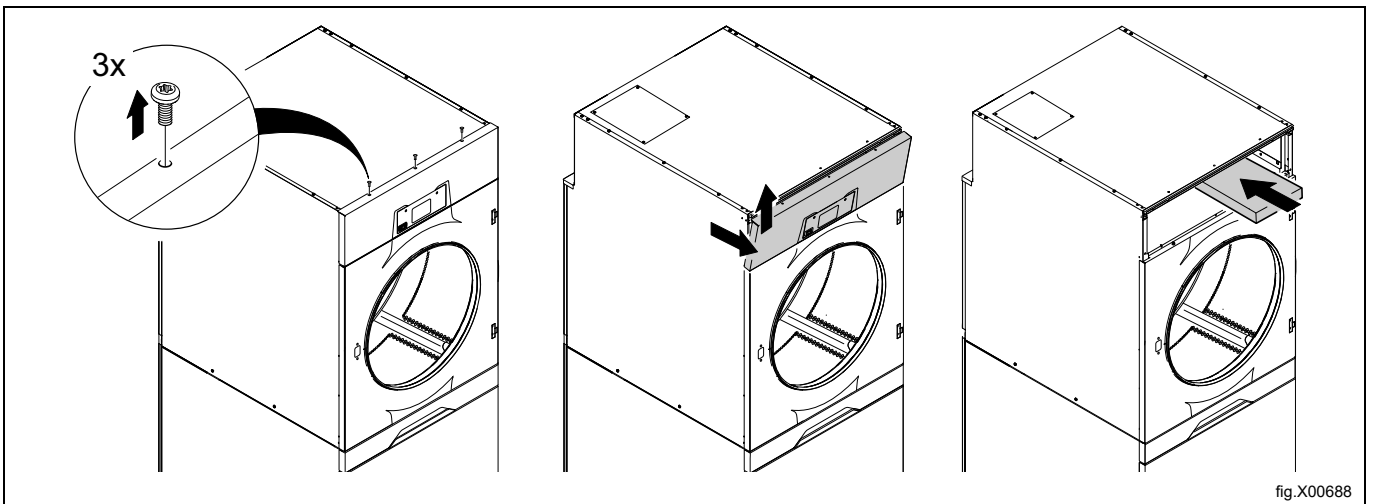
10 Reversing the door

Disconnect the power to the machine.

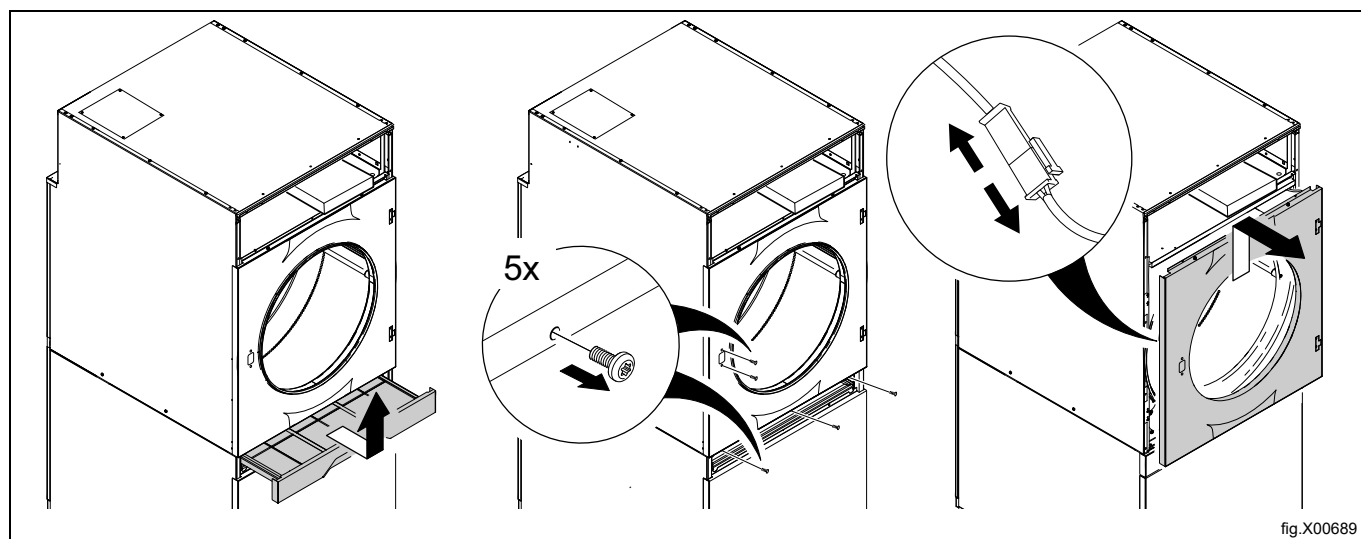
Demount the hinges and remove the door. Remove the upper hinge first.



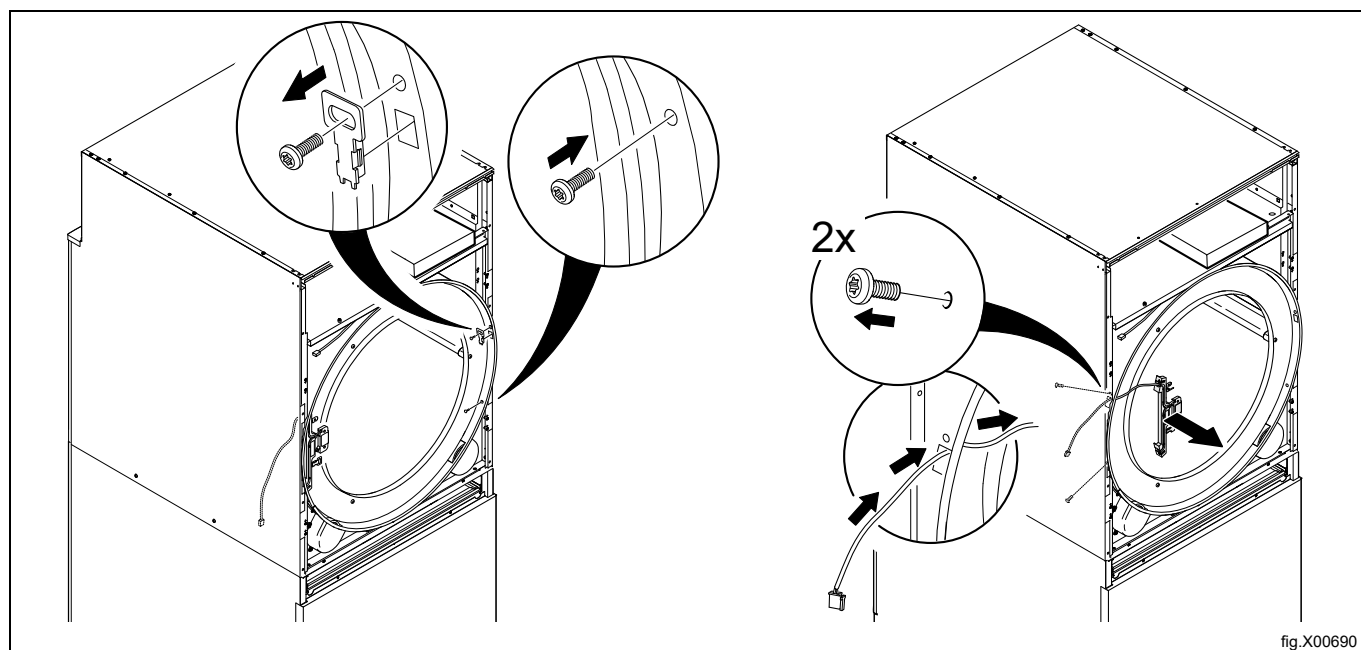
Demount the upper front panel and carefully place it in the area over the front panel (place it with the front facing upwards). Be careful not to damage the cables. (It is also possible to disconnect the cables and put the upper front panel elsewhere).



Remove the filter drawer from the machine.
Remove the screws to the door switch magnet.
Demount the front panel.
Disconnect the door switch cable.



Remove the upper screw, the cover and the lower screw on the right side.
Remove the screws on the left side to release the reed switch bracket holding the door switch cable. Pull the door switch cable through the hole to release it.



On the reed switch bracket, pull out and move the door switch cable from the upper to the lower position according to the figure. Make sure that the cable and the end piece are in position.

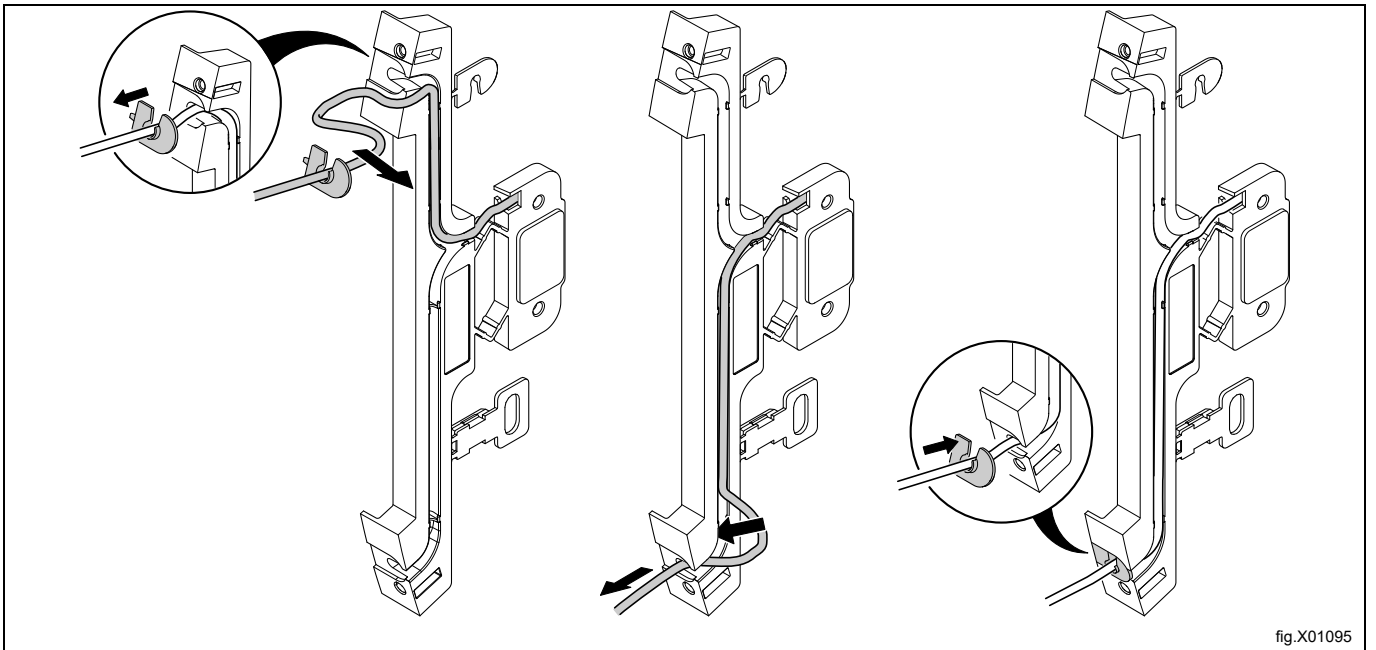


fig.X01095

Turn the reed switch bracket up side down and mount it on the right side. Pull the door switch cable out through the hole and connect it.

Fasten the reed switch bracket with the screws on the right side.

Remount the cover and fasten the upper and lower screw on the left side.

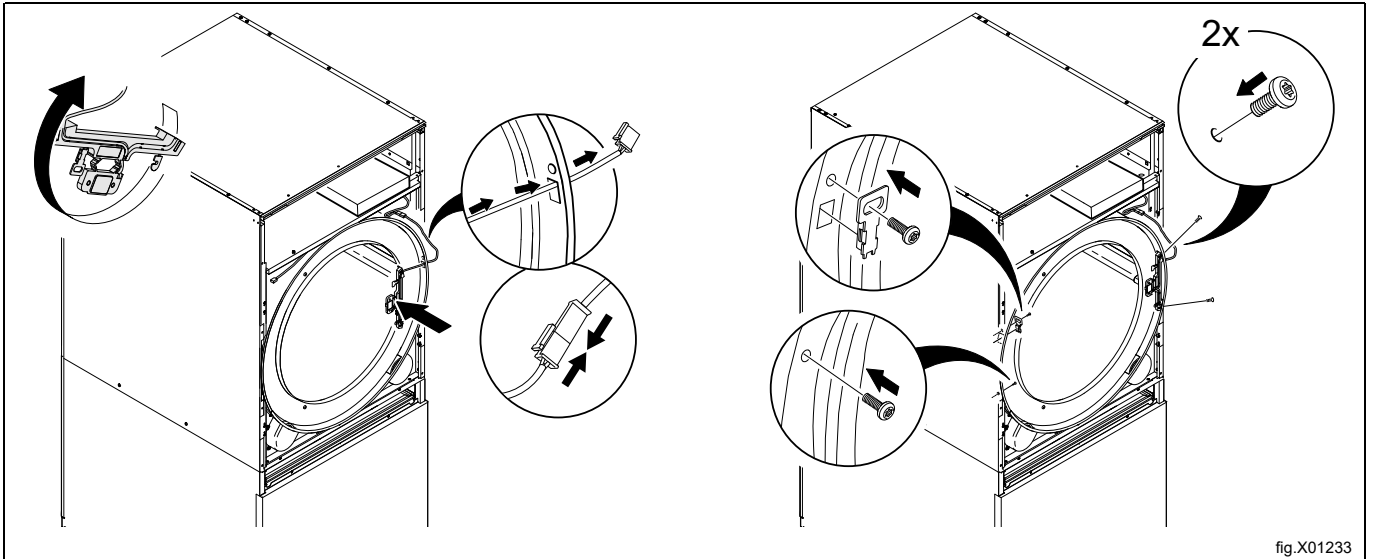


fig.X01233

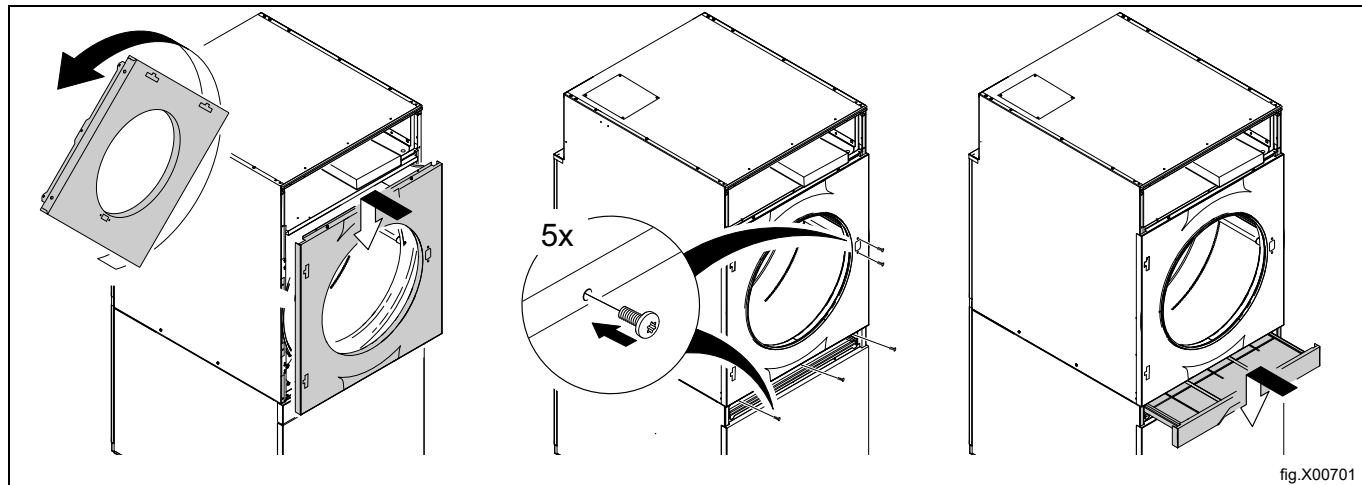
Turn the front panel up side down and remount it on the machine.
Fasten the screws to the door switch magnet.



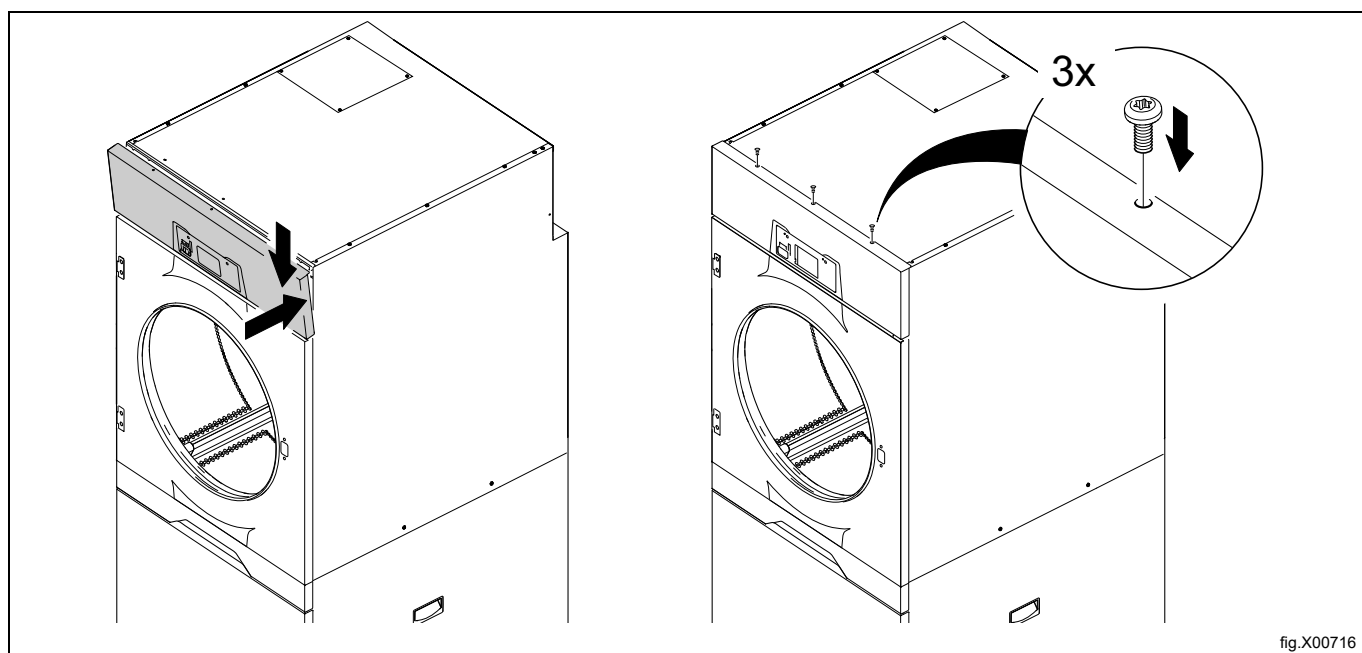
Ensure that the door switch cable does not get damaged when remounting the front panel.



Insert the filter drawer.



Remount the upper front panel.



Remount the lower hinge first.

Position the door on the lower hinge.

Put the upper hinge on the door and then fasten the hinge while it is on the door.

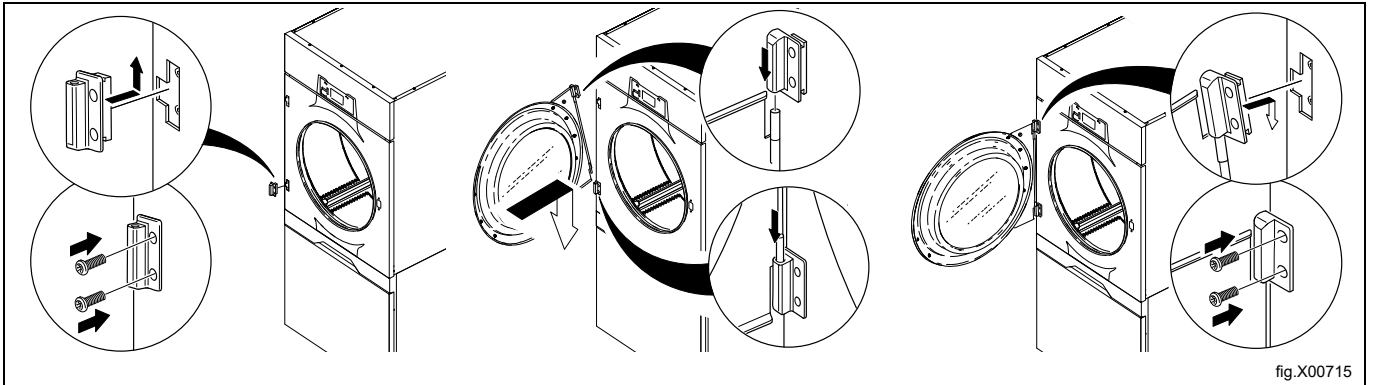


fig.X00715

Connect the power to the machine.

Test run the machine.

11 At first power up

When the installation is complete and the power is connected for the first time you will be forced to make the following settings. When one setting is ready you will automatically enter the next one. Follow the instructions on the display.

- Select language
- Set time and date
- Activate/deactivate the service alarm

11.1 Select language

Select language from the list on the display. Scroll with the up- and down arrows.

This will be the language that all display messages, program names etc will be presented in.

11.2 Set time and date

Select YES and press ►|| to get to the TIME/DATE menu.

Activate the SET TIME menu and set the correct time.

Save the settings.

Activate the SET DATE menu and set the correct date. Start by setting the year.

- Set the year. Exit to continue with a long press on ►|| .
- Set the month. Exit to continue with a long press on ►|| .
- Set the day. Exit with a long press on ►|| and then save with a long press on ►|| .

Exit the menu when ready.

11.3 Activate/Deactivate the service alarm

Set if the machine shall give a service alarm or not with YES or NO.

Exit and save the settings.

12 Function check



May only be carried out by qualified personnel.



The following function checks shall be made when:

- The installation is completed and before the machine can be used for the first time.
- Whenever a repair has been made.

Check the automatic stop of the machine

- Start a program and check if the machine stops if the door is opened or if the filter drawer is pulled out.
- If the machine does not stop, one of the micro switches are not working properly.

Check the direction of rotation on the fan motor (only on machines with 3-phase power supply)

- Remove the filter drawer and demount the lower front panel.
- Insert the filter drawer.

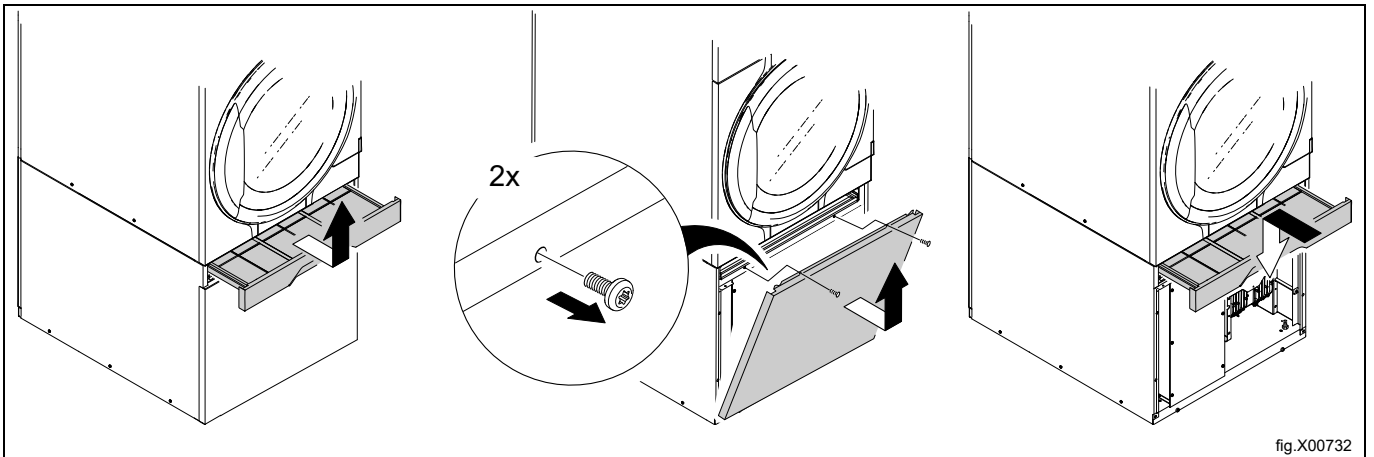


fig.X00732

If you have a machine with drum speed control you also need to demount the cover panel to the fan motor.

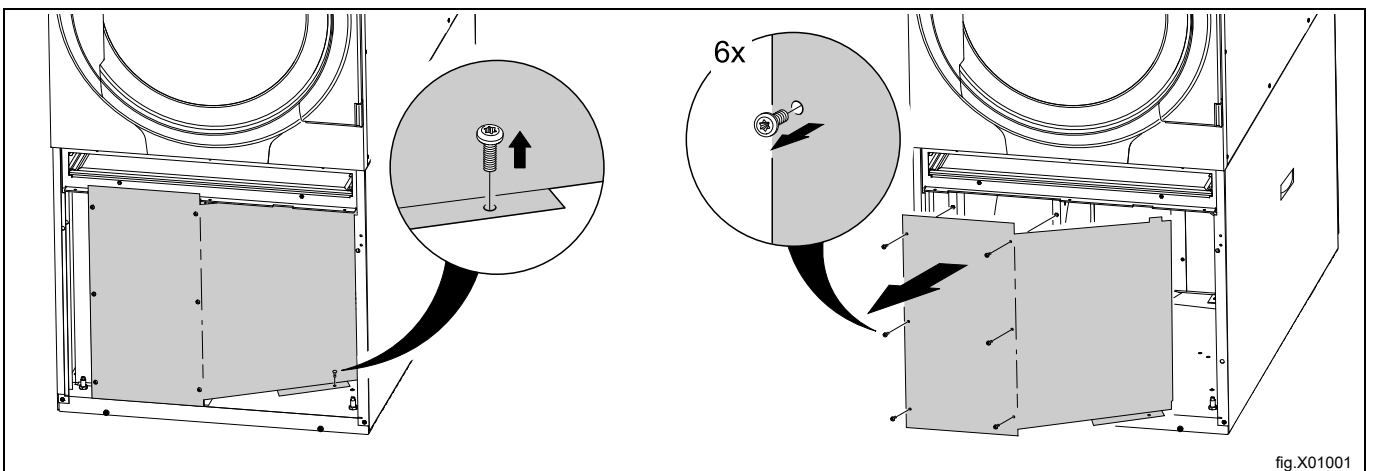
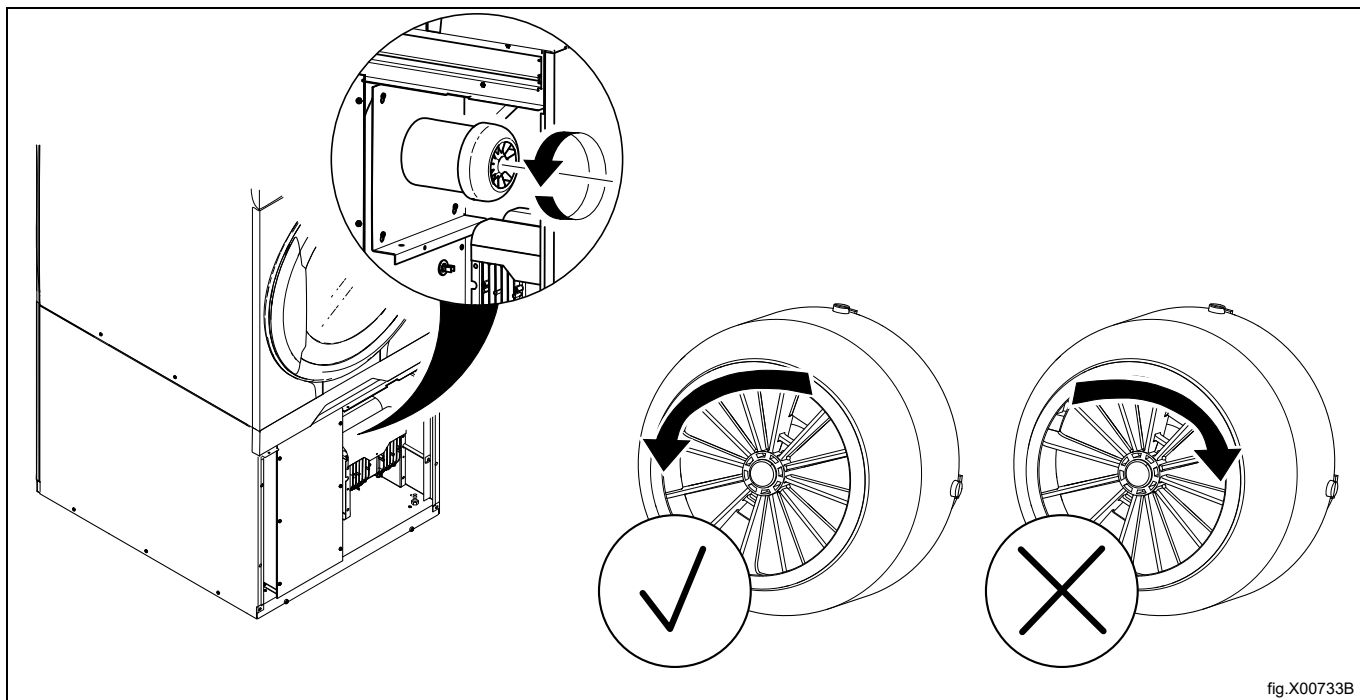


fig.X01001

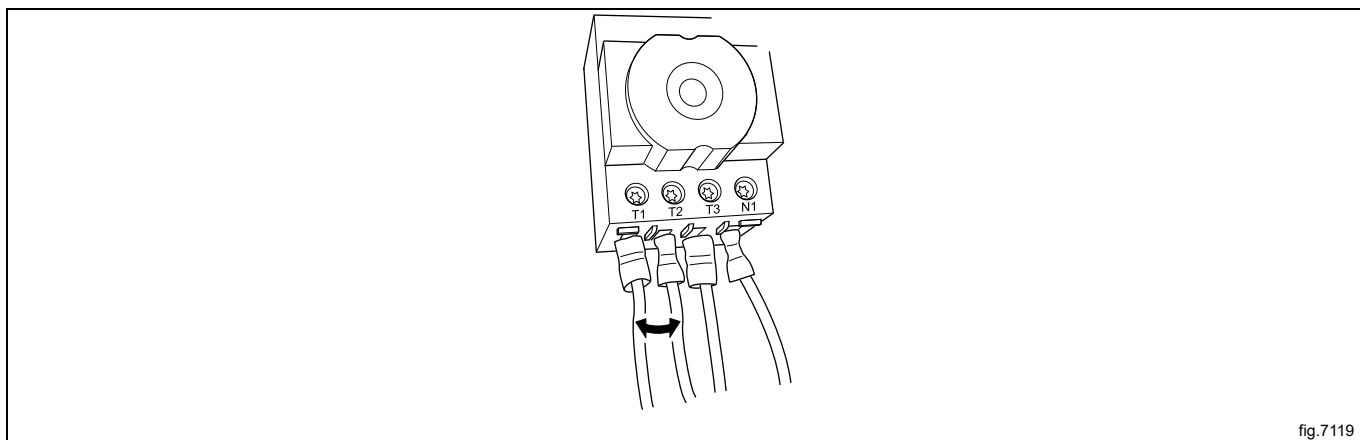
- Start a program and check that the direction of the fan motor is correct. The direction shall be counter clock-wise.



If the direction of the fan motor is wrong, swap two of the three phases to the left on the connection terminal.

Note!

Wrong direction of the fan motor will result in an error code about low air flow.



- Remove the filter drawer and remount the panels.
- Insert the filter drawer.

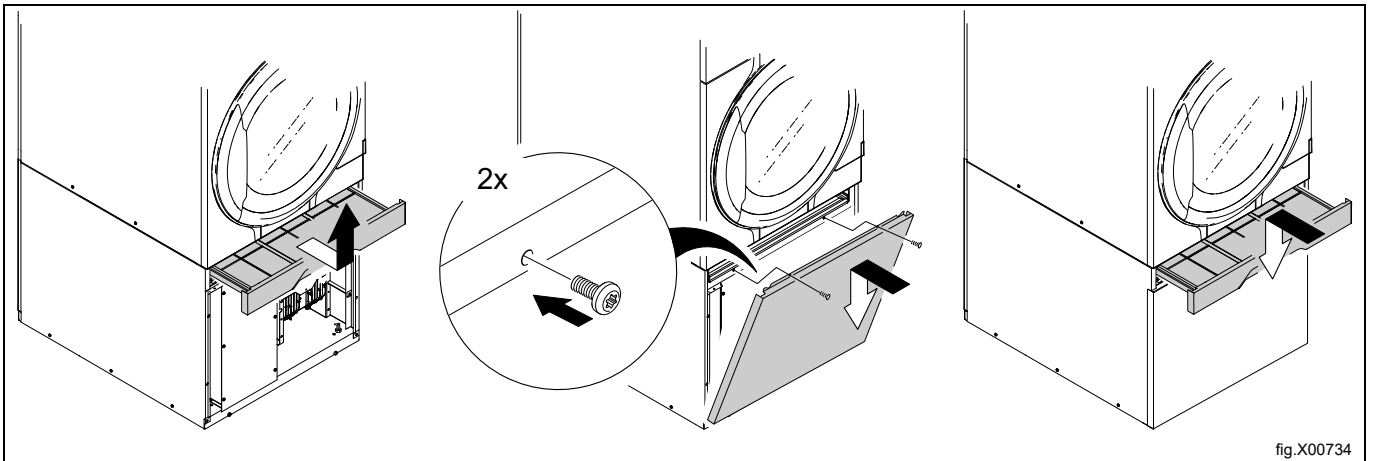


fig.X00734

Check the heat

- Start a program with heat and let the machine work with an empty drum for about five minutes.
- Open the door and sense if there is heat in the drum.

During a drying cycle, when the square in the lower right corner is fully ticked, it indicates that the heating unit is active / ON. The heating unit can be gas, electric, steam or heat pump type.

If the square box is not ticked, it doesn't mean the heating unit is abnormal. This box is just monitoring the status of the heating unit and shows if it is Active / ON or Inactive / OFF.

- A = Active / ON
- B = Inactive / OFF

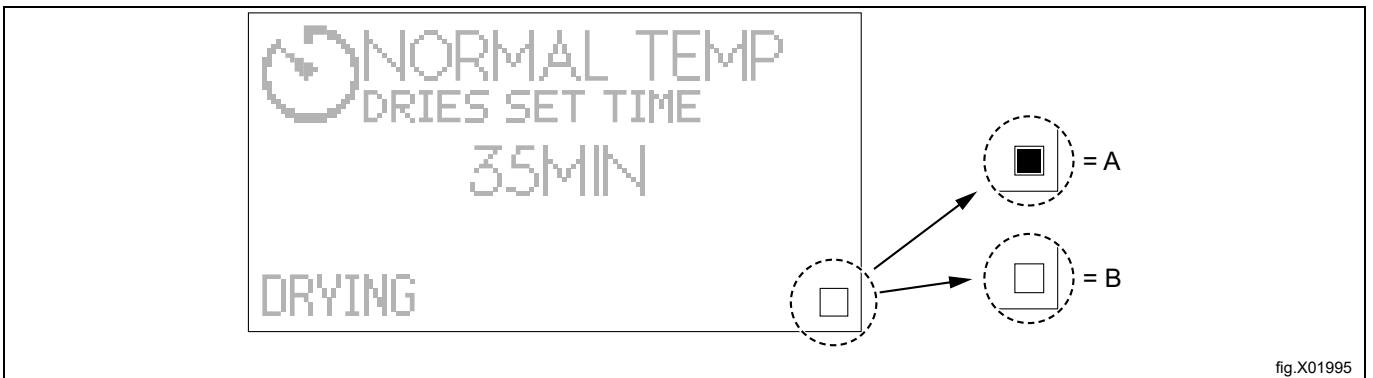


fig.X01995

Ready to use

If all tests are OK the machine is now ready to be used.

If some of the tests failed, or deficiencies or errors are detected, please contact your local service organisation or dealer.

The installer shall instruct the user on the operation of the appliance before leaving.

13 Disposal information

13.1 Appliance recyclability and disposal

13.1.1 Recyclability

Our appliances are manufactured using a significant percentage of recyclable metals (such as stainless steel, iron, aluminium, galvanized sheet, copper, etc.), which can be recovered through the local recycling systems, in compliance with the regulations in force in the country of use.

National regulations regarding waste disposal may vary. Disposal of the appliance must therefore be carried out in accordance with the applicable legislation and the directives issued by the competent authorities in the country where the appliance is decommissioned.

The components of the appliance must be separated and disposed of in accordance with their material composition (e.g. metals, oils, greases, plastics, rubber, refrigerant gases, insulating boards and other insulating material, glass wool, LEDs, etc.) and in full compliance with applicable local and international waste management regulations.

Compressors may contain oils and refrigerants fluids - are special waste and has to be recycled on local bases regulations.

13.1.2 Procedure regarding appliance disposal and component / material recovery

This product should not simply be disposed of in the environment at the end of its life cycle; it is imperative instead either to dispose of it in accordance with local environmental regulations, or, preferably, to deliver it whole to an authorized recycling center.

All removed components, including doors and other structural parts, must be delivered together with the appliance to an authorized recycling or dismantling facility.

The dismantling/recycling center will apply state of the art technologies and methods available to them to effectively disassemble the products for best recyclability.

Note that printed circuit boards, electrical motors or other components identified in European Union legislation to be of high critical raw materials recovery potential need to be addressed specifically.

In case of doubts or questions, always refer to your reference customer care service.

Before disposing of the appliance, carefully inspect its physical condition and preservation state, checking for potential leaks of liquids or gases, as well as for broken parts that may pose hazards during handling and subsequent dismantling.



The symbol on the product indicates that this product should not be treated as domestic waste, but must be correctly disposed of in order to prevent any negative consequences for the environment and human health. For further information on the recycling of this product, contact the local dealer or agent, the customer care service or the local body responsible for waste disposal.



Note!

When dismantling the appliance, any marking, this manual and other documents concerning the appliance must be destroyed.

13.2 Disposal of packing

The packing must be disposed of in compliance with the current regulations in the country where the appliance is used. All the packing materials are environmentally friendly.

They can be safely kept, recycled or burned in an appropriate waste incineration plant. Recyclable plastic parts are marked as following examples.

| | |
|---|--|
|  | Polyethylene: <ul style="list-style-type: none"> • Outer wrapping • Instructions bag |
|  | Polypropylene: <ul style="list-style-type: none"> • Straps |
|  | Polystyrene foam: <ul style="list-style-type: none"> • Corner protectors |



Electrolux Professional AB
341 80 Ljungby, Sweden
www.electroluxprofessional.com