

Installation manual

Washer extractor

WH6-6LAC

Type W.55H..



Electrolux
PROFESSIONAL

Contents

Contents

1	Safety Precautions	5
1.1	General safety information.....	6
1.2	Commercial use only.....	6
1.3	Copyright	6
1.4	Symbols.....	6
2	Warranty terms and exclusions.....	7
3	Technical data.....	8
3.1	Drawing	8
3.2	Technical data	9
3.3	Connections	9
4	Setup	10
4.1	Unpacking.....	10
4.2	Recycling instruction for packaging	11
4.3	Siting	12
4.4	Mechanical installation	13
5	Water connection	14
6	Water hardness and dosage.....	16
7	Connection of external dosing systems	17
7.1	Connection of the hoses.....	17
7.1.1	Machine equipped with hose nipple on the rear of the machine	17
7.1.2	Machine equipped with detergent container, without hose nipple on the rear of the machine	18
7.2	Electrical connection of external dosing system.....	18
7.2.1	Machine with connectors.....	19
7.2.2	Machine without connectors	20
7.2.3	Outputs	21
7.2.4	Inputs	22
8	Drain connection	23
9	Electrical connection.....	23
9.1	Electrical installation	23
9.2	Electrical connections	23
9.3	Machine connection	24
10	At first power up	26
10.1	Select language.....	26
10.2	Set time and date.....	26
11	Function check.....	27
12	Disposal information	28
12.1	Appliance recyclability and disposal	28
12.1.1	Recyclability.....	28
12.1.2	Procedure regarding appliance disposal and component / material recovery.....	28
12.2	Disposal of packing.....	28

The manufacturer reserves the right to make changes to design and component specifications.

1 Safety Precautions

- Servicing shall be carried out only by authorized personnel.
- Only authorized spare parts, accessories and consumables shall be used.
- Only use detergent intended for water-wash of textiles. Never use dry cleaning agents.
- The machine shall be connected with new water hoses. Re-used water hoses must not be used.
- The machine's door lock must under no circumstances be bypassed.
- If the machine develops a fault, this must be reported to the person in charge as soon as possible. This is important both for your safety and that of others.
- DO NOT MODIFY THIS APPLIANCE.
- When performing service or replacing parts, the power must be disconnected.
- When the power is disconnected, the operator must see that the machine is disconnected (that the plug is removed and remains removed) from any point to which he has access. If this is not possible, due to the construction or installation of the machine, a disconnection with a locking system in the isolated position shall be provided.
- In accordance with the wiring rules: mount a multi-pole switch prior to the machine to facilitate installation and service operations.
- If different rated voltages or different rated frequencies (separated by a /) are stated at the machine data plate, instructions for adjusting the appliance for operation at the required rated voltage or rated frequency are stated in the installation manual.
- Stationary appliances not fitted with means for disconnection from the supply mains having a contact separation in all poles that provide full disconnection under overvoltage category III, means for disconnection must be incorporated in the fixed wiring in accordance with the wiring rules.
- The openings in the base, shall not be obstructed by a carpet.
- Maximum mass of dry cloth:
 - Lagoon programs: 3.7 kg.
 - General programs: 6 kg.
- A-weighted emission sound pressure level at working stations:
 - Wash: <70 dB(A).
 - Extraction: <70 dB(A).
- Maximum inlet water pressure: 1000 kPa
- Minimum inlet water pressure: 50 kPa
- Additional requirements for the following countries; AT, BE, BG, HR, CY, CZ, DK, EE, FI, FR, DE, GR, HU, IS, IE, IT, LV, LT, LU, MT, NL, NO, PL, PT, RO, SK, SI, ES, SE, CH, TR, UK:
 - The appliance can be used in public areas.
 - This appliance can be used by children aged from 8 years and above and persons with reduced physical, sensory or mental capabilities or lack of experience and knowledge if they have been given supervision or instruction concerning use of the appliance in a safe way and understand the hazards involved. Children shall not play with the appliance. Cleaning and user maintenance shall not be made by children without supervision.
 - Children of less than 3 years should be kept away unless continuously supervised.

- Additional requirements for other countries:
 - This appliance is not intended for use by persons (including children) with reduced physical, sensory or mental capabilities, or lack of experience and knowledge, unless they have been given supervision or instruction concerning use of the appliance by a person responsible for their safety. Children should be supervised to ensure that they do not play with the appliance.
 - This appliance is not intended for use in household applications but is intended for use in similar applications such as: staff kitchen areas in shops, offices and other working environments, farm houses, by clients in hotels, motels and other residential type environments, bed and breakfast type environments, areas for communal use in blocks of flats or in launderettes.

1.1 General safety information

The machine is only intended for water-wash use.

Do not hose down the machine with water.

In order to prevent damage to the electronics (and other parts) that may occur as the result of condensation, the machine should be placed in room temperature for 24 hours before being used for the first time.




1.2 Commercial use only

The machine/machines covered by this manual is/are made for commercial and industrial use only.

1.3 Copyright

This manual is intended solely for consultation by the operator and can only be given to third parties with the permission of Electrolux Professional AB company.

1.4 Symbols

	Caution
	Caution, high voltage
	Read the instructions before using the machine

2 Warranty terms and exclusions

If the purchase of this product includes warranty coverage, warranty is provided in line with local regulations and subject to the product being installed and used for the purposes as designed, and as described within the appropriate equipment documentation.

Warranty will be applicable where the customer has used only genuine spare parts and has performed maintenance in accordance with Electrolux Professional AB user and maintenance documentation made available in paper or electronic format.

Electrolux Professional AB strongly recommends using Electrolux Professional AB approved cleaning, rinse and descaling agents to obtain optimal results and maintain product efficiency over time.

The Electrolux Professional AB warranty does not cover:

- service trips cost to deliver and pick up the product;
- installation;
- training on how to use/operate;
- replacement (and/or supply) of wear and tear parts unless resulting from defects in materials or workmanship reported within one (1) week from the failure;
- correction of external wiring;
- correction of unauthorized repairs as well as any damages, failures and inefficiencies caused by and/or resulting from;
 - insufficient and/or abnormal capacity of the electrical systems (current/voltage/frequency, including spikes and/or outages);
 - inadequate or interrupted water supply, steam, air, gas (including impurities and/or other that does not comply with the technical requirements for each appliance);
 - plumbing parts, components or consumable cleaning products that are not approved by the manufacturer;
 - customer's negligence, misuse, abuse and/or non-compliance with the use and care instructions detailed within the appropriate equipment documentation;
 - improper or poor: installation, repair, maintenance (including tampering, modifications and repairs carried out by third parties not authorized third parties) and modification of safety systems;
 - Use of non-original components (e.g.: consumables, wear and tear, or spare parts);
 - environment conditions provoking thermal (e.g. overheating/freezing) or chemical (e.g. corrosion/oxidation) stress;
 - foreign objects placed in- or connected to- the product;
 - accidents or force majeure;
 - transportation and handling, including scratches, dents, chips, and/or other damage to the finish of the product, unless such damage results from defects in materials or workmanship and is reported within one (1) week of delivery unless otherwise agreed;
- product with original serial numbers that have been removed, altered or cannot be readily determined;
- replacement of light bulbs, filters or any consumable parts;
- any accessories and software not approved or specified by Electrolux Professional AB.

Warranty does not include scheduled maintenance activities (including the parts required for it) or the supply of cleaning agents unless specifically covered within any local agreement, subject to local terms and conditions.

Check on Electrolux Professional AB website the list of authorized customer care.

3 Technical data

3.1 Drawing

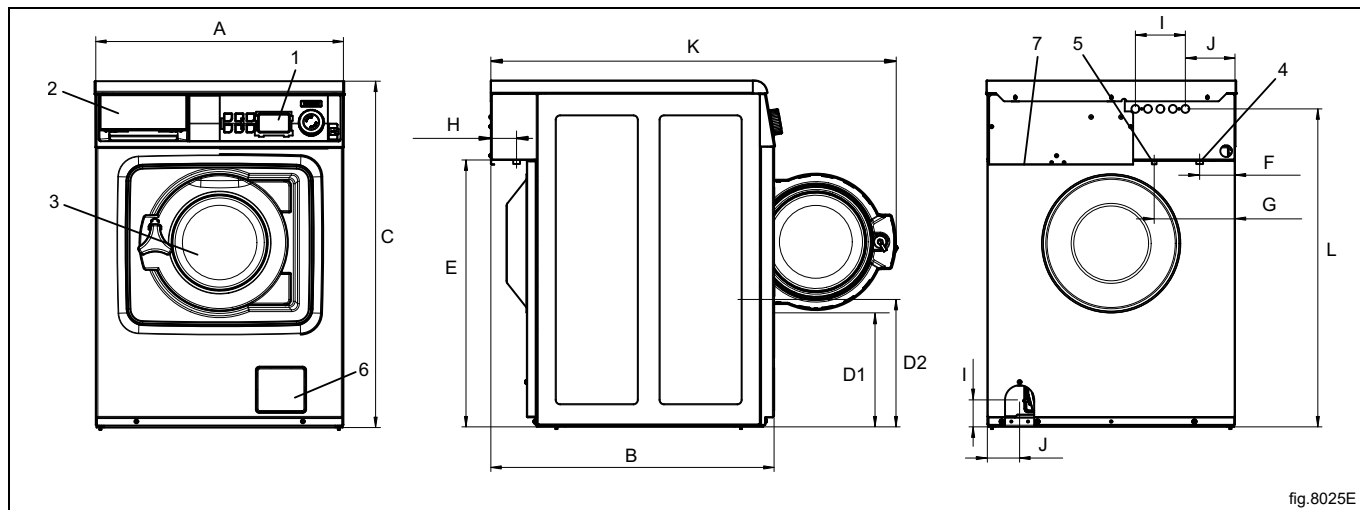


fig.8025E

1	Operating panel
2	Detergent container
3	Door opening, \varnothing 255 mm
4	Cold water
5	Hot water
6	Drain pump
7	Electrical connection

	A	B	C	D1	D2	E	F
mm	595	680	830*	285	310	640	85

	G	H	I	J	K	L
mm	195	50	120	120	975	765

* Adjustable height: 25 mm.

3.2 Technical data

Weight, net	kg	100
Drum volume	litres	53
Drum diameter	mm	452
Drum speed during wash	rpm	35/54
Drum speed during extraction	rpm	1450
G-factor, max.		530
Heating: Electricity	kW	4.4
Frequency of the dynamic force	Hz	24.2
Floor load at max extraction	kN	1.2±0.3
Sound power/pressure level at extraction*	dB(A)	70/56
Sound power/pressure level at wash*	dB(A)	56/42
Heat emission of installed power, max	%	5

* Sound power levels measured according to ISO 60704.

3.3 Connections

Water valves	DN BSP	20 3/4"
Recommended water pressure	kPa	200–600
Continuous operating pressure	kPa	50–800
Capacity at 300 kPa	l/min	17
Draining capacity (drain pump)	l/min	25

4 Setup

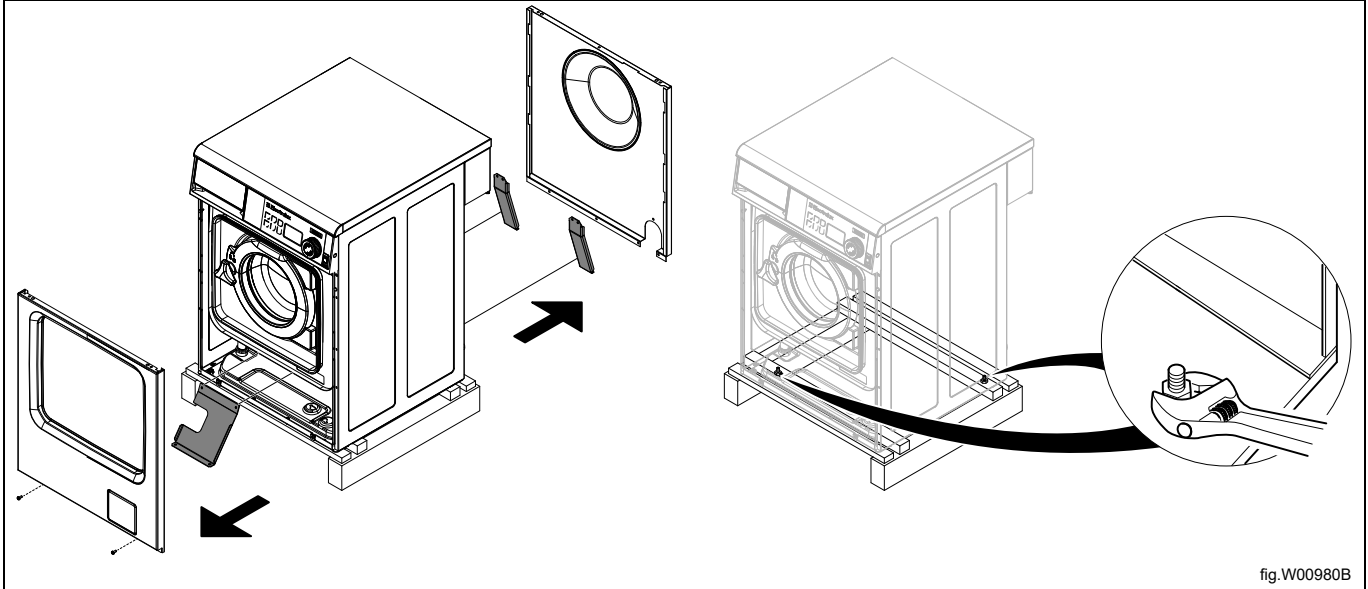
4.1 Unpacking

Remove the front panel by undoing the two screws on the bottom edge.

Remove the rear panel by undoing the screws.

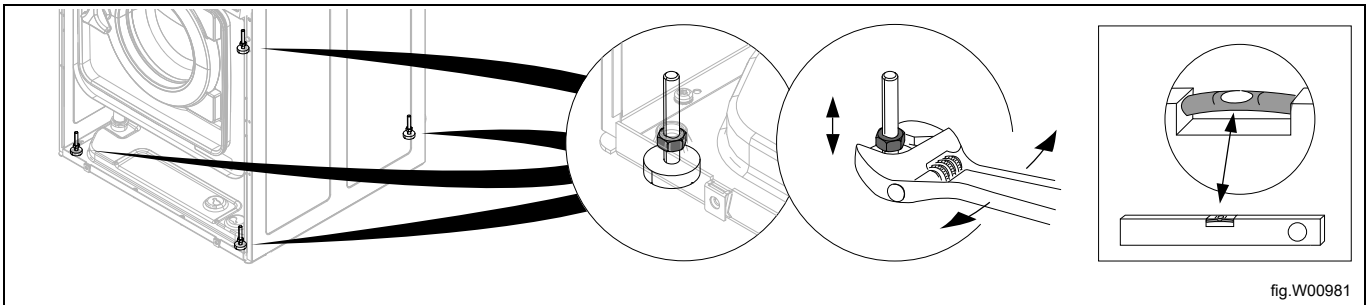
Remove the three transport supports, one at the front and two at the back. Save the transport supports if the machine needs to be moved in the future.

Remove the bolts between the machine and pallet. There is one to the right in the front of the machine and another diagonally opposed to it, at the back of the machine.



Remove the machine from the pallet. The machine shall be lifted in the bottom frame.

Mount the enclosed supporting feet and level the machine.



Remount the front- and the back panel.

Place the machine on its final position.

4.2 Recycling instruction for packaging

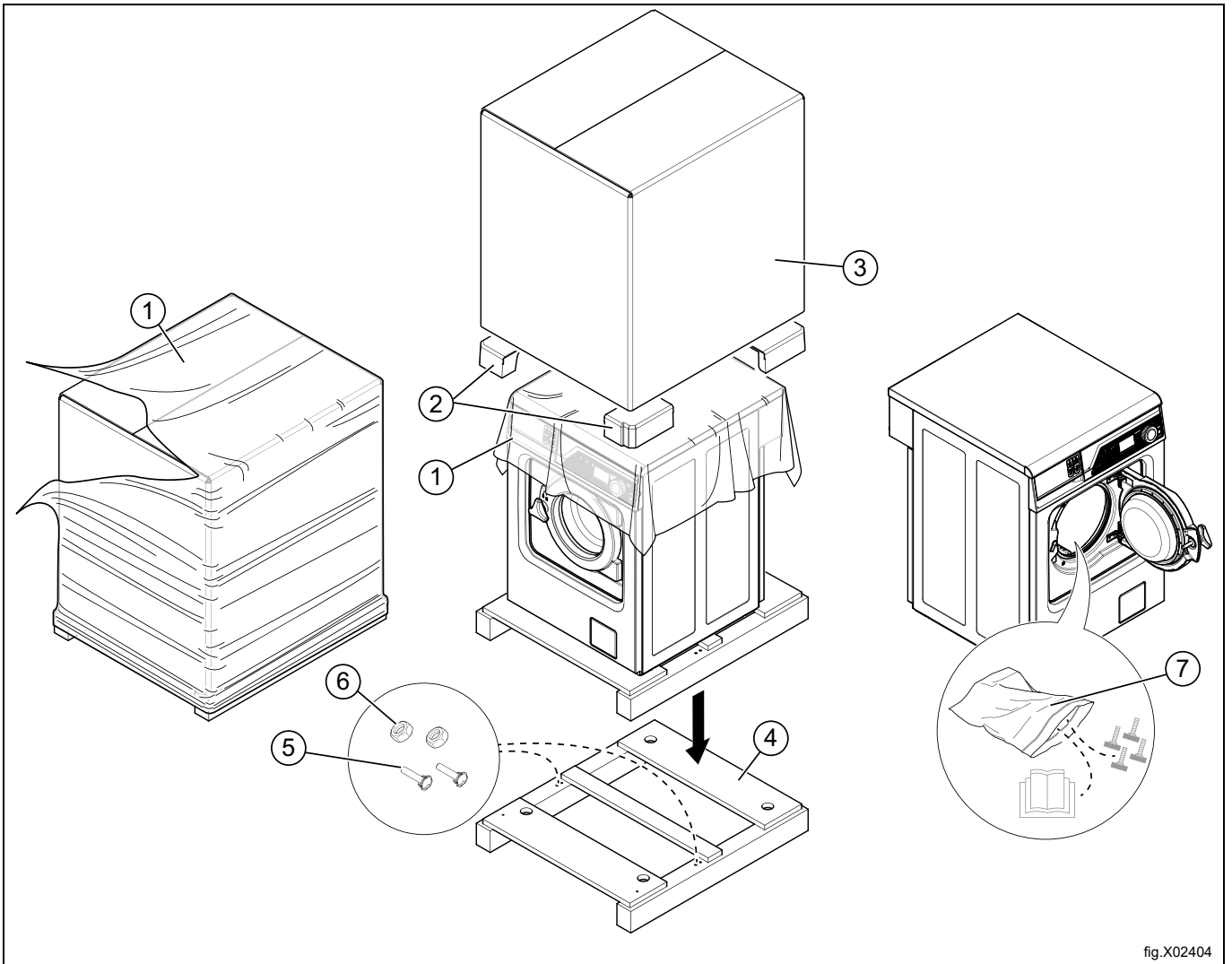


fig.X02404

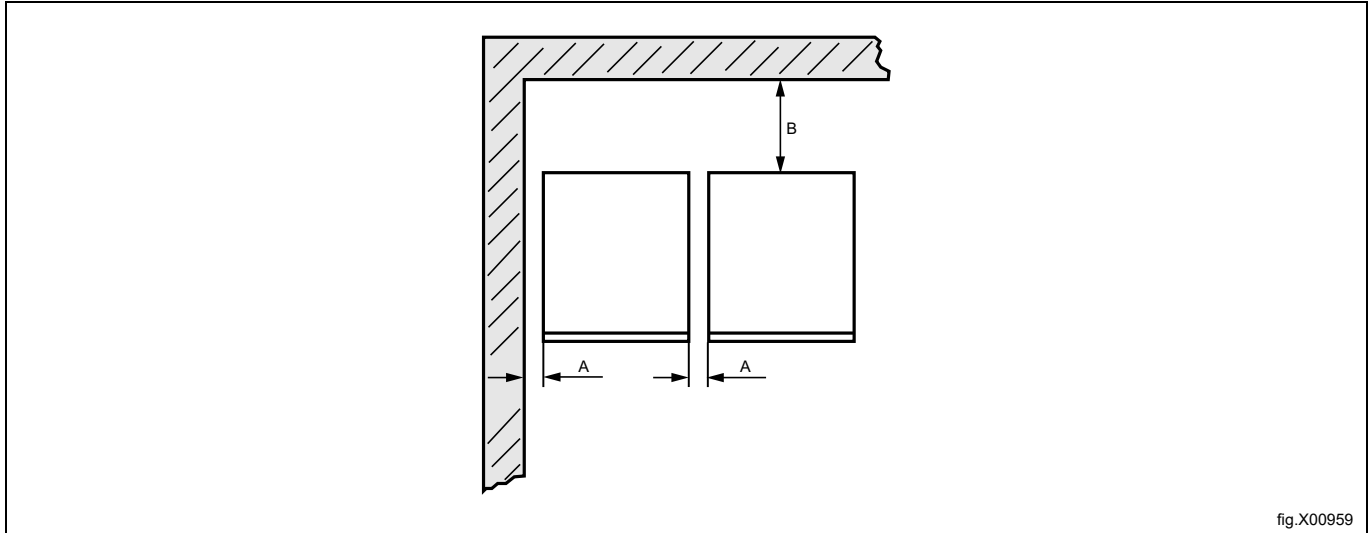
Fig.	Description	Code	Type
1	Wrapping film	LDPE 4	Plastics
2	Corner protection	PS 6	Plastics
3	Cardboard packaging	PAP 20	Paper
4	Pallet	FOR 50	Wood
5	Screw	FE 40	Steel
6	Nut	FE 40	Steel
7	Plastic bag	PET 1	Plastics

4.3 Siting

Install the machine close to a floor drain or open drain.

The machine should be positioned so that there is plenty of room for working, both for the user and service personnel.

The figure shows minimum distance to a wall and/or other machines. Failure to respect the prescribed distances will prevent easy access for maintenance and service operations.



A	25 mm
B	500 mm

4.4 Mechanical installation

If the machine is not to be mounted on a base the machine must be fastened to the floor.
 Mark and drill two holes (\varnothing 8 mm) about 40 mm deep.

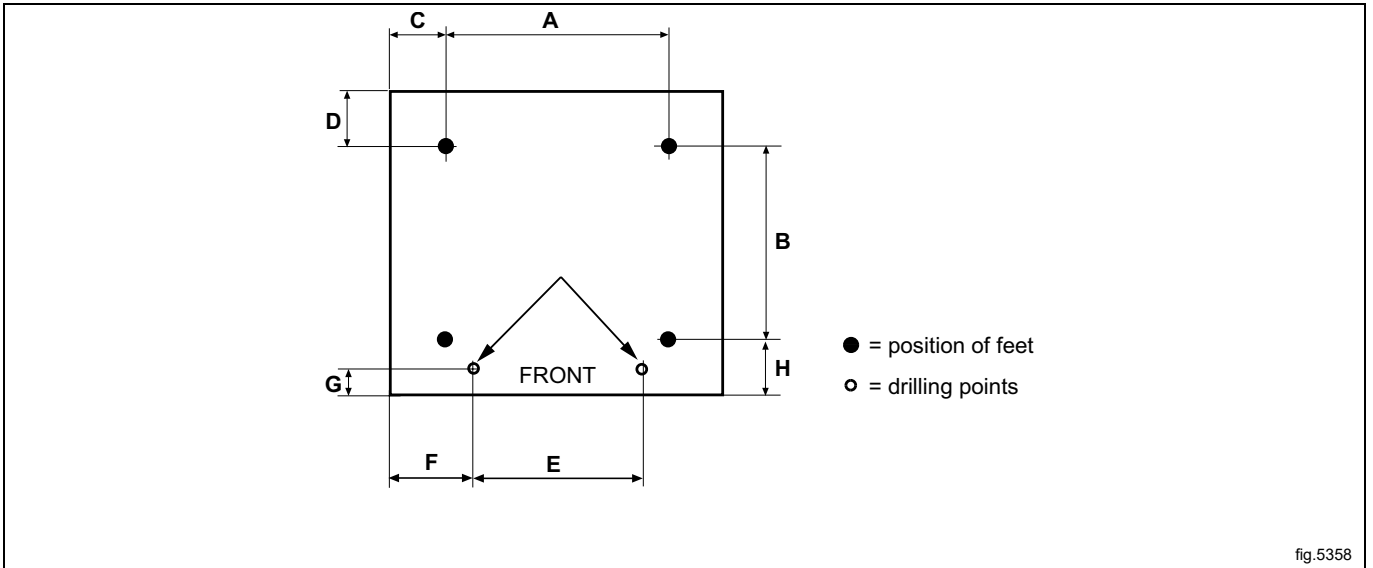


fig.5358

	A	B	C	D	E	F	G	H
mm	530	490	35	125	290	150	40	50

Place the machine over the two drilled holes. The holes are at the front of the machine.

Level the machine with the feet of the machine. Screw in the feet as much as possible before starting to level the machine. This will make the machine stand steadier.

Insert the expansion bolts supplied into the holes drilled in the floor. Fit the washers and nuts and tighten well.



It is of the upmost importance that the machine is placed in level, from side to side as well as front to rear.

5 Water connection

All water intake connections to the machine should be fitted with manual shut-off valves and filters, to facilitate installation and servicing.

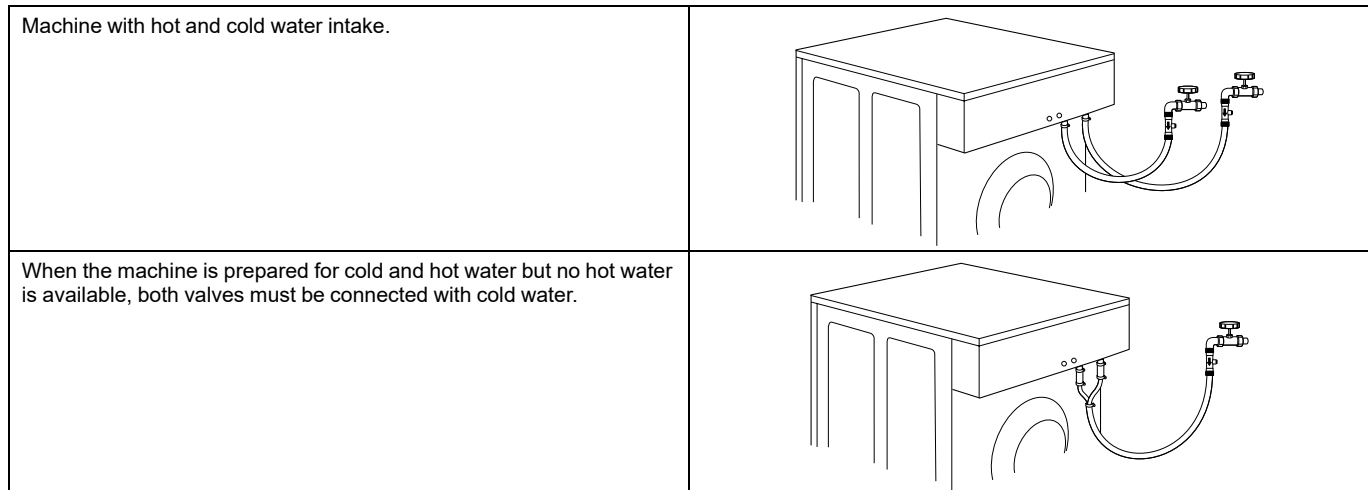
Water pipes and hoses should be flushed clean before installation.

The machine shall be connected with new water hoses. Re-used water hoses must not be used.

Hoses are to be of an approved type and grade and comply with IEC 61770 and any applicable local regulations.

After installation hoses must hang in gentle arcs.

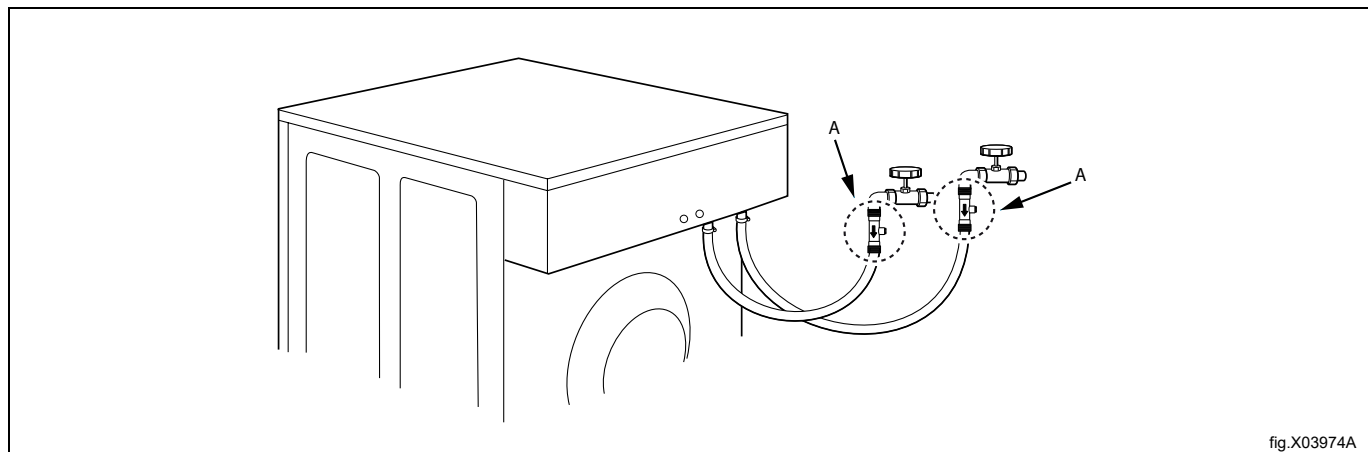
The machine can have one or two supply hoses.



Note!

The inlet temperature for cold water must not be higher than 25°C. If so, a water cooling system must be installed.

EU countries: A double check valve compliant with EN 13959 and an inlet hose compliant with EN 61770 shall be installed for each inlet (A).



Water pressure:

Continuous operating pressure: 50–800 kPa (0.5–80 kp/cm²)

Maximum: 1000 kPa (10 kp/cm²)

Recommended: 200–600 kPa (2–6 kp/cm²)

For WRAS-approved machines; always check connection requirements on WRAS website.

For KIWA-approved machines; always check connection requirements on KIWA website.

For NSF-approved machines; always check connection requirements on NSF website.

Plumbing

This machine is approved for all UK applications as suitable for category 5.

The product is listed in the WRAS regulations advisory scheme directory and is suitable for direct connection to mains drinking water. No special plumbing arrangements e.g. break tanks are required.

Water Council approved double check valves should be fitted in between the stopcocks and the water inlet hoses.

FOR AUSTRALIA:

The appliance shall be installed in accordance with the Plumbing Code of Australia (the PCA).

The appliance need to be installed using dual check valves.

Contact details for after sales service: service.au@electroluxprofessional.com

6 Water hardness and dosage

Check the water hardness at your location and adjust the dosage according to the tables. The tables shows different dosage for different programs.

A water hardness kit is available at Part No. 0S0586.

With full lagoon load

Water hardness range			ppm	Water softener	W01 - Lagoon Sensitive Detergent Sensitive Programs (Wool High, Wool Medium, Silk, Ties)		
°D	°F	°E			Dosage ED ml	Dosage ml/kg	ml/load
0-5	0-9	0-6	0-90	Not required	5.0	8.2	30
5-10	9-18	6-12	90-180	Preferable	6.0	9.8	36
10-15	18-27	12-19	180-270	Recommended	7.0	11.5	42
>15	>27	>19	>270	Highly recommended	7.5	12.3	45

Water hardness range			ppm	Water softener	W03 - Lagoon Sensitive Conditioner Sensitive Programs (Wool High, Wool Medium, Silk, Ties)		
°D	°F	°E			Dosage ED ml	Dosage ml/kg	ml/load
0-5	0-9	0-6	0-90	Not required	5.0	8.2	30
5-10	9-18	6-12	90-180	Preferable	6.0	9.8	36
10-15	18-27	12-19	180-270	Recommended	7.0	11.5	42
>15	>27	>19	>270	Highly recommended	7.5	12.3	45

Water hardness range			ppm	Water softener	W02 - Lagoon Delicate Detergent Delicate Programs (Mixed-Synthetics Medium, Mixed-Synthetics Low)		
°D	°F	°E			Dosage ED ml	Dosage ml/kg	ml/load
0-5	0-9	0-6	0-90	Not required	4.2	6.8	25
5-10	9-18	6-12	90-180	Preferable	5.0	8.2	30
10-15	18-27	12-19	180-270	Recommended	5.8	9.5	35
>15	>27	>19	>270	Highly recommended	6.7	10.9	40

Water hardness range			ppm	Water softener	W03 - Lagoon Sensitive Conditioner Delicate Programs (Mixed-Synthetics Medium, Mixed-Synthetics Low)		
°D	°F	°E			Dosage ED ml	Dosage ml/kg	ml/load
0-5	0-9	0-6	0-90	Not required	2.0	3.3	12
5-10	9-18	6-12	90-180	Preferable	2.5	4.1	15
10-15	18-27	12-19	180-270	Recommended	3.0	4.9	18
>15	>27	>19	>270	Highly recommended	3.3	5.3	20

Water hardness range			ppm	Water softener	W02 - Lagoon Delicate Detergent Delicate - 40°C *		
°D	°F	°E			Dosage ED ml	Dosage ml/kg	ml/load
0-5	0-9	0-6	0-90	Not required	6.0	6.0	36
5-10	9-18	6-12	90-180	Preferable	7.0	7.0	42
10-15	18-27	12-19	180-270	Recommended	8.0	8.0	48
>15	>27	>19	>270	Highly recommended	9.0	9.0	54

* Program ED-Dosage of 0.1 ml for W03 - Lagoon Sensitive Detergent in this program when creating ED-formula. Failing to do so will result in an error message of ED-Controller and freeze of the washer since a dosing signal (Signal 4 or 9) is present in wash program. If customer requires higher concentration of conditioner (fragrance/ handle) the ED-Dosage should be increased to 2.0 ml.

7 Connection of external dosing systems

7.1 Connection of the hoses

7.1.1 Machine equipped with hose nipple on the rear of the machine

The machine is prepared for connection of external dosing systems or water re-use systems etc.

EDS, Efficient Dosing System:

- Cut the top of the hose nipples to be used as shown in the figure.
- Connect the hoses to the hose nipples.

Venturi, Efficient Dosing System:

Note!

Connect the hose to the nipple at port (A) only.

- Cut the top of the hose nipple (A) as shown in the figure.
- Connect the hose to the hose nipple (A).

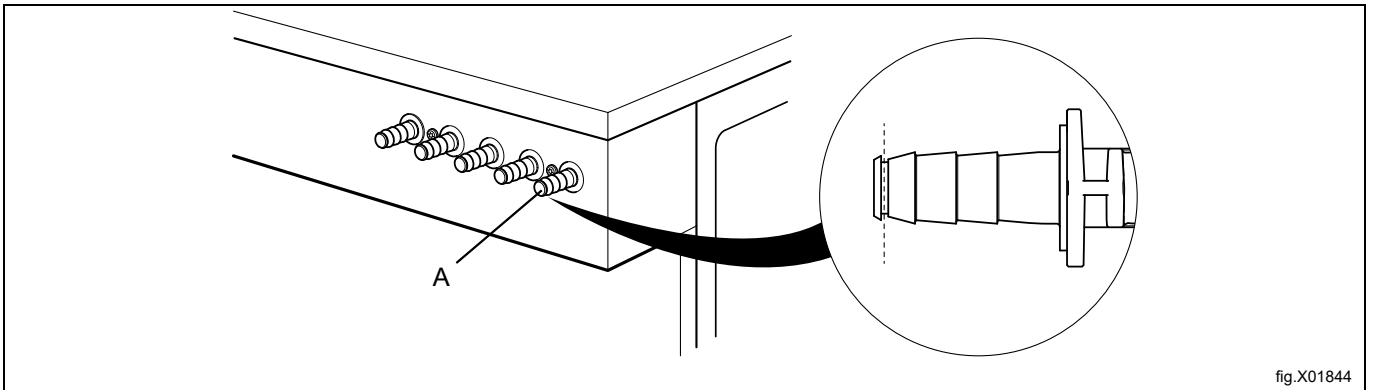


fig.X01844

Always connect hoses on connections with a hose clamp.

If the hoses are made of a soft material such as silicon or similar, use a cable tie to fasten the hose on the connection. If the hoses are made of a hard material, it is not recommended to make the connection tighter by using a cable tie.

The hoses must be protected from any sharp edge.

Note!

Equipment for external dosing must only be connected to work on pump pressure and not on network pressure.

7.1.2 Machine equipped with detergent container, without hose nipple on the rear of the machine

The machine is prepared for connection of external dosing systems or water re-use systems etc.

The connections are behind the detergent container and they are closed at delivery. Open any of the connections that shall be used by drilling a hole where the hose shall be connected.

Note!

Make sure there is no burrs left after drilling. When removing burrs make sure burrs does not fall into the detergent container.

EDS, Efficient Dosing System:

- Drill \varnothing 6 mm through the hose connections to be used as shown in the figure.
- Connect the hoses to the hose connections.

Venturi, Efficient Dosing System:

Note!

Connect the hose to the hose connection at port (B) only.

- Drill \varnothing 6 mm through the hose connection (B) to be used as shown in the figure.
- Connect the hoses to the hose connection (B).

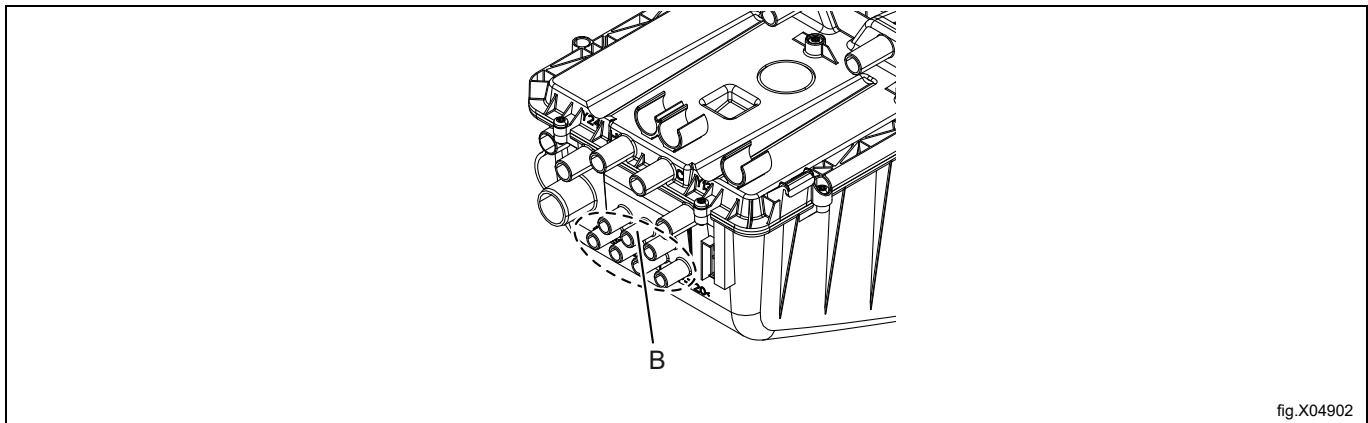


fig.X04902

Always connect hoses on connections with a hose clamp.

If the hoses are made of a soft material such as silicon or similar, use a cable tie to fasten the hose on the connection. If the hoses are made of a hard material, it is not recommended to make the connection tighter by using a cable tie.

The hoses must be protected from any sharp edge.

Note!

Equipment for external dosing must only be connected to work on pump pressure and not on network pressure.

7.2 Electrical connection of external dosing system



The power supply to the external dosing system must never be connected to the machine's incoming terminal block or to the edge connectors on the I/O-board.

7.2.1 Machine with connectors

Connect the external dosing system to connections A and B on the machine.

Connect the signal cable to B and the power supply to A.

For Efficient dosing system the cables are delivered with the machine.

Connect the power supply cable to the machine A and the other end of the cable together with the cable from Efficient Dosing in a connection box or with plug and receptacle.

Connect one end of the cable to the Efficient Dosing Controller J2 and the other end to the machine B.

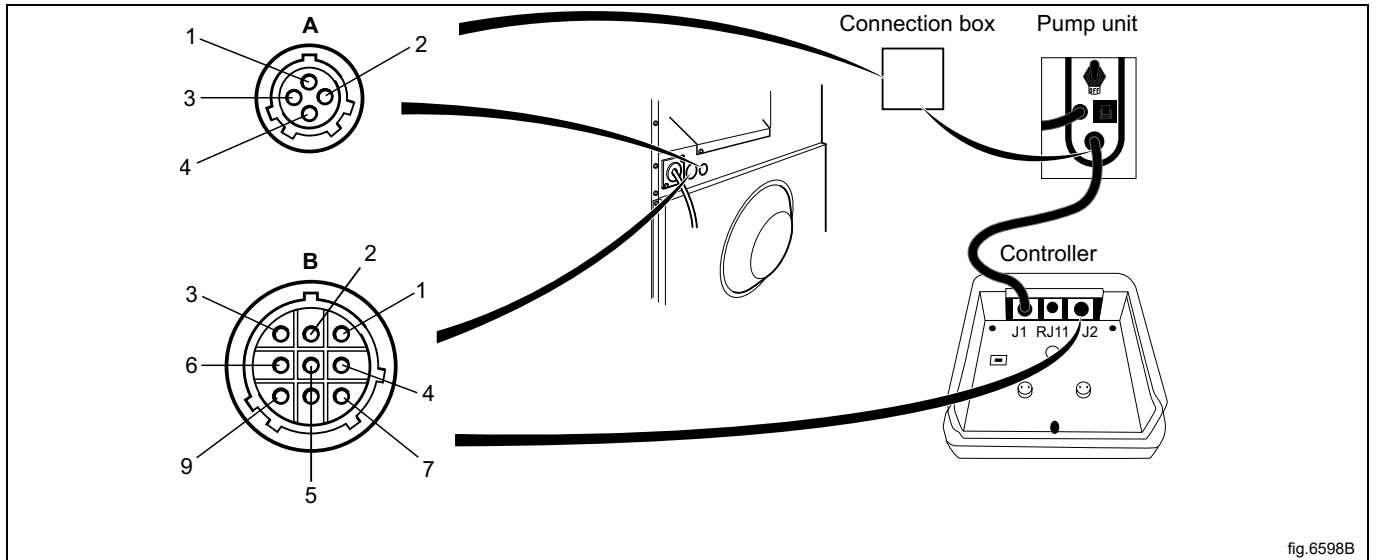


fig.6598B

A	
1	Line
2	Neutral
3	
4	Ground

B	
1	
2	
3	Gnd
4	
5	
6	
7	
8	Rx
9	Tx

Signal 1–5 are used in the Efficient dosing controller.

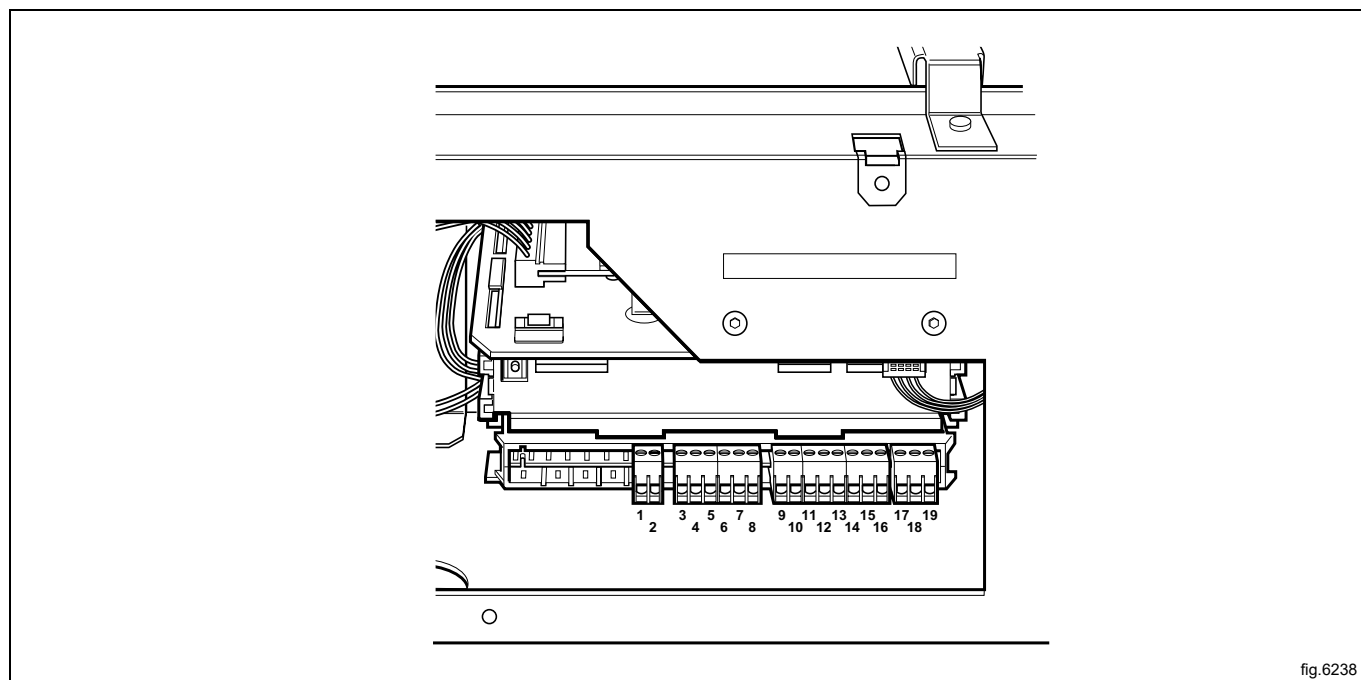
	6W02	6G01
Signal 1	Detergent Lagoon	-
Signal 2	-	Detergent Main wash
Signal 3	Conditioner Lagoon	-
Signal 4	All in one Lagoon	-
Signal 5	-	Bleach Main wash

7.2.2 Machine without connectors

Connect the external dosing system to the I/O board, which is located to the right of the incoming power supply.

The I/O board has edge connectors for connecting external dosing systems.

Edge connectors on the I/O board can be loosened for connecting cables.



- 11 = N
- 18 = Program run
- 12 = Signal 6
- 13 = Signal 7
- 14 = Signal 8
- 15 = Signal 9
- 16 = Signal 10

7.2.3 Outputs

Connect the power supply (e.g. 24V DC) for the external liquid supplies to 9 and 10. If an internal power supply (from the machine) is being used, it can be taken from 1 (N) and connected to 9 and from 2 (L) and connected to 10. Max load on the outputs 0.5 A.

Signals for external liquid supplies 6–10 are connected to 12-16 on the second I/O board type 2:

- 12 = Signal 6
- 13 = Signal 7
- 14 = Signal 8
- 15 = Signal 9
- 16 = Signal 10

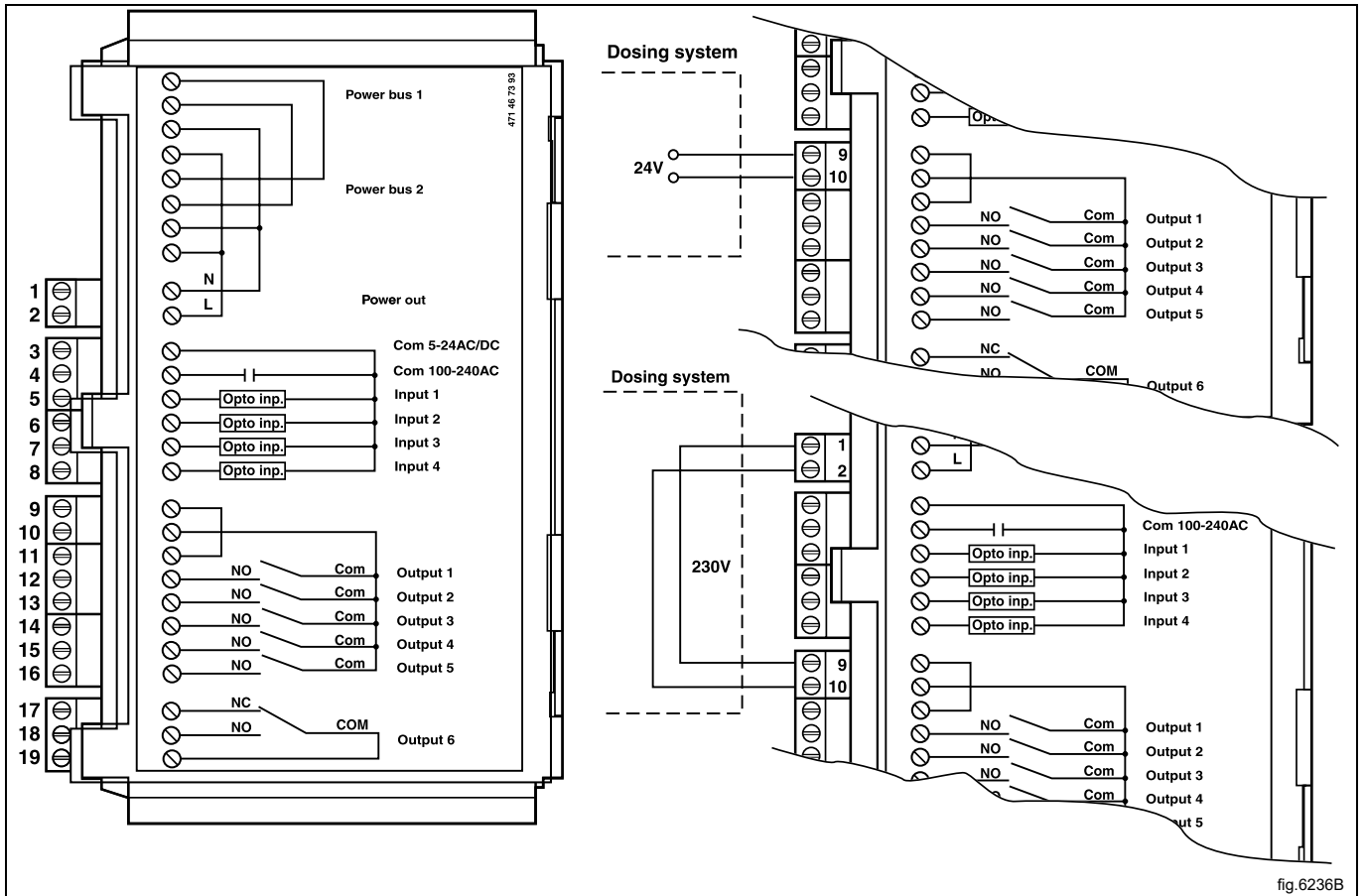


fig.6236B

	6W12	6G01
Signal 6	Detergent Lagoon	-
Signal 7	-	Detergent Main wash
Signal 8	Conditioner Lagoon	-
Signal 9	All in one Lagoon	-
Signal 10	-	Bleach Main wash

7.2.4 Inputs

The signal level can be 5-24V DC/AC or 100- 240V AC. For 5-24V, the signal reference is connected to 3 and for 100-240V to 4. Potentials on the inputs cannot be mixed.

Note!

The I/O board will be damaged if the voltage on connection 3 is too high > 24V.

Connection 8 may be connected if the program is to pause, e.g. while detergent is being dosed.

The figure shows an example of engaging a 24V pause signal. The program will pause for as long as the pause signal remains activated (high).

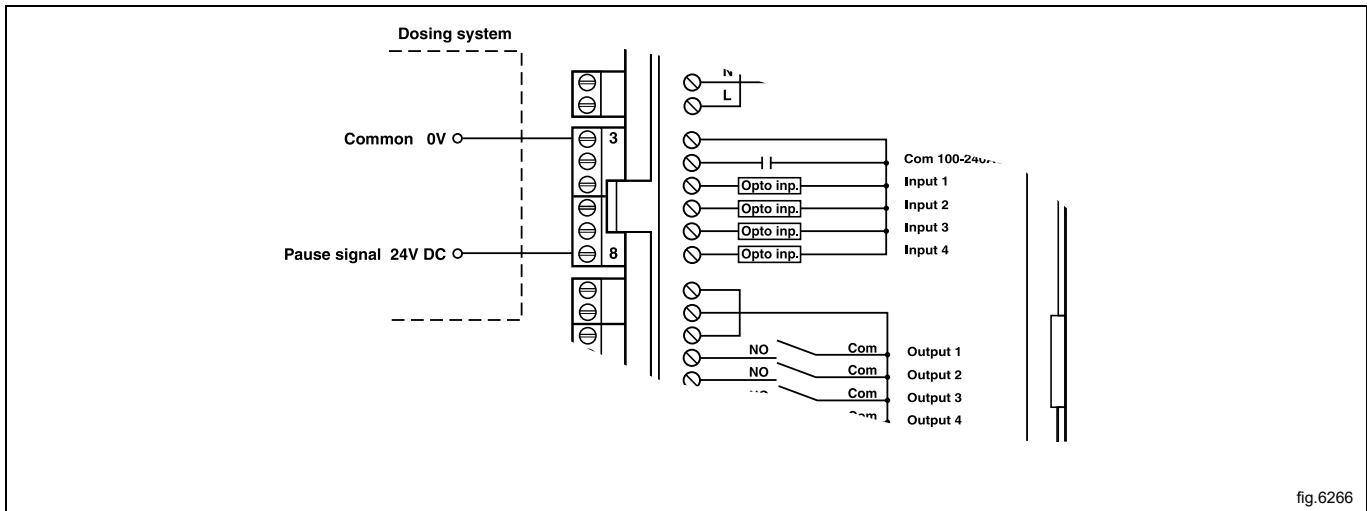


fig.6266

Connection 7. If this is connected, an error message will be displayed if any of the chemical tanks are empty. The program will continue, however.

The figure shows an example of engaging a normal open contact.

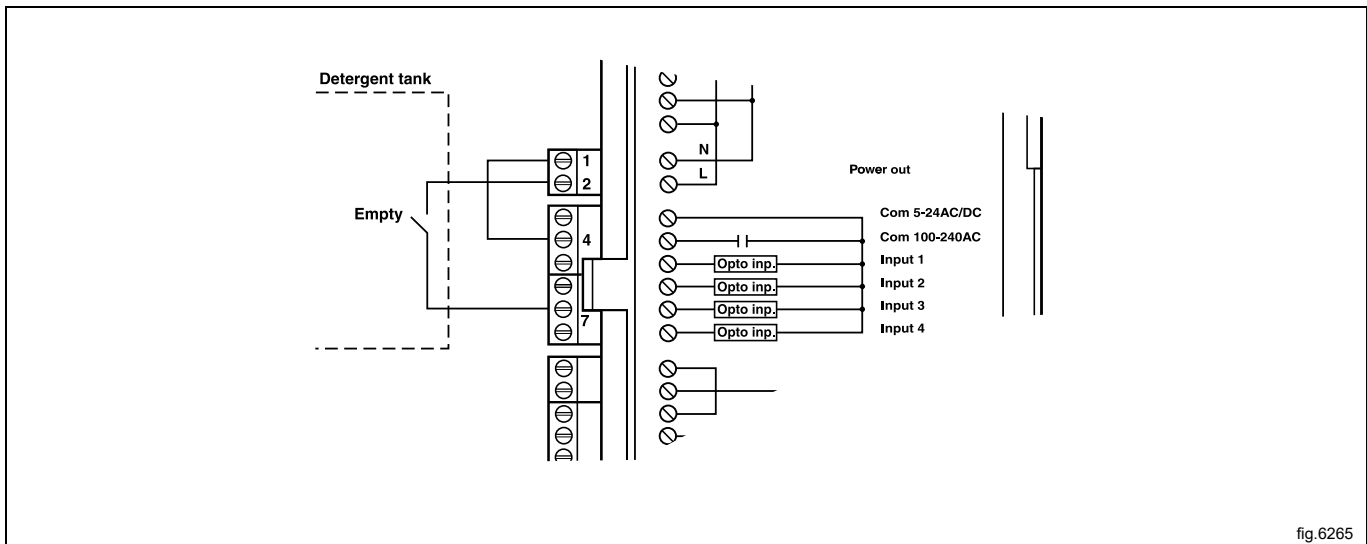


fig.6265

8 Drain connection

Drain pump

The drainage pipe should be located over a floor drain, drainage channel or the like.

The highest part of the drain hose shall be positioned according to the figure.

Make sure there is no kinks in the hose.

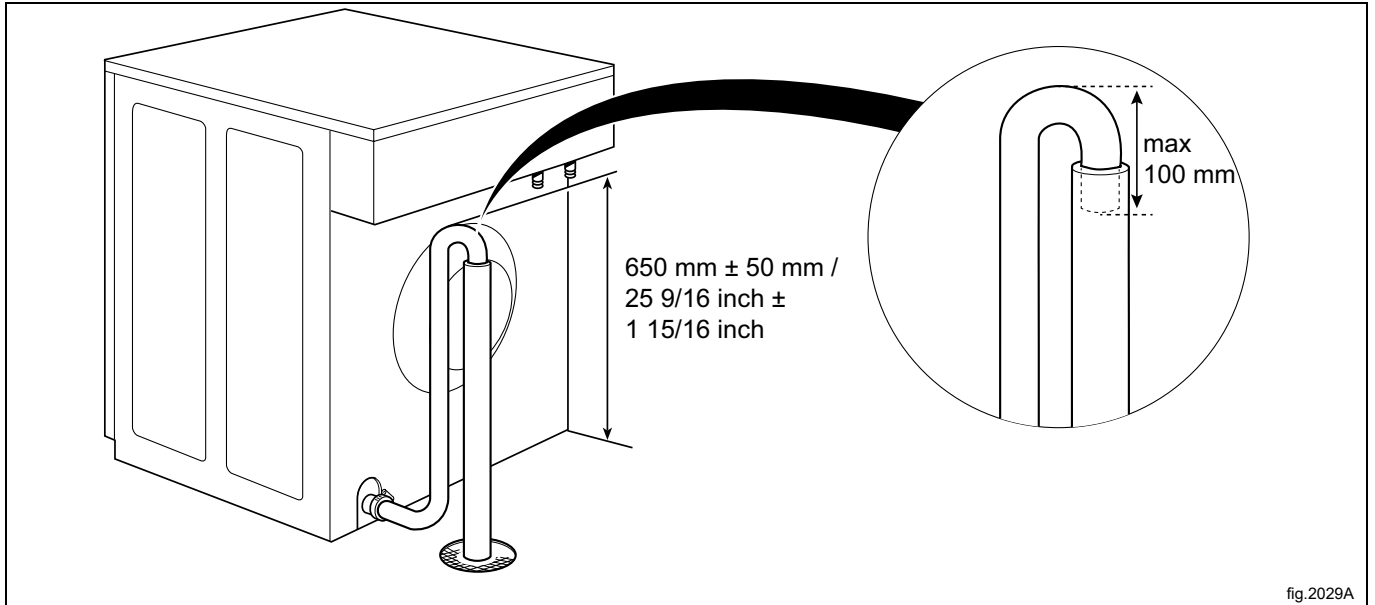


fig.2029A

9 Electrical connection

9.1 Electrical installation



The electrical installation may only be carried out by qualified personnel.



In accordance with the wiring rules: mount a multi-pole switch prior to the machine to facilitate installation and service operations.

Connect the machine's cable to the switch.

Check that the earth has been connected in the correct way.

For the rating of the supply cable, check the local regulations. Min. outer diameter for supply cable \varnothing 10 mm.

The connecting cable shall hang in a gentle curve.

For AU/NZ: Fixed wiring is in accordance with AS/NZS 3000.

9.2 Electrical connections

Heating alternative	Main voltage	Hz	Heating power kW	Total power kW	Recommended fuse A
Electric heated	220–240V 1N ~	50/60	2.2/2.8	2.4/3.0	16
	220–240V 1N ~	50/60	4.4	4.6	20
	220–230V 1N ~	50/60	4.4	4.6	25
	220–240V 3 ~	50/60	4.4	4.6	16
	220–230V 3 ~	50/60	4.4	4.6	20
	380–415V 3N ~	50/60	4.4	4.6	10
	380-415V 3 ~	50/60	3.6	3.8	10
	440V/480 3 ~	50/60	4.0/4.4	4.3/4.7	10
Non heated	100–240V 1/1N ~	50/60	-	0.5	10

9.3 Machine connection

The machine can be switched/reconnected to the following options.

<p>Connection option 380–415V/3N~ 4.4 kW Electric heated</p>	
<p>Connection option 380–415V/3~ 4.4 kW Electric heated</p>	
<p>Connection option 208–240V/3~ 4.4 kW Electric heated</p>	
<p>Connection option 208–240V/1~ 4.4 kW Electric heated</p>	
<p>Connection option 208–240V/1N~ 4.4 kW Electric heated</p>	
<p>Connection option 208–240V/1~ 2.2 kW Electric heated</p>	
<p>Connection option 208–240V/1N~ 2.2 kW Electric heated</p>	

<p>Connection option 208–240V/1~ 2.2 kW Electric heated</p>	
<p>Connection option 208–240V/1N~ 2.2 kW Electric heated</p>	
<p>Connection option 100–240V/1N~ Non heated</p>	
<p>Connection option 100–240V/1~ Non heated</p>	



Reconnection/switchover of this type can not be performed on machines fitted with a transformer.
The machine can not be switched from 50 Hz to 60 Hz or vice versa.
In cases where the machine data plate does not state the new voltage option, this should be added to the machine data plate.

10 At first power up

When the installation is complete and the power is connected for the first time you will be forced to make the following settings. When one setting is ready you will automatically enter the next one.

- Select language
- Set time and date
- Activate/deactivate the service alarm

For more information about the following settings please refer to the Programming and configuration manual.

10.1 Select language

Select language from the list on the display.

This will be the language that all display messages, program names etc will be presented in.

10.2 Set time and date

Select **YES** and press the control knob to get to the menu **TIME/DATE**.

Activate the **SET TIME** menu and set the correct time.

Save the settings.

Activate the **SET DATE** menu and set the correct date. Start by setting the year.

- Set the year. Exit to continue with a long press on the control knob.
- Set the month. Exit to continue with a long press on the control knob.
- Set the day. Exit with a long press on the control knob and then save with a long press on the control knob.

Exit the menu when ready.

11 Function check



May only be carried out by qualified personnel.



A function check must be made when the installation is finished and before the machine can be ready to be used.

Open the manual water valves.

Start a program.

- Check that the drum rotates normally and that there are no unusual noises.
- Check that there are no leaks in water supply/drain connections.
- Check that water passes through the detergent container.
- Check that the door cannot be opened during a program.

Ready to use

If all tests are OK the machine is now ready to be used.

If some of the tests failed, or deficiencies or errors are detected, please contact your local service organisation or dealer.

12 Disposal information

12.1 Appliance recyclability and disposal

12.1.1 Recyclability

Our appliances are manufactured using a significant percentage of recyclable metals (such as stainless steel, iron, aluminium, galvanized sheet, copper, etc.), which can be recovered through the local recycling systems, in compliance with the regulations in force in the country of use.

National regulations regarding waste disposal may vary. Disposal of the appliance must therefore be carried out in accordance with the applicable legislation and the directives issued by the competent authorities in the country where the appliance is decommissioned.

The components of the appliance must be separated and disposed of in accordance with their material composition (e.g. metals, oils, greases, plastics, rubber, refrigerant gases, insulating boards and other insulating material, glass wool, LEDs, etc.) and in full compliance with applicable local and international waste management regulations.

Compressors may contain oils and refrigerants fluids - are special waste and has to be recycled on local bases regulations.

12.1.2 Procedure regarding appliance disposal and component / material recovery

This product should not simply be disposed of in the environment at the end of its life cycle; it is imperative instead either to dispose of it in accordance with local environmental regulations, or, preferably, to deliver it whole to an authorized recycling center.

All removed components, including doors and other structural parts, must be delivered together with the appliance to an authorized recycling or dismantling facility.

The dismantling/recycling center will apply state of the art technologies and methods available to them to effectively disassemble the products for best recyclability.

Note that printed circuit boards, electrical motors or other components identified in European Union legislation to be of high critical raw materials recovery potential need to be addressed specifically.

In case of doubts or questions, always refer to your reference customer care service.

Before disposing of the appliance, carefully inspect its physical condition and preservation state, checking for potential leaks of liquids or gases, as well as for broken parts that may pose hazards during handling and subsequent dismantling.



The symbol on the product indicates that this product should not be treated as domestic waste, but must be correctly disposed of in order to prevent any negative consequences for the environment and human health. For further information on the recycling of this product, contact the local dealer or agent, the customer care service or the local body responsible for waste disposal.




Note!

When dismantling the appliance, any marking, this manual and other documents concerning the appliance must be destroyed.

12.2 Disposal of packing

The packing must be disposed of in compliance with the current regulations in the country where the appliance is used. All the packing materials are environmentally friendly.

They can be safely kept, recycled or burned in an appropriate waste incineration plant. Recyclable plastic parts are marked as following examples.

	Polyethylene: <ul style="list-style-type: none"> • Outer wrapping • Instructions bag
	Polypropylene: <ul style="list-style-type: none"> • Straps
	Polystyrene foam: <ul style="list-style-type: none"> • Corner protectors



Electrolux Professional AB
341 80 Ljungby, Sweden
www.electroluxprofessional.com