

User manual

Drying cabinet

DC6–15



Electrolux
PROFESSIONAL

Contents

Contents

1	Safety Precautions	5
1.1	General safety information.....	5
1.2	Symbols.....	5
2	Warranty terms and exclusions.....	6
3	Appliance layout.....	7
4	Air flow	8
5	Operation	9
5.1	Operation	9
5.2	Program description	10
5.3	Overheat protection	10
5.4	Filters.....	11
6	Maintenance	12
7	Servicing	13
8	Disposal information	14
8.1	Disposal of appliance at end of life	14
8.2	Disposal of packing.....	14

The manufacturer reserves the right to make changes to design and component specifications.

1 Safety Precautions

This appliance can be used in public areas.

Remove all objects from pockets such as lighters and matches.

WARNING. This appliance is intended only for drying textiles washed in water.

DO NOT MODIFY THIS APPLIANCE.

Servicing shall be carried out only by authorized personnel.

Only authorized spare parts shall be used.

When performing service or replacing parts, the power must be disconnected.

The sound pressure level is found in Technical Data.

Additional requirements for the following countries: AT, BE, BG, HR, CY, CZ, DK, EE, FI, FR, DE, GR, HU, IS, IE, IT, LV, LT, LU, MT, NL, NO, PL, PT, RO, SK, SI, ES, SE, CH, TR, UK:

- This appliance can be used in public areas.
- This appliance can be used by children aged from 8 years and above and persons with reduced physical, sensory or mental capabilities or lack of experience and knowledge if they have been given supervision or instruction concerning use of the appliance in a safe way and understand the hazards involved. Children shall not play with the appliance. Cleaning and user maintenance shall not be made by children without supervision.

Additional requirements for other countries:




- This appliance is not intended for use by persons (including children) with reduced physical, sensory or mental capabilities, or lack of experience and knowledge, unless they have been given supervision or instruction concerning use of the appliance by a person responsible for their safety. Children should be supervised to ensure that they do not play with the appliance.

1.1 General safety information

Do not hose down the machine with water.

In order to prevent damage to the electronics (and other parts) that may occur as the result of condensation, the machine should be placed in room temperature for 24 hours before being used for the first time.

1.2 Symbols

	Caution
	Caution, hot surface
	Read the instructions before using the machine.

2 Warranty terms and exclusions

If the purchase of this product includes warranty coverage, warranty is provided in line with local regulations and subject to the product being installed and used for the purposes as designed, and as described within the appropriate equipment documentation.

Warranty will be applicable where the customer has used only genuine spare parts and has performed maintenance in accordance with Electrolux Professional user and maintenance documentation made available in paper or electronic format.

Electrolux Professional strongly recommends using Electrolux Professional approved cleaning, rinse and descaling agents to obtain optimal results and maintain product efficiency over time.

The Electrolux Professional warranty does not cover:

- service trips cost to deliver and pick up the product;
- installation;
- training on how to use/operate;
- replacement (and/or supply) of wear and tear parts unless resulting from defects in materials or workmanship reported within one (1) week from the failure;
- correction of external wiring;
- correction of unauthorized repairs as well as any damages, failures and inefficiencies caused by and/or resulting from:
 - insufficient and/or abnormal capacity of the electrical systems (current/voltage/frequency, including spikes and/or outages);
 - inadequate or interrupted water supply, steam, air, gas (including impurities and/or other that does not comply with the technical requirements for each appliance);
 - plumbing parts, components or consumable cleaning products that are not approved by the manufacturer;
 - customer's negligence, misuse, abuse and/or non-compliance with the use and care instructions detailed within the appropriate equipment documentation;
 - improper or poor: installation, repair, maintenance (including tampering, modifications and repairs carried out by third parties not authorized third parties) and modification of safety systems;
 - Use of non-original components (e.g.: consumables, wear and tear, or spare parts);
 - environment conditions provoking thermal (e.g. overheating/freezing) or chemical (e.g. corrosion/oxidation) stress;
 - foreign objects placed in- or connected to- the product;
 - accidents or force majeure;
 - transportation and handling, including scratches, dents, chips, and/or other damage to the finish of the product, unless such damage results from defects in materials or workmanship and is reported within one (1) week of delivery unless otherwise agreed;
- product with original serial numbers that have been removed, altered or cannot be readily determined;
- replacement of light bulbs, filters or any consumable parts;
- any accessories and software not approved or specified by Electrolux Professional.

Warranty does not include scheduled maintenance activities (including the parts required for it) or the supply of cleaning agents unless specifically covered within any local agreement, subject to local terms and conditions.

Check on Electrolux Professional website the list of authorized customer care.

3 Appliance layout

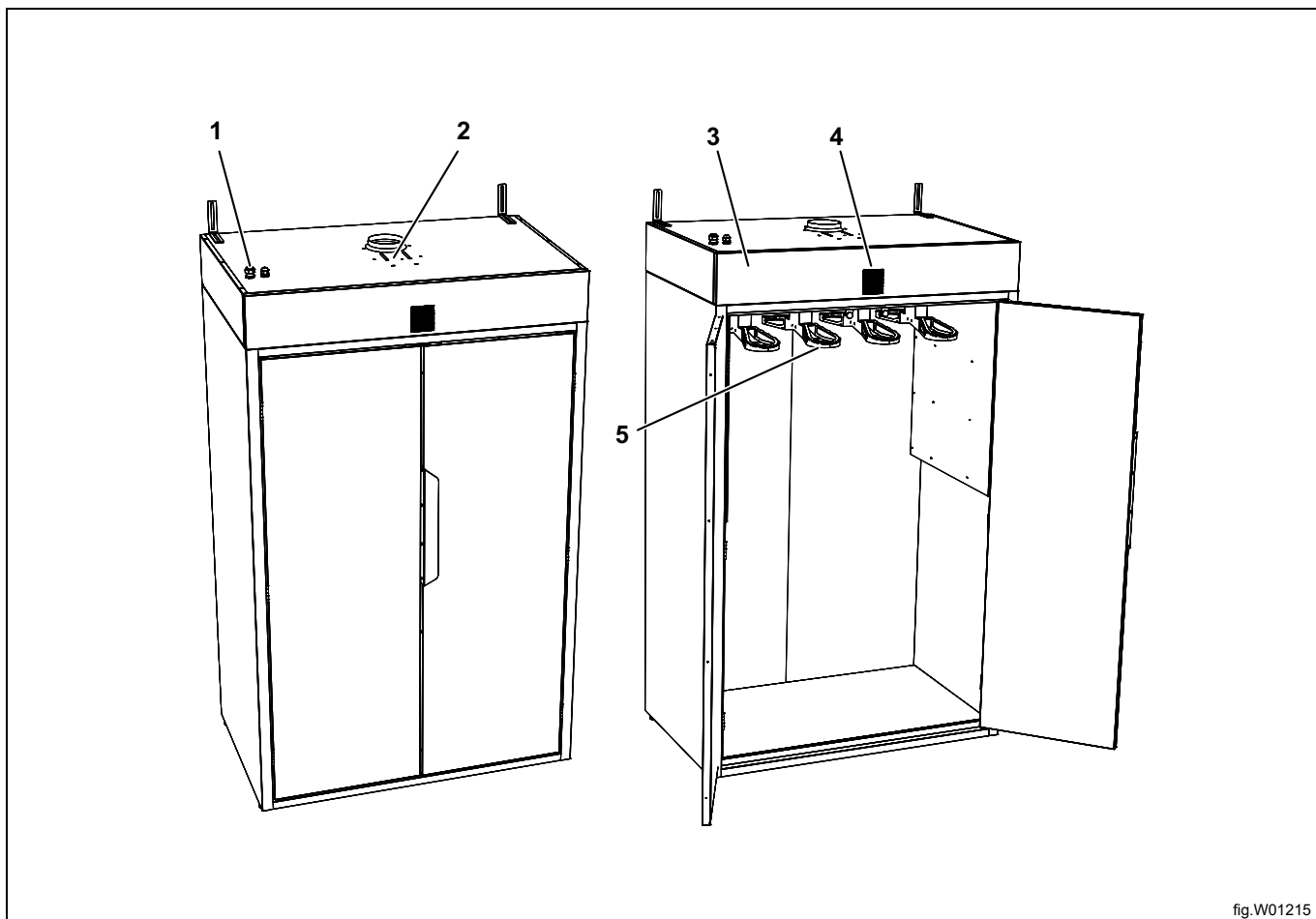


fig.W01215

1	Hole for power cord
2	Damper
3	Fan unit / Electrical control unit (behind the panel)
4	Control panel
5	Hanger

4 Air flow

The figure shows the air flow in the drying cabinet.

Air is blown in on the left and right sides as well as through the hangers.

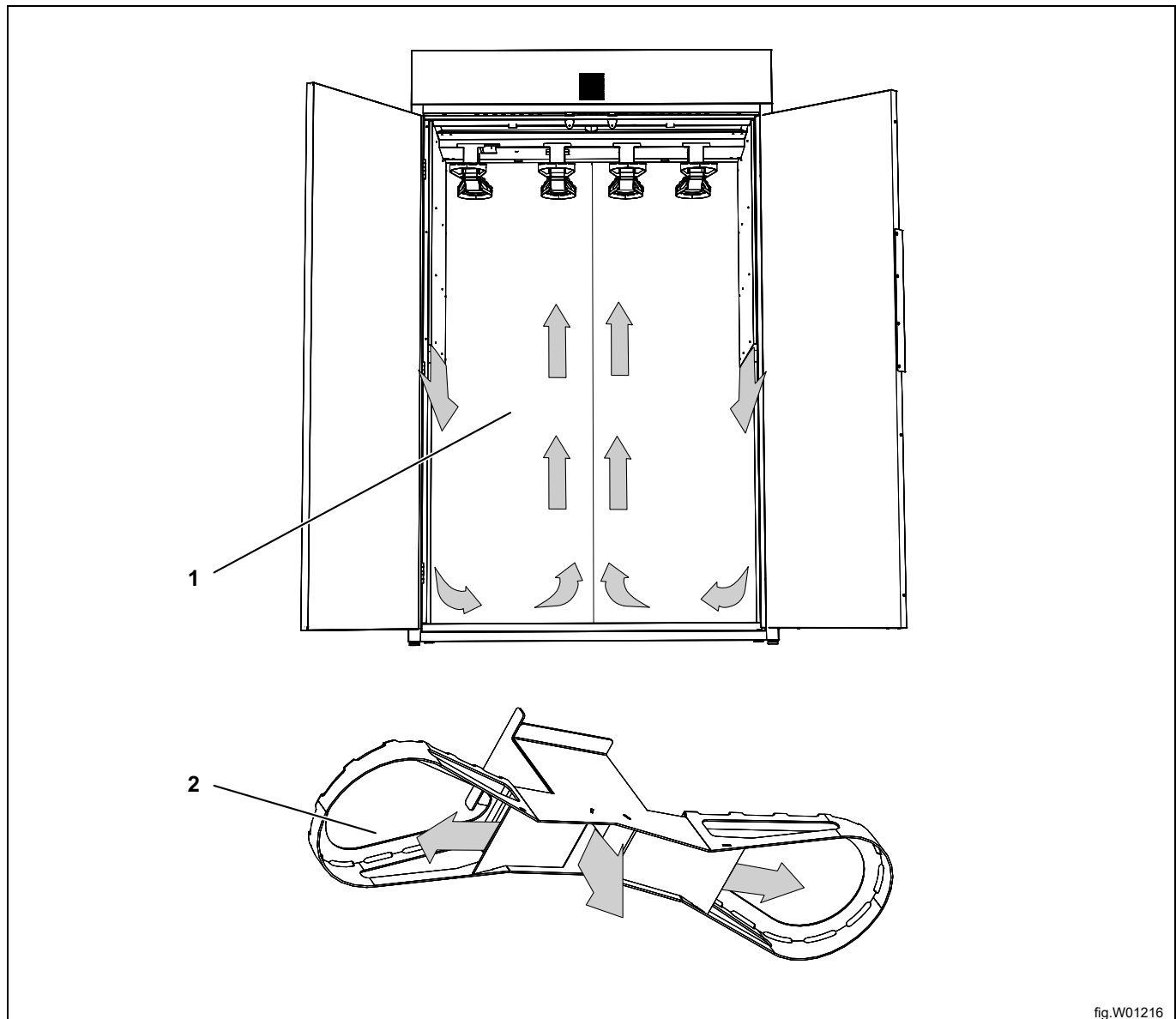


fig.W01216

1	Air flow in the cabinet
2	Air flow in the hangers

5 Operation

5.1 Operation

Pull the hangers out of the drying cabinet to hang the garments. Each hanger can hold a complete set of work clothes.

Place the loops of the pants over the hanger and then hang the jacket. Place the hanger in one of the four support rails. Use the supplied cover plates in the air outlets that are not being used.

For optimum energy efficient drying, operate with a full load and do not open the doors until the appliance has stopped.



fig.W01217

Select a drying program (A). The lamp indicates which program has been selected (B). Drying will start when the program button is pressed.

The drying cabinet will stop automatically when the laundry is dry and the program will switch over to cool-down.

To cancel the drying cycle, press the stop button (C).

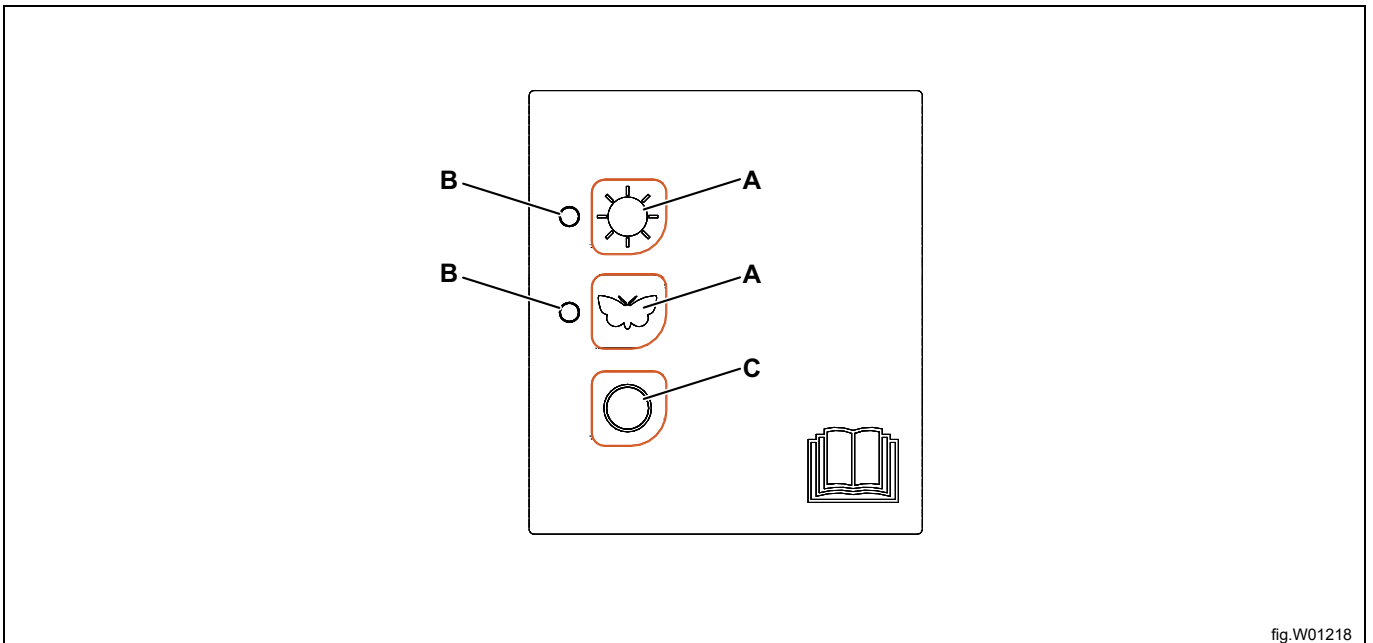


fig.W01218

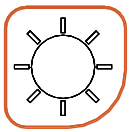

Pause

Open one of the doors to pause the drying cycle. The heat will be turned off, but the fan will continue to run for five minutes. The lamp for the paused drying program will flash during these five minutes.

If the door is closed during this five-minute period, the paused drying program will resume.

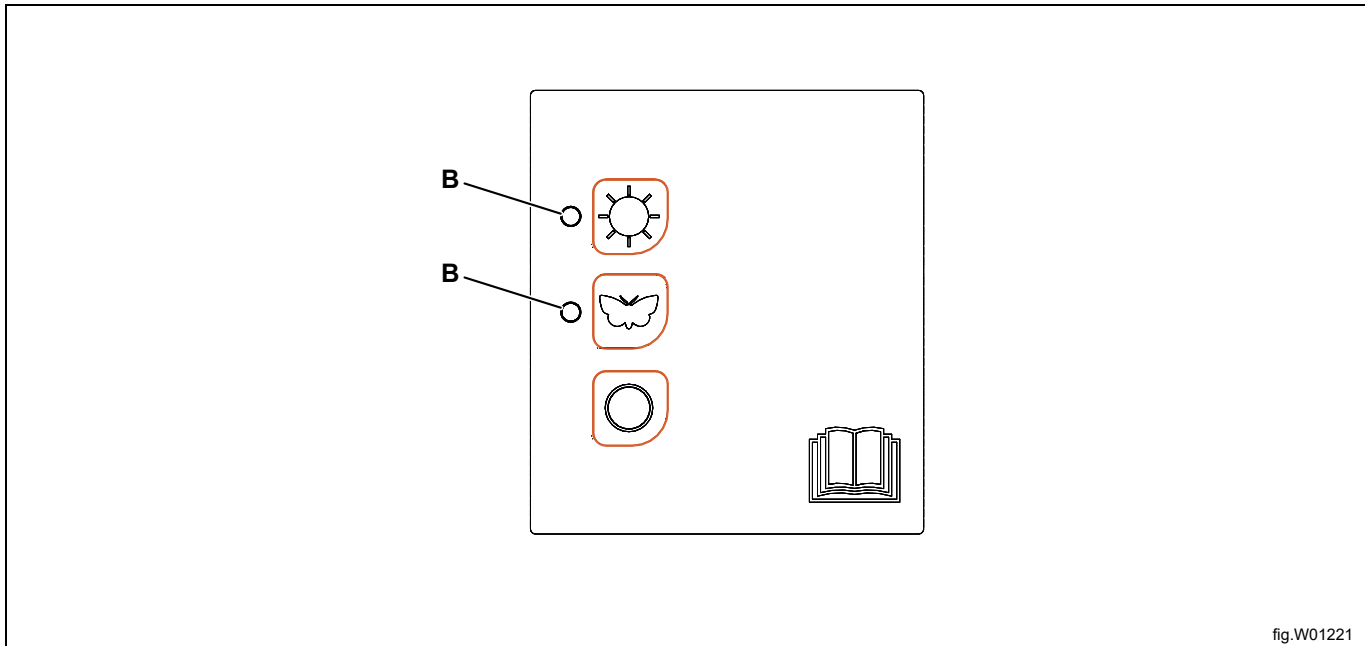
If the door is not closed during this five-minute period, the drying program is stopped and must be restarted manually.

5.2 Program description

	Drying at a high temperature for impregnation
	Drying at a low temperature

The drying programs are divided into two sequences, as indicated by the lamp (B):

1. Drying: The lamp (B) remains lit.
2. Cool-down period: The lamp (B) flashes.



5.3 Overheat protection

The drying cabinet is equipped with an overheat protection function that is reset automatically.

When the overheat protection has been activated, the drying cabinet will not be able to start.

Once the temperature inside the drying cabinet has returned to normal (this can take up to 10–15 minutes), the drying cabinet can be started again.

Check that the filter (see 5.4 *Filters*) is clean before starting the cabinet. If the filter is not clogged and the cabinet does not start, contact the supplier or service personnel.

5.4 Filters

The drying cabinet has four filters located in the cabinet ceiling – two at the front edge and two at the rear edge.

Note!

The drying cabinet must not be used if any of the filters are removed.

Note!

The user is responsible for checking and cleaning the filters after each drying program.

Remove the filters by pulling the handle.

Clean all four filters on both sides.

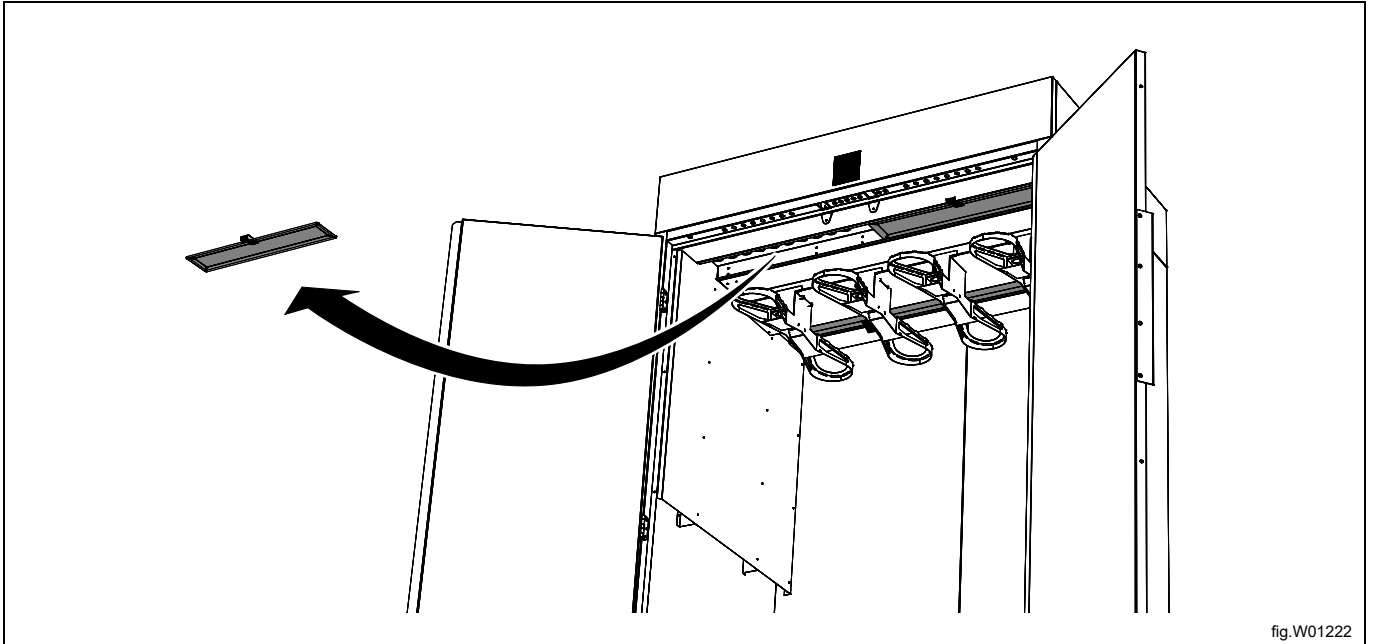


fig.W01222

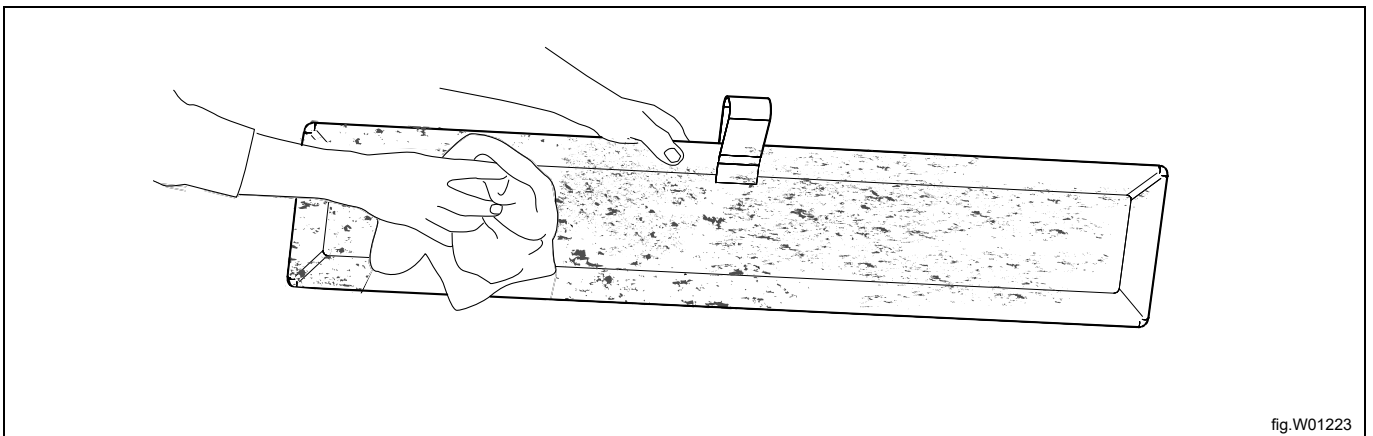


fig.W01223

Reinstall the filter and press it into place.

6 Maintenance

It is the responsibility of the owner of the appliance/the laundry manager to make sure that maintenance is performed regularly.

Note!

Lack of maintenance may deteriorate the performance of the appliance and may cause damage to components.

Every day

Clean the doors and other external parts.

Clean the filters and check for damage. Replace if needed.

Remove any lint and dust from inside and around the appliance.

7 Servicing

Before contacting the service department, you should find out the name, article number and serial number of the drying cabinet.

This information can be found on the identification plate (A) located inside the cabinet.

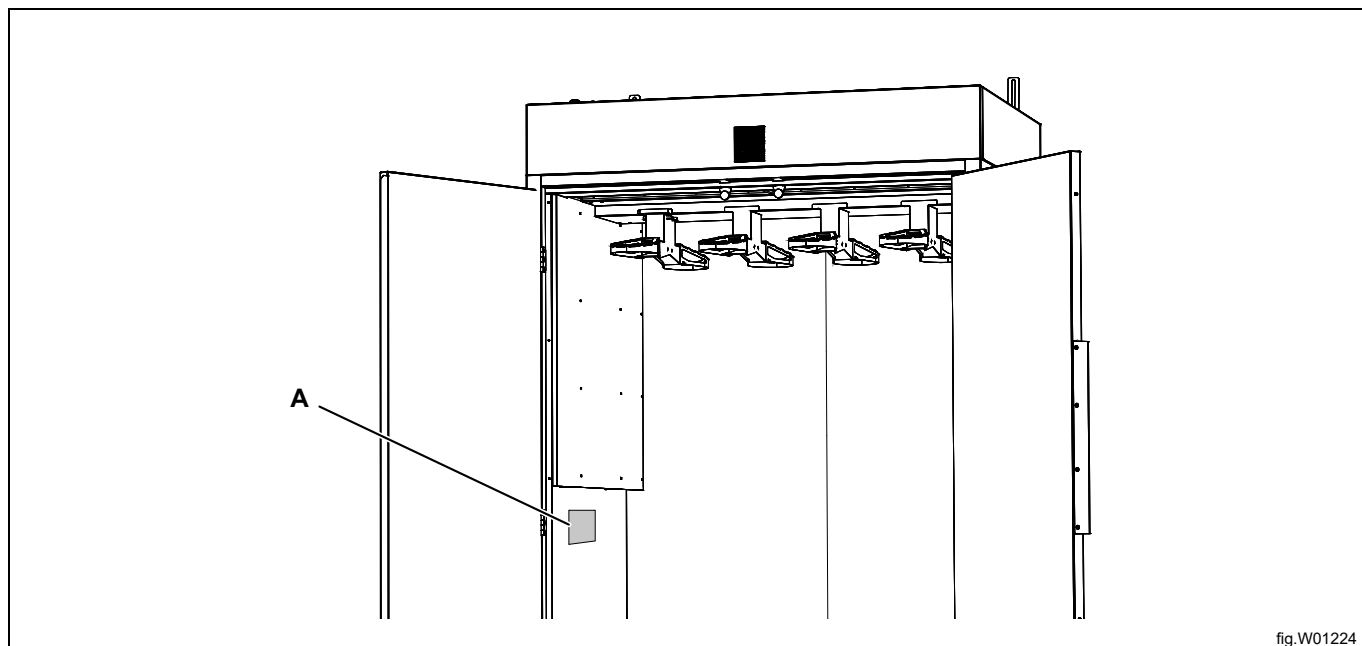


fig.W01224

8 Disposal information

8.1 Disposal of appliance at end of life

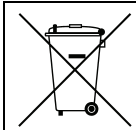
Before disposing of the machine, make sure to carefully check its physical condition, and in particular any parts of the structure that can give or break during scrapping.

The machine's parts must be disposed of in a differentiated way, according to their different characteristics (e.g. metals, oils, greases, plastic, rubber, etc.).

Different regulations are in force in the various countries, therefore comply with the provisions of the laws and competent bodies in the country where scrapping takes place.

In general, the appliance must be taken to a specialised collection/scrapping centre.

Dismantle the appliance, grouping the components according to their chemical characteristics, remembering that the compressor contains lubricant oil and refrigerant fluid which can be recycled, and that the refrigerator and heat pump components are special waste assimilable with urban waste.



The symbol on the product indicates that this product should not be treated as domestic waste, but must be correctly disposed of in order to prevent any negative consequences for the environment and human health. For further information on the recycling of this product, contact the local dealer or agent, the Customer Care service or the local body responsible for waste disposal.



Note!

When scrapping the machine, any marking, this manual and other documents concerning the appliance must be destroyed.

8.2 Disposal of packing

The packing must be disposed of in compliance with the current regulations in the country where the appliance is used. All the packing materials are environmentally friendly.

They can be safely kept, recycled or burned in an appropriate waste incineration plant. Recyclable plastic parts are marked as following examples.

	Polyethylene: <ul style="list-style-type: none"> • Outer wrapping • Instructions bag
	Polypropylene: <ul style="list-style-type: none"> • Straps
	Polystyrene foam: <ul style="list-style-type: none"> • Corner protectors



Electrolux Professional AB
341 80 Ljungby, Sweden
www.electroluxprofessional.com