

# User manual

## Drying cabinet

DC6-4HP



**Electrolux**  
PROFESSIONAL



# Contents

---

## Contents

1	Safety Precautions .....	5
1.1	General safety information.....	5
1.2	Symbols.....	5
2	Warranty terms and exclusions.....	6
3	Appliance layout.....	7
3.1	Components.....	7
3.2	Drying principle.....	7
3.3	Air flow.....	8
4	Operation .....	9
4.1	Advice and tips for using the drying cabinet with dehumidifier .....	9
4.2	Operation.....	9
4.3	Program description.....	9
4.4	Loads .....	10
5	Maintenance .....	11
6	Servicing .....	12
7	Troubleshooting .....	13
8	Error codes .....	14
9	Disposal information .....	15
9.1	Disposal of appliance at end of life .....	15
9.2	Disposal of packing.....	15

The manufacturer reserves the right to make changes to design and component specifications.



## 1 Safety Precautions

**WARNING.** This appliance is intended only for drying textiles washed in water.

**DO NOT MODIFY THIS APPLIANCE.**

Servicing shall be carried out only by authorized personnel.

Only authorized spare parts shall be used.

When performing service or replacing parts, the power must be disconnected.

A-weighted emission sound pressure level at workstations: <70 dB

Additional requirements for the following countries: AT, BE, BG, HR, CY, CZ, DK, EE, FI, FR, DE, GR, HU, IS, IE, IT, LV, LT, LU, MT, NL, NO, PL, PT, RO, SK, SI, ES, SE, CH, TR, UK:

- This appliance can be used in public areas.
- This appliance can be used by children aged from 8 years and above and persons with reduced physical, sensory or mental capabilities or lack of experience and knowledge if they have been given supervision or instruction concerning use of the appliance in a safe way and understand the hazards involved. Children shall not play with the appliance. Cleaning and user maintenance shall not be made by children without supervision.

Additional requirements for other countries:





- This appliance is not intended for use by persons (including children) with reduced physical, sensory or mental capabilities, or lack of experience and knowledge, unless they have been given supervision or instruction concerning use of the appliance by a person responsible for their safety. Children should be supervised to ensure that they do not play with the appliance.

### 1.1 General safety information

Do not hose down the machine with water.

In order to prevent damage to the electronics (and other parts) that may occur as the result of condensation, the machine should be placed in room temperature for 24 hours before being used for the first time.

### 1.2 Symbols

	Caution
	Caution, hot surface
	Read the instructions before using the machine.
	Be careful. The drying cabinet is top heavy and can tip over easily.

## 2 Warranty terms and exclusions

If the purchase of this product includes warranty coverage, warranty is provided in line with local regulations and subject to the product being installed and used for the purposes as designed, and as described within the appropriate equipment documentation.

Warranty will be applicable where the customer has used only genuine spare parts and has performed maintenance in accordance with Electrolux Professional user and maintenance documentation made available in paper or electronic format.

Electrolux Professional strongly recommends using Electrolux Professional approved cleaning, rinse and descaling agents to obtain optimal results and maintain product efficiency over time.

The Electrolux Professional warranty does not cover:

- service trips cost to deliver and pick up the product;
- installation;
- training on how to use/operate;
- replacement (and/or supply) of wear and tear parts unless resulting from defects in materials or workmanship reported within one (1) week from the failure;
- correction of external wiring;
- correction of unauthorized repairs as well as any damages, failures and inefficiencies caused by and/or resulting from:
  - insufficient and/or abnormal capacity of the electrical systems (current/voltage/frequency, including spikes and/or outages);
  - inadequate or interrupted water supply, steam, air, gas (including impurities and/or other that does not comply with the technical requirements for each appliance);
  - plumbing parts, components or consumable cleaning products that are not approved by the manufacturer;
  - customer's negligence, misuse, abuse and/or non-compliance with the use and care instructions detailed within the appropriate equipment documentation;
  - improper or poor: installation, repair, maintenance (including tampering, modifications and repairs carried out by third parties not authorized third parties) and modification of safety systems;
  - Use of non-original components (e.g.: consumables, wear and tear, or spare parts);
  - environment conditions provoking thermal (e.g. overheating/freezing) or chemical (e.g. corrosion/oxidation) stress;
  - foreign objects placed in- or connected to- the product;
  - accidents or force majeure;
  - transportation and handling, including scratches, dents, chips, and/or other damage to the finish of the product, unless such damage results from defects in materials or workmanship and is reported within one (1) week of delivery unless otherwise agreed;
- product with original serial numbers that have been removed, altered or cannot be readily determined;
- replacement of light bulbs, filters or any consumable parts;
- any accessories and software not approved or specified by Electrolux Professional.

Warranty does not include scheduled maintenance activities (including the parts required for it) or the supply of cleaning agents unless specifically covered within any local agreement, subject to local terms and conditions.

Check on Electrolux Professional website the list of authorized customer care.

### 3 Appliance layout

#### 3.1 Components



1	Wall bracket
2	Sliding hanger sections x3
3	Door hanger
4	Removable shoe rack (accessory)
5	Dehumidifier unit
6	Adjustable feet x4
7	Control panel

#### 3.2 Drying principle

Drying cabinet **DC6-4HP** works according to the principle of heat pump with dehumidifier unit instead of conventional hot air unit. This dries the garments at a lower heat and with significantly lower energy consumption.

The cabinet is a completely closed system. No exhaust air connection is required. The moisture is condensed during the process, and the water formed is directed to the drain via a hose.

In addition, the fan is so powerful that it makes the garments sway, making the drying process even more efficient.

### 3.3 Air flow

The figure shows the air flow in the drying cabinet.

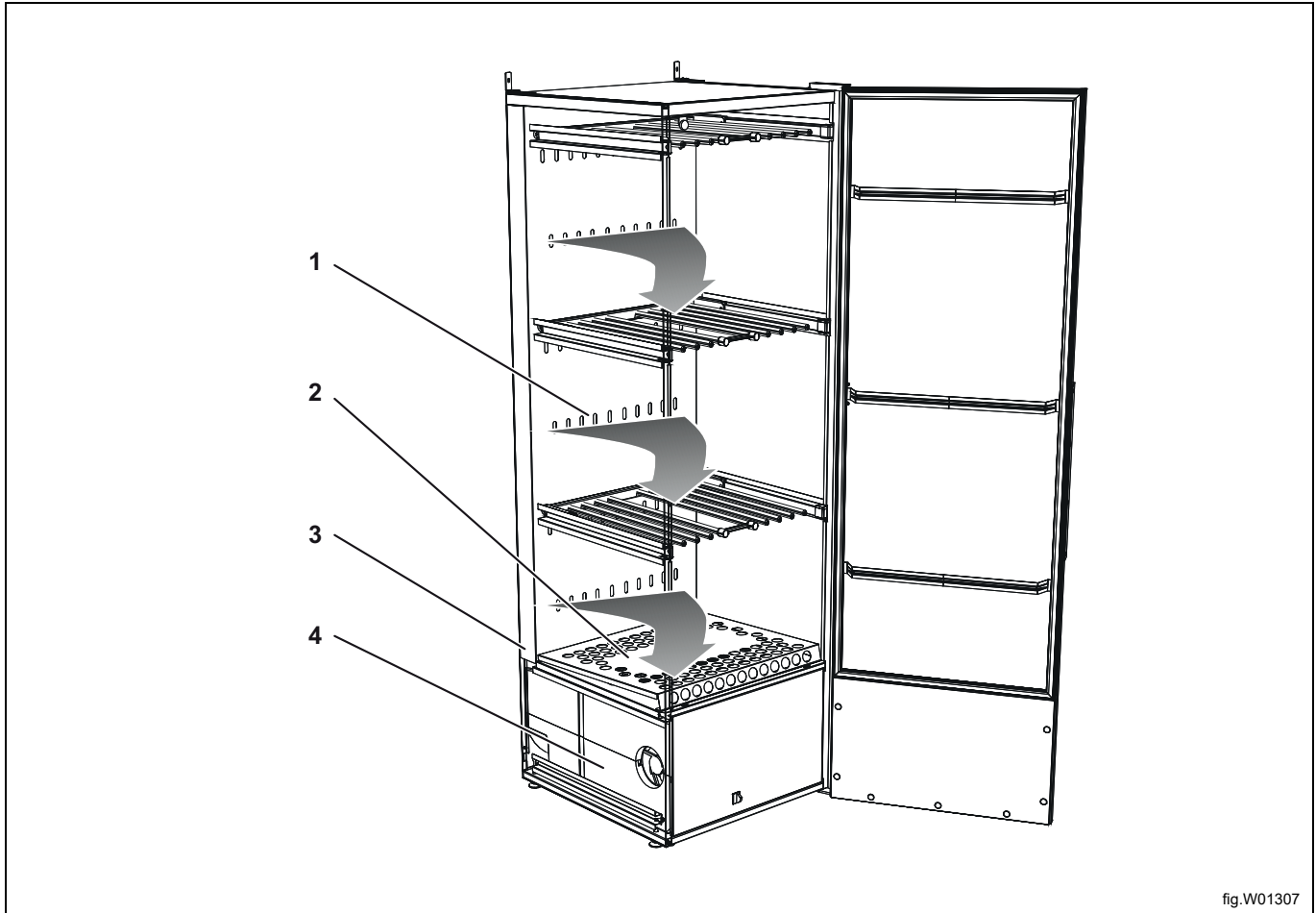


fig.W01307

1	Air flow in 6 rows
2	Cleaning filter under the shoe rack
3	Return air after dehumidification. Enters a duct in the back of the drying cabinet
4	Dehumidifier unit



Make sure that shoes and other items placed in the cabinet do not block air flow.

#### Note!

The door's sealing strip may not close completely when the cabinet is cold. However, this is fully offset when the cabinet is running as the heat causes the sealing strip to expand.



## 4 Operation

### 4.1 Advice and tips for using the drying cabinet with dehumidifier

- Always run the laundry through the spin cycle
- Do not hang the garments too close together as it will prolong the drying time
- The doors must always be closed during the drying process
- The temperature in a dehumidifying cabinet is lower
- It is not heat that dries the laundry

### 4.2 Operation

Position the laundry evenly spread out on the hangers and close the door.

Select a drying program (A). Drying will start when the program button is pressed. The symbol (bar) on the left side of the display (B) indicates that the drying process is in progress.

The drying cabinet will stop automatically when the laundry is dry.

When the textiles are dry, the drying process switches to a cool-down period that ends automatically after 3 minutes. During the cool-down period, the text "COOL" is shown on the display.

The display shows the text "END" (flashing).

To cancel the drying cycle, press the stop button (C).

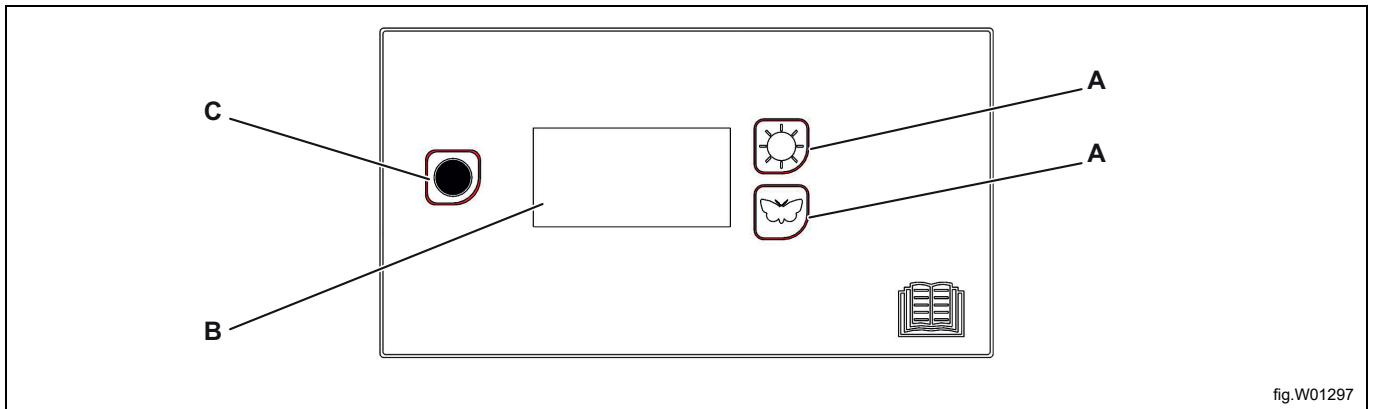
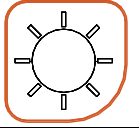


fig.W01297

### 4.3 Program description

	Normal drying
	Gentle drying of sensitive material

#### **4.4 Loads**

For optimum energy efficient drying, operate with a full load and do not open the door until the appliance has stopped. If the door is opened during drying, the drying time will increase.

The drying cabinet has three hanger sections. Each section has a number of rods on which the laundry is hung. Hanging the laundry according to the following instructions will result in the most efficient drying result.

- Hang the items in the drying cabinet according to how much room they require and not according to their weight.
- Do not lay items flat on the upper hanger section.
- Hang long items closest to the walls of the drying cabinet and shorter items towards the center.
- Fold up the two lower hanger sections if long items are to be dried.
- Hang gloves, caps, scarves and the like on the hanger bars on the inside of the door.
- Do not overload the drying cabinet. The laundry will become creased and dry unevenly. Leave some space between the items if possible. To avoid the transferring of colors, make sure materials are not touching each other.
- Avoid drying thick items at the same time as lighter items as they hold more moisture and have completely different drying times. If so, remove the lighter items when they are dry to reduce the drying time for the thick items that are left.
- Do not hang knitted items. These will stretch unnecessarily as they are heavy when wet. Follow the instructions on the care label of the garment as far as possible.

---

## 5 Maintenance

It is the responsibility of the owner of the appliance/the laundry manager to make sure that maintenance is performed regularly.

### **Note!**

**Lack of maintenance may deteriorate the performance of the appliance and may cause damage to components.**

### **Every day**

Clean the door and other internal and external parts.

Remove any lint and dust from inside and around the appliance.

## 6 Servicing

Before contacting the service department, you should find out the name, article number and serial number of the drying cabinet.

This information can be found on the identification plate located on the inside of the cabinet.

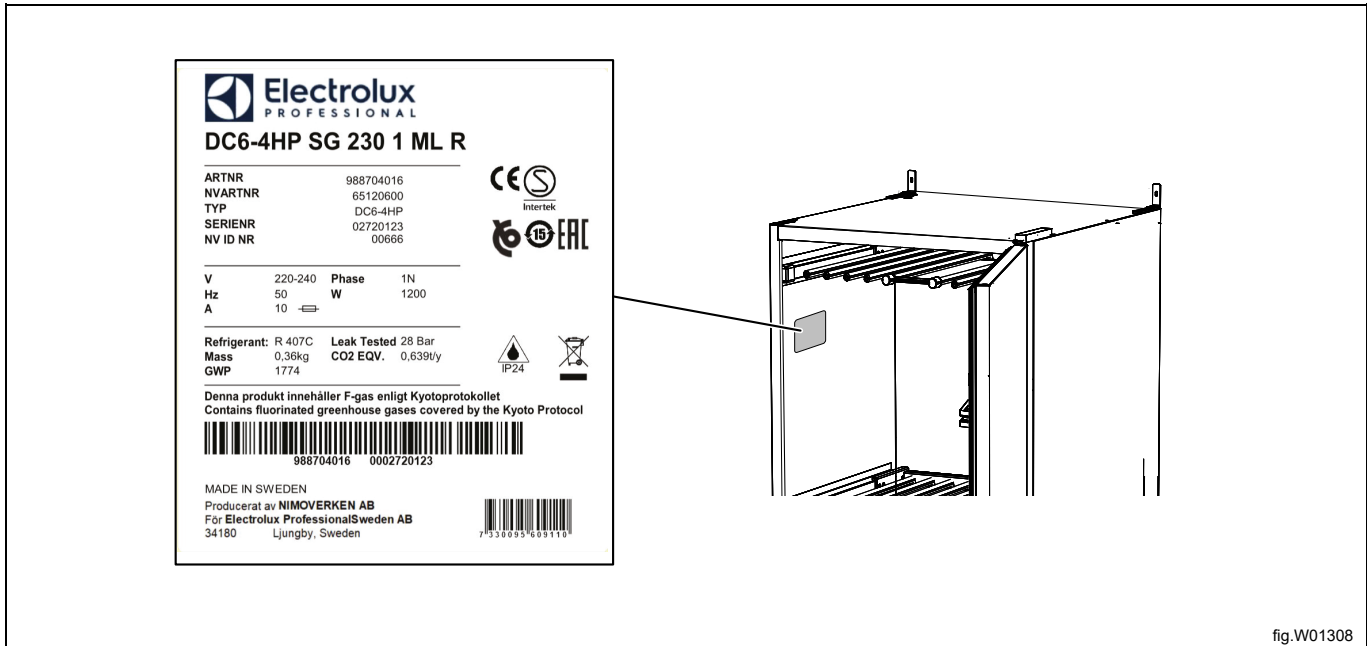
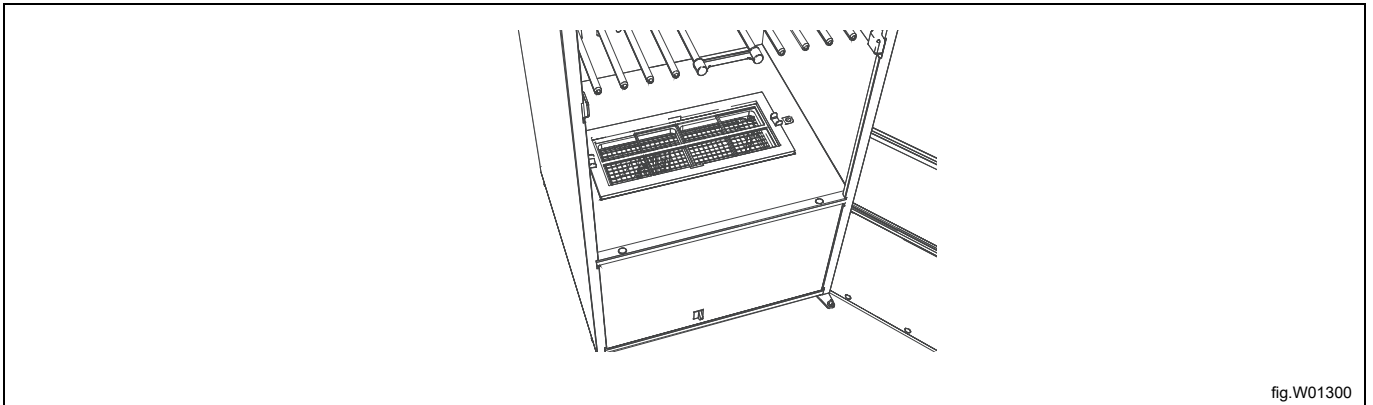


fig.W01308

## 7 Troubleshooting

Problem	What you can do
The drying cabinet does not work	<ol style="list-style-type: none"> <li>1. Check that the power cord is connected to an electrical outlet.</li> <li>2. Check that no fuse has been tripped.</li> <li>3. Did you press the start button?</li> <li>4. Is the door closed?</li> </ol>
The display shows "Check Water Pump"	The safety switch for defective pump has been activated. If this is the case, a service technician must be called.
The display shows "Clean Filter" See the figure below	Clean the cleaning filter and restart the cabinet. The Stop button must be held depressed for 5 seconds to reset the alarm.
Drying takes a long time	<ol style="list-style-type: none"> <li>1. Clean the cleaning filter (must be done after each drying session).</li> <li>2. Check that the right program was selected for the type of garments in question.</li> <li>3. Check to ensure the garments are not extremely wet (poorly centrifuged).</li> <li>4. Check that there is not too much laundry in the cabinet.</li> </ol>
The laundry does not get dry	<ol style="list-style-type: none"> <li>1. Check that the right program was selected for the type of garments in question.</li> <li>2. Check that there is not too much laundry in the cabinet.</li> <li>3. The software that controls the drying process requires adjustment. Contact a service technician.</li> </ol>
The sealing strip does not create a seal/there is a gap at the door	<ol style="list-style-type: none"> <li>1. Check that the cabinet is level. Check with a spirit level and adjust via the adjustable feet if necessary.</li> <li>2. Check that the cleaning filter and its holder are correctly installed. The holder should be pressed against the underlying heat pump unit to seal properly.</li> <li>3. Make sure that no debris, gravel or the like has ended up under the cleaning filter holder, as this would prevent it from sealing properly.</li> </ol>



Cleaning filter under the shoe rack

## 8 Error codes

No.	Name	Description
ER 03	Moisture sensor error	Contact Service
ER 04	Max time for drying process exceeded	Contact Service
ER 08	Clean the filter	100 hours have passed since the last filter cleaning (since the last time the alarm was reset). <b>Note!</b> The cabinet will continue to work despite the alarm. It is only intended as a reminder.
ER 10	Check the water pump	Contact Service
ER 12	Communication timeout	Contact Service

The Stop button must be held depressed for 5 seconds to reset an error code.

## 9 Disposal information

### 9.1 Disposal of appliance at end of life

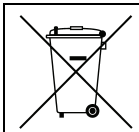
Before disposing of the machine, make sure to carefully check its physical condition, and in particular any parts of the structure that can give or break during scrapping.

The machine's parts must be disposed of in a differentiated way, according to their different characteristics (e.g. metals, oils, greases, plastic, rubber, etc.).

Different regulations are in force in the various countries, therefore comply with the provisions of the laws and competent bodies in the country where scrapping takes place.

In general, the appliance must be taken to a specialised collection/scrapping centre.

Dismantle the appliance, grouping the components according to their chemical characteristics, remembering that the compressor contains lubricant oil and refrigerant fluid which can be recycled, and that the refrigerator and heat pump components are special waste assimilable with urban waste.



The symbol on the product indicates that this product should not be treated as domestic waste, but must be correctly disposed of in order to prevent any negative consequences for the environment and human health. For further information on the recycling of this product, contact the local dealer or agent, the Customer Care service or the local body responsible for waste disposal.




#### Note!

**When scrapping the machine, any marking, this manual and other documents concerning the appliance must be destroyed.**

### 9.2 Disposal of packing

The packing must be disposed of in compliance with the current regulations in the country where the appliance is used. All the packing materials are environmentally friendly.

They can be safely kept, recycled or burned in an appropriate waste incineration plant. Recyclable plastic parts are marked as following examples.

	Polyethylene: <ul style="list-style-type: none"> <li>• Outer wrapping</li> <li>• Instructions bag</li> </ul>
	Polypropylene: <ul style="list-style-type: none"> <li>• Straps</li> </ul>
	Polystyrene foam: <ul style="list-style-type: none"> <li>• Corner protectors</li> </ul>



Electrolux Professional AB  
341 80 Ljungby, Sweden  
[www.electroluxprofessional.com](http://www.electroluxprofessional.com)