

# User manual

## Drying cabinet

DC6–15WW

D13+



**Electrolux**  
PROFESSIONAL



# Contents

---

## Contents

1	Safety Precautions .....	5
1.1	General safety information.....	5
1.2	Symbols.....	5
2	Warranty terms and exclusions.....	6
3	Appliance layout.....	7
4	Air flow .....	8
5	Operation .....	9
5.1	Operation.....	9
5.2	Pause .....	10
5.3	Program description.....	10
5.4	Overheat protection .....	10
5.5	Filters.....	10
6	Accessories .....	12
6.1	Shelves for flat drying .....	12
6.2	Glove dryer .....	13
6.3	Shoe dryer .....	15
6.4	Programs .....	17
6.4.1	Programs for Shelves for flat drying .....	17
6.4.2	Programs for Glove dryer / Shoe dryer with synthetic materials .....	17
6.4.3	Programs for Glove dryer / Shoe dryer with leather materials .....	17
6.4.4	Set program.....	18
7	Maintenance .....	20
8	Servicing .....	21
9	Disposal information.....	22
9.1	Disposal of appliance at end of life .....	22
9.2	Disposal of packing.....	22

The manufacturer reserves the right to make changes to design and component specifications.



## 1 Safety Precautions

**WARNING.** This appliance is intended only for drying textiles washed in water.

**DO NOT MODIFY THIS APPLIANCE.**

Servicing shall be carried out only by authorized personnel.

Only authorized spare parts shall be used.

When performing service or replacing parts, the power must be disconnected.

Stationary appliances not fitted with means for disconnection from the supply mains having a contact separation in all poles that provide full disconnection under overvoltage category III, means for disconnection must be incorporated in the fixed wiring in accordance with the wiring rules.

A-weighted emission sound pressure level at workstations: <70 dB

Additional requirements for the following countries: AT, BE, BG, HR, CY, CZ, DK, EE, FI, FR, DE, GR, HU, IS, IE, IT, LV, LT, LU, MT, NL, NO, PL, PT, RO, SK, SI, ES, SE, CH, TR, UK:

- This appliance can be used in public areas.
- This appliance can be used by children aged from 8 years and above and persons with reduced physical, sensory or mental capabilities or lack of experience and knowledge if they have been given supervision or instruction concerning use of the appliance in a safe way and understand the hazards involved. Children shall not play with the appliance. Cleaning and user maintenance shall not be made by children without supervision.

Additional requirements for other countries:





- This appliance is not intended for use by persons (including children) with reduced physical, sensory or mental capabilities, or lack of experience and knowledge, unless they have been given supervision or instruction concerning use of the appliance by a person responsible for their safety. Children should be supervised to ensure that they do not play with the appliance.

### 1.1 General safety information

Do not hose down the machine with water.

In order to prevent damage to the electronics (and other parts) that may occur as the result of condensation, the machine should be placed in room temperature for 24 hours before being used for the first time.

### 1.2 Symbols

	Caution
	Caution, hot surface
	Read the instructions before using the machine.
	Be careful. The drying cabinet is top heavy and can tip over easily.

## 2 Warranty terms and exclusions

If the purchase of this product includes warranty coverage, warranty is provided in line with local regulations and subject to the product being installed and used for the purposes as designed, and as described within the appropriate equipment documentation.

Warranty will be applicable where the customer has used only genuine spare parts and has performed maintenance in accordance with Electrolux Professional user and maintenance documentation made available in paper or electronic format.

Electrolux Professional strongly recommends using Electrolux Professional approved cleaning, rinse and descaling agents to obtain optimal results and maintain product efficiency over time.

The Electrolux Professional warranty does not cover:

- service trips cost to deliver and pick up the product;
- installation;
- training on how to use/operate;
- replacement (and/or supply) of wear and tear parts unless resulting from defects in materials or workmanship reported within one (1) week from the failure;
- correction of external wiring;
- correction of unauthorized repairs as well as any damages, failures and inefficiencies caused by and/or resulting from:
  - insufficient and/or abnormal capacity of the electrical systems (current/voltage/frequency, including spikes and/or outages);
  - inadequate or interrupted water supply, steam, air, gas (including impurities and/or other that does not comply with the technical requirements for each appliance);
  - plumbing parts, components or consumable cleaning products that are not approved by the manufacturer;
  - customer's negligence, misuse, abuse and/or non-compliance with the use and care instructions detailed within the appropriate equipment documentation;
  - improper or poor: installation, repair, maintenance (including tampering, modifications and repairs carried out by third parties not authorized third parties) and modification of safety systems;
  - Use of non-original components (e.g.: consumables, wear and tear, or spare parts);
  - environment conditions provoking thermal (e.g. overheating/freezing) or chemical (e.g. corrosion/oxidation) stress;
  - foreign objects placed in- or connected to- the product;
  - accidents or force majeure;
  - transportation and handling, including scratches, dents, chips, and/or other damage to the finish of the product, unless such damage results from defects in materials or workmanship and is reported within one (1) week of delivery unless otherwise agreed;
- product with original serial numbers that have been removed, altered or cannot be readily determined;
- replacement of light bulbs, filters or any consumable parts;
- any accessories and software not approved or specified by Electrolux Professional.

Warranty does not include scheduled maintenance activities (including the parts required for it) or the supply of cleaning agents unless specifically covered within any local agreement, subject to local terms and conditions.

Check on Electrolux Professional website the list of authorized customer care.

### 3 Appliance layout

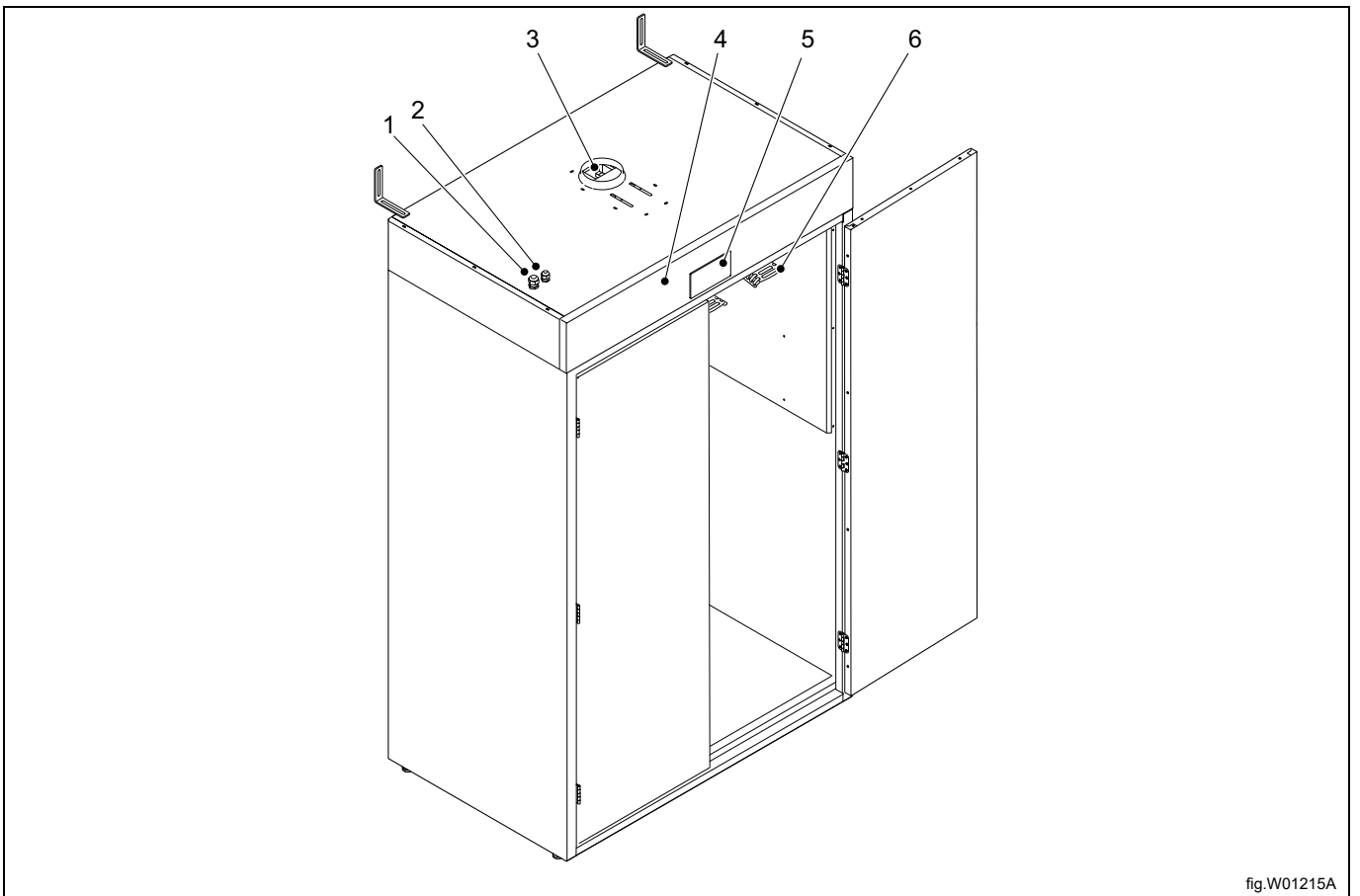


fig.W01215A

1	Electrical connection for external fan
2	Hole for power cord
3	Damper
4	Fan unit / Electrical control unit (behind the panel)
5	Control panel
6	Hanger

## 4 Air flow

The figure shows the air flow in the drying cabinet.

Air is blown in on the left and right sides as well as through the hangers.

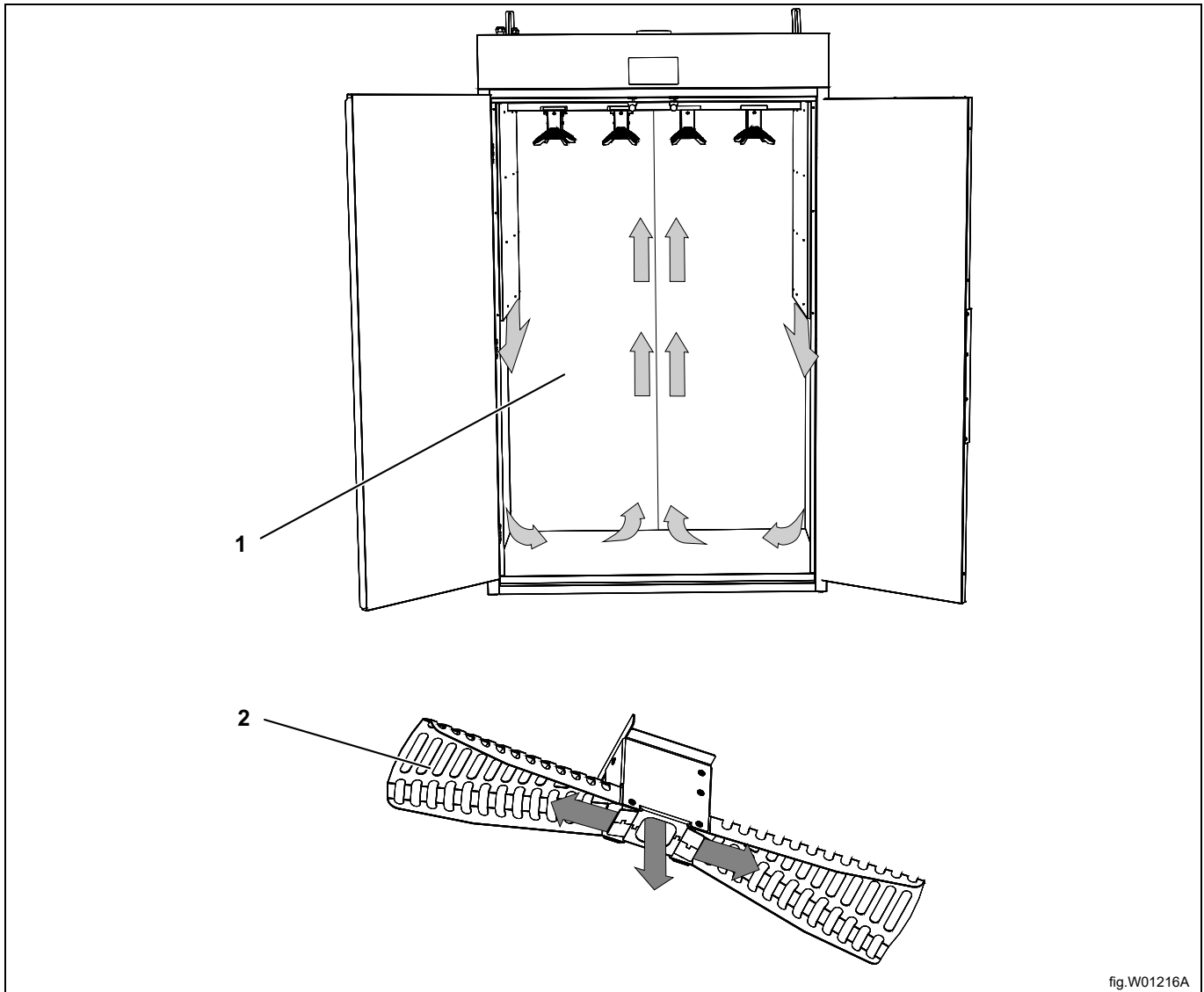


fig.W01216A

1	Air flow in the cabinet
2	Air flow in the hangers



## 5 Operation

### 5.1 Operation

Pull the hangers out of the drying cabinet to hang the garments. Each hanger can hold a complete set of work clothes.

Place the loops of the pants over the hanger and then hang the jacket. Place the hanger in one of the four support rails. Use the supplied cover plates in the air outlets that are not being used.

For optimum energy efficient drying, operate with a full load and do not open the doors until the appliance has stopped.



fig.W01217

The drying cabinet will stop automatically when the laundry is dry.

When the textiles are dry, the drying process switches to a cool-down period that ends automatically. During the cool-down period, the text "COOL" is shown on the display.

The display shows the text "END" (flashing).

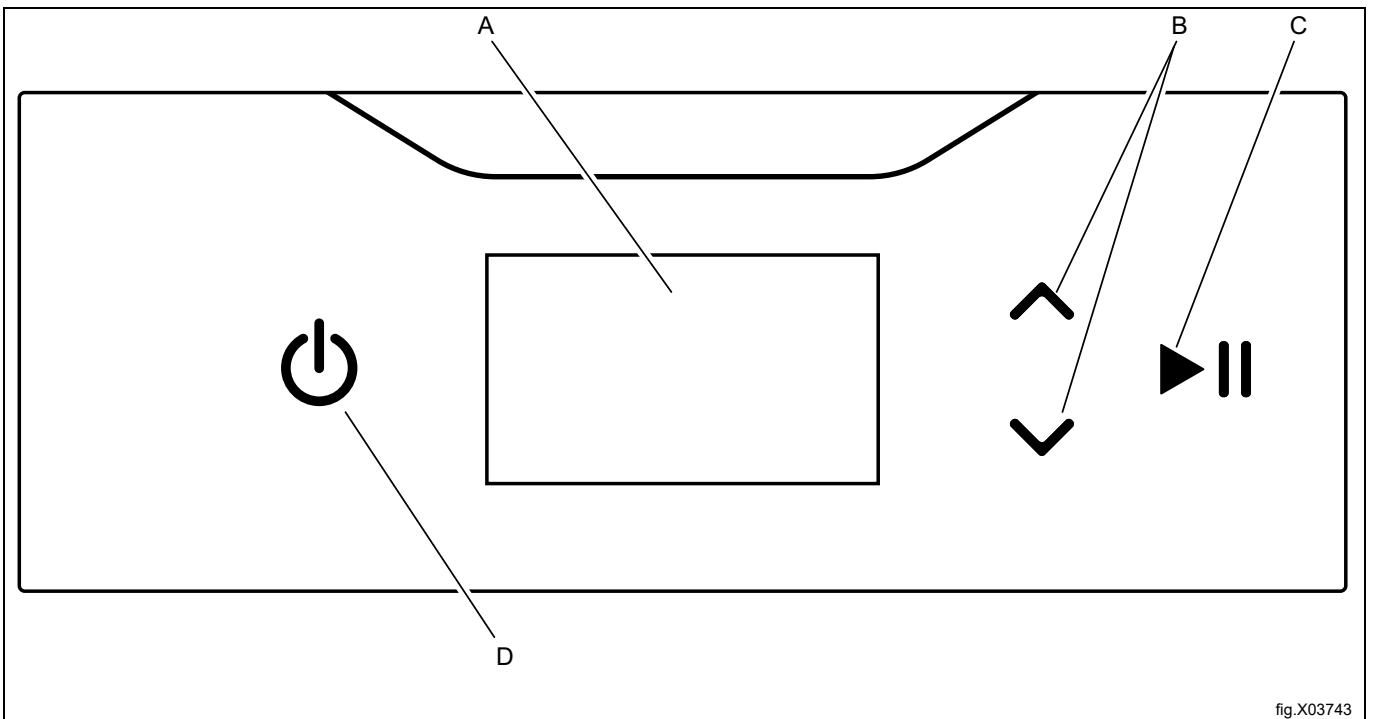


fig.X03743

A	Display
B	Up- and down arrows that are used to scroll up and down through the menus on the display.
C	Start- and stop button
D	On/off button

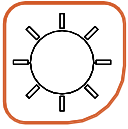

## 5.2 Pause

Open one of the doors to pause the drying cycle. The heat will be turned off, but the fan will continue to run for five minutes. The lamp for the paused drying program will flash during these five minutes.

If the door is closed during this five-minute period, the paused drying program will resume.

If the door is not closed during this five-minute period, the drying program is stopped and must be restarted manually.

## 5.3 Program description

	Drying at a high temperature for impregnation
	Drying at a low temperature

## 5.4 Overheat protection

The drying cabinet is equipped with an overheat protection function that is reset automatically.

When the overheat protection has been activated, the drying cabinet will not be able to start.

Once the temperature inside the drying cabinet has returned to normal (this can take up to 10–15 minutes), the drying cabinet can be started again.

Check that the filter is clean before starting the cabinet. If the filter is not clogged and the cabinet does not start, contact the supplier or service personnel.

## 5.5 Filters

The drying cabinet has four filters located in the cabinet ceiling – two at the front edge and two at the rear edge.

### Note!

**The drying cabinet must not be used if any of the filters are removed.**

### Note!

**The user is responsible for checking and cleaning the filters after each drying program.**

Remove the filters by pulling the handle.

Clean all four filters on both sides.

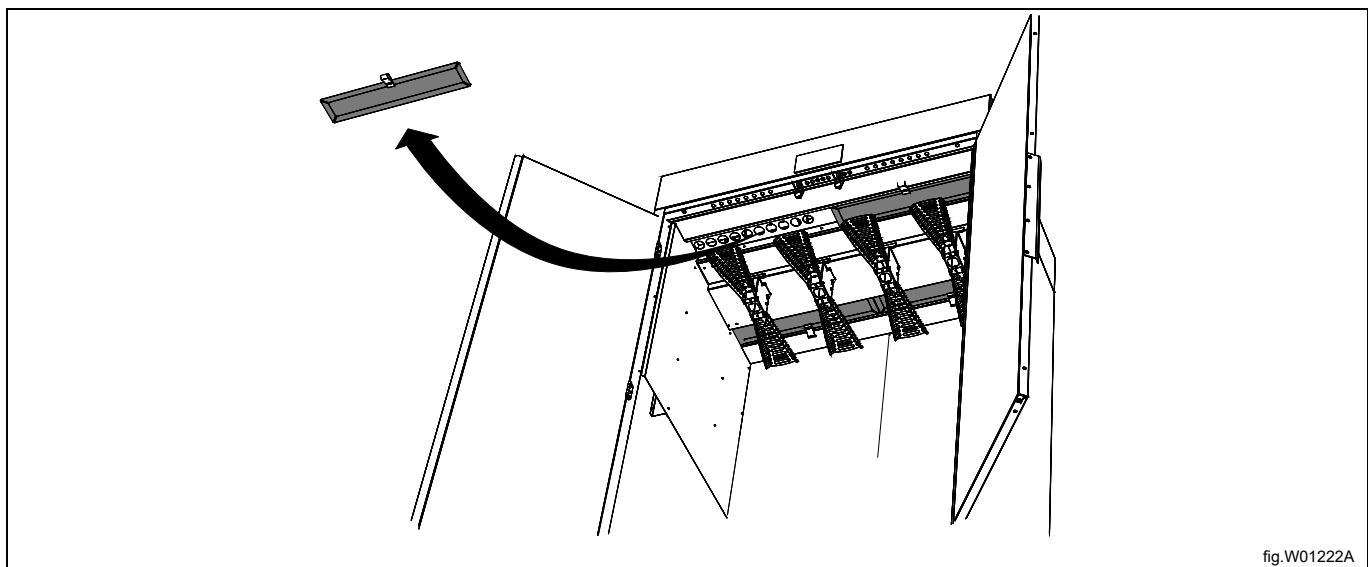


fig.W01222A

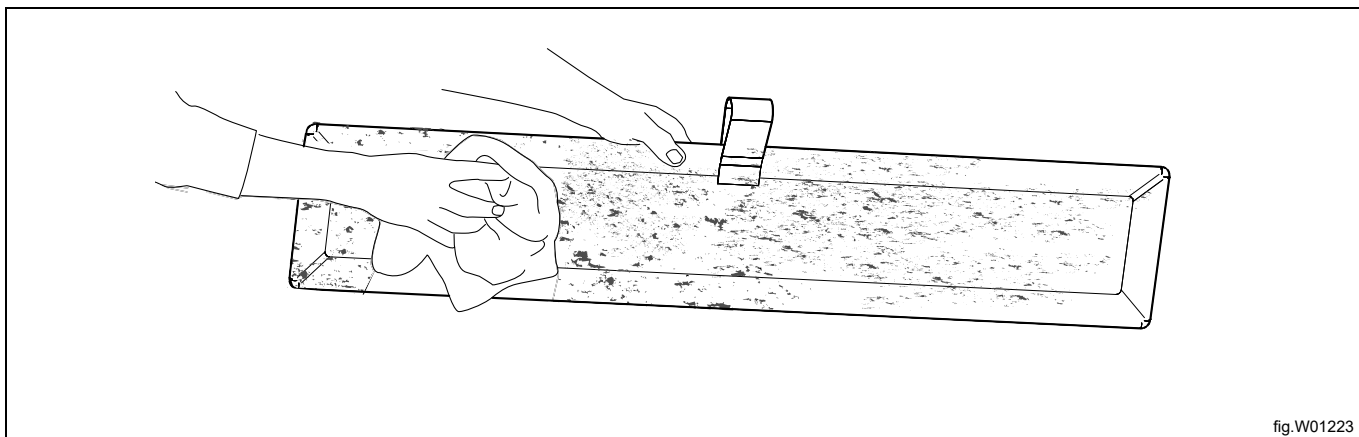


fig.W01223

Reinstall the filter and press it into place.

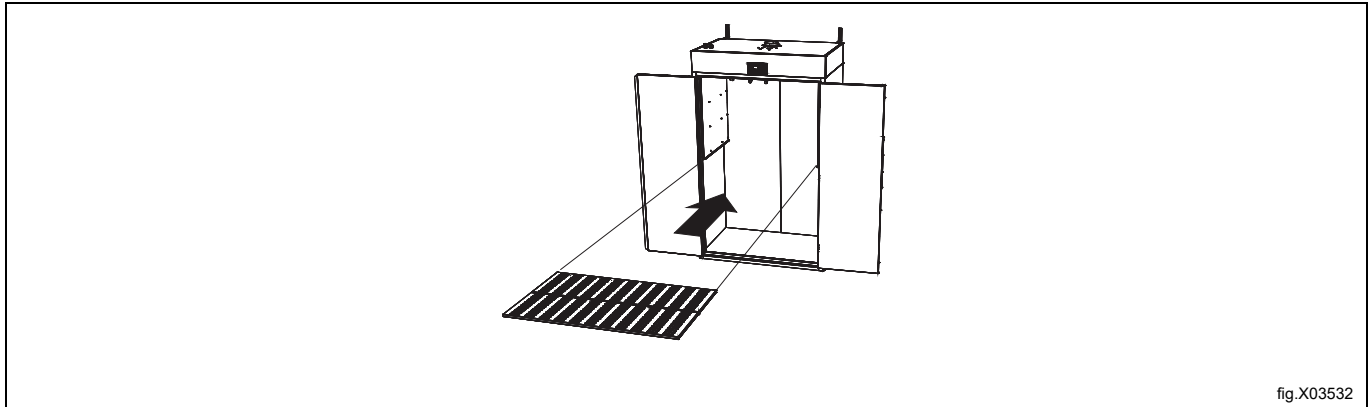
## 6 Accessories

The following accessories are available to the drying cabinet.

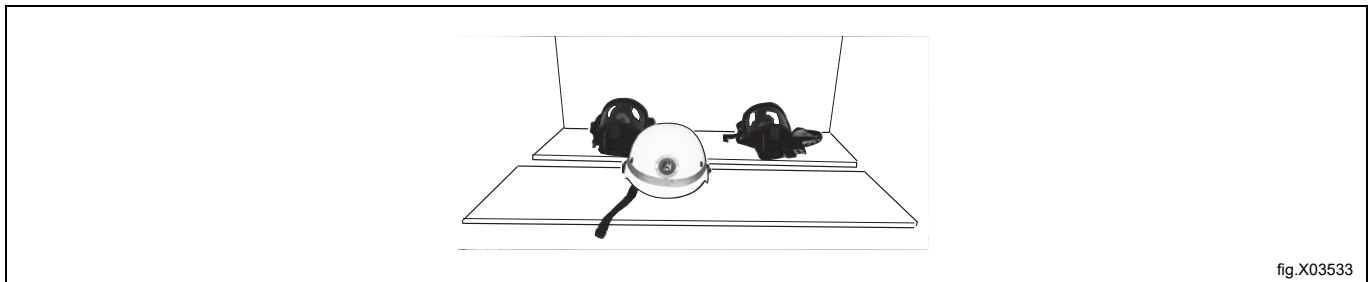
### 6.1 Shelves for flat drying

The shelves are used for flat drying of for example helmets and masks.

- Insert the shelves in the drying cabinet.
- One or two shelves can be used. If only one shelf is to be used, make sure to position it in the middle of the drying cabinet.



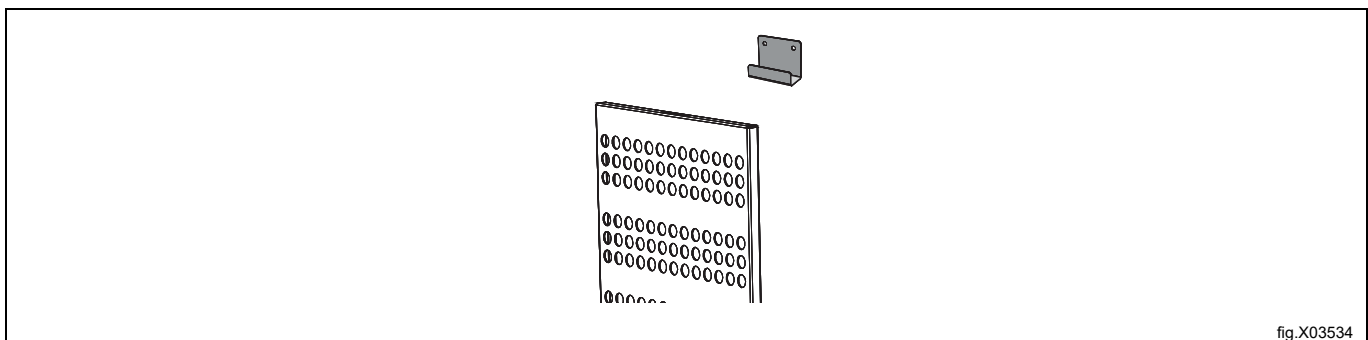
- Distribute the load evenly in order to get the best drying result.



#### Note!

The shelves can not be combined with any other option.

Mount the enclosed hanger on the wall for storage of the shelves when not in use.



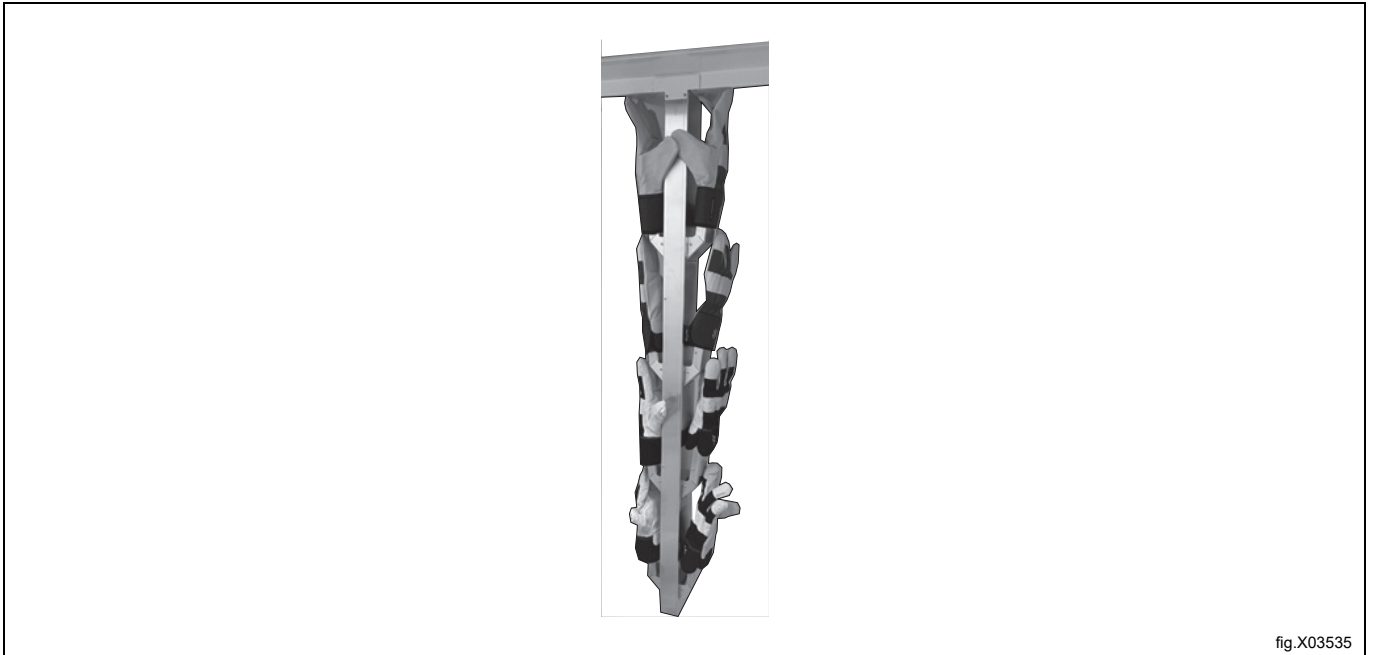
For program setting when using this option, please refer to “Programs” section.

## 6.2 Glove dryer

The glove dryer is used for drying work gloves.

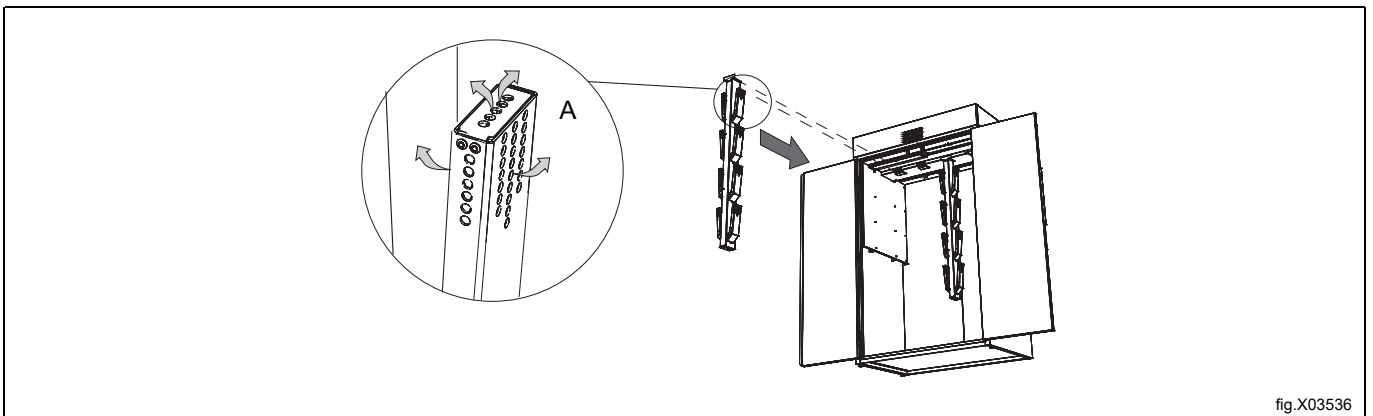
Each glove dryer has room for 4 pair of gloves.

The drying cabinet can hold between 1 and 4 glove dryers.



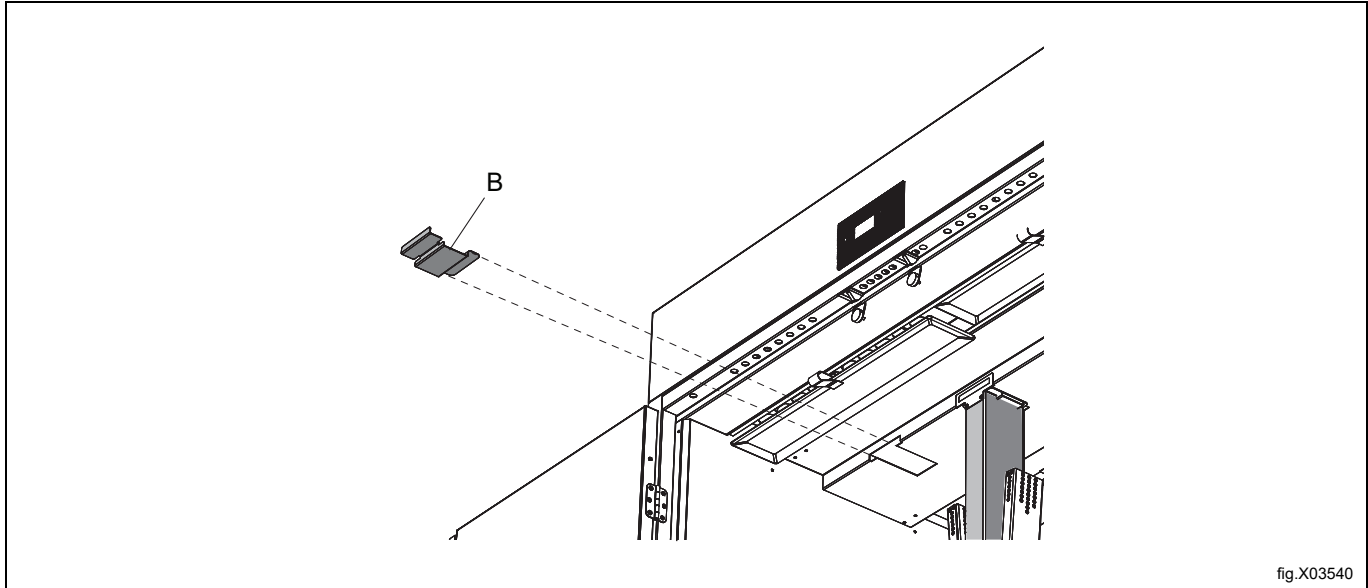
Each glove is placed over the holder (A).

The drying air circulates both inside of the holders and out from the holes in the holders. The gloves are then getting dried both from the inside and the outside with drying air both from inside and the upward circulated air on the outside.

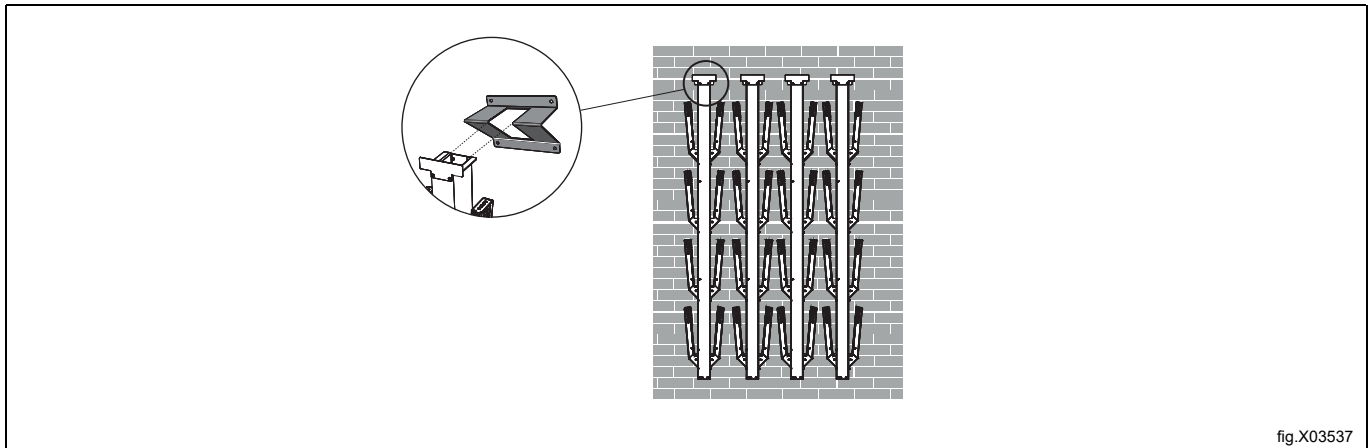


If there are less than 4 glove dryers installed, the enclosed lids (B) shall be inserted where the glove dryer should have been installed. This is to improve the air circulation in the drying cabinet.

At delivery, there are 4 lids enclosed from factory. Make sure to insert the lids (B) where there is no option installed.



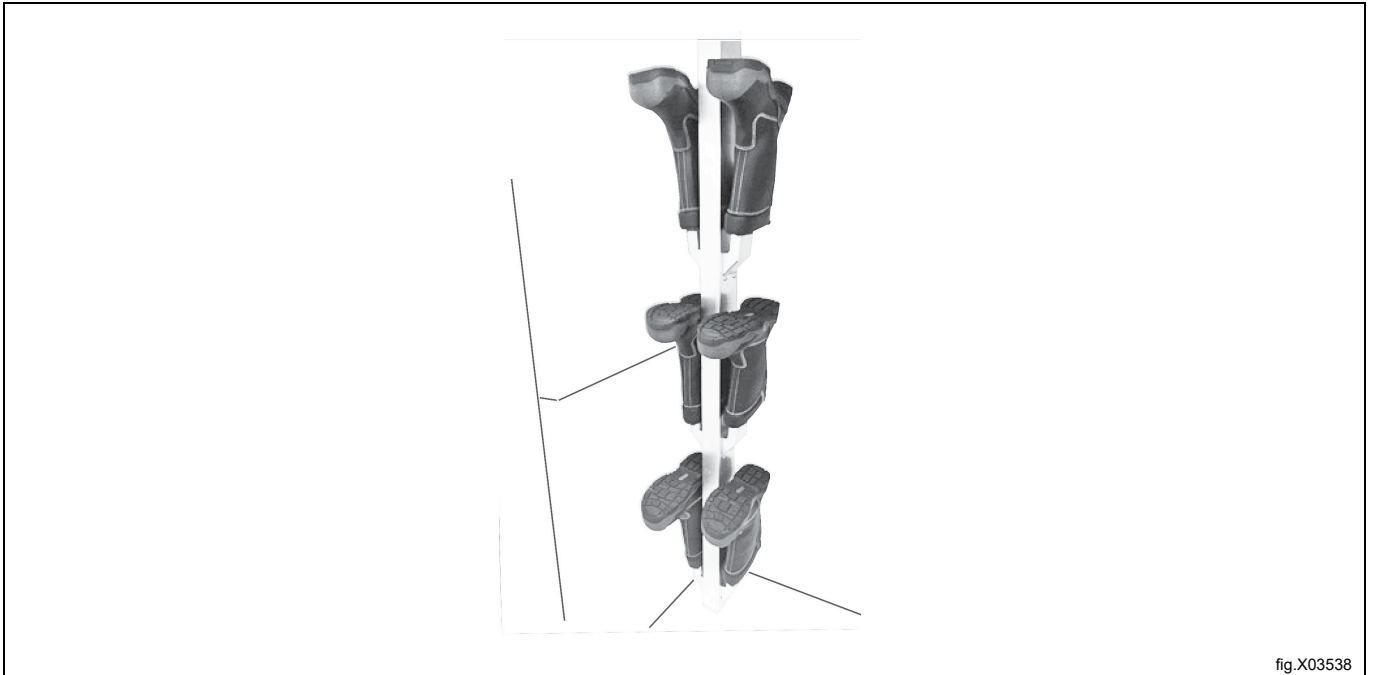
Mount the enclosed hangers on the wall for storage of the glove dryers when not in use. Each hanger holds one glove dryer.



For program setting when using this option, please refer to "Programs" section.

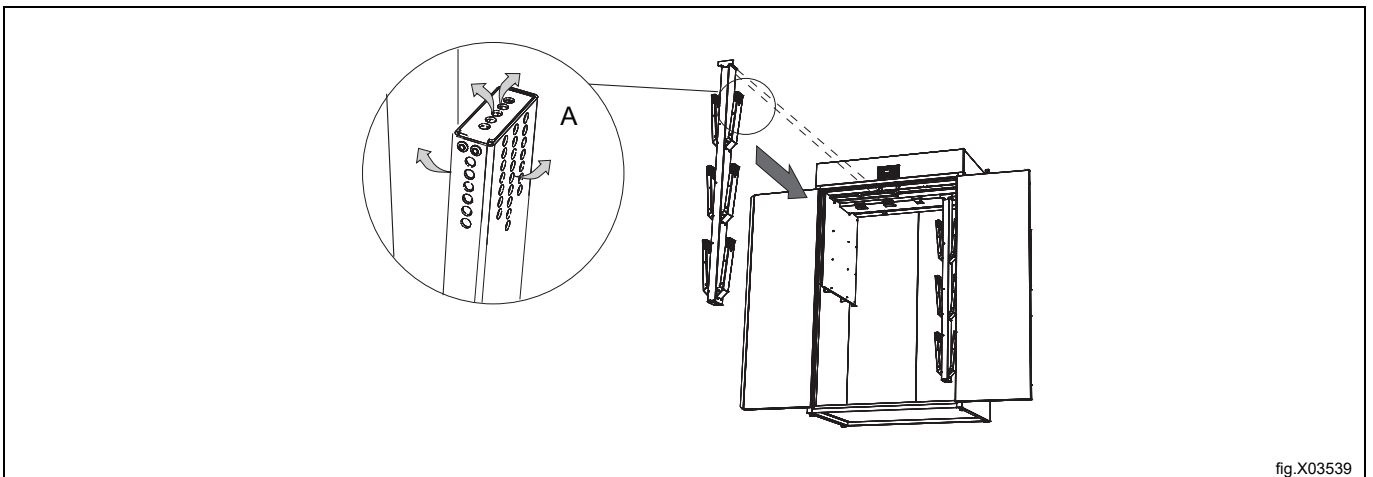
### 6.3 Shoe dryer

The shoe dryer is used for drying boots and working shoes.  
Each shoe dryer has room for 3 pair of shoes.  
The drying cabinet can hold between 1 and 2 shoe dryers.



Each shoe is placed over the holder (A).

The drying air circulates both inside of the holders and out from the holes in the holders. The shoes are then getting dried both from the inside and the outside with drying air both from inside and the upward circulated air on the outside.

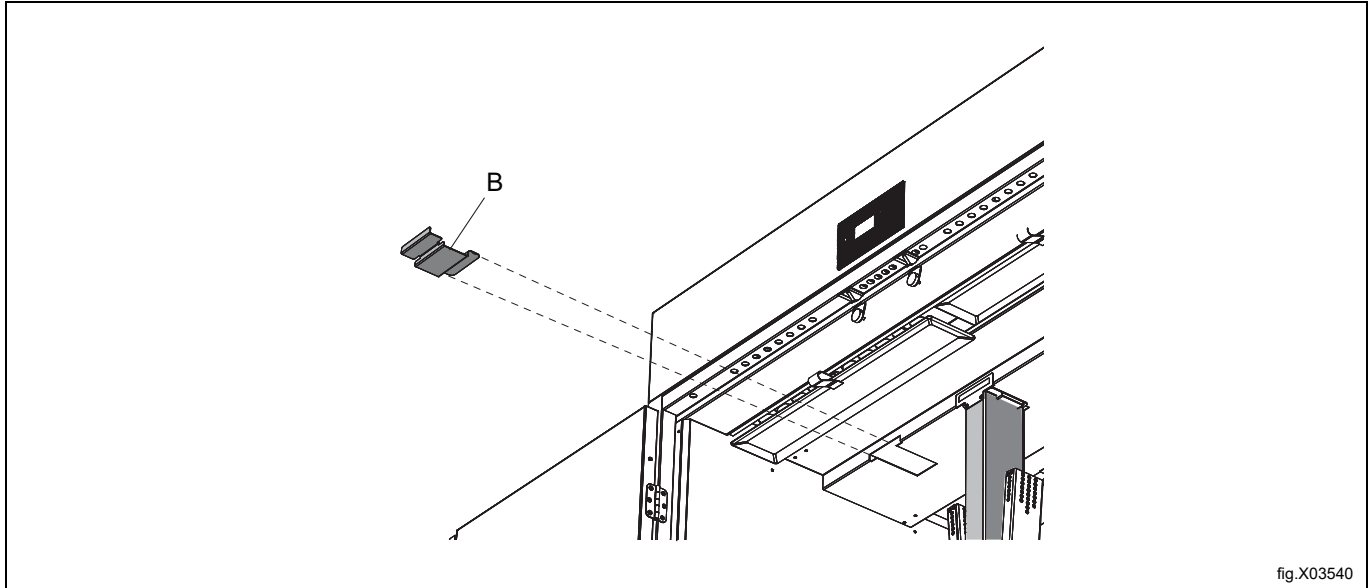


#### Note!

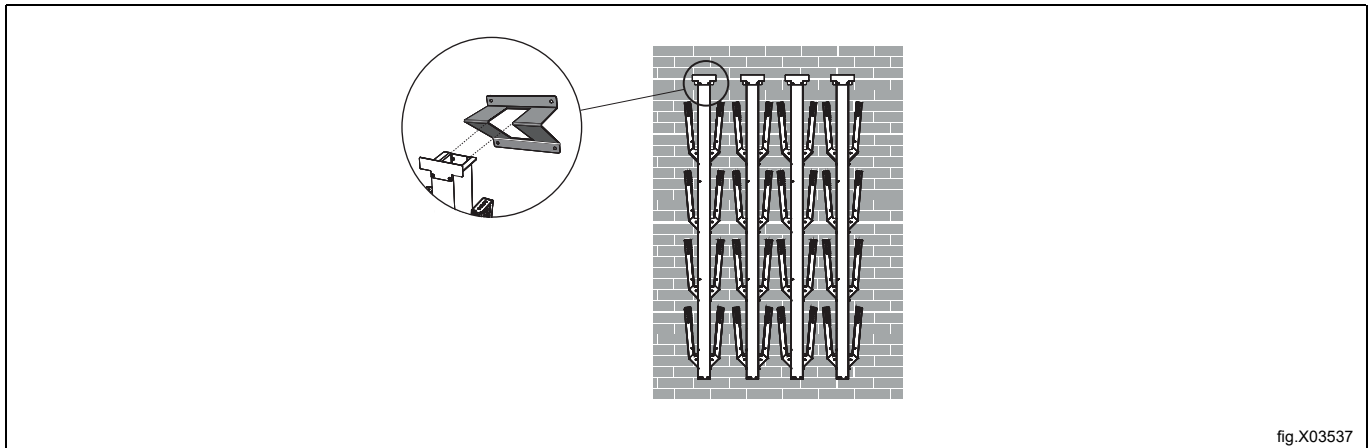
Only two shoe dryers shall be in use at the same time. Or one shoe dryer + one glove dryer.

If the shoe dryers are not to be used, the enclosed lids (B) shall be inserted where the shoe dryers should have been installed. This is to improve the air circulation in the drying cabinet.

At delivery, there are 4 lids enclosed from factory. Make sure to insert the lids (B) where there is no option installed.



Mount the enclosed hangers on the wall for storage of the shoe dryers when not in use. Each hanger holds one shoe dryer.



For program setting when using this option, please refer to "Programs" section.



## 6.4 Programs

The drying cabinet has in total five drying programs. The first two are for drying of work clothes and the other three are for the accessories described in this instruction.

### 6.4.1 Programs for Shelves for flat drying

For drying of for example helmets and masks.

- Factory set drying temperature: 40°C.
- Program name: MAN FL.
- Pre set drying time: 2 hours (adjustable).

### 6.4.2 Programs for Glove dryer / Shoe dryer with synthetic materials

For drying of shoes and gloves with synthetic materials.

- Factory set drying temperature: 50°C.
- Program name: MAN 50°.
- Pre set drying time: 3 hours (adjustable).

### 6.4.3 Programs for Glove dryer / Shoe dryer with leather materials

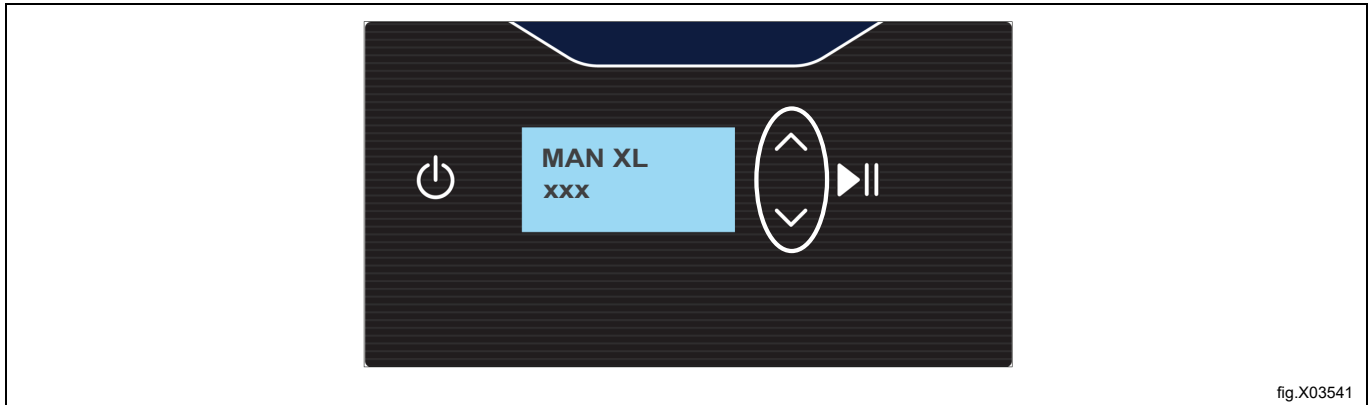
For drying of shoes and gloves with leather materials.

- Factory set drying temperature: 40°C.
- Program name: MAN 40°.
- Pre set drying time: 4 hours (adjustable).

#### 6.4.4 Set program

Select program with the up- and down arrows.

The illustration shows the program for “Shelves for flat drying” as an example.

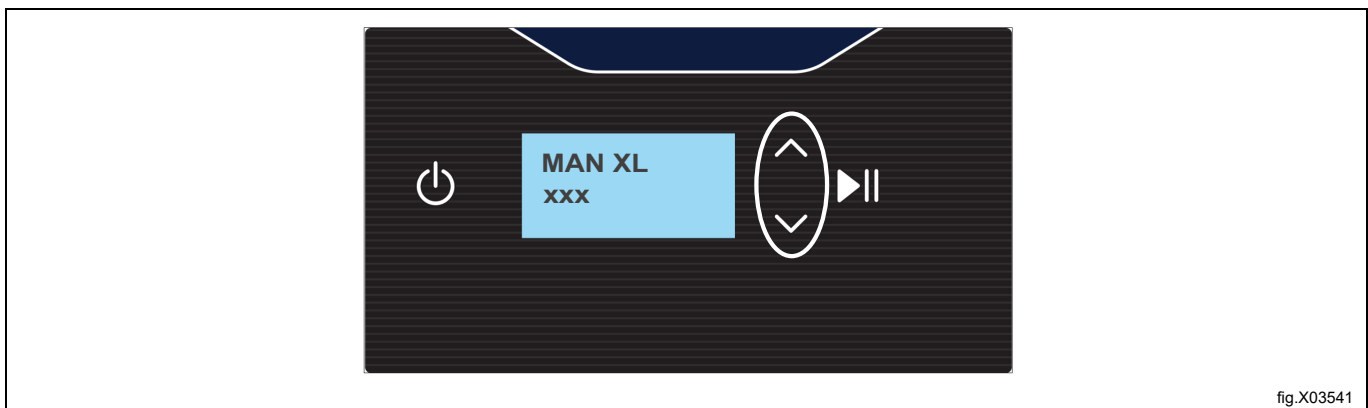


Press the start button to activate the selected program.

The pre set time starts to flash on the display.



Change the pre set time with the up- and down arrows. You can also keep the pre set time.



Press the start button to start.



fig.X03543

The drying temperature are set from factory and can not be changed.

The drying time can be changed according to the table.

Object to be dried	Factory set drying temperature	Drying time in minutes	
		Pre set	Adjustable
Flat drying of helmets and masks	40°C	120	15-720
Shoes and gloves with synthetic materials	50°C	180	
Shoes and gloves with leather materials	40°C	240	

## 7 Maintenance

It is the responsibility of the owner of the appliance/the laundry manager to make sure that maintenance is performed regularly.

### **Note!**

**Lack of maintenance may deteriorate the performance of the appliance and may cause damage to components.**

### **Every day**

Clean the doors and other external parts.

Clean the filters and check for damage. Replace if needed.

Remove any lint and dust from inside and around the appliance.

## 8 Servicing

**Before contacting the service department,** you should find out the name, article number and serial number of the drying cabinet.

This information can be found on the identification plate (A) located inside the cabinet.

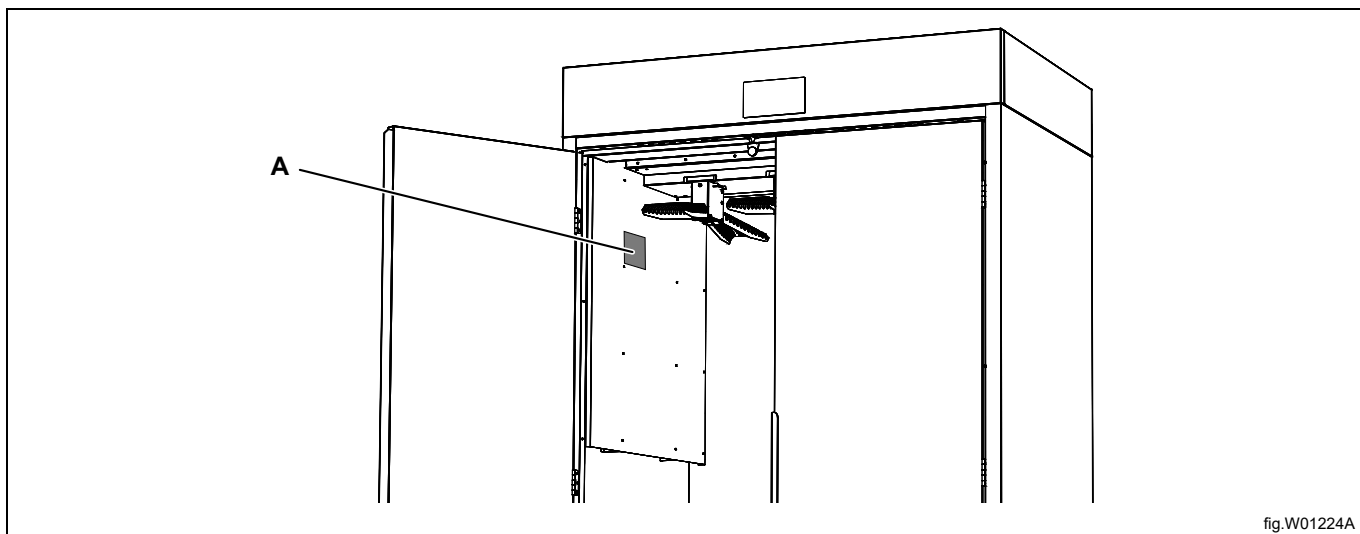


fig.W01224A

## 9 Disposal information

### 9.1 Disposal of appliance at end of life

Before disposing of the machine, make sure to carefully check its physical condition, and in particular any parts of the structure that can give or break during scrapping.

The machine's parts must be disposed of in a differentiated way, according to their different characteristics (e.g. metals, oils, greases, plastic, rubber, etc.).

Different regulations are in force in the various countries, therefore comply with the provisions of the laws and competent bodies in the country where scrapping takes place.

In general, the appliance must be taken to a specialised collection/scrapping centre.

Dismantle the appliance, grouping the components according to their chemical characteristics, remembering that the compressor contains lubricant oil and refrigerant fluid which can be recycled, and that the refrigerator and heat pump components are special waste assimilable with urban waste.



The symbol on the product indicates that this product should not be treated as domestic waste, but must be correctly disposed of in order to prevent any negative consequences for the environment and human health. For further information on the recycling of this product, contact the local dealer or agent, the Customer Care service or the local body responsible for waste disposal.




#### Note!

**When scrapping the machine, any marking, this manual and other documents concerning the appliance must be destroyed.**

### 9.2 Disposal of packing

The packing must be disposed of in compliance with the current regulations in the country where the appliance is used. All the packing materials are environmentally friendly.

They can be safely kept, recycled or burned in an appropriate waste incineration plant. Recyclable plastic parts are marked as following examples.

	Polyethylene: <ul style="list-style-type: none"> <li>• Outer wrapping</li> <li>• Instructions bag</li> </ul>
	Polypropylene: <ul style="list-style-type: none"> <li>• Straps</li> </ul>
	Polystyrene foam: <ul style="list-style-type: none"> <li>• Corner protectors</li> </ul>





Electrolux Professional AB  
341 80 Ljungby, Sweden  
[www.electroluxprofessional.com](http://www.electroluxprofessional.com)