

User manual

Drying cabinet

DC6-8



Electrolux
PROFESSIONAL

Contents

Contents

1	Safety Precautions	5
1.1	General safety information.....	5
1.2	Symbols.....	5
2	Warranty terms and exclusions.....	6
3	Appliance layout.....	7
4	Air flow	8
5	Operation	9
5.1	Operation	9
5.2	Program description.....	9
5.3	Loads	10
5.4	Child safety lock	10
5.5	Overheat protection	11
5.6	Filter	12
6	Maintenance	13
7	Servicing	14
8	Disposal information	15
8.1	Disposal of appliance at end of life	15
8.2	Disposal of packing.....	15

The manufacturer reserves the right to make changes to design and component specifications.

1 Safety Precautions

WARNING. This appliance is intended only for drying textiles washed in water.

DO NOT MODIFY THIS APPLIANCE.

Servicing shall be carried out only by authorized personnel.

Only authorized spare parts shall be used.

When performing service or replacing parts, the power must be disconnected.

Stationary appliances not fitted with means for disconnection from the supply mains having a contact separation in all poles that provide full disconnection under overvoltage category III, means for disconnection must be incorporated in the fixed wiring in accordance with the wiring rules.

A-weighted emission sound pressure level at workstations: <70 dB

Additional requirements for the following countries: AT, BE, BG, HR, CY, CZ, DK, EE, FI, FR, DE, GR, HU, IS, IE, IT, LV, LT, LU, MT, NL, NO, PL, PT, RO, SK, SI, ES, SE, CH, TR, UK:

- This appliance can be used in public areas.
- This appliance can be used by children aged from 8 years and above and persons with reduced physical, sensory or mental capabilities or lack of experience and knowledge if they have been given supervision or instruction concerning use of the appliance in a safe way and understand the hazards involved. Children shall not play with the appliance. Cleaning and user maintenance shall not be made by children without supervision.

Additional requirements for other countries:





- This appliance is not intended for use by persons (including children) with reduced physical, sensory or mental capabilities, or lack of experience and knowledge, unless they have been given supervision or instruction concerning use of the appliance by a person responsible for their safety. Children should be supervised to ensure that they do not play with the appliance.

1.1 General safety information

Do not hose down the machine with water.

In order to prevent damage to the electronics (and other parts) that may occur as the result of condensation, the machine should be placed in room temperature for 24 hours before being used for the first time.

1.2 Symbols

	Caution
	Caution, hot surface
	Read the instructions before using the machine.
	Be careful. The drying cabinet is top heavy and can tip over easily.

2 Warranty terms and exclusions

If the purchase of this product includes warranty coverage, warranty is provided in line with local regulations and subject to the product being installed and used for the purposes as designed, and as described within the appropriate equipment documentation.

Warranty will be applicable where the customer has used only genuine spare parts and has performed maintenance in accordance with Electrolux Professional user and maintenance documentation made available in paper or electronic format.

Electrolux Professional strongly recommends using Electrolux Professional approved cleaning, rinse and descaling agents to obtain optimal results and maintain product efficiency over time.

The Electrolux Professional warranty does not cover:

- service trips cost to deliver and pick up the product;
- installation;
- training on how to use/operate;
- replacement (and/or supply) of wear and tear parts unless resulting from defects in materials or workmanship reported within one (1) week from the failure;
- correction of external wiring;
- correction of unauthorized repairs as well as any damages, failures and inefficiencies caused by and/or resulting from:
 - insufficient and/or abnormal capacity of the electrical systems (current/voltage/frequency, including spikes and/or outages);
 - inadequate or interrupted water supply, steam, air, gas (including impurities and/or other that does not comply with the technical requirements for each appliance);
 - plumbing parts, components or consumable cleaning products that are not approved by the manufacturer;
 - customer's negligence, misuse, abuse and/or non-compliance with the use and care instructions detailed within the appropriate equipment documentation;
 - improper or poor: installation, repair, maintenance (including tampering, modifications and repairs carried out by third parties not authorized third parties) and modification of safety systems;
 - Use of non-original components (e.g.: consumables, wear and tear, or spare parts);
 - environment conditions provoking thermal (e.g. overheating/freezing) or chemical (e.g. corrosion/oxidation) stress;
 - foreign objects placed in- or connected to- the product;
 - accidents or force majeure;
 - transportation and handling, including scratches, dents, chips, and/or other damage to the finish of the product, unless such damage results from defects in materials or workmanship and is reported within one (1) week of delivery unless otherwise agreed;
- product with original serial numbers that have been removed, altered or cannot be readily determined;
- replacement of light bulbs, filters or any consumable parts;
- any accessories and software not approved or specified by Electrolux Professional.

Warranty does not include scheduled maintenance activities (including the parts required for it) or the supply of cleaning agents unless specifically covered within any local agreement, subject to local terms and conditions.

Check on Electrolux Professional website the list of authorized customer care.

3 Appliance layout

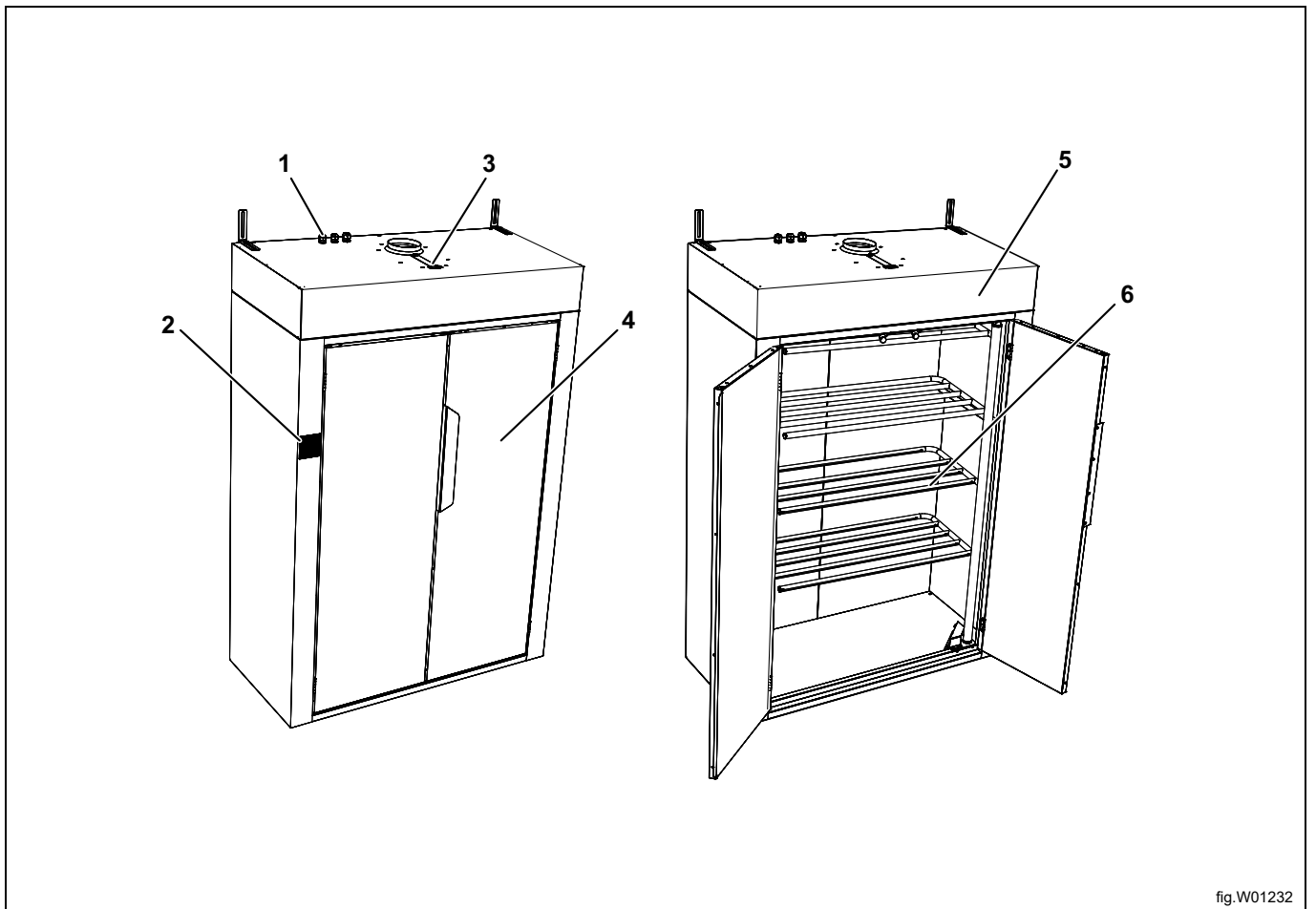


fig.W01232

1	Hole for power cord
2	Control panel
3	Damper
4	Doors
5	Fan unit / Electrical control unit (behind the panel)
6	Expandable hanger unit

4 Air flow

The figure shows the air flow in the drying cabinet.

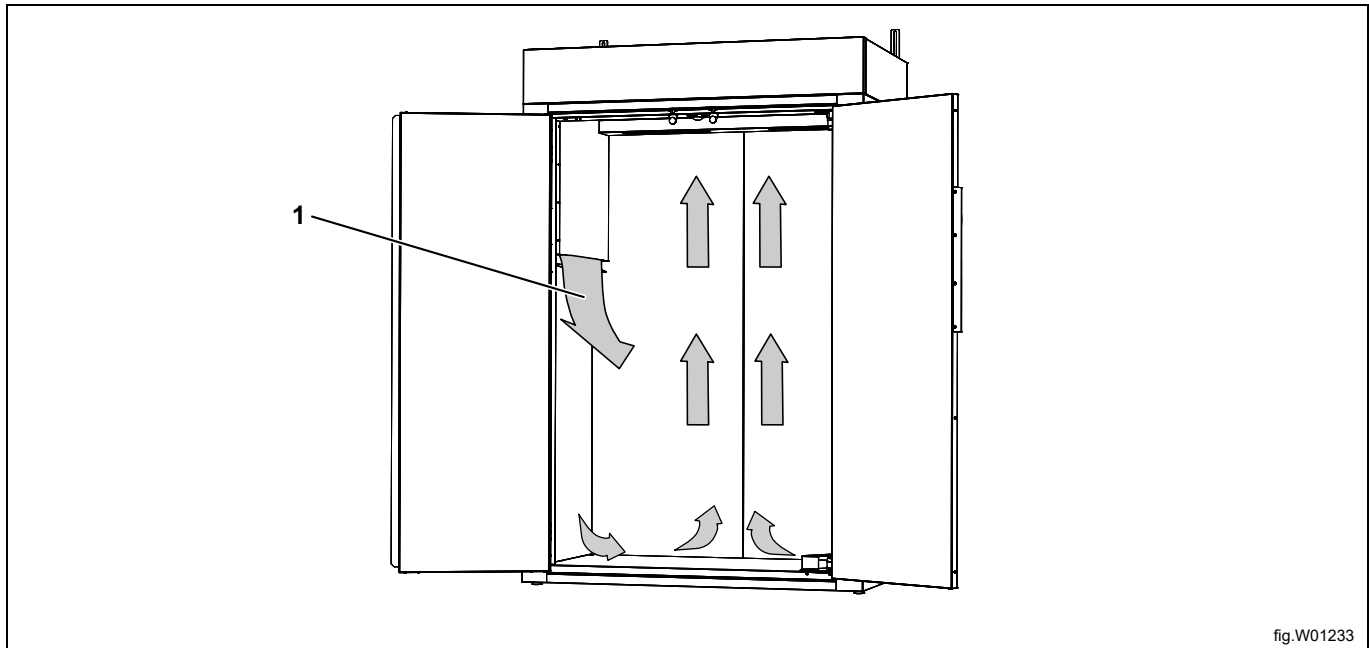


fig.W01233

1	Air is blown in on the left and right sides
---	---

5 Operation

5.1 Operation

Expand the hanger unit and hang the laundry evenly over the hangers.

Close the hanger unit and close the doors.

Select a drying program (A). The lamp indicates which program has been selected (B). Drying will start when the program button is pressed.

The drying cabinet will stop automatically when the laundry is dry and the program will switch over to cool-down.

To cancel the drying cycle, press the stop button (C).

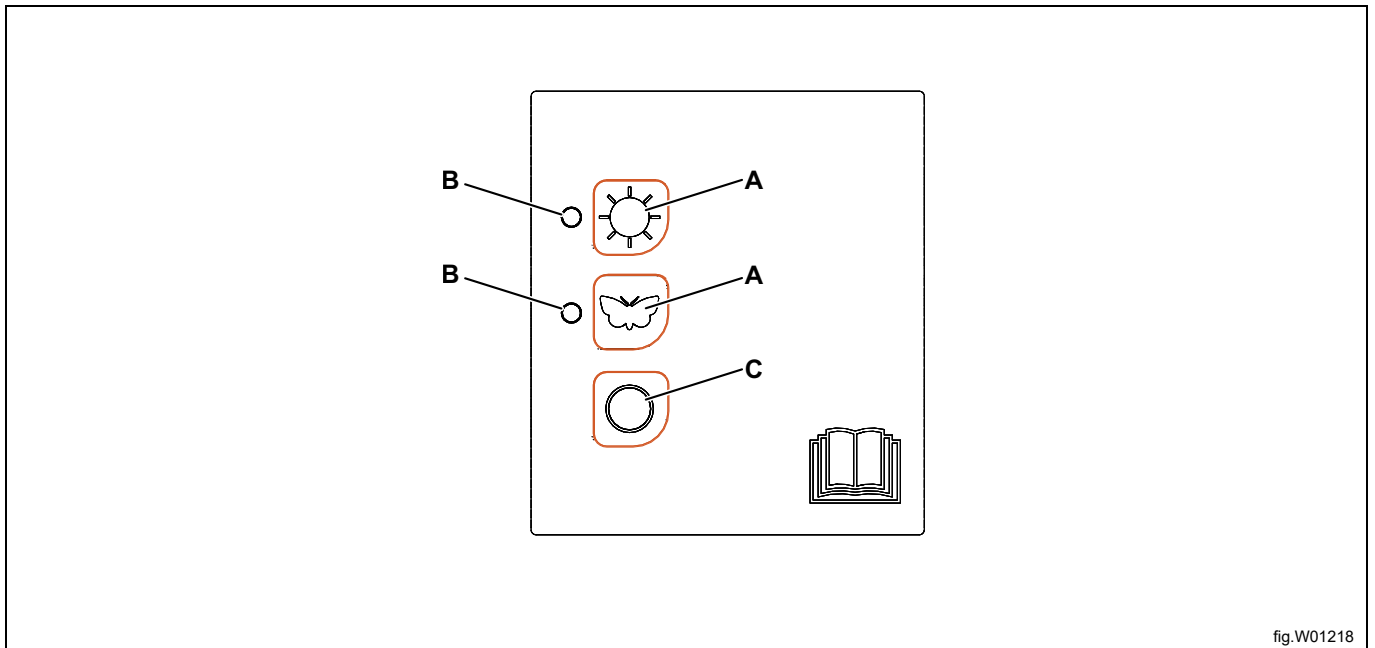


fig.W01218

Pause

Open one of the doors to pause the drying cycle. The heat will be turned off, but the fan will continue to run for five minutes. The lamp for the paused drying program will flash during these five minutes.

If the door is closed during this five-minute period, the paused drying program will resume.

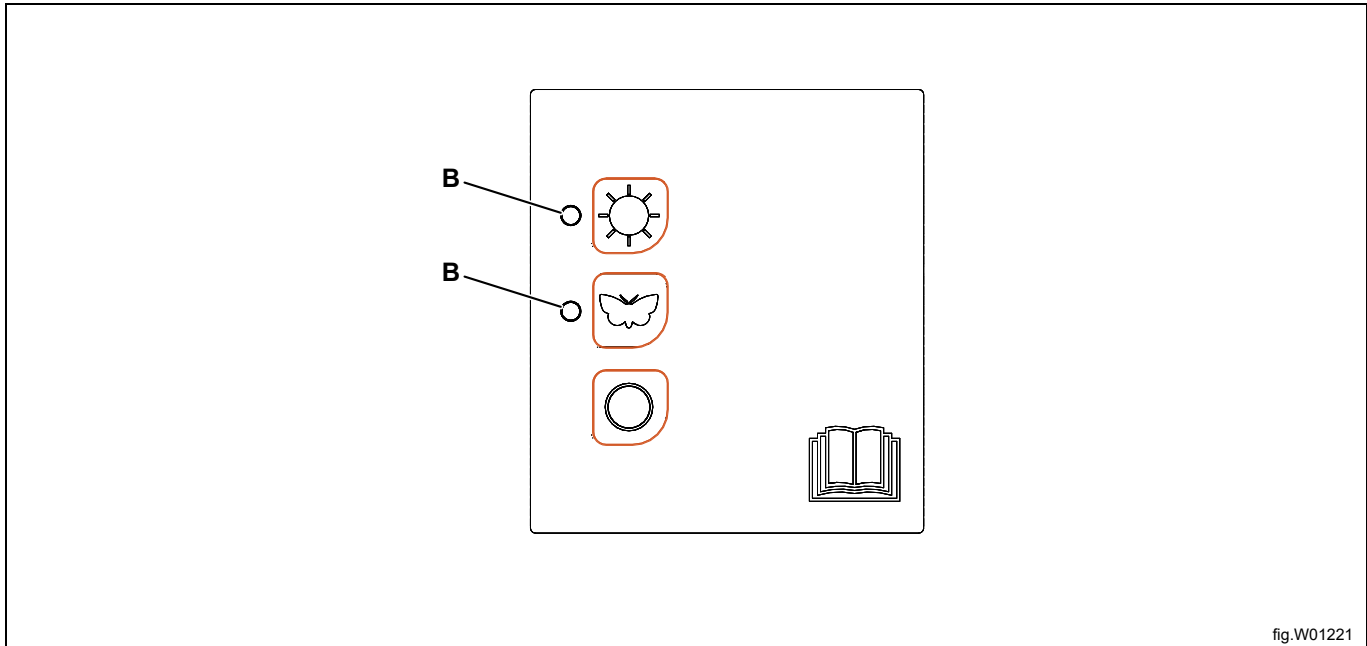
If the door is not closed during this five-minute period, the drying program is stopped and must be restarted manually.

5.2 Program description

	<p>Normal drying.</p>
	<p>Gentle drying of sensitive material.</p>

The drying programs are divided into two sequences, as indicated by the lamp (B):

1. Drying: The lamp (B) remains lit.
2. Cool-down period: The lamp (B) flashes.



5.3 Loads

For optimum energy efficient drying, operate with a full load and do not open either door until the appliance has stopped. If the door is opened during drying, the drying time will increase.

The drying cabinet has an expandable hanger unit. Hanging the laundry according to the following instructions will result in the most efficient drying result.

- Hang the items in the drying cabinet according to how much room they require and not according to their weight.
- Do not lie the garments flat over the upper part of the hanger unit.
- Hang gloves, caps, scarves and the like on the hanger bars on the inside of the doors.
- Do not overload the drying cabinet. The laundry will become creased and dry unevenly. Leave some space between the items if possible.
To avoid the transferring of colors, make sure materials are not touching each other.
- Avoid drying thick items at the same time as lighter items as they hold more moisture and have completely different drying times. If so, remove the lighter items when they are dry to reduce the drying time for the thick items that are left.
- Do not hang knitted items. These will stretch unnecessarily as they are heavy when wet.
Follow the instructions on the care label of the garment as far as possible.

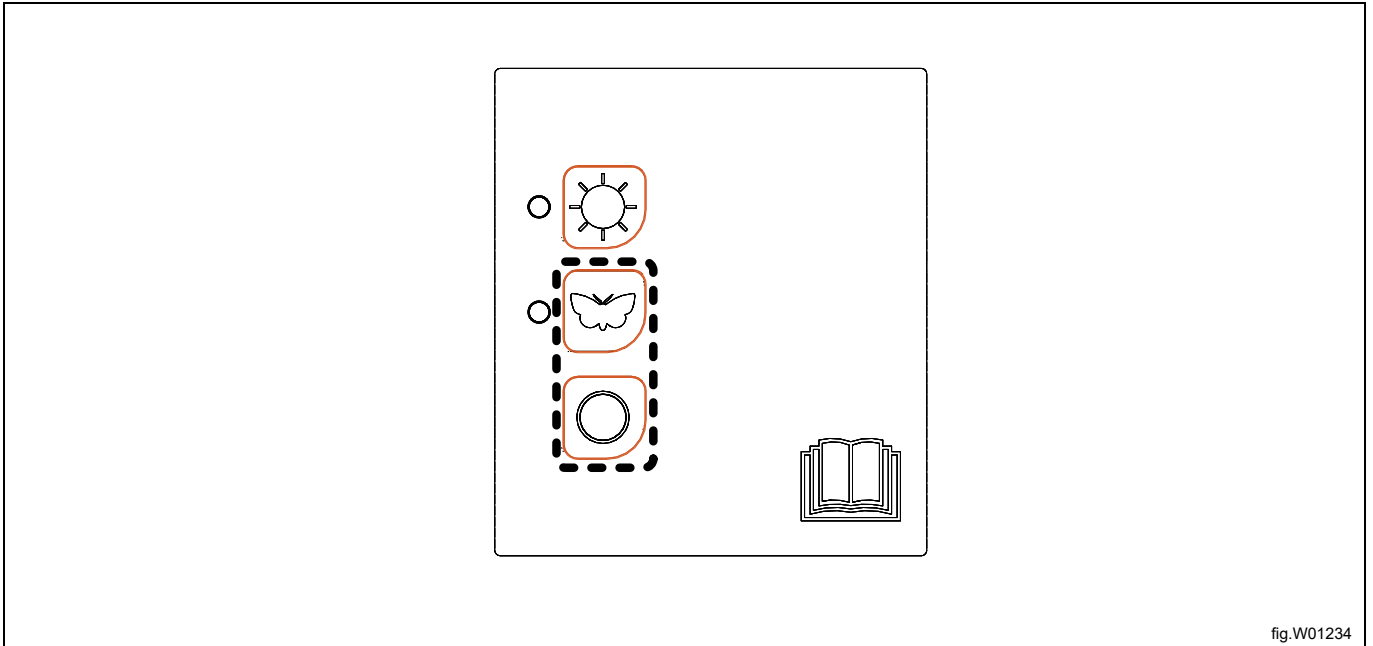
5.4 Child safety lock

At delivery, the child safety lock is deactivated.

When activated, the program buttons/stop button must be pressed for at least three seconds (delay period) before the program starts/stops.

Activate/deactivate the child safety lock

Press and hold the stop button and the butterfly button at the same time until both of the lamps are flashing. The flashing lamps indicate activation or deactivation of the child safety lock.

**5.5 Overheat protection**

The drying cabinet is equipped with an overheat protection function that is reset automatically.

When the overheat protection has been activated, the drying cabinet will not be able to start.

Once the temperature inside the drying cabinet has returned to normal (this can take up to 10–15 minutes), the drying cabinet can be started again.

Before starting, make sure that the filter is clean. If the filter is not clogged and the cabinet stops, you can remove some of the laundry.

If none of these measures helps and it is still not possible to switch on the drying cabinet, contact a supplier or service personnel.

5.6 Filter

Note!

The drying cabinet must not be used if the filter is removed.

Note!

The user is responsible for checking and cleaning the filter after each drying program.

The filter is located in the ceiling of the drying cabinet.

Remove the filter by pulling the handle.

Clean the filter on both sides.

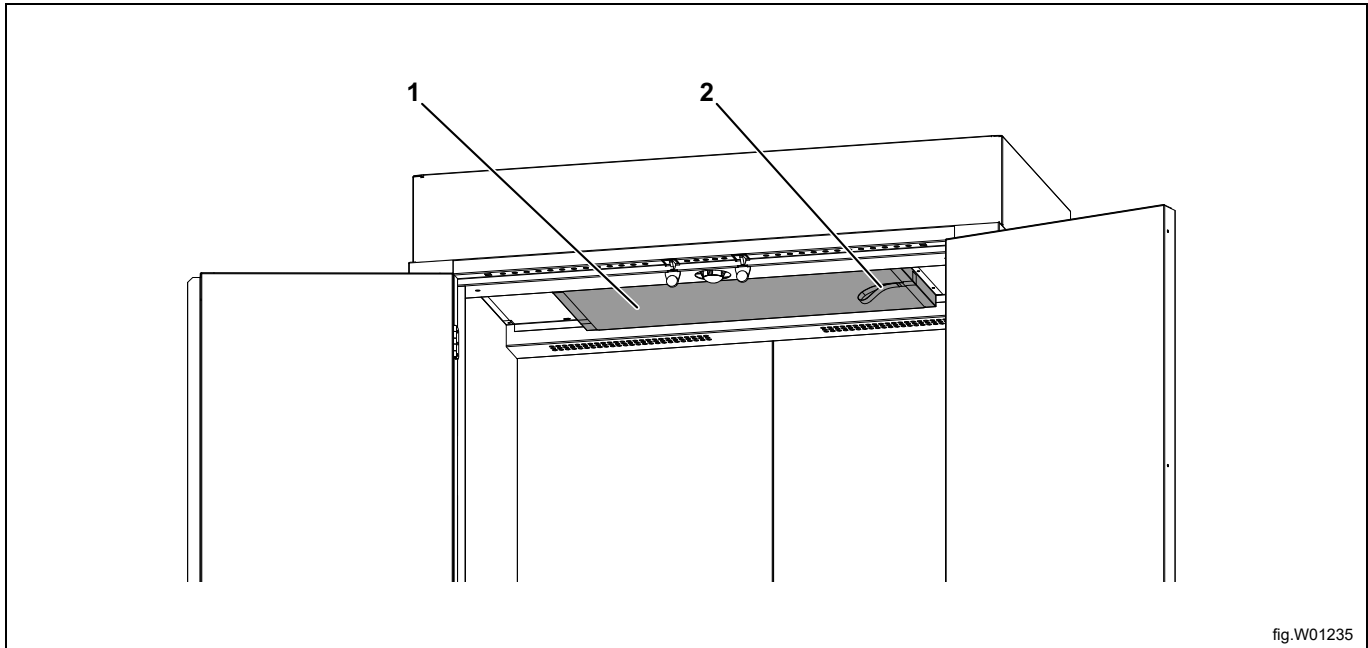


fig.W01235

1	Filter
2	Handle

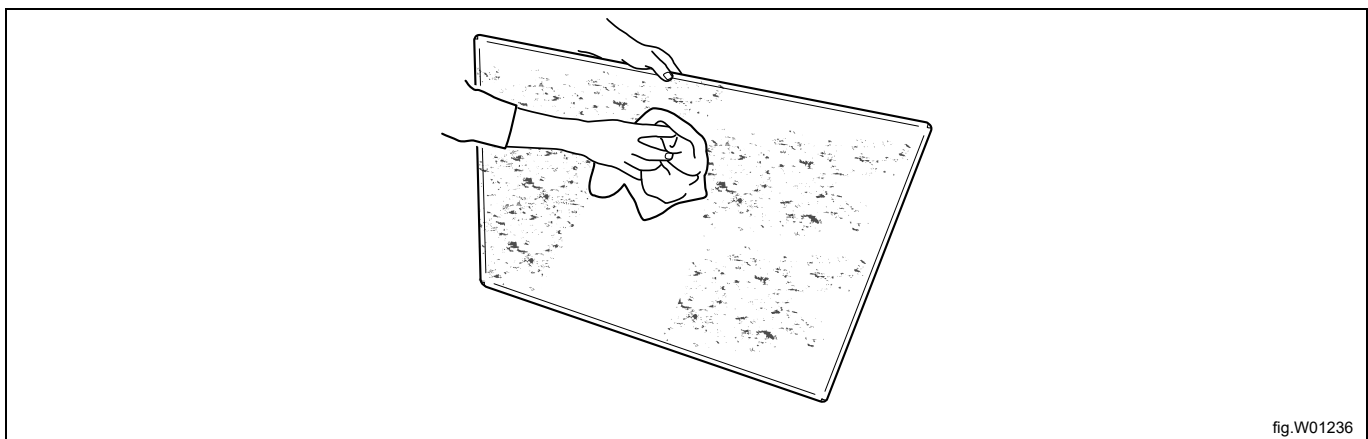


fig.W01236

Reinstall the filter and press it into place.

6 Maintenance

It is the responsibility of the owner of the appliance/the laundry manager to make sure that maintenance is performed regularly.

Note!

Lack of maintenance may deteriorate the performance of the appliance and may cause damage to components.

Every day

Clean the doors and other external parts.

Clean the filter and check for damage. Replace if needed. See page 12.

Remove any lint and dust from inside and around the appliance.

7 Servicing

Before contacting the service department, you should find out the name, article number and serial number of the drying cabinet.

This information can be found on the identification plate (A) located inside the cabinet.

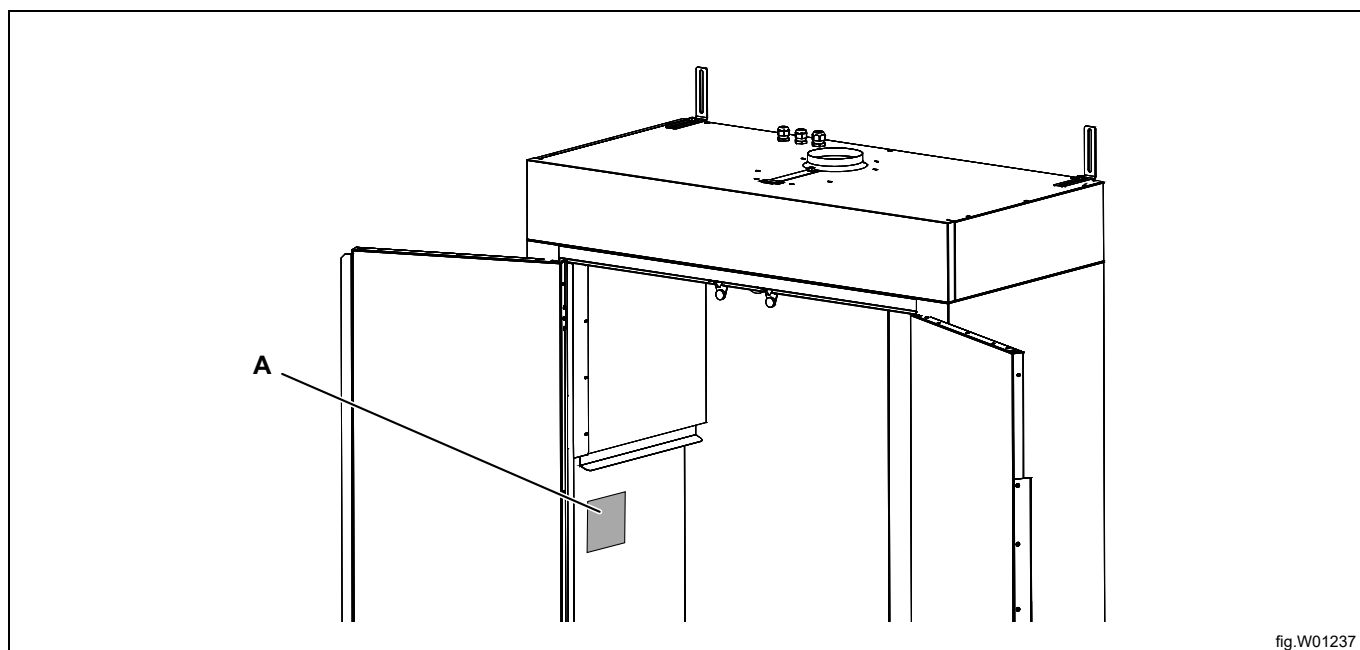


fig.W01237

8 Disposal information

8.1 Disposal of appliance at end of life

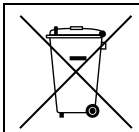
Before disposing of the machine, make sure to carefully check its physical condition, and in particular any parts of the structure that can give or break during scrapping.

The machine's parts must be disposed of in a differentiated way, according to their different characteristics (e.g. metals, oils, greases, plastic, rubber, etc.).

Different regulations are in force in the various countries, therefore comply with the provisions of the laws and competent bodies in the country where scrapping takes place.

In general, the appliance must be taken to a specialised collection/scrapping centre.

Dismantle the appliance, grouping the components according to their chemical characteristics, remembering that the compressor contains lubricant oil and refrigerant fluid which can be recycled, and that the refrigerator and heat pump components are special waste assimilable with urban waste.



The symbol on the product indicates that this product should not be treated as domestic waste, but must be correctly disposed of in order to prevent any negative consequences for the environment and human health. For further information on the recycling of this product, contact the local dealer or agent, the Customer Care service or the local body responsible for waste disposal.




Note!

When scrapping the machine, any marking, this manual and other documents concerning the appliance must be destroyed.

8.2 Disposal of packing

The packing must be disposed of in compliance with the current regulations in the country where the appliance is used. All the packing materials are environmentally friendly.

They can be safely kept, recycled or burned in an appropriate waste incineration plant. Recyclable plastic parts are marked as following examples.

 <p>PE</p>	<p>Polyethylene:</p> <ul style="list-style-type: none"> • Outer wrapping • Instructions bag
 <p>PP</p>	<p>Polypropylene:</p> <ul style="list-style-type: none"> • Straps
 <p>PS</p>	<p>Polystyrene foam:</p> <ul style="list-style-type: none"> • Corner protectors



Electrolux Professional AB
341 80 Ljungby, Sweden
www.electroluxprofessional.com