

User manual Drying Cabinet

DC7-10HP



Electrolux
PROFESSIONAL

Contents

Contents

1	Safety Precautions	5
1.1	General safety information.....	5
1.2	Symbols.....	5
2	Warranty terms and exclusions.....	6
3	Appliance layout.....	7
3.1	Components.....	7
3.2	Before first use	9
3.3	Air flow.....	10
4	Master and slave dehumidification units	11
5	Operation	12
5.1	Program description	12
5.2	Loads	13
5.3	Child lock	14
6	Weight reduction	15
6.1	Lift out the shoe rack.....	15
6.2	Take off the doors	15
6.3	Remove the dehumidification units.....	17
6.4	Remove the hanger section	20
7	Maintenance	21
8	Servicing	22
9	Troubleshooting	23
10	Error codes	24
11	Disposal information	25
11.1	Appliance recyclability and disposal	25
11.1.1	Recyclability.....	25
11.1.2	Procedure regarding appliance disposal and component / material recovery.....	25
11.2	Disposal of packing.....	25

The manufacturer reserves the right to make changes to design and component specifications.

1 Safety Precautions

WARNING. This appliance is intended only for drying textiles washed in water.

DO NOT MODIFY THIS APPLIANCE.

Servicing shall be carried out only by authorized personnel.

Only authorized spare parts shall be used.

When performing service or replacing parts, the power must be disconnected.

Stationary appliances not fitted with means for disconnection from the supply mains having a contact separation in all poles that provide full disconnection under overvoltage category III, means for disconnection must be incorporated in the fixed wiring in accordance with the wiring rules.

A-weighted emission sound pressure level at workstations: <70 dB

Additional requirements for the following countries: AT, BE, BG, HR, CY, CZ, DK, EE, FI, FR, DE, GR, HU, IS, IE, IT, LV, LT, LU, MT, NL, NO, PL, PT, RO, SK, SI, ES, SE, CH, TR, UK:

- This appliance can be used in public areas.
- This appliance can be used by children aged from 8 years and above and persons with reduced physical, sensory or mental capabilities or lack of experience and knowledge if they have been given supervision or instruction concerning use of the appliance in a safe way and understand the hazards involved. Children shall not play with the appliance. Cleaning and user maintenance shall not be made by children without supervision.

Additional requirements for other countries:





- This appliance is not intended for use by persons (including children) with reduced physical, sensory or mental capabilities, or lack of experience and knowledge, unless they have been given supervision or instruction concerning use of the appliance by a person responsible for their safety. Children should be supervised to ensure that they do not play with the appliance.

1.1 General safety information

Do not hose down the machine with water.

In order to prevent damage to the electronics (and other parts) that may occur as the result of condensation, the machine should be placed in room temperature for 24 hours before being used for the first time.

1.2 Symbols

	Caution
	Caution, hot surface
	Read the instructions before using the machine.
	Be careful. The drying cabinet is top heavy and can tip over easily.

2 Warranty terms and exclusions

If the purchase of this product includes warranty coverage, warranty is provided in line with local regulations and subject to the product being installed and used for the purposes as designed, and as described within the appropriate equipment documentation.

Warranty will be applicable where the customer has used only genuine spare parts and has performed maintenance in accordance with Electrolux Professional AB user and maintenance documentation made available in paper or electronic format.

Electrolux Professional AB strongly recommends using Electrolux Professional AB approved cleaning, rinse and descaling agents to obtain optimal results and maintain product efficiency over time.

The Electrolux Professional AB warranty does not cover:

- service trips cost to deliver and pick up the product;
- installation;
- training on how to use/operate;
- replacement (and/or supply) of wear and tear parts unless resulting from defects in materials or workmanship reported within one (1) week from the failure;
- correction of external wiring;
- correction of unauthorized repairs as well as any damages, failures and inefficiencies caused by and/or resulting from:
 - insufficient and/or abnormal capacity of the electrical systems (current/voltage/frequency, including spikes and/or outages);
 - inadequate or interrupted water supply, steam, air, gas (including impurities and/or other that does not comply with the technical requirements for each appliance);
 - plumbing parts, components or consumable cleaning products that are not approved by the manufacturer;
 - customer's negligence, misuse, abuse and/or non-compliance with the use and care instructions detailed within the appropriate equipment documentation;
 - improper or poor: installation, repair, maintenance (including tampering, modifications and repairs carried out by third parties not authorized third parties) and modification of safety systems;
 - Use of non-original components (e.g.: consumables, wear and tear, or spare parts);
 - environment conditions provoking thermal (e.g. overheating/freezing) or chemical (e.g. corrosion/oxidation) stress;
 - foreign objects placed in- or connected to- the product;
 - accidents or force majeure;
 - transportation and handling, including scratches, dents, chips, and/or other damage to the finish of the product, unless such damage results from defects in materials or workmanship and is reported within one (1) week of delivery unless otherwise agreed;
- product with original serial numbers that have been removed, altered or cannot be readily determined;
- replacement of light bulbs, filters or any consumable parts;
- any accessories and software not approved or specified by Electrolux Professional AB.

Warranty does not include scheduled maintenance activities (including the parts required for it) or the supply of cleaning agents unless specifically covered within any local agreement, subject to local terms and conditions.

Check on Electrolux Professional AB website the list of authorized customer care.

3 Appliance layout

3.1 Components

The drying cabinet has a swing-out hanger section with aluminium rods for hanging garments.

On the back of the rods there is curtain wire that can be used to attach the garments.

The entire hanger section can be changed from right- to left-hung.

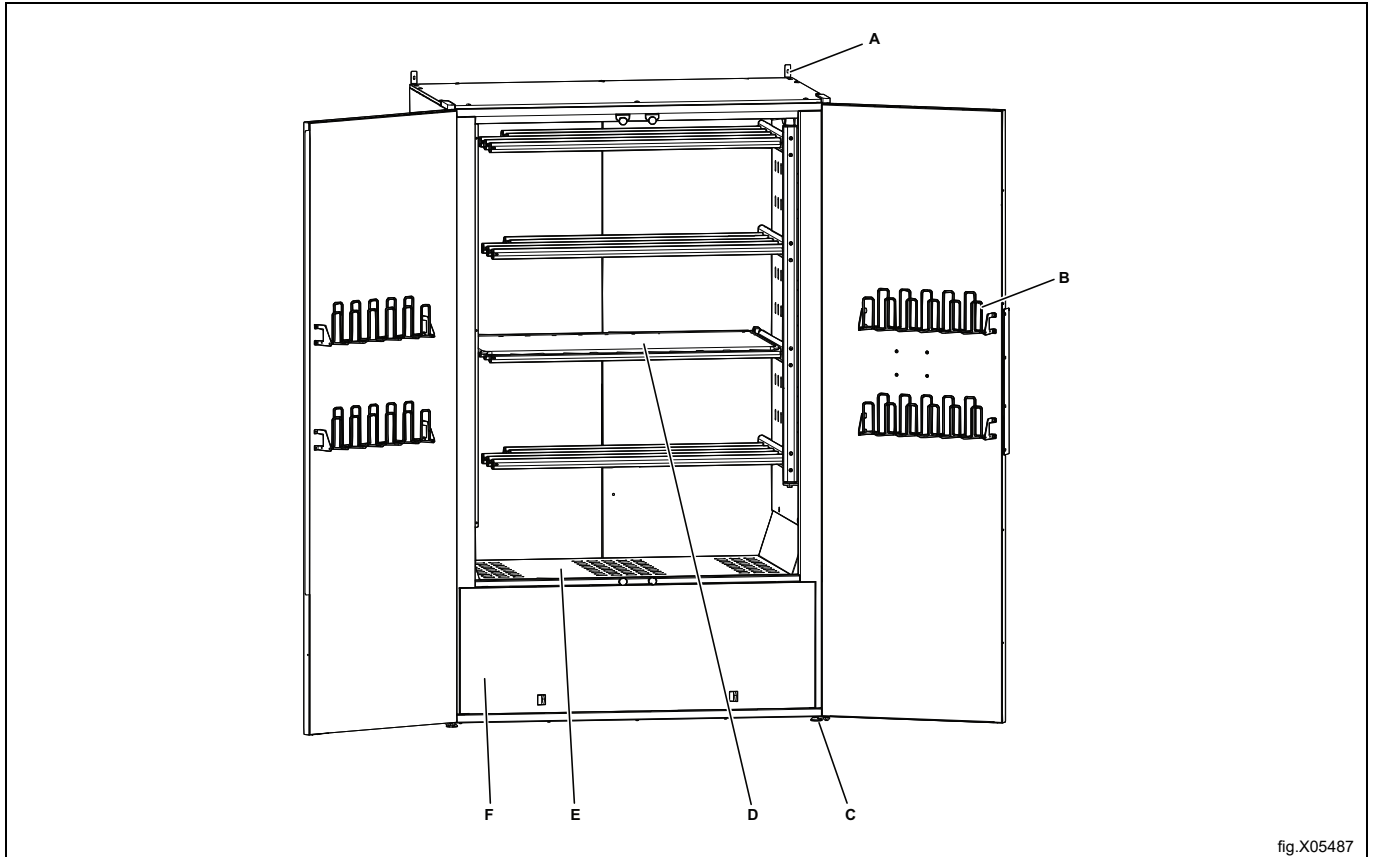


fig.X05487

A	Wall bracket x 2
B	Mitten hangers
C	Adjustable feet x 4
D	Swing-out hanger section
E	Shoe rack
F	Dehumidification unit x 2

The hanger section is mounted on the right side on delivery.
Instructions for re-hanging to the other side can be found in the Service manual.

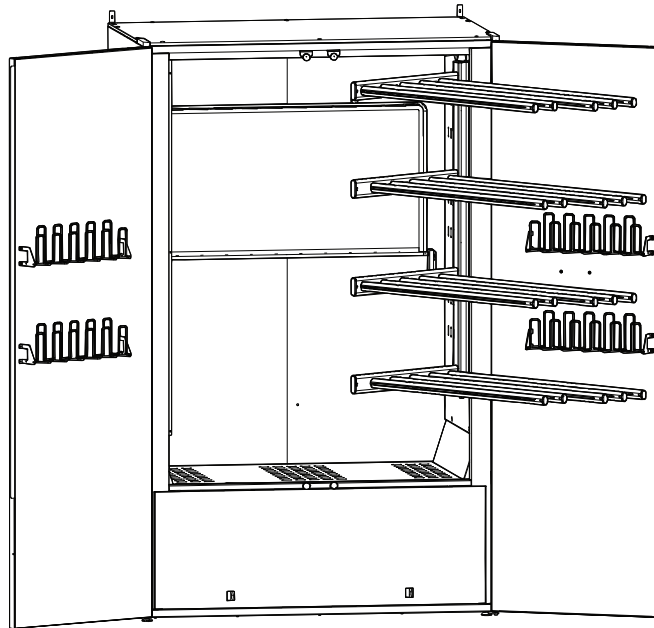


fig.X05488

3.2 Before first use

When the drying cabinet is installed and plugged in, it is important to wait **at least 3 hours** before it is put into use. This gives the oil in the compressors time to flow back, preventing damage to them.

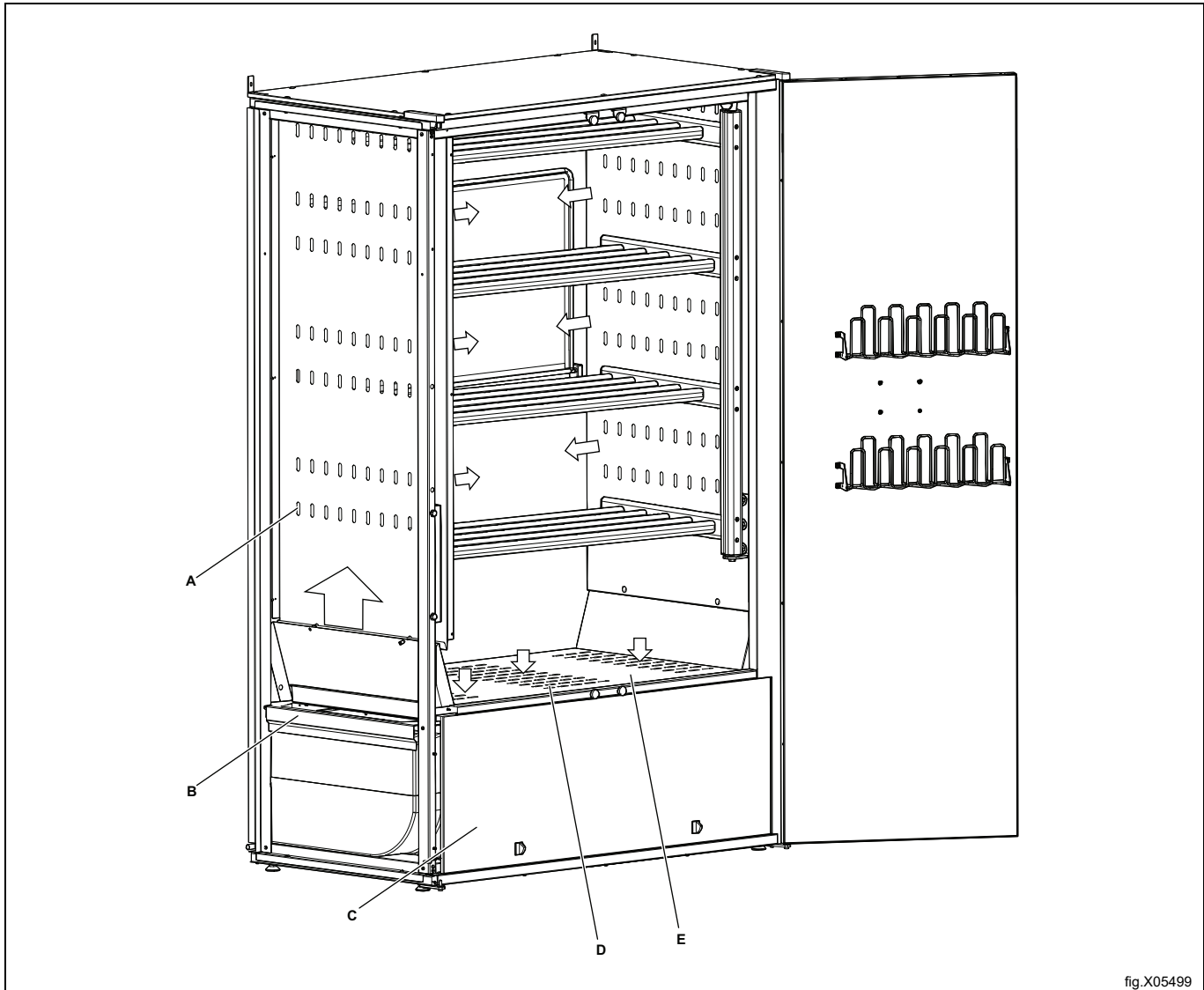
If the cabinet has been lying on its back during transit, wait **24 hours**.

- **Remove packaging materials:** Check carefully that no packaging material remains on or in the drying cabinet.
Cleaning: Wash the drying cabinet both inside and out with a solution of mild detergent and warm water. Use a soft cloth to dry the surfaces thoroughly.

3.3 Air flow

Note!

Make sure that garments placed in the drying cabinet do not block the airflow.



A	Airflow in 7 rows of holes on each side
B	Return air after dehumidification. Travels in channels along the sides
C	Dehumidification units, Master and Slave
D	Air intake to dehumidification units
E	Dust filter below the shoe rack

4 Master and slave dehumidification units

The drying cabinet has two dehumidification units, **MASTER** and **SLAVE**.

The left unit is **MASTER** and the right unit is **SLAVE**.

As the name suggests, **MASTER** controls the process which **SLAVE** follows. Should **SLAVE** fail, the drying cabinet will still work, but at reduced power. However, if **MASTER** stops working, the drying cabinet will stop. In this case, however, there is a possibility to continue the process:

You can temporarily switch it so that **SLAVE** becomes a temporary **MASTER**. This is described in more detail in the Service Manual.

Normally, field servicing is not possible for the dehumidification units. If servicing is required, the complete units should be dismantled and sent to the supplier, which has a replacement system for complete units.

The electrical connection is located on a switch panel on each unit. The panels face each other and are identical for **MASTER** and **SLAVE**.

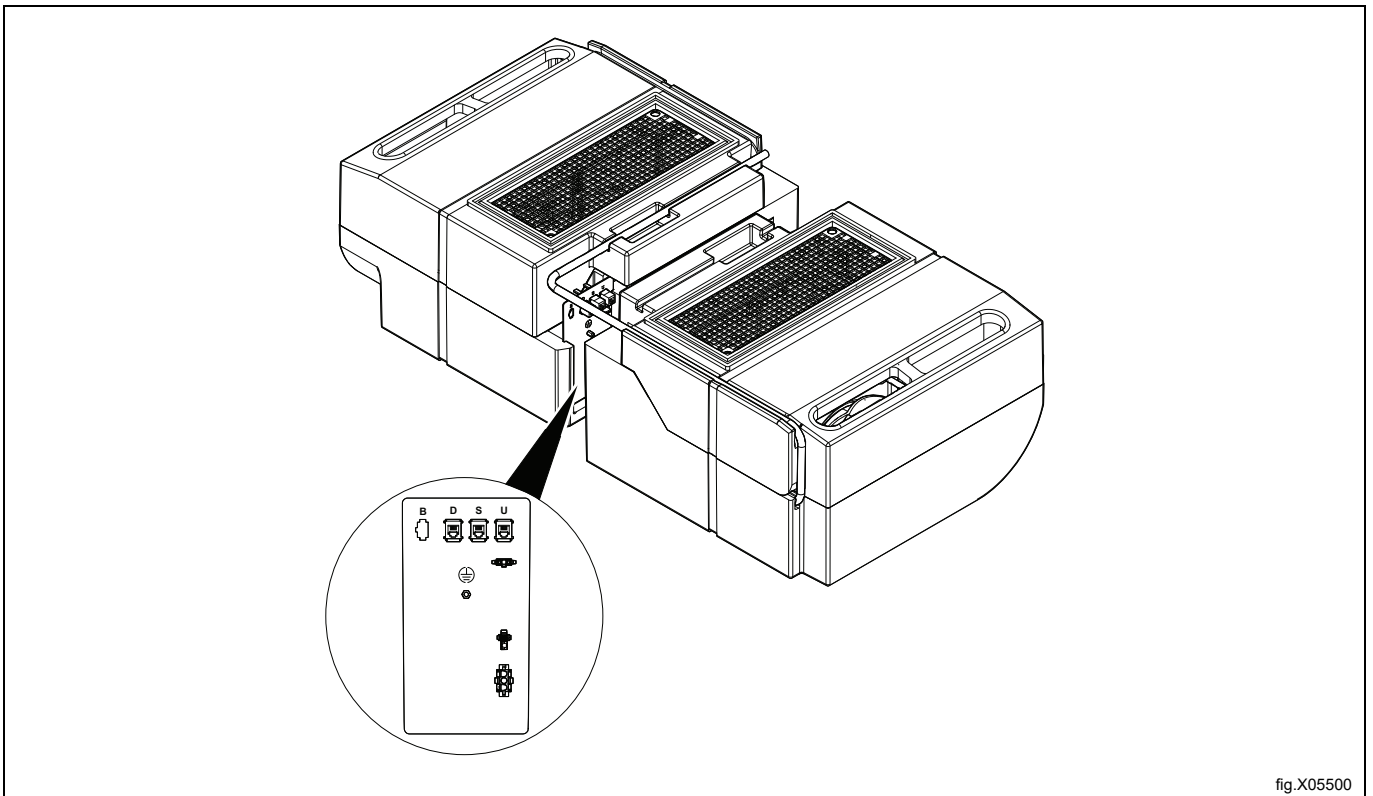


fig.X05500

5 Operation

- Position the laundry evenly spread out on the hangers and close the door.
- Select a drying program (A).
Drying will start when the program button is pressed. A symbol on the left side of the display (B) indicates that the drying process is in progress.
- The drying cabinet will stop automatically when the laundry is dry.
 - When the textiles are dry, the drying process switches to a cool-down period that ends automatically after 3 minutes.
 - During the cool-down period, the text "COOL" is shown on the display.
 - When the cool-down period is ended, the text "END" is shown on the display (flashing).
- To cancel the drying cycle, press the stop button (C).

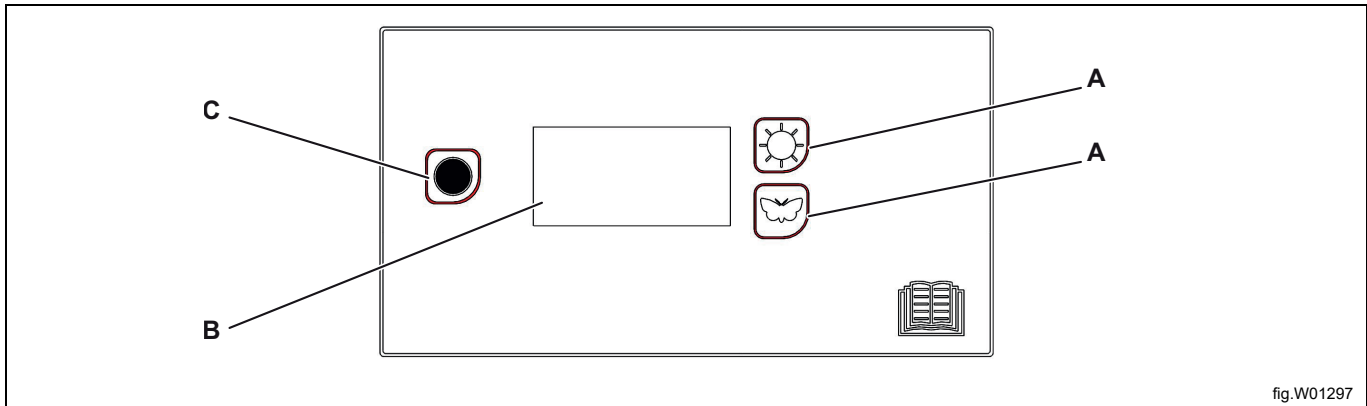


fig.W01297

A	Drying programs
B	Display
C	Stop button

5.1 Program description

	Normal drying
	Gentle drying of sensitive material

5.2 Loads

The cabinet has a four-section swing-out hanger unit. Each section has a number of rods on which the laundry can be hung.

On the back of all hanger rods there is **curtain wire** that can be used to attach garments.

- Hang the garments in the drying cabinet according to how much space they need.
- Hang gloves, hats, scarves and similar on the mitten hangers on the inside of the door.
- Do not overload the drying cabinet. Laundry then becomes wrinkled and drying is uneven.
- Instead, if possible, leave space between garments.
- If there is a risk of some laundry discolouring, you should leave free space around it.
- Avoid drying heavy and light garments together, as their drying times differ.
- Wet knitted products should not be hung on hangers, because they can stretch due to their weight.
- Avoid hanging dripping or running textiles in the drying cabinet as it is not designed to collect large amounts of water. It can also extend the drying time significantly.
- Always follow the garment's laundry instructions if provided.
- Remove any laundry that is already dry. This reduces the drying time for remaining laundry.



Warning



Do not dry clothing or similar items that have been treated with petrol or other volatile or flammable substances. This can cause an explosive gas mixture to form.

Note!

If the door has a tendency to open, clean the cleaning filter and check that the filter holders are correctly fitted to prevent air leakage.

5.3 Child lock

The child safety lock is a safety feature that prevents the drying process from being unintentionally started or changed. When activated, buttons must be held depressed for at least 3 seconds to produce the desired effect. Activating this drying cabinet setting may be a good idea for preschools and the like.

Note!

During operation, if the door is opened and then closed within 5 minutes, the drying process continues. If the door is open for more than 5 minutes, the drying process ends.

- Activate programming mode.
- Step to the parameter P 115 using the program selection buttons.
- Press STOP to save.
- Change the parameter to the value 1 for activation and the value 0 for deactivation.
- Press STOP to save.
- Exit programming mode with STOP + BUTTERFLY (STOP button first).
The display will restart and show "HELLO".

If the child safety lock mode is activated, this is indicated in the display through illumination of the "clock" symbol.

6 Weight reduction

The following can be done to reduce the weight of the drying cabinet and thus make it easier to install or move. It reduces the weight of the drying cabinet by half.

- Remove the shoe rack.
- Remove the doors.
- Remove the dehumidification units.
- Remove the hanger section.

6.1 Lift out the shoe rack

The shoe rack is easily lifted out of the cabinet.

6.2 Take off the doors

Right door

1. First, unscrew the top cover (A) which is secured by 10 screws.
2. Unscrew the cover (B) from the upper hinge and disconnect the connectors.
3. Remove the upper hinge (C) which is secured by two screws. Carefully pull the cable and hinge (D) apart. The hinge has a slot where the cable runs.
4. Lift the door off the bottom hinge.

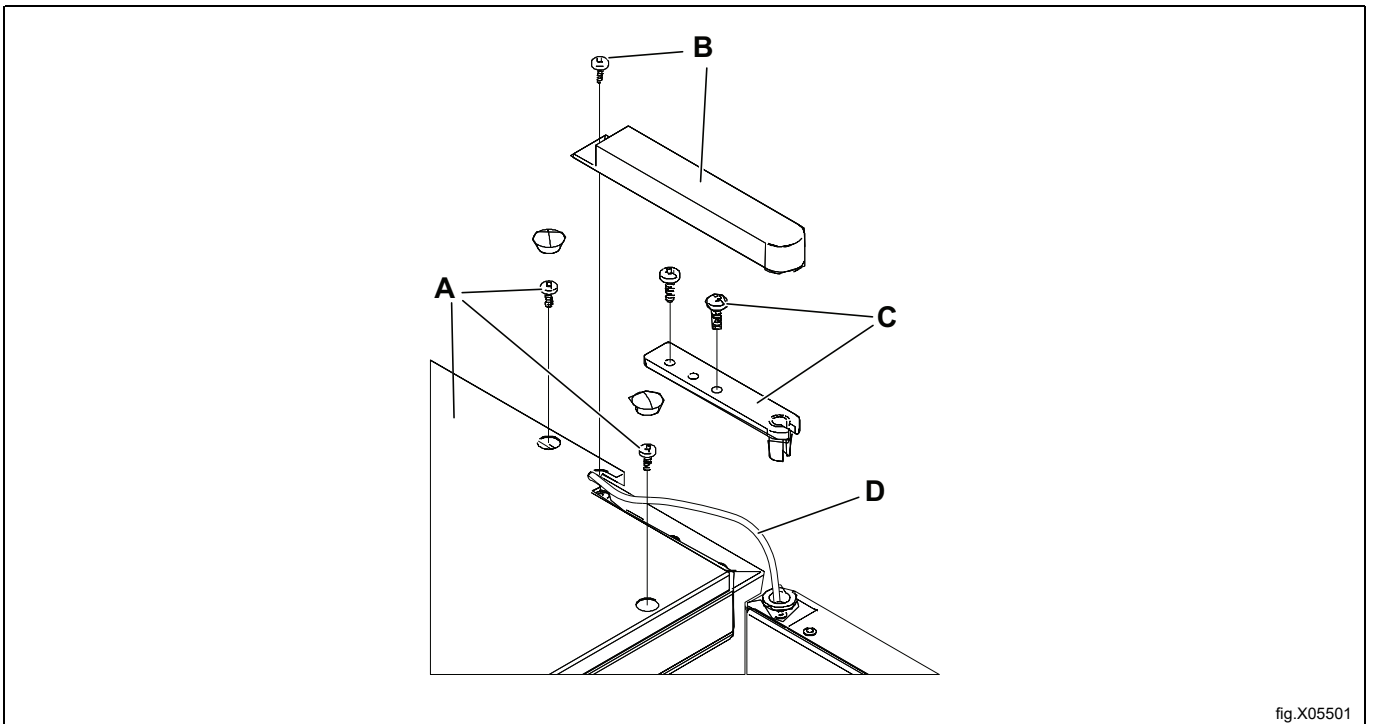


fig.X05501

Left door

1. Unscrew the cover (G) located above the hinge.
2. Remove the hinge (H) which is secured by two screws.
3. Lift the door off the bottom hinge.

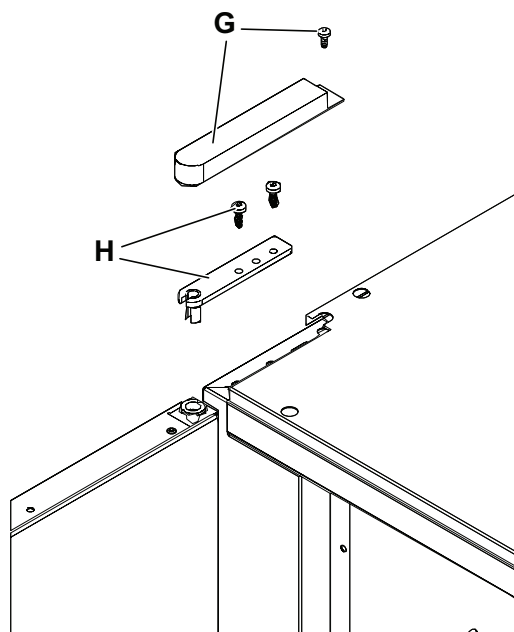
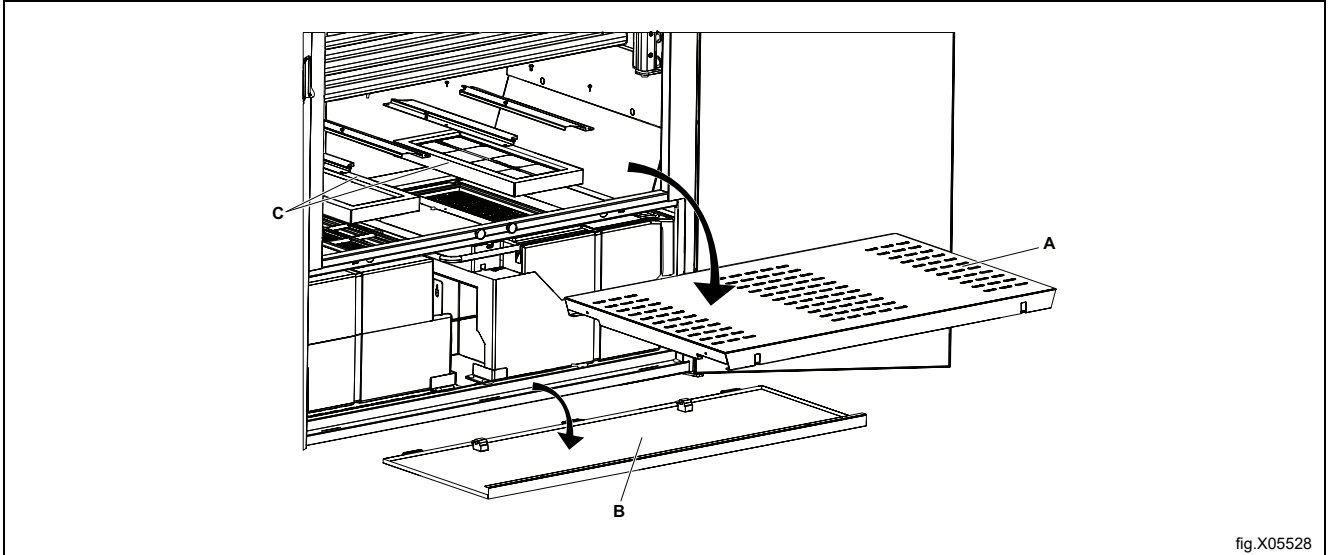


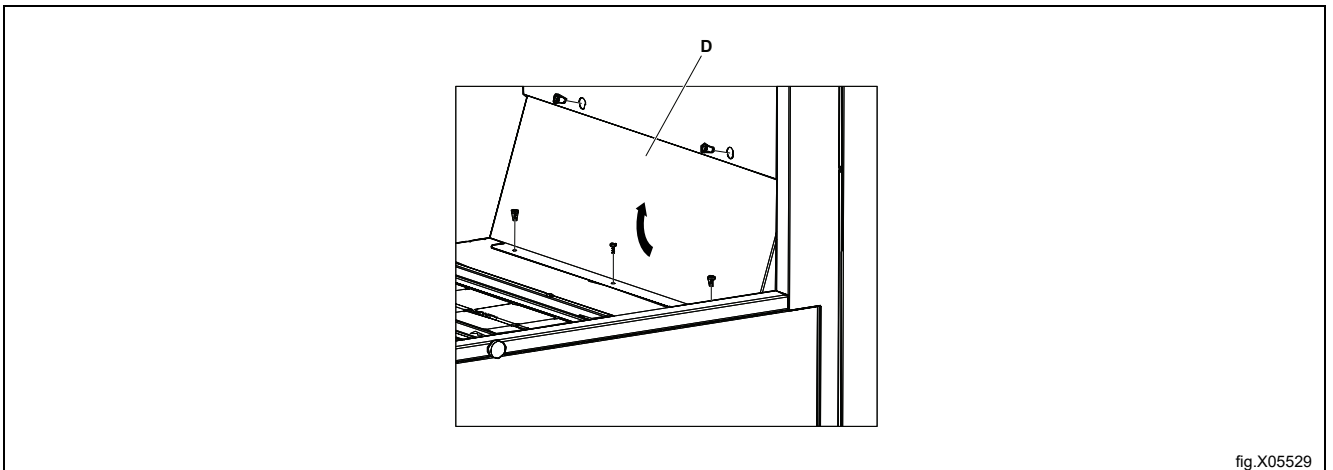
fig.X05502

6.3 Remove the dehumidification units

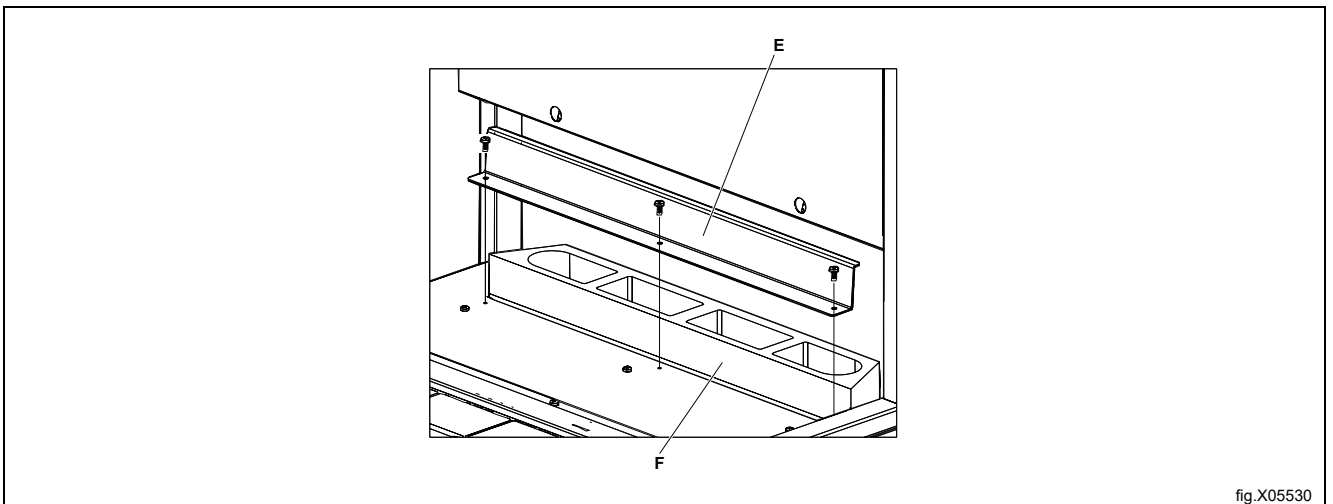
1. Remove the shoe rack (A).
2. Detach the front panel (B) which is secured by two screws on the inside. Disconnect the electrical connection between the door switches and the drying cabinet and then remove the front panel.
3. Unscrew the filter holders (C), 12 screws, and remove them and the filters.



4. Dismantle the two lower inner plates (D) on the right and left sides and remove them. 5+5 screws.



5. Unscrew the bracket (E) for the air deflector, which is secured by two screws. The air deflector (F) can then remain in place.



6. Unscrew the service hatch (G) at the bottom, which is secured by 6 screws.

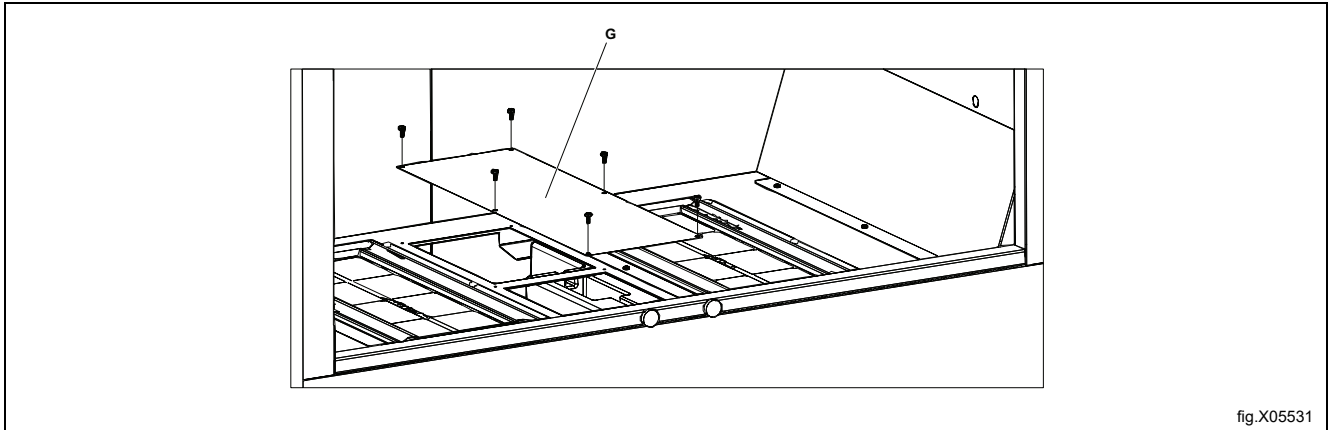


fig.X05531

7. Disconnect the electrical connections on the **Master** unit.
- a. Display
 - b. Slave
 - c. LED lighting
 - d. Door switch
 - e. Electrical connection

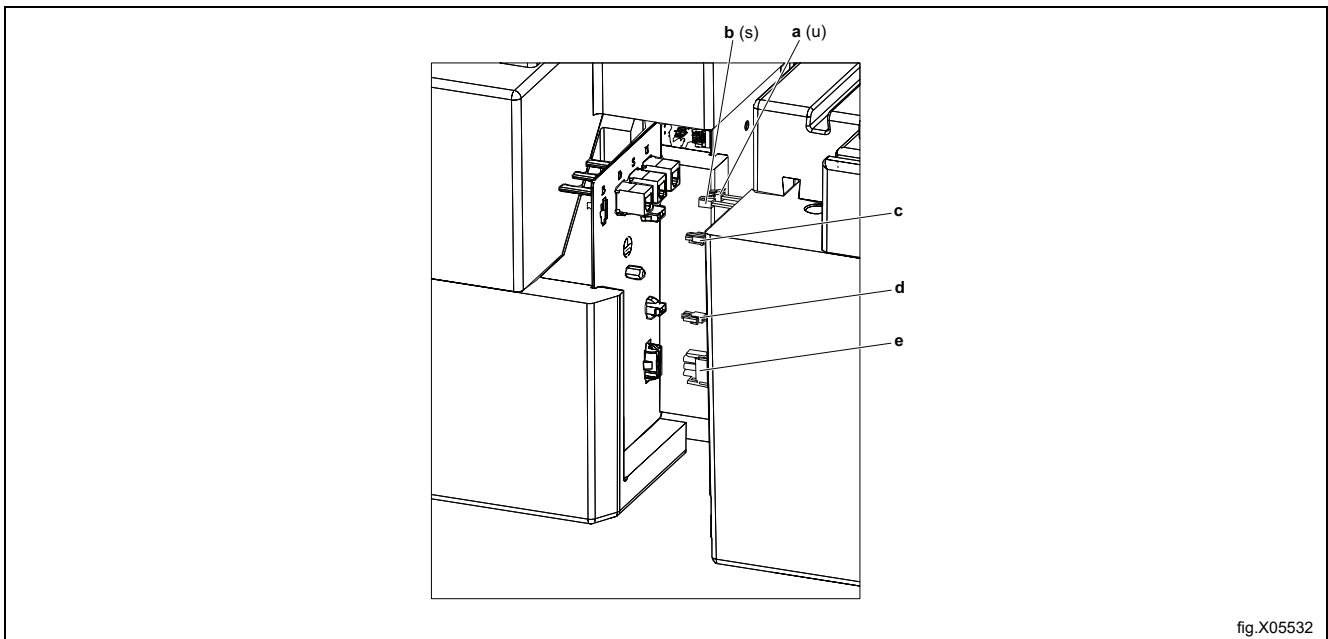


fig.X05532

8. Unscrew the two angle brackets holding the dehumidification units.

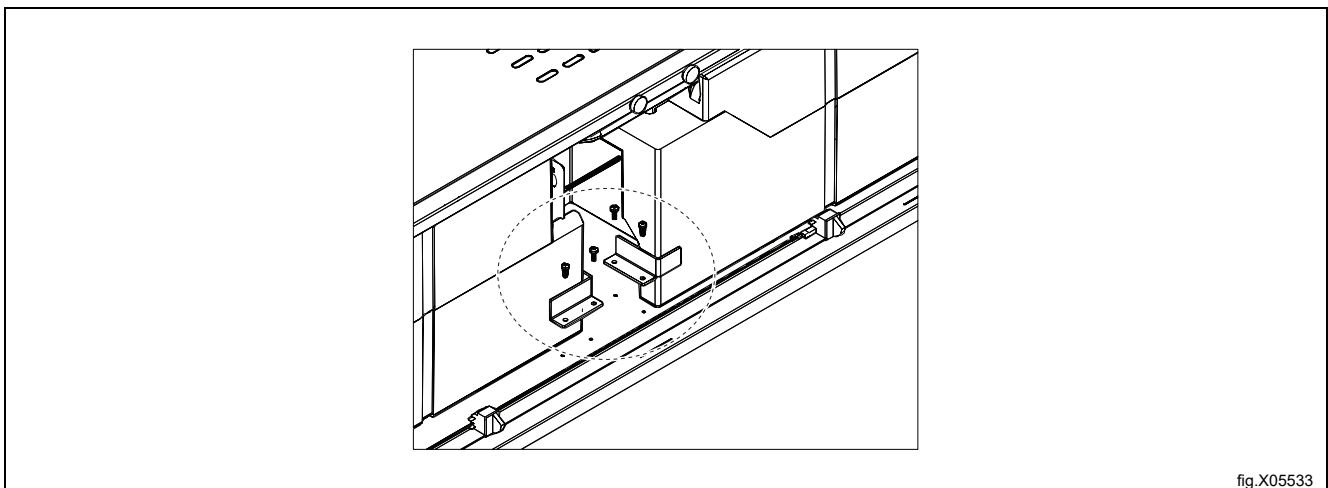
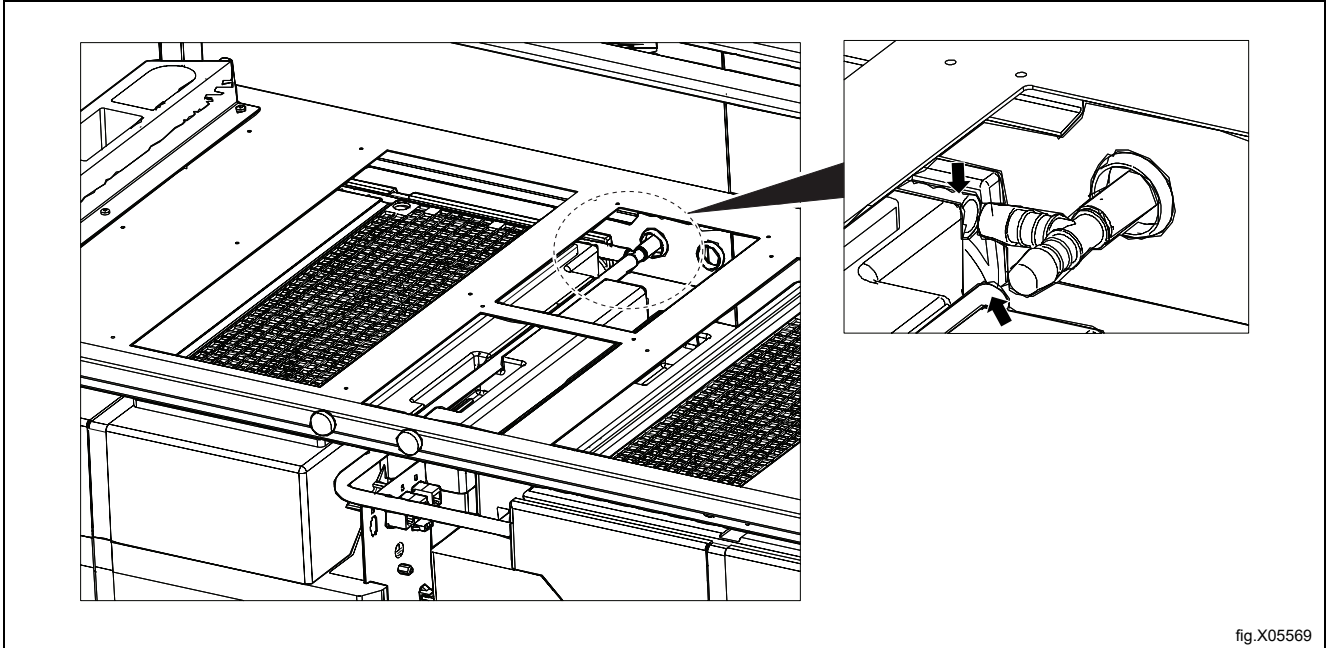
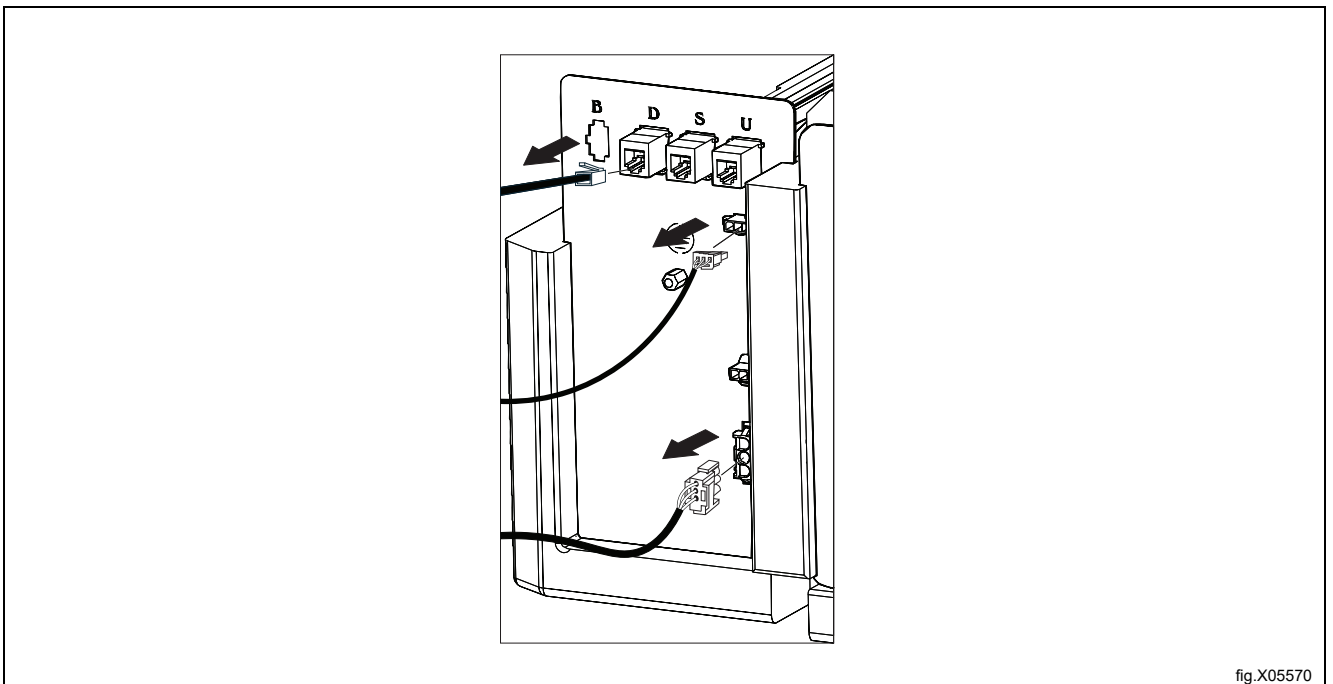


fig.X05533

9. Disconnect the drain hoses as shown, for the **Master** and the **Slave** unit.
Detach the hose from the **Master** unit and then pull out the **Master** unit.



10. Disconnect the electrical connections on the **Slave** unit and pull it out.



6.4 Remove the hanger section

1. Unscrew the upper hanger stop.
2. Lift up and remove the hanger section.

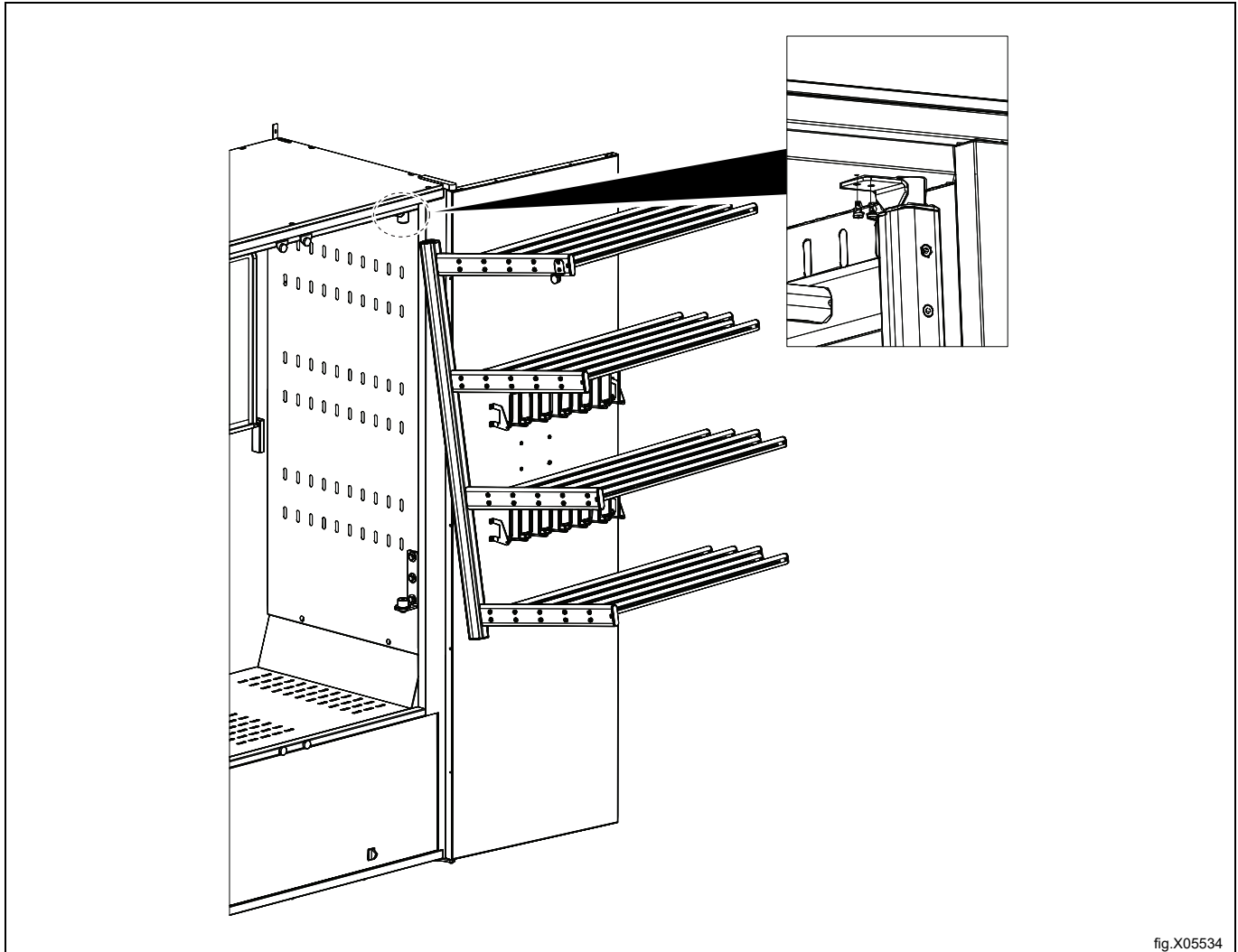


fig.X05534

7 Maintenance

It is the responsibility of the owner of the appliance/the laundry manager to make sure that maintenance is performed regularly.

Note!

Lack of maintenance may deteriorate the performance of the appliance and may cause damage to components.

Note!

High-pressure cleaning must not be carried out.

Use a mild soap solution on a damp cloth to clean the outside of the cabinet.

Do not use harsh cleaning agents that may damage the surface.

Before starting each program, check and clean the dust filters, which are located under the shoe rack (A). A clean filter ensures optimal performance and prevents dust from blocking airflow.

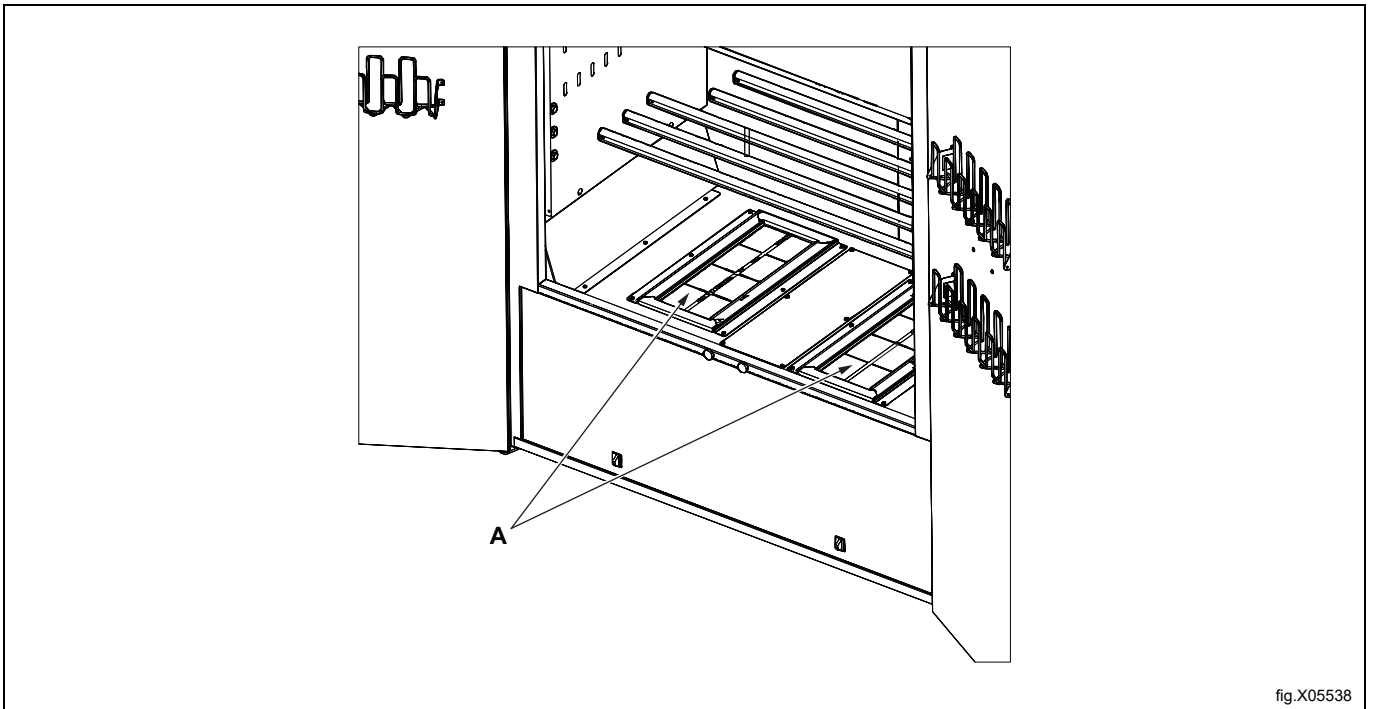


fig.X05538

8 Servicing

Before contacting the service department, you should find out the name, article number and serial number of the drying cabinet.

This information can be found on the identification plate located on the inside of the cabinet (A).

If the connection cable is damaged for any reason, it must be replaced.

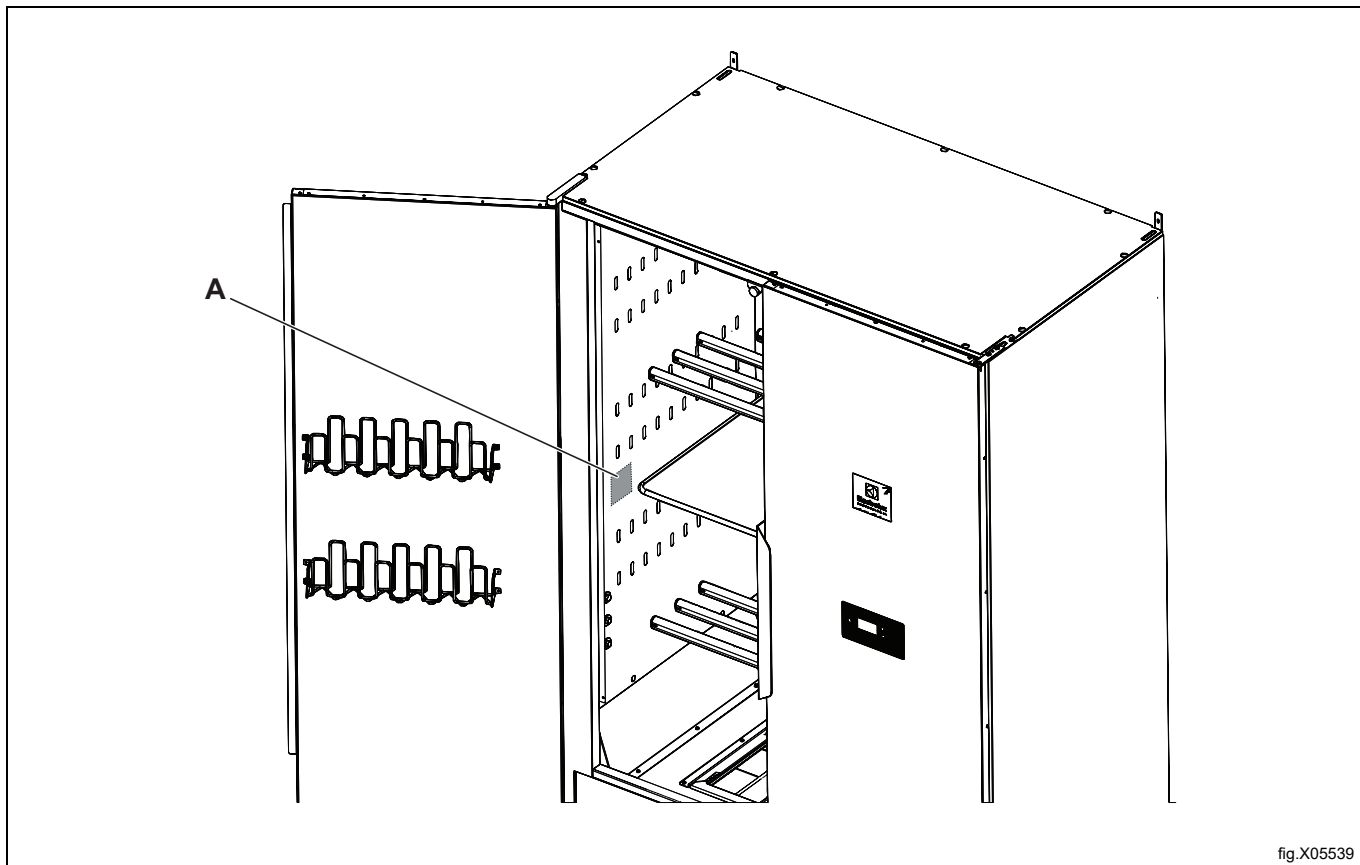


fig.X05539

9 Troubleshooting

Problem	What you can do
The drying cabinet does not work	<ol style="list-style-type: none"> 1. Check that the power cable is plugged into an electrical socket. 2. Check that no fuse has tripped. 3. Have you pressed the start button? 4. Is the door closed?
Drying takes a long time	<ol style="list-style-type: none"> 1. Clean both filters (must be done after each drying session). 2. Check that the right program was selected for the type of garments in question. 3. Check to ensure the garments are not extremely wet (poorly centrifuged). 4. Check that there is not too much laundry in the cabinet.
The laundry does not get dry	<ol style="list-style-type: none"> 1. Check that the right program was selected for the type of garments in question. 2. Check that there is not too much laundry in the cabinet. 3. The software that controls the drying process requires adjustment. Contact a service technician.
The sealing strip does not seal tightly/the door is ajar	<ol style="list-style-type: none"> 1. Check that the cabinet is level. Check using a spirit level. Adjust the adjustable feet if necessary. 2. Check that the filters and holder are correctly fitted. The holder should be pressed down against the underlying dehumidification unit to seal properly. 3. Check that no rubbish, gravel or similar has ended up below the holder for the filters, because this will prevent it from sealing tightly.
The display shows: "PLEASE CLOSE THE DOOR"	<ol style="list-style-type: none"> 1. Check that the door closes tightly to activate the door switches (located along the bottom of the cover plate in front of the dehumidification units). 2. If necessary, try taping the switch and check if the warning disappears from the display when the door is closed.

10 Error codes

No.	Name	Description / Action
ER 03	Humidity sensor error	Contact a service technician
ER 04	Max time for drying process exceeded	Contact a service technician
ER M 08	Clean the filter in the MASTER unit	100 hours have passed since the last filter cleaning (alarm reset). The error code regards the Master unit. Clean both filters.
ER S 08	Clean the filter in the SLAVE unit	100 hours have passed since the last filter cleaning (last reset). Clean both filters.
ER M 10 ER S 10	Check the water pump	Contact a service technician
ER M 12 ER S 12	Communication time out	Contact a service technician

To reset an error code, hold down the **START/STOP** button for 5 seconds.

11 Disposal information

11.1 Appliance recyclability and disposal

11.1.1 Recyclability

Our appliances are manufactured using a significant percentage of recyclable metals (such as stainless steel, iron, aluminium, galvanized sheet, copper, etc.), which can be recovered through the local recycling systems, in compliance with the regulations in force in the country of use.

National regulations regarding waste disposal may vary. Disposal of the appliance must therefore be carried out in accordance with the applicable legislation and the directives issued by the competent authorities in the country where the appliance is decommissioned.

The components of the appliance must be separated and disposed of in accordance with their material composition (e.g. metals, oils, greases, plastics, rubber, refrigerant gases, insulating boards and other insulating material, glass wool, LEDs, etc.) and in full compliance with applicable local and international waste management regulations.

Compressors may contain oils and refrigerants fluids - are special waste and has to be recycled on local bases regulations.

11.1.2 Procedure regarding appliance disposal and component / material recovery

This product should not simply be disposed of in the environment at the end of its life cycle; it is imperative instead either to dispose of it in accordance with local environmental regulations, or, preferably, to deliver it whole to an authorized recycling center.

All removed components, including doors and other structural parts, must be delivered together with the appliance to an authorized recycling or dismantling facility.

The dismantling/recycling center will apply state of the art technologies and methods available to them to effectively disassemble the products for best recyclability.

Note that printed circuit boards, electrical motors or other components identified in European Union legislation to be of high critical raw materials recovery potential need to be addressed specifically.

In case of doubts or questions, always refer to your reference customer care service.

Before disposing of the appliance, carefully inspect its physical condition and preservation state, checking for potential leaks of liquids or gases, as well as for broken parts that may pose hazards during handling and subsequent dismantling.



The symbol on the product indicates that this product should not be treated as domestic waste, but must be correctly disposed of in order to prevent any negative consequences for the environment and human health. For further information on the recycling of this product, contact the local dealer or agent, the customer care service or the local body responsible for waste disposal.



Note!

When dismantling the appliance, any marking, this manual and other documents concerning the appliance must be destroyed.

11.2 Disposal of packing

The packing must be disposed of in compliance with the current regulations in the country where the appliance is used. All the packing materials are environmentally friendly.

They can be safely kept, recycled or burned in an appropriate waste incineration plant. Recyclable plastic parts are marked as following examples.

	Polyethylene: <ul style="list-style-type: none"> • Outer wrapping • Instructions bag
	Polypropylene: <ul style="list-style-type: none"> • Straps
	Polystyrene foam: <ul style="list-style-type: none"> • Corner protectors



Electrolux Professional AB
341 80 Ljungby, Sweden
www.electroluxprofessional.com