

Hot cylinder ironers

IC63316, IC63320



Images shown are a representation of the product only and variations may occur.

Features and benefits

- Easy to use control panel
- Ergonomic working height
- Finger guard protection providing additional security for operators
- Pressure roll with a Nomex® padding for a good ironing quality
- Durable ironing belts made of Nomex® which can withstand temperatures above 220°C
- Stainless steel hot cylinder (3 mm) prevents rust and improve lifetime
- Maintenance free ceramic gas burner minimizes downtimes. 20% more efficient than regular blue flame burners. A unique and patented burner by Electrolux Professional
- Return feed, can be installed close to a wall for space saving
- Foldable feeding tray so that large flats avoid touching the ground
- Auto stop cool-down function

Main options

- Electronic control panel with automatic speed regulation system (DIAMMS - Direct Ironer Advanced Moisture Management System) - compatible with the RABC (Risk Analysis and Bio-contamination Control) process for the traceability of ironing parameters; flashing light showing to the operator that an item is not fully dried (not available for ETL version)
- Manual folding arm for easy folding of large flat items by only one operator
- 6 mm stainless steel hot cylinder for better productivity

Main specifications		IC63316	IC63320
Capacity, max. water evaporation ¹	l/h	19.5	24.5
Hot cylinder, diameter	ø mm	325	325
Hot cylinder, length	mm	1650	2065
Ironing speed	m/min	0.5-7.5	0.5-7.5
Specific speed for ETL version	m/min	0.5-5.5	0.5-5.5
Heating, electricity	kW	18.0	22.5
Heating, gas	Btu/h (kW)	68 240 (20)	85 330 (25)

1. 50% residual moisture content cotton 190 gr/m² and 100% cylinder use (ISO 9398).

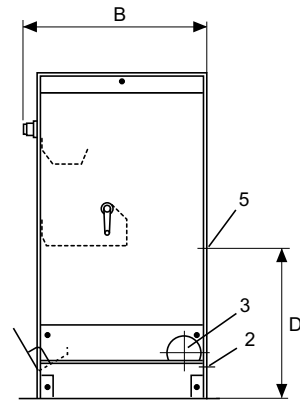
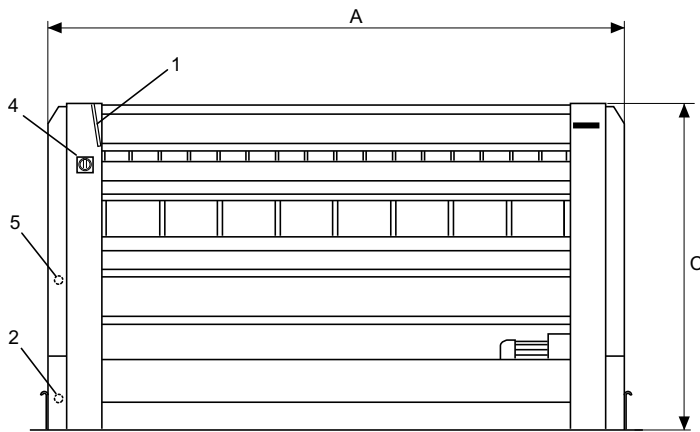
Electrical connections ¹	IC63316	IC63320
Electric heated		
400V / 3 AC / 50-60 Hz	18.0 (32)	22.5 (32)
230V / 3 AC / 50-60 Hz	18.0 (60)	22.5 (60)
Gas heated (CE)		
400V / 3 AC / 50-60 Hz	0.5 (10)	0.5 (10)
230V / 3 AC / 50-60 Hz	0.5 (10)	0.5 (10)
230V / 1 AC / 50-60 Hz	0.5 (10)	0.5 (10)
Gas heated (AGA)		
400V / 3 AC / 50-60 Hz	0.5 (10)	0.5 (10)
Gas heated (ETL)		
208-240V / 1 AC / 60 Hz	0.5 (10)	0.5 (10)
120V / 1 AC / 60 Hz	0.5 (10)	0.5 (10)

1. Other voltages available, see installation manual.

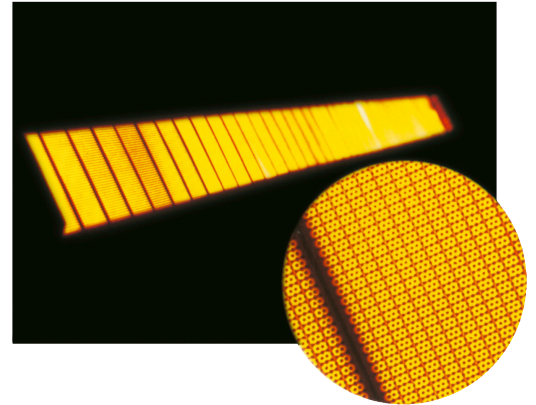
Gas and exhaust connections		IC63316	IC63320
Gas	DN	20	20
Exhaust, outlet diameter	mm	125	125
Exhaust, evacuated air	m ³	426	515
Sound levels			
Airborne sound level	dB(A)	65	65
Heat emission			
% of installed power, max		2	2
Shipping data¹			
Weight	net, kg	300	330
Shipping volume	m ³	2.7	3.2

1. Average data. Crated weight/shipping volume depends on configuration. Please contact logistics for exact measures.

Dimensions in mm	IC63316	IC63320
A	2030	2445
B	690	690
C	1145	1145
D	430	430
1. Control panel 2. Electrical connection 3. Exhaust connection 4. Main switch 5. Gas connection		



The arm is an option to be mounted on site. This arm is part of kit 55017446 and have to be ordered as accessories. This kit can be mounted on site.



Maintenance free ceramic gas burner minimizes downtimes. 20% more efficient than regular blue flame burners. A unique and patented burner by Electrolux Professional.