

# Tumble dryer

## TD6-10



### Exceptional savings and effortless use



#### Priority on people

Certified ergonomic design with a human-centered approach for an outstanding user experience

- Reversible door hanging for a convenient laundry flow
- Easy access to vital parts from front and rear for simple servicing



#### Long-term savings

Innovative features to save money and time, and embrace a sustainable lifestyle

- Moisture Balance (optional) helps to stop the drying process at the right time to save on energy costs



#### Pure control

Monitor your equipment and performance from anywhere, allowing to take action and to improve your business with OnE Laundry - the personal assistant for hygiene validation management, process management and revenue management (optional)



#### Outstanding productivity

Dry more laundry in less time: a game-changing improvement

- Reversing drum minimizes wrinkles and drying time to get an effective and even drying performance with 2 full loads per hour per pocket



#### Global Advanced Hygiene

Global Advanced Hygiene program package<sup>I</sup> with proven log 6 reduction<sup>II</sup> disinfection of textiles through the laundry process, fulfilling the criteria of all local approved standards

I. program is available in the standard library of gas and electric heated dryers, excluding products for specific segments where temperature is not controllable

II. log 6 reduction equals to 99,9999% viral infectivity reduction. The efficacy of reduction of SARS-CoV-2 and other pathogens in the process is confirmed by RISE (The Research Institute of Sweden) on the basis of Electrolux Professional laboratory data



Images shown are a representation of the product only and variations may occur.

## Other options

- Stainless steel base frame, front and drum
- Connectable to booking-/payment system or coin meter
- High altitude kit for gas heated tumble dryers (>610 m)

Main specifications		TD6-10			
Rated capacity, filling factor 1:18	kg / lb	10.6 / 23			
Rated capacity, filling factor 1:22	kg / lb	8.6 / 19			
Drum, volume	litre	190			
Drum, diameter	ø mm	680			
Heating alternatives:					
EI	kW	6.0 / 8.0			
Gas	kW (BTU/h)	6.0 / 8.0 (20500 / 27300)			
<b>Consumption data<sup>1</sup></b>		EI 6.0 kW	EI 8.0 kW	Gas 6.0 kW	Gas 8.0 kW
Total time	Min	39	30	42	34
Energy consumption	kWh	4.43	4.03	4.24	4.37
Evaporation	g/min	111	143	102	128
Energy water evaporation	kWh/l	0.93	0.93	0.98	1.01

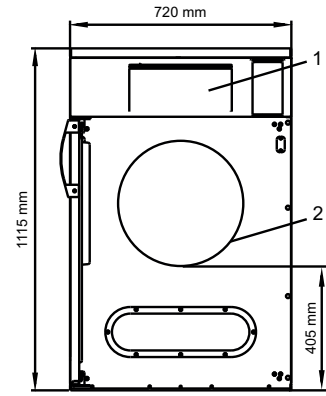
1. At rated capacity 1:22, 100% cotton load at 50% initial moisture dried to 0%.

Produced according to ISO 9001 and ISO 14001.

Certified with CB certificate for Low Voltage Directive and S-mark according to the Machinery Directive. Protection class IP X4D.

Electrical connections					
Heating alternative	Main voltage	Hz	Heating power kW	Total power kW	Recommended fuse A
Electric heated	220-240V 1/1N-	50/60	6.0/8.0	6.4/8.4	32/50
	220-230V 3-	50/60	6.0/8.0	6.4/8.4	20/25
	220-240V 3-	50/60	6.0/8.0	6.4/8.4	16/25
	380-415V 3N/3-	50/60	6.0/8.0	6.4/8.4	10
	440V 3-	60	6.0/8.0	6.4/8.4	10/16
	480V 3-	60	6.0/8.0	6.4/8.4	10/16
Gas heated	220-480V 1/1N/3/3N-	50/60	1	0.4	10

1. Total power and recommended fuse does not depend on the heating power in those cases.



Gas and air connections <sup>1</sup>		TD6-10
Gas	ISO 7/1-R1	1/2"
Gas pressure, Natural gas	Pa	2000
	mbar	20
Gas pressure, Propane	Pa	2800-5000
	mbar	28-50
Air outlet	ø mm	125
Evacuated air, 6.0 kW	m <sup>3</sup> /h	270
Evacuated air, 8.0 kW	m <sup>3</sup> /h	290
Pressure drop, 6.0 kW	Max. Pa	380
Pressure drop, 8.0 kW	Max. Pa	350

Sound levels	
Sound power/pressure level at drying <sup>2</sup>	dB(A) 67/53

Heat emission	
% of installed power, max	15

Shipping data <sup>3</sup>	
Weight	net, kg 99
Shipping volume	m <sup>3</sup> 0.83

- |                           |                       |
|---------------------------|-----------------------|
| 1. Operating panel        | 4. Gas connection     |
| 2. Door opening, ø 400 mm | 5. Exhaust connection |
| 3. Electrical connection  |                       |

1. The default gas appliances are built to run on either GNH or LPG gas where shall be installed at not over than 610 m (2001 ft) high altitude otherwise a kit for high altitude must be installed to the machine. For the kit No. please refer to the spare parts list.  
 2. Sound power levels measured according to ISO 60704.  
 3. Average data. Crated weight/shipping volume depends on configuration. Please contact logistics for exact measures.

Silver grey and dark blue color samples can be ordered on part number 472998313.

