

Washer extractor

WH6-33CV



Exceptional savings and effortless use



Priority on people

Certified ergonomic design with a human-centered approach for an outstanding user experience

- ClarusVibe microprocessor and 7" color TS control: intuitive, fully editable programs, multi-language, on-screen statistics, fully controlling the detergent pumps
- Very easy connection to Jetsave and Dosave with one cable for power supply and one for dosing signals
- Simple connection to all generic pumps
- Connection to up to 15 pumps



Long-term savings

Innovative features designed for lowest possible water, energy and detergent consumption, to save money and time, and embrace a sustainable lifestyle

- Automatic Savings weighs the linen and adjusts the water level to the amount of linen, saving water and energy at less than full load
- Intelligent Dosing ensures that the precise amount of chemicals will be added automatically according to the weight of the load, saving chemicals
- Power Balance measures, corrects the unbalance and adjusts the G force in real time, maximizing the dewatering, saving money and time in the drying process



Pure control

Monitoring of the status of the equipment and performance from anywhere, allowing to take action to improve the business

- Washers connectable to OnE Laundry, the personal assistant for hygiene validation, process management and revenue management



Global Advanced Hygiene

Global Advanced Hygiene program package^I with proven log 6 reduction^{II} disinfection of textiles through the laundry process, fulfilling the criteria of all local approved standards

I. Programs available in the standard library of all products, excluding products for specific segments where water temperature is not controllable.

II. Log 6 reduction equals to 99,9999% viral infectivity reduction. The efficacy of reduction of SARS-CoV-2 and other pathogens in the process is confirmed by RISE (The Research Institute of Sweden) on the basis of Electrolux Professional laboratory data.



Images shown are a representation of the product only and variations may occur.

Main options and accessories

- Front loaded detergent dispenser, positioned at ergonomic height for easy access, clear visibility; 6 color coded compartments make dosing easy and flexible with dedicated compartments for powder or liquid chemicals as well as bleach and softener; removable compartments ensure easy maintenance
- Integrated Savings is measuring the load in real time, ensuring optimization of the load and maximum productivity. IS provides also extended machine lifetime through the unique overload protection function, as machine will not start if overloaded; it will also reduce water and energy consumption at less than full load
- Connection to booking- /payment- system or coin meter

| Main specifications | | WH6-33CV | | | |
|--|-----------------|--------------------|-------------------------------|--------------------|-------------------------------|
| Rated capacity, filling factor 1:9 | kg/lb | 33 / 75 | | | |
| Drum, volume | litre | 300 | | | |
| Drum, diameter | ø mm | 795 | | | |
| Extraction | rpm | 1007 | | | |
| G-factor | | 450 | | | |
| Standard heating alternatives | electricity, kW | 19.1 / 19.8 / 23.0 | | | |
| | steam | x | | | |
| Consumption data "ECO 60°C" ¹ | non-heated | x | | | |
| | | El | | Steam ² | |
| | | Full load, 33 kg | Half load, 15 kg ³ | Full load, 33 kg | Half load, 15 kg ³ |
| Total time | Min | 60 | 57 | 60 | 57 |
| Water consumption (cold+hot) | litre | 196+14 | 94+5 | 210+0 | 99+0 |
| Energy consumption (motor/heating/hot water) | kWh | 0.6/3.95/0.75 | 0.55/2.0/0.25 | 0.6 | 0.55 |
| Steam consumption | kg | - | - | 7.1 | 3.40 |
| Residual moisture | % | 45 | 46 | 45 | 46 |

1. Water temperature 15°C cold water and 65°C hot water.

2. Depending on steam pressure.

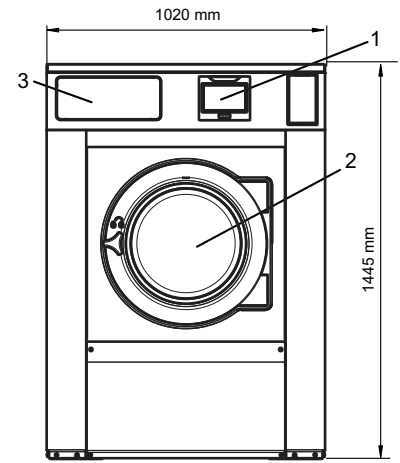
3. Programs with AS.

Produced according to ISO 9001 and ISO 14001.

Certified with CB certificate for Low Voltage Directive and S-mark according to the Machinery Directive. Protection class IP X4D.

| Electrical connections | | | | | |
|-------------------------|--------------------------|-------|------------------|----------------|--------------------|
| Heating alternative | Main voltage | Hz | Heating power kW | Total power kW | Recommended fuse A |
| Electric heated | 220-230V 3~ | 50/60 | 19.1 | 19.4 | 50 |
| | 220-240V 3~ | 50/60 | 19.8/23.0 | 20.2/23.3 | 50/63 |
| | 380-400V 3N/3~ | 50/60 | 19.1 | 19.6 | 32 |
| | 380-415V 3N/3~ | 50/60 | 19.8/23.0 | 20.1/23.3 | 32/35 |
| | 380V 3N~ | 50 | 9.5 | 9.9 | 16 |
| | 440V 3~ | 50/60 | 21.0/23.0 | 21.4/23.3 | 32/32 |
| Non heated/Steam heated | 208-240V 1/1N~ | 50/60 | 1 | 3.5 | 16 |
| | 380-480V 1~ ² | 50/60 | 1 | 3.5 | 10 |

1. Total power and recommended fuse does not depend on the heating power in those cases.
2. Prepared for 3~



| Water and steam connection ¹ | | WH6-33CV |
|---|-------|----------|
| Water valves | DN | 20 |
| Water pressure | kPa | 200-600 |
| Capacity at 300 kPa | l/min | 60 |
| Drain valve | ø mm | 75 |
| Draining capacity | l/min | 170 |
| Steam valve | DN | 15 |
| Steam pressure | kPa | 300-600 |
| Liquid detergent supplies | | 5 |

| Floor requirements | | |
|--------------------------------|----|-----------|
| Frequency of the dynamic force | Hz | 15.8 |
| Floor load at max extraction | kN | 6.2 ± 1.3 |

| Sound levels | | |
|---|-------|-------|
| Sound power/pressure level at extraction ² | dB(A) | 82/66 |
| Sound power/pressure level at wash ² | dB(A) | 66/50 |

| Heat emission | |
|---------------------------|---|
| % of installed power, max | 5 |

| Shipping data ³ | | |
|----------------------------|----------------|------|
| Weight | net, kg | 560 |
| Shipping volume | m ³ | 2.04 |

| Accessories | |
|------------------------------|---|
| Steel base | x |
| Hose kits for water or steam | x |
| Fluff collector | x |

- | | |
|---|--|
| 1. Display | 8. Re-used water from tank/pump or Liquid detergent supply |
| 2. Door opening ø 435 mm | 9. Drain |
| 3. Detergent box | 10. Liquid detergent supply |
| 4. Cold/Hot water (Detergent box) | 11. Electrical connection |
| 5. Cold water | 12. Steam connection |
| 6. Hot water | |
| 7. Cold/Hot water or Re-used water with network pressure (option) | |

1. The washer extractor is equipped with a built-in type AB airgap according to EN 61770.
2. Sound power levels measured according to ISO 60704.
3. Average data. Crated weight/shipping volume depends on configuration. Please contact logistics for exact measures.
Silver grey and dark blue color samples can be ordered on part number 472998313.

