

Washer extractor

WS6-35



Exceptional savings and effortless use



Priority on people

Certified ergonomic design with a human-centered approach for an outstanding user experience

Compass Pro® microprocessor offers:

- Easy program selection
- Language selection
- Quick selection and option buttons for the most frequently used wash programs and options
- Wash program packages optimized on Economy, Performance and Time



Long-term savings

Extremely low water and energy consumption – see table below

- Automatic Savings weighs the linen and adjusts the water level to the amount of linen, saving water and energy at less than full load
- High extraction force for efficient dewatering
- Power Balance measures, corrects the unbalance and adjusts the G force in real time, maximizing the dewatering, saving money and time in the drying process



Pure control

Monitoring of the status of the equipment and performance from anywhere, allowing to take action to improve the business

- Washers connectable to OnE Laundry, the personal assistant for hygiene validation, process management and revenue management



Global Advanced Hygiene

Global Advanced Hygiene program package^I with proven log 6 reduction^{II} disinfection of textiles through the laundry process, fulfilling the criteria of all local approved standards

I. Programs available in the standard library of all products, excluding products for specific segments where water temperature is not controllable.

II. Log 6 reduction equals to 99,9999% viral infectivity reduction. The efficacy of reduction of SARS-CoV-2 and other pathogens in the process is confirmed by RISE (The Research Institute of Sweden) on the basis of Electrolux Professional laboratory data.



Images shown are a representation of the product only and variations may occur.

Main options and accessories

- Automatic liquid detergent supply (optional I/O board)
- Savings on chemicals with help of Efficient dosing, both ED peristaltic pumps and ED Venturi
- Connection to booking- /payment- system or coin meter

Main specifications		WS6-35			
Rated capacity, filling factor 1:9	kg/lb	35 / 75			
Drum, volume	litre	330			
Drum, diameter	ø mm	795			
Extraction	rpm	671			
G-factor		200			
Standard heating alternatives	electricity, kW	19.1 / 19.8 / 23.0			
	steam non-heated	x			
Consumption data "Normal 60°C"¹		El		Steam ²	
		Full load, 35 kg	Half load, 17.5 kg ³	Full load, 35 kg	Half load, 17.5 kg ³
Total time	Min	51	47	51	47
Water consumption (cold+hot)	litre	222+57	118+30	279+0	148+0
Energy consumption (motor/heating/hot water)	kWh	0.45/1.65/3.65	0.4/0.85/1.9	0.45/-	0.4/-
Steam consumption	kg	-	-	7.95	4.13
Residual moisture	%	58	66	58	66

1. Water temperature 15°C cold water and 65°C hot water.

2. Depending on steam pressure.

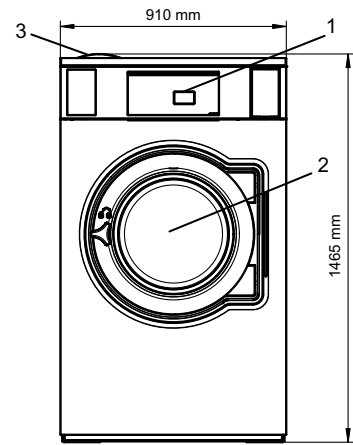
3. Programs with AS.

Produced according to ISO 9001 and ISO 14001.

Certified with CB certificate for Low Voltage Directive and S-mark according to the Machinery Directive. Protection class IP X4D.

Electrical connections					
Heating alternative	Main voltage	Hz	Heating power kW	Total power kW	Recommended fuse A
Electric heated	220-230V 3~	50/60	19.1	20.2	63
	220-240V 3~	50/60	19.8/23.0	20.9/24.1	63/63
	380-400V 3N/3~	50/60	19.1	20.2	32
	380-415V 3N/3~	50/60	19.8/23.0	20.6/24.1	32/50
	440V 3~	50/60	21.0/23.0	22.2/24.1	32/35
480V 3~	60	22.8/23.0	23.9/24.1	32/32	
Non heated/Steam heated	208-240V 1/1N~	50/60	1	1.3	10
	380-480V 1-2	50/60	1	1.3	10

1. Total power and recommended fuse does not depend on the heating power in those cases.
2. Prepared for 3~



Water and steam connection ¹		WS6-35
Water valves	DN	20
Water pressure	kPa	200-600
Capacity at 300 kPa	l/min	60
Drain valve	ø mm	75
Draining capacity	l/min	170
Steam valve	DN	15
Steam pressure	kPa	300-600
Liquid detergent supplies		5

Floor requirements		
Frequency of the dynamic force	Hz	11.2
Floor load at max extraction	kN	4.3 ± 9.9

Sound levels		
Sound power/pressure level at extraction ²	dB(A)	73/57
Sound power/pressure level at wash ¹	dB(A)	67/51

Heat emission	
% of installed power, max	5

Shipping data ³		
Weight	net, kg	307
Shipping volume	m ³	1.86

Accessories		
Steel base		x
Hose kits for water or steam		x
Fluff collector		x
1. Operating panel	7. Drain valve	
2. Door opening ø 435 mm	8. Liquid detergent supply	
3. Detergent box	9. Electrical connection	
4. Cold water	10. Steam connection	
5. Hot water	11. Cold water (for detergent container) / Hot water	
6. Re-used water		

1. The washer extractor is equipped with a built-in type AB airgap according to EN 61770.
2. Sound power levels measured according to ISO 60704.
3. Average data. Crated weight/shipping volume depends on configuration. Please contact logistics for exact measures.

Silver grey and dark blue color samples can be ordered on part number 472998313.

