



myPROzip

Smart Professional Washer

Especially designed for small businesses.

The machine with a Professional heart, on a sensible budget, boasting benefits from a professional design.

Benefits and features

► **Superb capacity and performance:**

- Process all laundry in one go thanks to generous 8 kg capacity
- Best wash results and garment care due to unique professional drum with 4.5 mm holes for efficient evacuation of debris (standard 2.2 mm)
- Time and cost savings in drying with moisture extraction at 1,400 rpm

► **Up to 50% faster¹ and easy to use:**

- Meet every need with 6 professional programs (Normal 20, 40, 60, 95 / Mild 30 / Handwash)
- Save time: normal 60 °C programs take 82 minutes (starting with cold water at 15 °C)
- Reduce cycle time by an extra 12 minutes by using the hot water inlet
- Flexible installation thanks to smart drain pump configuration

► **Triple the lifetime¹:**

- Extra long lifetime due to durable construction with professional components
- Less vibration thanks to highly effective shock absorbance system and optimally balanced components and panelling
- No chemical corrosion: stainless steel front and top
- Trouble-free operation thanks to easy to clean drain filter

► **Prepared for connection to external payment systems**

Perfect for small operations such as

- Small hotels and bed & breakfasts (guest use)
- Out-of-home resident services
- Camping, marina, petrol stations, student houses

Accessories

- **Pedestal**
- **Stacking kit**

Option

- **Marine kit**

¹ Compared to domestic machines

Main specifications at a glance

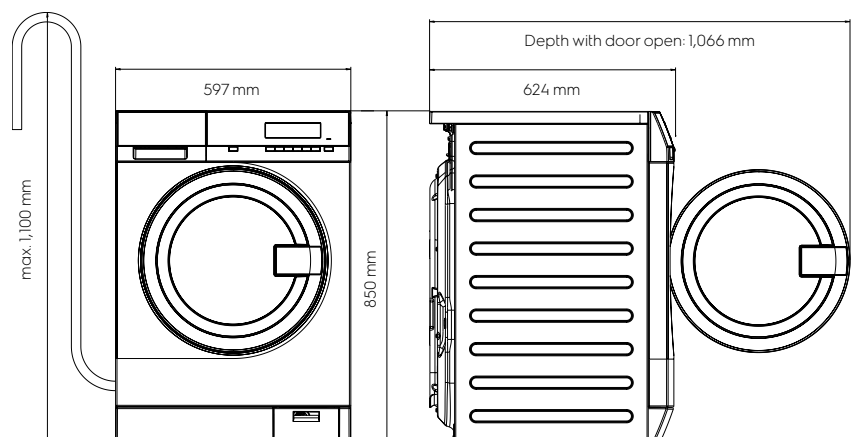
Washing capacity, kg	8
Drum volume, l	67
Energy efficiency index, %	> 36

Consumption data

Program standard, cotton 60 °C, full load

Total time, min./cycle (hot water inlet)	70
Energy consumption, kWh	0.7
Water consumption (cold), l	65

Dimensions



myPROzip Smart Professional Washer

Specifications WE170PP/VP

Spin speed, rpm (G-factor)	1,400 (536)
Washing noise level, dB(A)	49
Spinning noise level, dB(A)	75
Electrical connection, V / Hz/W	230 - 240 / 50-60/2000
Cabinet, top and front	Stainless steel
Display	Large LCD
Drum design	Professional drum with 4.5 mm holes
Drum light	Yes
Detergent compartments	3
Door lock device	Pull to open with child safety (can be opened from inside applying 70N)
Water inlet	Hot & cold
Draining system	Drain pump
Levelling feet	4 adjustable feet (adjustable by 15mm)

Programs

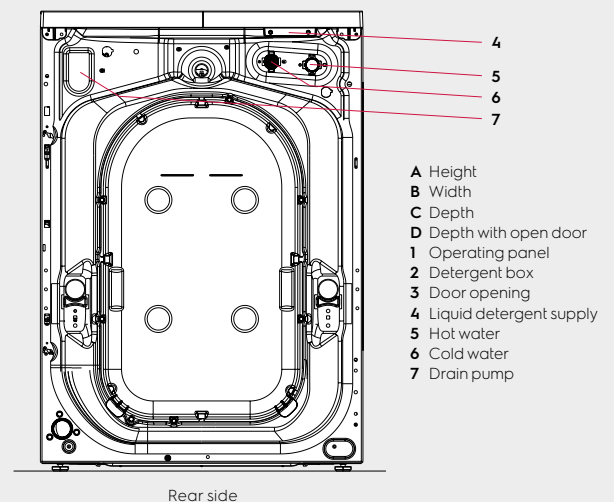
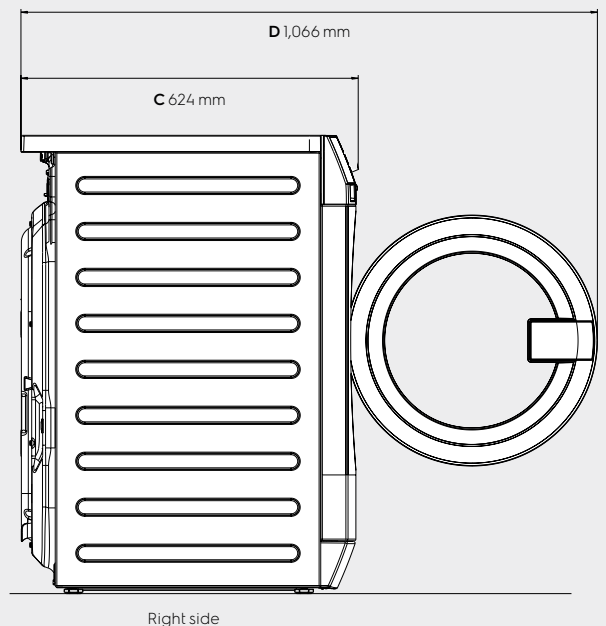
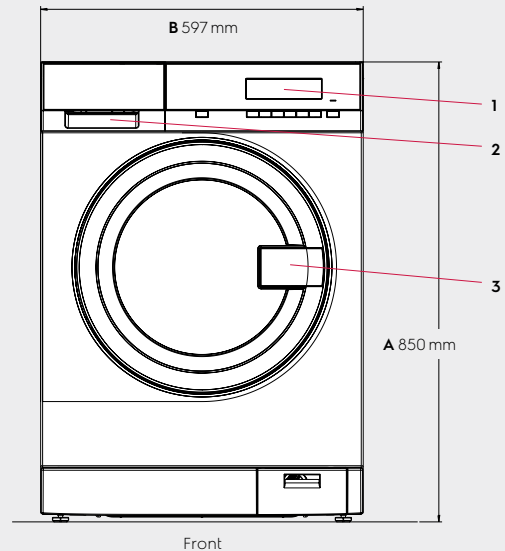
Number of programs	6
	Normal 20, 40, 60, 95 Mild 30 / Handwash
Program proportionality	Whether full or non-full load: the machine adapts

Special features

Pedestal	Accessory
Stacking kit	Accessory
Coin meter	Accessory
Marine kit	Optional
Prepared for connection to external payment systems	Standard

Dimensions including the door frame

Height (A), mm	850
Width (B), mm	597
Depth (C), mm	624
Packaging height, mm	900
Packaging width, mm	630
Packaging depth, mm	701
Weight (with packaging), kg	80.5 (82)



We reserve the right to alter specifications without notice.