

# Washer extractor

## WH6-11 Clarus Vibe



Washer featuring exceptional savings and effortless use



### Priority on people

Certified ergonomic design with a human-centered approach for an outstanding user experience

- ClarusVibe microprocessor and 7" color TS control: intuitive, fully editable programs, multi-language, on-screen statistics, fully controlling the detergent pumps
- Very easy connection to Electrolux pumps Jetsave and Dosave with one cable for power supply and one for dosing signals
- Simple connection to all generic pumps
- Connection to up to 15 pumps



### Long-term savings

Innovative features designed for lowest possible water, energy and detergent consumption, to save money and time, and embrace a sustainable lifestyle

- Automatic Savings weighs the linen and adjusts the water level to the amount of linen, saving water and energy at less than full load
- Intelligent Dosing ensures that the precise amount of chemicals will be added automatically according to the weight of the load, saving chemicals
- Power Balance measures, corrects the unbalance and adjusts the G force in real time, maximizing the dewatering, saving money and time in the drying process



### Pure control

Monitoring of the status of the equipment and performance from anywhere, allowing to take action to improve the business

- Washers connectable to OnE Laundry, the personal assistant for hygiene validation, process management and revenue management

### Main options and accessories

- Integrated Savings is measuring the load in real time, ensuring optimization of the load and maximum productivity. IS provides also extended machine lifetime through the unique overload protection function, as machine will not start if overloaded. In addition, it will reduce water and energy consumption at less than full load
- Dosave pumps (peristaltic) and Jetsave pumps (venturi) for less maintenance, precise and consistent dosage, easy installation and durable valves
- Connection to booking-/payment system or coin meter



Images shown are a representation of the product only and variations may occur.

Main specifications				WH6-11			
Max. capacity	filling factor 1:9	kg/lb		11/25			
Drum, volume		litre		105			
	diameter	ø mm		595			
Extraction		rpm		1165			
G-factor				450			
Standard heating alternatives	electricity	kW		7.5 / 10.0			
Low energy heating alternatives	electricity	kW		3.0			
	steam			x			
	non-heated			x			
<b>Consumption data "ECO 60°C"</b>				EI		Steam***	
Total time		min		Full load, 11 kg	Half load**, 5.25 kg	Full load, 11 kg	Half load**, 5.25 kg
Water consumption (cold+hot)		litre		64	58	64	58
Energy consumption (motor/heating/hot water)		kWh		68.5+3	33+3	71+0	36+0
Steam consumption		kg		0.25/1.45/0.15	0.25/0.7/0.15	0.20	0.25
Residual moisture		%		-	-	2.4	1.30
				45	46	45	46

\* Water temperature 15°C cold water and 65°C hot water.

\*\* Programs with AS.

\*\*\* Depending on steam pressure.

Produced according to ISO 9001 and ISO 14001.

Certified with CB certificate for Low Voltage Directive and S-mark according to the Machinery Directive. Protection class IP X4D.

Electrical connections					
Heating alternative	Main voltage		Heating power kW	Total power kW	Recommended fuse A
		Hz			
Electric heated	220-240V 1/1N -	50/60	3.0/7.5/10.0	3.1/7.6/10.1	16/35/50
	220-240V 3 -	50/60	3.0/7.5/10.0	3.1/7.6/10.1	10/20/25
	380-415V 3/3N -	50/60	3.0/7.5/10.0	3.1/7.6/10.1	10/16/16
	440V 3 -	50/60	7.5/10.0	7.6/10.1	16
	480V 3 -	60	10.0	10.1	16
Steam or Non heated	220-480V 1 -	50/60	-	1.1	10

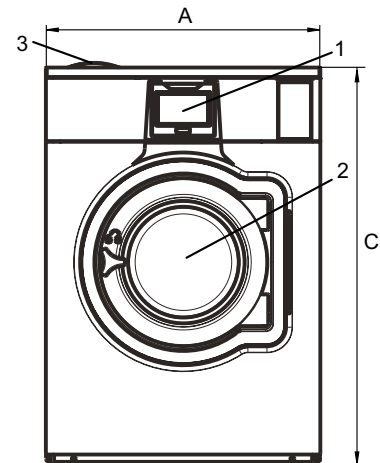
\* Total power and recommended fuse does not depend on the heating power in those cases.

Water and steam connection		WH6-11
Water valves	DN	20
Water pressure	kPa	200-600
Capacity at 300 kPa	l/min	20
Drain valve	∅ mm	50/75
Draining capacity	l/min	170
Steam valve	DN	15
Steam pressure	kPa	300-600
Liquid detergent supplies		5
Floor requirements		
Frequency of the dynamic force	Hz	19.4
Floor load at max extraction	kN	2.5 ± 0.5
Sound levels		
Sound power/pressure level at extraction*	dB(A)	76/62
Sound power/pressure level at wash*	dB(A)	61/46
Heat emission		
% of installed power, max		5
Shipping data**		
Weight	net, kg	202
Shipping volume	m <sup>3</sup>	1.02
Accessories		
Steel base		x
Hose kits for water or steam		x
Fluff collector		x
Dimensions in mm		
A Width		830
B Depth		765
C Height		1210
D1		355
D2		410
E		1225
F		915
G		80
H		1115
I		215
J		125
K		1095
L		995
M		280
N		100
O		295
1 Display	7 Drain valve	
2 Door opening ∅ 365 mm	8 Liquid detergent supply	
3 Detergent box	9 Electrical connection	
4 Cold water	10 Steam connection	
5 Hot water		
6 Re-used water		

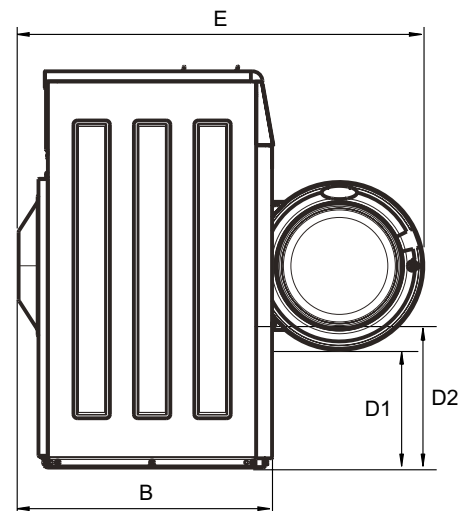
Front and side panels in silver grey and dark blue (color samples can be ordered on part number 472998313).

\* Sound power levels measured according to ISO 60704.

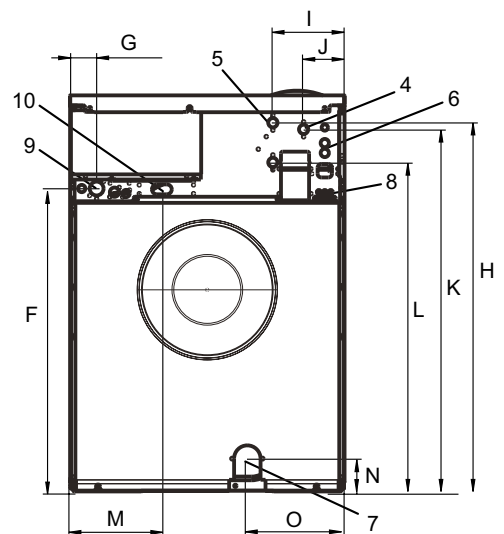
\*\* Average data. Crated weight/shipping volume depends on configuration. Please contact logistics for exact measures.



Front



Side view



Rear