

Dry Work Presses – Air operated

FPA2-D, FPA3-D, FPA4-D



Model FPA2-D shown

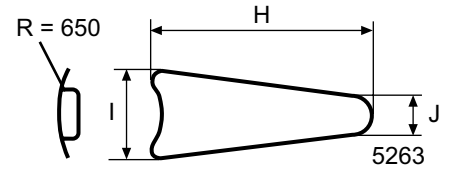
Features and benefits

- Even distribution of steam from head and buck moistens the fabric to remove creases
- Adjustable pressure regulator for pressing different fabrics
- Buck vacuum, holds fabric in place and dries it
- Air operated reduces operator fatigue
- Safety two button closing improves operator safety (only FPA2-D/FPA3-D)
- Foot closing for hands free operation (only FPA4-D)
- Padded head avoids glazing the fabric
- Padded buck reduces impressions

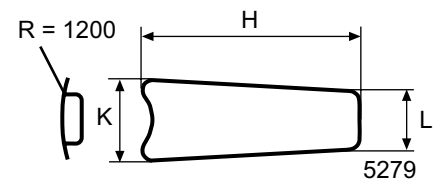
Main options

- Features that simplify the installation
 - Integral 10, 12, 15 or 18 kW boiler
 - Integral vacuum fan
 - Integral air compressor
- All steam iron for safe operation
- Electric steam iron
- Safety head guard (CE) improves operator safety (standard on FPA4-D)
- Steam, steam/air gun and spotting arm for removal of spots (only FPA2-D/FPA3-D)
- Teflon coated head plate durable head cover (only FPA2-D/FPA3-D)

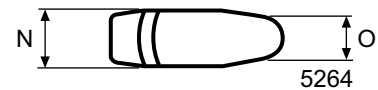
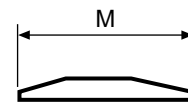
Electrical connections	Standard	Built-in boiler	Built-in compressor	Built-in vacuum
Voltage				
208-240V 3 AC 50/60 Hz	kW	alt 10	1.1	0.25
380-415V 3/3N AC 50/60 Hz	kW	12		4
		15		
		18		
Steam, air and vacuum connection				
Steam	DN	15	-	15
Rec. steam pressure	kPa	400-600	-	400-600
Steam consumption	kg/h	14-25	-	14-25
Condensate	DN	15	-	15
Water supply	mm	-	Ø13	-
Boiler drain	DN	-	15	-
Compressed air	DN	10	10	10
Rec. air pressure	kPa	800-1000	800-1000	-
Air consumption	l/h	400	400	400
Vacuum	mm	Ø100	Ø100	Ø100
Vacuum air consumption	m ³ /h	900	-	500
Vacuum depression	mm H ₂ O	10-20	-	5-8
Shipping data				
	net, kg	279	374	374
	crated, kg	330	425	425
	boxed, kg	394	489	489
Dimensions in mm				
A	Width	1450	1450	1450
B	Depth	1135	1135	1135
C	Height	1450	1450	1450
D		1250	1250	1250
E		1030	1030	1030
F		800	800	800
G		920	920	920
H		1190	1190	1190
I		470	470	470
J		205	205	205
K		445	445	445
L		325	325	325
M		540	540	540
N		180	180	180
O		140	140	140
1	Control panel	5	Air connection	
2	Electrical connection	6	Water supply	
3	Steam connection	7	Boiler drain	
4	Condensate	8	Vacuum outlet	



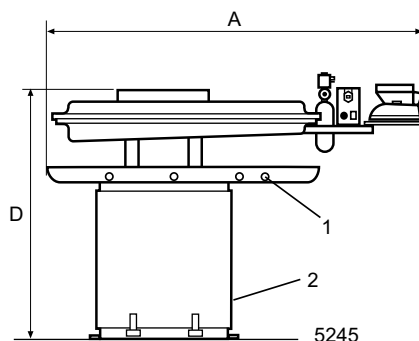
Utility legger shape
FPA2-D shown



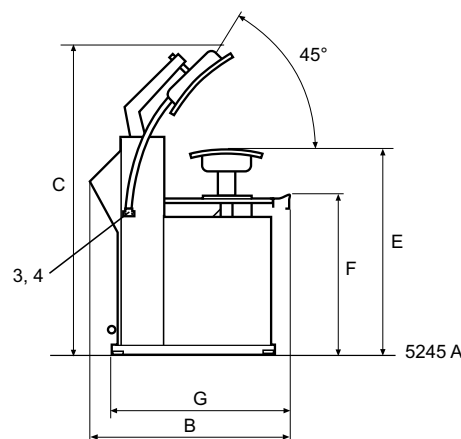
Legger shape
FPA3-D shown



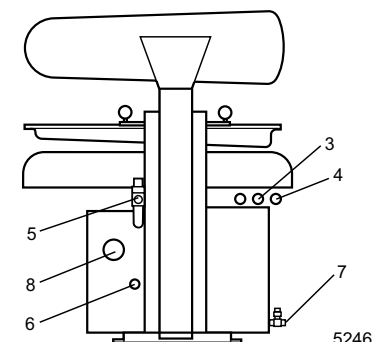
Topper shape
FPA4-D shown



Front



Left side



Rear side