

lagoon[®] Advanced Care

WH6-33LAC and TD6-37LAC

The ideal replacement for any dry-cleaning operation



Features and benefits



Keep customers coming back

Outstanding results for garments of every type thanks to specialized detergents and dedicated programs



Delicate on the delicates

Gentle on fine textiles and wools labelled dry-clean only, as less mechanical action. Woolmark-approved



Rapid return on investment

With a better loading factor, less prespotting, easier finishing and faster process times



Sustainable and eco-friendly

Water-based cleaning with none of the disadvantages of PERC, which can be dangerous to staff



Dry to dry in 1 hour

Smart chemicals and processes mean garments are fully dried in the dryer - no hang-dry

Main specifications				WH6-33LAC
Rated capacity	Laundry	filling factor 1:9	kg	33
	Wool	filling factor 1:13	kg	23
	Silk	filling factor 1:18	kg	16
Drum,	volume		litre	300
	diameter		∅ mm	795
Extraction			rpm	1005
G-factor				450
Heating alternative	electricity		kW	23.0
Consumption data "lagoon"				
Total time	Wool High		min	27
	Wool Medium		min	26
	Silk		min	19
	Synth. mix Medium		min	27
	Synth. mix Low		min	22
	Curtains		min	26
Water consumption (cold+hot)	Wool High		litre	170
	Wool Medium		litre	136
	Silk		litre	121
	Synth. mix Medium		litre	133
	Synth. mix Low		litre	121
	Curtains		litre	174
Energy consumption (motor/heating/water)	Wool High		kWh	0.7/1.6
	Wool Medium		kWh	0.7/1.25
	Silk		kWh	0.6/0.85
	Synth. mix Medium		kWh	0.6/1.55
	Synth. mix Low		kWh	0.6/1.4
	Curtains		kWh	0.7/1.2
Consumption data ECO 60 1:9*				
Total time			min	65
Water consumption (cold+hot)			litre	196+14
Energy consumption (motor/heating/hot water)			kWh	0.6/3.95/0.75
Residual moisture			%	45

* Water temperature 15°C cold water and 65°C hot water.

Main specifications				TD6-37LAC		
Rated capacity, Drying	filling factor 1:18	kg		37.5		
Drum,	volume	litre		675		
	diameter	∅ mm		913		
Heating alternative	electricity	kW		40.0		
	gas	BTU/h (kW)		14 3400 (42.0)		
	steam at 600-700 kPa			46.0		
Consumption data "lagoon"				El	Gas	Steam
Total time	Wool High*	min		22	22	21
	Wool Medium*	min		20	20	20
	Synthetic mix**	min		13	13	13
Consumption data***						
Total time		min		23	23	22
Energy consumption (motor/heating/hot water)		kWh		15.08	16.42	19.27
Evaporation		g/min		676	653	700
Energy/Water evaporation		kWh/l		0.98	1.07	1.26

* 1:30 load 100% wool load at 30% initial moisture dried to 0%.

** 1:40 load 100% synthetic load at 20% initial moisture dried to 0%.

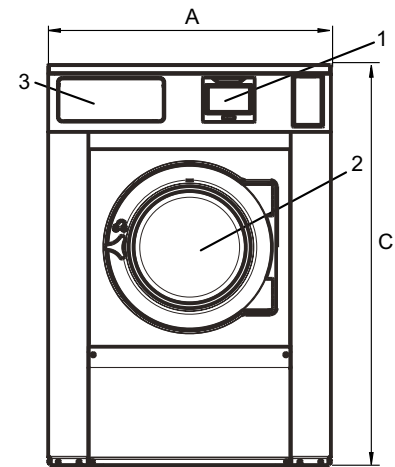
*** At rated capacity 100% cotton load at 50% initial moisture dried to 0%.

Electrical connections					
Heating alternative	Main voltage		Heating power kW	Total power kW	Recommended fuse A
		Hz			
Electric heated	220-230V 3 ~	50/60	19.1	20.2	63
	220-240V 3 ~	50/60	19.8/23.0	20.9/24.1	63/63
	380-400V 3N ~	50/60	19.1	20.2	32
	380-415V 3N ~	50/60	19.8/23.0	20.6/24.1	32/50
Steam or Non heated	220-415V 1/1N ~ 50/60		*	1.3	10

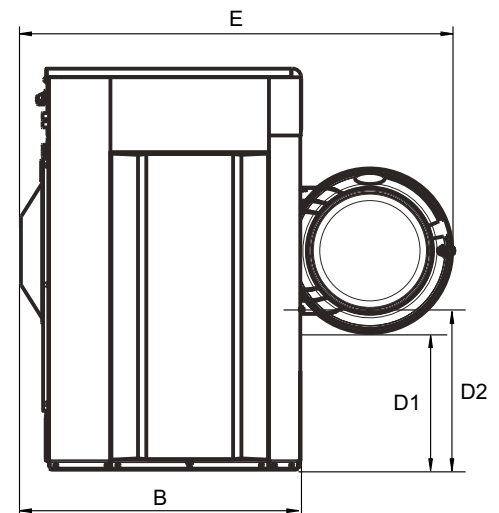
* Total power and recommended fuse does not depend on the heating power in those cases.

** Prepared for 3 ~.

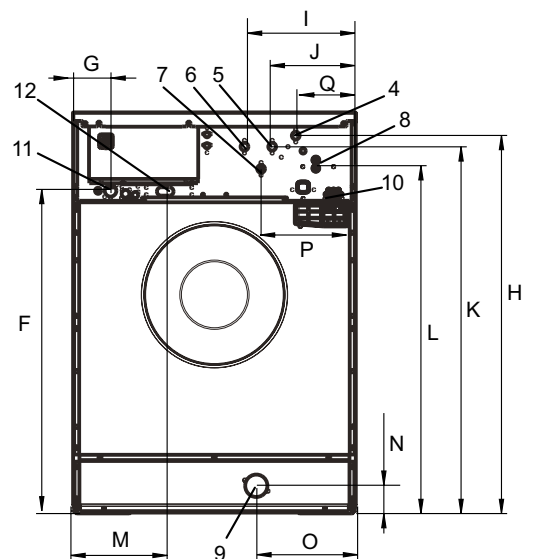
Water and steam connection		WH6-33LAC	
Water valves	DN	20	
Water pressure	kPa	200-600	
Capacity at 300 kPa	l/min	60	
Drain valve	ø mm	75	
Draining capacity	l/min	170	
Steam valve	DN	15	
Steam pressure	kPa	300-600	
Liquid detergent supplies		5	
Floor requirements			
Frequency of the dynamic force	Hz	15.8	
Floor load at max extraction	kN	6.2 ± 1.3	
Sound levels			
Sound power/pressure level at extraction*	dB(A)	82/66	
Sound power/pressure level at wash*	dB(A)	66/50	
Heat emission			
% of installed power, max		5	
Shipping data**			
Weight	net, kg	560	
Shipping volume	m ³	2.04	
Accessories			
Steel base		x	
Hose kits for water or steam		x	
Fluff collector		x	
Dimensions in mm			
A	Width	1020	
B	Depth	1135	
C	Height	1445	
D1		490	
D2		555	
E		2000	
F		1165	
G		135	
H		1365	
I		400	
J		300	
K		1325	
L		1245	
M		335	
N		100	
O		360	
P		340	
Q		215	
1	Display	7	Cold/Hot water or Re-used water with network pressure (option)
2	Door opening ø 435 mm	8	Re-used water from tank/pump or Liquid detergent supply
3	Detergent box	9	Drain
4	Cold/Hot water (Detergent box)	10	Liquid detergent supply
5	Cold water	11	Electrical connection
6	Hot water	12	Steam connection



Front



Side view



Rear

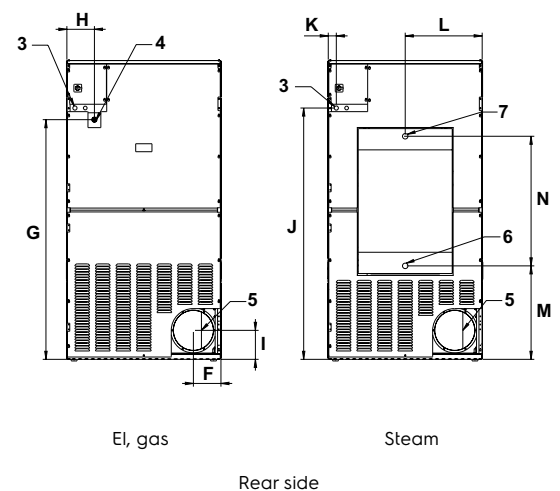
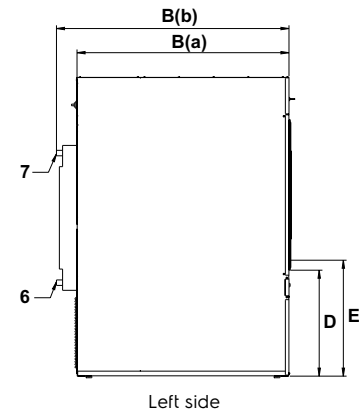
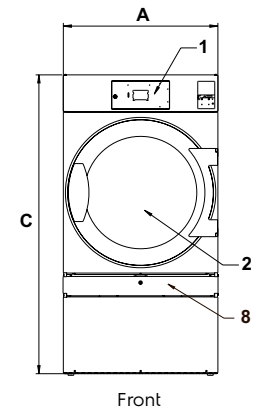
* Sound power levels measured according to ISO 60704.

** Average data. Crated weight/shipping volume depends on configuration. Please contact logistics for exact measures.

Electrical connections					
Heating alternative	Main voltage		Heating power kW	Total power kW	Recommended fuse A
		Hz			
Electric heated	220-240V 3 ~	50/60	32.0/40.0	33.5/41.5	100/125
	380-415V 3N/3 ~	50/60	32.0/40.0	33.5/41.5	50/63
	440V 3 ~	60	32.0/40.0	33.5/41.5	50/63
Gas heated/ Steam heated	480V 3 ~	60	32.0/40.0	33.5/41.5	50/63
	220-240V 1/1N ~	50/60	-	1.8	10
	220-480V 3/3N ~	50/60	-	1.5	10

* Total power and recommended fuse does not depend on the heating power in those cases.

Steam, gas and air connections		TD6-37LAC	
Steam	ISO 7/1-R	1"	
Steam pressure	kPa	100-1000	
Steam consumption	kg/h	65	
Condensate	ISO 7/1-R	1"	
Gas	NG/PG	ISO 7/1-R	1/2"
Gas pressure	Natural gas	Pa	2000
		mbar	20
	Propane	Pa	2800-3700
		mbar	28-37
Air outlet	Ø mm	200	
Maximum air flow:			
	Electric 50 Hz / 60 Hz	m ³ /h	1140 / 1140
	Gas 50 Hz / 60 Hz	m ³ /h	1140 / 1140
	Steam 50 Hz / 60 Hz	m ³ /h	1380 / 1380
Maximum static back pressure:			
	Electric 50 Hz / 60 Hz	Pa	270 / 800
	Gas 50 Hz / 60 Hz	Pa	410 / 800
	Steam 50 Hz / 60 Hz	Pa	900 / 1100
Sound levels			
Sound power/pressure level at drying*		dB(A)	74/57
Heat emission			
% of installed power, max		15	
Shipping data**			
Shipping volume	net, kg	283	
	crated, m ³	3.25	
Dimensions in mm			
A	Width	960	
B(a)	Depth	1560	
B(b)	Depth	1640	
C	Height	1855	
D		660	
E		720	
F		170	
G		1490	
H		200	
I		180	
J		1560	
K		50	
L		480	
M		580	
N		805	
1 Control panel 2 Door opening Ø 810 mm 3 Electrical connection 4 Gas connection 5 Exhaust connection 6 Condensate connection 7 Steam connection 8 Lint screen			



* Sound power levels measured according to ISO 60704.

** Average data. Crated weight/shipping volume depends on configuration. Please contact logistics for exact measures.



Jetsave PNCs	Description
988930001	Complete kit with 2 pumps, 550 ml/min
988930002	Complete kit with 3 pumps, 550 ml/min
988930003	Complete kit with 4 pumps, 550 ml/min
988930004	Complete kit with 5 pumps, 550 ml/min

Accessories PNCs	Description
988916611	Single low level probe
432930071	Extension POWER cable (6m)
432930072	Extension DATA cable (6m)
988980031	ID interface for 3rd part party peristatic pumps or option for Low level alarm
432930065	Joining kit

Power supply
From the washer extractor: 100-240V- 50/60 Hz / 0.1A (Max)

Water supply
Min. 1.8 bar
Max. 6 bar

Electrolux Professional name and description	Packaging 20 litres	Packaging 10 litres
W01 - lagoon Sensitive Detergent Professional detergent for natural/animal fiber	432731085	432731086
W03 - lagoon Sensitive Conditioner Professional conditioner for natural/animal fiber	432731087	432731088
W02 - lagoon Delicate Detergent Professional delicate universal detergent	432731089	432731090

For further information including spotting agents, please refer to the lagoon detergent Product Data Sheet



BASE; closed front and sides

Suitable for models: WH6-33LAC
988918871
Height: 230 mm
Material: Galvanised, silver grey painted steel
with stainless steel front panel.

BASE; "floating foundation"

Suitable for models: WH6-33LAC
988918872
Material: Galvanised, silver grey painted steel with
stainless steel front panel.
Feature: A "floating foundation" filled with
concrete eliminates noise to other parts
of the building.