

Washer extractor

WH6-6



Washer featuring exceptional savings and effortless use



Priority on people

Certified ergonomic design with a human-centered approach for an outstanding user experience

- Compass Pro® microprocessor offers large display and one control knob for easy program and language selection, as well as quick selection and option buttons for the most frequently used wash programs and options
- Wash program packages optimized on Economy, Performance and Time. (Available on general programs)
- Four compartment detergent box for flexibility of manual dosing of powder or liquid detergent
- Professional door with gasket and strong hinges built for heavy duty operation and hygiene



Long-term savings

Innovative features designed for lowest possible water, energy and detergent consumption, to save money and time, and embrace a sustainable lifestyle

- Programs optimized for lowest water, energy and detergent consumption
- High extraction force for efficient dewatering
- Automatic Savings weighs the linen and adjusts the water level to the amount of linen, saving water and energy at less than full load
- Power Balance measures, corrects the unbalance and adjusts the G force in real time, maximizing the dewatering, saving money and time in the drying process



Pure control

Monitoring of the status of the equipment and performance from anywhere, allowing to take action to improve the business

- Connectable to OnE Laundry, the personal assistant for hygiene validation, process management and revenue management



Global Advanced Hygiene

Global Advanced Hygiene program package* with proven log 6 reduction** disinfection of textiles through the laundry process, fulfilling the criteria of all local approved standards

Main options and accessories

- Automatic liquid detergent supply (optional I/O board)
- Efficient Dosing interface and pumps, ensures that the precise amount of chemicals will be added automatically according to the weight of the load, saving chemicals
- Connection to booking- /payment- system or coin meter
- Drain pump
- Stacking kit to install tumble dryer TD6-6 and TD6-7 on top to save space

* Programs available in the standard library of all products, excluding products for specific segments where water temperature is not controllable.

** Log 6 reduction equals to 99,9999% viral infectivity reduction. The efficacy of reduction of SARS-CoV-2 and other pathogens in the process is confirmed by RISE (The Research Institute of Sweden) on the basis of Electrolux Professional laboratory data.



Images shown are a representation of the product only and variations may occur.

Main specifications				WH6-6	
Rated capacity, filling factor 1:9		kg/lb		6/13	
Drum, volume		litre		53	
		diameter	ø mm	452	
Extraction			rpm	1450	
G-factor				530	
Heating alternatives, 230/400V	electricity	kW		2.2 / 2.8 / 3.3 / 4.4	
	non-heated			x	
Consumption data "ECO 60°C"				Full load, 6 kg	Half load, 3 kg**
Total time		min		50	48
Water consumption (cold+hot)		litre		29+10	17+5
Energy consumption (motor/heating/hot water)		kWh		0.2/0.15/0.6	0.2/0.1/0.3
Residual moisture		%		45	46

* Water temperature 15°C cold water and 65°C hot water.

** Programs with AS.

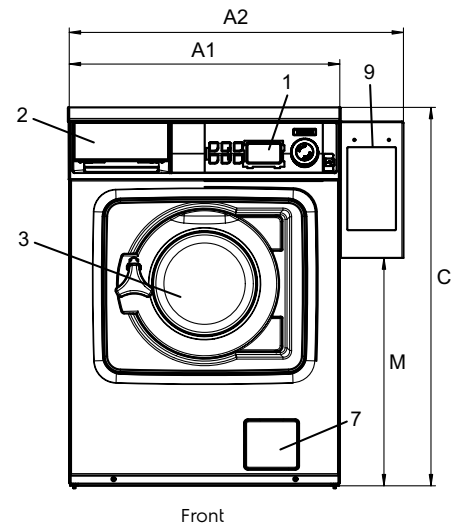
Electrical connections					
Heating alternative	Main voltage		Heating power kW	Total power kW	Recommended fuse A
		Hz			
Electric heated	220-240V 1N ~	50/60	2.2/2.8	2.4/3.0	16
	220-240V 1N ~	50/60	4.4	4.6	20
	220-230V 1N ~	50/60	3.3/4.4	3.5/4.6	16/25
	220-240V 3 ~	50/60	4.4	4.6	16
	220-230V 3 ~	50/60	4.4	4.6	20
	380-415V 3N ~	50/60	4.4	4.6	10
	380-400V 3 ~	50/60	3.3/4.4	3.5/4.6	10/10
	380-415V 3 ~	50/60	3.6	3.8	10
	440V/480 3 ~	60	4.0/4.4	4.3/4.7	10
Non heated	100-240V 1/1N ~	50/60	-	0.5	10

Water connections		WH6-6	
Water valves	DN	20	
Water pressure	kPa	200-500	
Capacity at 300 kPa	l/min	17	
Drain valve	ø mm	50	
Draining capacity	l/min	160	
Liquid detergent supplies		5	
Floor requirements			
Frequency of the dynamic force	Hz	24.2	
Floor load at max extraction	kN	1.02 ± 0.3	
Sound levels			
Sound power/pressure level at extraction*	dB(A)	70/56	
Sound power/pressure level at wash*	dB(A)	56/42	
Heat emission			
% of installed power, max		5	
Shipping data**			
Shipping volume	net, kg	100	
	crated, m ³	0.46	
Accessories			
Stainless steel fluff collector		x	
Stacking kit with tumble dryer		x	
Steel base		x	
Dimensions in mm			
A1	Width	595	
A2	Width	735	
B	Depth	680	
C	Height	830	
D1		285	
D2		310	
E		640	
F		85	
G		195	
H		50	
I		65	
J		80	
K		120	
L		120	
M		500	
N		975	
O		765	
1	Operating panel	6	Drain valve
2	Detergent box	7	Drain pump
3	Door opening ø 255 mm	8	Electrical connection
4	Cold water	9	Payment system
5	Hot water		

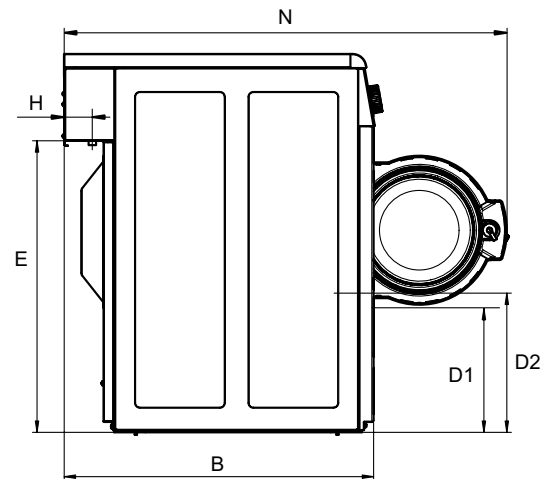
Front and side panels in silver grey and dark blue (color samples can be ordered on part number 472998313).

* Sound power levels measured according to ISO 60704.

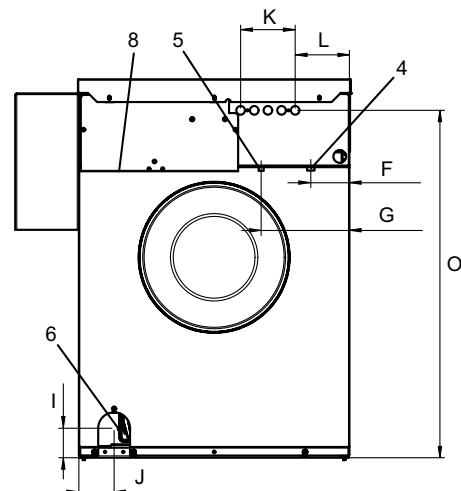
** Average data. Crated weight/shipping volume depends on configuration. Please contact logistics for exact measures.



Front



Side view



Rear