

Vacuum Ironing Table

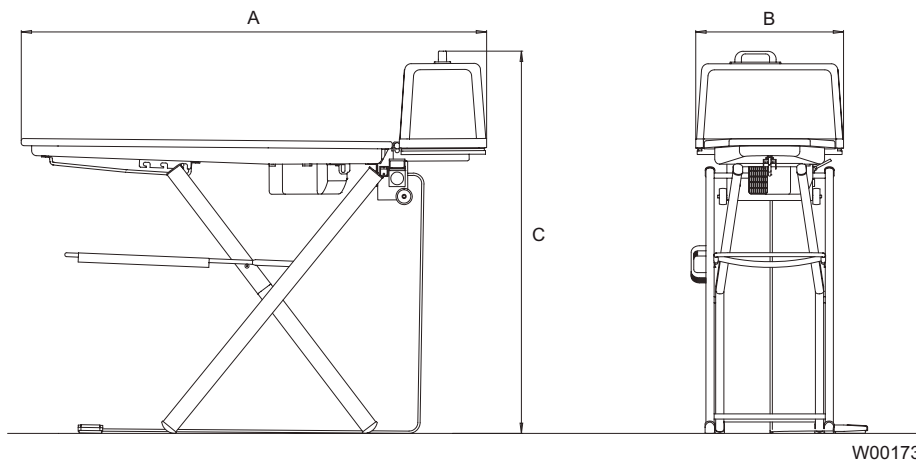
FIT1



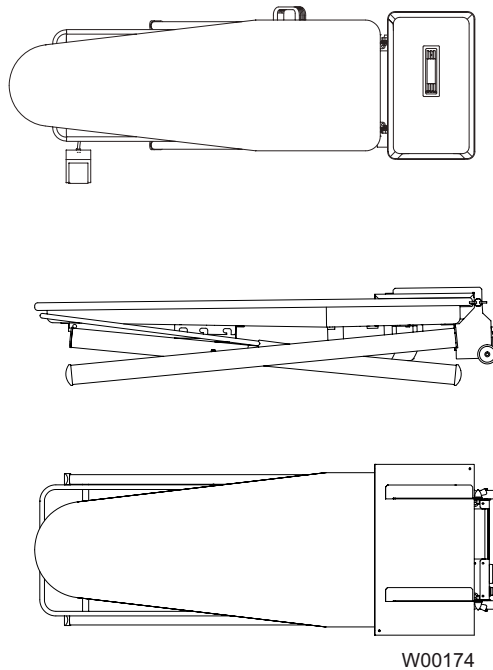
Features and benefits

- Vacuum and heating ironing surface
- Adjustable in height for smooth ironing operation
- Movable and easy operated foot pedal
- Foldable
- Foldable support for boiler
- Wheels
- Handle for carriage
- AISI 316 stainless steel boiler – easy to maintain
- Water loading funnel for an easy water filling
- Energy saving: only 1150W
- Functions with normal water
- Equipped with Professional iron with double thermostat (working + safety thermostat)
- Third safety thermostat (manual reset) on boiler to prevent burning of heating element
- Buzzer
- Working time: 2 hours

Electrical connections		FIT1
Voltage		
200-250V 1 AC 50 Hz	kW(A)	1.55 (10)
Shipping data		
	net, kg	24.5
	boxed, kg	28
Dimensions in mm (table)		
A	Widht	1420
B	Depth	440
C	Height	850



W00173



W00174