

Washer extractor

H7-55

Features and benefits

- **Intelligent control offers:**
 - Large display and one control knob for easy program selection
 - Language selection
 - Quick selection and option buttons for the most frequently used wash programs and options
 - Wash program packages optimized on Economy, Performance and Time. (Available on general programs)
- Extremely low water and energy consumption – see table below
- Four compartment detergent box for manual dosing of powder or liquid detergent
- High extraction force for efficient dewatering
- Door with gasket and strong hinges built for heavy duty operation
- Stainless and galvanized steel in all vital parts for high degree of rust protection



Images shown are a representation of the product only and variations may occur.

Main options

- Automatic liquid detergent supply (optional I/O board)
- Connection to booking- /payment- system or coin meter
- Drain pump
- Stacking kit to install tumble dryer D7-130 on top to save space

Main specifications				H7-55	
Max. capacity	filling factor 1:9	kg/lb	6/13		
Drum,	volume	litre	53		
	diameter	ø mm	452		
Extraction		rpm	1450		
G-factor			530		
Heating alternatives, 230/400V	electricity non-heated	kW	2.2 / 2.8 / 4.4		
			x		
Consumption data "Normal 60°C"					
Economy*				Full load, 6 kg	Half load, 3 kg
Total time		min	49	46	
Water consumption (cold+hot)		litre	38+10	18+5	
Energy consumption (motor/heating/hot water)		kWh	0.2/0.2/0.6	0.2/0.1/0.3	
Residual moisture		%	46	48	

* Water temperature 15°C cold water and 65°C hot water.

Produced according to ISO 9001 and ISO 14001.

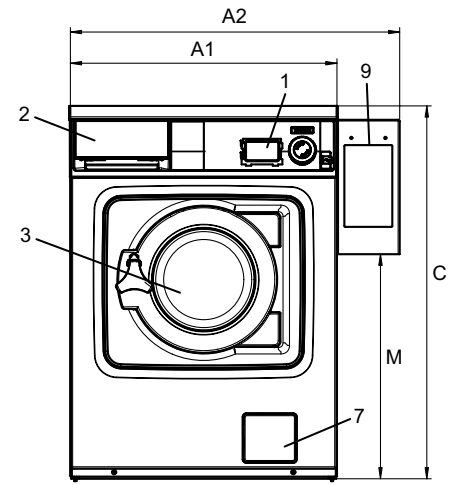
Certified with CB certificate for Low Voltage Directive and S-mark according to the Machinery Directive. Protection class IP X4D.

Electrical connections					
Heating alternative	Main voltage		Heating power kW	Total power kW	Recommended fuse A
	Hz	Hz			
Electric heated	220-240V 1N ~	50/60	2.2/2.8	2.4/3.0	16
	220-240V 1N ~	50/60	4.4	4.6	20
	220-230V 1N ~	50/60	4.4	4.6	25
	220-240V 3 ~	50/60	4.4	4.6	16
	220-230V 3 ~	50/60	4.4	4.6	20
	380-415V 3N ~	50/60	4.4	4.6	10
	380-415V 3 ~	50/60	3.6	3.8	10
	440V/480 3 ~	60	4.0/4.4	4.3/4.7	10
Non heated	110-480V 1/3 ~	50/60	-	0.5	10

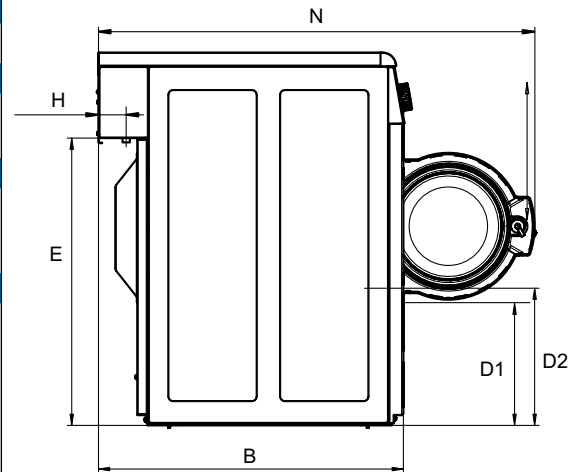
Water connections		H7-55
Water valves	DN	20
Water pressure	kPa	200-500
Capacity at 300 kPa	l/min	17
Drain valve	ø mm	50
Draining capacity	l/min	160
Liquid detergent supplies		5
Floor requirements		
Frequency of the dynamic force	Hz	24.2
Floor load at max extraction	kN	1.02 ± 0.3
Sound levels		
Sound power/pressure level at extraction*	dB(A)	70/56
Sound power/pressure level at wash*	dB(A)	56/42
Heat emission		
% of installed power, max		5
Shipping data**		
Shipping volume	net, kg crated, m ³	100 0.46
Accessories		
Stainless steel fluff collector		x
Stacking kit with tumble dryer		x
Steel base		x
Dimensions in mm		
A1 Width		595
A2 Width		735
B Depth		681
C Height		832
D1		284
D2		310
E		641
F		84
G		194
H		48
I		65
J		78
K		120
L		119
M		501
N		974
O		764
1 Operating panel	6 Drain valve	
2 Detergent box	7 Drain pump	
3 Door opening ø 255 mm	8 Electrical connection	
4 Cold water	9 Payment system	
5 Hot water		

* Sound power levels measured according to ISO 60704.

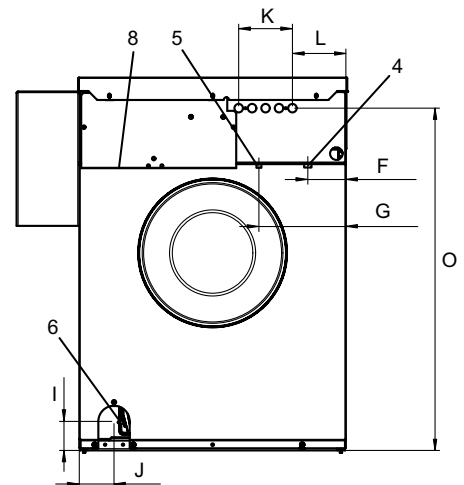
** Average data. Crated weight/shipping volume depends on configuration. Please contact logistics for exact measures.



Front



Side view



Rear