

# Washer extractor

## H7-130

### Features and benefits

- **Intelligent controller offers:**
  - Large display and one control knob for easy program selection
  - Language selection
  - Create new programs in your PC with the Laundry Program Manager, then transfer them to machines via USB port
  - Wash program packages optimized on Economy, Performance and Time. (Available on general programs)
- Extremely low water and energy consumption – see table below
- Four compartment detergent box for manual dosing of powder or liquid detergent
- High extraction force for efficient dewatering
- Door with gasket and strong hinges built for heavy duty operation
- Stainless and galvanized steel in all vital parts for high degree of rust protection
- **Proven robustness:**
  - Maximises the extraction force, leading to highest dewatering and savings in drying
  - Minimizes the stress on the machine, leading to trouble-free operation and increased machine lifetime
  - Reduces vibrations, making it possible to install the machine in all locations



Images shown are a representation of the product only and variations may occur.

### Main options

- Automatic liquid detergent supply (optional I/O board)
- Connection to booking- /payment- system or coin meter

Main specifications				H7-130	
Max. capacity	filling factor 1:9	kg/lb		14/30	
Drum,	volume	litre		130	
	diameter	ø mm		650	
Extraction		rpm		1115	
G-factor				400	
Standard heating alternatives	electricity	kW		13.0	
	steam			x	
	non-heated			x	
<b>Consumption data "Normal 60°C"</b>				EI	Steam**
<b>Economy*</b>					
Total time		min	49	49	
Water consumption (cold+hot)		litre	90+22	112+0	
Energy consumption (motor/heating/hot water)		kWh	0.3/0.65/1.4	0.3/-	
Steam consumption		kg	-	3	
* Water temperature 15°C cold water and 65°C hot water.					
** Depending on steam pressure.					

Electrical connections					
Heating alternative	Main voltage		Heating power kW	Total power kW	Recommended fuse A
		Hz			
Electric heated	220-240V 1~	50/60	4.8/13.0	5.3/13.3	25/63
	220-240V 3~	50/60	4.8/13.0	5.3/13.3	16/35
	380-415V 3N~	50/60	4.8/13.0	5.3/13.3	10/20
	440V 3~	60	13.0	13.3	20
	480V 3~	60	13.0	13.3	20
Steam or Non heated	220-480V 1~	50/60	-	1.2	10

Water and steam connection		H7-130
Water valves	DN	20
Water pressure	kPa	200-600
Capacity at 300 kPa	l/min	20
Drain valve	∅ mm	75
Draining capacity	l/min	170
Steam valve	DN	15
Steam pressure	kPa	300-600
Liquid detergent supplies		5

Floor requirements		
Frequency of the dynamic force	Hz	18.6
Floor load at max extraction	kN	3.1 ± 0.5

Sound levels		
Sound power/pressure level at extraction*	dB(A)	78/62
Sound power/pressure level at wash*	dB(A)	63/48

Heat emission	
% of installed power, max	5

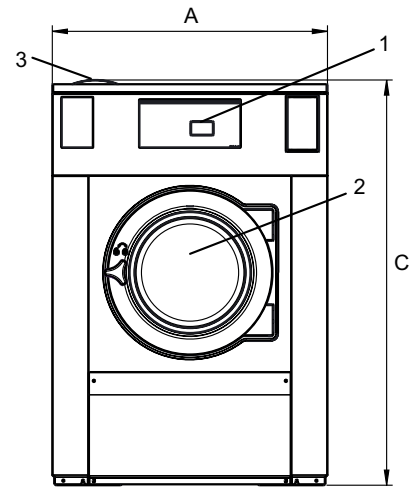
Shipping data**		
Weight	net, kg	263
Shipping volume	m <sup>3</sup>	1.37

Accessories		
Steel base		x
Hose kits for water or steam		x

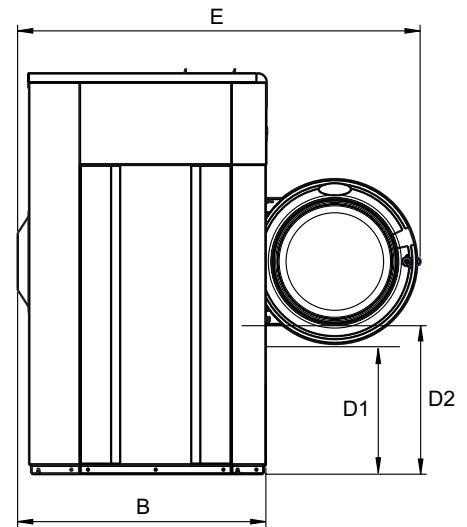
Dimensions in mm		
A	Width	910
B	Depth	821
C	Height	1340
D1		430
D2		491
E		1331
F		1044
G		160
H		1243
I		377
J		297
K		1223
L		1123
M		282
N		100
O		302

1	Operating panel	7	Drain
2	Door opening ∅ 395 mm	8	Liquid detergent supply
3	Detergent box	9	Electrical connection
4	Cold water	10	Steam connection
5	Hot water		
6	Re-used water		

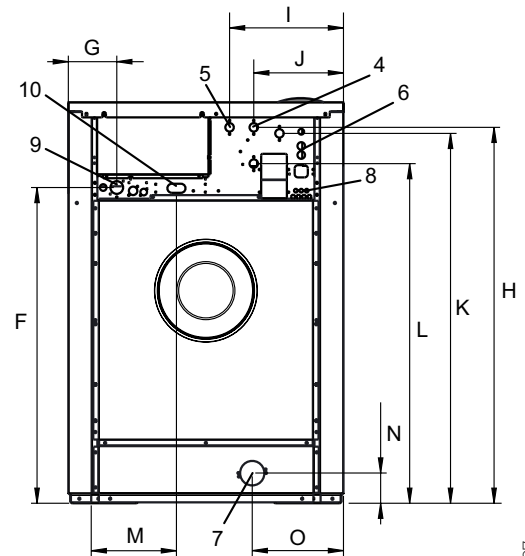
\* Sound power levels measured according to ISO 60704.  
 \*\* Average data. Crated weight/shipping volume depends on configuration. Please contact logistics for exact measures.



Front



Side view



Rear