

# Washer extractor

## H7-105

### Features and benefits

- **Intelligent controller offers:**
  - Large display and one control knob for easy program selection
  - Language selection
  - Create new programs in your PC with the Laundry Program Manager, then transfer them to machines via USB port
  - Wash program packages optimized on Economy, Performance and Time. (Available on general programs)
- Low water and energy consumption – see table below
- Four compartment detergent box for manual dosing of powder or liquid detergent
- High extraction force for efficient dewatering
- Door with gasket and strong hinges built for heavy duty operation
- Stainless and galvanized steel in all vital parts for high degree of rust protection
- **Proven robustness:**
  - Maximises the extraction force, leading to highest dewatering and savings in drying
  - Minimizes the stress on the machine, leading to trouble-free operation and increased machine lifetime
  - Reduces vibrations, making it possible to install the machine in all locations



Images shown are a representation of the product only and variations may occur.

### Main options

- Automatic liquid detergent supply (optional I/O board)
- Stainless steel front panel
- Connection to booking- /payment- system or coin meter
- Drain pump

Main specifications				H7-105	
Max. capacity	filling factor 1:9	kg/lb		11/25	
Drum,	volume	litre		105	
	diameter	ø mm		595	
Extraction		rpm		1165	
G-factor				400	
Standard heating alternatives	electricity	kW		10.0	
Low energy heating alternatives	electricity	kW		3.0* / 7.5*	
	steam			x	
	non-heated			x	
<b>Consumption data "Normal 60°C" Economy**</b>				El	Steam***
Total time		min	48		48
Water consumption (cold+hot)		litre	74+17		91+0
Energy consumption (motor/heating/hot water)		kWh	0.25/0.5/1.1		0.25/-
Steam consumption		kg	-		2.4
* Special requirement on request.					
** Water temperature 15°C cold water and 65°C hot water.					
*** Depending on steam pressure.					

Electrical connections					
Heating alternative	Main voltage		Heating power kW	Total power kW	Recommended fuse A
		Hz			
Electric heated	220-240V 1~	50/60	3.0/7.5/10.0	3.3/7.8/10.3	16/35/50
	220-240V 3~	50/60	7.5/10.0	7.8/10.3	20/35
	380-415V 3N~	50/60	7.5/10.0	7.8/10.3	16
	440V 3~	60	7.5/10.0	7.8/10.3	16
	480V 3~	60	7.5/10.0	7.8/10.3	10/16
Steam or Non heated	220-480V 1~	50/60	-	1.1	10

Water and steam connection		H7-105
Water valves	DN	20
Water pressure	kPa	200-600
Capacity at 300 kPa	l/min	20
Drain valve	ø mm	50/75
Draining capacity	l/min	170
Steam valve	DN	15
Steam pressure	kPa	300-600
Liquid detergent supplies		5

Floor requirements		
Frequency of the dynamic force	Hz	19.4
Floor load at max extraction	kN	2.5 ± 0.5

Sound levels		
Sound power/pressure level at extraction*	dB(A)	76/62
Sound power/pressure level at wash*	dB(A)	61/46

Heat emission	
% of installed power, max	5

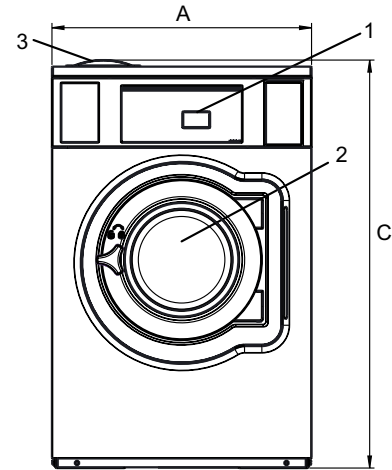
Shipping data**		
Weight	net, kg	202
Shipping volume	m <sup>3</sup>	1.02

Accessories		
Steel base		x
Hose kits for water or steam		x

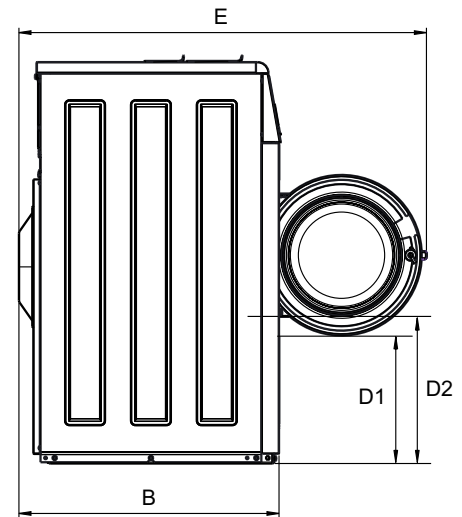
Dimensions in mm		
A	Width	830
B	Depth	757
C	Height	1212
D1		355
D2		412
E		1223
F		916
G		80
H		1115
I		217
J		124
K		1095
L		995
M		278
N		102
O		294

1	Operating panel	7	Drain
2	Door opening ø 365 mm	8	Liquid detergent supply
3	Detergent box	9	Electrical connection
4	Cold water	10	Steam connection
5	Hot water		
6	Re-used water		

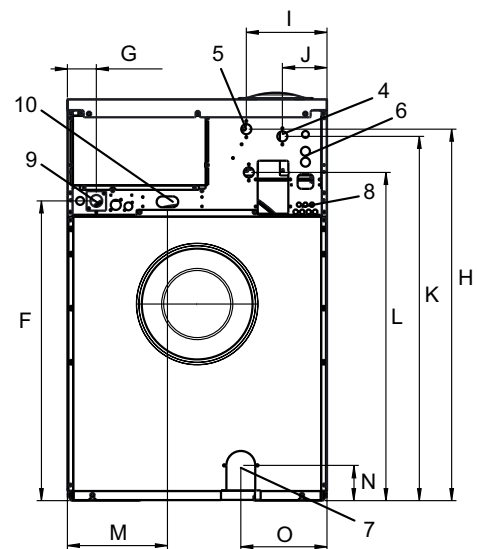
\* Sound power levels measured according to ISO 60704.  
 \*\* Average data. Crated weight/shipping volume depends on configuration. Please contact logistics for exact measures.



Front



Side view



Rear