

Professional Dryer

PD9C

Features and benefits

- PD9C is a large capacity tumble dryer for professional users
- With Compass Pro program control
 - A control knob for simple program selection and start
 - Large and clear display
 - Time and temperature selection for flexible use
- Anti-crease cycle for avoiding creasing if the dryer is not unloaded
- Low energy consumption for optimal efficiency
- Reversible door hanging for a convenient laundry flow
- Large door opening for easy loading/unloading
- White painted cabinet
- The coin version with Ecopower to avoid over drying of the garments and get a lower energy consumption



Images shown are a representation of the product only and variations may occur.

Options

- Payment: coinmeter with Ecopower
- Fresh air intake

Main specifications		PD9C	
Capacity, max	kg/lb	10.6/23.4	
Heating, electric	kW	6.0/8.0	
Consumption data*		6.0kW	8.0kW
Total time full load	min	47	37
Energy consumption full load	kWh	4.6	4.6
Evaporation	g/min	106	135
Energy kWh/litre water evaporated	kWh	0.92	0.92

* At rated capacity 100% cotton load at 50% initial moisture dried to 0%.

Produced according to ISO 9001 and ISO 14001.

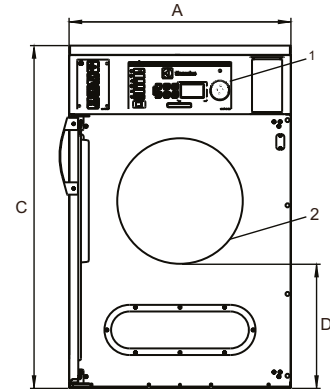
Certified with CB certificate for Low Voltage Directive and S-mark according to the Machinery Directive. Protection class IP X4D.

Electrical connections					
Heating alternative	Main voltage		Heating power kW	Total power kW	Recommended fuse A
		Hz			
Electric heated	220-240V 1 -	50/60	6.0/8.0	6.3/8.3	35/50
	220-230V 3 -	50/60	6.0/8.0	6.3/8.3	20/25
	240V 3 -	50/60	6.0/8.0	6.3/8.3	16/25
	380-415V 3 -	50/60	6.0/8.0	6.3/8.3	10/16
	440/480V 3 -	60	6.0/8.0	6.3/8.3	10/16

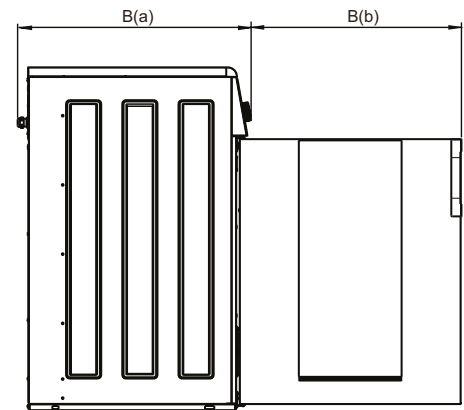
Air connections			PD9C
Air outlet		ø mm	125
Evacuated air	6.0 kW (el)	m ³ /h	270
	8.0 kW (el)		290
Pressure drop	6.0 kW	Max. Pa	120
	8.0 kW		70
Sound levels			
Sound pressure level*		dB(A)	<70
Heat emission			
% of installed power, max			15
Shipping data**			
Shipping volume		net, kg	99
		crated, m ³	0.83
Dimensions in mm			
A	Width		721
B(a)	Depth		759
B(b)	Depth		684
C	Height		1114
D			404
E			45
F			180
G			88
H			113
1	Operating panel		
2	Door opening ø 400 mm		
3	Electrical connection		
4	Exhaust connection		

* A-weighted emission sound pressure level at workingstations.

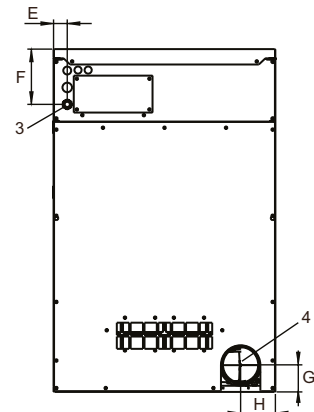
** Average data. Crated weight/shipping volume depends on configuration. Please contact logistics for exact measures.



Front



Left side



Rear side