

# Tumble dryer

## D7-675

### Features and benefits

- Axial airflow and tight construction gives low energy consumption
- High productivity - 2 full loads per hour
- Large door opening for easy loading and unloading
- Easy and ergonomic access to the lint screen
- Excellent water evaporation efficiency per kWh
- The coin version with Ecopower to avoid over drying of the garments and get a lower energy consumption
- With Intelligent control
  - Large and clear display with control knob for easy program selection
  - Easy access with user-friendly interface
  - Language selection
  - Drying program packages optimized for Economy, Care and Time
  - Service program for adjustment of parameters
  - USB connection

### Main options

- Stainless steel front
- Stainless steel drum
- Residual Moisture Control - RMC
- Connection to booking- /payment- system or coin meter
- Reversing drum
- Emergency stop button
- Supply disconnecter

### Accessories

- Fresh air intake
- Exhaust on top

**Note! Top evacuation is not available on steam heated tumble dryers**



Images shown are a representation of the product only and variations may occur.

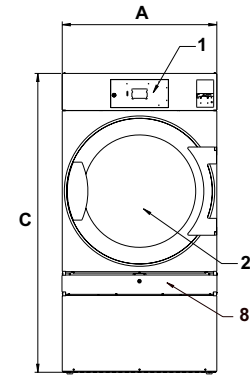
Main specifications			D7-675			
Rated capacity, filling factor 1:18	kg/lb		37.5/82.7			
	filling factor 1:22	kg/lb	30.6/67.5			
Drum volume	litre		675			
Drum diameter	mm		913			
Heating alternatives	electric	kW	32.0* / 40.0			
	gas	BTU/h (kW)	14 3400 (42)			
	steam at 600-700 kPa	kW	46			
<b>Consumption data**</b>			32.0* kW	40.0 kW	Gas	Steam
Total time at 30.6 kg	min		28	23	23	22
Energy consumption at 30.6 kg	kWh		15.10	15.08	16.42	19.27
Evaporation	g/min		544	676	653	700
Energy kWh/litre water evaporated	kWh/l		0.98	0.98	1.07	1.26

\* Special requirement on request.

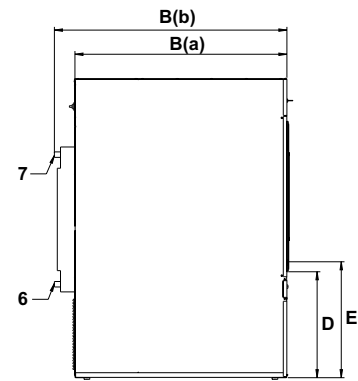
\*\* At rated capacity 100% cotton load at 50% initial moisture dried to 0%.

Electrical connections					
Heating alternative	Main voltage		Heating power kW	Total power kW	Recommended fuse A
	Hz	Hz			
Electric heated	220-240V 3 ~	50/60	32.0/40.0	34.4/42.4	100/125
	380-415V 3 ~	50/60	32.0/40.0	34.5/42.5	50/63
	400V 3 ~	50/60	24.0	26.5	50
Gas heated / Steam heated	220-240V 1 ~	50/60	-	2.0	10
	220-240V 3 ~	50/60	-	2.4	10
	380-480V 3 ~	50/60	-	2.5	10

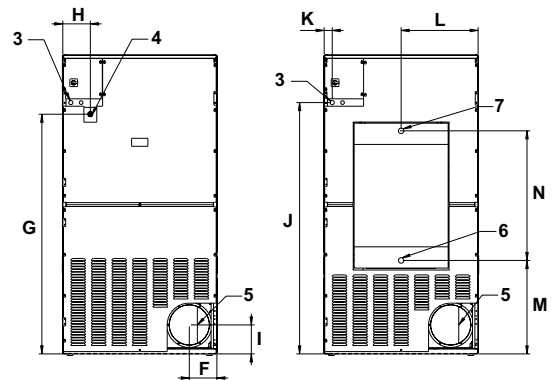
Steam, gas and air connections			D7-675
Steam	ISO 7/1-R		1"
Steam pressure		kPa	100-1000
Steam consumption		kg/h	65
Condensate	ISO 7/1-R		1"
Gas	NG/PG	ISO 7/1-R	1/2"
Gas pressure	Natural gas	Pa	2000
		mbar	20
	Propane	Pa	2800-3700
		mbar	28-37
Air outlet		ø mm	200
Maximum air flow:			
	Electric 50 Hz / 60 Hz	m³/h	1140 / 1140
	Gas 50 Hz / 60 Hz	m³/h	1140 / 1140
	Steam 50 Hz / 60 Hz	m³/h	1380 / 1380
Maximum static back pressure:			
	Electric 50 Hz / 60 Hz	Pa	270 / 800
	Gas 50 Hz / 60 Hz	Pa	410 / 800
	Steam 50 Hz / 60 Hz	Pa	900 / 1100
Sound levels			
Sound power/pressure level at drying*		dB(A)	74/57
Heat emission			
% of installed power, max			15
Shipping data**			
Shipping volume		net, kg	283
		crated, m³	3.25
Dimensions in mm			
<b>A</b>	Width		961
<b>B(a)</b>	Depth		1560
<b>B(b)</b>	Depth		1640
<b>C</b>	Height		1857
<b>D</b>			660
<b>E</b>			720
<b>F</b>			170
<b>G</b>			1490
<b>H</b>			200
<b>I</b>			180
<b>J</b>			1560
<b>K</b>			50
<b>L</b>			480
<b>M</b>			580
<b>N</b>			805
<b>1</b>	Control panel		
<b>2</b>	Door opening ø 810 mm		
<b>3</b>	Electrical connection		
<b>4</b>	Gas connection		
<b>5</b>	Exhaust connection		
<b>6</b>	Condensate connection		
<b>7</b>	Steam connection		
<b>8</b>	Lint screen		



Front



Left side



El, gas

Steam

Rear side

\* Sound power levels measured according to ISO 60704.

\*\* Average data. Crated weight/shipping volume depends on configuration. Please contact logistics for exact measures.