

Tumble dryer

D7-425S

Features and benefits

- High productivity – 2 full loads per hour per pocket
- Low energy consumption for optimal efficiency and economy
- Selection of temperature and time for easy operation
- Customized user panels for specific user needs – available for Coin and OPL (On Premises Laundry)
- Large door opening for easy loading and unloading
- Easy access to vital parts from front and rear for simple servicing
- With intelligent control
 - Large and clear display for easy program selection
 - Easy access with user-friendly interface
 - Language selection
 - Service program for adjustment of parameters
 - USB connection
- Service program for adjustment of parameters eg. temperature and cool-down time
- The coin version with Ecopower to avoid over drying of the garments and get a lower energy consumption

Main options

- Stainless steel front
- Stainless steel drum
- Reversing drum
- Connection to booking- /payment- system or coin meter



Images shown are a representation of the product only and variations may occur.

Main specifications**			D7-425S
Rated capacity, filling factor 1:18	kg/lb		23.5/51.7
filling factor 1:22	kg/lb		19.2/42.3
Drum volume	litre		423
Drum diameter	mm		832
Heating			
gas	BTU/h (kW)		94 000 (27.5)
Consumption data (filling factor 1:22)*			Gas
Total time	min		22
Energy consumption	kWh		10.2
Evaporation	g/min		440
Energy kWh/litre water evaporated	kWh/l		1.06
Max. pressure drop	Pa		520
* At rated capacity 100% cotton load at 50% initial moisture dried to 0%.			
** Value per pocket.			

Electrical connections					
Heating alternative	Main voltage		Heating power kW	Total power kW	Recommended fuse A
		Hz			
Gas heated	220-240V 3 ~	50/60	-	1.3	10
	380-480V 3 ~	50/60	-	1.5	10
	230-240V 1 ~	50	-	1.7	10

Gas and air connections			D7-425S
Gas		ISO 7/1-R	3/4"
Gas pressure	Natural gas	Pa	2000-2500
		mbar	20-25
Propane		Pa	2800-5000
		mbar	28-50
Air outlet		ø mm	200
Evacuated air, gas	gas	m ³ /h	1700
Pressure drop, gas	gas	Max. Pa	520

Sound levels		
Sound power/pressure level at drying*	dB(A)	77/60

Heat emission	
% of installed power, max	15

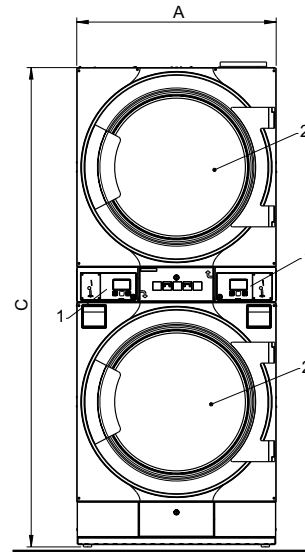
Shipping data**	
net, kg	440
crated, m ³	2.8

Dimensions in mm	
A Width	868
B Depth	1336
C Height	2086
D	34
E	1310
F	1238
G	288
H	215
I	1084
J	141
K	40
L	34
M	32
N1	110
N2	145
N3	189
O	816
P	2183

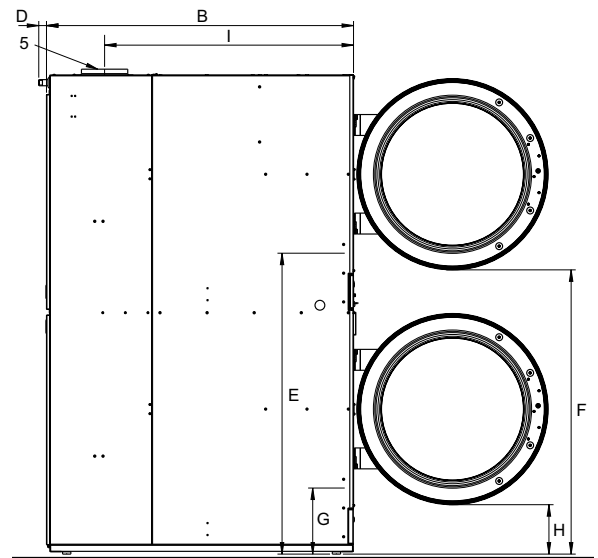
- 1 Operating panel
- 2 Door opening ø 687 mm
- 3 Electrical connection
- 4 Gas connection
- 5 Exhaust connection

* Sound power levels measured according to ISO 60704.

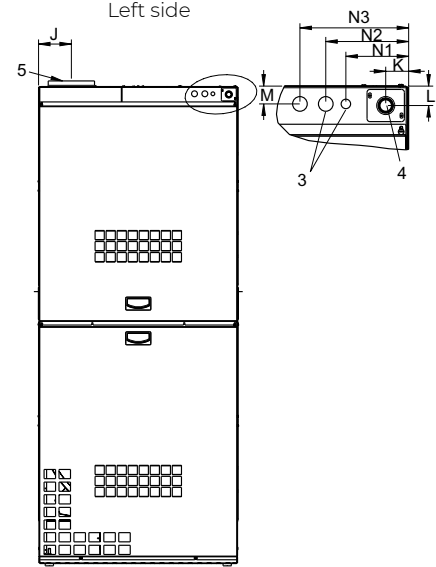
** Average data. Crated weight/shipping volume depends on configuration. Please contact logistics for exact measures.



Front



Left side



Rear side

