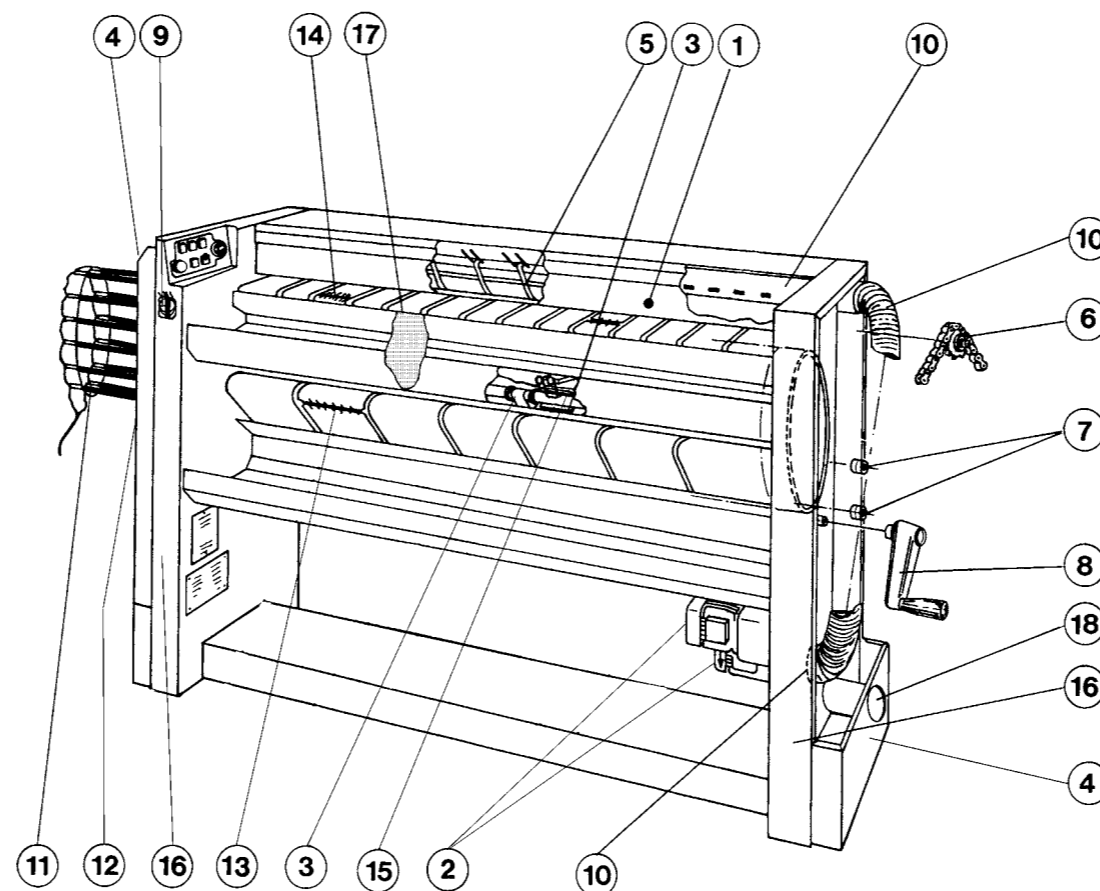


IC43316 - IC43320

MAINTENANCE

UTILIZATION

- Check that the linen tolerates ironing, and at which temperature.
- Be careful with synthetic linen and also with linen having prints on. They can melt and stick on the cylinder.
- If the linen must be ironed twice to get dry, there is a risk of yellowing and likewise if the speed is too reduced.
- If the linen is not dry after one ironing, it may be due to :
 - your washing machine having a low extraction capacity (below 300 G) ; if this is so, a short pre-drying (5-10 min) in a tumble dryer is advised.
 - the thickness of the linen.
 - a too high ironing speed.
- If possible, use the whole drum width.
- If small sheets or other small items are to be ironed, these should be fed alternately left and right of the heating drum.



DAILY (8 h)

1. Check that the finger protection is working.

WEEKLY (40 h)

2. Clean the fan grates of motors.
3. Clean the stripper fingers and the thermostat attachment.
4. Clean the ironer external, from dust.

MONTHLY (170 h)

5. Check that the parting strips are intact and replace if necessary.

EVERY SIX MONTH (1000 h)

6. Slightly grease the chains (see lubrication table in the handbook).
7. Clean and check the support rollers of the cylinder.
8. Check that the crank is working.
9. Check that the electrical connections are shut off on the supply terminal.
10. Clean the whole suction device.
11. Check the heating elements, wires and connections (only for electric heated machines).
12. Clean the gas filters (only for gas heated machines).
13. Check the condition and tension of the ironing strips and of the clips.
14. Check the feeding bands, their drive and the clamps.
15. Check that the thermostat is working.
16. Clean the ironer internal, from dust.

ONCE A YEAR (2000 h)

17. Check if the cylinder has any deposits of detergent or lime. Clean if necessary.
18. Check and clean the outer pipes.