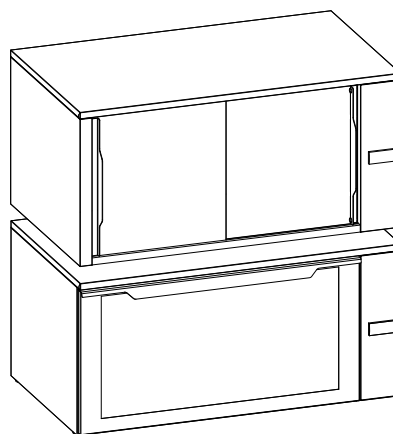


# Safe box



---

EN Installation and operating manual \*




## Foreword

 Read the following instructions, including the warranty terms before installing and using the appliance.

**Visit our website [www.electroluxprofessional.com](http://www.electroluxprofessional.com) and open the Support section to:**

---

 Register your product

 Get hints & tips of your product, service and repair information

---

The installation, use and maintenance manual (hereinafter Manual) provides the user with information necessary for correct and safe use of the appliance.

The following must not be considered a long and exacting list of warnings, but rather a set of instructions suitable for improving appliance performance in every respect and, above all, preventing injury to persons and animals and damage to property due to improper operating procedures.

All persons involved in appliance transport, installation, commissioning, use and maintenance, repair and disassembly must consult and carefully read this manual before carrying out the various operations, in order to avoid wrong and improper actions that could compromise the appliance's integrity or endanger people. Make sure to periodically inform the user regarding the safety regulations. It is also important to instruct and update personnel authorised to operate on the appliance, regarding its use and maintenance.

The manual must be available to operators and carefully kept in the place where the appliance is used, so that it is always at hand for consultation in case of doubts or whenever required.

If, after reading this manual, there are still doubts regarding appliance use, do not hesitate to contact the Manufacturer or the authorised Service Centre to receive prompt and precise assistance for better operation and maximum efficiency of the appliance. During all stages of appliance use, always respect the current regulations on safety, work hygiene and environmental protection. It is the user's responsibility to make sure the appliance is started and operated only in optimum conditions of safety for people, animals and property.



### IMPORTANT

- The manufacturer declines any liability for operations carried out on the appliance without respecting the instructions given in this manual.
- The manufacturer reserves the right to modify the appliances presented in this publication without notice.
- No part of this manual may be reproduced.
- This manual is available in digital format by:
  - contacting the dealer or reference customer care;
  - downloading the latest and up to date manual on the web site [www.electroluxprofessional.com](http://www.electroluxprofessional.com);
- The manual must always be kept in an easily accessed place near the appliance. Appliance operators and maintenance personnel must be able to easily find and consult it at any time.


# Contents

A	WARNING AND SAFETY INFORMATION	4
A.1	General information	4
A.2	Personal protection equipment	4
A.3	General safety	5
A.4	Protection devices installed on the appliance	5
A.5	Safety signs to be placed on the appliance or near its area	6
A.6	Reasonably foreseeable improper use	6
A.7	Food storage	6
A.8	Residual risks	6
A.9	Transport, handling and storage	7
A.10	Installation and assembly	7
A.11	Electrical connection	7
A.12	Positioning	7
A.13	Appliance space limits	8
A.14	Appliance cleaning	8
A.15	Preventive Maintenance	8
A.16	Parts and accessories	8
A.17	Precautions for use and maintenance	8
A.18	Appliance maintenance	8
A.19	Maintenance intervals	8
A.20	Appliance disposal	9
B	WARRANTY TERMS AND EXCLUSIONS	9
C	GENERAL INFORMATION	9
C.1	Introduction	9
C.2	Intended use and restrictions	9
C.3	Testing and inspection	10
C.4	Copyright	10
C.5	Keeping the manual	10
C.6	Recipients of the manual	10
C.7	Definitions	10
C.8	Responsibility	10
C.9	Customer packaging checks	10
C.10	Storage	10
D	INSTALLATION DIAGRAMS	11
E	INSTALLATION AND ASSEMBLY	12
E.1	Introduction	12
E.2	Customer's responsibilities	12
E.3	Disposal of packing	12
E.4	Positioning	12
E.5	Sliding doors installation	13
E.6	Electrical connection	13
E.7	Electrical connection for appliances with plug	14
E.8	Electrical connection for appliances with cable without plug	14
E.9	Installation of multiple appliances	14
F	NORMAL APPLIANCE USE	15
F.1	Characteristics of personnel enabled to operate on the appliance	15
F.2	Basic requirements for appliance use	16
G	PRODUCT DESCRIPTION	16
G.1	Appliance description	16
G.2	Appliance overview	16
G.3	Control panel description	16
G.4	Appliance and manufacturer's identification data	16
H	OPERATING	16
H.1	Before first use	16
H.2	Daily use	17
H.3	Place the packages	17
I	APPLIANCE CLEANING AND MAINTENANCE	17
I.1	Care information	17
I.2	Cleaning introduction	17
I.3	Daily cleaning	18
I.4	Periodical cleaning	18
I.5	Periods of non-use	18
J	TROUBLESHOOTING	18
J.1	Introduction	18
J.2	Troubleshooting	19
K	APPLIANCE DISPOSAL	20
K.1	Procedure regarding appliance disposal	20


## A WARNING AND SAFETY INFORMATION


### A.1 General information


To ensure safe use of the appliance and a proper understanding of the manual it is necessary to be familiar with the terms and typographical conventions used in the documentation. The following symbols are used in the manual to indicate and identify the various types of hazards:


 **WARNING**  
Danger for the health and safety of operators.


 **WARNING**  
Danger of electrocution - dangerous voltage.

 **CAUTION**  
Risk of damage to the appliance or the product.

 **IMPORTANT**  
Important instructions or information on the product

 Equipotentiality






 Read the instructions before using the appliance






 Clarifications and explanations

- Incorrect installation, servicing, maintenance, cleaning or modifications to the unit may result in damage, injury or death.
- Only specialised personnel are authorised to operate on the appliance.
- This appliance is to be intended for commercial and collective use, for example in kitchens of restaurants, canteens, hospitals and in commercial enterprises such as bakeries, butcheries, etc., not for continuous mass production of food. Any other use is deemed improper.
- The appliance is also intended to be used in an area open to the public.
- This appliance is not intended to be used by laymen in household and similar applications such as staff kitchen areas in shops, offices and other working environments, farm houses, in hotels, motels and other residential type environments, bed and breakfast type environments.
- This appliance must not be used by minors and adults with limited physical, sensory or mental abilities or without adequate experience and knowledge regarding its use.
- Do not let children play with the appliance.
- Keep all packaging and detergents away from children.
- For your safety do not store or use gasoline or other flammable materials, vapours and liquids in the vicinity of this or any other appliance.
- Do not store explosive substances, such as pressurized containers with flammable propellant, in this appliance.
- Refer to the data given on the appliance's data plate for relations with the Manufacturer (e.g. when ordering spare parts, etc.).
- When scrapping the appliance, the marking CE must be destroyed.
- Save these instructions carefully for further consultation by the various operators.

### A.2 Personal protection equipment

Summary table of the Personal Protection Equipment (PPE) to be used during the various stages of the appliance's service life.

Stage	Protective garments 	Safety footwear 	Gloves 	Glasses 	Safety helmet 
Transport	—	●	○	—	○
Handling	—	●	○	—	—
Unpacking	—	●	○	—	—
Installation	—	●	● <sup>1</sup>	—	—
Normal use	—	○	○	—	—
Adjustments	○	●	—	—	—
Routine cleaning	○	●	● <sup>1-2</sup>	○	—

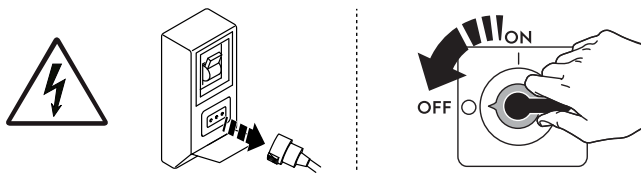
Stage	Protective garments	Safety footwear	Gloves	Glasses	Safety helmet
					
Extraordinary cleaning	○	●	● <sup>1-2</sup>	○	—
Maintenance	○	●	○	—	—
Dismantling	○	●	○	○	—
Scrapping	○	●	○	○	—
<b>Key:</b>					
●	<b>PPE REQUIRED</b>				
○	<b>PPE AVAILABLE OR TO BE USED IF NECESSARY</b>				
—	<b>PPE NOT REQUIRED</b>				

1. During these operations, gloves must be cut-resistant. Failure to use the personal protection equipment by operators, specialized personnel or users can involve exposure to damage to health (depending on the model).

2. During these operations, gloves must be suitable for contact with chemical substances used (refer to the safety data sheet of the substances used for information regarding the required PPE). Failure to use the personal protection equipment by operators, specialized personnel or users can involve exposure to chemical risk and cause possible damage to health (depending on the model).

### A.3 General safety

- The appliances are provided with electric and/or mechanical safety devices for protecting workers and the appliance itself.
- Never operate the appliance, removing, modifying or tampering with the guards, protection or safety devices.
- Do not make any modifications to the parts supplied with the appliance.
- Several illustrations in the manual show the appliance, or parts of it, without guards or with guards removed. This is purely for explanatory purposes. Do not use the appliance without the guards or with the protection devices deactivated.



Disconnect the appliance from the power supply before carrying out any installation, assembly, cleaning or maintenance procedure.

- Do not remove, tamper with or make illegible the CE marking, the safety, danger and instruction signs and labels on the appliance.
- The A-weighted emission sound pressure level does not exceed 70 dB(A).
- If the glass doors show signs of damage, immediately make the appliance inoperative.
- Do not use products (even if diluted) containing chlorine (sodium hypochlorite, hydrochloric or muriatic acid, etc.) to clean the appliance or the floor under it.
- Carefully avoid exposure of the equipment to ozone - do not use ozonizers in the rooms where the equipment is installed.
- Do not spray aerosols in the vicinity of this appliance while it is in operation.
- Install the appliance under conditions of adequate ventilation in order to provide a suitable air change per hour. Make sure that the ventilation system, whatever it is, always remains operational and efficient for the entire period of time during which the equipment is operating.
- The following operations have to be carried out by specialised authorised personnel or Customer Care Service provided with all the appropriate personal protection equipment (A.2 *Personal protection equipment*), tools, utensils and ancillary means, who can ask the manufacturer to supply a servicing manual:
  - Installation and assembly
  - Positioning
  - Electrical connection
  - Appliance cleaning, repair and extraordinary maintenance
  - Appliance disposal
  - Work on electrical equipment






### A.4 Protection devices installed on the appliance

#### Guards

The appliance has:

- fixed guards (e.g. casings, covers, side panels, etc.), fixed to the appliance and/or frame with screws or quick-release connectors that can only be removed or opened with tools; therefore the user must not remove or tamper with such devices. The Manufacturer declines any liability for damage due to tampering or their non-use;
- interlocked movable guards (door) for access inside the appliance;
- appliance electrical equipment access panels or doors, made from hinged panels openable with tools. The panel or the door must not be opened when the appliance is connected to the power supply.

## A.5 Safety signs to be placed on the appliance or near its area

Prohibition	Meaning
	do not remove the safety devices
	do not use water to extinguish fires (placed on electrical parts)
Danger	Meaning
	caution hot surface
	danger of electrocution (shown on electrical parts with indication of voltage)
	exposure to UV-C rays

## A.6 Reasonably foreseeable improper use

Improper use is any use different from that specified in this manual. During appliance operation, other types of work or activities deemed improper and that in general can involve risks for the safety of operators and damage to the appliance are not allowed. Reasonably foreseeable improper use includes:

- lack of appliance maintenance, cleaning and periodical checks;
- structural changes or modifications to the operating logic;
- tampering with the guards or safety devices;
- failure to use personal protection equipment by operators, specialised personnel and maintenance personnel;
- failure to use suitable accessories (e.g. use of unsuitable equipment or ladders);
- keeping combustible or flammable materials, or in any case materials not compatible with or pertinent to the work, near the appliance;
- wrong appliance installation;
- placing in the appliance any objects or things not compatible with its use, or that can damage the appliance, cause injury or pollute the environment;
- climbing on the appliance;
- non-compliance with the requirements for correct appliance use;
- other actions that give rise to risks not eliminable by the Manufacturer.
- failure to insure complete closure of doors or drawers, through forgetfulness or carelessness
- place the product in the compartments so as to block proper air circulation or hinder the perfect closing of doors / drawers

## A.7 Food storage



### **WARNING**

Pack food completely and properly before placing and storing it in the appliance.

## A.8 Residual risks

The appliance has several risks that were not completely eliminated from a design standpoint or with the installation of adequate protection devices. Nevertheless, through this manual the Manufacturer has taken steps to inform operators of such risks, carefully indicating the personal protection equipment to be used by them. In order to reduce the risks, provide for sufficient spaces while installing the unit.

To preserve these conditions, the areas around the appliance must always be:

- kept free of obstacles (e.g. ladders, tools, containers, boxes, etc.);
- clean and dry;
- well lit.

For the Customer's complete information, the residual risks remaining on the appliance are indicated below: such actions are deemed improper and therefore strictly forbidden.

Residual risk	Description of hazardous situation
Slipping or falling	The operator can slip due to water, any liquid or dirt on the floor
Burns/abrasions (e.g. heating elements, cold pan, cooling circuit plates and pipes)	The operator deliberately or unintentionally touches some components inside the appliance without using protective gloves.
Electrocution	Contact with live parts during maintenance operations carried out with the electrical panel powered
Tipping of loads	When handling the appliance or the packing containing it, using unsuitable lifting systems or accessories or with the unbalanced load
Sudden closure	The operator for normal appliance use could suddenly and deliberately close the door/s (if present, depending on the appliance type).
Harm to eyesight and skin	Exposure to UV-C rays for appliances with germicidal lamp, in case of door interlock fault.



#### **IMPORTANT**

If the appliance contains a UV-C emitter, do NOT stare at the light source.



#### **WARNING**

The UV-C LED is activated only when the door or sliding doors are closed. If the led is working and the door/s are open, turn off the appliance immediately and contact Customer Care Service.

### **A.9 Transport, handling and storage**

- Transport (i.e. transfer of the appliance from one place to another) and handling (i.e. transfer inside workplaces) must occur with the use of special and adequate means.
- Please refer to indications on packaging for stackability during transport, handling and storage.
- Do not stand under suspended loads during loading or unloading operations. Unauthorized personnel must not enter the work area.
- The weight of the appliance alone is not sufficient to keep it steady.
- For appliance handling, do not lift and anchor it to movable or weak parts such as: casings, electrical raceways, pneumatic parts, etc.
- Do not push or pull the appliance to move it, as it may tip over. Use proper tool to lift the appliance.
- Arrange a suitable area with flat floor for appliance unloading and storage operations.
- Appliance transport, handling, shifting and storage personnel must be adequately instructed and trained regarding the safely use of lifting systems and personal protection equipment suitable for the type of operation carried out.
- When removing the anchoring systems, make sure the stability of the appliance parts does not depend on the anchoring and, therefore, that this operation does not cause the load to fall off the vehicle. Before unloading the appliance components, make sure all the anchoring systems are removed.

### **A.10 Installation and assembly**

- The operations described must be carried out in compliance with the current safety regulations and provisions in force in the country of use.
- The appliance is not suitable for installation outdoors and/or in places exposed to atmospheric agents (rain, direct sunlight, etc.).
- You can stack up to a maximum of three appliances with sliding doors.
- In case of models with drop down door (even only one), you can stack a maximum of two appliances. Do not install them above 110 cm.

### **A.11 Electrical connection**

- The power supply system must be suitable for the rated current of the connected appliance; the connection must be carried out in compliance with the regulations and provisions in force in the country of use.
- The information regarding the appliance power supply voltage and frequency is given on the data plate.
- Install between the power cable and the electric line a differential thermal-magnetic switch suitable for the absorption specified on the data plate, with contact gap enabling complete disconnection in category III overvoltage conditions and complying with the regulations in force.
- After making the connection, with the appliance running check that the power supply does not fluctuate by  $\pm 10\%$  the rated voltage.
- If the power cable is damaged or too short, it must be replaced by the Customer Care Service or in any case by specialised personnel, in order to prevent any risk.
- The manufacturer declines any liability for damage or injury resulting from breach of the above rules or non-compliance with the electrical safety regulations in force in the country where the appliance is used.

### **A.12 Positioning**

- Install the appliances, taking all the safety precautions required for this type of operation, also respecting the relevant fire-prevention measures.
- The weight of the empty appliance is 36 kg.

### A.13 Appliance space limits

- Maintain a distance between the appliance and combustible walls of: at least 100 mm from the right side walls and 50 mm from the rear wall and left side wall.

### A.14 Appliance cleaning

- Do not touch the appliance with wet hands or feet or when barefoot.
- Put the appliance in safe conditions before starting any cleaning operation.
- Respect the requirements for the various routine and extraordinary maintenance operations. Non-compliance with the instructions can create risks for personnel.
- Do not spray water or use water jets, steam cleaner or high pressure cleaner.

### A.15 Preventive Maintenance

In order to ensure the safety and performance of your equipment, it is recommended that service is undertaken by Electrolux Professional authorised engineers every 12 months, in accordance with Electrolux Professional Service Manuals. Please contact your local Electrolux Professional Service Centre for further details.

### A.16 Parts and accessories

Use only original accessories and/or spare parts. Failure to use original accessories and/or spare parts will invalidate the original manufacturer warranty and may render the appliance not compliant with the safety standard.

### A.17 Precautions for use and maintenance

- Risks mainly of a mechanical, thermal and electrical nature exist in the appliance. Where possible the risks have been neutralised:
  - directly, by means of adequate design solutions.
  - indirectly by using guards, protection and safety devices.
- Any anomalous situations are signalled on the control panel display.
- During maintenance several risks remain, as these could not be eliminated, and must be neutralised by adopting specific measures and precautions.
- Do not carry out any checking, cleaning, repair or maintenance operations on moving parts. Workers must be informed of this prohibition by means of clearly visible signs.
- Make sure to periodically check correct operation of all the safety devices and the insulation of electrical cables, which must be replaced if damaged.

In case of a significant anomaly (e.g. short circuits, wires coming out of the terminal block, motor breakdowns, worn electrical cable sheathing, etc.) the operator for normal appliance use must:

- immediately deactivate the appliance.

Before carrying out any operation on the appliance, always consult the manual which gives the correct procedures and contains important information on safety.

### A.18 Appliance maintenance

- The inspection and maintenance intervals depend on the actual appliance operating conditions and ambient conditions (presence of dust, damp, etc.), therefore precise time intervals cannot be given. In any case, careful and periodical appliance maintenance is advisable in order to minimise service interruptions.
- It is advisable to stipulate a preventive and scheduled maintenance contract with the Customer Care Service.
- Put the appliance in safe conditions before starting any maintenance operation.
- To guarantee appliance efficiency and correct operation, periodical maintenance must be carried out according to the instructions given in the manual.

### A.19 Maintenance intervals

It is advisable to carry out the checks with the frequency given in the following table:

Maintenance, inspections, checks and cleaning	Frequency	Responsability
Ordinary cleaning <ul style="list-style-type: none"><li>• general cleaning of appliance and surrounding area</li></ul>	<ul style="list-style-type: none"><li>• Daily</li></ul>	<ul style="list-style-type: none"><li>• Operator</li></ul>
Mechanical protection devices <ul style="list-style-type: none"><li>• check their condition and for any deformation, loosening or removed parts</li></ul>	<ul style="list-style-type: none"><li>• Yearly</li></ul>	<ul style="list-style-type: none"><li>• Service</li></ul>
Control <ul style="list-style-type: none"><li>• check the mechanical parts, for cracks or deformations, tightening of screws: check the readability and condition of words, stickers and symbols and restore if necessary</li></ul>	<ul style="list-style-type: none"><li>• Yearly</li></ul>	<ul style="list-style-type: none"><li>• Service</li></ul>
Appliance structure <ul style="list-style-type: none"><li>• tightening of main bolts (screws, fixing systems, etc.) of appliance</li></ul>	<ul style="list-style-type: none"><li>• Yearly</li></ul>	<ul style="list-style-type: none"><li>• Service</li></ul>



Maintenance, inspections, checks and cleaning	Frequency	Responsibility
Safety signs <ul style="list-style-type: none"> <li>check the readability and condition of safety signs</li> </ul>	<ul style="list-style-type: none"> <li>Yearly</li> </ul>	<ul style="list-style-type: none"> <li>Service</li> </ul>
Electrical control panel <ul style="list-style-type: none"> <li>check the electrical components installed inside the electrical control panel. Check the wiring between the electrical panel and appliance parts</li> </ul>	<ul style="list-style-type: none"> <li>Yearly</li> </ul>	<ul style="list-style-type: none"> <li>Service</li> </ul>
Electrical connection cable <ul style="list-style-type: none"> <li>check the connection cable (replace if necessary)</li> </ul>	<ul style="list-style-type: none"> <li>Yearly</li> </ul>	<ul style="list-style-type: none"> <li>Service</li> </ul>
General appliance overhaul <ul style="list-style-type: none"> <li>check all components, electrical equipment, corrosion, pipes...</li> </ul>	Every 6 years <sup>1</sup>	<ul style="list-style-type: none"> <li>Service</li> </ul>

1. The appliance is designed and built for a duration of about 6 years. After this period of time (from commissioning) the appliance must undergo a general inspection and overhaul.

## A.20 Appliance disposal

- Make the appliance unusable by removing the power cable and any compartment closing devices, to prevent the possibility of someone becoming trapped inside.

## B WARRANTY TERMS AND EXCLUSIONS

If the purchase of this product includes warranty coverage, warranty is provided in line with local regulations and subject to the product being installed and used for the purposes as designed, and as described within the appropriate equipment documentation.

Warranty will be applicable where the customer has used only genuine spare parts and has performed maintenance in accordance with Electrolux Professional user and maintenance documentation made available in paper or electronic format.

Electrolux Professional strongly recommends using Electrolux Professional approved cleaning, rinse and descaling agents to obtain optimal results and maintain product efficiency over time.

The Electrolux Professional warranty does not cover:

- service trips cost to deliver and pick up the product;
- installation;
- training on how to use/operate;
- replacement (and/or supply) of wear and tear parts unless resulting from defects in materials or workmanship reported within one (1) week from the failure;
- correction of external wiring;
- correction of unauthorized repairs as well as any damages, failures and inefficiencies caused by and/or resulting from:
  - insufficient and/or abnormal capacity of the electrical systems (current/voltage/frequency, including spikes and/or outages);
  - inadequate or interrupted water supply, steam, air, gas (including impurities and/or other that does not comply with the technical requirements for each appliance);
  - plumbing parts, components or consumable cleaning products that are not approved by the manufacturer;

- customer's negligence, misuse, abuse and/or non-compliance with the use and care instructions detailed within the appropriate equipment documentation;
- improper or poor: installation, repair, maintenance (including tampering, modifications and repairs carried out by third parties not authorized) and modification of safety systems;
- Use of non-original components (e. g.: consumables, wear and tear, or spare parts);
- environment conditions provoking thermal (e. g. overheating/freezing) or chemical (e. g. corrosion/oxidation) stress;
- foreign objects placed in- or connected to- the product;
- accidents or force majeure;
- transportation and handling, including scratches, dents, chips, and/or other damage to the finish of the product, unless such damage results from defects in materials or workmanship and is reported within one (1) week of delivery unless otherwise agreed;
- product with original serial numbers that have been removed, altered or cannot be readily determined;
- replacement of light bulbs, filters or any consumable parts;
- any accessories and software not approved or specified by Electrolux Professional.

Warranty does not include scheduled maintenance activities (including the parts required for it) or the supply of cleaning agents unless specifically covered within any local agreement, subject to local terms and conditions.

Check on Electrolux Professional website the list of authorized customer care.

## C GENERAL INFORMATION

### C.1 Introduction

This manual contains information relevant to various appliances. The product images in this guide are only an example.

The drawings and diagrams given in the manual are not in scale. They supplement the written information with an outline, but are not intended to be a detailed representation of the appliance supplied.

The numerical values given on the appliance installation diagrams refer to measurements in millimeters and/or inches.

### C.2 Intended use and restrictions

The appliance must only be used for the preservation of packed hot food ready for delivery.

Any other use is deemed improper.

**NOTE!**

The manufacturer declines any liability for improper use of the product.

**C.3 Testing and inspection**

Our appliances have been designed and optimized, with laboratory testing, in order to obtain high performance and efficiency.

The appliance is shipped ready for use.

Passing of the tests (visual inspection - electrical test - functional test) is guaranteed and certified by the specific enclosures.

**C.4 Copyright**

This manual is intended solely for consultation by the operator and can only be given to third parties with the permission of Electrolux Professional company.

**C.5 Keeping the manual**

The manual must be carefully kept for the entire life of the appliance, until scrapping. The manual must stay with the appliance in case of transfer, sale, hire, granting of use or leasing.

**C.6 Recipients of the manual**

This manual is intended for:

- the carrier and handling personnel;
- installation and commissioning personnel;
- the employer of appliance users and the workplace manager;
- operators for normal appliance use;
- specialised personnel - Customer Care service (see service manual).

**C.7 Definitions**

Listed below are the definitions of the main terms used in the manual. It is advisable to read them carefully before use.

Operator	appliance installation, adjustment, use, maintenance, cleaning, repair and transport personnel.
Manufacturer	Electrolux Professional SpA or any other service centre authorised by Electrolux Professional SpA.
Operator for normal appliance use	an operator who has been informed and trained regarding the tasks and hazards involved in normal appliance use.
Customer Care service or specialised personnel	an operator instructed/trained by the Manufacturer and who, based on his professional and specific training, experience and knowledge of the accident-prevention regulations, is able to appraise the operations to be carried out on the appliance and recognise and prevent any risks. His professionalism covers the mechanical, electrotechnical and electronics fields etc.
Danger	source of possible injury or harm to health.
Hazardous situation	any situation where an operator is exposed to one or more hazards.
Risk	a combination of probabilities and risks of injury or harm to health in a hazardous situation.
Protection devices	safety measures consisting of the use of specific technical means (guards and safety devices) for protecting operators against risks.
Guard	an element of a appliance used in a specific way to provide protection by means of a physical barrier.

Safety device	a device (other than a guard) that eliminates or reduces the risk; it can be used alone or in combination with a guard.
Customer	the person who purchased the appliance and/or who manages and uses it (e. g. company, entrepreneur, firm).
Electrocution	an accidental discharge of electric current on a human body.

**C.8 Responsibility**

**The Manufacturer declines any liability for damage and malfunctioning caused by:**

- non-compliance with the instructions contained in this manual;
- repairs not carried out in a workmanlike fashion, and replacements with parts different from those specified in the spare parts catalogue (the fitting and use of non-original spare parts and accessories can negatively affect appliance operation and invalidates the original manufacturer warranty);
- operations carried out by non-specialised personnel;
- unauthorized modifications or operations;
- missing, lack or inadequate maintenance;
- improper appliance use;
- unforeseeable extraordinary events;
- use of the appliance by uninformed and / or untrained personnel;
- non-application of the current provisions in the country of use, concerning safety, hygiene and health in the workplace.

The Manufacturer declines any liability for damage caused by arbitrary modifications and conversions carried out by the user or the Customer.

The employer, workplace manager or service technician are responsible for identifying and choosing adequate and suitable personal protection equipment to be worn by operators, in compliance with regulations in force in the country of use.

The Manufacturer declines any liability for inaccuracies contained in the manual, if due to printing or translation errors.

Any supplements to the installation, use and maintenance manual the Customer receives from the Manufacturer will form an integral part of the manual and therefore must be kept together with it.

**C.9 Customer packaging checks**

- The forwarder is responsible for the goods during transport and delivery.
- Make a complaint to the forwarder in case of visible or hidden damage.
- Specify any damage or shortages on the dispatch note.
- The driver must sign the dispatch note: the forwarder can reject the claim if the dispatch note is not signed (the forwarder can provide the necessary form).
- For hidden damage or shortages becoming apparent only after unpacking, request the forwarder for inspection of the goods within and no later than 15 days after delivery.

**After packaging checks**

1. Remove the packaging.  
Take care when unpacking and handling of the appliance to not cause any shocks on itself.
2. Keep all the documentation contained in the packaging.

**C.10 Storage**

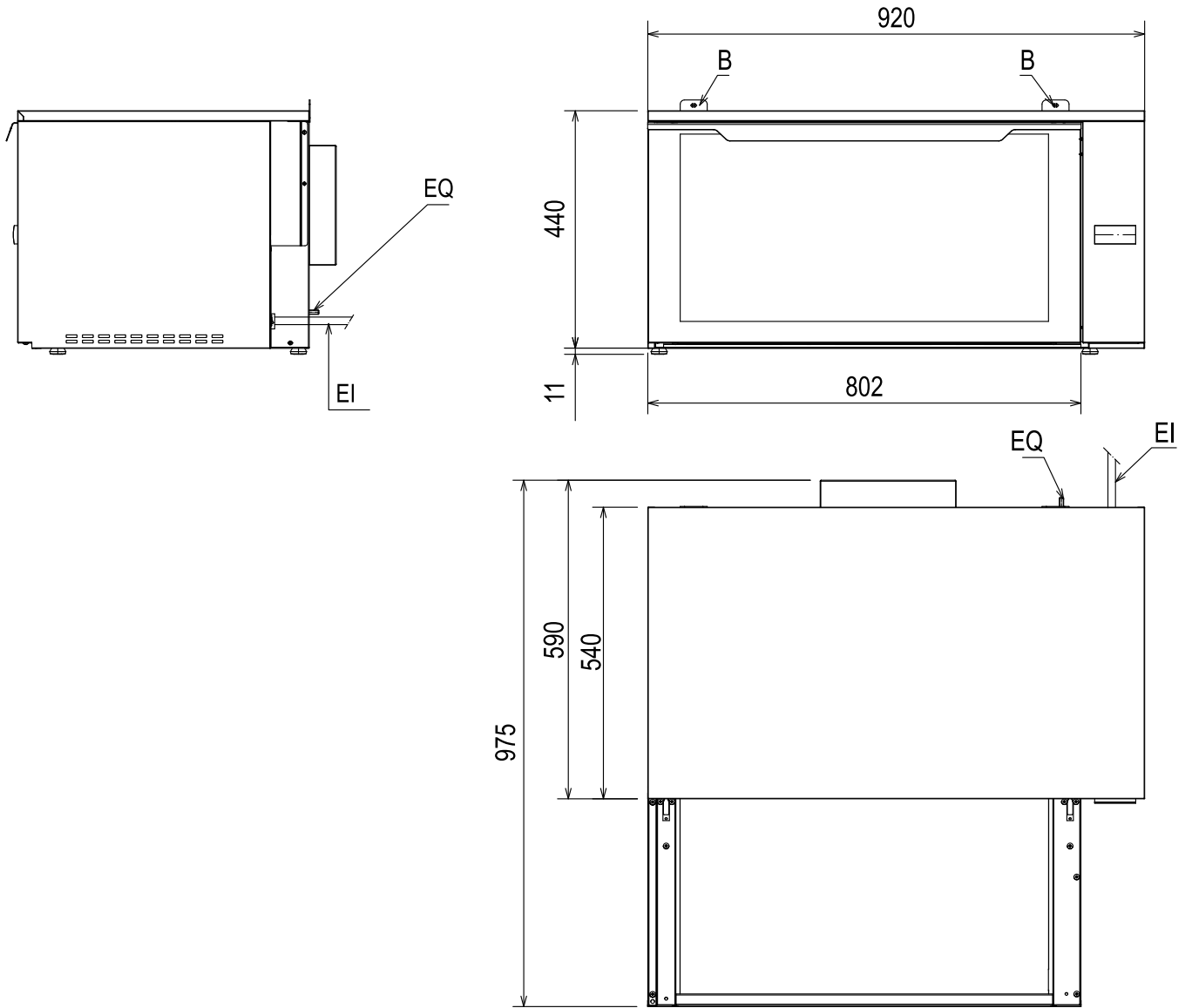
The appliance and/or its parts must be stored and protected from damp, in a non-aggressive place, free of vibrations and with room temperatures between 5°C and 50°C.

The place where the appliance is stored must:

- can take the appliance load,
- have a flat support surface to avoid deforming the appliance or damage to the support feet.

# D INSTALLATION DIAGRAMS

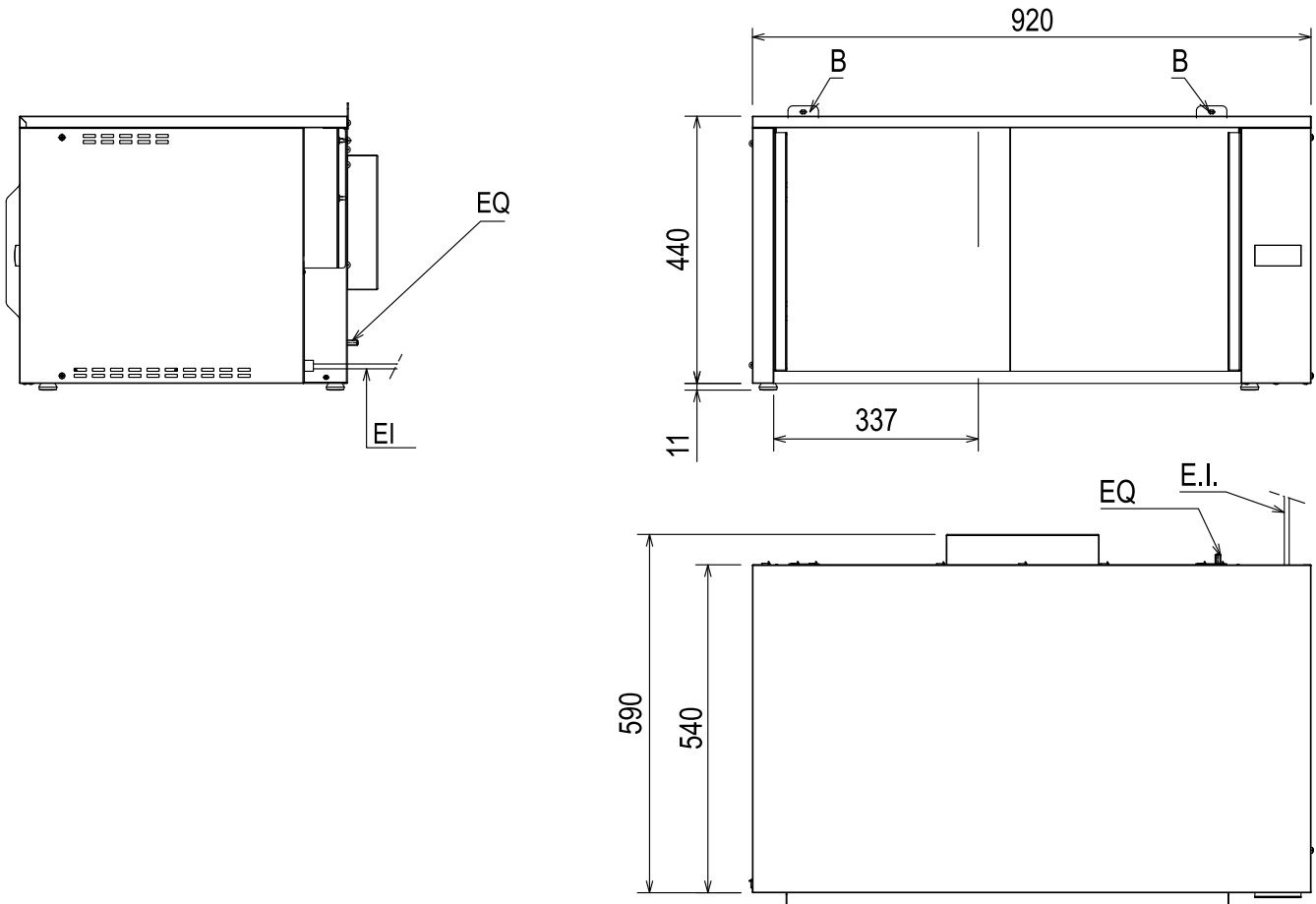
## Drop down doors



EI = Power supply  
EQ = Equipotential screw

B = Bolting holes

## Sliding doors



EI = Power supply  
EQ = Equipotential screw

B = Bolting holes

## E INSTALLATION AND ASSEMBLY

### E.1 Introduction



#### **WARNING**

Refer to “*Warning and safety information*”.

To ensure correct operation of the appliance and maintain safe conditions during use, carefully follow the instructions given in this chapter.

Check and, if necessary, level the appliance after positioning. Incorrect levelling can cause appliance malfunctioning.

### E.2 Customer's responsibilities

The tasks and works required of the Customer are:

- check the floor planarity on which the appliance is placed;
- arrange an earthed power socket of suitable capacity for the input specified on the data plate;



#### **NOTE!**

For information regarding the electrical connection, refer to “A.11 *Electrical connection*”.

### E.3 Disposal of packing

The packing must be disposed of in compliance with the current regulations in the country where the appliance is used. All the packing materials are environmentally friendly.

They can be safely kept, recycled, or burned in an appropriate waste incineration plant. Recyclable plastic parts are marked as follows:



PE

#### **Polyethylene**

- Outer wrapping
- Instructions bag



PP

#### **Polypropylene**

- Straps



PS

#### **Polystyrene foam**

- Corner protectors

The parts in wood and cardboard can be disposed of, respecting the current regulations in the country where the appliance is used.

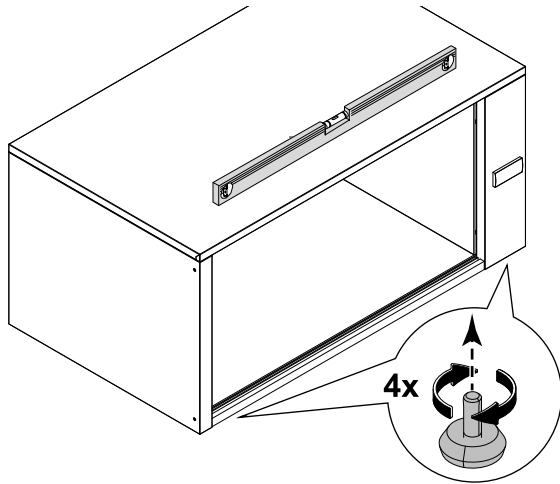
### E.4 Positioning



#### **CAUTION**

The appliance is not suitable for installation outdoors and/or in places exposed to atmospheric agents or high humidity.

Adjust the appliance by turning the special adjustable feet and making sure it is perfectly levelled horizontally (side to side and front to rear).



**CAUTION**

- Keep the side electrical box and ventilation openings in the appliance casing free of obstructions.
- Never cover the fan air conveyor, even temporarily, as this can compromise appliance proper operation.

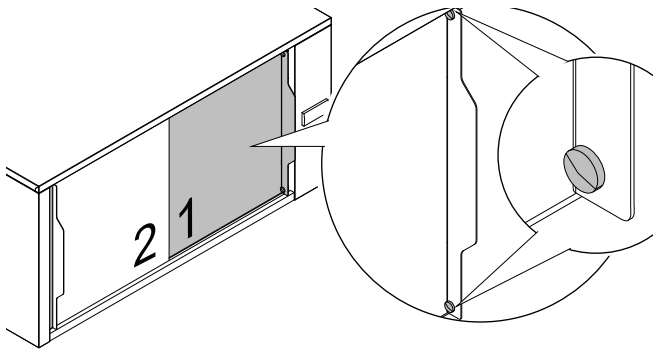
**E.5 Sliding doors installation**



**IMPORTANT**

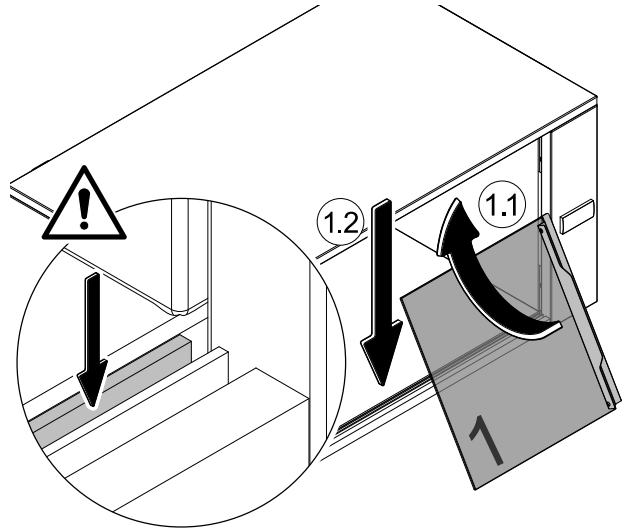
In the case of models with sliding doors, the doors have a specific direction (left and right) and are not interchangeable.

1. Right door, with two extra rubber bumpers
2. Left door

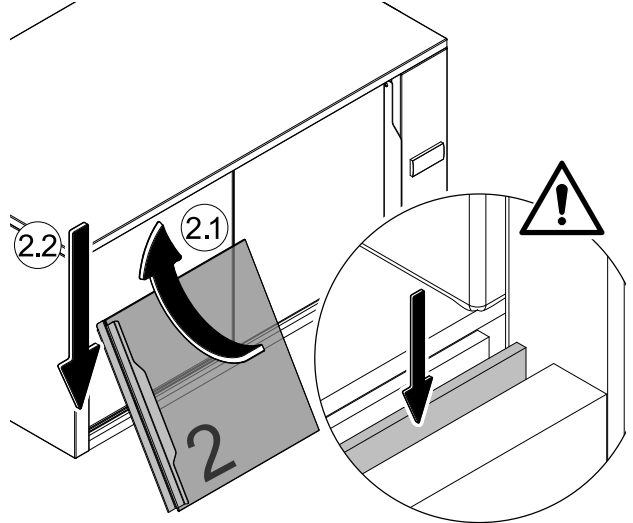


Make sure to install the doors in the correct order by paying attention to their positioning in the guides.

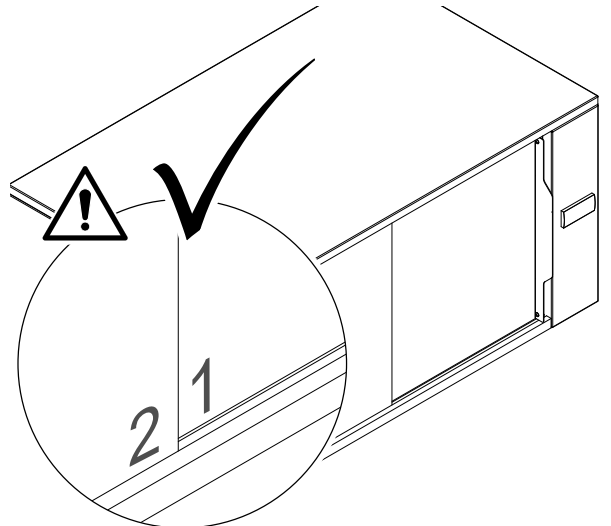
1. Place the right door in the most internal rail.



2. Place the left door in the most external rail.



3. Visually check that the doors are properly mounted.



**E.6 Electrical connection**

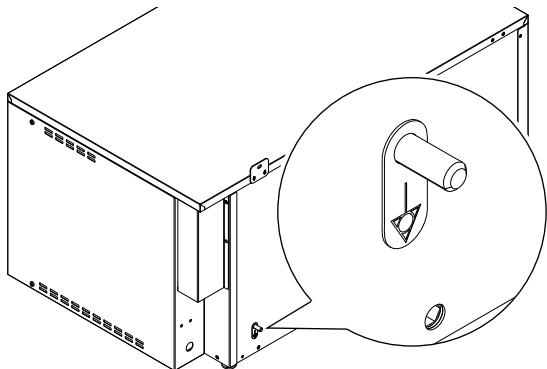


**WARNING**

Refer to paragraph A.11 *Electrical connection* in the chapter A *Warning and safety information*.

The appliance can be supplied with or without a plug. In case of cable without plug, connect the terminals to the power supply.

The appliance must also be included in an equipotential system, whose connection is made by means of equipotential screw indicated by the symbol  $\nabla$ .



The equipotential wire must have a section of at least 10 mm<sup>2</sup>.

### E.7 Electrical connection for appliances with plug

- To connect to the power supply, insert the power cable plug in the corresponding mains socket, first making sure:
  - the socket has an efficient earth contact and the mains voltage and frequency match that given on the dataplate. In case of any doubts regarding the efficiency of the earth connection have the system checked by specialised personnel.
  - the system power supply is arranged and able to take the actual current absorption and that it is correctly executed according to the regulations in force in the country of use.
- The plug must be accessible after positioning the appliance in the place of installation.
- The plug must be in a position always visible to the operator performing the intervention during maintenance operations.

### E.8 Electrical connection for appliances with cable without plug

- The connection point has an efficient earth contact and the mains voltage and frequency match that given on the data plate. In case of doubts regarding the efficiency of the earth wire, have the system checked by specialised personnel.
- The appliance must be permanently connected to the power supply, respecting the polarities:
  - brown/black/gray: phase
  - yellow/green: earth
  - blue: neutral
- The differential thermal-magnetic switch must be lockable in the open position in case of maintenance.

### E.9 Installation of multiple appliances

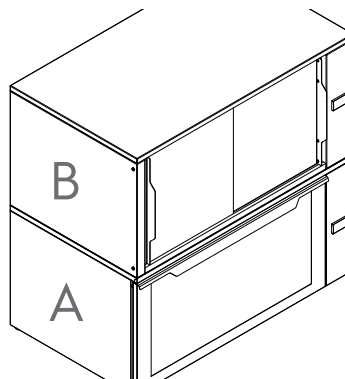


#### WARNING

For maximum installation height and stackability refer to paragraph A.10 *Installation and assembly*.

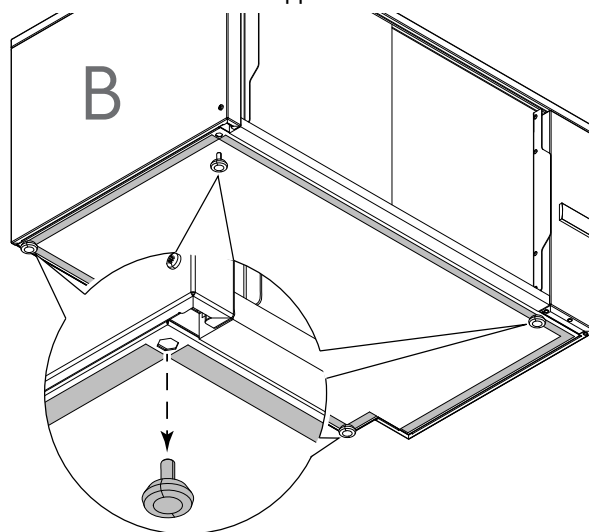
In case of stacked appliances, plug at least one into the main power socket.

- A. Lower appliance
- B. Upper appliance



To install multiple appliances on top of each other, follow these steps:

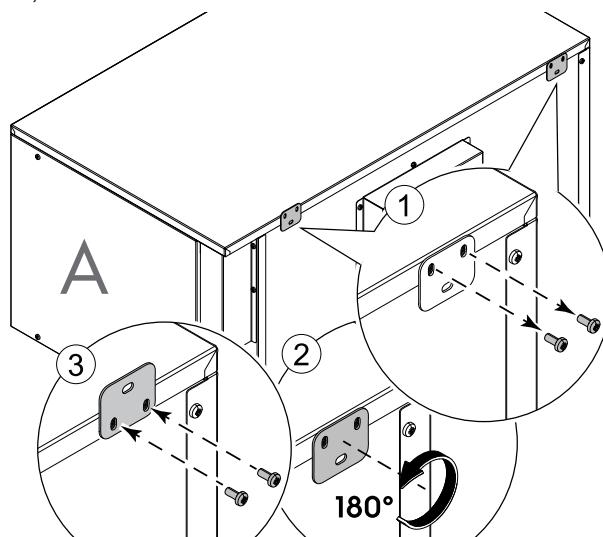
1. Remove the feet from the appliance "B".



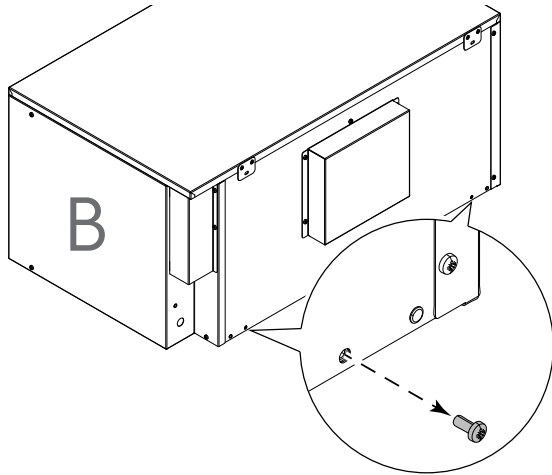
#### IMPORTANT

Make sure the gasket is present so you don't damage the top surface of the appliance "A".

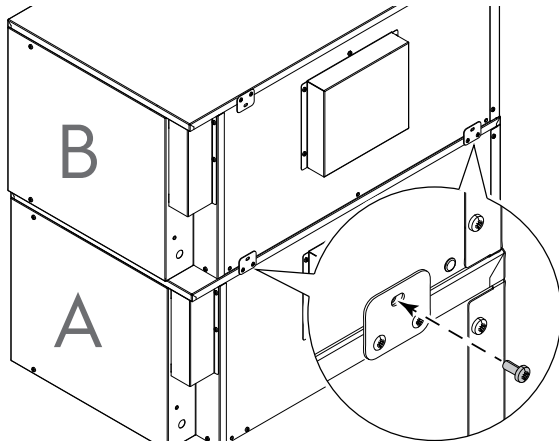
2. Remove the screws from the rear supports of appliance "A", rotate them 180° and reinsert the screws to fix them.



- Remove the two rear screws at the bottom of the appliance "B".



- Place appliance "B" on top of appliance "A" and secure the rear supports with the two screws you just removed.

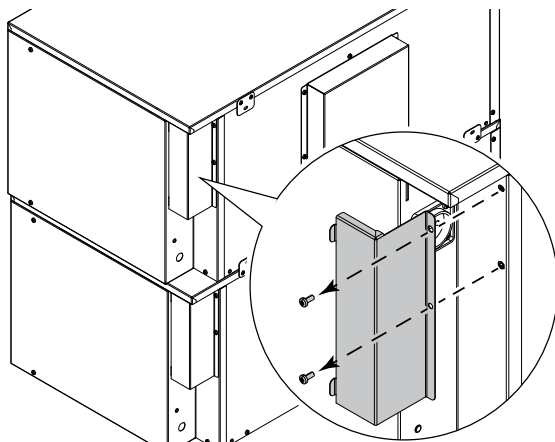


**IMPORTANT**

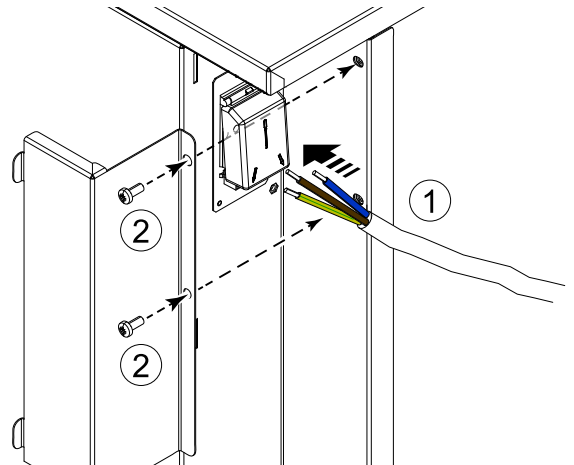
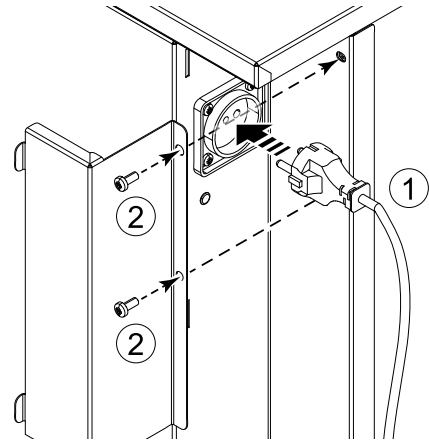
It is recommended to secure to the wall all stacked appliances with the accessory kit to avoid any risk of tipping over. Refer to the specific instructions supplied with the accessory for the installation procedure.

**If necessary, you can connect the plug to the power socket or the terminals to the terminal block mounted on one of the stacked appliances.**

- Remove the screws from the socket protective cover.



- Insert the plug or open the terminal block and insert the terminals and reassemble the protective cover with the screws.



**IMPORTANT**

Use the rear power socket only to plug in other equal appliances.

## F NORMAL APPLIANCE USE

### F.1 Characteristics of personnel enabled to operate on the appliance

The Customer must make sure the personnel for normal appliance use are adequately trained and skilled in their duties.

The operator must:

- read and understand the manual;
- receive adequate training and instruction for their duties in order to operate safely;

- receive specific training for correct appliance use.



### IMPORTANT

The Customer must make sure his personnel have understood the instructions received and in particular those regarding work hygiene and safety in use of the appliance.

## F.2 Basic requirements for appliance use

- Knowledge of the technology and specific experience in operating the appliance.

## G PRODUCT DESCRIPTION

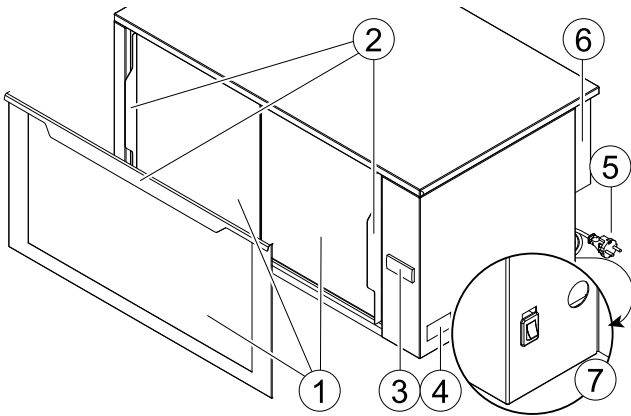
### G.1 Appliance description

This appliance guarantees the preservation in sterile conditions of hot and packaged dishes for a period of 3 hours starting from cooking.

The storage cell, with door/s closed, is sterilized by a flow of UV-C rays generated by the LED strip positioned in the center of the cell ceiling.

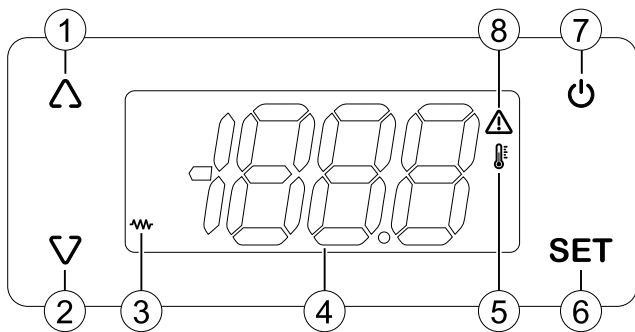
The handles are treated with a photocatalytic coating with an antibacterial action.

### G.2 Appliance overview



1. Sliding doors / drop down door
2. Handle/s
3. Display
4. Data plate
5. Plug (if present)
6. Mains socket
7. UV-C led on-off button

### G.3 Control panel description



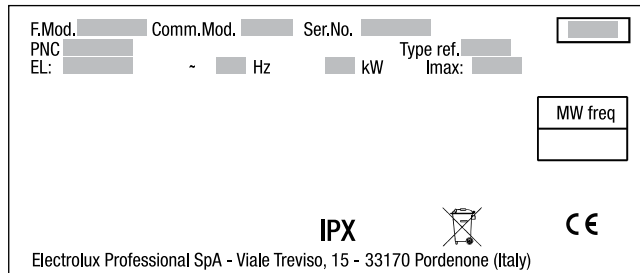
- Adequate general basic education and technical knowledge for reading and understanding the contents of the manual, including correct interpretation of the drawings, signs and pictograms.
- Sufficient technical knowledge for safely performing his duties as specified in the manual.
- Knowledge of the regulations on work hygiene and safety.

1. "UP" button: increase value
2. "DOWN" button: decrease value
3. Heating icon: lights up until the setting temperature is reached
4. Digital display: shows the temperature or heat setting
5. Temperature icon: lights up when the display shows the temperature
6. Setting button: to change appliance settings
7. On / Off button
8. Alarm icon: lights up in the presence of an alarm

### G.4 Appliance and manufacturer's identification data

The data plate gives the product identification and technical data.

An example of the marking or data plate on the appliance is given below:



The meaning of the various information given on it is listed below:

F.Mod.	factory description of product
Comm.Mod.	commercial description
PNC	production number code
Ser.No.	serial number
Type ref.	certification group of the appliance
V	power supply voltage
Hz	power supply frequency
kW	power input
A	absorbed current
CE	CE marking
	WEEE symbol
IPX3	dust and water protection rating

## H OPERATING

### H.1 Before first use

Carefully remove the protective film from the outer panels without tearing it, to avoid leaving traces of glue.

Carefully clean any industrial greases from the internal surfaces of the cavity.



## H.2 Daily use



NOTE!

### For sliding doors models

Open and close the doors exclusively using the special handles: when the appliance is in operation for more than an hour at the maximum temperature, prolonged contact of the bare hand with the glass surface of the door could be unpleasant and be perceived as a scalding although the temperature never exceeds the limits required by current legislation.

### To switch the appliance on

- Press and hold down the button for more than 3 seconds.
- Once the appliance turns on, the icon appears on the display, indicating that the heating element is on.
- When the appliance reaches the set point, the display shows the set temperature and the icon turns off.
- When the icon is present, the display is showing the detected temperature in the cavity.

### Set internal temperature

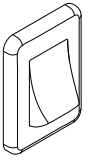
1. Press the button **SET**.
2. Press it again to enter the edit mode.  
You can set the temperature of the appliance from a minimum of 60°C to a maximum of 85°C.
3. Set the required temperature by pressing the and buttons.
4. Press the button **SET** to confirm.

### To switch the appliance off

- Press and hold down the button until the message **OFF** appears on the display.

### To turn the UV-C led off

- If necessary, the UV-C led can be turned off by pressing the UV-C led on-off button. The appliance will continue to operate at the set temperature.
- Only in the event that the UV-C led is off, you can also place unpackaged food in the appliance, i.e. in its container, but never placed directly in contact with the bottom or shelves.



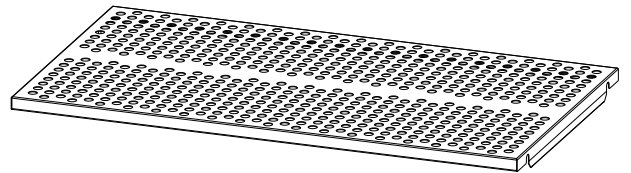
## H.3 Place the packages

Evenly distribute the packages inside the appliance, taking care to:

- place packages leaving a gap from the rear fan to ensure air circulation and thus even heat distribution.
- leave a space of at least 40 mm from the top surface, so that the packages are not in contact with the LEDs. Otherwise, the LEDs could malfunction.

### Shelf

- It is possible to mount a shelf (available as an optional accessory), to improve loading and placement of food boxes and guarantee better airflow distribution.



- Two different shelves are available, one for sliding doors model and another for drop down door model: the shelves differ because of their length.
- You can place the shelf also at the bottom.
- Refer to the specific instructions supplied with the accessory for the installation procedure.



NOTE!

### For drop down door models only

You can load maximum 2 kg on the door when open and only temporarily to load the foodstuff into the inner cell.

## I APPLIANCE CLEANING AND MAINTENANCE

### I.1 Care information

Care operations have to be carried out by the owner and/or user of the appliance.



#### IMPORTANT

Problems resulting from poor or lack of care as hereinafter described will not be covered by the warranty.

### I.2 Cleaning introduction

In order to reduce the environmental impact of pollutants it is advisable to clean the appliance (externally and, where necessary, internally) with products that are more than 90% biodegradable.



#### CAUTION

- Do not use solvent-based detergents (e. g. trichloro-ethylene) or abrasive powders for cleaning.
- Do not use steel brushes, steel wool, copper cloths, sand-based or similar products for cleaning.
- Do not use organic solvent substances or essential oils.



#### WARNING

When using chemicals, comply with the safety notes and dosage recommendations printed on the packaging. Refer to the chapter *A.2 Personal protection equipment* for handling chemical products.

### I.3 Daily cleaning

Cleaning must be carried out after every day of use.

Use a dry soft or microfiber cloth to clean the door/s and all interior surfaces of dust.



#### IMPORTANT

In case the food comes out of the package, remove it immediately with a damp cloth and a mild detergent.

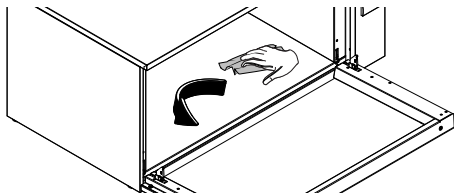


#### NOTE!

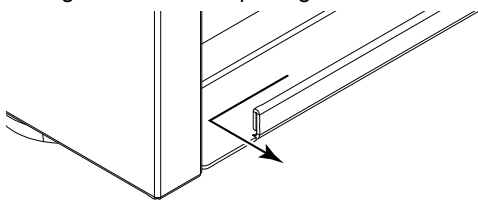
##### For Drop down door models

In case of crumbs or food residues on the bottom:

1. Remove them by collecting them on the front



2. Sliding them to the sides and expelling them through the two side openings.



The use of a brush will make the operation even easier.

Use warm water, a soft cloth or sponge and a mild detergent to clean external surfaces and a neutral soap for handle/s.



#### CAUTION

- Metal objects can spoil and damage the handle's surface, removing the photocatalytic coating and affecting the antibacterial efficiency.
- Do not let handle (s) to come into prolonged contact with acids, spices, salts, etc. Acid fumes that accumulate during cleaning with aggressive detergent can damage the photocatalytic coating and so compromise the antibacterial action.

Always dry all interior and exterior surfaces carefully after cleaning.



#### IMPORTANT

##### Drop down models

Never spray water or detergents on the door hinges, nor leave them in contact with water, as they may be damaged.

### I.4 Periodical cleaning

A more thorough cleaning is advisable about once a week.

Clean all surfaces, both exterior and especially interior with a damp cloth and a mild detergent.

#### Sliding doors and guides

- Remove the doors as described in chapter E.5 *Sliding doors installation*.
- Clean and sanitize the doors on both sides using a damp cloth.
- Thoroughly clean the door guides, especially the bottom one, with lukewarm water and mild detergent using a soft plastic-bristled brush.



#### CAUTION

Do not use oil or oil-based cleaners to clean guides.

- Reassemble doors once dry.



#### IMPORTANT

Do not spray jets of water inside the appliance and make sure it is completely dry after cleaning.

### I.5 Periods of non-use

If the appliance is not going to be used for some time, take the following precautions:

- disconnect the power supply or remove the plug from the power socket, if present;
- clean the cabinet, going over all the stainless steel surfaces vigorously with a rag moistened with paraffin oil to create a protective film;
- leave the door or drawers, if present, open so that air can circulate inside, preventing the formation of unpleasant odours;
- periodically air the premises.

## J TROUBLESHOOTING

### J.1 Introduction

Certain faults may occur during normal use of the appliance. In some cases, faults can be eliminated easily and quickly by following the indication below.

The display, if present, always shows a warning message or alarm describing the occurring fault.



Warnings icon

**If the fault persists, contact the Customer Care Service:**

1. Disconnect the appliance from the main power supply;

2. Switch off the safety circuit breaker ahead of the appliance;

3. Remember to specify:

- the type of fault
- the appliance PNC (product number code)
- the Ser. No. (appliance serial number).



#### IMPORTANT

The appliance PNC and serial number are essential for identifying the type of appliance and date of manufacture.

## J.2 Troubleshooting

Anomaly	Description	Possible causes	Actions
E1	Probe failure	<ul style="list-style-type: none"> <li>Connector unplugged</li> <li>Probe and/or probe wire damaged</li> </ul>	Contact the Customer Care Service to check the probe type, the probe wiring and replace if necessary.
AH1	<ul style="list-style-type: none"> <li>High temperature alarm</li> <li>The probe detects a temperature above 90°C [194°F] for more than 30 minutes</li> </ul>	<ul style="list-style-type: none"> <li>Food too hot in the cavity</li> <li>Probe calibration issue</li> <li>Probe or digital controller issue</li> </ul>	Wait for the temperature to drop below 90°C [194°F]. If the problem persists contact Customer Care Service.
AL1	<ul style="list-style-type: none"> <li>Low temperature alarm</li> <li>The probe detects a temperature below 60°C [140°F] for more than 30 minutes</li> </ul>	<ul style="list-style-type: none"> <li>Door/s not properly closed</li> <li>Probe calibration issue</li> <li>Probe or digital controller issue</li> </ul>	Wait for the temperature to reach 60°C [140°F]. If the problem persists contact Customer Care Service.
The appliance does not switch on	Pressing ON/OFF button the appliance does not react	<ul style="list-style-type: none"> <li>The Switch ON button is not kept pressed long enough</li> <li>External supply energy missing or interrupted</li> <li>Appliance internal breakage</li> </ul>	<ul style="list-style-type: none"> <li>Press and keep the Switch ON button pressed for at least 3 seconds.</li> <li>Carefully check that the appliance cable is intact and that the plug is inserted correctly into the power socket (the power socket has to be functioning).</li> </ul> <p>If the problem persists contact Customer Care Service.</p>
Door(s) not closing or difficult to slide	Sliding doors model	<ul style="list-style-type: none"> <li>Dirt clogging the runners</li> <li>Wrong doors assembly</li> </ul>	Refer to chapter I <i>Appliance cleaning and maintenance</i> or to chapter E.5 <i>Sliding doors installation</i> .
The door does not close completely	Drop down door model	Mechanical interference	Check if foreign objects either interfering or preventing the door to seal the cavity and remove. If the problem persists contact Customer Care Service.
The door re-opens after trying to close it	Drop down door model	Mechanical issue	Contact Customer Care Service.
Door glass broken or fractured		External causes	Contact Customer Care Service. Disconnect the appliance until the service intervention.
Door handle detaching or broken		External causes	Contact Customer Care Service. Disconnect the appliance until the service intervention.
The appliance does not heat up	The cavity remains at room temperature or does not reach the set temperature	<ul style="list-style-type: none"> <li>Door/s not properly closed</li> <li>Temperature not correctly set</li> <li>Probe calibration issue</li> <li>Probe or digital controller issue</li> <li>Heating issue</li> </ul>	<ul style="list-style-type: none"> <li>Close the door/s correctly and wait at least 5 minutes checking the temperature increase.</li> <li>Check the temperature setting on the controller.</li> </ul> <p>If the problem persists contact Customer Care Service.</p>
The food is too hot	The appliance heats the food at a temperature higher than the set	<ul style="list-style-type: none"> <li>Temperature not correctly set</li> <li>Probe calibration issue</li> <li>Probe or digital controller issue</li> </ul>	Keep the door/s open for 1 minute then check the set temperature again. If the problem persists contact Customer Care Service.
Noise is too loud		<ul style="list-style-type: none"> <li>Foreign elements stuck in the fan casing</li> <li>Fan issue</li> </ul>	Check that there are no visible elements inserted in the casing, in this case remove them: do not use tools which can enter the slots. If the problem persists contact Customer Care Service.
Fan not working		<ul style="list-style-type: none"> <li>Foreign elements obstruct the fan</li> <li>Appliance internal issue</li> </ul>	Check that there are no visible elements inserted in the casing, in this case remove them: do not use tools which can enter the slots. If the problem persists contact Customer Care Service.

Anomaly	Description	Possible causes	Actions
Lighting low or missing		<ul style="list-style-type: none"> <li>Wrong door(s) assembly (sliding doors model only)</li> <li>Appliance internal issue</li> </ul>	Refer to the chapter E.5 <i>Sliding doors installation</i> . If the problem persists contact Customer Care Service.
Unpleasant odors during use		Dirt inside the appliance	Carry out a thorough cleaning. If the problem persists contact Customer Care Service.
Uneven cavity heating		<ul style="list-style-type: none"> <li>Uneven food load into the cavity</li> <li>Fan casing obstructed</li> </ul>	Evenly distribute the load inside the appliance.
The shelf (if present) does not stay in place		Mechanical issue	Check the cavity support pins are correctly inserted in the shelf slots. If the problem persists contact Customer Care Service.

## K APPLIANCE DISPOSAL



### WARNING

Refer to “*Warning and safety information*”.

#### K.1 Procedure regarding appliance disposal

At the end of the product's life-cycle, make sure it is not dispersed in the environment.

Different regulations are in force in the various countries, therefore comply with the provisions of the laws and competent bodies in the country where appliance disposal takes place.

The appliance's parts must be disposed of in a differentiated way, according to their different characteristics (e. g. metals, oils, greases, plastic, rubber, etc.).

Before disposing of the appliance, make sure to carefully check its physical condition, and in particular any parts of the structure that can give or break during dismantling.

Depending on the model, the doors must be removed before dismantling the appliance.



The symbol on the product indicates that this product should not be treated as domestic waste, but must be correctly disposed of in order to prevent any negative consequences for the environment and human health. For further information on the recycling of this product, contact the local dealer or agent, the Customer Care service or the local body responsible for waste disposal.



#### NOTE!

When dismantling the appliance, any marking, this manual and other documents concerning the appliance must be destroyed.



CE