

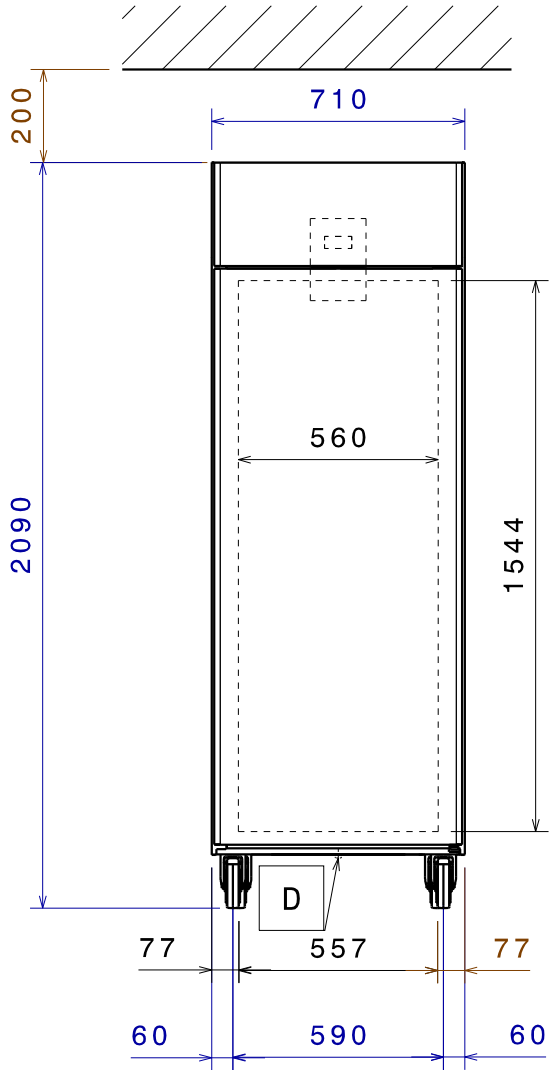
Thawing cabinet



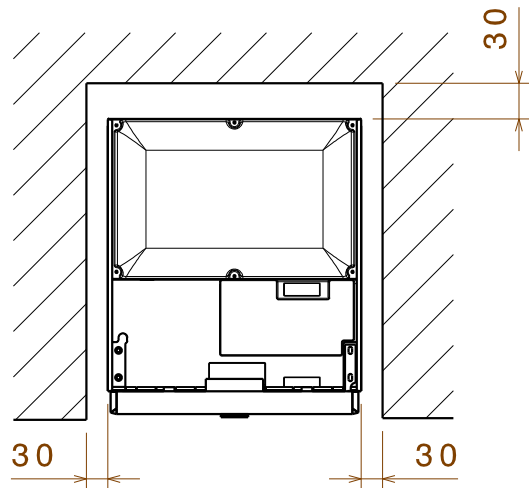
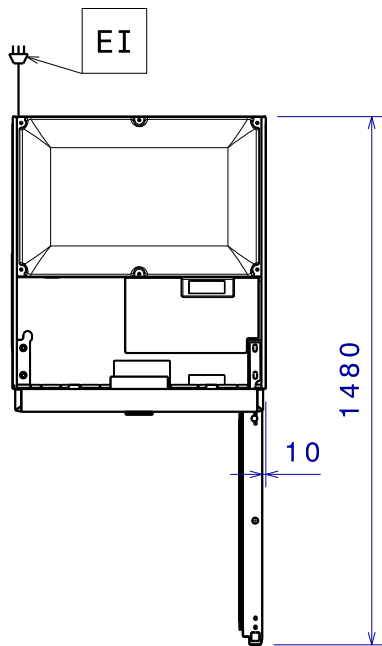
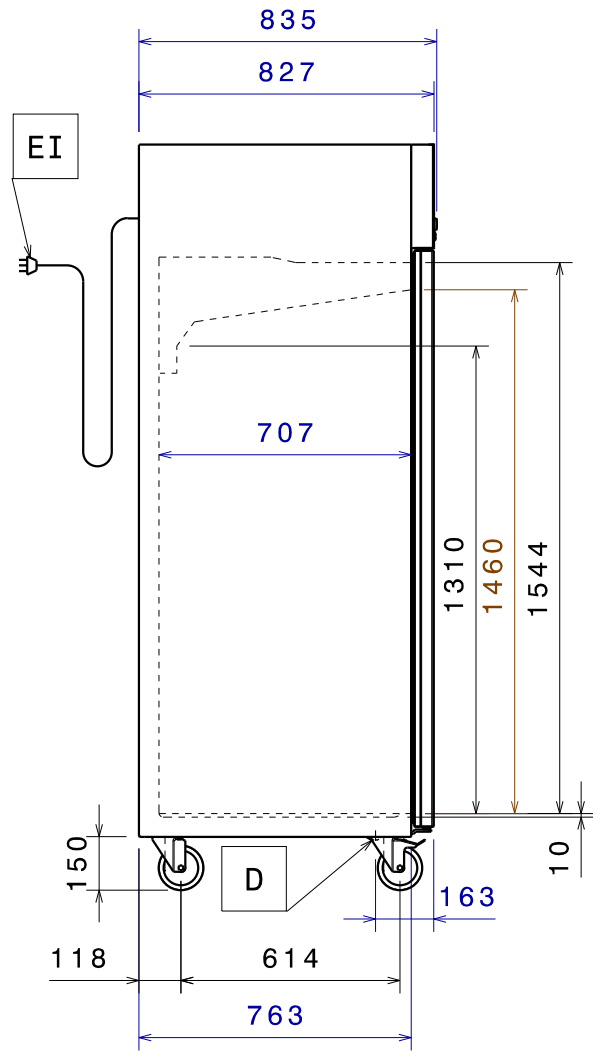
EN Installation and operating manual *



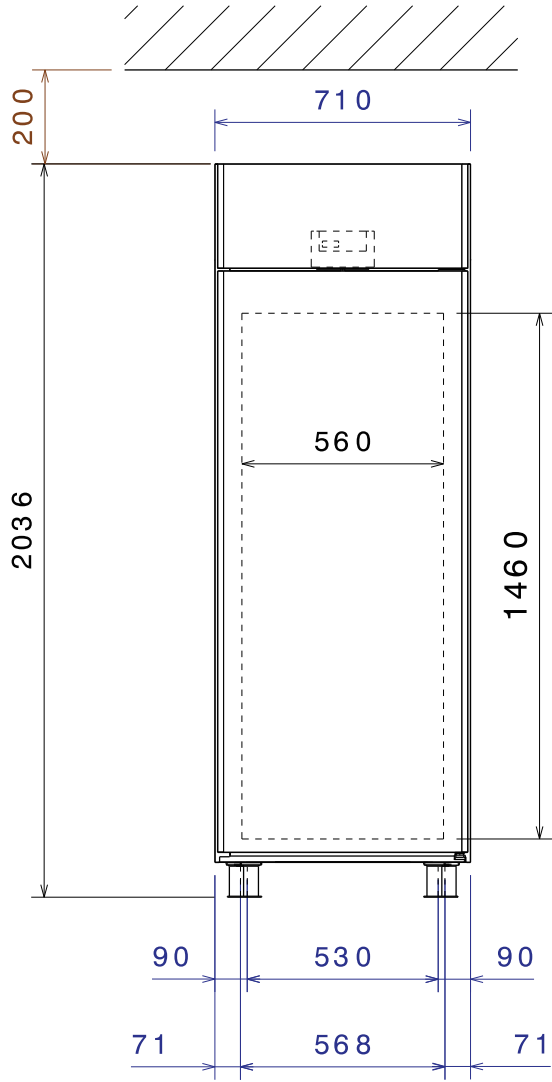
Installation diagram



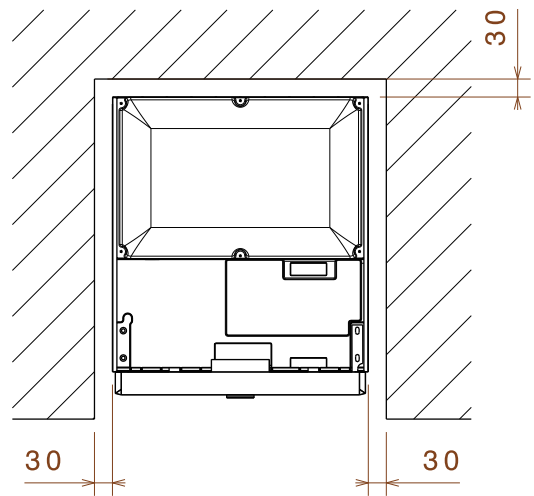
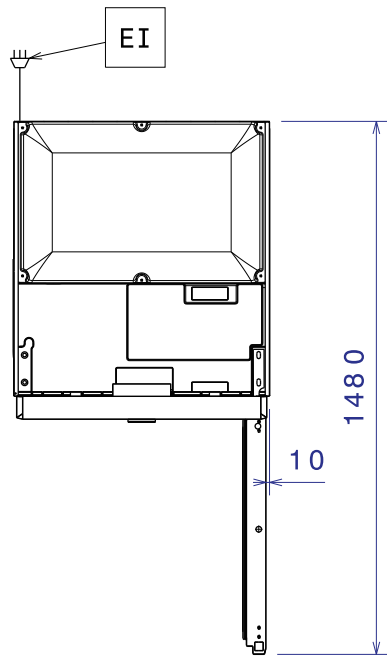
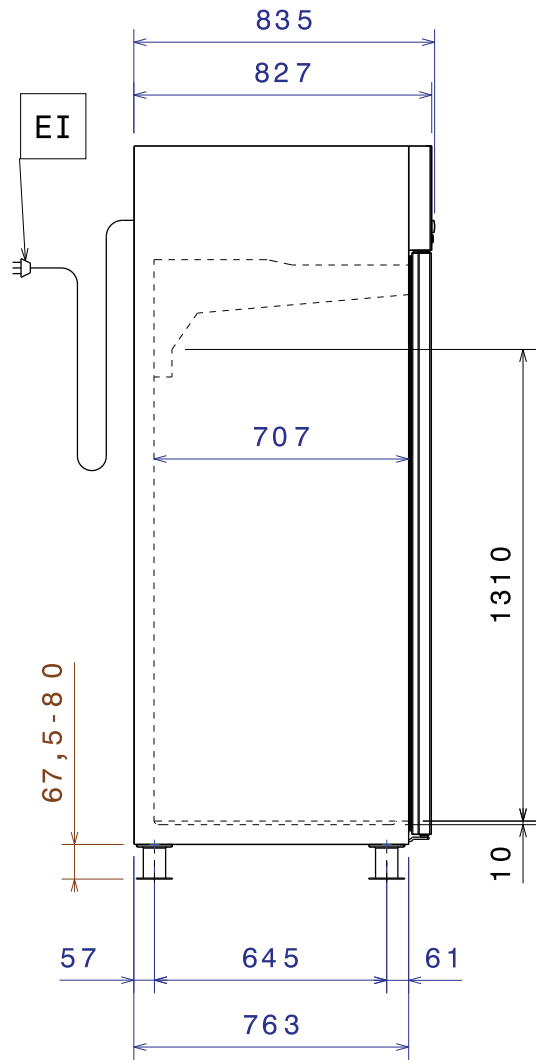
Model 1 door



Installation diagram



Model 1 door Marine



El = Power cable length

Foreword



Read the following instructions, including the warranty terms before installing and using the appliance.

Visit our website www.electroluxprofessional.com and open the **Support** section to:



Register your product



Get hints & tips of your product, service and repair information

The installation, use and maintenance manual (hereinafter Manual) provides the user with information necessary for correct and safe use of the appliance.

The following must not be considered a long and exacting list of warnings, but rather a set of instructions suitable for improving appliance performance in every respect and, above all, preventing injury to persons and animals and damage to property due to improper operating procedures.

All persons involved in appliance transport, installation, commissioning, use and maintenance, repair and disassembly must consult and carefully read this manual before carrying out the various operations, in order to avoid wrong and improper actions that could compromise the appliance's integrity or endanger people. Make sure to periodically inform the user regarding the safety regulations. It is also important to instruct and update personnel authorised to operate on the appliance, regarding its use and maintenance.

The manual must be available to operators and carefully kept in the place where the appliance is used, so that it is always at hand for consultation in case of doubts or whenever required.

If, after reading this manual, there are still doubts regarding appliance use, do not hesitate to contact the Manufacturer or the authorised Service Centre to receive prompt and precise assistance for better operation and maximum efficiency of the appliance. During all stages of appliance use, always respect the current regulations on safety, work hygiene and environmental protection. It is the user's responsibility to make sure the appliance is started and operated only in optimum conditions of safety for people, animals and property.



IMPORTANT

- The manufacturer declines any liability for operations carried out on the appliance without respecting the instructions given in this manual.
- The manufacturer reserves the right to modify the appliances presented in this publication without notice.
- No part of this manual may be reproduced.
- This manual is available in digital format by:
 - contacting the dealer or reference customer care;
 - downloading the latest and up to date manual on the web site www.electroluxprofessional.com;
- The manual must always be kept in an easily accessed place near the appliance. Appliance operators and maintenance personnel must be able to easily find and consult it at any time.

Contents

Foreword	5
A Warning and Safety Information	7
A.1 General information	7
A.2 Personal protection equipment	7
A.3 General safety	8
A.4 General safety rules	8
A.5 Technical data	9
A.6 Transport, handling and storage	10
A.7 Installation and assembly	10
A.8 Product loading and unloading	11
A.9 Maximum load	11
A.10 Machine cleaning and maintenance	11
A.11 Appliance disposal	12
B WARRANTY	13
B.1 Warranty terms and exclusions	13
C Machine and manufacturer's identification data	13
D General information	14
D.1 Introduction	14
D.2 Intended use and restrictions	14
D.3 Testing and inspection	14
D.4 Copyright	14
D.5 Keeping the manual	14
D.6 Recipients of the manual	14
D.7 Definitions	14
D.8 Responsibility	14
E Transport, handling and storage	15
E.1 Handling	15
E.1.1 Procedures for handling operations	15
E.1.2 Placing the load	15
E.2 Unpacking	15
E.2.1 Disposal of packing	15
E.3 Storage	15
F Technical data	15
F.1 Materials and fluids used	15
F.2 Main technical characteristics	16
G Installation and assembly	16
G.1 Introduction	16
G.2 Customer's responsibilities	16
G.3 Positioning	16
G.4 Plumbing connection (only if present)	16
G.5 Reversing opening of fully insulated doors	16
H Normal machine use	17
H.1 Characteristics of personnel enabled to operate on the appliance	17
H.2 Basic requirements for appliance use	17
I OPERATING	18
I.1 Description of control panel	18
I.2 Description of icons and leds	18
I.3 Switching the appliance on and activation of thawing cycles	18
I.4 Automatic defrost	18
I.5 Loading the product	18
I.5.1 Dividing tray for reduced charge	19
J Machine cleaning and maintenance	19
J.1 Ordinary maintenance	19
J.1.1 Care information	19
J.1.2 Cleaning the cabinet and accessories	19
J.1.3 Compartment cleaning	19
J.1.4 Precautions in case of long idle periods	20
J.1.5 Repair and extraordinary maintenance	20
K Machine disposal	20
K.1 Procedure regarding appliance disposal	20
L troubleshooting	21
L.1 Troubleshooting	21

A WARNING AND SAFETY INFORMATION

A.1 General information

To ensure safe use of the machine and a proper understanding of the manual it is necessary to be familiar with the terms and typographical conventions used in the documentation. The following symbols are used in the manual to indicate and identify the various types of hazards:



WARNING

Danger for the health and safety of operators.



WARNING

Danger of electrocution - dangerous voltage.



CAUTION

Risk of damage to the appliance or the product.



WARNING

Risk of fire / Flammable materials



IMPORTANT

Important instructions or information on the product



Read the instructions before using the appliance



Clarifications and explanations

- Only specialised personnel are authorised to operate on the machine.
- This appliance can be used by children aged from 8 years and above and persons with reduced physical, sensory or mental capabilities or lack of experience and knowledge if they have been given supervision or instruction concerning use of the appliance in a safe way and understand the hazards involved.
 - Do not let children play with the appliance.
 - Keep all packaging and detergents away from children.
 - Cleaning and user maintenance shall not be made by children without supervision.
- Do not store explosive substances, such as pressurized containers with flammable propellant, in this appliance
- Do not remove, tamper with or make the machine marking illegible.
- When scrapping the machine, the marking must be destroyed.
- Save these instructions carefully for further consultation by the various operators.

A.2 Personal protection equipment

Summary table of the Personal Protection Equipment (PPE) to be used during the various stages of the appliance's service life.

Stage	Protective garments 	Safety footwear 	Gloves 	Glasses 	Safety helmet 
Transport	—	●	○	—	○
Handling	—	●	○	—	—
Unpacking	—	●	○	—	—
Installation	—	●	● ¹	—	—
Normal use	●	●	● ²	—	—
Adjustments	○	●	—	—	—
Routine cleaning	○	●	● ¹⁻³	○	—
Extraordinary cleaning	○	●	● ¹⁻³	○	—
Maintenance	○	●	○	—	—
Dismantling	○	●	○	○	—
Scrapping	○	●	○	○	—

Stage	Protective garments	Safety footwear	Gloves	Glasses	Safety helmet
					
Key:					
●	PPE REQUIRED				
○	PPE AVAILABLE OR TO BE USED IF NECESSARY				
—	PPE NOT REQUIRED				

- During these operations, gloves must be cut-resistant. Failure to use the personal protection equipment by operators, specialized personnel or users can involve exposure to damage to health (depending on the model).
- During these operations, gloves must protect hands from the cold tray when being removed from the appliance. Failure to use the personal protection equipment by operators, specialised personnel or users can involve exposure to chemical risk and cause possible damage to health (depending on the model).
- During these operations, gloves must be suitable for contact with chemical substances used (refer to the safety data sheet of the substances used for information regarding the required PPE). Failure to use the personal protection equipment by operators, specialized personnel or users can involve exposure to chemical risk and cause possible damage to health (depending on the model).

A.3 General safety



- The machines are provided with electric and/or mechanical safety devices for protecting workers and the machine itself.
- Never operate the machine, removing, modifying or tampering with the guards, protection or safety devices.
- Do not make any modifications to the parts supplied with the appliance.
- Several illustrations in the manual show the machine, or parts of it, without guards or with guards removed. This is purely for explanatory purposes. Do not use the machine without the guards or with the protection devices deactivated.
- Do not remove, tamper with or make illegible the safety, danger and instruction signs and labels on the machine.



A.4 General safety rules

Protection devices installed on the machine

- The guards on the machine are:
 - fixed guards (e.g. casings, covers, side panels, etc.), fixed to the machine and/or frame with screws or quick-release connectors that can only be removed or opened with tools; Therefore the user must not remove or tamper with such devices. The Manufacturer declines any liability for damage due to tampering or their non-use.
 - interlocked movable guards (door) for access inside the machine;
 - machine electrical equipment access doors, made from hinged panels openable with tools. The door must not be opened when the machine is connected to the power supply.

Safety signs to be placed on the machine or near its area:

Prohibition	Meaning
	do not remove the safety devices
	do not use water to extinguish fires (placed on electrical parts)

Danger	Meaning
	danger of burns
	danger of electrocution (shown on electrical parts with indication of voltage)

End of use

- When the appliance is no longer to be used, make it unusable by removing the mains power supply wiring.

Instructions for use and maintenance

- Risks mainly of a mechanical, thermal and electrical nature exist in the machine. Where possible the risks have been neutralised:
 - directly, by means of adequate design solutions.
 - indirectly by using guards, protection and safety devices.
- Any anomalous situations are signalled on the control panel display.
- During maintenance several risks remain, as these could not be eliminated, and must be neutralised by adopting specific measures and precautions.

- Do not carry out any checking, cleaning, repair or maintenance operations on moving parts. Workers must be informed of this prohibition by means of clearly visible signs.
- To guarantee machine efficiency and correct operation, periodical maintenance must be carried out according to the instructions given in this manual.
- Make sure to periodically check correct operation of all the safety devices and the insulation of electrical cables, which must be replaced if damaged.
- Repair and extraordinary Maintenance have to be carried out by specialised authorised personnel provided with all the appropriate personal protection equipment, tools, utensils and ancillary means.
- Never operate the machine, removing, modifying or tampering with the guards, protection or safety devices.

Reasonably foreseeable improper use

Improper use is any use different from that specified in this manual. During machine operation, other types of work or activities deemed improper and that in general can involve risks for the safety of operators and damage to the appliance are not allowed. Reasonably foreseeable improper use includes:

- lack of machine maintenance, cleaning and periodical checks;
- structural changes or modifications to the operating logic;
- tampering with the guards or safety devices;
- failure to use personal protection equipment by operators, specialised personnel and maintenance personnel;
- failure to use suitable accessories (e.g. use of unsuitable equipment or ladders);
- keeping combustible or flammable materials, or in any case materials not compatible with or pertinent to the work, near the machine;
- wrong machine installation;
- placing in the machine any objects or things not compatible with its use, or that can damage the machine, cause injury or pollute the environment;
- climbing on the machine;
- non-compliance with the requirements for correct machine use;
- other actions that give rise to risks not eliminable by the Manufacturer.
- Failure to insure complete closure of doors or drawers, through forgetfulness or carelessness.
- Place the product in the compartments so as to block proper air circulation or hinder the perfect closing of doors / drawers.
- Exceed product weight allowed for each shelf / drawer.

The previously described actions are prohibited!

Residual risks

- The machine has several risks that were not completely eliminated from a design standpoint or with the installation of adequate protection devices. Nevertheless, through this manual the Manufacturer has taken steps to inform operators of such risks, carefully indicating the personal protection equipment to be used by them. Sufficient spaces are provided for during the machine installation stages in order to limit these risks.

To preserve these conditions, the areas around the machine must always be:

- kept free of obstacles (e.g. ladders, tools, containers, boxes, etc.);
- clean and dry;
- well lit.

For the Customer's complete information, the residual risks remaining on the machine are indicated below: such actions are deemed improper and therefore strictly forbidden.

Residual risk	Description of hazardous situation
Slipping or falling	The operator can slip due to water or dirt on the floor
Burns/abrasions (e.g. heating elements, cold pan, cooling circuit plates and pipes)	The operator deliberately or unintentionally touches some components inside the machine without using protective gloves
Electrocution	Contact with live parts during maintenance operations carried out with the electrical panel powered
Falling from above	The operator intervenes on the machine using unsuitable systems to access the upper part (e.g. rung ladders, or climbs on it)
Tipping of loads	When handling the machine or the packing containing it, using unsuitable lifting systems or accessories or with the unbalanced load
Chemical (refrigerant gas)	Inhalation of refrigerant gas. Therefore always refer to the appliance labels
Sudden closing of the door/drawers (if present, depending on the appliance type)	The operator for normal machine use could suddenly and deliberately close the door/drawers (if present, depending on the appliance type)



IMPORTANT

In case of a significant anomaly (e.g. short circuits, wires coming out of the terminal block, motor breakdowns, worn electrical cable sheathing, etc.) the operator must immediately deactivate the machine.

A.5 Technical data

Materials and fluids used

- R290 gas is potentially flammable and explosive. Take every possible precaution to prevent any risk linked to the nature of this gas during any routine and/or extraordinary operation carried out on the appliance.

Performance

Equivalent sound pressure level Leq dB(A) ¹	<70
--	-----

1. The noise emission values have been obtained according to EN ISO 11204. The value could increase depending on the workplace where measured.

Climatic Class

The climatic class given on the data plate refers to the following values:

- **Climatic Class 5:**
 - 43°C (IEC/EN 60335-2-89)
 - 40°C room with 40% relative humidity (EN 16825).

A.6 Transport, handling and storage

- Transport (i.e. transfer of the appliance from one place to another) and handling (i.e. transfer inside workplaces) must occur with the use of special and adequate means.
- Please refer to indications on packaging for stackability during transport, handling and storage.
- Do not stand under suspended loads during loading or unloading operations. Unauthorized personnel must not enter the work area.
- The weight of the appliance alone is not sufficient to keep it steady.
- For appliance lifting and anchoring, do not use movable or weak parts such as: casings, electrical raceways, pneumatic parts, etc.
- Do not push or pull the appliance to move it, as it may tip over. Use proper tool to lift the appliance.
- Arrange a suitable area with flat floor for appliance unloading and storage operations.
- Appliance transport, handling and storage personnel must be adequately instructed and trained regarding the safely use of lifting systems and personal protection equipment suitable for the type of operation carried out.
- When removing the anchoring systems, make sure the stability of the appliance parts does not depend on the anchoring and, therefore, that this operation does not cause the load to fall off the vehicle. Before unloading the appliance components, make sure all the anchoring systems are removed.

A.7 Installation and assembly

Introduction

- The installer must evaluate the minimum volume of the installation's environment necessary to reduce the risks related to danger caused by the flammability and toxicity of the foreseeable refrigerant present in the machine.
- Machine installation and assembly operations must only be carried out by specialised Technicians provided with all the appropriate personal protection equipment (safety shoes, gloves, glasses, overalls, etc.), tools, utensils and ancillary means, with adequate enclosure of the assembly area to keep out unauthorised persons.
- The operations described must be carried out in compliance with the current safety regulations, regarding the equipment used and the operating procedures.
- Disconnect the appliance from the power supply before carrying out any installation procedure.

Electrical connection

- Work on the electrical systems must only be carried out by a specialised personnel.
- Connection to the power supply must be carried out in compliance with the regulations and provisions in force in the country of use.
- The information regarding the appliance power supply voltage is given on the dataplate.
- The system power supply is arranged and able to take the actual current absorption and that it is correctly executed according to the regulations in force in the country of use;
- a differential thermal-magnetic switch suitable for the absorption specified on the data plate, with contact gap enabling complete disconnection in category III overvoltage conditions and complying with the regulations in force, is installed between the power cable and the electric line. For the correct sizing of the switch or plug, refer to the absorbed current specified on the appliance data plate.
- After making the connection, with the appliance running check that the power supply does not fluctuate by $\pm 10\%$ the rated voltage.
- If the power cable is damaged, it must be replaced by the After-Sales Service or in any case by specialised personnel, in order prevent any risk.
- The manufacturer declines any liability for damage or injury resulting from breach of the above rules or non-compliance with the electrical safety regulations in force in the country where the machine is used.

Electrical connection for appliances with plug

- To connect to the power supply, insert the power cable plug in the corresponding mains socket, first making sure:
 - the socket has an efficient earth contact and the mains voltage and frequency match that given on the dataplate. In case of any doubts regarding the efficiency of the earth connection have the system checked by specialised personnel;
 - the system power supply is arranged and able to take the actual current absorption and that it is correctly executed according to the regulations in force in the country of use;
- The plug must be accessible after positioning the appliance in the place of installation;
- The plug must be in a position always visible to the operator performing the intervention during maintenance operations;

Electrical connection for appliances with cable without plug

- The connection point has an efficient earth contact and the mains voltage and frequency match that given on the data plate. In case of doubts regarding the efficiency of the earth wire, have the system checked by specialised personnel;
- the appliance must be permanently connected to the power supply, respecting the polarities:
 - brown/black/gray: phase

- yellow/green: earth
- blue: neutral;
- An H05VV-F type power cable (code 60227 IEC 53) is used for the permanent connection to the mains; in case of replacement, use a type with at least these characteristics. When replacing the cable, the earth wire must be kept longer than the live and neutral wires.
- The differential thermal-magnetic switch must be lockable in the open position in case of maintenance.
- If using a plug, it must comply with the national installation rules. The plug must also be:
 - accessible after the appliance has been positioned
 - in the place of installation;
 - in a position always visible to the operator performing the intervention during maintenance operations;

Machine space limits

- Make sure to position the appliance at least 200 mm from the top and 30 mm from the back and from any other machines present in the room (in fact, close proximity can create problems of condensate forming on the walls of the appliance), also taking into consideration the space needed for door opening.

Positioning

- Install the appliance, taking all the safety precautions required for this type of operation, also respecting the relevant fire-prevention measures.
- Installation of the appliance and the refrigerant fluid condensing unit must only be carried out by the manufacturer's service personnel or by specialised personnel.



WARNING

Reversing opening of fully insulated doors

- Disconnect the appliance from the power supply before carrying out the door reversing procedure.

A.8 Product loading and unloading

- Cover or wrap food before placing it in the refrigerator and avoid putting very hot foods or steaming liquids inside.
- Do not use spray products for defrosting; in fact, they can be harmful to the health and/or damage the materials the appliance is made from.

WARNING:

- Do not use mechanical devices or other means to speed up the defrost process, unless recommended by the manufacturer.
- Do not damage the refrigerant circuit.
- Do not use electrical appliances inside the appliance compartments for storing frozen food, unless such equipment is recommended by the manufacturer.
- Keep the ventilation openings in the appliance casing free of any obstructions.

A.9 Maximum load



WARNING

- Do not place the product directly on bottom. Use the specific provided rack.
- Regarding the maximum load for each shelf, respect that given in the table below:

SHELF MAXIMUM LOAD	10 KG
--------------------	-------

- To avoid compromising appliance stability, the total maximum load must not exceed 150 kg.

A.10 Machine cleaning and maintenance

- Before carrying out any cleaning or maintenance, disconnect the appliance from the power supply. For details see the Electrical Connection paragraph in the Installation Manual.
- Do not touch the appliance with wet hands or feet or when barefoot.
- Do not remove the safety guards.
- Use a ladder with suitable protection for work on appliances with accessibility from above.
- Use suitable personal protection equipment.
- Machine maintenance, checking and overhaul operations must only be carried out by specialised personnel or the Customer Care Service, provided with adequate personal protection equipment, tools and ancillary means.
- Work on the electrical equipment must only be carried out by specialised personnel or the Customer Care Service.
- Put the machine in safe conditions before starting any maintenance operation.
- Respect the requirements for the various routine and extraordinary maintenance operations. Non-compliance with the instructions can create risks for personnel.

Ordinary maintenance

- Disconnect the power supply before cleaning the appliance.
For details see the Electrical Connection paragraph in the Installation Manual.
- Do not clean the machine with jets of water.

Cleaning the cabinet and accessories

- Pay attention to the selection and use of cleaning products in order to maintain proper appliance performance and safeness.
- Before using the appliance, clean all the internal parts and accessories with lukewarm water and neutral soap, or products that are over 90% biodegradable (in order to reduce the emission of pollutants into the environment), then rinse and dry thoroughly, where possible clean with dishwashing machine.
- Do not clean the appliance with detergents containing chlorine, solvent-based cleaning products (e. g. trichloro-ethylene), abrasive powders or agents, scouring pads or sponges that could damage the surfaces. Do not use organic solvent substances or essential oils. These substances could damage the parts of the appliance made from synthetic material.
- Do not use products (even if diluted) containing chlorine (sodium hypochlorite, hydrochloric or muriatic acid, etc.) to clean the floor under the appliance.

Preventive Maintenance

- Preventive Maintenance reduces downtime and maximizes machines efficiency. Customer Care Service can provide advice on the best maintenance plan to be purchased based on the intensity of use and the age of the equipment.

Repair and extraordinary maintenance

- Repair and extraordinary Maintenance have to be carried out by specialised authorised personnel. The manufacturer declines any liability for any failure or damage caused by the intervention of an unauthorized technician by the Manufacturer and the original manufacturer warranty will be invalidated.

Parts and accessories

- Use only original accessories and/or spare parts. Failure to use original accessories and/or spare parts will invalidate the original manufacturer warranty and may render the machine not compliant with the safety standard.

Maintenance intervals

- The inspection and maintenance intervals depend on the actual machine operating conditions and ambient conditions (presence of dust, damp, etc.), therefore precise time intervals cannot be given. In any case, careful and periodical machine maintenance is advisable in order to minimise service interruptions.
- It is advisable to carry out the checks with the frequency given in the following table:

Maintenance, inspections, checks and cleaning	Frequency	Responsibility
Ordinary cleaning • general cleaning of machine and surrounding area	Daily	Operator
Mechanical protection devices • check their condition and for any deformation, loosening or removed parts	Yearly	Service
Control • check the mechanical part, for cracks or deformation, tightening of screws: check the readability and condition of words, stickers and symbols and restore if necessary	Yearly	Service
Machine structure • tightening of main bolts (screws, fixing systems, etc.) of machine	Yearly	Service
Safety signs • check the readability and condition of safety signs	Yearly	Service
Electrical control panel • check the electrical components installed inside the electrical control panel. Check the wiring between the electrical panel and machine parts.	Yearly	Service
Electrical connection cable • check the connection cable (replace if necessary)	Yearly	Service
General machine overhaul • check all components, electrical equipment, corrosion, pipes...	Every 10 years ¹	Service

1. the machine is designed and built for a duration of about 10 years. After this period of time (from commissioning) the machine must undergo a general inspection and overhaul.

- It is advisable to stipulate a preventive and scheduled maintenance contract with the Customer Care Service.

A.11 Appliance disposal

- Make the appliance unusable by removing the power cable and any compartment closing devices, to prevent the possibility of someone becoming trapped inside.

B WARRANTY

B.1 Warranty terms and exclusions

If the purchase of this product includes warranty coverage, warranty is provided in line with local regulations and subject to the product being installed and used for the purposes as designed, and as described within the appropriate equipment documentation.

Warranty will be applicable where the customer has used only genuine spare parts and has performed maintenance in accordance with Electrolux Professional user and maintenance documentation made available in paper or electronic format.

Electrolux Professional strongly recommends using Electrolux Professional approved cleaning, rinse and descaling agents to obtain optimal results and maintain product efficiency over time.

The Electrolux Professional warranty does not cover:

- service trips cost to deliver and pick up the product;
- installation;
- training on how to use/operate;
- replacement (and/or supply) of wear and tear parts unless resulting from defects in materials or workmanship reported within one (1) week from the failure;
- correction of external wiring;
- correction of unauthorized repairs as well as any damages, failures and inefficiencies caused by and/or resulting from;
 - insufficient and/or abnormal capacity of the electrical systems (current/voltage/frequency, including spikes and/or outages);
 - inadequate or interrupted water supply, steam, air, gas (including impurities and/or other that does not comply with the technical requirements for each appliance);



- plumbing parts, components or consumable cleaning products that are not approved by the manufacturer;
- customer's negligence, misuse, abuse and/or non-compliance with the use and care instructions detailed within the appropriate equipment documentation;
- improper or poor: installation, repair, maintenance (including tampering, modifications and repairs carried out by third parties not authorized) and modification of safety systems;
- Use of non-original components (e. g.: consumables, wear and tear, or spare parts);
- environment conditions provoking thermal (e. g. overheating/freezing) or chemical (e. g. corrosion/oxidation) stress;
- foreign objects placed in- or connected to- the product;
- accidents or force majeure;
- transportation and handling, including scratches, dents, chips, and/or other damage to the finish of the product, unless such damage results from defects in materials or workmanship and is reported within one (1) week of delivery unless otherwise agreed;
- product with original serial numbers that have been removed, altered or cannot be readily determined;
- replacement of light bulbs, filters or any consumable parts;
- any accessories and software not approved or specified by Electrolux Professional.

Warranty does not include scheduled maintenance activities (including the parts required for it) or the supply of cleaning agents unless specifically covered within any local agreement, subject to local terms and conditions.

Check on Electrolux Professional website the list of authorized customer care.

C MACHINE AND MANUFACTURER'S IDENTIFICATION DATA

A reproduction of the marking or data plate on the machine is given below:

F.Mod. xxxxxxxx PNC 9VTX xxxxxxxx W Tot. xxx kW	Comm.Mod.xxxxxxxx Ser.No. xxxxxxxx Volt xxx xxHz	Type Ref. V1MTTNH Cyclopentane Total Current xx A	2021
Potenza Sbrinamento / Defrost Power Resistenza Evaporazione / Evaporation Heater El. Illuminazione / Lighting NF nominal Charge Rated Pressure	xxx kW x kW xx W Mpa IPX1	Classe / Class xGWP xxxx CO2-eq xxx t Refrigerante / Refrigerant xxxxxx xxx Kg Cap. xxx	 
Electrolux Professional SPA - Viale Treviso, 15 - 33170 Pordenone (Italy)			

The data plate gives the product identification and technical data.

The meaning of the various information given on it is listed below:

F.Mod.	factory description of product
Comm.Model	commercial description
V1MTTNH (*)	certification group (Type)
PNC	production number code
Ser.No.	serial number
V	power supply voltage
Hz	power supply frequency
KW	max. power input
Cyclopentane	expanding gas used in insulation
Total Current	rated current
Defrost power	defrost power
Evaporation Heater El.	evaporation heating element power
Lighting	internal light

Class	climatic
GWP	global warming potential
CO2 eq	quantity of greenhouse gases
Refrigerant	type of refrigerant gas
Cap.	nominal capacity
IPX1	dust and water protection rating
CE	CE marking
Electrolux Professional SpA Viale Treviso 15 33170 Pordenone Italy	manufacturer

The data plate is placed inside the cabinet on the upper part of the right side.

* Description of certification group (Type)

V	Vertical refrigerator
1M	Model (1 module)
T	Thawing cabinet range
TN	Temperature range TN = Refrigerated
none 6	power supply voltage none = 50Hz 6 = 60Hz
H	Refrigerant type R290



NOTE!

Refer to the data given on the machine's data plate for relations with the Manufacturer (e.g. when ordering spare parts, etc.).

D GENERAL INFORMATION



WARNING

Refer to “*Warning and Safety Information*”.

D.1 Introduction

This manual contains information relevant to various appliances. The product images in this guide are only an example.

The drawings and diagrams given in the manual are not in scale. They supplement the written information with an outline, but are not intended to be a detailed representation of the appliance supplied.

The numerical values given on the appliance installation diagrams refer to measurements in millimeters and/or inches.

D.2 Intended use and restrictions

Our appliances are designed and optimised in order to obtain high performance and efficiency. This appliance is designed for thawing and preservation of frozen food.

Any other use is deemed improper.



CAUTION

The machine is not suitable for installation outdoors and/or in places exposed to atmospheric agents (rain, direct sunlight, etc.).



NOTE!

The manufacturer declines any liability for improper use of the product.

D.3 Testing and inspection

Our appliances have been designed and optimized, with laboratory testing, in order to obtain high performance and efficiency.

The appliance is shipped ready for use.

Passing of the tests (visual inspection - electrical test - functional test) is guaranteed and certified by the specific enclosures.

D.4 Copyright

This manual is intended solely for consultation by the operator and can only be given to third parties with the permission of Electrolux Professional company.

D.5 Keeping the manual

The manual must be carefully kept for the entire life of the appliance, until scrapping. The manual must stay with the appliance in case of transfer, sale, hire, granting of use or leasing.

D.6 Recipients of the manual

This manual is intended for:

- the carrier and handling personnel;
- installation and commissioning personnel;
- the employer of appliance users and the workplace manager;
- operators for normal appliance use;
- specialised personnel - Customer Care service (see service manual).

D.7 Definitions

Listed below are the definitions of the main terms used in the manual. It is advisable to read them carefully before use.

Operator	appliance installation, adjustment, use, maintenance, cleaning, repair and transport personnel.
Manufacturer	Electrolux Professional SpA or any other service centre authorised by Electrolux Professional SpA.
Operator for normal appliance use	an operator who has been informed and trained regarding the tasks and hazards involved in normal appliance use.
Customer Care service or specialised personnel	an operator instructed/trained by the Manufacturer and who, based on his professional and specific training, experience and knowledge of the accident-prevention regulations, is able to appraise the operations to be carried out on the appliance and recognise and prevent any risks. His professionalism covers the mechanical, electrotechnical and electronics fields etc.
Danger	source of possible injury or harm to health.
Hazardous situation	any situation where an operator is exposed to one or more hazards.
Risk	a combination of probabilities and risks of injury or harm to health in a hazardous situation.
Protection devices	safety measures consisting of the use of specific technical means (guards and safety devices) for protecting operators against risks.
Guard	an element of a appliance used in a specific way to provide protection by means of a physical barrier.
Safety device	a device (other than a guard) that eliminates or reduces the risk; it can be used alone or in combination with a guard.
Customer	the person who purchased the appliance and/or who manages and uses it (e. g. company, entrepreneur, firm).
Electrocution	an accidental discharge of electric current on a human body.

D.8 Responsibility

The Manufacturer declines any liability for damage and malfunctioning caused by:

- non-compliance with the instructions contained in this manual;
- repairs not carried out in a workmanlike fashion, and replacements with parts different from those specified in the spare parts catalogue (the fitting and use of non-original spare parts and accessories can negatively affect appliance operation and invalidates the original manufacturer warranty);
- operations carried out by non-specialised personnel;
- unauthorized modifications or operations;
- missing, lack or inadequate maintenance;
- improper appliance use;
- unforeseeable extraordinary events;
- use of the appliance by uninformed and / or untrained personnel;
- non-application of the current provisions in the country of use, concerning safety, hygiene and health in the workplace.

The Manufacturer declines any liability for damage caused by arbitrary modifications and conversions carried out by the user or the Customer.

The employer, workplace manager or service technician are responsible for identifying and choosing adequate and suitable

personal protection equipment to be worn by operators, in compliance with regulations in force in the country of use.

The Manufacturer declines any liability for inaccuracies contained in the manual, if due to printing or translation errors.

Any supplements to the installation, use and maintenance manual the Customer receives from the Manufacturer will form an integral part of the manual and therefore must be kept together with it.

E TRANSPORT, HANDLING AND STORAGE



WARNING

Refer to “*Warning and Safety Information*”.

E.1 Handling



CAUTION

The appliances must be handled in the upright position. If the appliance is handled in a horizontal position, make sure to wait a few hours before making it operational.

E.1.1 Procedures for handling operations

Before lifting:

- send all operators to a safe position and prevent persons from entering the handling area;
- make sure the load is stable;
- make sure no material can fall during lifting. Manoeuvre vertically in order to avoid impacts;
- handle the machine, keeping it at minimum height from the ground.

E.1.2 Placing the load

Remove the appliance from the wooden pallet, move it to one side, then slide it onto the floor.

E.2 Unpacking



IMPORTANT

Immediately check for any damage caused during transport. Inspect the packaging before and after unloading.

Remove the packaging. Take care when unpacking and handling of the appliance to not cause any shocks on itself.



NOTE!

- The forwarder is responsible for the goods during transport and delivery.
- Make a complaint to the forwarder in case of visible or hidden damage.
- Specify any damage or shortages on the dispatch note.
- The driver must sign the dispatch note: the forwarder can reject the claim if the dispatch note is not signed (the forwarder can provide the necessary form).

Unpack the machine carrying out the following operations:

- cut the straps and remove the protective film, taking care not to scratch the surface if scissors or blades are used;
- remove the cardboard top, the polystyrene corners and the vertical protection pieces;
- for appliances with stainless steel cabinet, remove the protective film very slowly without tearing it, to avoid leaving glue stuck to the surface;
- should this happen, remove the traces of glue with a non-corrosive solvent, rinsing it off and drying thoroughly;
- it is advisable to go over all the stainless steel surfaces with a rag soaked in paraffin oil in order to create a protective film.

E.2.1 Disposal of packing

The packing must be disposed of in compliance with the current regulations in the country where the appliance is used. All the packing materials are environmentally friendly.

They can be safely kept, recycled, or burned in an appropriate waste incineration plant. Recyclable plastic parts are marked as follows:



Polyethylene

- Outer wrapping
- Instructions bag



Polypropylene

- Straps



Polystyrene foam

- Corner protectors

The parts in wood and cardboard can be disposed of, respecting the current regulations in the country where the appliance is used.

E.3 Storage

The appliance and/or its parts must be stored and protected from damp, in a non-aggressive place, free of vibrations and with room temperatures between -10°C [14°F] and 50°C [122°F].

The place where the appliance is stored must have a flat support surface to avoid deforming the appliance or damage to the support feet.



CAUTION

The appliance must be levelled, otherwise its operation could be affected.

F TECHNICAL DATA



WARNING

Refer to “*Warning and Safety Information*”.

F.1 Materials and fluids used

The areas in contact with the food product are in steel.

The fluorinated gases are contained in a hermetically sealed device.

HC refrigerant fluid for models with refrigerant R290, complying with the current regulations, is used in the refrigerating units. The type and quantity of gas used are given on the dataplate.

The CO₂ equivalent of the gas may be calculated multiplying GWP value by quantity of gas.

F.2 Main technical characteristics

Rack dimensions mm	530x650
Power supply voltage V	220–230V/60Hz ¹ 220–240V/50Hz ¹

1. Depending on the model

G INSTALLATION AND ASSEMBLY



WARNING

Refer to “*Warning and Safety Information*”.

G.1 Introduction

To ensure correct operation of the appliance and maintain safe conditions during use, carefully follow the instructions given below in this section.



CAUTION

Before moving the appliance make sure the load bearing capacity of the lifting equipment used is suitable for its weight.

G.2 Customer's responsibilities

The tasks and works required of the Customer are:

- provide an earthed power socket of suitable capacity for the input specified on the dataplate;
- for information regarding the electrical connection, refer to *Electrical connection*;
- check the floor planarity on which the machine is placed.

G.3 Positioning

Install the appliance, taking all the safety precautions required for this type of operation, also respecting the relevant fire-prevention instructions.

Install the appliance in a ventilated place, away from heat sources such as radiators or air conditioning systems, to allow correct cooling of the refrigerating unit components.

Never cover the condenser, even temporarily, as this can compromise proper operation of the condenser and therefore the appliance.

If the machine is installed in a place where there are corrosive substances (chlorine, etc.), it is advisable to go over all the stainless steel surfaces with a rag soaked in paraffin oil to create a protective film.

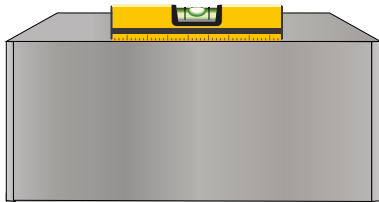
Arranging the machine:

- position the machine in the required place;
- adjust the height and levelling with the adjustment feet, also checking correct door closing



CAUTION

The appliance must be levelled, otherwise its operation could be affected.



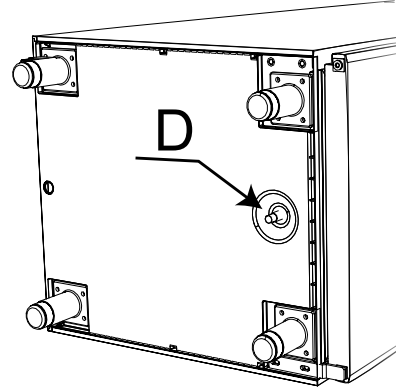
G.4 Plumbing connection (only if present)



CAUTION

The plumbing connection must be carried out by a specialised personnel.

The machine has a drain hole for any liquids present in the compartment. Connect the compartment drain hole “D”, located on the bottom of the appliance and provided with a closing plug, to a drain. The drain hole diameter is “17.5 mm”, therefore it is advisable to connect it to a “17.5 mm” drain pipe.



G.5 Reversing opening of fully insulated doors



CAUTION

The user cannot reverse the door opening direction in all models with glass door. Models with glass door come with opening from left to right. To reverse the opening direction in refrigerated models, call the Customer Care Service.

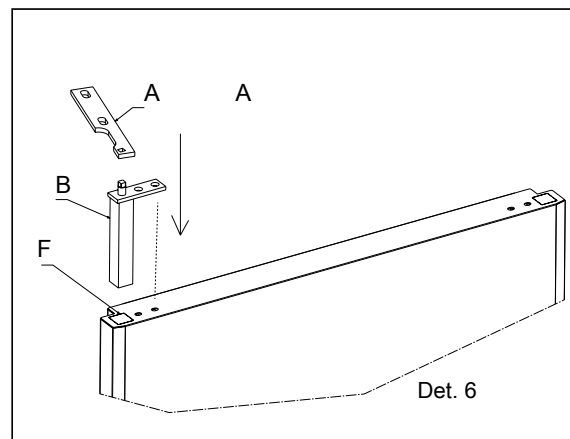
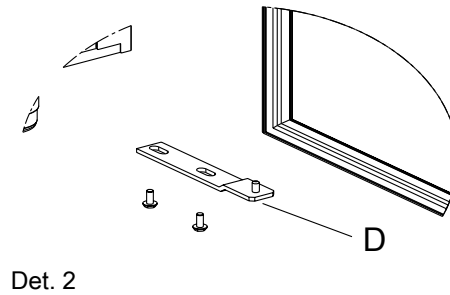
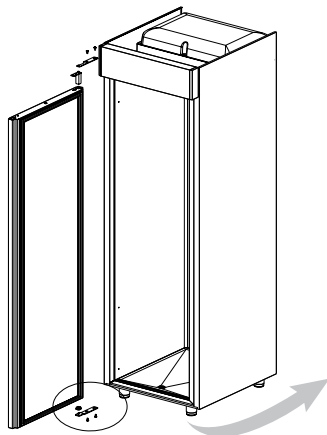
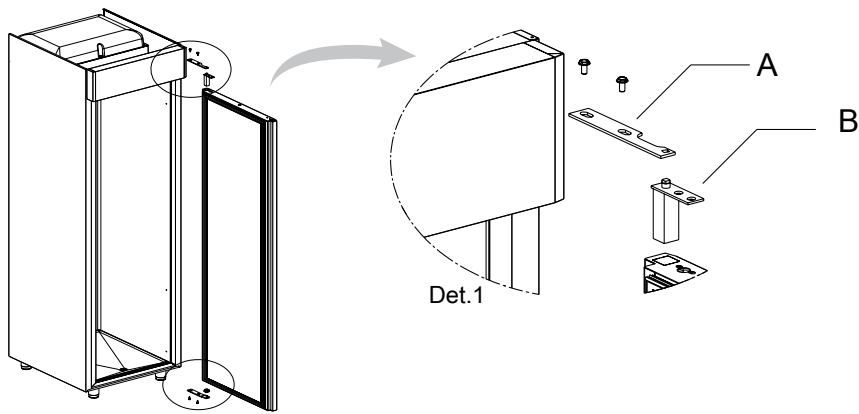
Single- door refrigerated cupboards are normally supplied with right opening. When converting to left opening, proceed as follows:

- open the control panel, loosening the 2 screws located between the panel and door;
- undo the 2 fixing screws of bracket “A” and the screw securing hinge “B” (detail 1);
- remove the door and remove hinge “B” from right to left, break the precut “F” on the opposite side and insert part “B” (detail 6) and the bracket as shown in the figure;
- remove the lower bracket “D”, refitting it in the special seat on the opposite side (detail 2);
- position the door on the lower bracket “D”;
- position the upper bracket “A” between the door and the roof of the appliance, tightening the fixing bolts;
- before tightening the screws, align the door with the panel of the cabinet, adjusting the lower and upper brackets and making sure the seal is perfectly fitted on all sides;
- then tighten the bracket fixing bolts;
- fix the control panel again, securing the 2 screws between the control panel and door.



NOTE!

After doing the above operations, the holes in the appliance must be closed with the special plastic plugs.



H NORMAL MACHINE USE

H.1 Characteristics of personnel enabled to operate on the appliance

The Customer must make sure the personnel for normal appliance use are adequately trained and skilled in their duties. The operator must:

- read and understand the manual;
- receive adequate training and instruction for their duties in order to operate safely;
- receive specific training for correct appliance use.



IMPORTANT

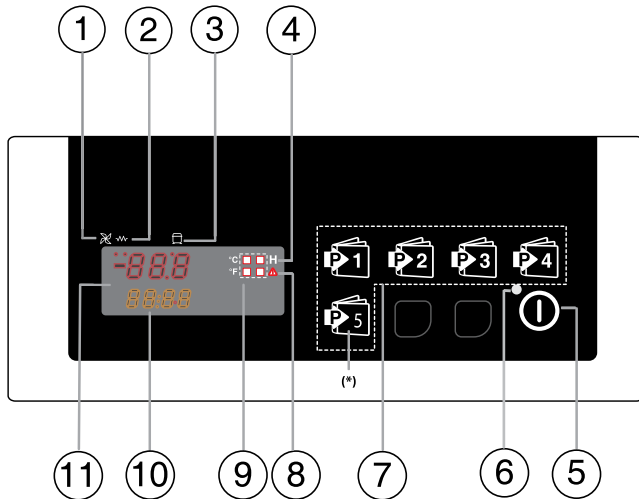
The Customer must make sure his personnel have understood the instructions received and in particular those regarding work hygiene and safety in use of the appliance.

H.2 Basic requirements for appliance use

- Knowledge of the technology and specific experience in operating the appliance.
- Adequate general basic education and technical knowledge for reading and understanding the contents of the manual, including correct interpretation of the drawings, signs and pictograms.
- Sufficient technical knowledge for safely performing his duties as specified in the manual.
- Knowledge of the regulations on work hygiene and safety.

I OPERATING

I.1 Description of control panel



1	Fans On light
2	Thaw heating elements On light
3	Compressor On light
4	Maintaining On light
5	"ON/OFF" button
6	Power supply light
7	Program buttons
8	Alarm light
9	Thaw cycle On light
10	Time display
11	Digital thermostat display
(*)	only if present

I.2 Description of icons and leds



Led on indicates compressor activation;
When flashing it indicates compressor delay.



Led on indicates activation of the defrost heating elements.



Led on indicates activation of the defrost and/or compartment fan.



Icon lit indicates carrying out of the defrost cycle of programs P1 or P2 or P3 or P4 respectively.




Icon lit indicates maintaining in progress.



The icon indicates the detection of an alarm;
For information on alarms, refer to the table below:

I.3 Switching the appliance on and activation of thawing cycles

Press the "ON/OFF/STOP" button  to activate the appliance. The machine goes to maintaining mode, at a set value. To start the required defrost cycle (P1, P2, P3, P4) press the relevant program button




The display shows the remaining time for the cycle to end

85:00

During a thawing cycle, press any button (except the ON / OFF button) to display the type of running program (P1, P2, etc..).

The defrost cycle ends automatically, after which the machine returns to the maintaining mode.

To manually stop it, press the "ON/OFF/STOP" button .

To switch the appliance off, press the "ON/OFF/ STOP" button



during the maintaining cycle.

The temperature display shows the message "OFF".

I.4 Automatic defrost

The appliance is equipped with an automatic cooling unit/ evaporator defrost device. This function is activated only during maintaining and not during thawing cycles. During defrost the display shows the message "dEF", whereas the bottom display shows the time remaining for defrost end. The defrost water is run into a tray and automatically evaporated.

I.5 Loading the product



WARNING

Cover or wrap food before placing it in the refrigerator and avoid putting very hot foods or steaming liquids inside.

Distribute the product evenly inside the compartment (away from the door and back) to allow good air circulation. In case of excessive product loading, the temperature remains uniform thanks to the removable rear supports which act as an air conveyor.



- It is recommend thawing the bagged or packaged product.
- To avoid non-uniform thawing, the frozen product must have an uniform thickness and no more than 8 cm.
- If the product to be thawed is not packaged and bagged with an equal thickness, it is advisable to reduce the temperature and increase the thawing time to obtain an homogeneous result.

- It is advisable to thaw the product on a grid and not in a tray. If trays are used to thaw the product, it is recommended to use GN 1/1 trays.



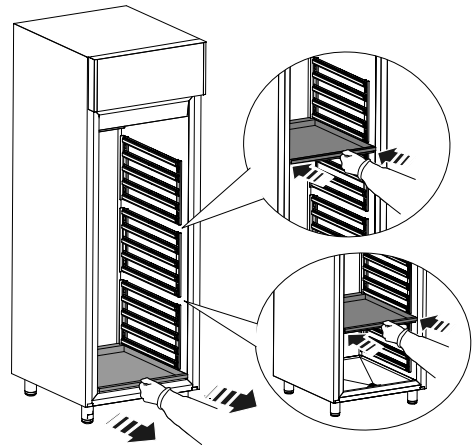
CAUTION

Do not leave the door open any longer than necessary when loading or removing food.

It is advisable to keep the keys in a place only accessible to authorised personnel. To prevent unauthorised personnel from opening the appliance, it is advisable to always close it with the key.

J.5.1 Dividing tray for reduced charge

In case of reduced charge it is possible to optimise the internal volume using the removable dividing tray. In case of full charge, the tray must be placed on the bottom part of the appliance. The tray also has the function to be used as liquid collector.



J MACHINE CLEANING AND MAINTENANCE



WARNING

Refer to “Warning and Safety Information”.

J.1 Ordinary maintenance

J.1.1 Care information

Care operations have to be carried out by the owner and/or user of the appliance.



IMPORTANT

Problems resulting from poor or lack of care as hereinafter described will not be covered by the warranty.

J.1.2 Cleaning the cabinet and accessories

Before using the appliance, clean all the internal parts and accessories with lukewarm water and neutral soap, or products that are over 90% biodegradable (in order to reduce the emission of pollutants into the environment), then rinse and dry thoroughly, where possible clean with dishwashing machine. Do not use solvent-based detergents (e.g. trichloro-ethylene) or abrasive powders for cleaning.

Check the power cable regularly and replace it in case of signs of wear. Have the appliance checked periodically (at least once a year).



CAUTION

Do not clean the appliance with detergents containing chlorine, solvent-based cleaning products (e.g. trichloro-ethylene), abrasive powders or agents, scouring pads or sponges that could damage the surfaces. Do not use organic solvent substances or essential oils. These substances could damage the parts of the appliance made from synthetic material.



CAUTION

Do not use products (even if diluted) containing chlorine (sodium hypochlorite, hydrochloric or muriatic acid, etc.) to clean the floor under the appliance.



J.1.3 Compartment cleaning

The racks can be removed in order to thoroughly clean the compartment, therefore remove them before cleaning. For this, use products that are over 90% biodegradable (do not use solvents or abrasive powders), then rinse and dry thoroughly.



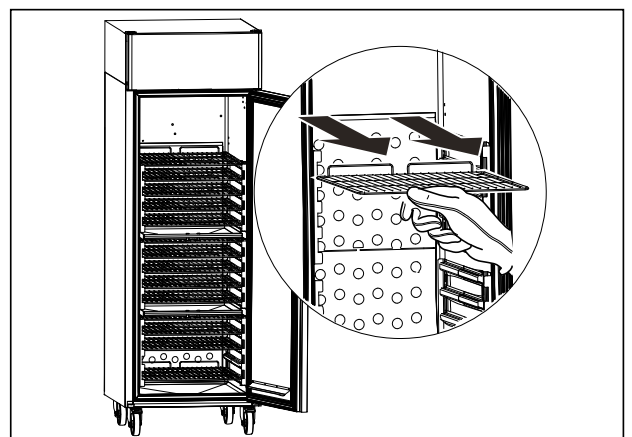
CAUTION

Pay special attention when cleaning the front control panel: make sure water sprays do not go behind the panel.

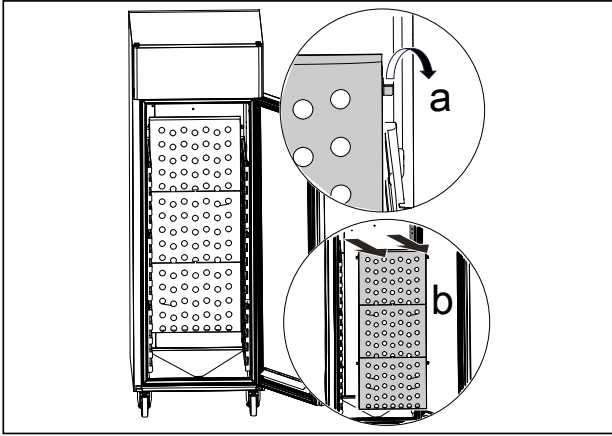
- **Cleaning the rack supports and internal back conveyor**

The inside rack supports and the internal back conveyor can be removed and are dishwasher friendly. To remove, proceed as shown below:

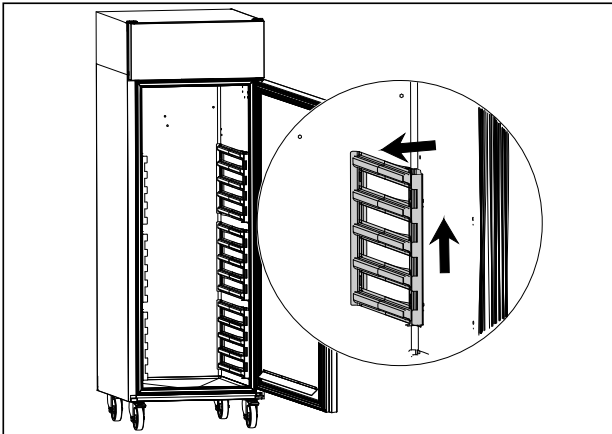
1.



2.



3.

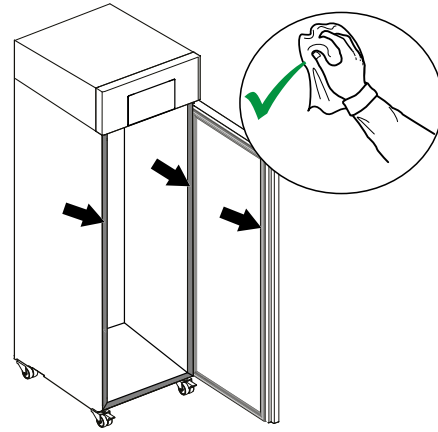


• **Daily cleaning the cabinet**

It is suggested to clean all internal parts and accessories after each thawing cycle, or at least once a day. For cabinets with internal drain it is possible to remove the cap during the cleaning cycle. For cleaning proceed as follows:

1. remove the liquid collector basin, empty and clean it;
2. remove the grids supports and wash in a dishwasher;
3. clean the internal cell and interior door;

4. accurately clean the door gasket and frame, in order to avoid residual liquids from thawing;



5. thoroughly dry all surfaces;
6. once finished the cleaning cycle restore all accessories inside the cabinet, including the drain cap;

After carrying out maintenance make sure the machine is able to work safely and, in particular, that the protection and safety devices are efficient.

J.1.4 Precautions in case of long idle periods

If the appliance is not going to be used for some time, take the following precautions:

- disconnect the power supply;
- remove all food from the compartment and clean the inside and accessories;
- clean the cabinet, going over all the stainless steel surfaces vigorously with a rag moistened with paraffin oil to create a protective film;
- leave the door or the drawers open so that air can circulate inside, preventing the formation of unpleasant odours.
- periodically air the premises.

J.1.5 Repair and extraordinary maintenance



NOTE!

Repair and extraordinary maintenance have to be carried out by specialised authorised personnel, who can ask the manufacturer to supply a servicing manual.

K MACHINE DISPOSAL



WARNING

Refer to “*Warning and Safety Information*”.

K.1 Procedure regarding appliance disposal

At the end of the product's life-cycle, make sure it is not dispersed in the environment.

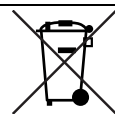
Different regulations are in force in the various countries, therefore comply with the provisions of the laws and competent bodies in the country where appliance disposal takes place.

Before disposing of the appliance, make sure to carefully check its physical condition, and in particular any parts of the structure that can give or break during dismantling.

The appliance's parts must be disposed in a differentiated way, according to their different characteristics (e. g. metals, oils, greases, plastic, rubber, etc.) remembering that the compressor contains lubricant oil and refrigerant fluid which can be

recycled, and that the refrigerator components are special waste assimilable with urban waste.

Depending on the model, the doors must be removed before dismantling the appliance.



The symbol on the product indicates that this product should not be treated as domestic waste, but must be correctly disposed of in order to prevent any negative consequences for the environment and human health. For further information on the recycling of this product, contact the local dealer or agent, the Customer Care service or the local body responsible for waste disposal.



NOTE!

When dismantling the appliance, any marking, this manual and other documents concerning the appliance must be destroyed.

L TROUBLESHOOTING

L.1 Troubleshooting

In some cases, faults can be eliminated easily and quickly by following a brief troubleshooting guide:

In some cases, faults can be eliminated easily and quickly by following a brief troubleshooting guide:

ANOM-ALY	TYPE OF ANOMALY	DESCRIPTION	POSSIBLE CAUSES	ACTIONS
rPF	ALARM IN MAINTAINING: the compressor runs automatically at time intervals. IN THAWING: the cycle switches to maintaining.	Compartment sensor fault.	Probe broken or disconnected.	Try to switch OFF / ON If the problem persists Call Service.
HA	ALARM	High maintaining temperature alarm.	Door left opened Excessive load Malfunctioning on the cooling unit.	Close the door. If the problem persists Call Service.
HAt	ALARM	High thawing cycle temperature.	Door left opened Excessive load Malfunctioning on the cooling unit.	Close the door. If the problem persists Call Service.
LA	ALARM	Low temperature alarm.	Malfunctioning on the cooling unit	No action If the problem persists Call Service.
dA	ALARM IN MAINTAINING: the fans are switched off. IN THAWING: the fans and heating elements are switched off.	Door open alarm.	Door left opened	Close the door.
Pfa	ALARM IN THAWING: the appliance goes to MAINTAINING.	Prolonged power failure signalling.	Power failue missing for a long period	—
End	INFO	End of a thawing cycle.	—	—
Part	INFO	End of partial cycle if enabled by parameter "Hti".	—	—
The appliance does not switch on.	-----	-----	<ul style="list-style-type: none"> Electric supply issue. 	<ul style="list-style-type: none"> Make sure the plug is properly inserted in power socket. Make sure the socket is powered. check (if present) the suitability of the fuse on the plug; otherwise contact the assistance service to replace the fuse, which must have the same characteristics as the one being replaced. If the problem persists Call Service.

The inside temperature is too high.	-----	-----	<ul style="list-style-type: none"> • Door left open • Issue with thermostat setting. • Heat source near the appliance; 	<ul style="list-style-type: none"> • Make sure the door closes properly. • Check the thermostat setting; • Make sure there is no heat source near the appliance. • If the problem persists Call Service.
The appliance is too noisy.	-----	-----	<ul style="list-style-type: none"> • Unit unlevelled or touching other equipment. 	<ul style="list-style-type: none"> • Make sure the appliance is properly levelled. An unbalanced position can set off vibrations. • Make sure the appliance is not touching other equipment or parts which could reverberate. • If the problem persists Call Service.

If the fault persists after carrying out the above checks, contact the Customer Care Service, remembering to specify:

- A. the type of fault;
- B. the appliance PNC (production number code);
- C. the Ser. No. (appliance serial number).



NOTE!

The appliance PNC and serial number are essential for identifying the type of appliance and date of manufacture. The dataplate giving the product and technical data is located inside the appliance. The plate giving the appliance PNC code and serial number is located in the unit compartment.

CE