

# Refrigerated and Freezer Bases



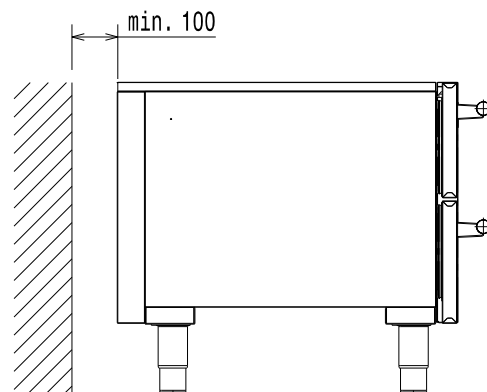
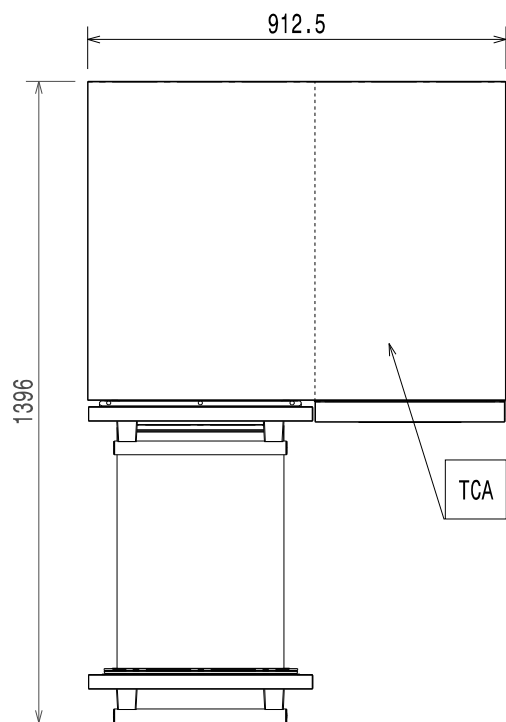
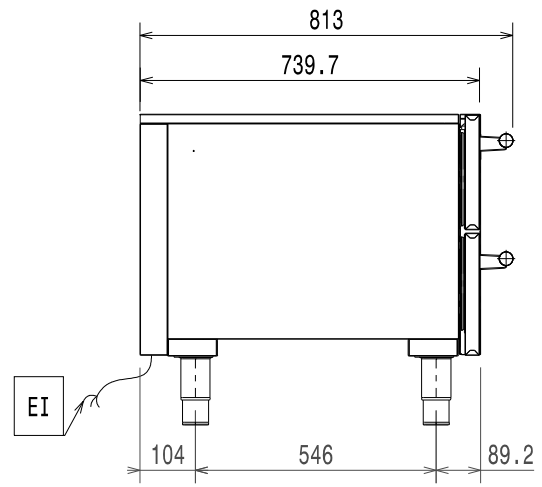
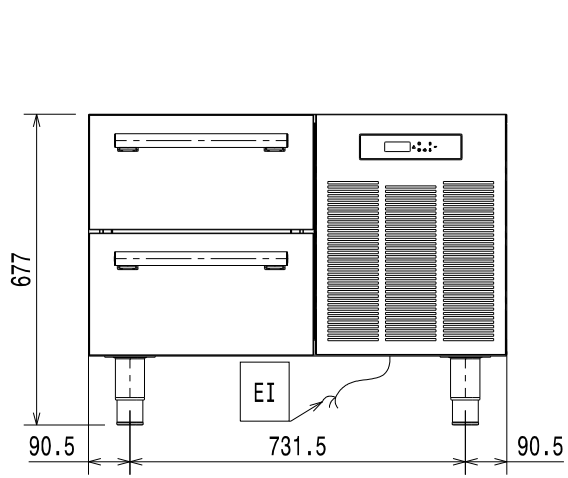
---

EN Installation and operating manual \*



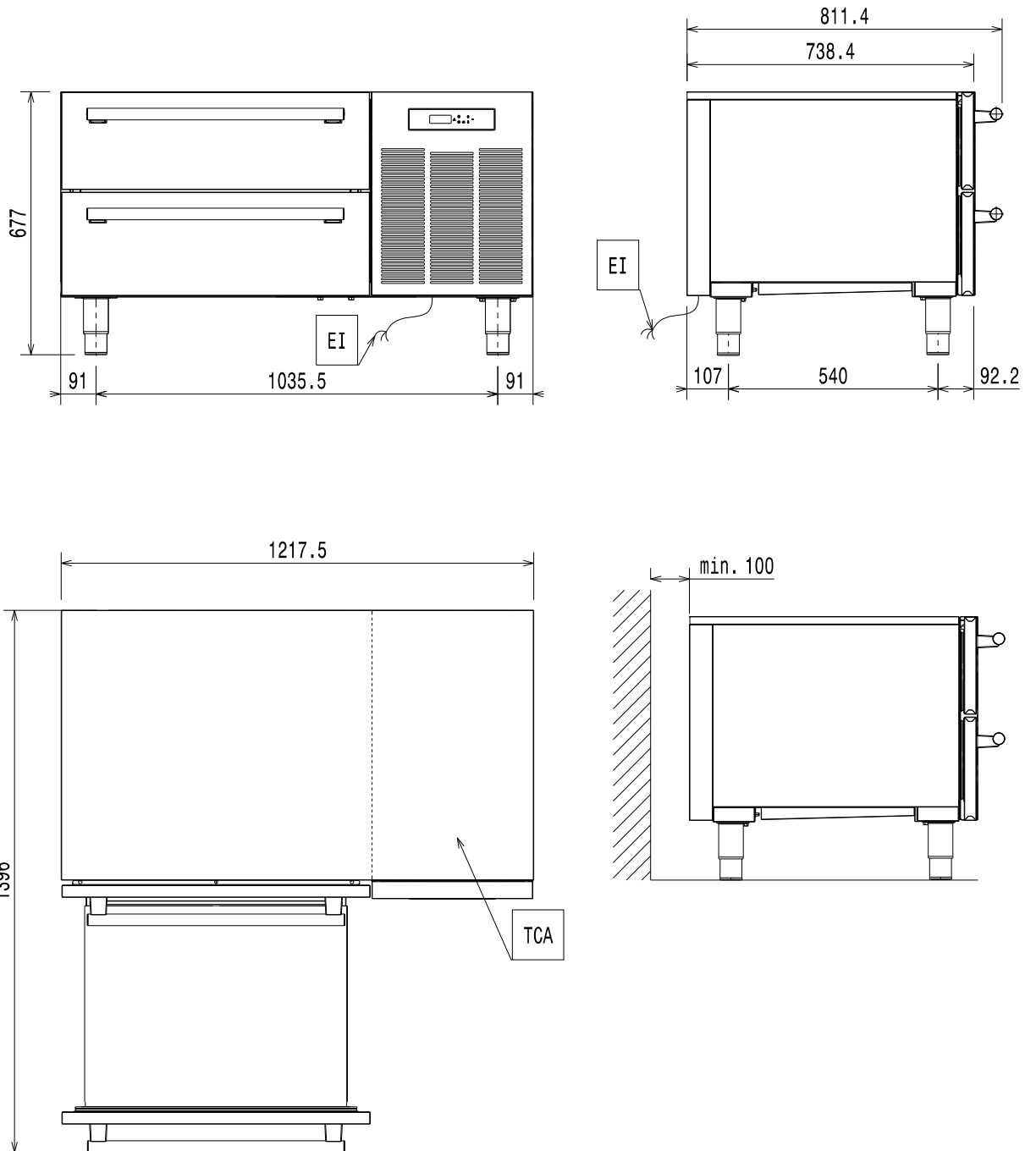
# Installation diagram

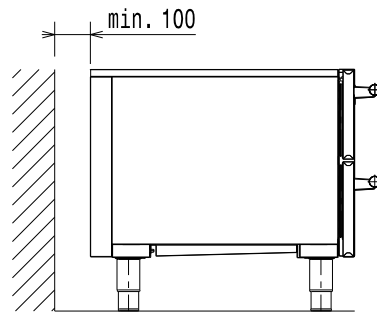
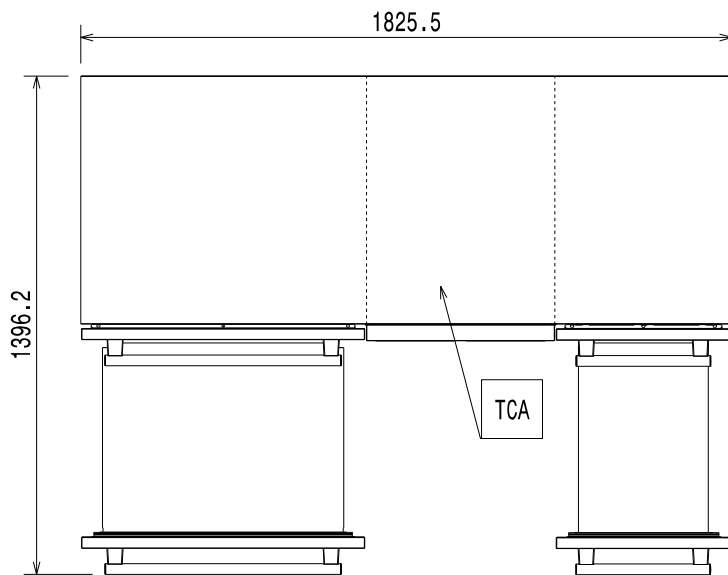
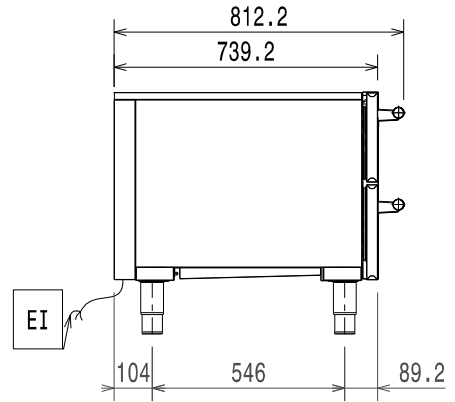
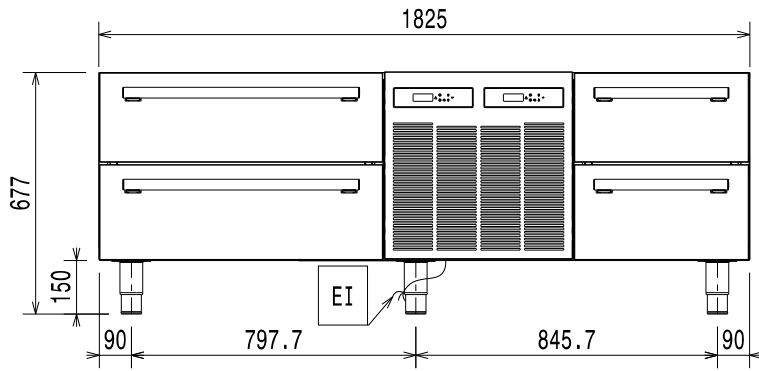
# Refrigerated/Freezer Base 36" with 2 drawer



Installation diagram

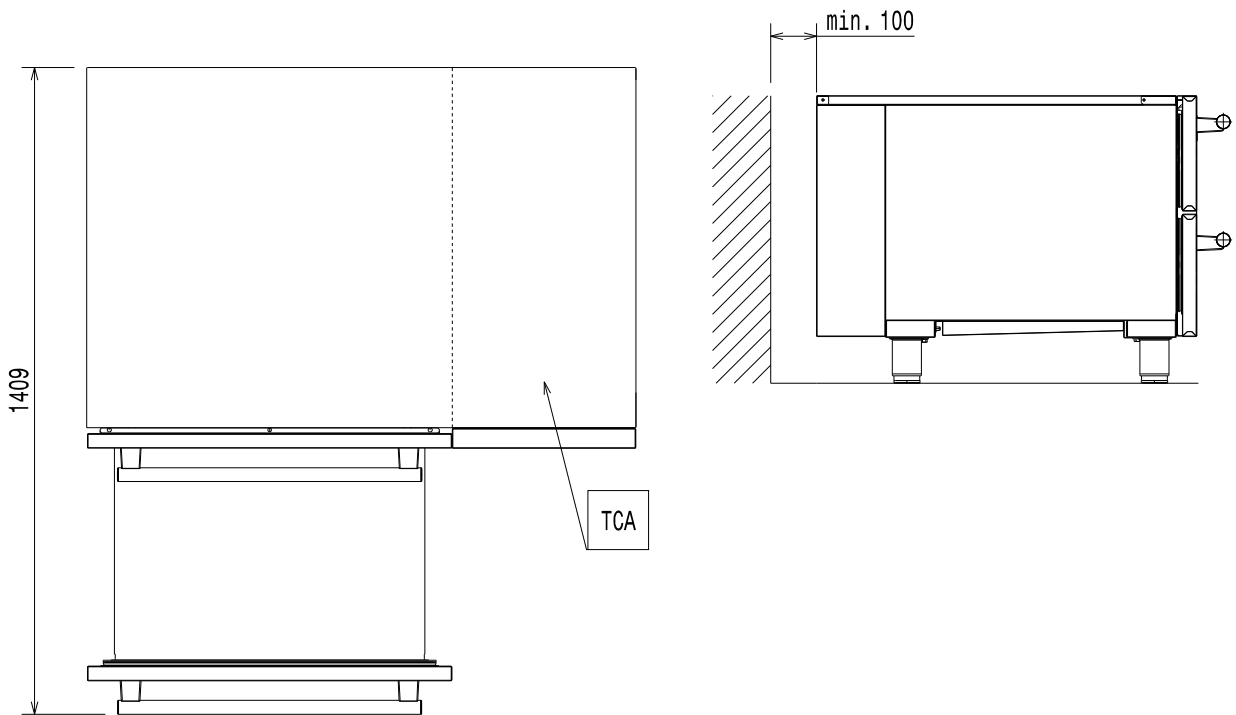
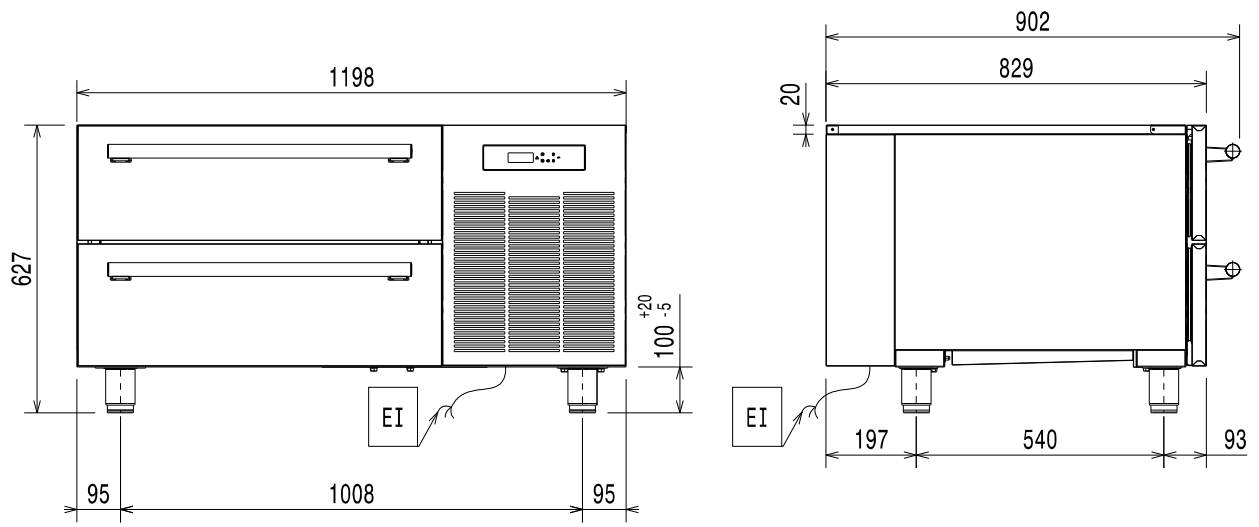
Refrigerated/Freezer Base 48" with 2 drawer





# Installation diagram

# N900 Refrigerated Base



El = Power cable length

TCA = Technical connection area

## Foreword



Read the following instructions, including the warranty terms before installing and using the appliance.

Visit our website [www.electroluxprofessional.com](http://www.electroluxprofessional.com) and open the **Support** section to:

---



Register your product



Get hints & tips of your product, service and repair information

---

The installation, use and maintenance manual (hereinafter Manual) provides the user with information necessary for correct and safe use of the appliance.

The following must not be considered a long and exacting list of warnings, but rather a set of instructions suitable for improving appliance performance in every respect and, above all, preventing injury to persons and animals and damage to property due to improper operating procedures.

All persons involved in appliance transport, installation, commissioning, use and maintenance, repair and disassembly must consult and carefully read this manual before carrying out the various operations, in order to avoid wrong and improper actions that could compromise the appliance's integrity or endanger people. Make sure to periodically inform the user regarding the safety regulations. It is also important to instruct and update personnel authorised to operate on the appliance, regarding its use and maintenance.

The manual must be available to operators and carefully kept in the place where the appliance is used, so that it is always at hand for consultation in case of doubts or whenever required.

If, after reading this manual, there are still doubts regarding appliance use, do not hesitate to contact the Manufacturer or the authorised Service Centre to receive prompt and precise assistance for better operation and maximum efficiency of the appliance. During all stages of appliance use, always respect the current regulations on safety, work hygiene and environmental protection. It is the user's responsibility to make sure the appliance is started and operated only in optimum conditions of safety for people, animals and property.



### IMPORTANT

- The manufacturer declines any liability for operations carried out on the appliance without respecting the instructions given in this manual.
- The manufacturer reserves the right to modify the appliances presented in this publication without notice.
- No part of this manual may be reproduced.
- This manual is available in digital format by:
  - contacting the dealer or reference customer care;
  - downloading the latest and up to date manual on the web site [www.electroluxprofessional.com](http://www.electroluxprofessional.com);
- The manual must always be kept in an easily accessed place near the appliance. Appliance operators and maintenance personnel must be able to easily find and consult it at any time.

# Contents

A	WARNING AND SAFETY INFORMATION	10
A.1	General information	10
A.2	Description of type reference	10
A.3	Personal protection equipment	11
A.4	General safety	11
A.5	Protection devices installed on the appliance	12
A.6	Safety signs to be placed on the appliance or near its area	12
A.7	Reasonably foreseeable improper use	12
A.8	Residual risks	12
A.9	Technical data	13
A.10	Climatic Class	13
A.11	Transport, handling and storage	13
A.12	Installation and assembly	13
A.13	Electrical connection	13
A.14	Electrical connection for appliances with cable without plug	14
A.15	Positioning	14
A.16	Appliance space limits	14
A.17	Product loading and unloading	14
A.18	Maximum drawer load	14
A.19	Appliance cleaning	14
A.20	Cleaning the cabinet and accessories	15
A.21	Preventive Maintenance	15
A.22	Parts and accessories	15
A.23	Precautions for use and maintenance	15
A.24	Appliance maintenance	15
A.25	Maintenance intervals	15
A.26	Appliance disposal	16
B	WARRANTY TERMS AND EXCLUSIONS	16
C	APPLIANCE AND MANUFACTURER'S IDENTIFICATION DATA	16
D	GENERAL INFORMATION	17
D.1	Introduction	17
D.2	Intended use and restrictions	17
D.3	Testing and inspection	17
D.4	Copyright	17
D.5	Keeping the manual	17
D.6	Recipients of the manual	17
D.7	Definitions	17
D.8	Responsibility	17
E	TRANSPORT, HANDLING AND STORAGE	18
E.1	Introduction	18
E.2	Handling	18
E.2.1	Procedures for handling operations	18
E.2.2	Shifting	18
E.2.3	Placing the load	18
E.3	Unpacking	18
E.4	Disposal of packing	18
E.5	Storage	19
F	TECHNICAL DATA	19
F.1	Materials and fluids used	19
F.2	Main technical characteristics	19
G	INSTALLATION AND ASSEMBLY	19
G.1	Introduction	19
G.2	Customer's responsibilities	19
G.3	Positioning	19
G.4	Positioning a cooking module on the base	19
H	NORMAL APPLIANCE USE	20
H.1	Characteristics of personnel enabled to operate on the appliance	20
H.2	Basic requirements for appliance use	20
I	OPERATING INSTRUCTIONS	20
I.1	Description of control panel	20
I.2	Switching the appliance on	20
I.3	Control panel buttons	20
I.4	Signalling icons	21
I.5	Alarms	21
I.6	Product loading	21
J	APPLIANCE CLEANING AND MAINTENANCE	22
J.1	Ordinary maintenance	22
J.1.1	Care information	22
J.1.2	Cleaning introduction	22
J.1.3	Periods of non-use	22



K	APPLIANCE DISPOSAL.....	22
K.1	Procedure regarding appliance disposal.....	22
L	TROUBLESHOOTING.....	23
L.1	Introduction.....	23
L.2	Troubleshooting.....	23

## A WARNING AND SAFETY INFORMATION

### A.1 General information

To ensure safe use of the appliance and a proper understanding of the manual it is necessary to be familiar with the terms and typographical conventions used in the documentation. The following symbols are used in the manual to indicate and identify the various types of hazards:



#### **WARNING**

Danger for the health and safety of operators.



#### **WARNING**

Danger of electrocution - dangerous voltage.



#### **CAUTION**

Risk of damage to the appliance or the product.



#### **WARNING**

Risk of fire / Flammable materials



#### **IMPORTANT**

Important instructions or information on the product



Read the instructions before using the appliance



Clarifications and explanations






- Only specialised personnel are authorised to operate on the appliance.
- This appliance is not intended for use by persons (including children) with reduced physical, sensor or mental capabilities, or lack of experience and knowledge, unless they have been given supervision or instruction concerning use of appliance by a person responsible for their safety.
- Do not let children play with the appliance.
- Keep all packaging and detergents away from children.
- Cleaning and user maintenance shall not be made by children without supervision.
- Do not store explosive substances, such as pressurized containers with flammable propellant, in this appliance.
- Refer to the data given on the appliance's data plate for relations with the Manufacturer (e.g. when ordering spare parts, etc.).
- When scrapping the appliance, the marking must be destroyed.
- Save these instructions carefully for further consultation by the various operators.

### A.2 Description of type reference

CMP**HC	
CMP	Refrigerated Bases range
*	R (Row Compact line)
*	Model 36" 48" 72" N9 (N900)
HC	R290 refrigerant fluid

### A.3 Personal protection equipment

Summary table of the Personal Protection Equipment (PPE) to be used during the various stages of the appliance's service life.

Stage	Protective garments 	Safety footwear 	Gloves 	Glasses 	Safety helmet 
Transport	—	●	○	—	○
Handling	—	●	○	—	—
Unpacking	—	●	○	—	—
Installation	—	●	● <sup>1</sup>	—	—
Normal use	●	●	● <sup>2</sup>	—	—
Adjustments	○	●	—	—	—
Routine cleaning	○	●	● <sup>1-3</sup>	○	—
Extraordinary cleaning	○	●	● <sup>1-3</sup>	○	—
Maintenance	○	●	○	—	—
Dismantling	○	●	○	○	—
Scrapping	○	●	○	○	—
<b>Key:</b>					
●	<b>PPE REQUIRED</b>				
○	<b>PPE AVAILABLE OR TO BE USED IF NECESSARY</b>				
—	<b>PPE NOT REQUIRED</b>				

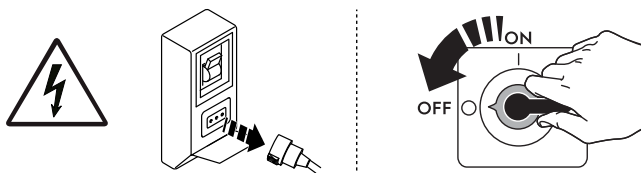
1. During these operations, gloves must be cut-resistant. Failure to use the personal protection equipment by operators, specialized personnel or users can involve exposure to damage to health (depending on the model).

2. During these operations, gloves must protect hands from the cold tray when being removed from the appliance. Failure to use the personal protection equipment by operators, specialised personnel or users can involve exposure to chemical risk and cause possible damage to health (depending on the model).

3. During these operations, gloves must be suitable for contact with chemical substances used (refer to the safety data sheet of the substances used for information regarding the required PPE). Failure to use the personal protection equipment by operators, specialized personnel or users can involve exposure to chemical risk and cause possible damage to health (depending on the model).

### A.4 General safety

- The appliances are provided with electric and/or mechanical safety devices for protecting workers and the appliance itself.
- Never operate the appliance, removing, modifying or tampering with the guards, protection or safety devices.
- Do not make any modifications to the parts supplied with the appliance.
- Several illustrations in the manual show the appliance, or parts of it, without guards or with guards removed. This is purely for explanatory purposes. Do not use the appliance without the guards or with the protection devices deactivated.



Disconnect the appliance from the power supply before carrying out any installation, assembly, cleaning or maintenance procedure.

- Do not remove, tamper with or make illegible the marking and safety, danger and instruction signs and labels on the appliance.
- The A-weighted emission sound pressure level does not exceed 70 dB(A).<sup>1</sup>
- The following operations have to be carried out by specialised authorised personnel or Customer Care Service provided with all the appropriate personal protection equipment (A.3 *Personal protection equipment*), tools, utensils and ancillary means, who can ask the manufacturer to supply a servicing manual:
  - Installation and assembly
  - Installation of the refrigerant fluid condensing unit
  - Positioning
  - Electrical connection
  - Appliance cleaning, repair and extraordinary maintenance
  - Appliance disposal
  - Work on electrical equipment
  - Dismantling operations of appliances which use R290 or R-744 (with a refrigeration system under high pressure)
  - Dismantling operations of appliances which use flammable insulation blowing gase;

1. The noise emission values have been obtained according to EN ISO 11204. The value could increase depending on the workplace where measured.



## A.5 Protection devices installed on the appliance

### Guards



The appliance has:

- fixed guards (e.g. casings, covers, side panels, etc.), fixed to the appliance and/or frame with screws or quick-release connectors that can only be removed or opened with tools; therefore the user must not remove or tamper with such devices. The Manufacturer declines any liability for damage due to tampering or their non-use;
- interlocked movable guards (door) for access inside the appliance;
- appliance electrical equipment access doors, made from hinged panels openable with tools. The door must not be opened when the appliance is connected to the power supply.

## A.6 Safety signs to be placed on the appliance or near its area

Prohibition	Meaning
	do not remove the safety devices
	do not use water to extinguish fires (placed on electrical parts)

Danger	Meaning
	caution hot surface
	danger of electrocution (shown on electrical parts with indication of voltage)

## A.7 Reasonably foreseeable improper use

Improper use is any use different from that specified in this manual. During appliance operation, other types of work or activities deemed improper and that in general can involve risks for the safety of operators and damage to the appliance are not allowed. Reasonably foreseeable improper use includes:

- lack of appliance maintenance, cleaning and periodical checks;
- structural changes or modifications to the operating logic;
- tampering with the guards or safety devices;
- failure to use personal protection equipment by operators, specialised personnel and maintenance personnel;
- failure to use suitable accessories (e.g. use of unsuitable equipment or ladders);
- keeping combustible or flammable materials, or in any case materials not compatible with or pertinent to the work, near the appliance;
- wrong appliance installation;
- placing in the appliance any objects or things not compatible with its use, or that can damage the appliance, cause injury or pollute the environment;
- climbing on the appliance;
- non-compliance with the requirements for correct appliance use;
- other actions that give rise to risks not eliminable by the Manufacturer.
- failure to insure complete closure of doors or drawers, through forgetfulness or carelessness
- place the product in the compartments so as to block proper air circulation or hinder the perfect closing of doors / drawers
- exceed product weight allowed for each shelf / drawer



### **WARNING**

The previously described actions are prohibited!

## A.8 Residual risks

The appliance has several risks that were not completely eliminated from a design standpoint or with the installation of adequate protection devices. Nevertheless, through this manual the Manufacturer has taken steps to inform operators of such risks, carefully indicating the personal protection equipment to be used by them. In order to reduce the risks, provide for sufficient spaces while installing the unit.

To preserve these conditions, the areas around the appliance must always be:

- kept free of obstacles (e.g. ladders, tools, containers, boxes, etc.);
- clean and dry;
- well lit.

For the Customer's complete information, the residual risks remaining on the appliance are indicated below: such actions are deemed improper and therefore strictly forbidden.

Residual risk	Description of hazardous situation
Slipping or falling	The operator can slip due to water, any liquid or dirt on the floor
Burns/abrasions (e.g. heating elements, cold pan, cooling circuit plates and pipes)	The operator deliberately or unintentionally touches some components inside the appliance without using protective gloves.
Electrocution	Contact with live parts during maintenance operations carried out with the electrical panel powered
Falling from above	The operator intervenes on the appliance using unsuitable systems to access the upper part (e.g. rung ladders, or climbs on it)
Crushing or injury	The specialised personnel may not correctly fix the control panel when accessing the technical compartment. The panel could close suddenly.
Tipping of loads	When handling the appliance or the packing containing it, using unsuitable lifting systems or accessories or with the unbalanced load
Chemical (refrigerant gas)	Inhalation of refrigerant gas. Therefore always refer to the appliance labels
Sudden closing of the door/drawers (if present, depending on the appliance type)	The operator for normal appliance use could suddenly and deliberately close (if present, depending on the appliance type): <ul style="list-style-type: none"> <li>• door/s</li> <li>• drawers</li> </ul>

## A.9 Technical data

- The data plate and the energy labelling refer to original manufactured configuration.
- The appliance that can operate at 50 Hz or 60 Hz does not need any setting by the user.

### Materials and fluids used

- R290 gas is potentially flammable and explosive. Take every possible precaution to prevent any risk linked to the nature of this gas during any routine and/or extraordinary operation carried out on the appliance.

## A.10 Climatic Class

The climatic class given on the data plate refers to the following values:

- CLIMATIC CLASS: 5
  - 43°C (IEC/EN 60335-2-89)
  - 40°C room with 40% relative humidity (EN 16825/EN ISO 22041).

## A.11 Transport, handling and storage

- Transport (i.e. transfer of the appliance from one place to another) and handling (i.e. transfer inside workplaces) must occur with the use of special and adequate means.
- Please refer to indications on packaging for stackability during transport, handling and storage.
- Do not stand under suspended loads during loading or unloading operations. Unauthorized personnel must not enter the work area.
- The weight of the appliance alone is not sufficient to keep it steady.
- For appliance lifting and anchoring, do not use movable or weak parts such as: casings, electrical raceways, pneumatic parts, etc.
- Do not push or pull the appliance to move it, as it may tip over. Use proper tool to lift the appliance.
- Arrange a suitable area with flat floor for appliance unloading and storage operations.
- Appliance transport, handling and storage personnel must be adequately instructed and trained regarding the safely use of lifting systems and personal protection equipment suitable for the type of operation carried out.
- When removing the anchoring systems, make sure the stability of the appliance parts does not depend on the anchoring and, therefore, that this operation does not cause the load to fall off the vehicle. Before unloading the appliance components, make sure all the anchoring systems are removed.

## A.12 Installation and assembly

- The installer must evaluate the minimum volume of the installation's environment necessary to reduce the risks related to danger caused by the flammability and toxicity of the refrigerant present in the appliance.
- The operations described must be carried out in compliance with the current safety regulations and provisions in force in the country of use.
- The appliance is not suitable for installation outdoors and/or in places exposed to atmospheric agents (rain, direct sunlight, etc.).

## A.13 Electrical connection

- The power supply system must be suitable for the rated current of the connected appliance; the connection must be carried out in compliance with the regulations and provisions in force in the country of use.
- The information regarding the appliance power supply voltage is given on the dataplate.
- Install between the power cable and the electric line a differential thermal-magnetic switch suitable for the absorption specified on the data plate, with contact gap enabling complete disconnection in category III overvoltage conditions and complying with the regulations in force.

For the correct sizing of the switch or plug, refer to the absorbed current specified on the appliance data plate.

- After making the connection, with the appliance running check that the power supply does not fluctuate by  $\pm 10\%$  the rated voltage.
- If the power cable is damaged, it must be replaced by the Customer Care Service or in any case by specialised personnel, in order prevent any risk.
- The manufacturer declines any liability for damage or injury resulting from breach of the above rules or non-compliance with the electrical safety regulations in force in the country where the appliance is used.

#### A.14 Electrical connection for appliances with cable without plug

- The connection point has an efficient earth contact and the mains voltage and frequency match that given on the data plate. In case of doubts regarding the efficiency of the earth wire, have the system checked by specialised personnel.
- The appliance must be permanently connected to the power supply, respecting the polarities:
  - brown/black<sup>2</sup>/gray<sup>2</sup>: phase
  - yellow/green: earth
  - blue: neutral
- An H05VV-F type power cable (code 60227 IEC 53) is used for the permanent connection to the mains; in case of replacement, use a type with at least these characteristics. When replacing the cable, the earth wire must be kept longer than the live and neutral wires.
- The differential thermal-magnetic switch must be lockable in the open position in case of maintenance.
- If using a plug, it must comply with the national installation rules. The plug must also be:
  - accessible after the appliance has been positioned
  - in the place of installation;
  - in a position always visible to the operator performing the intervention during maintenance operations;

#### A.15 Positioning

- Install the appliances, taking all the safety precautions required for this type of operation, also respecting the relevant fire-prevention measures.
- Prevent the areas where the appliance is installed to be polluted with corrosive substances (chlorine, etc.). The manufacturer declines any liability for corrosive effects due to external causes.

#### A.16 Appliance space limits

- Make sure to position the appliance at least 100 mm from any other appliances present in the room (in fact, close proximity can create problems of condensate forming on the walls of the appliance), also taking into consideration the space needed for door opening.

#### A.17 Product loading and unloading

- Cover or wrap food before placing it in the refrigerator and avoid putting very hot foods or steaming liquids inside.
- Do not use spray products for defrosting; in fact, they can be harmful to the health and/or damage the materials the appliance is made from.

##### WARNING:

- Do not use mechanical devices or other means to speed up the defrost process, unless recommended by the manufacturer.
- Do not damage the refrigerant circuit.
- Do not use electrical appliances inside the appliance compartments for storing frozen food, unless such equipment is recommended by the manufacturer.
- Keep the ventilation openings in the appliance casing free of any obstructions.

#### A.18 Maximum drawer load

Regarding the maximum load for each drawer, respect that given in the table below:

MAXIMUM DRAWER LOAD	
36" model drawers	25 kg
48" model drawers	40 kg
72" model drawers (small)	25 kg
72" model drawers (large)	40 kg
"N900" model drawers	40 kg

#### A.19 Appliance cleaning

- Do not touch the appliance with wet hands or feet or when barefoot.
- Use a ladder with suitable protection for work on appliances with high accessibility.
- Put the appliance in safe conditions before starting any cleaning operation.
- Respect the requirements for the various routine and extraordinary maintenance operations. Non-compliance with the instructions can create risks for personnel.
- Do not spray water or use water jets, steam cleaner or high pressure cleaner.

2. present only in appliances with three-phase power supply

## A.20 Cleaning the cabinet and accessories

- Pay attention to the selection and use of cleaning products in order to maintain proper appliance performance and safeness.
- Before using the appliance, clean all the internal parts and accessories with lukewarm water and neutral soap, or products that are over 90% biodegradable (in order to reduce the emission of pollutants into the environment), then rinse and dry thoroughly, where possible clean with dishwashing machine.
- Do not clean the appliance with detergents containing chlorine, solvent-based cleaning products (e.g. trichloro-ethylene), abrasive powders or agents, scouring pads or sponges that could damage the surfaces. Do not use organic solvent substances or essential oils. These substances could damage the parts of the appliance made from synthetic material.
- Do not use products (even if diluted) containing chlorine (sodium hypochlorite, hydrochloric or muriatic acid, etc.) to clean the floor under the appliance.

## A.21 Preventive Maintenance

In order to ensure the safety and performance of your equipment, it is recommended that service is undertaken by Electrolux Professional authorised engineers every 12 months, in accordance with Electrolux Professional Service Manuals. Please contact your local Electrolux Professional Service Centre for further details.

## A.22 Parts and accessories

Use only original accessories and/or spare parts. Failure to use original accessories and/or spare parts will invalidate the original manufacturer warranty and may render the appliance not compliant with the safety standard.

## A.23 Precautions for use and maintenance

- Risks mainly of a mechanical, thermal and electrical nature exist in the appliance. Where possible the risks have been neutralised:
  - directly, by means of adequate design solutions.
  - indirectly by using guards, protection and safety devices.
- Any anomalous situations are signalled on the control panel display.
- During maintenance several risks remain, as these could not be eliminated, and must be neutralised by adopting specific measures and precautions.
- Do not carry out any checking, cleaning, repair or maintenance operations on moving parts. Workers must be informed of this prohibition by means of clearly visible signs.
- Make sure to periodically check correct operation of all the safety devices and the insulation of electrical cables, which must be replaced if damaged.

In case of a significant anomaly (e.g. short circuits, wires coming out of the terminal block, motor breakdowns, worn electrical cable sheathing, etc.) the operator for normal appliance use must:

- immediately deactivate the appliance.

## A.24 Appliance maintenance

- The inspection and maintenance intervals depend on the actual appliance operating conditions and ambient conditions (presence of dust, damp, etc.), therefore precise time intervals cannot be given. In any case, careful and periodical appliance maintenance is advisable in order to minimise service interruptions.
- It is advisable to stipulate a preventive and scheduled maintenance contract with the Customer Care Service.
- Put the appliance in safe conditions before starting any maintenance operation.
- To guarantee appliance efficiency and correct operation, periodical maintenance must be carried out according to the instructions given in the manual.

## A.25 Maintenance intervals

It is advisable to carry out the checks with the frequency given in the following table:

Maintenance, inspections, checks and cleaning	Frequency	Responsibility
Ordinary cleaning <ul style="list-style-type: none"><li>• general cleaning of appliance and surrounding area</li></ul>	<ul style="list-style-type: none"><li>• Daily</li></ul>	<ul style="list-style-type: none"><li>• Operator</li></ul>
Mechanical protection devices <ul style="list-style-type: none"><li>• check their condition and for any deformation, loosening or removed parts</li></ul>	<ul style="list-style-type: none"><li>• Yearly</li></ul>	<ul style="list-style-type: none"><li>• Service</li></ul>
Control <ul style="list-style-type: none"><li>• check the mechanical part, for cracks or deformation, tightening of screws: check the readability and condition of words, stickers and symbols and restore if necessary</li></ul>	<ul style="list-style-type: none"><li>• Yearly</li></ul>	<ul style="list-style-type: none"><li>• Service</li></ul>
Appliance structure <ul style="list-style-type: none"><li>• tightening of main bolts (screws, fixing systems, etc.) of appliance</li></ul>	<ul style="list-style-type: none"><li>• Yearly</li></ul>	<ul style="list-style-type: none"><li>• Service</li></ul>
Safety signs <ul style="list-style-type: none"><li>• check the readability and condition of safety signs</li></ul>	<ul style="list-style-type: none"><li>• Yearly</li></ul>	<ul style="list-style-type: none"><li>• Service</li></ul>

Maintenance, inspections, checks and cleaning	Frequency	Responsability
Electrical control panel <ul style="list-style-type: none"> <li>check the electrical components installed inside the electrical control panel. Check the wiring between the electrical panel and appliance parts</li> </ul>	<ul style="list-style-type: none"> <li>Yearly</li> </ul>	<ul style="list-style-type: none"> <li>Service</li> </ul>
Electrical connection cable <ul style="list-style-type: none"> <li>check the connection cable (replace if necessary)</li> </ul>	<ul style="list-style-type: none"> <li>Yearly</li> </ul>	<ul style="list-style-type: none"> <li>Service</li> </ul>
General appliance overhaul <ul style="list-style-type: none"> <li>check all components, electrical equipment, corrosion, pipes...</li> </ul>	<ul style="list-style-type: none"> <li>Every 10 years<sup>3</sup></li> </ul>	<ul style="list-style-type: none"> <li>Service</li> </ul>

## A.26 Appliance disposal

- Make the appliance unusable by removing the power cable and any compartment closing devices, to prevent the possibility of someone becoming trapped inside.

## B WARRANTY TERMS AND EXCLUSIONS

If the purchase of this product includes warranty coverage, warranty is provided in line with local regulations and subject to the product being installed and used for the purposes as designed, and as described within the appropriate equipment documentation.

Warranty will be applicable where the customer has used only genuine spare parts and has performed maintenance in accordance with Electrolux Professional user and maintenance documentation made available in paper or electronic format.

Electrolux Professional strongly recommends using Electrolux Professional approved cleaning, rinse and descaling agents to obtain optimal results and maintain product efficiency over time.

The Electrolux Professional warranty does not cover:

- service trips cost to deliver and pick up the product;
- installation;
- training on how to use/operate;
- replacement (and/or supply) of wear and tear parts unless resulting from defects in materials or workmanship reported within one (1) week from the failure;
- correction of external wiring;
- correction of unauthorized repairs as well as any damages, failures and inefficiencies caused by and/or resulting from:
  - insufficient and/or abnormal capacity of the electrical systems (current/voltage/frequency, including spikes and/or outages);
  - inadequate or interrupted water supply, steam, air, gas (including impurities and/or other that does not comply with the technical requirements for each appliance);
  - plumbing parts, components or consumable cleaning products that are not approved by the manufacturer;

- customer's negligence, misuse, abuse and/or non-compliance with the use and care instructions detailed within the appropriate equipment documentation;

- improper or poor: installation, repair, maintenance (including tampering, modifications and repairs carried out by third parties not authorized) and modification of safety systems;

- Use of non-original components (e. g.: consumables, wear and tear, or spare parts);

- environment conditions provoking thermal (e. g. overheating/freezing) or chemical (e. g. corrosion/oxidation) stress;

- foreign objects placed in- or connected to- the product;

- accidents or force majeure;

- transportation and handling, including scratches, dents, chips, and/or other damage to the finish of the product, unless such damage results from defects in materials or workmanship and is reported within one (1) week of delivery unless otherwise agreed;

- product with original serial numbers that have been removed, altered or cannot be readily determined;
- replacement of light bulbs, filters or any consumable parts;
- any accessories and software not approved or specified by Electrolux Professional.


Warranty does not include scheduled maintenance activities (including the parts required for it) or the supply of cleaning agents unless specifically covered within any local agreement, subject to local terms and conditions.

Check on Electrolux Professional website the list of authorized customer care.

## C APPLIANCE AND MANUFACTURER'S IDENTIFICATION DATA

The data plate gives the product identification and technical data.

An example of the marking or data plate on the appliance is given below:


F.Mod. XXXXXXXXX PNG 9V7X XXXXXXXX W Tot. xxx kW	Comm. Model XXXXXXXXX Ser.Nr. XXXXXXXX Volt xxxV xxx xxHz	Type ref. XXXXXX Cyclopentane Total Current XX A	2019
Potenza Sbrinamento / Defrost Power Resistenza Evaporazione / Evaporation Heater EL Illuminazione / Lighting	xxx kW X kW X W	Classe / Class X GWP XXXX Refrigerante / Refrigerant XXXXX Cap. X	CO2-eq XXX t XX Kg
IPxx		CE 	
Electrolux Professional SPA - Viale Treviso, 15 - 33170 Pordenone (Italy)			

- the appliance is designed and built for a duration of about 10 years. After this period of time (from commissioning) the appliance must undergo a general inspection and overhaul.



The meaning of the various information given on it is listed below:

F.Mod.	factory description of product
Comm.Mod.	commercial description
PNC	production number code
Ser.No.	serial number
Type ref.	certification group of the appliance
Cyclopentane	expanding gas used in insulation
V	power supply voltage
Hz	power supply frequency
kW	power input
A	absorbed current

Evaporation heater EI.	evaporation heating element power
Class	climatic class
GWP	global warming potential
CO2 eq	quantity of greenhouse gases
Lighting	internal light
Cap.	nominal capacity
Refrigerant	type of refrigerant gas
Defrost power	current absorbed
CE	CE marking
	WEEE symbol
IPX3	dust and water protection rating

## D GENERAL INFORMATION



### WARNING

Refer to “*Warning and Safety Information*”.

#### D.1 Introduction

The drawings and diagrams given in the manual are not in scale. They supplement the written information with an outline, but are not intended to be a detailed representation of the appliance supplied.

The numerical values given on the appliance installation diagrams refer to measurements in millimeters and/or inches.

#### D.2 Intended use and restrictions

This appliance is designed for the refrigeration and preservation of foods.

Any other use is deemed improper.



#### NOTE!

The manufacturer declines any liability for improper use of the product.

#### D.3 Testing and inspection

Our appliances have been designed and optimized, with laboratory testing, in order to obtain high performance and efficiency.

The appliance is shipped ready for use.

Passing of the tests (visual inspection - electrical test - functional test) is guaranteed and certified by the specific enclosures.

#### D.4 Copyright

This manual is intended solely for consultation by the operator and can only be given to third parties with the permission of Electrolux Professional company.

#### D.5 Keeping the manual

The manual must be carefully kept for the entire life of the appliance, until scrapping. The manual must stay with the appliance in case of transfer, sale, hire, granting of use or leasing.

#### D.6 Recipients of the manual

This manual is intended for:

- the carrier and handling personnel;
- installation and commissioning personnel;
- the employer of appliance users and the workplace manager;
- operators for normal appliance use;
- specialised personnel - Customer Care service (see service manual).

#### D.7 Definitions

Listed below are the definitions of the main terms used in the manual. It is advisable to read them carefully before use.

Operator	appliance installation, adjustment, use, maintenance, cleaning, repair and transport personnel.
Manufacturer	Electrolux Professional SpA or any other service centre authorised by Electrolux Professional SpA.
Operator for normal appliance use	an operator who has been informed and trained regarding the tasks and hazards involved in normal appliance use.
Customer or specialised personnel	an operator instructed/trained by the Care service and who, based on his professional and specific training, experience and knowledge of the accident-prevention regulations, is able to appraise the operations to be carried out on the appliance and recognise and prevent any risks. His professionalism covers the mechanical, electrotechnical and electronics fields etc.
Danger	source of possible injury or harm to health.
Hazardous situation	any situation where an operator is exposed to one or more hazards.
Risk	a combination of probabilities and risks of injury or harm to health in a hazardous situation.
Protection devices	safety measures consisting of the use of specific technical means (guards and safety devices) for protecting operators against risks.
Guard	an element of a appliance used in a specific way to provide protection by means of a physical barrier.
Safety device	a device (other than a guard) that eliminates or reduces the risk; it can be used alone or in combination with a guard.
Customer	the person who purchased the appliance and/or who manages and uses it (e.g. company, entrepreneur, firm).
Electrocution	an accidental discharge of electric current on a human body.

#### D.8 Responsibility

The Manufacturer declines any liability for damage and malfunctioning caused by:

- non-compliance with the instructions contained in this manual;
- repairs not carried out in a workmanlike fashion, and replacements with parts different from those specified in the spare parts catalogue (the fitting and use of non-original spare parts and accessories can negatively affect appliance

operation and invalidates the original manufacturer warranty);

- operations carried out by non-specialised personnel;
- unauthorized modifications or operations;
- missing, lack or inadequate maintenance;
- improper appliance use;
- unforeseeable extraordinary events;
- use of the appliance by uninformed and / or untrained personnel;
- non-application of the current provisions in the country of use, concerning safety, hygiene and health in the workplace.

The Manufacturer declines any liability for damage caused by arbitrary modifications and conversions carried out by the user or the Customer.

The employer, workplace manager or service technician are responsible for identifying and choosing adequate and suitable personal protection equipment to be worn by operators, in compliance with regulations in force in the country of use.

The Manufacturer declines any liability for inaccuracies contained in the manual, if due to printing or translation errors.

Any supplements to the installation, use and maintenance manual the Customer receives from the Manufacturer will form an integral part of the manual and therefore must be kept together with it.

## E TRANSPORT, HANDLING AND STORAGE



### WARNING

Refer to “*Warning and Safety Information*”.

### E.1 Introduction

Transport (i. e. transfer of the appliance from one place to another) and handling (i. e. transfer inside workplaces) must occur with the use of special and adequate means.



### CAUTION

The appliance must only be transported, handled and stored by specialised personnel, who must have:

- specific technical training and experience in the use of lifting systems;
- knowledge of the safety regulations and applicable laws in the relevant sectors;
- knowledge of the general safety rules;
- personal protection equipment suitable for the type of operation carried out;
- the ability to recognize and avoid any possible hazard.

### E.2 Handling

Arrange a suitable area with flat floor for appliance unloading and storage operations.



### CAUTION

The appliances must be handled in the upright position. If the appliance is handled in a horizontal position, make sure to wait a few hours before making it operational.

#### E.2.1 Procedures for handling operations

##### Before lifting:

- send all operators to a safe position and prevent persons from entering the handling area;
- make sure the load is stable;
- make sure no material can fall during lifting. Manoeuvre vertically in order to avoid impacts;
- handle the appliance, keeping it at minimum height from the ground.

##### For correct and safe lifting operations:

- use the type of equipment most suitable for characteristics and capacity (e.g. electric pallet truck or lift truck);
- cover sharp edges;
- check the forks and lifting procedures according to the instructions given on the packing.

#### E.2.2 Shifting

##### The operator must:

- have a general view of the path to be followed;
- stop the manoeuvre in case of hazardous situations.

#### E.2.3 Placing the load

- Before placing the load, make sure the way is free and that the floor is flat and can take the load.
- Remove the appliance from the wooden pallet, move it to one side, then slide it onto the floor.

### E.3 Unpacking



### IMPORTANT

Immediately check for any damage caused during transport. Inspect the packaging before and after unloading.

1. Remove the packaging.  
Take care when unpacking and handling of the appliance to not cause any shocks on itself.
2. Keep all the documentation contained in the packaging.

#### Note

- The forwarder is responsible for the goods during transport and delivery.
- Make a complaint to the forwarder in case of visible or hidden damage.
- Specify any damage or shortages on the dispatch note.
- The driver must sign the dispatch note: the forwarder can reject the claim if the dispatch note is not signed (the forwarder can provide the necessary form).
- For hidden damage or shortages becoming apparent only after unpacking, request the forwarder for inspection of the goods within and no later than 15 days after delivery.




#### Unpack the appliance carrying out the following operations:

- if present, cut the straps and remove the protective film, taking care not to scratch the surface if scissors or blades are used;
- if present, remove the cardboard top, the polystyrene corners and the vertical protection pieces;
- for appliances with stainless steel surfaces, remove the protective film very slowly without tearing it, to avoid leaving glue stuck to the surface;
- should this happen, remove the traces of glue with a non-corrosive solvent, rinsing it off and drying thoroughly;
- it is advisable to go over all the stainless steel surfaces with a rag soaked in paraffin oil in order to create a protective film.

### E.4 Disposal of packing

The packing must be disposed of in compliance with the current regulations in the country where the appliance is used. All the packing materials are environmentally friendly.

They can be safely kept, recycled, or burned in an appropriate waste incineration plant. Recyclable plastic parts are marked as follows:

 PE	<b>Polyethylene</b> <ul style="list-style-type: none"> <li>• Outer wrapping</li> <li>• Instructions bag</li> </ul>
 PP	<b>Polypropylene</b> <ul style="list-style-type: none"> <li>• Straps</li> </ul>
 PS	<b>Polystyrene foam</b> <ul style="list-style-type: none"> <li>• Corner protectors</li> </ul>

The parts in wood and cardboard can be disposed of, respecting the current regulations in the country where the appliance is used.

## F TECHNICAL DATA



### WARNING

Refer to “*Warning and Safety Information*”.

### F.1 Materials and fluids used

The areas in contact with the product are in steel or coated with non-toxic plastic material.

The fluorinated gases are contained in a hermetically sealed device.

## E.5 Storage

The appliance and/or its parts must be stored and protected from damp, in a non-aggressive place, free of vibrations and with room temperatures between 5°C and 50°C.

The place where the appliance is stored must have a flat support surface to avoid deforming the appliance or damage to the support feet.



### CAUTION

Do not make modifications to the parts supplied with the appliance. Any missing or faulty parts must be replaced with original parts.

The appliance must be levelled, otherwise its operation could be affected.

## G INSTALLATION AND ASSEMBLY

### G.1 Introduction



### WARNING

Refer to “*Warning and Safety Information*”.

To ensure correct operation of the appliance and maintain safe conditions during use, carefully follow the instructions given below in this section.



### CAUTION

Before moving the appliance make sure the load bearing capacity of the lifting equipment used is suitable for its weight.



### NOTE!

Appliances with incorporated refrigerating unit must be handled upright. If the appliance is handled in a horizontal position, make sure to wait a few hours in upright position before making it operational.

### G.2 Customer's responsibilities

The tasks and works required of the Customer are:

- check the floor planarity on which the appliance is placed;
- arrange an earthed power socket of suitable capacity for the input specified on the data plate;
- provide a high sensitivity manual-reset differential thermal magnetic switch;



### NOTE!

For information regarding the electrical connection, refer to “A.13 *Electrical connection*”.

### F.2 Main technical characteristics

Power supply voltage V	220–240V 50 Hz or 60 Hz
Temperature range in compartment	- 22°C/+ 8°C

### G.3 Positioning

Install the appliance in a ventilated place, away from heat sources such as radiators or air conditioning systems, to allow correct cooling of the refrigerating unit components.

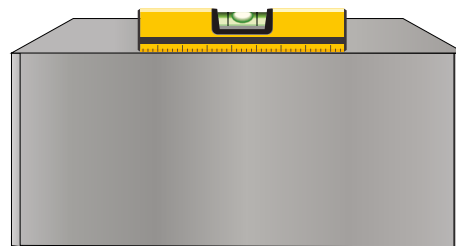
To avoid compromising proper appliance operation, never (even temporarily) cover the condenser or the front panel slits.

The appliance must be taken to the place of installation and removed from the packing base only when being installed.

Arranging the appliance:

- position the appliance in the required place;
- make sure the appliance is level, also checking door and drawer closing;

The appliance must be levelled, otherwise its operation could be affected.



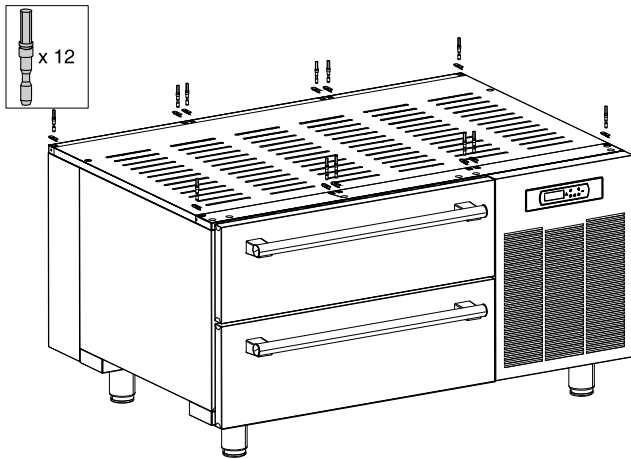
### G.4 Positioning a cooking module on the base



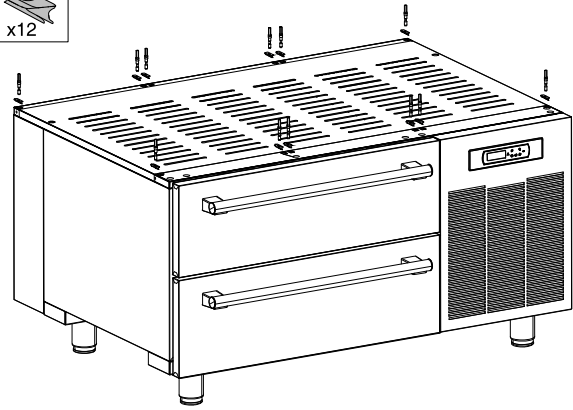
### CAUTION

Handle the cooking module by gripping it at the front and back and not by the sides.

- Check if the module to be installed already has hooking pins in place of the feet.
  - If the module does not have these pins, remove the feet and fit the necessary pins.
- The base comes with 12 hooking pins.



- Check that the spring catches are present on the top of the base;



- Position the cooking module on the base, making sure to centre the pins in the spring catches.
- Carry out the cooking module gas and electrical connections as described in the respective manual.

## H NORMAL APPLIANCE USE

### H.1 Characteristics of personnel enabled to operate on the appliance

The Customer must make sure the personnel for normal appliance use are adequately trained and skilled in their duties. The operator must:

- read and understand the manual;
- receive adequate training and instruction for their duties in order to operate safely;
- receive specific training for correct appliance use.



#### IMPORTANT

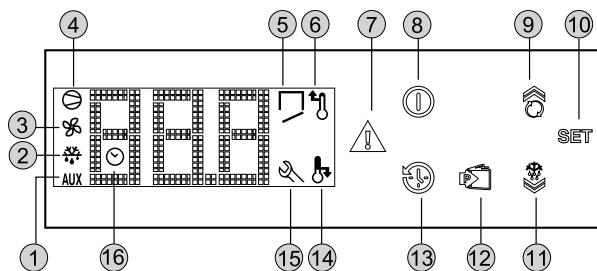
The Customer must make sure his personnel have understood the instructions received and in particular those regarding work hygiene and safety in use of the appliance.

### H.2 Basic requirements for appliance use

- Knowledge of the technology and specific experience in operating the appliance.
- Adequate general basic education and technical knowledge for reading and understanding the contents of the manual, including correct interpretation of the drawings, signs and pictograms.
- Sufficient technical knowledge for safely performing his duties as specified in the manual.
- Knowledge of the regulations on work hygiene and safety.

## I OPERATING INSTRUCTIONS

### I.1 Description of control panel




1. Auxiliary users on signalling icon
2. Defrost cycle activated signalling icon
3. Compartment fans on signalling icon
4. Compressor on signalling icon
5. Door Open alarm signalling icon
6. High temperature alarm signalling icon
7. Reset alarm button
8. ON/OFF button
9. UP/Continuous Cycle button
10. Set button
11. Defrost/Down button
12. Programme selection button
13. History button
14. Low temperature alarm signalling icon

15. Assistance alarm signalling icon
16. History function on signalling icon

### I.2 Switching the appliance on

Connect the power cable to a power socket. The instrument display performs a Lamp Test and the message OFF will appear.



To activate and deactivate the appliance press the button  for 5 seconds.


The display will show the message ON (for activation) or OFF (for deactivation).

Even if the appliance is deactivated with the ON/OFF button it still remains powered.

This button only disconnects the power to the loads connected to the instrument.

### I.3 Control panel buttons




- **Up-Down buttons**   
Up for increasing the values;  
Down for decreasing the values;
- **Continuous cycle button** 

Press the button  more than 5 seconds to activate the Turbo Cooling "TC" cycle function (the message ccb=start appears); the temperature reinstatement function is activated, skipping Defrost. During the continuous cycle the compressor remains on; the low temperature alarm is deactivated; the message TC and the temperature value alternate on the display.

The continuous cycle ends:

- when the button is pressed (the message cce=end appears);
- when the minimum foreseen temperature is reached;
- when the maximum duration (time 1h) is reached;
- when the instrument is switched off.

#### • Set button

Press for more than 1 second to display and/or set the **setpoint**. To increase or decrease the values use the buttons  . To confirm the new value, press the Set button .

#### • Defrost button



#### IMPORTANT

Do not use mechanical devices or other means to speed up the defrost process, unless recommended by the manufacturer.

Do not damage the circuit.

The appliance has an automatic defrost function. A manual defrost cycle can be started by keeping the button pressed for at least 5 seconds (the display shows the message dFb).

This function is signalled by lighting up of the defrost icon



. Defrost is with forced ventilation only for refrigerated models with compartment set point higher than or equal to "+2".

Defrost can be stopped manually by pressing the button for a few seconds (the display shows the message dFE). Defrost cannot be activated in the continuous cycle programming phase. If the continuous cycle is activated and the button is pressed, defrost will be carried out at the end.


#### • Programme selection button



It is used in the HISTORY function (see the following paragraph). Pressing this button also brings up the Technical Menu, which cannot be modified.


#### • History button


Records the temperature every 24 hours from activation, for a total of 62 saves.


Records high/low temperature alarms. The first press of the


button  brings up the list of daily recorded values (t00=current day; t01, t02, t03, etc.=recording days going back).

Use the buttons   to display the temperatures of previous days.






Press the Set button  to display the recorded temperature of that period; to return to the list of stored

values press the button .

Press the button  for a few seconds to exit the History function. At least 24 hours must pass after installation of the appliance before the first temperature can be recorded.

Keeping the button  pressed for a few seconds resets the previous recordings.


## I.4 Signalling icons

	lit up	Compressor in use
	lit up	Manual defrost function in progress
	lit up	Fan in use (if present)
<b>AUX</b>	lit up	Auxiliary users activation (if present)
	lit up	Service alarm during appliance operation
	lit up	History function in use

## I.5 Alarms


### • Compartment high temperature alarm

This icon lights up and an audible alarm sounds when the compartment temperature exceeds the set maximum value. The alarm ceases when the temperature returns to the Set Point. A timer, which counts the alarm duration time until it is silenced, is also activated. Pressing the History button displays the code HI and then in sequence, pressing the

button  the number of hours since the alarm occurred. To deactivate the icon, briefly press on it.

### • Compartment low temperature alarm


This icon lights up and an audible alarm is activated when the compartment temperature exceeds the set minimum value. The alarm ceases when the temperature returns to the Set Point. A timer, which counts the alarm duration time until it is silenced, is also activated. Pressing the History button displays the code LO and then in sequence, pressing

the button , the number of days since the alarm occurred. To deactivate the icon, briefly press on it.

### • Service Alarm

The message is signalled by lighting up of the icon. Signalling also occurs with the respective code appearing on the display and the activation of an audible alarm (see section L.2 *Troubleshooting*).

Alarms can be silenced by pressing on the reset alarm

button ; the value indicated on the display is also automatically reset.

## I.6 Product loading

The drawers are GN compliant. They can be equipped with size 2/1 GN and 1/1 GN containers, or standard size containers (FULL SIZE) and smaller size containers (HALF SIZE).



#### IMPORTANT

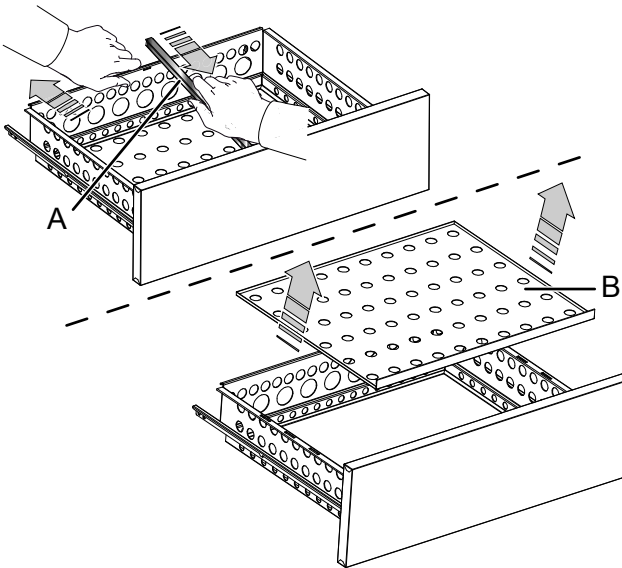
- Distribute the product evenly inside the compartment (away from the door and back) in order to allow good air circulation.

It is advisable to keep the keys (for models with lock) in a place only accessible to authorised personnel.

To prevent unauthorised personnel from using the appliance, it is advisable to always close it with the key.

The appliance is supplied with the accessory **A** positioned in the provided brackets the middle of the drawer to prevent smaller containers from sliding off.

Once the accessory **A** is removed, lift drawer base **B** up and out.



## J APPLIANCE CLEANING AND MAINTENANCE



### WARNING

Refer to “*Warning and Safety Information*”.

#### J.1 Ordinary maintenance

##### J.1.1 Care information

Care operations have to be carried out by the owner and/or user of the appliance.



#### IMPORTANT

Problems resulting from poor or lack of care as hereinafter described will not be covered by the warranty.

##### J.1.2 Cleaning introduction

For detailed information regarding appliance cleaning refer to paragraph A.20 *Cleaning the cabinet and accessories*.

##### J.1.3 Periods of non-use

If the appliance is not going to be used for some time, take the following precautions:

- disconnect the power supply or remove the plug from the power socket, if present;
- carefully clean the internal parts of the appliance;
- remove all food from the compartment and clean the inside and accessories;
- clean the cabinet, going over all the stainless steel surfaces vigorously with a rag moistened with paraffin oil to create a protective film;
- leave the door or drawers, if present, open so that air can circulate inside, preventing the formation of unpleasant odours;
- periodically air the premises.

## K APPLIANCE DISPOSAL



### WARNING

Refer to “*Warning and Safety Information*”.

#### K.1 Procedure regarding appliance disposal

At the end of the product's life-cycle, make sure it is not dispersed in the environment.

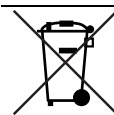
Different regulations are in force in the various countries, therefore comply with the provisions of the laws and competent bodies in the country where appliance disposal takes place.

Before disposing of the appliance, make sure to carefully check its physical condition, and in particular any parts of the structure that can give or break during dismantling.

The appliance's parts must be disposed in a differentiated way, according to their different characteristics (e. g. metals, oils, greases, plastic, rubber, etc.) remembering that the compressor contains lubricant oil and refrigerant fluid which can be

recycled, and that the refrigerator components are special waste assimilable with urban waste.

Depending on the model, the doors must be removed before dismantling the appliance.



The symbol on the product indicates that this product should not be treated as domestic waste, but must be correctly disposed of in order to prevent any negative consequences for the environment and human health. For further information on the recycling of this product, contact the local dealer or agent, the Customer Care service or the local body responsible for waste disposal.



#### NOTE!

When dismantling the appliance, any marking, this manual and other documents concerning the appliance must be destroyed.

## L TROUBLESHOOTING

### L.1 Introduction

Certain faults may occur during normal use of the appliance. In some cases, faults can be eliminated easily and quickly by following the indication below.

The display, if present, always shows a warning message or alarm describing the occurring fault.

**If the fault persists, contact the Customer Care Service:**

1. disconnect the appliance from the main power supply;
2. switch off the safety circuit breaker ahead of the appliance;
3. close the gas and water tap(s), if they are present;

4. Remember to specify:

- the type of fault
- the appliance PNC (product number code)
- the Ser. No. (appliance serial number).



#### IMPORTANT

The appliance PNC and serial number are essential for identifying the type of appliance and date of manufacture.

The dataplate giving the product and technical data is located inside the appliance. The plate giving the appliance PNC code and serial number is located in the unit compartment.

### L.2 Troubleshooting

ANOMALY	TYPE OF ANOMALY	DESCRIPTION	POSSIBLE CAUSES	ACTIONS
E0 rE	ALARM	Compartment sensor fault	<ul style="list-style-type: none"> <li>• Connector unplugged</li> <li>• Probe and/or Probe wire damaged</li> </ul>	CALL SERVICE
E1	ALARM	Evaporator sensor fault	<ul style="list-style-type: none"> <li>• Connector unplugged</li> <li>• Probe and/or Probe wire damaged</li> </ul>	CALL SERVICE
HI	WARNING	Compartment high temperature alarm	<ul style="list-style-type: none"> <li>• Door or drawers left opened</li> <li>• Excessive load</li> <li>• Malfunctioning on the cooling unit</li> </ul>	If the problem persist Call Service
LO	WARNING	Compartment low temperature alarm	<ul style="list-style-type: none"> <li>• Malfunctioning on the cooling unit</li> </ul>	If the problem persist call service
The appliance does not switch on.	-----	-----	<ul style="list-style-type: none"> <li>• Electric supply issue</li> </ul>	<ul style="list-style-type: none"> <li>• Make sure the plug is properly inserted in power socket.</li> <li>• Make sure the socket is powered.</li> <li>• If the problem persists Call Service.</li> </ul>
The inside temperature is too high.	-----	-----	<ul style="list-style-type: none"> <li>• Door or drawers left open</li> <li>• Issue with thermostat setting</li> <li>• Excessive load</li> <li>• Heat source near the appliance</li> </ul>	<ul style="list-style-type: none"> <li>• Make sure the doors or the drawers close properly.</li> <li>• Check the thermostat setting.</li> <li>• Make sure there is no heat source near the appliance.</li> <li>• Make sure the product is correctly loaded.</li> <li>• If the problem persists Call Service.</li> </ul>
The appliance is too noisy.	-----	-----	<ul style="list-style-type: none"> <li>• Unit unlevelled or touching other equipment</li> </ul>	<ul style="list-style-type: none"> <li>• Make sure the appliance is properly levelled. An unbalanced position can set off vibrations.</li> <li>• Make sure the appliance is not touching other equipment or parts which could reverberate.</li> <li>• If the problem persists Call Service.</li> </ul>







CE