

Thawing cabinet

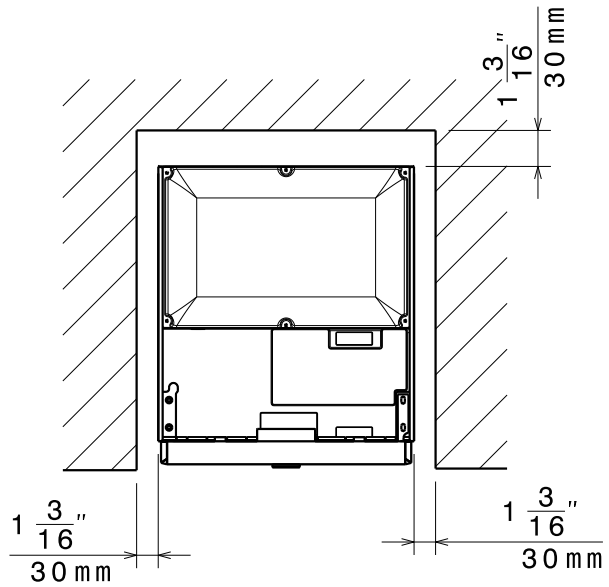
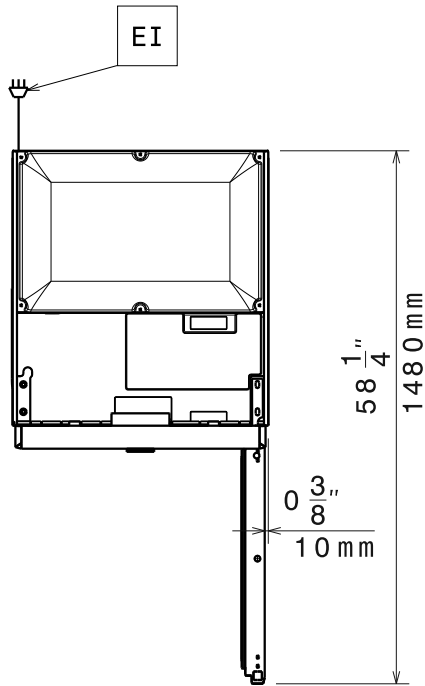
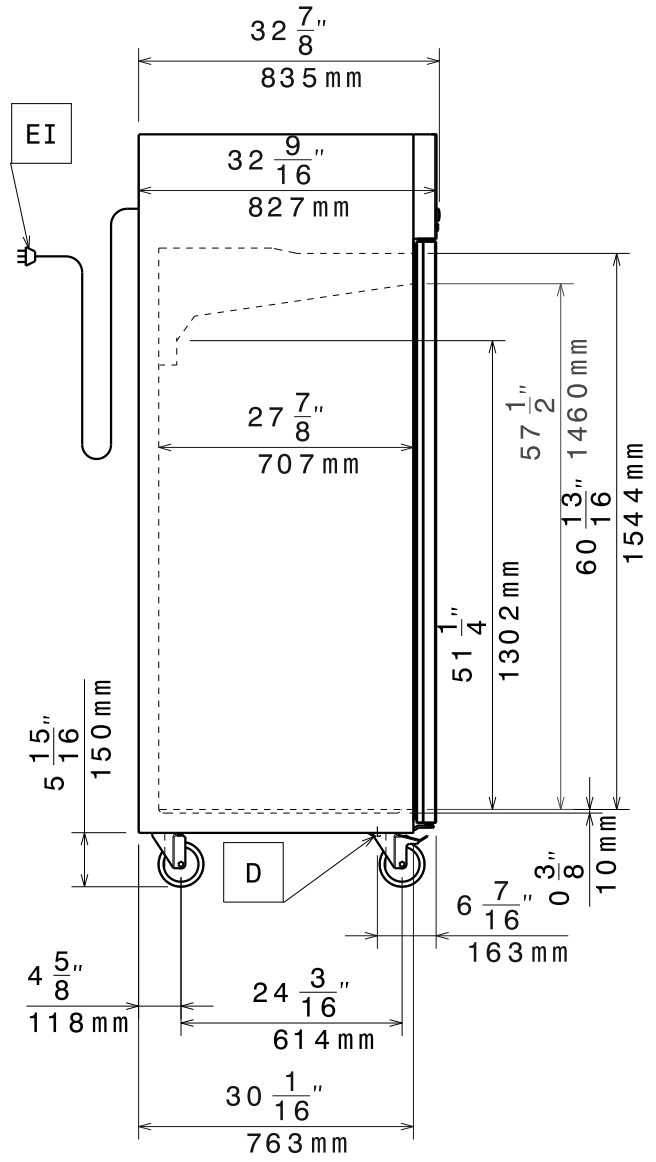
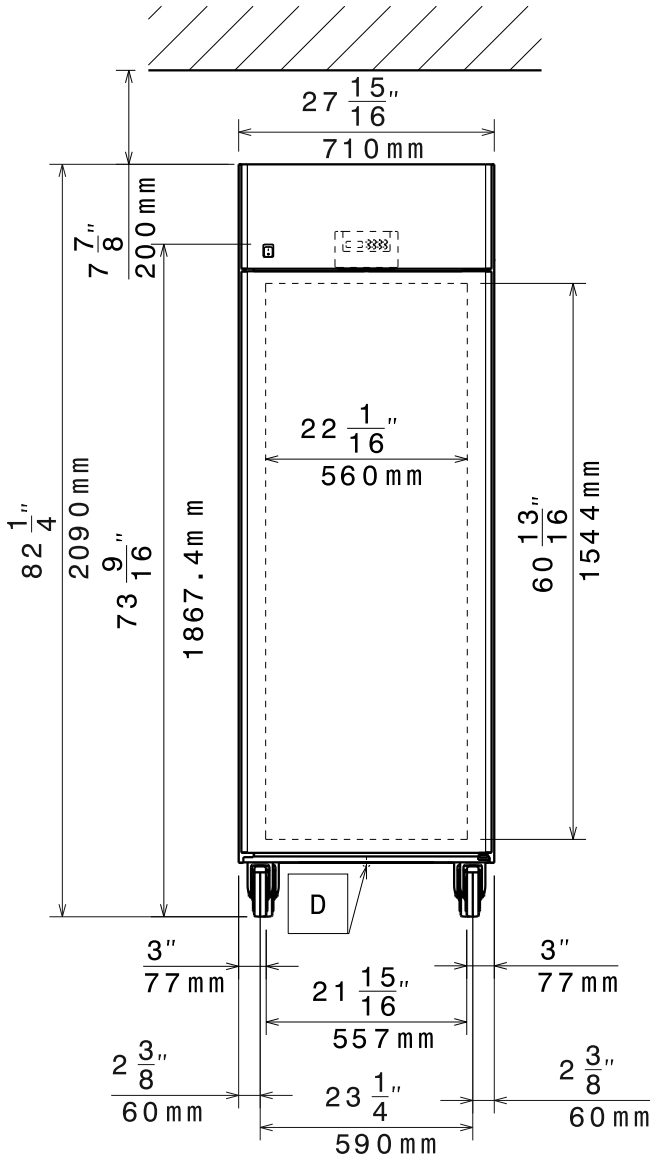


EN-US Installation and Operating manual



Installation diagram

Model 1 door





EI = Power cable length

Foreword

 Read the following instructions, including the warranty terms before installing and using the appliance.

Visit our website www.electroluxprofessional.com and open the Support section to:

-  Register your product
 -  Get hints & tips of your product, service and repair information
-

The installation, use and maintenance manual (hereinafter Manual) provides the user with information necessary for correct and safe use of the appliance.

The following must not be considered a long and exacting list of warnings, but rather a set of instructions suitable for improving appliance performance in every respect and, above all, preventing injury to persons and animals and damage to property due to improper operating procedures.

All persons involved in appliance transport, installation, commissioning, use and maintenance, repair and disassembly must consult and carefully read this manual before carrying out the various operations, in order to avoid wrong and improper actions that could compromise the appliance's integrity or endanger people. Make sure to periodically inform the user regarding the safety regulations. It is also important to instruct and update personnel authorised to operate on the appliance, regarding its use and maintenance.

The manual must be available to operators and carefully kept in the place where the appliance is used, so that it is always at hand for consultation in case of doubts or whenever required.

If, after reading this manual, there are still doubts regarding appliance use, do not hesitate to contact the Manufacturer or the authorised Service Centre to receive prompt and precise assistance for better operation and maximum efficiency of the appliance. During all stages of appliance use, always respect the current regulations on safety, work hygiene and environmental protection. It is the user's responsibility to make sure the appliance is started and operated only in optimum conditions of safety for people, animals and property.



IMPORTANT

- The manufacturer declines any liability for operations carried out on the appliance without respecting the instructions given in this manual.
- The manufacturer reserves the right to modify the appliances presented in this publication without notice.
- No part of this manual may be reproduced.
- This manual is available in digital format by:
 - contacting the dealer or reference customer care;
 - downloading the latest and up to date manual on the web site www.electroluxprofessional.com;
- The manual must always be kept in an easily accessed place near the appliance. Appliance operators and maintenance personnel must be able to easily find and consult it at any time.



IMPORTANT

NOTWITHSTANDING ANY PROVISION TO THE CONTRARY, ELECTROLUX PROFESSIONAL SHALL NOT BE RESPONSIBLE FOR AND HEREBY DECLINES AND DISCLAIMS ALL LIABILITY FOR HAZARDS RELATING TO THE MAINTENANCE OF FOOD SAFETY (INCLUDING RISK OF SERIOUS INJURY, DISABILITY, AND/OR DEATH RELATING TO FOOD BORNE ILLNESSES) AND COMPLIANCE WITH FOOD SAFETY REGULATIONS. OPERATORS SHALL MONITOR FOOD TEMPERATURES AND ENSURE THAT FOOD IS MAINTAINED AT SAFE TEMPERATURES. WITHOUT LIMITING THE FOREGOING, MANUFACTURER DECLINES AND DISCLAIMS ALL LIABILITY FOR IMPROPER PROGRAMING AND USE OF THE PRODUCT BY OPERATOR.

Contents

| | |
|--|----|
| Foreword | 4 |
| A Warning and Safety Information | 7 |
| A.1 General information | 7 |
| A.2 Description of type reference | 7 |
| A.3 Personal protection equipment | 8 |
| A.4 General safety | 8 |
| A.5 Protection devices installed on the appliance | 9 |
| A.6 Safety signs to be placed on the appliance or near its area | 9 |
| A.7 Reasonably foreseeable improper use | 9 |
| A.8 Residual risks | 9 |
| A.9 Technical data | 10 |
| A.10 Climatic Class | 10 |
| A.11 Transport, handling and storage | 10 |
| A.12 Installation and assembly | 10 |
| A.13 Electrical connection | 10 |
| A.14 Electrical connection for appliances with plug | 11 |
| A.15 Appliance space limitations | 11 |
| A.16 Positioning | 11 |
| A.17 Product loading and unloading | 11 |
| A.18 Maximum load | 11 |
| A.19 Appliance cleaning | 11 |
| A.20 Cleaning the cabinet and accessories | 11 |
| A.21 Preventive Maintenance | 12 |
| A.22 Parts and accessories | 12 |
| A.23 Precautions for use and maintenance | 12 |
| A.24 Appliance maintenance | 12 |
| A.25 Maintenance intervals | 12 |
| A.26 Appliance disposal | 13 |
| B WARRANTY | 13 |
| B.1 Warranty terms and exclusions | 13 |
| C Appliance and manufacturer's identification data | 14 |
| D General information | 14 |
| D.1 Introduction | 14 |
| D.2 Intended use and restrictions | 14 |
| D.3 Testing and inspection | 14 |
| D.4 Copyright | 14 |
| D.5 Keeping the manual | 14 |
| D.6 Recipients of the manual | 14 |
| D.7 Definitions | 14 |
| D.8 Responsibility | 15 |
| D.9 Customer packaging checks | 15 |
| D.10 Storage | 15 |
| E Technical data | 15 |
| E.1 Materials and fluids used | 15 |
| E.2 Main technical characteristics | 15 |
| F Installation and assembly | 15 |
| F.1 Introduction | 15 |
| F.2 Customer's responsibilities | 16 |
| F.3 Unpacking instructions | 16 |
| F.4 Disposal of packing | 16 |
| F.5 Positioning | 16 |
| F.6 Plumbing connection (only if present) | 16 |
| F.7 Reversing opening of fully insulated doors | 16 |
| G Normal appliance use | 17 |
| G.1 Characteristics of personnel enabled to operate on the appliance | 17 |
| G.2 Basic requirements for appliance use | 18 |
| H OPERATING | 18 |
| H.1 Description of control panel | 18 |
| H.2 Description of icons and leds | 18 |
| H.3 Switching the appliance on and activation of thawing cycles | 18 |
| H.4 Automatic defrost | 18 |
| H.5 Loading the product | 19 |
| H.5.1 Dividing tray for reduced charge | 19 |
| I appliance cleaning and maintenance | 19 |
| I.1 Ordinary maintenance | 19 |
| I.1.1 Care information | 19 |
| I.1.2 Cleaning introduction | 19 |
| I.1.3 Compartment cleaning | 19 |
| I.1.4 Replacing door gasket | 20 |
| I.1.5 Periods of non-use | 21 |
| J appliance disposal | 21 |
| J.1 Procedure regarding appliance disposal | 21 |
| K troubleshooting | 21 |
| K.1 Introduction | 21 |

A WARNING AND SAFETY INFORMATION

A.1 General information

To ensure safe use of the appliance and a proper understanding of the manual it is necessary to be familiar with the terms and typographical conventions used in the documentation. The following symbols are used in the manual to indicate and identify the various types of hazards:



WARNING

Danger for the health and safety of operators.



WARNING

Danger of electrocution - dangerous voltage.



CAUTION

Risk of damage to the appliance or the product.



WARNING

Risk of fire/ Flammable materials



IMPORTANT

Important instructions or information on the product



Read the instructions before using the appliance



Clarifications and explanations

FOR YOUR SAFETY

Do not store or use gasoline or other flammable materials, vapours and liquids in the vicinity of this or any other appliance.






- The appliance is to be installed in accordance with the Safety Standard for Refrigeration Systems, ANSI/ASHRAE 15.
- The appliance shall not be installed in public corridors or lobbies.
- Only specialised personnel are authorised to operate on the appliance.
- This appliance is not intended for use by persons (including children) with reduced physical, sensor or mental capabilities, or lack of experience and knowledge, unless they have been given supervision or instruction concerning use of appliance by a person responsible for their safety.
- Do not let children play with the appliance.
- Keep all packaging and detergents away from children.
- Cleaning and user maintenance shall not be made by children without supervision.
- Do not store explosive substances, such as pressurized containers with flammable propellant, in this appliance.
- Refer to the data given on the appliance's data plate for relations with the Manufacturer (e.g. when ordering spare parts, etc.).
- When scrapping the appliance, the marking must be destroyed.
- Save these instructions carefully for further consultation by the various operators.
- **NOTWITHSTANDING ANY PROVISION TO THE CONTRARY, ELECTROLUX PROFESSIONAL SHALL NOT BE RESPONSIBLE FOR AND HEREBY DECLINES AND DISCLAIMS ALL LIABILITY FOR HAZARDS RELATING TO THE MAINTENANCE OF FOOD SAFETY (INCLUDING RISK OF SERIOUS INJURY, DISABILITY, AND/OR DEATH RELATING TO FOOD BORNE ILLNESSES) AND COMPLIANCE WITH FOOD SAFETY REGULATIONS. OPERATORS SHALL MONITOR FOOD TEMPERATURES AND ENSURE THAT FOOD IS MAINTAINED AT SAFE TEMPERATURES. WITHOUT LIMITING THE FOREGOING, MANUFACTURER DECLINES AND DISCLAIMS ALL LIABILITY FOR IMPROPER PROGRAMING AND USE OF THE PRODUCT BY OPERATOR.**

A.2 Description of type reference

| V1MTTNUH | |
|----------|--|
| V | Vertical refrigerator |
| 1M | Model (1 module) |
| T | Thawing cabinet range |
| TN | Temperature range TN = Refrigerated |
| U | North America range |
| H | R290 refrigerant fluid |

A.3 Personal protection equipment

Summary table of the Personal Protection Equipment (PPE) to be used during the various stages of the appliance's service life.

| Stage | Protective garments  | Safety footwear  | Gloves  | Glasses  | Safety helmet  |
|------------------------|--|--|---|--|--|
| Transport | — | ● | ○ | — | — |
| Handling | — | ● | ○ | — | — |
| Unpacking | — | ● | ○ | — | — |
| Installation | — | ● | ● ¹ | — | — |
| Normal use | ● | ● | ● ² | — | — |
| Adjustments | ○ | ● | — | — | — |
| Routine cleaning | ○ | ● | ● ¹⁻³ | ○ | — |
| Extraordinary cleaning | ○ | ● | ● ¹⁻³ | ○ | — |
| Maintenance | ○ | ● | ○ | — | — |
| Dismantling | ○ | ● | ○ | ○ | — |
| Scrapping | ○ | ● | ○ | ○ | — |
| Key: | | | | | |
| ● | PPE REQUIRED | | | | |
| ○ | PPE AVAILABLE OR TO BE USED IF NECESSARY | | | | |
| — | PPE NOT REQUIRED | | | | |

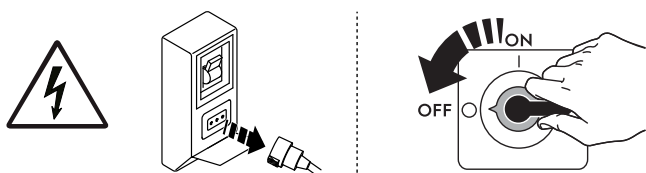
1. During these operations, gloves must be cut-resistant. Failure to use the personal protection equipment by operators, specialized personnel or users can involve exposure to harm to health (depending on the model).

2. During these operations, gloves must protect hands from the cold tray when being removed from the appliance. Failure to use the personal protection equipment by operators, specialised personnel or users can involve exposure to chemical risk and cause possible harm to health (depending on the model).

3. During these operations, gloves must be suitable for contact with chemical substances used (refer to the safety data sheet of the substances used for information regarding the required PPE). Failure to use the personal protection equipment by operators, specialized personnel or users can involve exposure to chemical risk and cause possible harm to health (depending on the model).

A.4 General safety

- The appliances are provided with electric and/or mechanical safety devices for protecting workers and the appliance itself.
- Never operate the appliance, removing, modifying or tampering with the guards, protection or safety devices.
- Do not make any modifications to the parts supplied with the appliance.
- Component parts shall be replaced with like components so as to minimize the risk of possible ignition due to incorrect parts.
- Several illustrations in the manual show the appliance, or parts of it, without guards or with guards removed. This is purely for explanatory purposes. Do not use the appliance without the guards or with the protection devices deactivated.



Disconnect the appliance from the power supply before carrying out any installation, assembly, cleaning or maintenance procedure.

- Do not remove, tamper with or make illegible the marking and safety, danger and instruction signs and labels on the appliance.
- Before servicing, disconnect the electrical service and place a red tag at the disconnect switch to indicate work is being done on that circuit.
- The A-weighted emission sound pressure level does not exceed 70 dB(A).¹
- Carefully avoid exposure of the equipment to ozone - do not use ozonizers in the rooms where the equipment is installed.
- The following operations have to be carried out by specialised authorised personnel or Customer Care Service provided with all the appropriate personal protection equipment (A.3 *Personal protection equipment*), tools, utensils and ancillary means, who can ask the manufacturer to supply a servicing manual:
 - Installation and assembly;
 - Installation of the refrigerant fluid condensing unit;
 - Positioning;
 - Electrical connection;
 - Appliance cleaning, repair and extraordinary maintenance;
 - Appliance disposal;
 - Work on electrical equipment;

1. The noise emission values have been obtained according to EN ISO 11204. The value could increase depending on the workplace where measured.

- Dismantling operations of appliances which use R290 or R-744 (with a refrigeration system under high pressure);
- Dismantling operations of appliances which use flammable insulation blowing gases;





A.5 Protection devices installed on the appliance

Guards

The appliance has:

- fixed guards (e.g. casings, covers, side panels, etc.), fixed to the appliance and/or frame with screws or quick-release connectors that can only be removed or opened with tools; therefore the user must not remove or tamper with such devices. The Manufacturer declines any liability for damage due to tampering or their non-use;
- interlocked movable guards (door) for access inside the appliance;
- appliance electrical equipment access panels or doors, made from hinged panels openable with tools. The panel or the door must not be opened when the appliance is connected to the power supply.

A.6 Safety signs to be placed on the appliance or near its area

| Prohibition | Meaning |
|---|--|
|  | do not remove the safety devices |
|  | do not use water to extinguish fires (placed on electrical parts) |
| Danger | Meaning |
|  | caution hot surface |
|  | danger of electrocution (shown on electrical parts with indication of voltage) |

A.7 Reasonably foreseeable improper use

Improper use is any use different from that specified in this manual. During appliance operation, other types of work or activities deemed improper and that in general can involve risks for the safety of operators and damage to the appliance are not allowed. Reasonably foreseeable improper use includes:

- lack of appliance maintenance, cleaning and periodical checks;
- structural changes or modifications to the operating logic;
- tampering with the guards or safety devices;
- failure to use personal protection equipment by operators, specialised personnel and maintenance personnel;
- failure to use suitable accessories (e.g. use of unsuitable equipment or ladders);
- keeping combustible or flammable materials, or in any case materials not compatible with or pertinent to the work, near the appliance;
- wrong appliance installation;
- placing in the appliance any objects or things not compatible with its use, or that can damage the appliance, cause injury or pollute the environment;
- climbing on the appliance;
- non-compliance with the requirements for correct appliance use;
- other actions that give rise to risks not eliminable by the Manufacturer.
- failure to insure complete closure of doors or drawers, through forgetfulness or carelessness
- place the product in the compartments so as to block proper air circulation or hinder the perfect closing of doors / drawers
- exceed product weight allowed for each shelf / drawer

A.8 Residual risks

The appliance has several risks that were not completely eliminated from a design standpoint or with the installation of adequate protection devices. Nevertheless, through this manual the Manufacturer has taken steps to inform operators of such risks, carefully indicating the personal protection equipment to be used by them. In order to reduce the risks, provide for sufficient spaces while installing the unit.

To preserve these conditions, the areas around the appliance must always be:

- kept free of obstacles (e.g. ladders, tools, containers, boxes, etc.);
- clean and dry;
- well lit.

For the Customer's complete information, the residual risks remaining on the appliance are indicated below: such actions are deemed improper and therefore strictly forbidden.

| Residual risk | Description of hazardous situation |
|---|---|
| Slipping or falling | The operator can slip due to water, any liquid or dirt on the floor |
| Burns/abrasions (e.g. heating elements, cold pan, cooling circuit plates and pipes) | The operator deliberately or unintentionally touches some components inside the appliance without using protective gloves. |
| Electrocution | Contact with live parts during maintenance operations carried out with the electrical panel powered |
| Falling from above | The operator intervenes on the appliance using unsuitable systems to access the upper part (e.g. rung ladders, or climbs on it) |
| Crushing or injury | The specialised personnel may not correctly fix the control panel when accessing the technical compartment. The panel could close suddenly. |
| Tipping of loads | When handling the appliance or the packing containing it, using unsuitable lifting systems or accessories or with the unbalanced load |
| Chemical (refrigerant gas) | Inhalation of refrigerant gas. Therefore always refer to the appliance labels |
| Sudden closure | The operator for normal appliance use could suddenly and deliberately close the door/drawers (if present, depending on the appliance type). |

A.9 Technical data

- The data plate and the energy labelling refer to original manufactured configuration.
- The appliance that can operate at 50 Hz or 60 Hz does not need any setting by the user.

Materials and fluids used

- R290 gas is potentially flammable and explosive. Take every possible precaution to prevent any risk linked to the nature of this gas during any routine and/or extraordinary operation carried out on the appliance.

A.10 Climatic Class

The climatic class given on the data plate refers to the following values:

- CLIMATIC CLASS: 5
 - 43°C (IEC/EN 60335-2-89)
 - 40°C room with 40% relative humidity (EN 16825/EN ISO 22041).

A.11 Transport, handling and storage

- Transport (i.e. transfer of the appliance from one place to another) and handling (i.e. transfer inside workplaces) must occur with the use of special and adequate means.
- Please refer to indications on packaging for stackability during transport, handling and storage.
- Do not stand under suspended loads during loading or unloading operations. Unauthorized personnel must not enter the work area.
- The weight of the appliance alone is not sufficient to keep it steady.
- For appliance handling, do not lift and anchor it to movable or weak parts such as: casings, electrical raceways, pneumatic parts, etc.
- Do not push or pull the appliance to move it, as it may tip over. Use proper tool to lift the appliance.
- Arrange a suitable area with flat floor for appliance unloading and storage operations.
- Appliance transport, handling, shifting and storage personnel must be adequately instructed and trained regarding the safely use of lifting systems and personal protection equipment suitable for the type of operation carried out.
- When removing the anchoring systems, make sure the stability of the appliance parts does not depend on the anchoring and, therefore, that this operation does not cause the load to fall off the vehicle. Before unloading the appliance components, make sure all the anchoring systems are removed.

A.12 Installation and assembly

- The installer must evaluate the minimum volume of the installation's environment necessary to reduce the risks related to danger caused by the flammability and toxicity of the refrigerant present in the appliance.
- The operations described must be carried out in compliance with the current safety regulations and provisions in force in the country of use.
- The appliance is not suitable for installation outdoors and/or in places exposed to atmospheric agents (rain, direct sunlight, etc.).

A.13 Electrical connection

- Connection to the electrical mains must be carried out in accordance with current regulations and the standards required by National Electric Code (NEC) and Canadian Electric Code (CEC), known as NFPA 70
- The electric supply connection must meet all national and local electrical code requirements.
- The power supply system must be suitable for the rated current of the connected appliance.
- For appliances with remote unit, the connection must be made separately for the unit and the appliance.
- The information regarding the appliance power supply voltage and frequency is given on the data plate.

- Install between the power cable and the electric line a differential thermal-magnetic switch suitable for the absorption specified on the data plate, with contact gap enabling complete disconnection in category III overvoltage conditions and complying with the regulations in force.
For the correct sizing of the switch or plug, refer to the absorbed current specified on the appliance data plate.
- After making the connection, with the appliance running check that the power supply does not fluctuate by $\pm 10\%$ the rated voltage.
- With models arranged for operation without incorporated refrigerating system, carry out the condensing unit and solenoid valve electrical connections as shown in the wiring diagram accompanying the appliance. The connection must be made with a cable of suitable section. Insert and secure the cables with the special cable clamp. Correctly connect each wire to the corresponding terminal.
- If the power cable is damaged or too short, it must be replaced by the Customer Care Service or in any case by specialised personnel, in order to prevent any risk.
- The manufacturer declines any liability for damage or injury resulting from breach of the above rules or non-compliance with the electrical safety regulations in force in the country where the appliance is used.

A.14 Electrical connection for appliances with plug

- To connect to the power supply, insert the power cable plug in the corresponding mains socket, first making sure:
 - the socket has an efficient earth contact and the mains voltage and frequency match that given on the dataplate. In case of any doubts regarding the efficiency of the earth connection have the system checked by specialised personnel.
 - the system power supply is arranged and able to take the actual current absorption and that it is correctly executed according to the regulations in force in the country of use.
- The plug must be accessible after positioning the appliance in the place of installation.
- The plug must be in a position always visible to the operator performing the intervention during maintenance operations.

A.15 Appliance space limitations

- Make sure to position the appliance at least 200 mm / 7,87" from the top, 30 mm / 1,18" from sides and back and from any other appliances present in the room (in fact, close proximity can create problems of condensate forming on the walls of the appliance), also taking into consideration the space needed for door opening.

A.16 Positioning

- Install the appliances, taking all the safety precautions required for this type of operation, also respecting the relevant fire-prevention measures.
- In case of "Marine" models, the appliances must be fixed to the floor.
- Prevent the areas where the appliance is installed to be polluted with corrosive substances (chlorine, etc.). The manufacturer declines any liability for corrosive effects due to external causes.

A.17 Product loading and unloading

- Cover or wrap food before placing it in the refrigerator and avoid putting very hot foods or steaming liquids inside.
- Do not use spray products for defrosting; in fact, they can be harmful to the health and/or damage the materials the appliance is made from.

WARNING:

- Do not use mechanical devices or other means to speed up the defrost process, unless recommended by the manufacturer.
- Do not damage the refrigerant circuit.
- Do not use electrical appliances inside the appliance compartments for storing frozen food, unless such equipment is recommended by the manufacturer.
- Keep the ventilation openings in the appliance casing free of any obstructions.

A.18 Maximum load



WARNING

- Do not place the product directly on bottom. Use the specific provided rack.
- Regarding the maximum load for each shelf, respect that given in the table below:

| | |
|--------------------|-------|
| SHELF MAXIMUM LOAD | 20 KG |
|--------------------|-------|

- To avoid compromising appliance stability, the total maximum load must not exceed 150 kg.

A.19 Appliance cleaning

- Do not touch the appliance with wet hands or feet or when barefoot.
- Use a ladder with suitable protection for work on appliances with high accessibility.
- Put the appliance in safe conditions before starting any cleaning operation.
- Respect the requirements for the various routine and extraordinary maintenance operations. Non-compliance with the instructions can create risks for personnel.
- Do not spray water or use water jets, steam cleaner or high pressure cleaner.

A.20 Cleaning the cabinet and accessories

- Pay attention to the selection and use of cleaning products in order to maintain proper appliance performance and safeness.

- To help reduce environmental impact, we recommend using Electrolux Professional cleaning products designed with sustainability and biodegradability in mind.
- If another type of detergent is used, carefully follow the producer's instructions and observe the safety rules given in the information sheets provided with the product or substance.
- Before using the appliance, clean all the internal parts and accessories, rinse and dry thoroughly; where possible clean with dishwashing appliance.
- Do not clean the appliance with detergents containing chlorine, solvent-based cleaning products (e.g. trichloro-ethylene), abrasive powders or agents, scouring pads or sponges that could damage the surfaces. Do not use organic solvent substances or essential oils. These substances could damage the parts of the appliance made from synthetic material.
- Do not use products (even if diluted) containing chlorine (sodium hypochlorite, hydrochloric or muriatic acid, etc.) to clean the floor under the appliance.

A.21 Preventive Maintenance

In order to ensure the safety and performance of your equipment, it is recommended that service is undertaken by Electrolux Professional SpA authorised engineers every 12 months, in accordance with Electrolux Professional SpA Service Manuals. Please contact your local Electrolux Professional SpA Service Centre for further details.

A.22 Parts and accessories

Use only original accessories and/or spare parts. Failure to use original accessories and/or spare parts will invalidate the original manufacturer warranty and may render the appliance not compliant with the safety standard.

A.23 Precautions for use and maintenance

- Risks mainly of a mechanical, thermal and electrical nature exist in the appliance. Where possible the risks have been neutralised:
 - directly, by means of adequate design solutions.
 - indirectly by using guards, protection and safety devices.
- Any anomalous situations are signalled on the control panel display.
- During maintenance several risks remain, as these could not be eliminated, and must be neutralised by adopting specific measures and precautions.
- Do not carry out any checking, cleaning, repair or maintenance operations on moving parts. Workers must be informed of this prohibition by means of clearly visible signs.
- Make sure to periodically check correct operation of all the safety devices and the insulation of electrical cables, which must be replaced if damaged.

In case of a significant anomaly (e.g. short circuits, wires coming out of the terminal block, motor breakdowns, worn electrical cable sheathing, etc.) the operator for normal appliance use must:

- immediately deactivate the appliance.

A.24 Appliance maintenance

- The inspection and maintenance intervals depend on the actual appliance operating conditions and ambient conditions (presence of dust, damp, etc.), therefore precise time intervals cannot be given. In any case, careful and periodical appliance maintenance is advisable in order to minimise service interruptions.
- It is advisable to stipulate a preventive and scheduled maintenance contract with the Customer Care Service.
- Put the appliance in safe conditions before starting any maintenance operation.
- To guarantee appliance efficiency and correct operation, periodical maintenance must be carried out according to the instructions given in the manual.

A.25 Maintenance intervals

It is advisable to carry out the checks with the frequency given in the following table:

| Maintenance, inspections, checks and cleaning | Frequency | Responsibility |
|--|---|--|
| Ordinary cleaning <ul style="list-style-type: none"> • general cleaning of appliance and surrounding area | <ul style="list-style-type: none"> • Daily | <ul style="list-style-type: none"> • Operator |
| Mechanical protection devices <ul style="list-style-type: none"> • check their condition and for any deformation, loosening or removed parts | <ul style="list-style-type: none"> • Yearly | <ul style="list-style-type: none"> • Service |
| Door frame and Gasket <ul style="list-style-type: none"> • Check the integrity status of the door frame and door gasket. • Check the cleanliness of the door frame and door gasket. • Replace in case broken. | <ul style="list-style-type: none"> • Monthly | <ul style="list-style-type: none"> • Operator |

| Maintenance, inspections, checks and cleaning | Frequency | Responsability |
|---|--|---|
| Control <ul style="list-style-type: none"> check the mechanical parts, for cracks or deformations, tightening of screws: check the readability and condition of words, stickers and symbols and restore if necessary | <ul style="list-style-type: none"> Yearly | <ul style="list-style-type: none"> Service |
| Appliance structure <ul style="list-style-type: none"> tightening of main bolts (screws, fixing systems, etc.) of appliance | <ul style="list-style-type: none"> Yearly | <ul style="list-style-type: none"> Service |
| Safety signs <ul style="list-style-type: none"> check the readability and condition of safety signs | <ul style="list-style-type: none"> Yearly | <ul style="list-style-type: none"> Service |
| Electrical control panel <ul style="list-style-type: none"> check the electrical components installed inside the electrical control panel. Check the wiring between the electrical panel and appliance parts | <ul style="list-style-type: none"> Yearly | <ul style="list-style-type: none"> Service |
| Electrical connection cable <ul style="list-style-type: none"> check the connection cable (replace if necessary) | <ul style="list-style-type: none"> Yearly | <ul style="list-style-type: none"> Service |
| General appliance overhaul <ul style="list-style-type: none"> check all components, electrical equipment, corrosion, pipes... | Every 10 years ¹ | <ul style="list-style-type: none"> Service |

1. The appliance is designed and built for a duration of about 10 years. After this period of time (from commissioning) the appliance must undergo a general inspection and overhaul.

A.26 Appliance disposal

- Make the appliance unusable by removing the power cable and any compartment closing devices, to prevent the possibility of someone becoming trapped inside.

B WARRANTY

B.1 Warranty terms and exclusions

If the purchase of this product includes warranty coverage, warranty is provided in line with local regulations and subject to the product being installed and used for the purposes as designed, and as described within the appropriate equipment documentation.

Warranty will be applicable where the customer has used only genuine spare parts and has performed maintenance in accordance with Electrolux Professional user and maintenance documentation made available in paper or electronic format.

Electrolux Professional strongly recommends using Electrolux Professional approved cleaning, rinse and descaling agents to obtain optimal results and maintain product efficiency over time.

The Electrolux Professional warranty does not cover:

- service trips cost to deliver and pick up the product;
- installation;
- training on how to use/operate;
- replacement (and/or supply) of wear and tear parts unless resulting from defects in materials or workmanship reported within one (1) week from the failure;
- correction of external wiring;
- correction of unauthorized repairs as well as any damages, failures and inefficiencies caused by and/or resulting from:
 - insufficient and/or abnormal capacity of the electrical systems (current/voltage/frequency, including spikes and/or outages);
 - inadequate or interrupted water supply, steam, air, gas (including impurities and/or other that does not comply with the technical requirements for each appliance);
 - plumbing parts, components or consumable cleaning products that are not approved by the manufacturer;

- customer's negligence, misuse, abuse and/or non-compliance with the use and care instructions detailed within the appropriate equipment documentation;
- improper or poor: installation, repair, maintenance (including tampering, modifications and repairs carried out by third parties not authorized) and modification of safety systems;
- Use of non-original components (e. g.: consumables, wear and tear, or spare parts);
- environment conditions provoking thermal (e. g. overheating/freezing) or chemical (e. g. corrosion/oxidation) stress;
- foreign objects placed in- or connected to- the product;
- accidents or force majeure;
- transportation and handling, including scratches, dents, chips, and/or other damage to the finish of the product, unless such damage results from defects in materials or workmanship and is reported within one (1) week of delivery unless otherwise agreed;
- product with original serial numbers that have been removed, altered or cannot be readily determined;
- replacement of light bulbs, filters or any consumable parts;
- any accessories and software not approved or specified by Electrolux Professional.

Electrolux Professional warranty will be void and manufacturer shall have no liability related thereto in case of any modification of the product or related hardware/software/programming.


Warranty does not include scheduled maintenance activities (including the parts required for it) or the supply of cleaning agents unless specifically covered within any local agreement, subject to local terms and conditions.

Check on Electrolux Professional website the list of authorized customer care.

C APPLIANCE AND MANUFACTURER'S IDENTIFICATION DATA


The data plate gives the product identification and technical data.

An example of the marking or data plate on the appliance is given below:

| | | | |
|---|--|---|--|
| F.Mod.XXXXXXXXXX PNC 9VTXXXXXXXXXX W Tot.XXX kW | Comm.ModelXXXXXXXXXX Ser.Nr.XXXXXXXXXX VoltXXXX XXX XX Hz | Type ref. XXXXXX Cyclopentane | 2019 |
| Potenza Sbrinamento / Defrost Power Resistenza Evaporazione / Evaporation Heater El. Illuminazione / Lighting | XXX kW X kW X W | Classe / ClassX Refrigerante / RefrigerantXXXXX Cap.X | GWFPXXXX CO2-eq XXX t XX Kg |
| IPxx Electrolux Professional SPA - Viale Treviso, 15 - 33170 Pordenone (Italy) | | | CE  |

The meaning of the various information given on it is listed below:

| | |
|--------------|--------------------------------------|
| F.Mod. | factory description of product |
| Comm.Mod. | commercial description |
| PNC | production number code |
| Ser.No. | serial number |
| Type ref. | certification group of the appliance |
| Cyclopentane | expanding gas used in insulation |

| | |
|---|-----------------------------------|
| V | power supply voltage |
| Hz | power supply frequency |
| kW | power input |
| A | absorbed current |
| Evaporation heater El. | evaporation heating element power |
| Class | climatic class |
| GWP | global warming potential |
| CO2 eq | quantity of greenhouse gases |
| Lighting | internal light |
| Cap. | nominal capacity |
| Refrigerant | type of refrigerant gas |
| Defrost power | current absorbed |
| CE | CE marking |
|  | WEEE symbol |
| IPX0 | dust and water protection rating |

D GENERAL INFORMATION



WARNING

Refer to "*Warning and Safety Information*".

D.1 Introduction

This manual contains information relevant to various appliances. The product images in this guide are only an example.

The drawings and diagrams given in the manual are not in scale. They supplement the written information with an outline, but are not intended to be a detailed representation of the appliance supplied.

The numerical values given on the appliance installation diagrams refer to measurements in millimeters and/or inches.

D.2 Intended use and restrictions

Refer to paragraph H.3 *Switching the appliance on and activation of thawing cycles* for information on operation based on manufacturer-set programming.

NOTWITHSTANDING ANY PROVISION TO THE CONTRARY, ELECTROLUX PROFESSIONAL SHALL NOT BE RESPONSIBLE FOR AND HEREBY DECLINES AND DISCLAIMS ALL LIABILITY FOR HAZARDS RELATING TO THE MAINTENANCE OF FOOD SAFETY (INCLUDING RISK OF SERIOUS INJURY, DISABILITY, AND/OR DEATH RELATING TO FOOD BORNE ILLNESSES) AND COMPLIANCE WITH FOOD SAFETY REGULATIONS. OPERATORS SHALL MONITOR FOOD TEMPERATURES AND ENSURE THAT FOOD IS MAINTAINED AT SAFE TEMPERATURES. WITHOUT LIMITING THE FOREGOING, MANUFACTURER DECLINES AND DISCLAIMS ALL LIABILITY FOR IMPROPER PROGRAMING AND USE OF THE PRODUCT BY OPERATOR.

D.3 Testing and inspection

Our appliances have been designed and optimized, with laboratory testing, in order to obtain high performance and efficiency.

The appliance is shipped ready for use.

Passing of the tests (visual inspection - electrical test - functional test) is guaranteed and certified by the specific enclosures.

D.4 Copyright

This manual is intended solely for consultation by the operator and can only be given to third parties with the permission of Electrolux Professional SpA.

D.5 Keeping the manual

The manual must be carefully kept for the entire life of the appliance, until scrapping. The manual must stay with the appliance in case of transfer, sale, hire, granting of use or leasing.

D.6 Recipients of the manual

This manual is intended for:

- the carrier and handling personnel;
- installation and commissioning personnel;
- the employer of appliance users and the workplace manager;
- operators for normal appliance use;
- specialised personnel - Customer Care service (see service manual).

D.7 Definitions

Listed below are the definitions of the main terms used in the manual. It is advisable to read them carefully before use.

| | |
|--|--|
| Operator | appliance installation, adjustment, use, maintenance, cleaning, repair and transport personnel. |
| Manufacturer | Electrolux Professional SpA or any other service centre authorised by Electrolux Professional SpA. |
| Operator for normal appliance use | an operator who has been informed and trained regarding the tasks and hazards involved in normal appliance use. |
| Customer Care service or specialised personnel | an operator instructed/trained by the Manufacturer and who, based on his professional and specific training, experience and knowledge of the accident-prevention regulations, is able to appraise the operations to be carried out on the appliance and recognise and prevent any risks. His professionalism covers the mechanical, electrotechnical and electronics fields etc. |

| | |
|---------------------|---|
| Danger | source of possible injury or harm to health. |
| Hazardous situation | any situation where an operator is exposed to one or more hazards. |
| Risk | a combination of probabilities and risks of injury or harm to health in a hazardous situation. |
| Protection devices | safety measures consisting of the use of specific technical means (guards and safety devices) for protecting operators against risks. |
| Guard | an element of an appliance used in a specific way to provide protection by means of a physical barrier. |
| Safety device | a device (other than a guard) that eliminates or reduces the risk; it can be used alone or in combination with a guard. |
| Customer | the person who purchased the appliance and/or who manages and uses it (e. g. company, entrepreneur, firm). |
| Electrocution | an accidental discharge of electric current on a human body. |

D.8 Responsibility

The Manufacturer declines any liability for damage and malfunctioning caused by:

- non-compliance with the instructions contained in this manual;
- repairs not carried out in a workmanlike fashion, and replacements with parts different from those specified in the spare parts catalogue (the fitting and use of non-original spare parts and accessories can negatively affect appliance operation and invalidates the original manufacturer warranty);
- operations carried out by non-specialised personnel;
- unauthorized modifications or operations;
- missing, lack or inadequate maintenance;
- improper appliance use;
- unforeseeable extraordinary events;
- use of the appliance by uninformed and / or untrained personnel;
- non-application of the current provisions in the country of use, concerning safety, hygiene and health in the workplace.

The Manufacturer declines any liability for:

- damage caused by arbitrary modifications and conversions carried out by the user or the Customer;
- inaccuracies contained in the manual, if due to printing or translation errors.

The employer, workplace manager or service technician are responsible for identifying and choosing adequate and suitable personal protection equipment to be worn by operators, in compliance with regulations in force in the country of use.

Any supplements to the installation, use and maintenance manual the Customer receives from the Manufacturer will form an integral part of the manual and therefore must be kept together with it.

D.9 Customer packaging checks

- The forwarder is responsible for the goods during transport and delivery.
- Make a complaint to the forwarder in case of visible or hidden damage.
- Specify any damage or shortages on the dispatch note.
- The driver must sign the dispatch note: the forwarder can reject the claim if the dispatch note is not signed (the forwarder can provide the necessary form).
- For hidden damage or shortages becoming apparent only after unpacking, request the forwarder for inspection of the goods within and no later than 15 days after delivery.

After packaging checks

1. Remove the packaging.
Take care when unpacking and handling of the appliance to not cause any shocks on itself.
2. Keep all the documentation contained in the packaging.

D.10 Storage

The appliance and/or its parts must be stored and protected from damp, in a non-aggressive place, free of vibrations and with room temperatures between 5°C and 50°C.

The place where the appliance is stored must:

- can take the appliance load,
- have a flat support surface to avoid deforming the appliance or damage to the support feet.

E TECHNICAL DATA



CAUTION



WARNING

Refer to “*Warning and Safety Information*”.

E.1 Materials and fluids used

The areas in contact with the food product are in steel.

E.2 Main technical characteristics

| | |
|------------------------|-----------|
| Rack dimensions mm | 530x650 |
| Power supply voltage V | 115V/60Hz |

The fluorinated gases are contained in a hermetically sealed device.

HC refrigerant fluid for models with refrigerant R290, complying with the current regulations, is used in the refrigerating units. The type and quantity of gas used are given on the dataplate.

The CO₂ equivalent of the gas may be calculated multiplying GWP value by quantity of gas.

F INSTALLATION AND ASSEMBLY

F.1 Introduction



WARNING

Refer to “*Warning and Safety Information*”.

To ensure correct operation of the appliance and maintain safe conditions during use, carefully follow the instructions given in this chapter.

Check and, if necessary, level the appliance after positioning. Incorrect levelling can cause appliance malfunctioning.



CAUTION

Before moving the appliance make sure the load bearing capacity of the lifting equipment used is suitable for its weight.



NOTE!

Appliances with incorporated refrigerating unit must be handled upright. If the appliance is handled in a horizontal position, make sure to wait a few hours in upright position before making it operational.



CAUTION

- Install the appliance in a ventilated place, away from heat sources such as radiators or air conditioning systems, to allow correct cooling of the refrigerating unit components.
- Never cover the condenser, even temporarily, as this can compromise its proper operation and therefore that of the appliance.
- The appliance must be taken to the place of installation and removed from the packing base only when being installed.

F.2 Customer's responsibilities

The tasks and works required of the Customer are:

- check the floor planarity on which the appliance is placed;
- arrange an earthed power socket of suitable capacity for the input specified on the data plate;
- provide a high sensitivity manual-reset differential thermal magnetic switch;



NOTE!

For information regarding the electrical connection, refer to "A.13 Electrical connection".

F.3 Unpacking instructions

Unpack the appliance carrying out the following operations:

- if present, cut the straps and remove the protective film, taking care not to scratch the surface if scissors or blades are used;
- if present, remove the cardboard top, the polystyrene corners and the vertical protection pieces;
- for appliances with stainless steel surfaces, remove the protective film very slowly without tearing it, to avoid leaving glue stuck to the surface;
- should this happen, remove the traces of glue with a non-corrosive solvent, rinsing it off and drying thoroughly;
- it is advisable to go over all the stainless steel surfaces with a rag soaked in paraffin oil in order to create a protective film.

F.4 Disposal of packing

The packing must be disposed of in compliance with the current regulations in the country where the appliance is used. All the packing materials are environmentally friendly.

They can be safely kept, recycled, or burned in an appropriate waste incineration plant. Recyclable plastic parts are marked as follows:

| | |
|--|--|
| | Polyethylene |
| | <ul style="list-style-type: none"> • Outer wrapping • Instructions bag |
| | Polypropylene |
| | <ul style="list-style-type: none"> • Straps |
| | Polystyrene foam |
| | <ul style="list-style-type: none"> • Corner protectors |

The parts in wood and cardboard can be disposed of, respecting the current regulations in the country where the appliance is used.

F.5 Positioning

Install the appliance, taking all the safety precautions required for this type of operation, also respecting the relevant fire-prevention instructions.

If the appliance is installed in a place where there are corrosive substances (chlorine, etc.), it is advisable to go over all the stainless steel surfaces with a rag soaked in paraffin oil to create a protective film.

Arranging the appliance:

- position the appliance in the required place;
- adjust the height and levelling with the adjustment feet, also checking correct door closing.
-

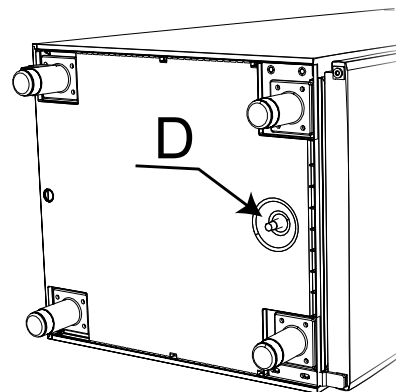
F.6 Plumbing connection (only if present)



CAUTION

The plumbing connection must be carried out by a specialised personnel.

The appliance has a drain hole for any liquids present in the compartment. Connect the compartment drain hole "D", located on the bottom of the appliance and provided with a closing plug, to a drain. The drain hole diameter is "17.5 mm", therefore it is advisable to connect it to a "17.5 mm" drain pipe.



F.7 Reversing opening of fully insulated doors



CAUTION

The user cannot reverse the door opening direction in all models with glass door. Models with glass door come with opening from left to right. To reverse the opening direction in refrigerated models, call the Customer Care Service.

Single-door refrigerated cupboards are normally supplied with right opening. When converting to left opening, proceed as follows:

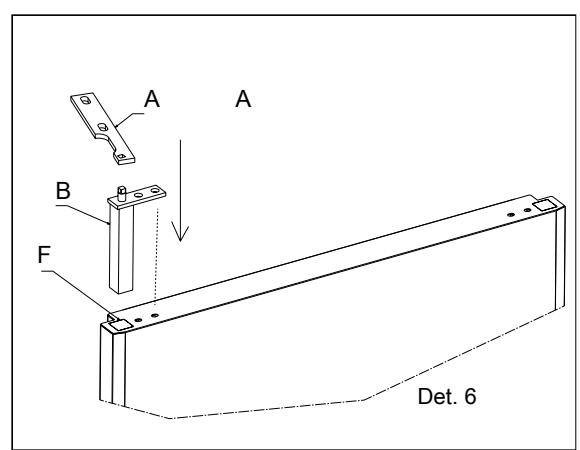
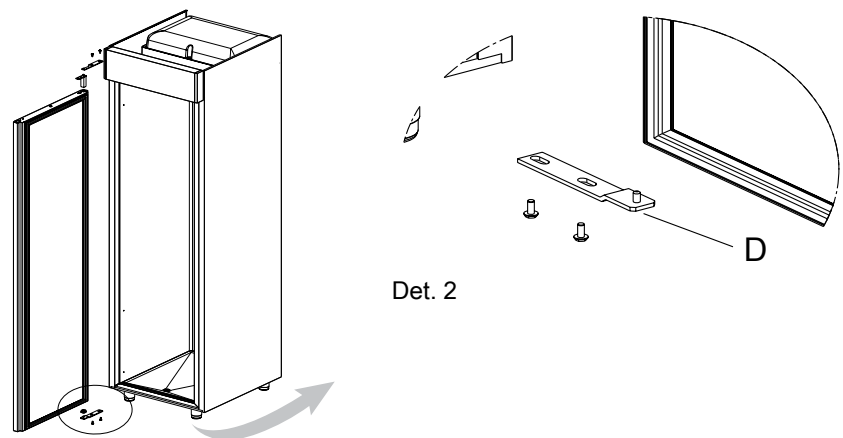
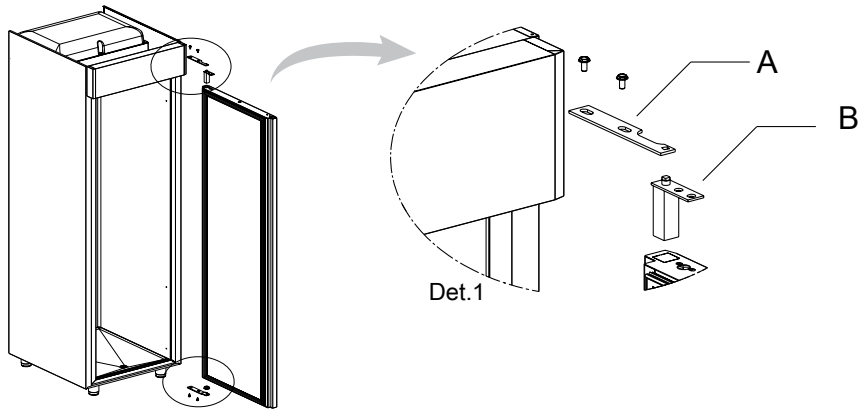
- open the control panel, loosening the 2 screws located between the panel and door;
- undo the 2 fixing screws of bracket "A" and the screw securing hinge "B" (detail 1);
- remove the door and remove hinge "B" from right to left, break the pre-cut "F" on the opposite side and insert part "B" (detail 6) and the bracket as shown in the figure;
- remove the lower bracket "D", refitting it in the special seat on the opposite side (detail 2);
- position the door on the lower bracket "D";
- position the upper bracket "A" between the door and the roof of the appliance, tightening the fixing bolts;

- before tightening the screws, align the door with the panel of the cabinet, adjusting the lower and upper brackets and making sure the seal is perfectly fitted on all sides;
- then tighten the bracket fixing bolts;
- fix the control panel again, securing the 2 screws between the control panel and door.



NOTE!

After doing the above operations, the holes in the appliance must be closed with the special plastic plugs.



G NORMAL APPLIANCE USE

G.1 Characteristics of personnel enabled to operate on the appliance

The Customer must make sure the personnel for normal appliance use are adequately trained and skilled in their duties. The operator must:

- read and understand the manual;
- receive adequate training and instruction for their duties in order to operate safely;

- receive specific training for correct appliance use.



IMPORTANT

The Customer must make sure his personnel have understood the instructions received and in particular those regarding work hygiene and safety in use of the appliance.

G.2 Basic requirements for appliance use

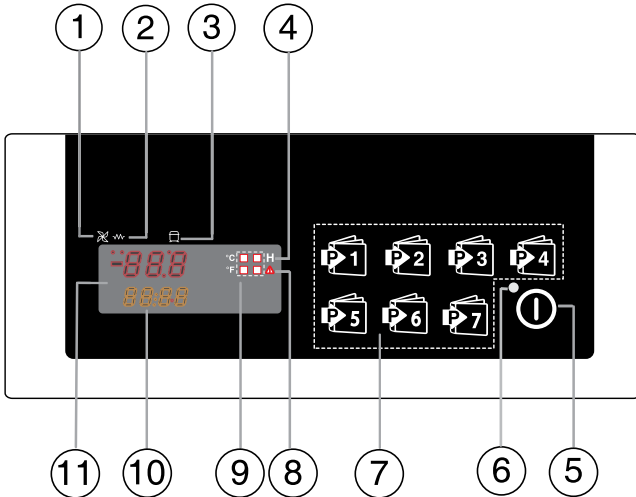
- Knowledge of the technology and specific experience in operating the appliance.
- Adequate general basic education and technical knowledge for reading and understanding the contents of the manual,

including correct interpretation of the drawings, signs and pictograms.

- Sufficient technical knowledge for safely performing his duties as specified in the manual.
- Knowledge of the regulations on work hygiene and safety.

H OPERATING

H.1 Description of control panel



| | |
|----|--------------------------------|
| 1 | Fans On light |
| 2 | Thaw heating elements On light |
| 3 | Compressor On light |
| 4 | Maintaining On light |
| 5 | "ON/OFF" button |
| 6 | Power supply light |
| 7 | Program buttons |
| 8 | Alarm light |
| 9 | Thaw cycle On light |
| 10 | Time display |
| 11 | Digital thermostat display |

H.2 Description of icons and leds



Led on indicates compressor activation;
When flashing it indicates compressor delay.



Led on indicates activation of the defrost heating elements.



Led on indicates activation of the defrost and/or compartment fan.



Icon lit indicates carrying out of the defrost cycle of programs P1 or P2 or P3 or P4 respectively.




Icon lit indicates maintaining in progress.



The icon indicates the detection of an alarm;
For information on alarms, refer to the table below:

H.3 Switching the appliance on and activation of thawing cycles

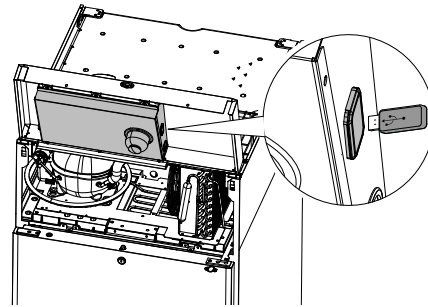
Press the "ON/OFF/STOP" button  to activate the appliance. The appliance goes to maintaining mode at 34°F.

Pressing the P1 button activates the cycle with phase duration 12h, temperature 40°F and air circulation; after 12h the appliance returns in maintaining mode.

Pressing any other button, P2 to P7, other than P1, does not activate any thawing cycle and the appliance remains in maintaining mode.

Programs P1 to P7 can only be set by on purpose trained personnel, according to technical instructions (being not present in this document), under their own responsibility.

Programming can be done using the display or by uploading from a pre-programmed hotkey, by an authorised personnel.




To start the required thawing cycle (P1, P2,) press the relevant program button:




The display shows the remaining time for the cycle to end **85:00**.

During a thawing cycle, press any button (except the ON / OFF button) to display the type of running program (P1, P2, etc..).

The thawing cycle ends automatically, after which the appliance returns to the maintaining mode.

To manually stop it, press the "ON/OFF/STOP" button .

To switch the appliance off, press the "ON/OFF/ STOP" button  during the maintaining cycle.

The temperature display shows the message "OFF".

H.4 Automatic defrost

The appliance is equipped with an automatic cooling unit/ evaporator defrost device. This function is activated only during maintaining and not during thawing cycles. During defrost the display shows the message "dEF", whereas the bottom display shows the time remaining for defrost end. The defrost water is run into a tray and automatically evaporated.

H.5 Loading the product



WARNING

Cover or wrap food before placing it in the refrigerator and avoid putting very hot foods or steaming liquids inside.

Distribute the product evenly inside the compartment (away from the door and back) to allow good air circulation. In case of excessive product loading, the temperature remains uniform thanks to the removable rear supports which act as an air conveyor.



- It is recommended thawing the bagged or packaged product.
- To avoid non-uniform thawing, the frozen product must have a uniform thickness and no more than 8 cm.

- If the product to be thawed is not packaged and bagged with an equal thickness, it is advisable to reduce the temperature and increase the thawing time to obtain a homogeneous result.
- It is advisable to thaw the product on a grid and not in a tray. If trays are used to thaw the product, it is recommended to use GN 1/1 trays.



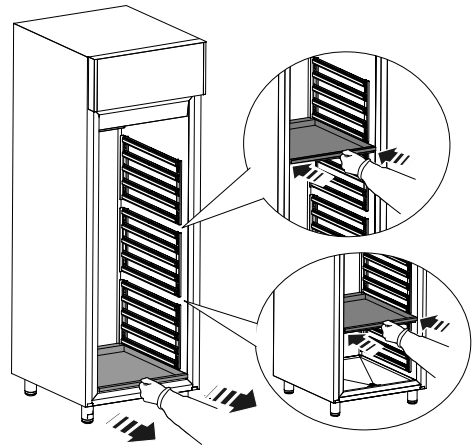
CAUTION

Do not leave the door open any longer than necessary when loading or removing food.

It is advisable to keep the keys in a place only accessible to authorised personnel. To prevent unauthorised personnel from opening the appliance, it is advisable to always close it with the key.

H.5.1 Dividing tray for reduced charge

In case of reduced charge it is possible to optimise the internal volume using the removable dividing tray. In case of full charge, the tray must be placed on the bottom part of the appliance. The tray also has the function to be used as liquid collector.



I APPLIANCE CLEANING AND MAINTENANCE



WARNING

Refer to "Warning and Safety Information".

I.1 Ordinary maintenance

I.1.1 Care information

Care operations have to be carried out by the owner and/or user of the appliance.



IMPORTANT

Problems resulting from poor or lack of care as hereinafter described will not be covered by the warranty.

I.1.2 Cleaning introduction

For detailed information regarding appliance cleaning refer to paragraph A.20 *Cleaning the cabinet and accessories*.

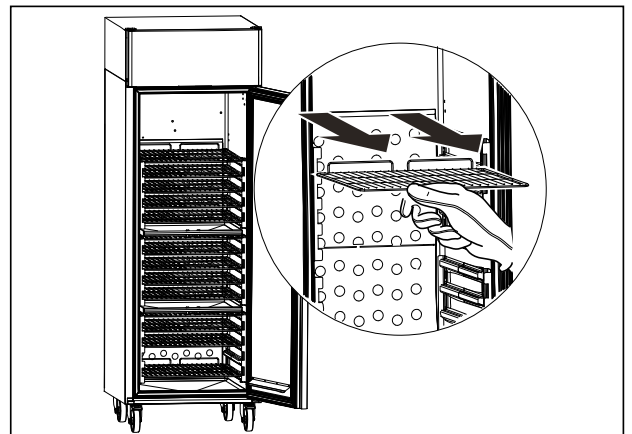
I.1.3 Compartment cleaning

The racks can be removed in order to thoroughly clean the compartment, therefore remove them before cleaning. For this, use products that are over 90% biodegradable (do not use solvents or abrasive powders), then rinse and dry thoroughly.

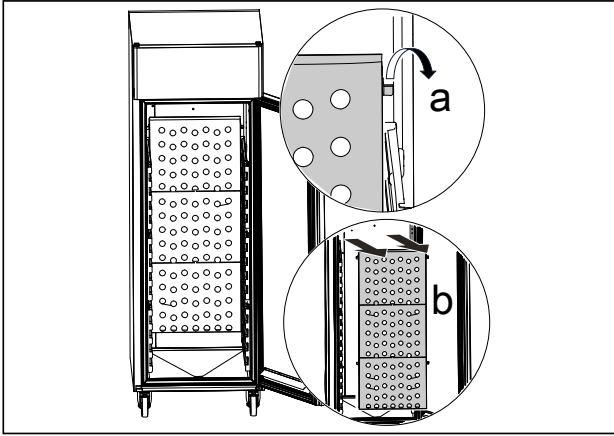
• Cleaning the rack supports and internal back conveyor

The inside rack supports and the internal back conveyor can be removed and are dishwasher friendly. To remove, proceed as shown below:

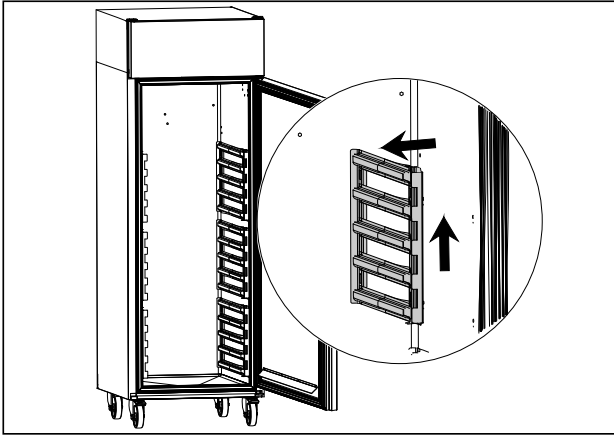
1.



2.



3.



• **Daily cleaning the cabinet**

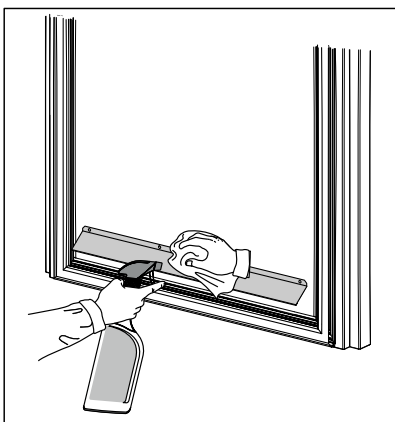
It is suggested to clean all internal parts and accessories after each thawing cycle, or at least once a day. For cabinets with internal drain it is possible to remove the cap during the cleaning cycle. For cleaning proceed as follows:

1. remove the liquid collector basin, empty and clean it;
2. remove the grids supports and wash in a dishwasher;
3. clean the internal cell and interior door;
4. clean (if present) the inner door deflector;

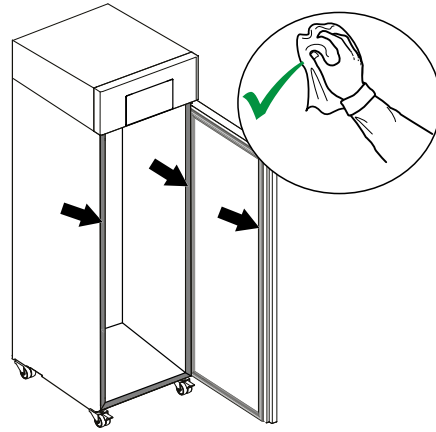


CAUTION

Pay attention to not damage the inner door deflector during the cleaning and the ordinary use of the appliance.



5. accurately clean the door gasket and frame, in order to avoid residual liquids from thawing;



6. thoroughly dry all surfaces;

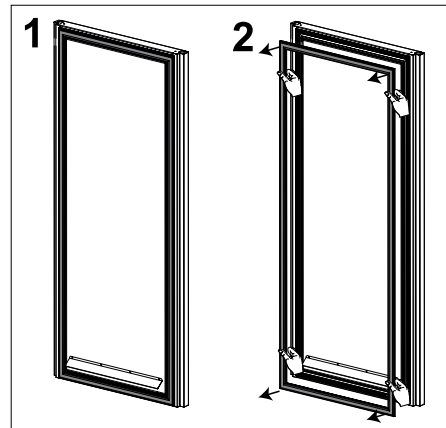
7. once finished the cleaning cycle restore all accessories inside the cabinet, including the drain cap;

After carrying out maintenance make sure the appliance is able to work safely and, in particular, that the protection and safety devices are efficient.

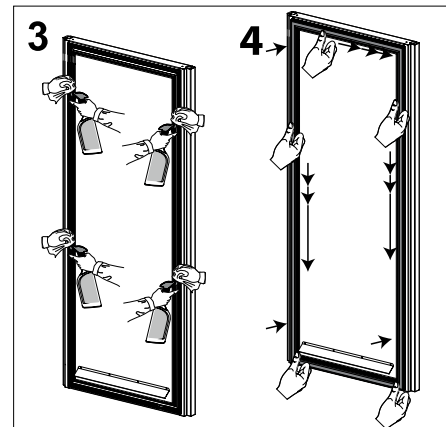
I.1.4 Replacing door gasket

Periodically check the integrity status of the door gasket and replace in case of broken. To replace the door gasket proceed as follows:

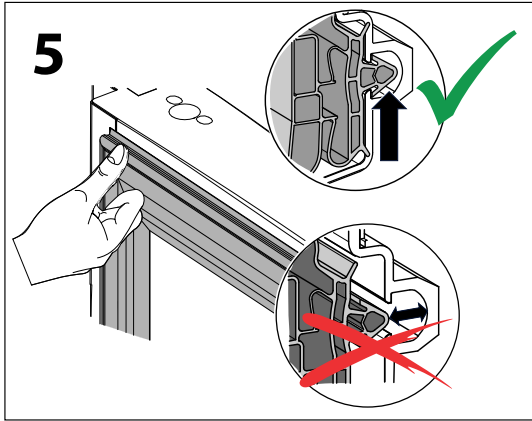
a.



b.



c.



IMPORTANT

As shown in figures 4 and 5, carefully press the gasket starting from the corners. The gasket must be inserted in its location long the whole perimeter.

I.1.5 Periods of non-use

If the appliance is not going to be used for some time, take the following precautions:

- disconnect the power supply or remove the plug from the power socket, if present;
- carefully clean the internal parts of the appliance;
- remove all food from the compartment and clean the inside and accessories;
- clean the cabinet, going over all the stainless steel surfaces vigorously with a rag moistened with paraffin oil to create a protective film;
- leave the door or drawers, if present, open so that air can circulate inside, preventing the formation of unpleasant odours;
- periodically air the premises.

J APPLIANCE DISPOSAL



WARNING

Refer to “Warning and Safety Information“.

J.1 Procedure regarding appliance disposal

At the end of the product’s life-cycle, make sure it is not dispersed in the environment. Different regulations are in force in the various countries, therefore comply with the provisions of the laws and competent bodies in the country where appliance disposal takes place.

Before disposing of the appliance, make sure to carefully check its physical condition, and in particular any parts of the structure that can give or break during dismantling.

The appliance’s parts must be disposed in a differentiated way, according to their different characteristics (e. g. metals, oils, greases, plastic, rubber, etc.) remembering that the compressor contains lubricant oil and refrigerant fluid which can be recycled, and that the refrigerator components are classed as special waste that cannot be assimilated with urban waste.

Depending on the model, the doors must be removed before dismantling the appliance.



NOTE!

When dismantling the appliance, any marking, this manual and other documents concerning the appliance must be destroyed.

K TROUBLESHOOTING

K.1 Introduction

Certain faults may occur during normal use of the appliance. In some cases, faults can be eliminated easily and quickly by following the indication below.

The display, if present, always shows a warning message or alarm describing the occurring fault.

If the fault persists, contact the Customer Care Service:

1. Disconnect the appliance from the main power supply;
2. Switch off the safety circuit breaker ahead of the appliance;
3. Remember to specify:

- the type of fault
- the appliance PNC (product number code)
- the Ser. No. (appliance serial number).



IMPORTANT

The appliance PNC and serial number are essential for identifying the type of appliance and date of manufacture.

The data plate giving the product and technical data is located inside the appliance. The plate giving the appliance PNC code and serial number is located in the unit compartment.

K.2 Troubleshooting

In some cases, faults can be eliminated easily and quickly by following a brief troubleshooting guide:

In some cases, faults can be eliminated easily and quickly by following a brief troubleshooting guide:

| ANOM-ALY | TYPE OF ANOMALY | DESCRIPTION | POSSIBLE CAUSES | ACTIONS |
|----------|---|---------------------------|-------------------------------|---|
| rPF | ALARM IN MAINTAINING: the compressor runs automatically at time intervals. IN THAWING: the cycle switches to maintaining. | Compartment sensor fault. | Probe broken or disconnected. | Try to switch OFF / ON If the problem persists Call Service. |

| | | | | |
|-------------------------------------|---|---|---|--|
| HA | ALARM | High maintaining temperature alarm. | Door left opened Excessive load Malfunctioning on the cooling unit. | Close the door. If the problem persists Call Service. |
| HAt | ALARM | High thawing cycle temperature. | Door left opened Excessive load Malfunctioning on the cooling unit. | Close the door. If the problem persists Call Service. |
| LA | ALARM | Low temperature alarm. | Malfunctioning on the cooling unit | No action If the problem persists Call Service. |
| dA | ALARM IN MAINTAINING: the fans are switched off. IN THAWING: the fans and heating elements are switched off. | Door open alarm. | Door left opened | Close the door. |
| Pfa | ALARM IN THAWING: the appliance goes to MAINTAINING. | Prolonged power failure signalling. | Power failue missing for a long period | — |
| End | INFO | End of a thawing cycle. | — | — |
| PArt | INFO | End of partial cycle if enabled by parameter "Hti". | — | — |
| The appliance does not switch on. | — — — — — | — — — — — | <ul style="list-style-type: none"> Electric supply issue. | <ul style="list-style-type: none"> Make sure the plug is properly inserted in power socket. Make sure the socket is powered. check (if present) the suitability of the fuse on the plug; otherwise contact the assistance service to replace the fuse, which must have the same characteristics as the one being replaced. If the problem persists Call Service. |
| The inside temperature is too high. | — — — — — | — — — — — | <ul style="list-style-type: none"> Door left open Issue with thermostat setting. Heat source near the appliance; | <ul style="list-style-type: none"> Make sure the door closes properly. Check the thermostat setting; Make sure there is no heat source near the appliance. If the problem persists Call Service. |
| The appliance is too noisy. | — — — — — | — — — — — | <ul style="list-style-type: none"> Unit unlevelled or touching other equipment. | <ul style="list-style-type: none"> Make sure the appliance is properly levelled. An unbalanced position can set off vibrations. Make sure the appliance is not touching other equipment or parts which could reverberate. If the problem persists Call Service. |

If the fault persists after carrying out the above checks, contact the Customer Care Service, remembering to specify:

- A. the type of fault;
- B. the appliance PNC (production number code);
- C. the Ser. No. (appliance serial number).



NOTE!

The appliance PNC and serial number are essential for identifying the type of appliance and date of manufacture. The dataplate giving the product and technical data is located inside the appliance. The plate giving the appliance PNC code and serial number is located in the unit compartment.

