

Electric pasta cooker

2 x 5 litres

24,5 litres

40 litres



therma*line*

EN Installation and operating manual *





*Original instructions

599A0UD02 - 82.8020.01- 2025.10

Foreword

 Read the following instructions, including the warranty terms before installing and using the appliance.

Visit our website www.electroluxprofessional.com and open the **Support** section to:

-  Register your product
 -  Get hints & tips of your product, service and repair information
-

The installation, use and maintenance manual (hereinafter Manual) provides the user with information necessary for correct and safe use of the appliance.

The following must not be considered a long and exacting list of warnings, but rather a set of instructions suitable for improving appliance performance in every respect and, above all, preventing injury to persons and animals and damage to property due to improper operating procedures.

All persons involved in appliance transport, installation, commissioning, use and maintenance, repair and disassembly must consult and carefully read this manual before carrying out the various operations, in order to avoid wrong and improper actions that could compromise the appliance's integrity or endanger people. Make sure to periodically inform the user regarding the safety regulations. It is also important to instruct and update personnel authorised to operate on the appliance, regarding its use and maintenance.

The manual must be available to operators and carefully kept in the place where the appliance is used, so that it is always at hand for consultation in case of doubts or whenever required.

If, after reading this manual, there are still doubts regarding appliance use, do not hesitate to contact the Manufacturer or the authorised Service Centre to receive prompt and precise assistance for better operation and maximum efficiency of the appliance. During all stages of appliance use, always respect the current regulations on safety, work hygiene and environmental protection. It is the user's responsibility to make sure the appliance is started and operated only in optimum conditions of safety for people, animals and property.



IMPORTANT

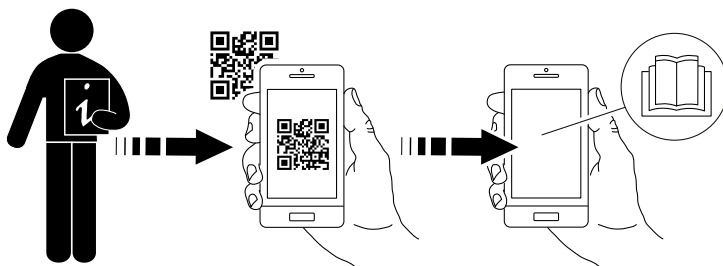
- The manufacturer declines any liability for operations carried out on the appliance without respecting the instructions given in this manual.
- The manufacturer reserves the right to modify the appliances presented in this publication without notice.
- No part of this manual may be reproduced.
- This manual is available in digital format by:
 - contacting the dealer or reference customer care;
 - downloading the latest and up to date manual on the web site www.electroluxprofessional.com;
- The manual must always be kept in an easily accessed place near the appliance. Appliance operators and maintenance personnel must be able to easily find and consult it at any time.

QR Code

Find the QR code identification sticker on the first page of this guide or on appliance to access the website and free open data/files (PNC/serial number, video, documentation etc.).

Make sure to have the application for QR code reading on your device and an internet connection.

Scan the QR code to consult the available documents for this appliance.



Contents

| | | |
|-------|---|----|
| A | WARNING AND SAFETY INFORMATION | 5 |
| A.1 | General information | 5 |
| A.2 | Personal protection equipment | 6 |
| A.3 | General safety | 6 |
| A.4 | Protection devices installed on the appliance | 7 |
| A.5 | Safety signs to be placed on the appliance or near its area | 7 |
| A.6 | Reasonably foreseeable improper use | 8 |
| A.7 | Additional safety information | 8 |
| A.8 | Residual risks | 8 |
| A.9 | Transport, handling and storage | 9 |
| A.10 | Installation and assembly | 9 |
| A.11 | Electrical connection | 10 |
| A.12 | Water connection | 10 |
| A.13 | Positioning | 10 |
| A.14 | Appliance space limitations | 10 |
| A.15 | Appliance cleaning | 11 |
| A.16 | Preventive Maintenance | 11 |
| A.17 | Parts and accessories | 11 |
| A.18 | Precautions for use and maintenance | 11 |
| A.19 | Appliance maintenance | 11 |
| A.20 | Appliance disposal | 12 |
| B | WARRANTY TERMS AND EXCLUSIONS | 12 |
| C | TECHNICAL DATA | 12 |
| C.1 | Data plate position | 12 |
| C.2 | Appliance and manufacturer's identification data | 12 |
| C.3 | How to interpret the factory description | 13 |
| C.4 | Technical data | 13 |
| D | GENERAL INFORMATION | 13 |
| D.1 | Introduction | 13 |
| D.2 | Intended use and restrictions | 13 |
| D.3 | Testing and inspection | 14 |
| D.4 | Copyright | 14 |
| D.5 | Keeping the manual | 14 |
| D.6 | Recipients of the manual | 14 |
| D.7 | Definitions | 14 |
| D.8 | Responsibility | 14 |
| D.9 | Customer packaging checks | 14 |
| D.10 | Storage | 14 |
| E | INSTALLATION DIAGRAMS | 15 |
| E.1 | Installation type | 15 |
| E.2 | Dimension drawings for floor installations | 15 |
| E.3 | Installation and connection diagram | 16 |
| E.4 | Accessing the appliance's internal components | 19 |
| F | INSTALLATION AND ASSEMBLY | 19 |
| F.1 | Introduction | 19 |
| F.2 | Customer's responsibilities | 19 |
| F.3 | Before installation | 19 |
| F.4 | Installing on concrete plinth | 19 |
| F.5 | Installing on steel plinth or adjustable feet | 20 |
| F.6 | Disposal of packing | 20 |
| F.7 | Securing or adjusting to the floor (optional) | 20 |
| F.8 | Wall installation (only for 24,5 – 40 litres models) | 21 |
| F.8.1 | Preparing the brackets | 21 |
| F.8.2 | Positioning | 21 |
| F.8.3 | Securing and set up | 21 |
| F.9 | Fastening multiple appliances together | 21 |
| F.10 | Side panels and base models | 22 |
| F.11 | Fixing the side panels with a 12,5 mm overhang | 22 |
| F.12 | Fixing the side cover without overhang | 23 |
| F.13 | Sealing | 24 |
| G | ELECTRICAL INSTALLATION | 24 |
| G.1 | Mains connection | 24 |
| G.2 | Power cable | 24 |
| G.3 | Potential equalisation | 24 |
| G.4 | Connect to power supply | 25 |
| H | CONNECTING THE WATER SUPPLY | 25 |
| H.1 | Water connection | 25 |
| H.2 | Drinking water supply | 25 |
| H.3 | Backflow protection | 25 |
| H.4 | Water drain | 25 |

| | | |
|-------|--|----|
| I | NORMAL APPLIANCE USE..... | 26 |
| I.1 | Characteristics of personnel enabled to operate on the appliance | 26 |
| I.2 | Basic requirements for appliance use..... | 26 |
| J | PRODUCT DESCRIPTION | 26 |
| J.1 | Electric pasta cooker 24,5 – 40 litres | 26 |
| J.1.1 | Appliance overview | 26 |
| J.1.2 | Temperature control..... | 26 |
| J.1.3 | Capacity control..... | 26 |
| J.2 | Electric pasta cooker 2 x 5 litres | 27 |
| J.2.1 | Appliance overview | 27 |
| J.2.2 | Temperature control..... | 27 |
| J.3 | Use | 27 |
| J.4 | Glass display | 27 |
| J.5 | Steel dashboard | 27 |
| K | OPERATING..... | 28 |
| K.1 | First use | 28 |
| K.2 | Electric pasta cooker 24,5 – 40 litres | 28 |
| K.2.1 | Filling up the tank | 28 |
| K.2.2 | Switching on-off | 28 |
| K.2.3 | The cooking process..... | 28 |
| K.3 | Electric pasta cooker 2 x 5 litres | 28 |
| K.3.1 | Filling up the tank | 28 |
| K.3.2 | Switching on-off | 28 |
| K.3.3 | The cooking process..... | 28 |
| K.4 | Stand-by mode | 29 |
| K.5 | Emptying the tank | 29 |
| K.6 | Main switch (optional)..... | 29 |
| K.7 | Handrail (optional) | 29 |
| L | APPLIANCE CLEANING AND MAINTENANCE..... | 29 |
| L.1 | Care information..... | 29 |
| L.2 | Cleaning introduction..... | 29 |
| L.3 | Stainless steel surfaces | 30 |
| L.4 | Colored surfaces | 30 |
| L.5 | Surfaces blackened by heat | 30 |
| L.6 | Descaling | 30 |
| L.7 | Drain and overflow openings | 30 |
| L.8 | Air filter (optional) | 30 |
| L.9 | Periods of non-use..... | 31 |
| L.10 | Informations for maintenance | 31 |
| L.11 | Maintenance intervals..... | 31 |
| M | TROUBLESHOOTING | 31 |
| M.1 | Introduction | 31 |
| M.2 | Troubleshooting | 32 |
| N | APPLIANCE DISPOSAL..... | 32 |
| N.1 | Procedure regarding appliance disposal | 32 |
| N.1.1 | Recyclability..... | 32 |
| N.1.2 | Procedure regarding appliance disposal and component / material recovery | 32 |

A WARNING AND SAFETY INFORMATION

A.1 General information

To ensure safe use of the appliance and a proper understanding of the manual it is necessary to be familiar with the terms and typographical conventions used in the documentation. The following symbols are used in the manual to indicate and identify the various types of hazards:



WARNING

Danger for the health and safety of operators.



WARNING

Danger of electrocution - dangerous voltage.



CAUTION

Risk of damage to the appliance or the product.



IMPORTANT

Important instructions or information on the product



Equipotentiality



Read the instructions before using the appliance








Clarifications and explanations

- Only specialised personnel are authorised to operate on the appliance.
- This appliance is to be intended for commercial and collective use, for example in kitchens of restaurants, canteens, hospitals and in commercial enterprises such as bakeries, butcheries, etc., not for continuous mass production of food. Any other use is deemed improper.
- The appliance is not intended to be used in an area open to the public.
- This appliance must not be used by minors and adults with limited physical, sensory or mental abilities or without adequate experience and knowledge regarding its use.
- Do not let children play with the appliance.
- Keep all packaging and detergents away from children.
- For your safety do not store or use gasoline or other flammable materials, vapours and liquids in the vicinity of this or any other appliance.
- Do not store explosive substances, such as pressurized containers with flammable propellant, in this appliance.
- Refer to the data given on the appliance's data plate for relations with the Manufacturer (e.g. when ordering spare parts, etc.).
- When scrapping the appliance, the marking CE must be destroyed.
- Save these instructions carefully for further consultation by the various operators.

A.2 Personal protection equipment

Summary table of the Personal Protection Equipment (PPE) to be used during the various stages of the appliance's service life.

| Stage | Protective garments  | Safety footwear  | Gloves  | Glasses  | Safety helmet  |
|------------------------|--|--|---|--|--|
| Transport | — | ● | ○ | — | ○ |
| Handling | — | ● | ● | — | — |
| Unpacking | ○ | ● | ● | — | — |
| Installation | — | ● | ● ¹ | — | — |
| Normal use | ○ | ○ | ○ ² | ○ | — |
| Adjustments | — | ○ | — | — | — |
| Routine cleaning | ○ | ● | ● ¹⁻³ | ○ | — |
| Extraordinary cleaning | ○ | ● | ● ¹⁻³ | ○ | — |
| Maintenance | ○ | ● | ● | — | — |
| Dismantling | ○ | ● | ● | — | — |
| Scrapping | ○ | ● | ● | — | — |
| Key: | | | | | |
| ● | PPE REQUIRED | | | | |
| ○ | PPE AVAILABLE OR TO BE USED IF NECESSARY | | | | |
| — | PPE NOT REQUIRED | | | | |

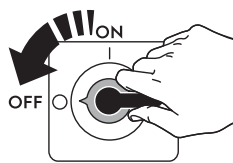
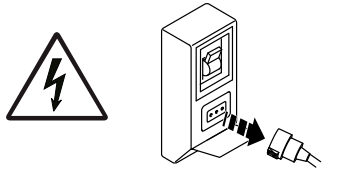
1. During these operations, gloves must be cut-resistant. Failure to use the personal protection equipment by operators, specialized personnel or users can involve exposure to harm to health (depending on the model).

2. During these operations, gloves must be heatproof to protect hands from contact with hot food or hot parts of the appliance and/or when removing hot items from it. Failure to use the personal protection equipment by operators, specialised personnel or users can involve exposure to chemical risk and cause possible harm to health (depending on the model).

3. During these operations, gloves must be suitable for contact with chemical substances used (refer to the safety data sheet of the substances used for information regarding the required PPE). Failure to use the personal protection equipment by operators, specialized personnel or users can involve exposure to chemical risk and cause possible harm to health (depending on the model).

A.3 General safety

- The appliances are provided with electric and/or mechanical safety devices for protecting workers and the appliance itself.
- Never operate the appliance, removing, modifying or tampering with the guards, protection or safety devices.
- Do not make any modifications to the parts supplied with the appliance.
- Several illustrations in the manual show the appliance, or parts of it, without guards or with guards removed. This is purely for explanatory purposes. Do not use the appliance without the guards or with the protection devices deactivated.



Disconnect the appliance from the power supply before carrying out any installation, assembly, cleaning or maintenance procedure.

- Do not remove, tamper with or make illegible the CE marking, the safety, danger and instruction signs and labels on the appliance.
- The A-weighted emission sound pressure level does not exceed 70 dB(A).
- Do not use products (even if diluted) containing chlorine (sodium hypochlorite, hydrochloric or muriatic acid, etc.) to clean the appliance or the floor under it.
- Carefully avoid exposure of the equipment to ozone - do not use ozonizers in the rooms where the equipment is installed.
- Do not spray aerosols in the vicinity of this appliance while it is in operation.
- The following operations have to be carried out by specialised authorised personnel or Customer Care Service provided with all the appropriate personal protection equipment (A.2 *Personal protection equipment*), tools, utensils and ancillary means, who can ask the manufacturer to supply a servicing manual:
 - Installation and assembly
 - Positioning
 - Electrical connection
 - Appliance cleaning, repair and extraordinary maintenance
 - Appliance disposal
 - Work on electrical equipment




A.4 Protection devices installed on the appliance



Guards

The appliance has:

- fixed guards (e.g. casings, covers, side panels, etc.), fixed to the appliance and/or frame with screws or quick-release connectors that can only be removed or opened with tools; therefore the user must not remove or tamper with such devices. The Manufacturer declines any liability for damage due to tampering or their non-use;
- interlocked movable guards (door) for access inside the appliance;
- appliance electrical equipment access panels or doors, made from hinged panels openable with tools. The panel or the door must not be opened when the appliance is connected to the power supply.

A.5 Safety signs to be placed on the appliance or near its area

| Prohibition | Meaning |
|---|--|
|  | do not remove the safety devices |
|  | do not use water to extinguish fires (placed on electrical parts) |
|  | Keep the area around the appliance clear and free from combustible materials. Do not keep flammable materials in the vicinity of the appliance |

| Danger | Meaning |
|--|--|
|  | caution hot surface |
|  | danger of electrocution (shown on electrical parts with indication of voltage) |

A.6 Reasonably foreseeable improper use

Improper use is any use different from that specified in this manual. During appliance operation, other types of work or activities deemed improper and that in general can involve risks for the safety of operators and damage to the appliance are not allowed. Reasonably foreseeable improper use includes:

- lack of appliance maintenance, cleaning and periodical checks;
- structural changes or modifications to the operating logic;
- tampering with the guards or safety devices;
- failure to use personal protection equipment by operators, specialised personnel and maintenance personnel;
- failure to use suitable accessories (e.g. use of unsuitable equipment or ladders);
- keeping combustible or flammable materials, or in any case materials not compatible with or pertinent to the work, near the appliance;
- wrong appliance installation;
- placing in the appliance any objects or things not compatible with its use, or that can damage the appliance, cause injury or pollute the environment;
- climbing on the appliance;
- non-compliance with the requirements for correct appliance use;
- other actions that give rise to risks not eliminable by the Manufacturer.

A.7 Additional safety information



CAUTION

Never use this appliance for frying.

A.8 Residual risks

The appliance has several risks that were not completely eliminated from a design standpoint or with the installation of adequate protection devices. Nevertheless, through this manual the Manufacturer has taken steps to inform operators of such risks, carefully indicating the personal protection equipment to be used by them. In order to reduce the risks, provide for sufficient spaces while installing the unit.

To preserve these conditions, the areas around the appliance must always be:

- kept free of obstacles (e.g. ladders, tools, containers, boxes, etc.);
- clean and dry;
- well lit.

For the Customer's complete information, the residual risks remaining on the appliance are indicated below: such actions are deemed improper and therefore strictly forbidden.

| Residual risk | Description of hazardous situation |
|---|---|
| Slipping or falling | The operator can slip due to water, any liquid or dirt on the floor |
| Burns/abrasions (e.g. heating elements, cold pan, cooling circuit plates and pipes) | The operator deliberately or unintentionally touches some components inside the appliance without using protective gloves. |
| Electrocution | Contact with live parts during maintenance operations carried out with the electrical panel powered |
| Tipping of loads | When handling the appliance or the packing containing it, using unsuitable lifting systems or accessories or with the unbalanced load |
| Chemical | Contact with chemical substances (e.g. detergent, rinse aid, scale remover, etc.) without taking adequate safety precautions. Therefore always refer to the safety cards and labels on the products used. |
| Sudden closure | The operator for normal appliance use could suddenly and deliberately close the door/drawers (if present, depending on the appliance type). |

A.9 Transport, handling and storage

- Transport (i.e. transfer of the appliance from one place to another) and handling (i.e. transfer inside workplaces) must occur with the use of special and adequate means.
- Please refer to indications on packaging for stackability during transport, handling and storage.
- Do not stand under suspended loads during loading or unloading operations. Unauthorized personnel must not enter the work area.
- The weight of the appliance alone is not sufficient to keep it steady.
- For appliance handling, do not lift and anchor it to movable or weak parts such as: casings, electrical raceways, pneumatic parts, etc.
- Do not push or pull the appliance to move it, as it may tip over. Use proper tool to lift the appliance.
- Arrange a suitable area with flat floor for appliance unloading and storage operations.
- Appliance transport, handling, shifting and storage personnel must be adequately instructed and trained regarding the safely use of lifting systems and personal protection equipment suitable for the type of operation carried out.
- When removing the anchoring systems, make sure the stability of the appliance parts does not depend on the anchoring and, therefore, that this operation does not cause the load to fall off the vehicle. Before unloading the appliance components, make sure all the anchoring systems are removed.

A.10 Installation and assembly

- The operations described must be carried out in compliance with the current safety regulations and provisions in force in the country of use.
- The plug, if present, must be accessible after positioning the appliance in the place of installation.
- The appliance is not suitable for installation outdoors and/or in places exposed to atmospheric agents (rain, direct sunlight, etc.).

A.11 Electrical connection

- The power supply system must be suitable for the rated current of the connected appliance; the connection must be carried out in compliance with the regulations and provisions in force in the country of use.
- The information regarding the appliance power supply voltage and frequency is given on the data plate.
- Install between the power cable and the electric line a differential thermal-magnetic switch suitable for the absorption specified on the data plate, with contact gap enabling complete disconnection in category III overvoltage conditions and complying with the regulations in force.

For the correct sizing of the switch or plug, refer to the absorbed current specified on the appliance data plate.

- If the power cable is damaged or too short, it must be replaced by the Customer Care Service or in any case by specialised personnel, in order to prevent any risk.
- The manufacturer declines any liability for damage or injury resulting from breach of the above rules or non-compliance with the electrical safety regulations in force in the country where the appliance is used.
- Verify that a safety circuit breaker is installed between the power cable of the appliance and the mains electric line. The contact opening max. distance and leakage current must comply with the local safety regulations.
- In case of electrical permanent connection: the device must be lockable in the open position and accessible even after the appliance is installed in its place.

A.12 Water connection

- **Water connection must be carried out in compliance with the regulations and provisions in force with the country.**
- The appliance must be supplied with drinking water at a pressure of 1,5 – 3 bar (150 – 300 kPa).
-



WARNING

The manufacturer declines any liability if the safety regulations are not respected.

A.13 Positioning

- Install the appliances, taking all the safety precautions required for this type of operation, also respecting the relevant fire-prevention measures.
- The installation diagram gives the appliance overall dimensions and the position of connections (gas, electricity, water). Check that they are available and ready for making all the necessary connections.
- Prevent the areas where the appliance is installed to be polluted with corrosive substances (chlorine, etc.). The manufacturer declines any liability for corrosive effects due to external causes.

A.14 Appliance space limitations

- Do not install the appliance on flammable walls. If an appliance is set up next to or against temperature-sensitive walls, maintain a distance of at least 50 mm between the appliance and any combustible walls or in any case an adequate space to enable subsequent servicing or maintenance operations.
- A suitable space must be left around the appliance (for operations, maintenance, etc.).

- This space must be increased in case of use and/or transfer of other equipment and/or means or if exit routes are necessary inside the workplace.

A.15 Appliance cleaning

- Do not touch the appliance with wet hands or feet or when barefoot.
- Put the appliance in safe conditions before starting any cleaning operation.
- Do not allow oil or grease to come into contact with plastic parts. Do not allow dirt, fat, food or other residuals to form deposits on the appliance.
- Respect the requirements for the various routine and extraordinary maintenance operations. Non-compliance with the instructions can create risks for personnel.
- Do not spray water or use water jets, steam cleaner or high pressure cleaner.

A.16 Preventive Maintenance

In order to ensure the safety and performance of your equipment, it is recommended that service is undertaken by Electrolux Professional authorised engineers every 12 months, in accordance with Electrolux Professional Service Manuals. Please contact your local Electrolux Professional Service Centre for further details.

A.17 Parts and accessories

Use only original accessories and/or spare parts. Failure to use original accessories and/or spare parts will invalidate the original manufacturer warranty and may render the appliance not compliant with the safety standard.

A.18 Precautions for use and maintenance

- Risks mainly of a mechanical, thermal and electrical nature exist in the appliance. Where possible the risks have been neutralised:
 - directly, by means of adequate design solutions.
 - indirectly by using guards, protection and safety devices.
- During maintenance several risks remain, as these could not be eliminated, and must be neutralised by adopting specific measures and precautions.
- Do not carry out any checking, cleaning, repair or maintenance operations on moving parts. Workers must be informed of this prohibition by means of clearly visible signs.
- Make sure to periodically check correct operation of all the safety devices and the insulation of electrical cables, which must be replaced if damaged.

In case of a significant anomaly (e.g. short circuits, wires coming out of the terminal block, motor breakdowns, worn electrical cable sheathing, etc.) the operator for normal appliance use must:

- immediately deactivate the appliance and disconnect all the supplies (electricity, gas, water).

Before carrying out any operation on the appliance, always consult the manual which gives the correct procedures and contains important information on safety.

A.19 Appliance maintenance

- The inspection and maintenance intervals depend on the actual appliance operating conditions and ambient conditions (presence of dust, damp, etc.), therefore precise time intervals cannot be given. In any case, careful and periodical appliance maintenance is advisable in order to minimise service interruptions.
- It is advisable to stipulate a preventive and scheduled maintenance contract with the Customer Care Service.
- Put the appliance in safe conditions before starting any maintenance operation.

A.20 Appliance disposal

- Make the appliance unusable by removing the power cable and any compartment closing devices, to prevent the possibility of someone becoming trapped inside.

B WARRANTY TERMS AND EXCLUSIONS

If the purchase of this product includes warranty coverage, warranty is provided in line with local regulations and subject to the product being installed and used for the purposes as designed, and as described within the appropriate equipment documentation.

Warranty will be applicable where the customer has used only genuine spare parts and has performed maintenance in accordance with Electrolux Professional user and maintenance documentation made available in paper or electronic format.

Electrolux Professional strongly recommends using Electrolux Professional approved cleaning, rinse and descaling agents to obtain optimal results and maintain product efficiency over time.

The Electrolux Professional warranty does not cover:

- service trips cost to deliver and pick up the product;
- installation;
- training on how to use/operate;
- replacement (and/or supply) of wear and tear parts unless resulting from defects in materials or workmanship reported within one (1) week from the failure;
- correction of external wiring;
- correction of unauthorized repairs as well as any damages, failures and inefficiencies caused by and/or resulting from:
 - insufficient and/or abnormal capacity of the electrical systems (current/voltage/frequency, including spikes and/or outages);
 - inadequate or interrupted water supply, steam, air, gas (including impurities and/or other that does not comply with the technical requirements for each appliance);
 - plumbing parts, components or consumable cleaning products that are not approved by the manufacturer;

- customer's negligence, misuse, abuse and/or non-compliance with the use and care instructions detailed within the appropriate equipment documentation;
 - improper or poor: installation, repair, maintenance (including tampering, modifications and repairs carried out by third parties not authorized) and modification of safety systems;
 - Use of non-original components (e. g.: consumables, wear and tear, or spare parts);
 - environment conditions provoking thermal (e. g. overheating/freezing) or chemical (e. g. corrosion/oxidation) stress;
 - foreign objects placed in- or connected to- the product;
 - accidents or force majeure;
 - transportation and handling, including scratches, dents, chips, and/or other damage to the finish of the product, unless such damage results from defects in materials or workmanship and is reported within one (1) week of delivery unless otherwise agreed;
- product with original serial numbers that have been removed, altered or cannot be readily determined;
 - replacement of light bulbs, filters or any consumable parts;
 - any accessories and software not approved or specified by Electrolux Professional.

Electrolux Professional warranty will be void and manufacturer shall have no liability related thereto in case of any modification of the product or related hardware/software/programming.

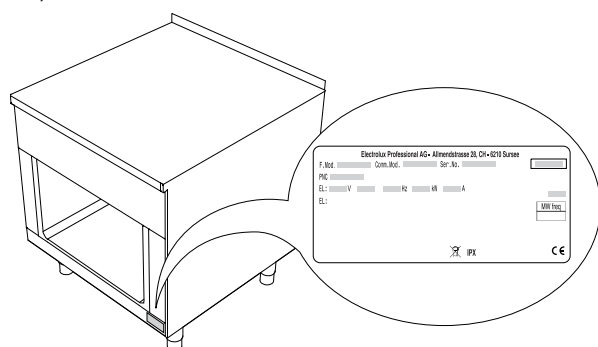
Warranty does not include scheduled maintenance activities (including the parts required for it) or the supply of cleaning agents unless specifically covered within any local agreement, subject to local terms and conditions.

Check on Electrolux Professional website the list of authorized customer care.

C TECHNICAL DATA

C.1 Data plate position

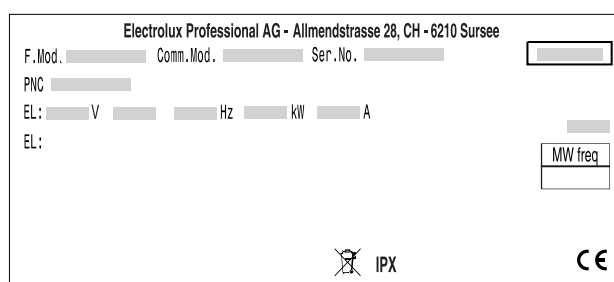
The data plate is located in the lower right corner (see fig. below).



C.2 Appliance and manufacturer's identification data



The data plate gives the product identification and technical data.

An example of the marking or data plate on the appliance is given below:



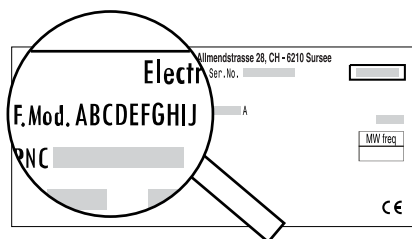
The meaning of the various information given on it is listed below:

| | |
|-----------|--------------------------------------|
| F.Mod. | factory description of product |
| Comm.Mod. | commercial description |
| PNC | production number code |
| Ser.No. | serial number |
| Type ref. | certification group of the appliance |
| V | power supply voltage |
| Hz | power supply frequency |
| kW | power input |
| A | absorbed current |

| | |
|---|----------------------------------|
|  | CE marking |
|  | WEEE symbol |
| IPX5 | dust and water protection rating |

C.3 How to interpret the factory description

The factory description on the data plate has the following meaning:



| | | | | | | | | | |
|---|---|---|---|---|---|---|---|---|----|
| A | B | C | D | E | F | G | H | I | J |
| 1 | 2 | 3 | 4 | 5 | 6 | 7 | 8 | 9 | 10 |

1 - Product line

| | |
|---|---------|
| M | Modular |
|---|---------|

2 - Family (depth)

| | |
|---|--------|
| A | 800 mm |
| B | 850 mm |
| C | 900 mm |

3 - Machine type

| | |
|---|--------------|
| K | Pasta cooker |
|---|--------------|

C.4 Technical data

Certification group: THPCE.

Pasta cooker 2x5 litres

| | Holding capacity Litres per tank – no. of tanks | Electrical power kW | Voltage / Phases V / Nr | Frequency Hz | Power supply cable section mm ² | Amperage A |
|------------|---|------------------------|----------------------------|-----------------|--|---------------|
| MAKA**DDAO | 5 - 2 | 5 | 400 V / 3N | 50 – 60 | 1,5 | 7,2 |
| MBKA**DDAO | 5 - 2 | 5 | 400 V / 3N | 50 – 60 | 1,5 | 7,2 |
| MCKA**DDAO | 5 - 2 | 5 | 400 V / 3N | 50 – 60 | 1,5 | 7,2 |

Pasta cooker 24,5 – 40 litres

| | Holding capacity Litres | Electrical power kW | Voltage / Phases V / Nr | Frequency Hz | Power supply cable section mm ² | Amperage A |
|---------------------------------|----------------------------|------------------------|----------------------------|-----------------|--|---------------|
| M A/B/C K C ** D D A O | 24,5 | 6 | 400 V / 3N | 50 – 60 | 1,5 | 8,7 |
| M A/B/C K E ** D D A O | 40 | 10 | 400 V / 3N | 50 – 60 | 1,5 | 14,4 |
| M C K C ** D D D M ¹ | 24,5 | 6 | 440 V / 3 | 60 | 1,5 | 7,9 |
| M C K E ** D D D M ¹ | 40 | 10 | 440 V / 3 | 60 | 1,5 | 13,2 |

1. On special request also available with 400V/3~/50Hz

4 - Size / Zones / Details

| | |
|---|--------------------------------|
| A | small , 2 tanks, 5 litres each |
| C | medium, 1 tank, 24,5 litres |
| E | large, 1 tank, 40 litres |

5 - Module type (height)

| | |
|---|---------------------------|
| E | 700 mm, glass front panel |
| F | 800 mm, glass front panel |
| G | 700 mm, steel front panel |

6 - User operating

| | |
|---|--------------------------|
| A | one side |
| B | one side with splashback |

7 - Width

| | |
|---|--------|
| D | 400 mm |
|---|--------|

8 - Base combination

| | |
|---|-----------------------------|
| D | drain with door compartment |
|---|-----------------------------|

9 - Power supply

| | |
|---|----------------------------------|
| A | 400 V / 3N ~ 50-60 Hz (standard) |
| D | 440 V / 3 ~ 50-60 Hz (marine) |

10 - Option

| | |
|---|------------|
| M | Marine |
| O | No options |

D GENERAL INFORMATION

D.1 Introduction

This manual contains information relevant to various appliances. The product images in this guide are only an example.

The drawings and diagrams given in the manual are not in scale. They supplement the written information with an outline, but are not intended to be a detailed representation of the appliance supplied.

The numerical values given on the appliance installation diagrams refer to measurements in millimeters and/or inches.

D.2 Intended use and restrictions

This appliance is designed for cooking food. It is intended for collective use.

Any other use is deemed improper.



NOTE!

The manufacturer declines any liability for improper use of the product.

D.3 Testing and inspection

Our appliances have been designed and optimized, with laboratory testing, in order to obtain high performance and efficiency.

The appliance is shipped ready for use.

Passing of the tests (visual inspection - gas/electrical test - functional test) is guaranteed and certified by the specific enclosures.

To ensure protection class compliance, all seals must remain in perfect condition and all components must be properly assembled after installation, repairs and maintenance work.

D.4 Copyright

This manual is intended solely for consultation by the operator and can only be given to third parties with the permission of Electrolux Professional.

D.5 Keeping the manual

The manual must be carefully kept for the entire life of the appliance, until scrapping. The manual must stay with the appliance in case of transfer, sale, hire, granting of use or leasing.

D.6 Recipients of the manual

This manual is intended for:

- the carrier and handling personnel;
- installation and commissioning personnel;
- the employer of appliance users and the workplace manager;
- operators for normal appliance use;
- specialised personnel - Customer Care service (see service manual).

D.7 Definitions

Listed below are the definitions of the main terms used in the manual. It is advisable to read them carefully before use.

| | |
|--|--|
| Operator | appliance installation, adjustment, use, maintenance, cleaning, repair and transport personnel. |
| Manufacturer | Electrolux Professional or any other service centre authorised by Electrolux Professional. |
| Operator for normal appliance use | an operator who has been informed and trained regarding the tasks and hazards involved in normal appliance use. |
| Customer Care service or specialised personnel | an operator instructed/trained by the Manufacturer and who, based on his professional and specific training, experience and knowledge of the accident-prevention regulations, is able to appraise the operations to be carried out on the appliance and recognise and prevent any risks. His professionalism covers the mechanical, electrotechnical and electronics fields etc. |
| Danger | source of possible injury or harm to health. |
| Hazardous situation | any situation where an operator is exposed to one or more hazards. |
| Risk | a combination of probabilities and risks of injury or harm to health in a hazardous situation. |
| Protection devices | safety measures consisting of the use of specific technical means (guards and safety devices) for protecting operators against risks. |
| Guard | an element of a appliance used in a specific way to provide protection by means of a physical barrier. |
| Safety device | a device (other than a guard) that eliminates or reduces the risk; it can be used alone or in combination with a guard. |

| | |
|---------------|--|
| Customer | the person who purchased the appliance and/or who manages and uses it (e. g. company, entrepreneur, firm). |
| Electrocution | an accidental discharge of electric current on a human body. |

D.8 Responsibility

The Manufacturer declines any liability for damage and malfunctioning caused by:

- non-compliance with the instructions contained in this manual;
- repairs not carried out in a workmanlike fashion, and replacements with parts different from those specified in the spare parts catalogue (the fitting and use of non-original spare parts and accessories can negatively affect appliance operation and invalidates the original manufacturer warranty);
- operations carried out by non-specialised personnel;
- unauthorized modifications or operations;
- missing, lack or inadequate maintenance;
- improper appliance use;
- unforeseeable extraordinary events;
- use of the appliance by uninformed and / or untrained personnel;
- non-application of the current provisions in the country of use, concerning safety, hygiene and health in the workplace.

The Manufacturer declines any liability for:

- damage caused by arbitrary modifications and conversions carried out by the user or the Customer;
- inaccuracies contained in the manual, if due to printing or translation errors.

The employer, workplace manager or service technician are responsible for identifying and choosing adequate and suitable personal protection equipment to be worn by operators, in compliance with regulations in force in the country of use.

Any supplements to the installation, use and maintenance manual the Customer receives from the Manufacturer will form an integral part of the manual and therefore must be kept together with it.

D.9 Customer packaging checks

- The forwarder is responsible for the goods during transport and delivery.
- Make a complaint to the forwarder in case of visible or hidden damage.
- Specify any damage or shortages on the dispatch note.
- The driver must sign the dispatch note: the forwarder can reject the claim if the dispatch note is not signed (the forwarder can provide the necessary form).
- For hidden damage or shortages becoming apparent only after unpacking, request the forwarder for inspection of the goods within and no later than 15 days after delivery.

After packaging checks

1. Remove the packaging.
Take care when unpacking and handling of the appliance to not cause any shocks on itself.
2. Keep all the documentation contained in the packaging.

D.10 Storage

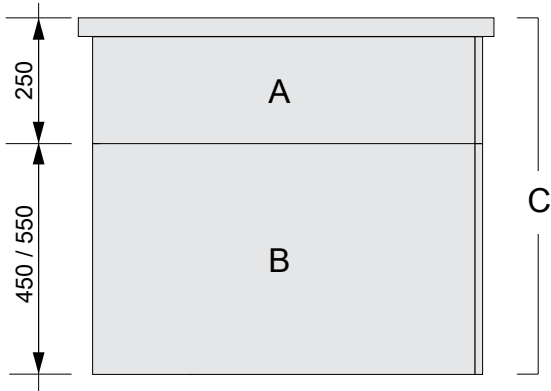
The appliance and/or its parts must be stored and protected from damp, in a non-aggressive place, free of vibrations and with room temperatures between 5°C and 50°C.

The place where the appliance is stored must:

- can take the appliance load,
- have a flat support surface to avoid deforming the appliance or damage to the support feet.

E INSTALLATION DIAGRAMS

E.1 Installation type



When describing our appliances, we distinguish between top modules **A**, base modules **B** and factory-assembled units **C**. Top and base modules can be set up together or as individual units.

The appliance must always be installed in its intended location according to the relevant installation and connection diagrams (E *Installation diagrams*).

The appliance should be connected to fixed cables.

Installation options:

1. **Standing against the wall**
 - on adjustable feet
 - on steel bases
 - on concrete plinth
2. **Free standing**
 - on adjustable feet
 - on steel bases
 - on concrete plinth
3. **Wall mounted**
(not available for all appliances)

The appliances are suitable for setting up as single appliances or as a group of appliances.

They can be positioned freely in the space provided, side by side, against a wall or back-to-back. When installing side by side, appliances are connected to a rail.

Different wall frames are used when setting up against a wall.



NOTE!

When installing the appliance on a steel or concrete plinth, the bottom plate must not be mounted.

E.2 Dimension drawings for floor installations

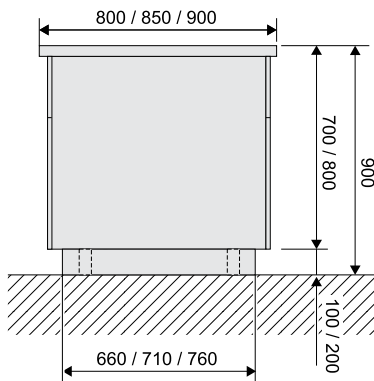


CAUTION

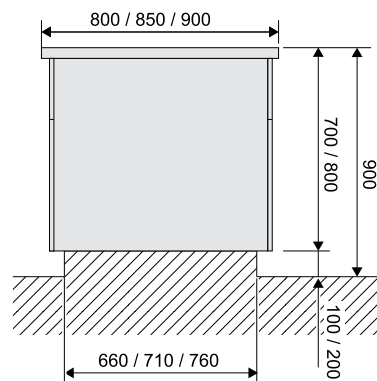
When installing with concrete plinth, the wall niche must be at least 70 mm deep but must not exceed 100 mm to ensure the appliance has a solid base and sufficient ventilation inside it.

Floor installation options:

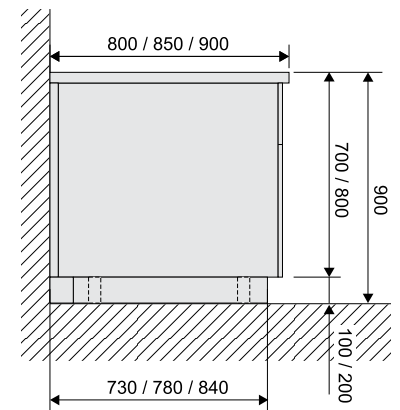
1. On steel plinth or adjustable feet



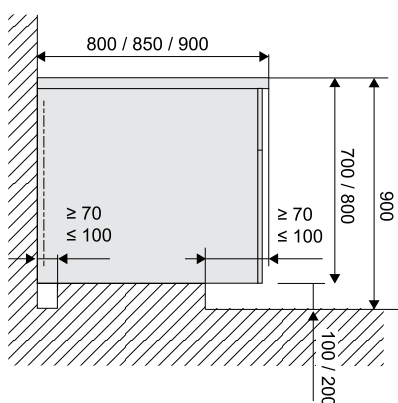
2. On concrete plinth



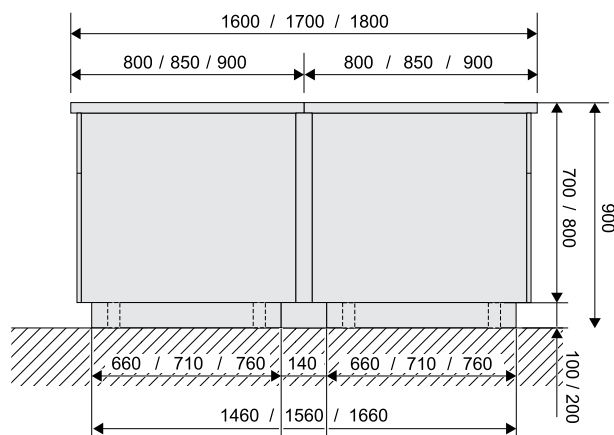
3. Against the wall on steel plinth or adjustable feet



4. Against the wall on concrete plinth

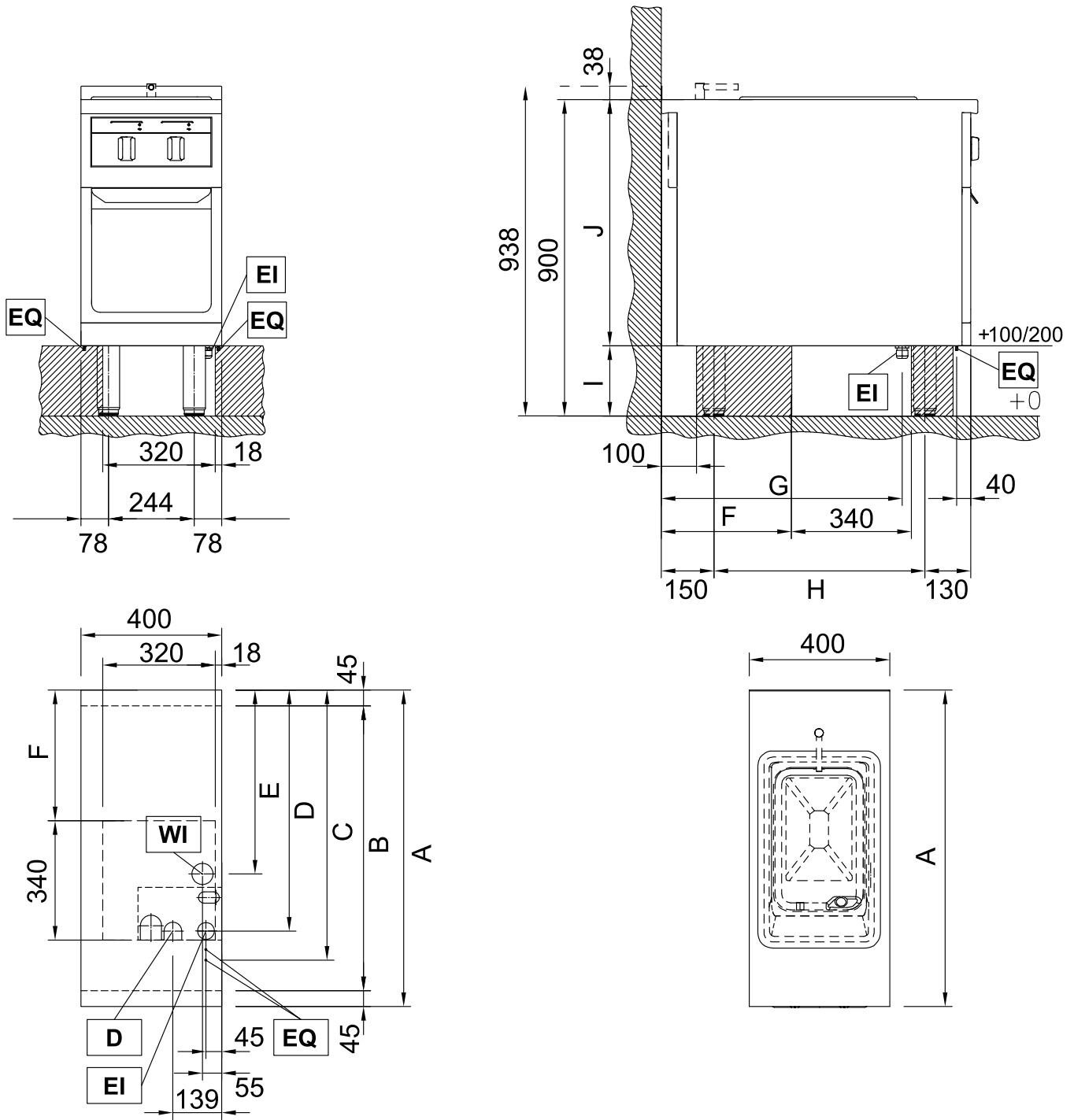


5. Back to back



**NOTE!**

Please note that not all models are available in the depths shown on the diagram.

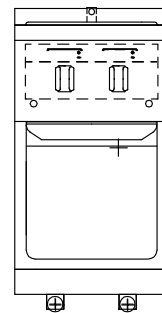
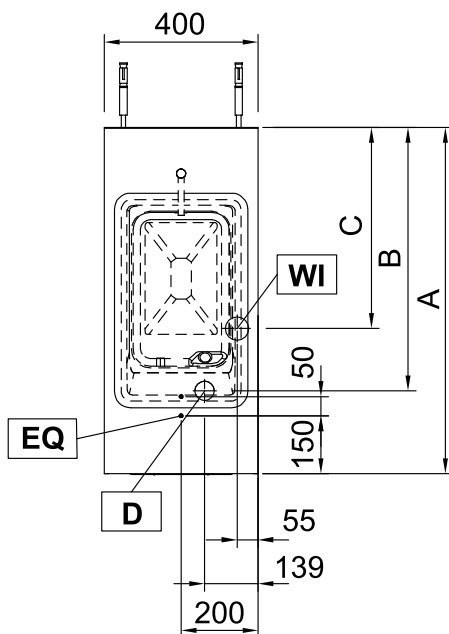
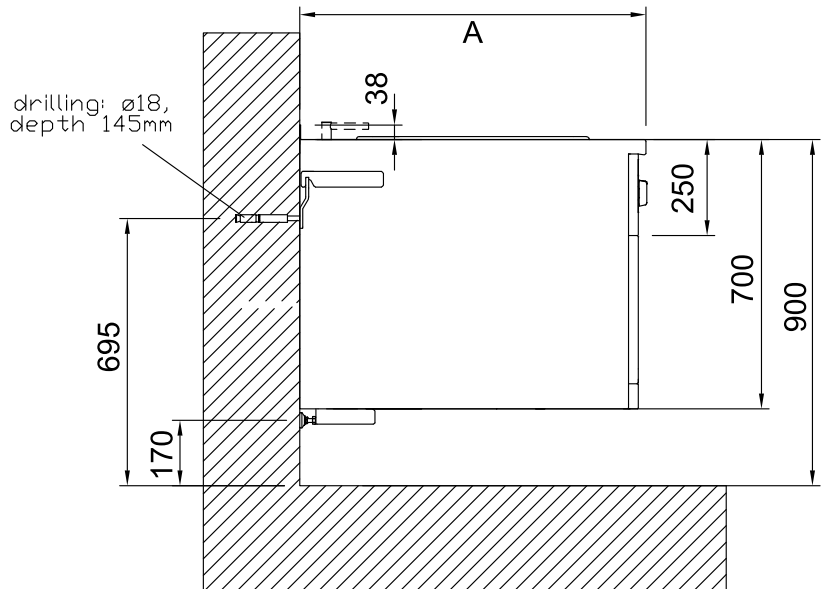
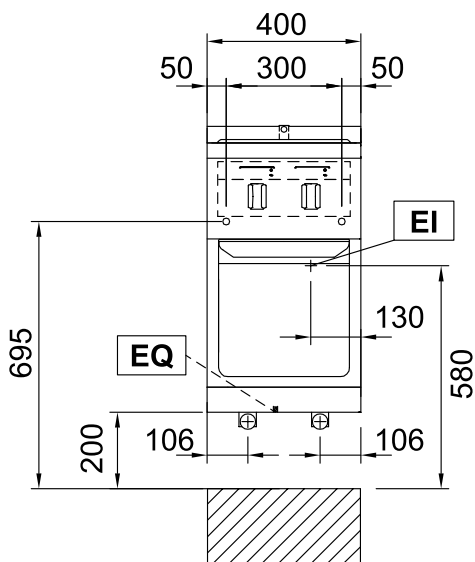
E.3 Installation and connection diagram*Pasta cooker 24,5 – 40 litres*

- EI = Electrical connection
- EQ = Potential equalisation
- (x)* = Protective panel
- WI = Water inlet
- D = Drain

| A | B | C | D | E | F | G | H |
|-----|-----|-----|-----|-----|-----|-----|-----|
| 800 | 710 | 668 | 585 | 423 | 271 | 585 | 500 |
| 850 | 760 | 718 | 635 | 473 | 321 | 635 | 550 |
| 900 | 810 | 768 | 685 | 526 | 371 | 685 | 600 |

| I | J |
|-----|-----|
| 200 | 700 |
| 100 | 800 |

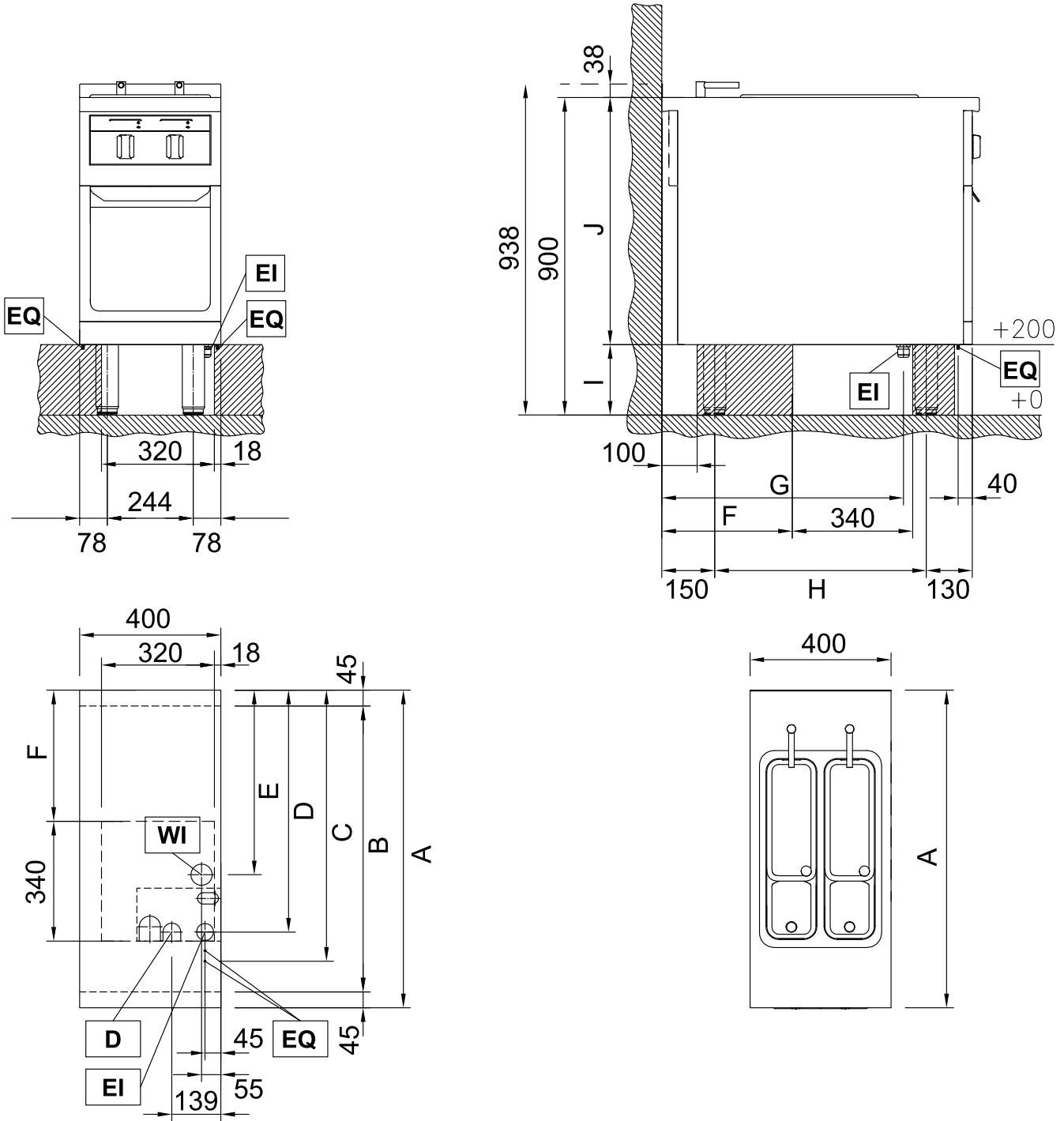
Wall mounted pasta cooker 24,5 – 40 litres



- EI = Electrical connection
- EQ = Potential equalisation
- (x)* = Protective panel
- WI = Water inlet
- D = Drain

| A | B | C |
|-----|-----|-----|
| 850 | 635 | 488 |
| 900 | 685 | 538 |

Pasta cooker 2x5 litres

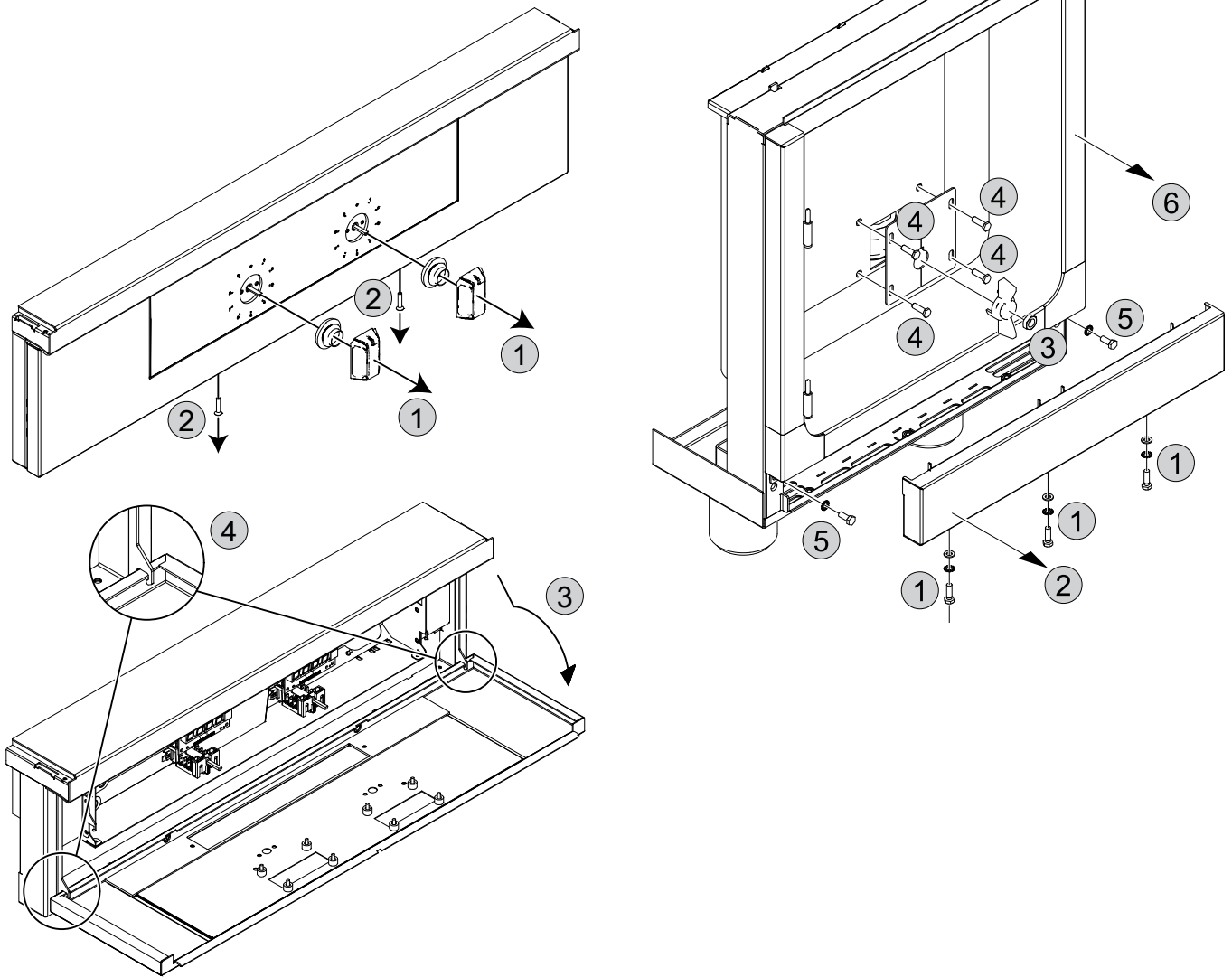


EI = Electrical connection
 EQ = Potential equalisation
 (x)* = Protective panel
 WI = Water inlet
 D = Drain

| A | B | C | D | E | F | G | H |
|-----|-----|-----|-----|-----|-----|-----|-----|
| 800 | 710 | 668 | 585 | 423 | 271 | 585 | 500 |
| 850 | 760 | 718 | 635 | 437 | 321 | 635 | 550 |
| 900 | 810 | 768 | 685 | 523 | 371 | 685 | 600 |

| I | J |
|-----|-----|
| 200 | 700 |
| 100 | 800 |

E.4 Accessing the appliance's internal components



F INSTALLATION AND ASSEMBLY

F.1 Introduction



WARNING

Refer to “*WARNING and Safety Information*”.

To ensure correct operation of the appliance and maintain safe conditions during use, carefully follow the instructions given in this chapter.

Check and, if necessary, level the appliance after positioning. Incorrect levelling can cause appliance malfunctioning.

F.2 Customer's responsibilities

The tasks and works required of the Customer are:

- check the floor planarity on which the appliance is placed;
- arrange an earthed power socket of suitable capacity for the input specified on the data plate;
- prearrange a high-sensitivity manual-reset magneto-thermal circuit-breaker;
- prearrange a device lockable in the open position for the connection to the power supply.
- Do not install the unit in environments where temperatures may fall below 0°C [32°F] or rise above 40°C [104°F].



NOTE!

For information regarding the electrical connection, refer to “A.11 *Electrical connection*”.

F.3 Before installation

Depending on your model, prepare the following before the appliance is installed and positioned correctly:

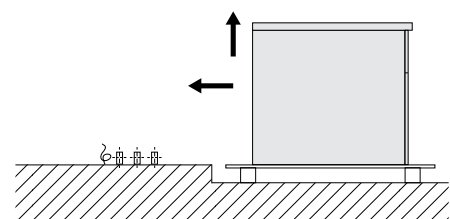
- Fastening elements, i.e. drill holes and insert dowels. You can find accompanying notes in the relevant sections on F.8 *Wall installation (only for 24,5 – 40 litres models)*.
- Prepare water, gas and electrical connections and install a shut-off valve, if necessary.

F.4 Installing on concrete plinth

Packaging should only be removed immediately before the unit is installed.

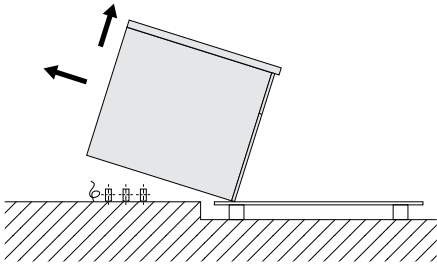
Keep the unit on the transport pallet until it is at its final location.

1. Transport the appliance on its transport pallet directly in front of the point of installation.

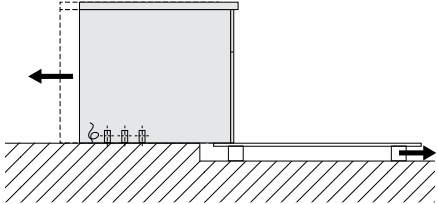


2. Remove the pre-cut plate at the bottom of the appliance. (for access, see E.3 *Installation and connection diagram*).

- Lift the unit on one side so that all installation connections are inside the appliance.



- Carefully lower the appliance and then move it into the correct position. Finally, remove the transport pallet.



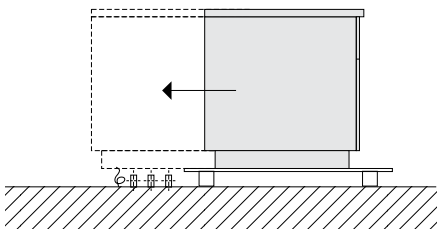
- Remove the outer protective film and the edge covers, taking care not to scratch the surface of the appliance. Very slowly pull off the protective film on the stainless steel surfaces, without ripping, to prevent any adhesive residue. Remove any adhesive residue with a non-corrosive solvent. Then rinse and dry the spot thoroughly.

F.5 Installing on steel plinth or adjustable feet

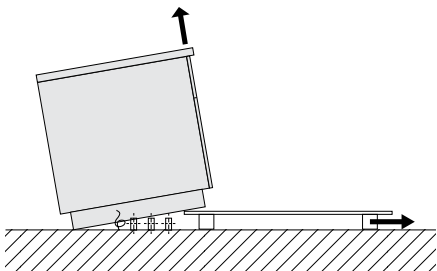


NOTE!
If installing on a steel plinth or adjustable feet, always make sure these are attached to the appliance beforehand. There are no tools for taking the unit down from the transport pallet and putting it in place; all you need is manpower, with two to four men required depending on the size of the unit.

- Transport the appliance on its transport pallet directly in front of the point of installation. The installation connections that are sticking out of the floor should be as close as possible to the side of the transport pallet.

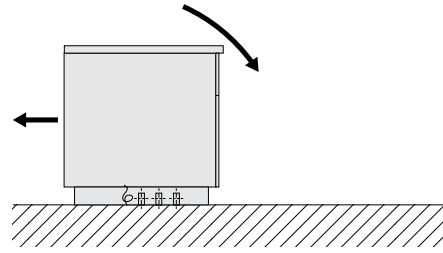


- Remove the pre-cut plate at the bottom of the appliance. (for access, see E.3 *Installation and connection diagram*).
- Shift the appliance onto the transport pallet such that all of the installation connections lie within the appliance.



- Tip the appliance until it is standing on the floor. Then lift at the front and remove the transport pallet.

- Carefully lower the appliance and then move it into the correct position.



- Remove the outer protective film and the edge covers, taking care not to scratch the surface of the appliance. Very slowly pull off the protective film on the stainless steel surfaces, without ripping, to prevent any adhesive residue. Remove any adhesive residue with a non-corrosive solvent. Then rinse and dry the spot thoroughly.

F.6 Disposal of packing

The packing must be disposed of in compliance with the current regulations in the country where the appliance is used. All the packing materials are environmentally friendly.

They can be safely kept, recycled, or burned in an appropriate waste incineration plant. Recyclable plastic parts are marked as follows:

| | |
|---------------|--|
| PE | Polyethylene <ul style="list-style-type: none"> • Outer wrapping • Instructions bag |
| PP | Polypropylene <ul style="list-style-type: none"> • Straps • Top packaging panels |
| PS | Polystyrene foam <ul style="list-style-type: none"> • Corner protectors |

The parts in wood and cardboard can be disposed of, respecting the current regulations in the country where the appliance is used.

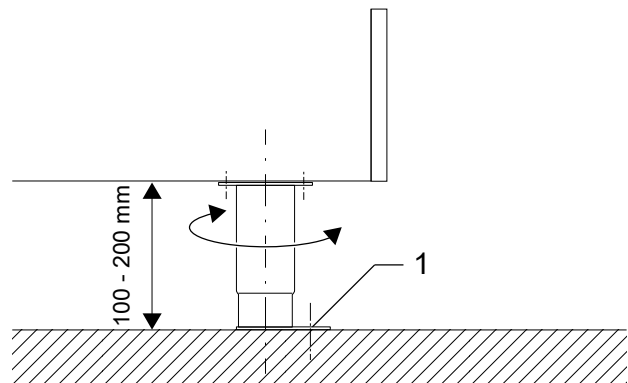
F.7 Securing or adjusting to the floor (optional)

If you need to secure it to the floor, the appliance comes with compatible adjustable feet.

We recommend you adjust the feet so you end up with a working height of 900 mm. Level the unit with a spirit level.

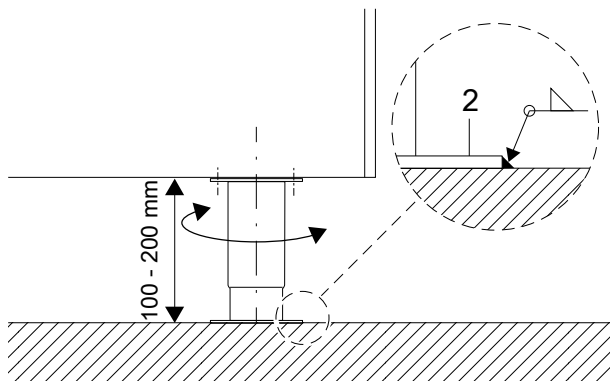
A. Attaching the unit with screws

The feet have metal plates which may be secured to the floor using screws.



B. Attaching the unit by welding

The metal plate underneath the feet must be welded to the floor with a continuous weld around the outer edge.

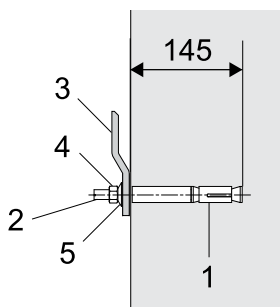


F.8 Wall installation (only for 24,5 – 40 litres models)

F.8.1 Preparing the brackets

Before you start, prepare the mounting holes in the wall according to the specifications in the mounting diagram.

1. Use the supplied wall anchors **1** with the threaded rods **2**. The holes must have a diameter of 18 mm [0,71"] and a minimum depth of 145 mm [5,71"].
2. Clean the hole after drilling.
3. Mount the supporting profile **3** with the nuts **4** and the spring washers **5**.
4. Adjust the supporting profile **3** in height and alignment using a spirit level.

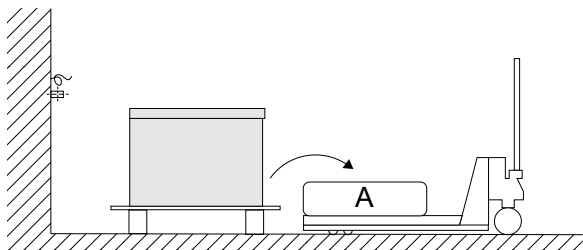


F.8.2 Positioning

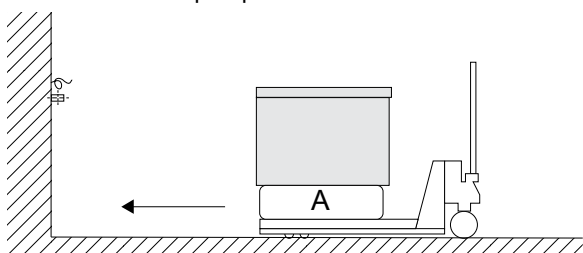
We recommend using a lift truck with a stable shelf to take the unit down from the transport pallet and position it into place.

Lifting the unit onto the hand truck has to be done by hand, with two or more men required depending on the unit size.

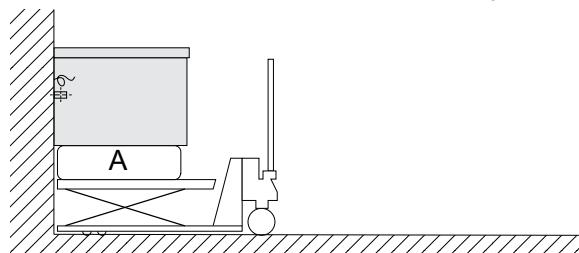
1. Transport the appliance on its transport pallet directly in front of the point of installation. Bring the lifting cart as close as possible to the appliance.
2. Carefully lift the unit on shelf **A** of the truck.



3. Remove the transport pallet.



4. Carry the appliance on the lifting cart to the prepared position on the wall and lift it to the correct height.



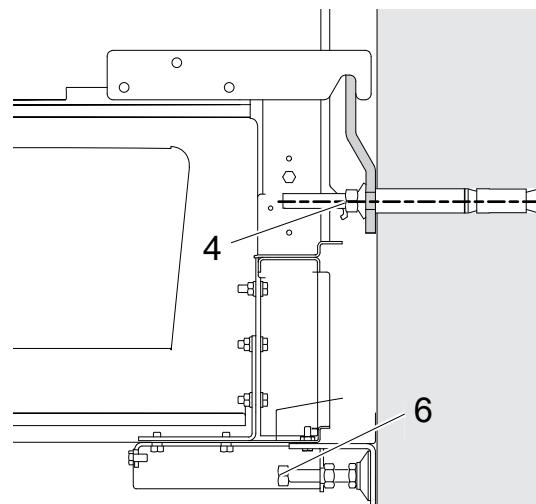
5. Remove the outer protective film and the edge covers, taking care not to scratch the surface of the appliance. Very slowly pull off the protective film on the stainless steel surfaces, without ripping, to prevent any adhesive residue. Remove any adhesive residue with a non-corrosive solvent. Then rinse and dry the spot thoroughly.

F.8.3 Securing and set up

Lift the unit on the prepared support profile and level it using a spirit level. Check the height in relation to other devices.

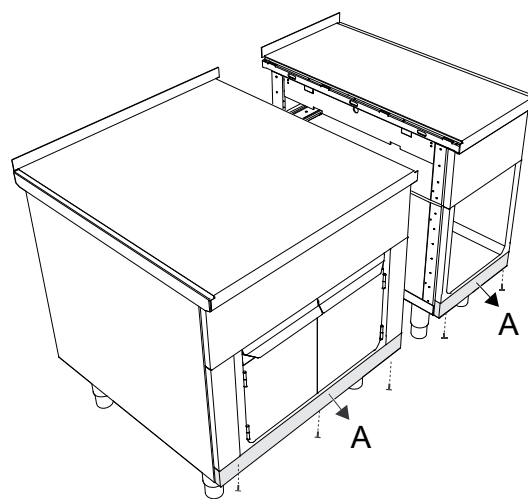
Use the adjusting screws **6** to adjust the device vertically.

Finally, tighten wall anchor nuts **4** to a torque of 80 Nm.

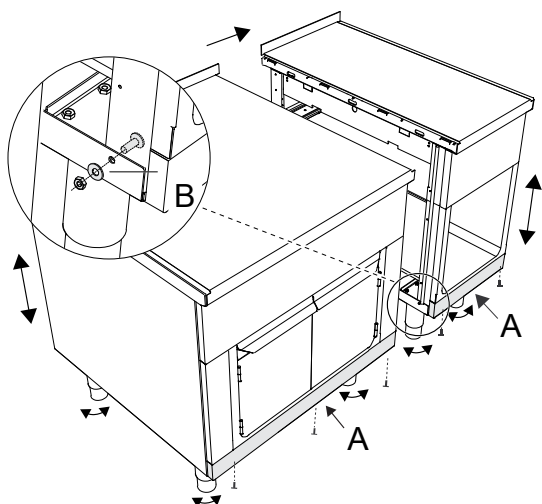


F.9 Fastening multiple appliances together

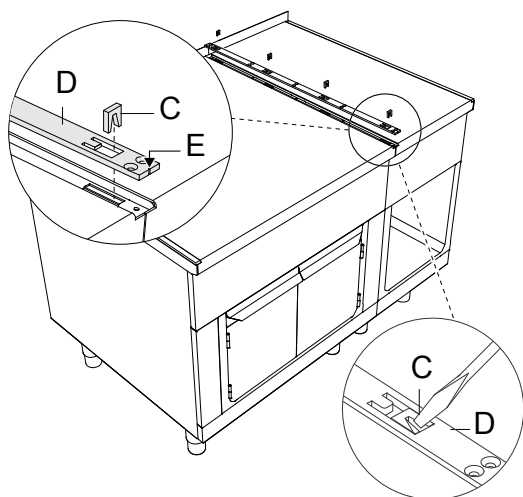
1. Remove lower panel **A** by undoing the screws.



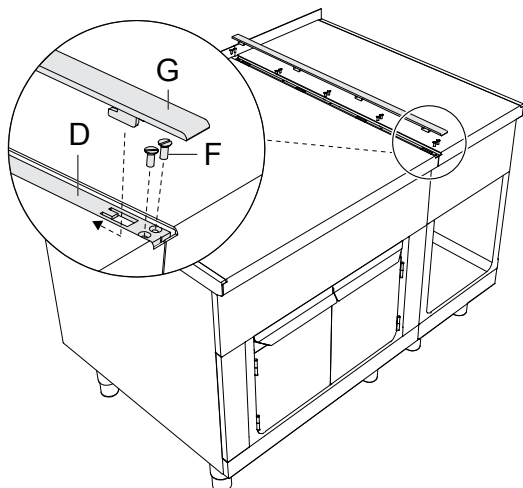
- Push the units together. Use the adjusting screws on the feet to bring the appliances to the same height, then level them.
Screw the appliances together at the base using the screw, washer and nut **B**. Replace panel **A** using the screws.



- Using a solid tool, break nuts **C** from connecting rail **D**. Insert connecting rail **D** into the gap between the top, making sure marking **E** is pointing forwards. Connect the appliances by hammering nuts **C** into the dedicated cut out.



- Seal the whole length of the joint with long lasting silicone (we recommend grey junction sealing, code: 059611). Attach the rail **D** using the supplied screws **F**. Insert the hook on the underside of cover **G** into the eyelets in the connecting rail and slide cover **G** backwards until it aligns to the front.

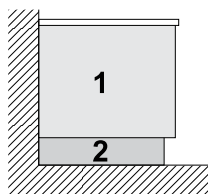


F.10 Side panels and base models

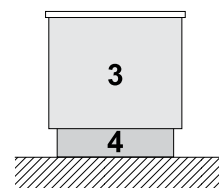
All side panels are available in two different versions:

- **Side panel with an overhang of 12,5 mm** for individual mounting on walls.
- **Side cover without overhang** to mount on covered sides.

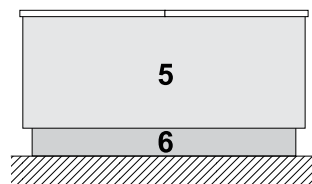
Mount the faceplates onto the unit cladding when setting up. The faceplates suitable for your type of installation are available as optional accessories.



1. Side panels for wall installation: height 400/700/800 mm
2. Base panel or stainless steel base for wall mounting: height 100/200 mm



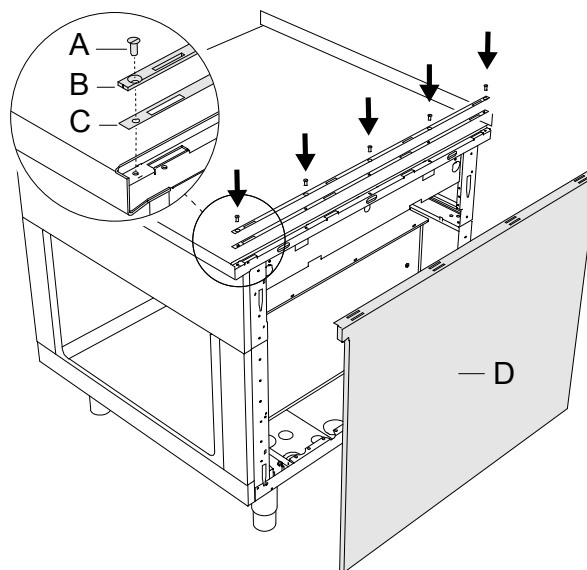
3. Side panels for free-standing appliances: height 700/800 mm
4. Base panel or stainless steel base for free-standing appliances: height 100/200 mm



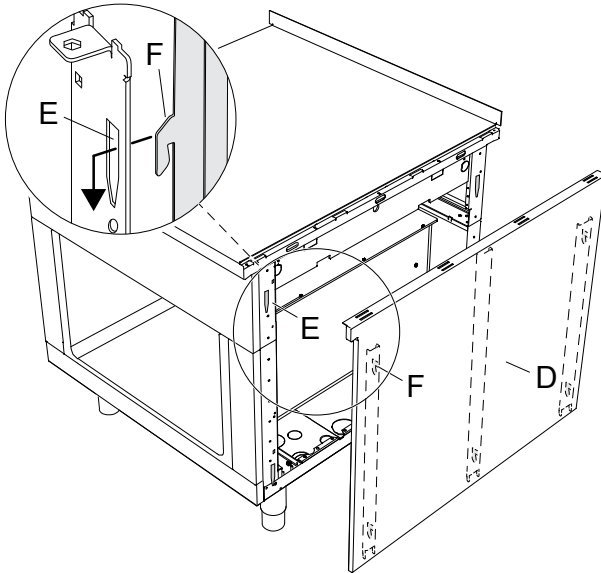
5. Side panels for back-to-back setup height 700/800 mm
6. Base panel or stainless steel base for mounting back-to-back: height 100/200 mm

F.11 Fixing the side panels with a 12,5 mm overhang

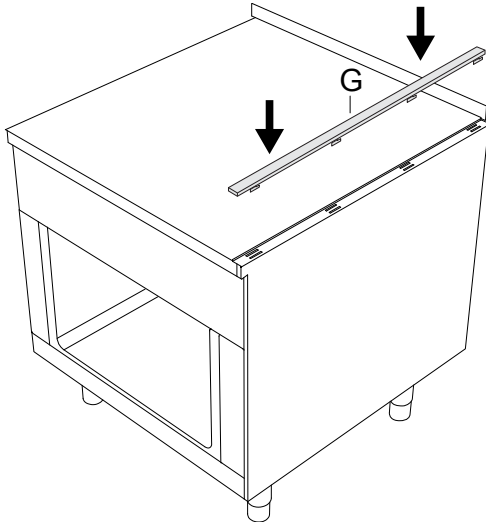
- Attach connecting rails **B** and **C** with the supplied screws **A**. Make sure marking on part **B** on the rail is pointing forwards.



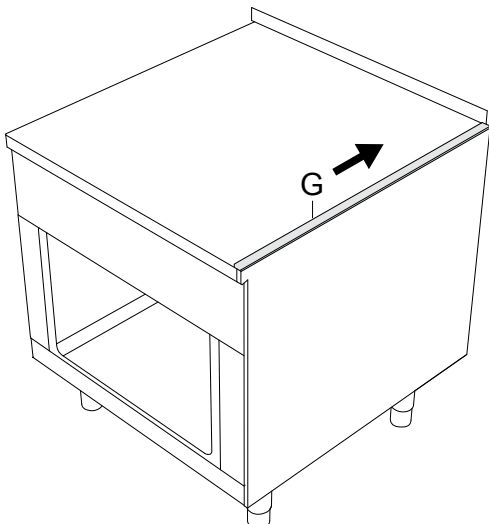
- Bring the side panel **D** into position.
Put the 5 hooks of the panel **F** into the slots **E**.



- Insert the hooks on the bottom of end rail **G** into the eyelets of the connecting rail.



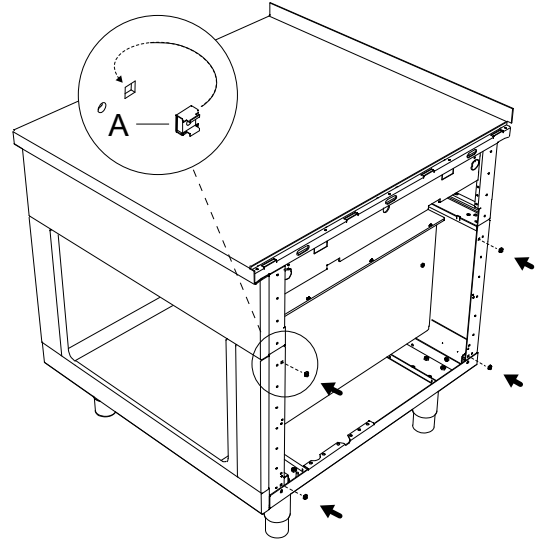
- Slide end rail **G** in the direction of the arrow to align it to the front.



F.12 Fixing the side cover without overhang

The side cover should only be used as a closing off against the wall, against a niche and in between appliances (provided that these have the same dimensions). Standard cover has pre-cuts that you can adapt to the appliances according to the left/right side.

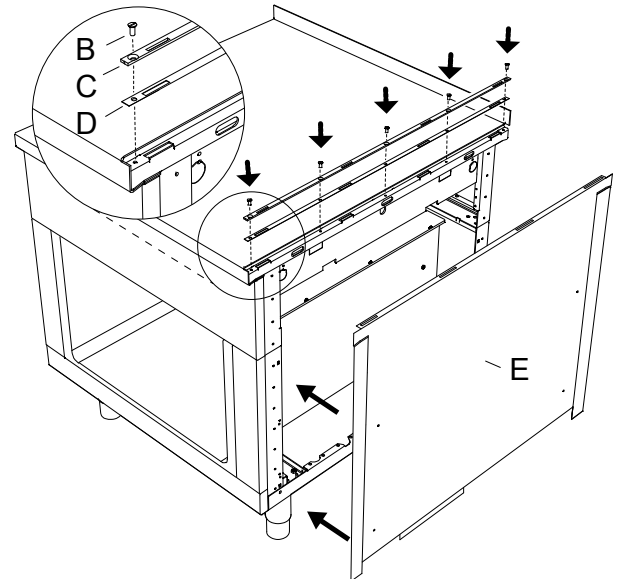
- Fit the 4 cage nuts **A** into the dedicated slots on the frame.



- Attach connecting rails **C** and **D** with the supplied screws **B**.

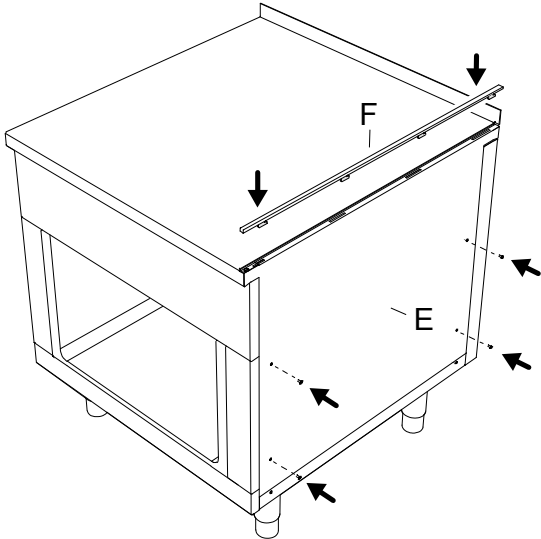
Make sure marking on part **C** on the rail is pointing forwards.

Bring the side panel **E** into position.

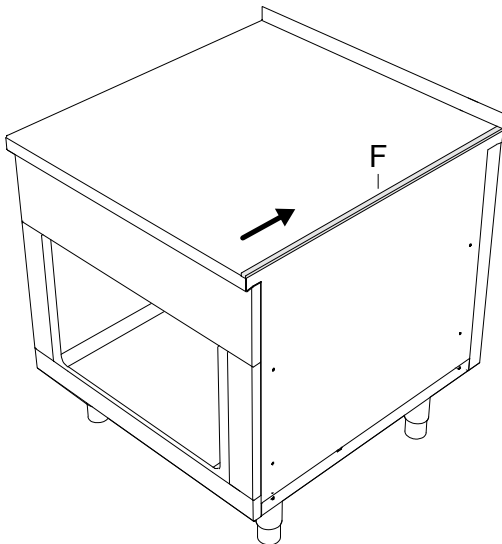


3. Insert the hooks on the bottom of end rail **F** into the eyelets of the connecting rail.

Attach the side of side cover **E** using the 4 flathead screws supplied.

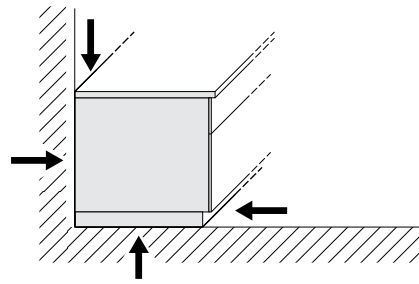


4. Slide end rail **F** in the direction of the arrow to align it to the front.



F.13 Sealing

For hygiene reasons, to prevent water and other substances from running under the appliance, seal all around the joints between the appliance and the wall or floor with permanently elastic silicone.



G ELECTRICAL INSTALLATION



WARNING

Refer to "*WARNING and Safety Information*".

G.1 Mains connection



WARNING

Refer to **A.11 Electrical connection**.

Each appliance has a specific wiring diagram. It contains the technical specifications (electrical rating, voltage, amperage etc.).

The Installation and Connection Diagram (E.3 *Installation and connection diagram*) shows the position of the main terminal board.

It must be possible to block the system in an open position for maintenance purposes, to prevent it from being switched on unintentionally.

The mains supply is connected via cable installed during assembly, which protrudes approximately 1,5 m out of the floor or wall.

In case of marine installations: the fluctuation of the voltage must not be higher than $\pm 6\%$.

G.2 Power cable

Unless otherwise specified, our appliances are not equipped with a power cable. The installer must use a flexible cable having characteristics not lower than the H05RN-F rubber insulated type.

Connect the AC power cord to the main terminal board using a cable relief, in accordance with the electrical wiring diagram.

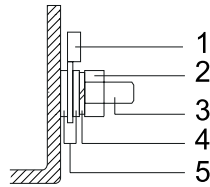
G.3 Potential equalisation



The appliance must be connected to a point indicated on a potential equalisation system with a minimum conductor cross section of 10 mm².

When installing multiple appliances, connect them all together through potential equalisation.

1. 6 mm lug
2. M6 nut
3. M6 threaded bolt
4. M6 spring washer
5. M6 washers



NOTE!

You need a potential-free contact to indicate on an external circuit chart, whether the appliance is switched on or not. The terminals are labelled 21 and 22.

G.4 Connect to power supply

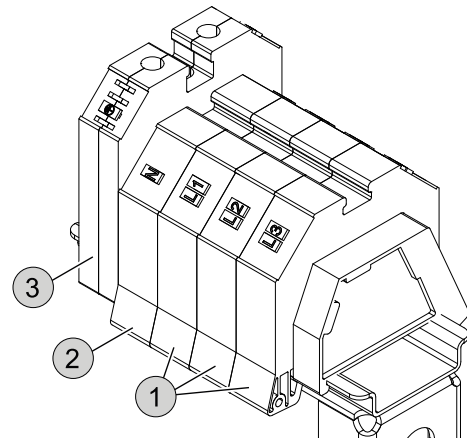
1. To connect the appliance, first insert the three phase wires **L1, L2, L3** into the appropriate terminals and screw them in.
2. Insert and screw the neutral wire into the blue terminal.



IMPORTANT

Not applying to marine versions.

3. Insert and screw the earth wire into the yellow/green terminal.



H CONNECTING THE WATER SUPPLY

H.1 Water connection



IMPORTANT

- Carry out the water connection by referring to paragraph A.12 *Water connection*.
- If the water pressure is higher than that specified, use a pressure reducer to avoid damaging the appliance.

For correct installation, the water inlet pipe must be connected to the mains using a mechanical filter and a shutoff valve.

Before connecting the filter, allow a certain amount of water to run in order to clear the pipe of any waste matter.

Connect the appliance with water that has:

- chloride concentration less than 20 ppm. A higher concentration of chlorides can induce localized oxidation phenomena (not covered by warranty);
- hardness between 5 and 25 °fH. Hardness below 5 °fH makes the water undrinkable and hardness above 25 °fH generates limescale deposits that require frequent descaling cycles.

In case the water quality is out of the value ranges reported above, it is advisable to install some water treatment systems.

H.2 Drinking water supply

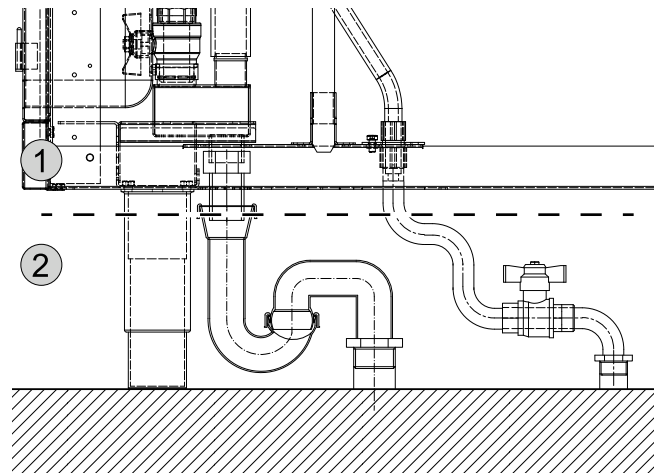
The appliance should be connected to fixed lines. Metal installation pipes may not protrude more than 100 mm from the floor.



IMPORTANT

- Gain always access to the pipes in accordance with E.3 *Installation and connection diagram*.
- Connect the flexible hoses with a G 3/4" female thread with a shut-off valve installed, to the on site water pipes protruding from the floor.

For example:



1. Electrolux Professional responsibility
2. Specialized personnel responsibility

H.3 Backflow protection

A backflow protection device is required to protect each incoming water connection.



IMPORTANT

Install a single check valve, supplied with the appliance, on the water connection pipe.

H.4 Water drain

The discharge water must be removed by means of a suitable receptacle resistant to a temperature of at least 100°C. The steam produced during the discharge stages must not come into contact with the appliance.



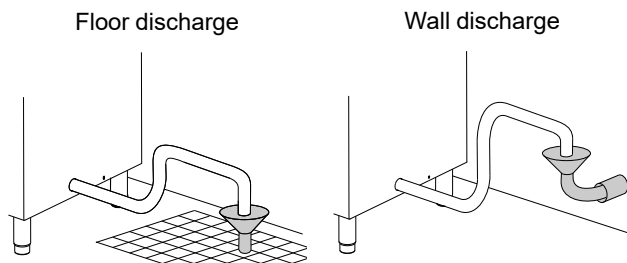
WARNING

An air-break to drain, conforms to "EN61770", shall be installed before the discharge to the drainage system for both floor drainage and wall drainage, depending on the model.



CAUTION

It is advisable to carry out this operation after the appliance has cooled (the inertia of heating, even if deactivated, can damage the tank if without water).



I NORMAL APPLIANCE USE

I.1 Characteristics of personnel enabled to operate on the appliance

The Customer must make sure the personnel for normal appliance use are adequately trained and skilled in their duties. The operator must:

- read and understand the manual;
- receive adequate training and instruction for their duties in order to operate safely;
- receive specific training for correct appliance use.



IMPORTANT

The Customer must make sure his personnel have understood the instructions received and in particular those regarding work hygiene and safety in use of the appliance.

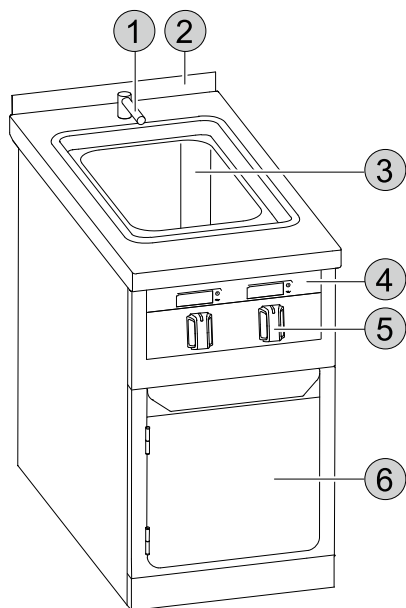
I.2 Basic requirements for appliance use

- Knowledge of the technology and specific experience in operating the appliance.
- Adequate general basic education and technical knowledge for reading and understanding the contents of the manual, including correct interpretation of the drawings, signs and pictograms.
- Sufficient technical knowledge for safely performing his duties as specified in the manual.
- Knowledge of the regulations on work hygiene and safety.

J PRODUCT DESCRIPTION

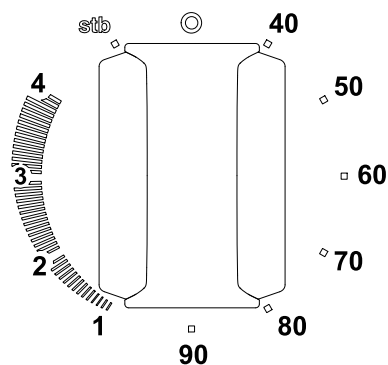
J.1 Electric pasta cooker 24,5 – 40 litres

J.1.1 Appliance overview



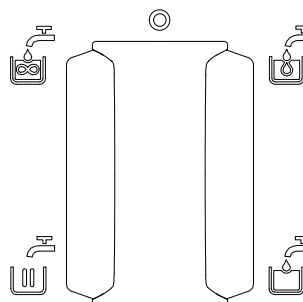
1. Outlet tap
2. Splashback (optional)
3. Tank
4. Glass display only for 800 mm or 900 mm deep appliances
5. Controls
6. Door

J.1.2 Temperature control






| | |
|-------------|-----------------------|
| ○ | Off |
| 40°C – 90°C | Temperature selection |
| 1 – 4 | Heat levels |
| stb | Standby |

J.1.3 Capacity control

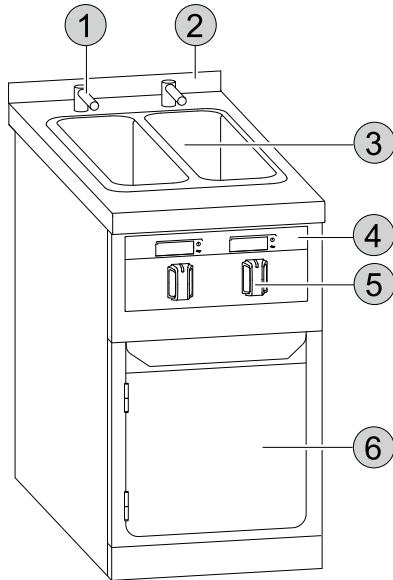


| | |
|---|------------|
| ○ | Off |
| | Quick fill |

| | |
|---|-----------------|
|  | Slow fill |
|  | Pause |
|  | Constant refill |

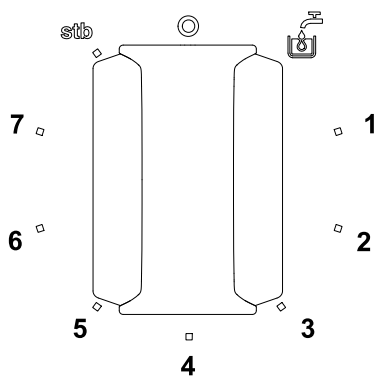
J.2 Electric pasta cooker 2 x 5 litres

J.2.1 Appliance overview



1. Outlet tap
2. Splashback (optional)
3. Tanks
4. Glass display only for 800 mm or 900 mm deep appliances
5. Controls
6. Door

J.2.2 Temperature control



| | |
|---|---------------|
|  | Off |
| 1 – 7 | Heat levels |
|  | Water filling |
| stb | Standby |

J.3 Use

The appliance is intended for industrial use by trained personnel.

This appliance must only be used for its specifically designed purpose, i.e. for cooking foods such as pasta, rice and similar products in water.

Any other use is considered improper.



CAUTION

- Never use this machine for frying.
- Only fill the appliance with water.

There is a stand at the front of the tank where you can place and drain the basket.

Excess water or foam can flow through an overflow underneath the stand.



NOTE!

A safety thermostat prevents unacceptably high temperatures from being reached.



WARNING

- Never switch on or continue using the appliance if the water level drops below the minimum mark on the tank wall.
- Only draining off the tank when the water is cooled.
- Slowly place filled baskets or containers into the full tank to prevent the hot water spilling over and causing injury.
- Never add substances to the water that cause excessive foaming during boiling. This can lead to injuries.

J.4 Glass display

Appliances with a depth of 800 mm or 900 mm are equipped with a glass display.

Use the controls to show the relevant settings in the display.



1. **On / Off**
lights up when the appliance is switched on
2. **Digital display**
shows the temperature, heat setting, functions or error messages
3. **Heat On / Off**
lights up until the operating temperature is reached

J.5 Steel dashboard

Appliances with a depth of 850 mm are equipped with a steel dashboard and lamps.

- **GREEN LAMP**
On / Off
lights up when the appliance is switched on
- **ORANGE LAMP**
Heat On / Off
lights up until the operating temperature is reached

K OPERATING

K.1 First use



Clean off any industrial protection grease from all parts of the appliance and accessories before first use.

To properly perform basic cleaning, note and follow the instructions in L *Appliance cleaning and maintenance*.

1. Fill up the tank to the max. level mark and add a non-foaming detergent suitable for use with food.
2. Place the baskets in the tank and let the water boil for a few minutes.
3. Switch off the appliance and let it cool down completely.
4. Empty the tank and rinse thoroughly with clean water.
5. Dry the machine. You can do this either manually with a cloth or allow to dry naturally.

K.2 Electric pasta cooker 24,5 – 40 litres


K.2.1 Filling up the tank

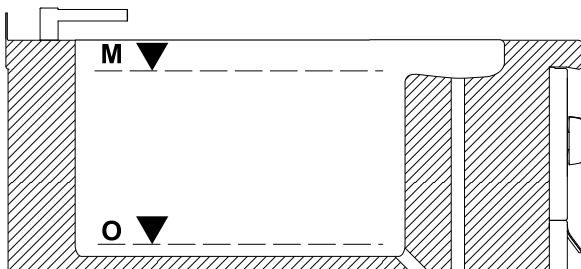
- To fill the tank set capacity control to position . The water flows into the tank until the max. level **M** is reached, then stops automatically.
- To stop the water supply or to stop a continuous filling cycle, turn capacity control to position .



NOTE!

A sensor registers if the water drops below the minimum level **O** and turns off the heat to the tank.

- To maintain the water level during cooking, turn capacity control to position .



K.2.2 Switching on-off

To switch on the appliance:


- Once the tank is filled with water, turn temperature control clockwise.
- You can either set the temperature from 40°C to 90°C or choose from 4 heat levels.



NOTE!

A safety thermostat prevents unacceptably high temperatures from being reached.

To switch off the appliance

- To switch off the heat to the tank, turn temperature control to position .

K.2.3 The cooking process


Set capacity control to position .

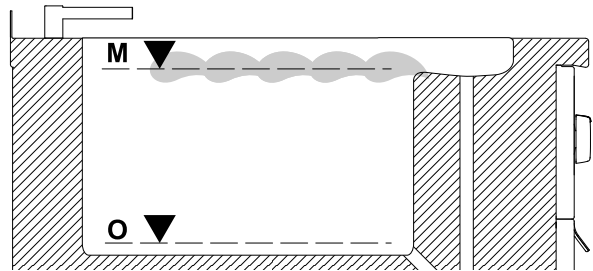
If possible, preheat the appliance immediately before use, by setting temperature control to level 4.

When the water in the tank is boiling:

- Add salt, (only use pan salt, to avoid corrosive deposits on the tank bottom; if only coarse salt is available dissolve it in a separate container).


- Place the baskets with food to be cooked in the tank. The overflow pipe ensures control of the maximum water filling level **M** and the removal of cooking froth.

To maintain the water level during cooking, turn capacity control to position .



K.3 Electric pasta cooker 2 x 5 litres

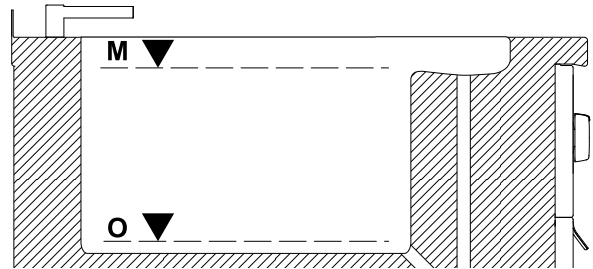
K.3.1 Filling up the tank

- To fill the tank set control to position . The water flows into the tank until the max. level **M** is reached, then stops automatically.



NOTE!

A sensor registers if the water drops below the minimum level **O** and turns off the heat to the tank.



K.3.2 Switching on-off

To switch on the appliance:

- Once the tank is filled with water, turn control clockwise.
- You can choose from 7 heat levels.

Power distribution

| | |
|---------------|----------------|
| Level 1 - 40% | Level 5 - 80% |
| Level 2 - 50% | Level 6 - 90% |
| Level 3 - 60% | Level 7 - 100% |
| Level 4 - 70% | |




NOTE!

A safety thermostat prevents unacceptably high temperatures from being reached.

To switch off the appliance

- To switch off the heat to the tank, turn control to position .

K.3.3 The cooking process

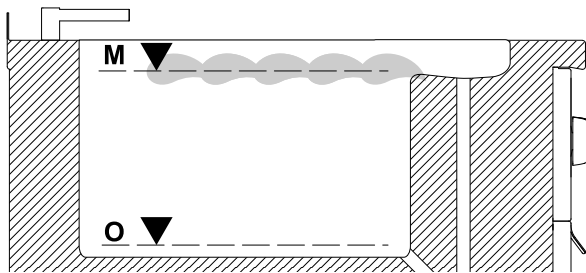
Set control to position  and fill up the tank to the max. level.

If possible, preheat the appliance immediately before use, by setting temperature control to level 7.

When the water in the tank is boiling:

- Add salt, (only use pan salt, to avoid corrosive deposits on the tank bottom; if only coarse salt is available dissolve it in a separate container).

- Place the baskets with food to be cooked slowly into the tank. The overflow pipe ensures control of the maximum water filling level **M** and the removal of cooking froth.



K.4 Stand-by mode

When preparing individual dishes, every so often there is a short break in the cooking process. You can save energy by turning control to *stb*.

In standby mode, the appliance stands at a preset default temperature.

You can start the cooking process again in a few minutes.

For prolonged downtimes, switch off the appliance to avoid unnecessary energy consumption.

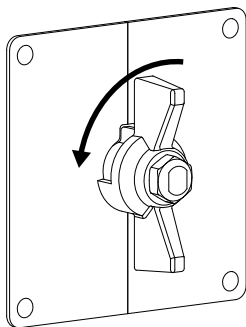


WARNING

The appliance's heat surfaces and cooking pan can be very hot even in standby mode.

K.5 Emptying the tank

- At the end of the cooking always empty the tank for avoiding corrosive deposits.
- Empty the tank by operating on the knob of the draining valve located behind the door.
- Always wait the water cools down till 60°C before emptying the tank.



IMPORTANT

In some countries, the machine requires an accessory kit to measure the maximum water outlet temperature. Observe country-specific regulations and consult our Customer Care Service if necessary.

K.6 Main switch (optional)

This appliance has a ventilation system that protects electronic components from overheating.

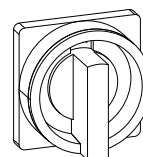
In case of cutting off the main power supply, this ventilation system can't work, causing serious damage to the appliance.

You can use the main switch to interrupt the power supply from the connection terminals to the device.



CAUTION

After switching off the appliance, wait at least 30 minutes before cutting off the power with the main switch.



K.7 Handrail (optional)

For correct assembly/disassembly of the handrail, refer to the dedicated installation instructions.



CAUTION

If the handrail is present, do not place on it more than 25 kg per meter of structure.

L APPLIANCE CLEANING AND MAINTENANCE



WARNING

Refer to "WARNING and Safety Information".

L.1 Care information

Care operations have to be carried out by the owner and/or user of the appliance.



IMPORTANT

Problems resulting from poor or lack of care as hereinafter described will not be covered by the warranty.

L.2 Cleaning introduction

To help reduce environmental impact, we recommend using Electrolux Professional cleaning products designed with sustainability and biodegradability in mind.

If another type of detergent is used, carefully follow the producer's instructions and observe the safety rules given in the information sheets provided with the product or substance.



CAUTION

- Do not use solvent-based detergents (e. g. trichloro-ethylene) or abrasive powders for cleaning.
- Do not use steel brushes, steel wool, copper cloths, sand-based or similar products for cleaning.
- Only start cleaning once the appliance has cooled.
- Do not clean the appliance with flammable liquids.

Accessories such as baskets and containers, if present, must be cleaned outside of the appliance.



WARNING

When using chemicals, comply with the safety notes and dosage recommendations printed on the packaging. Refer to the chapter *A.2 Personal protection equipment* for handling chemical products.

L.3 Stainless steel surfaces

The reason stainless steel can resist corrosion and rust is its passive layer which builds up when oxygen hits the metal surface. There is sufficient oxygen in the air to do this.

If this passive layer is physically broken or damaged by chemical substances, leaving it unable to regenerate itself, even rust-free stainless steel can be subject to corrosion.

It is possible to develop or regenerate the passive layer by treating it with running, oxygen-rich water.

Oxygen-starving abrasives such as hydrochloric acid, chlorides and spice concentrates, mustard, vinegar essences, spice cubes and cooking salt solutions can lead to chemical damage or rupture of the passive layer, depending on the concentration and temperature.

Extraneous rust (iron particles), the formation of galvanic elements and lack of oxygen could cause more damage.



IMPORTANT

Keep stainless steel surfaces clean at all times and make sure they are well ventilated.

Please follow these instructions:

- Remove grime, fat and other cooking residuals from steel surfaces when cool using soapy water, with or without detergent, and a cloth or sponge.
Dry the surfaces thoroughly after cleaning.
- In case of encrusted grime, fat or food residuals, go over with a cloth or sponge, wipe in the direction of the satin finish and rinse often.
Rubbing in a circular motion combined with the particles of dirt on the cloth/sponge could spoil the steel's satin finish.
- Metal objects can spoil or damage the steel: damaged surfaces become dirty more easily and are more subject to corrosion.
- Restore the satin finish if necessary.
- Do not let stainless steel parts come into prolonged contact with acids, spices, salts, etc. Even acid fumes which build up from cleaning tiled surfaces can promote corrosion.
Rinse off work surfaces with fresh water. This applies especially after cooking potatoes, pasta or rice in salted water.

L.4 Colored surfaces

- Clean all colored surfaces on a daily basis.

- Use soapy water and a cloth to remove food particles and grease
- Metal objects can spoil or damage the surface: damaged surfaces become dirty more easily and are more subject to corrosion.
- Do not let colored surfaces come into prolonged contact with acids, spices, salts, etc. Even acid fumes which build up from cleaning tiled surfaces can promote corrosion.

L.5 Surfaces blackened by heat

Exposure to high temperatures can cause the formation of dark marks.

These do not constitute damage and can be removed by following the instructions given in the paragraph L.3 *Stainless steel surfaces*.

L.6 Descaling



WARNING

Refer to "*Personal protection equipment*".



IMPORTANT

Remove limescale, fat, starch and protein layers with regular daily cleaning to avoid corrosion.

- De-scale the appliance at least once a week.
- Use a solution of vinegar (5% at least) and water. Heat for about 5 minutes and allow the solution to act for at least 20 minutes. Rinse with plenty of demineralized water.
- Never use steel wool or other abrasive materials which can scratch the surface of the stainless steel.



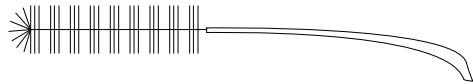
WARNING

Make sure no water comes into contact with electrical components.

L.7 Drain and overflow openings

After each use clean the drain and overflow openings.

Therefore use hot soapy water and a round brush.



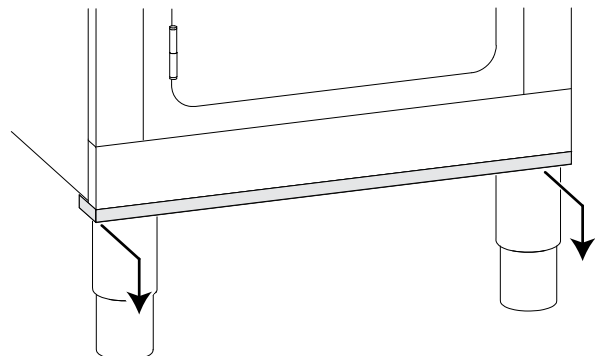
L.8 Air filter (optional)

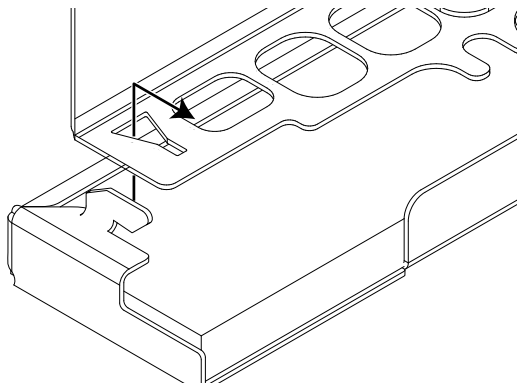
If present, remove the air filter at least once a month from under the lower front panel and clean with water and detergent used for manual dishes cleaning.



IMPORTANT

Non-compliance with the above instruction will result in filter inefficiency and may lead to malfunctioning of the appliance.





L.9 Periods of non-use

If the appliance is not going to be used for some time, take the following precautions:

- close the water supply tap(s), if present;
- disconnect the power supply or remove the plug from the power socket, if present;
- carefully clean the internal parts of the appliance;
- clean the cabinet, going over all the stainless steel surfaces vigorously with a rag moistened with paraffin oil to create a protective film;
- leave the door or drawers, if present, open so that air can circulate inside, preventing the formation of unpleasant odours;
- for the electric heated models: switch on the appliance at the minimum rate of heat for at least 45 minutes; this will allow moisture/humidity accumulated into the heating elements to evaporate without damaging the elements;

L.11 Maintenance intervals

It is advisable to carry out the checks with the frequency given in the following table:

| Maintenance, inspections, checks and cleaning | Frequency | Responsability |
|--|--|--|
| Ordinary cleaning <ul style="list-style-type: none"> • general cleaning of appliance and surrounding area | <ul style="list-style-type: none"> • Daily | <ul style="list-style-type: none"> • Operator |
| Mechanical parts <ul style="list-style-type: none"> • check the mechanical parts, for cracks or deformations, tightening of screws: check the readability and condition of words, stickers and symbols and restore if necessary • if present, check hydraulic system condition, e. g. leakages | <ul style="list-style-type: none"> • Yearly | <ul style="list-style-type: none"> • Service |
| Electrical components <ul style="list-style-type: none"> • check the electrical components inside the appliance • check wirings and connections | <ul style="list-style-type: none"> • Yearly | <ul style="list-style-type: none"> • Service |
| General appliance overhaul <ul style="list-style-type: none"> • check all components, electrical equipment, corrosion, pipes... | Every 10 years ¹ | <ul style="list-style-type: none"> • Service |
| Appliance internal cleaning <ul style="list-style-type: none"> • remove any deposits of dirt inside the appliance. | <ul style="list-style-type: none"> • Yearly | <ul style="list-style-type: none"> • Service |

1. The appliance is designed and built for a duration of about 10 years. After this period of time (from commissioning) the appliance must undergo a general inspection and overhaul.

- never store the appliance where the temperature can drop below 0°C [32°F];
- periodically air the premises.

L.10 Informations for maintenance

Preventive Maintenance reduces downtime and maximizes machines efficiency.

Customer Care Service can provide advice on the best maintenance plan to be purchased based on the intensity of use and the age of the equipment.

During service, repair and maintenance work, distractions and stress factors must be avoided.

As such, unauthorised persons must be kept away from the appliance.



IMPORTANT

- Repairs and service on the appliances must be carried out when heating elements have cooled down.
- Any internal electrical wiring in the appliance and the connections to the earth cable are in accordance with the respective wiring diagrams and must not be modified.
All metal parts which have electrical connections on them must remain earthed.
- After completion of the maintenance and repair work, the service technician must carry out checks to ensure all operating modes of all functional and safety components are in accordance with the operating instructions.

M TROUBLESHOOTING

M.1 Introduction

Certain faults may occur during normal use of the appliance. In some cases, faults can be eliminated easily and quickly by following the indication below.

The display, if present, could show a warning message indicating a fault in progress.

If the fault persists, contact the Customer Care Service:

1. Disconnect the appliance from the main power supply;

2. Switch off the safety circuit breaker ahead of the appliance;
3. Close the gas and water tap(s), if they are present;
4. Remember to specify:
 - the type of fault
 - the appliance PNC (product number code)

- the Ser. No. (appliance serial number).



IMPORTANT

The appliance PNC and serial number are essential for identifying the type of appliance and date of manufacture.

M.2 Troubleshooting

| Anomaly | Possible causes | Actions |
|----------------------------------|---|--|
| Water supply | | |
| No water is coming into the tank | <ul style="list-style-type: none"> • The local water tap is off • The tank's water tap is blocked | <ul style="list-style-type: none"> • Open the water tap • Clean the outlet tap |
| Digital | | |
| Cannot use the appliance | No power from local mains | Switch on the main fuse |
| E_01 | <ul style="list-style-type: none"> • Overheating fault • Display • Ventilator | <ul style="list-style-type: none"> • Allow to cool • Clean/unblock vents • Clean the filter • Ensure flow of clean air • If the problem persists, please inform Customer Care Service |
| AL_1 | Temperature sensor, connection interrupted | Contact Customer Care Service |
| AL_2 | Polarity of temperature sensor is reversed or temperature sensor is defective | Contact Customer Care Service |
| AL_3 | Potentiometer connection interrupted | Contact Customer Care Service |
| AL_4 | Additional potentiometer connection interrupted | Contact Customer Care Service |
| AL_5 | Pressure sensor connection interrupted | Contact Customer Care Service |

N APPLIANCE DISPOSAL



WARNING

Refer to “*WARNING and Safety Information*”.

N.1 Procedure regarding appliance disposal

N.1.1 Recyclability

Our appliances are manufactured using a significant percentage of recyclable metals (such as stainless steel, iron, aluminium, galvanized sheet, copper, etc.), which can be recovered through the local recycling systems, in compliance with the regulations in force in the country of use.

National regulations regarding waste disposal may vary. Disposal of the appliance must therefore be carried out in accordance with the applicable legislation and the directives issued by the competent authorities in the country where the appliance is decommissioned.

The components of the appliance must be separated and disposed of in accordance with their material composition (e.g. metals, oils, greases, plastics, rubber, refrigerant gases, insulating boards and other insulating material, glass wool, LEDs, etc.) and in full compliance with applicable local and international waste management regulations.

N.1.2 Procedure regarding appliance disposal and component / material recovery

This product should not simply be disposed of in the environment at the end of its life cycle; it is imperative instead either to dispose of it in accordance with local environmental regulations, or, preferably, to deliver it whole to an authorized recycling center.

All removed components, including doors and other structural parts, must be delivered together with the appliance to an authorized recycling or dismantling facility.

The dismantling/recycling center will apply state of the art technologies and methods available to them to effectively disassemble the products for best recyclability.

Note that printed circuit boards, electrical motors or other components identified in European Union legislation to be of high critical raw materials recovery potential need to be addressed specifically.

In case of doubts or questions, always refer to your reference customer care service.

Before disposing of the appliance, make sure to remove any food and organic residues. Carefully inspect its physical condition and preservation state, checking for potential leaks of liquids or gases, as well as for broken parts that may pose hazards during handling and subsequent dismantling.



The symbol on the product indicates that this product should not be treated as domestic waste, but must be correctly disposed of in order to prevent any negative consequences for the environment and human health. For further information on the recycling of this product, contact the local dealer or agent, the customer care service or the local body responsible for waste disposal.



NOTE!

When dismantling the appliance, any marking, this manual and other documents concerning the appliance must be destroyed.

CE