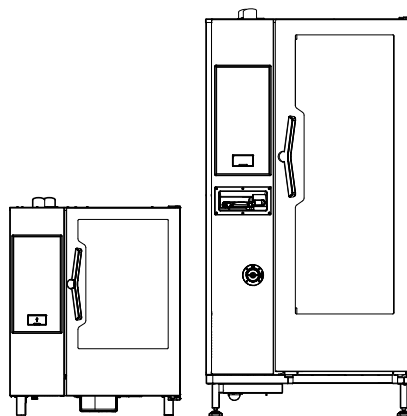


Electrical and Gas COMBI oven

Touch and Digital models



EN Installation manual *

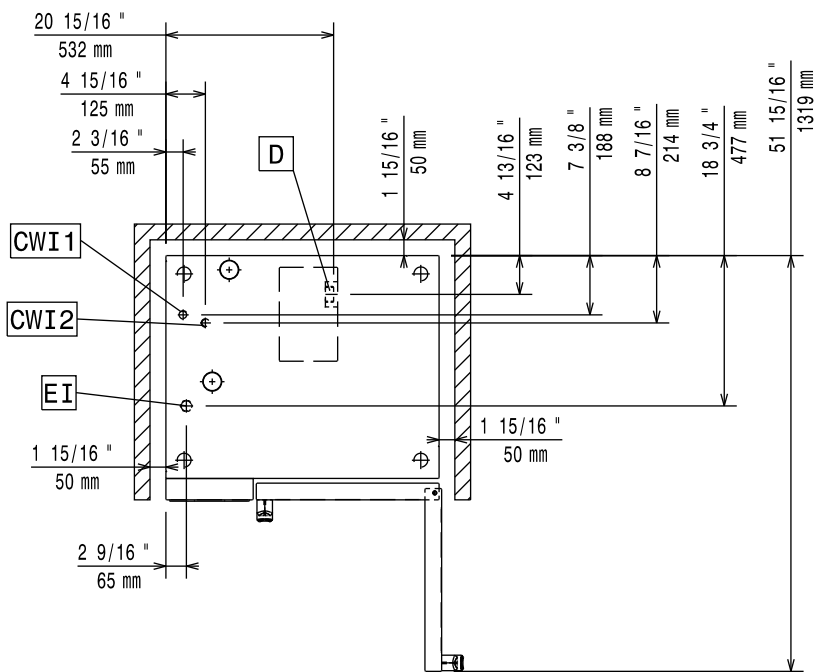
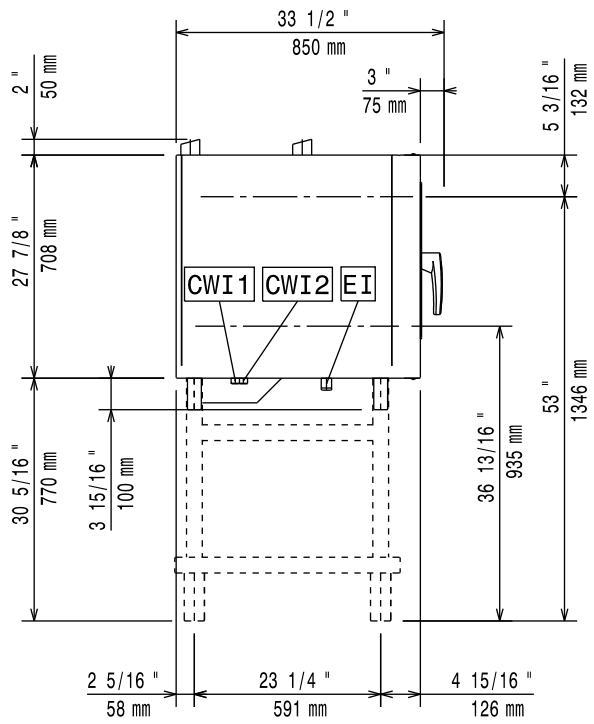
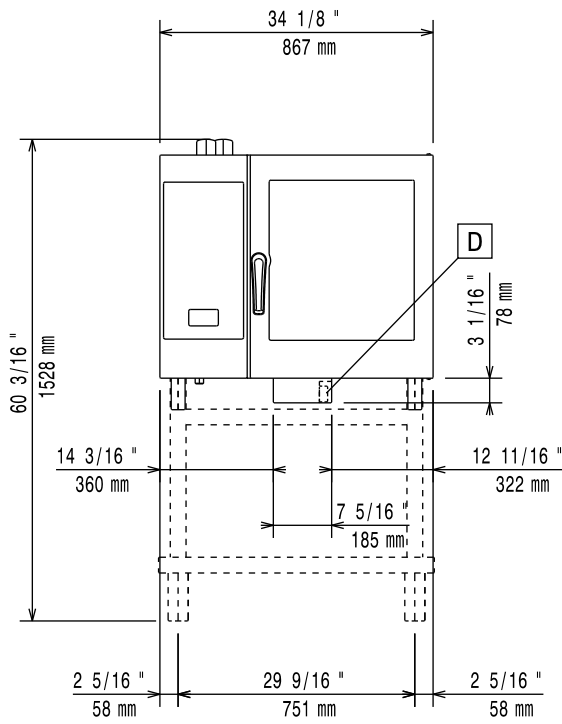
*Original instructions



0595407M00_EU- 2025.10

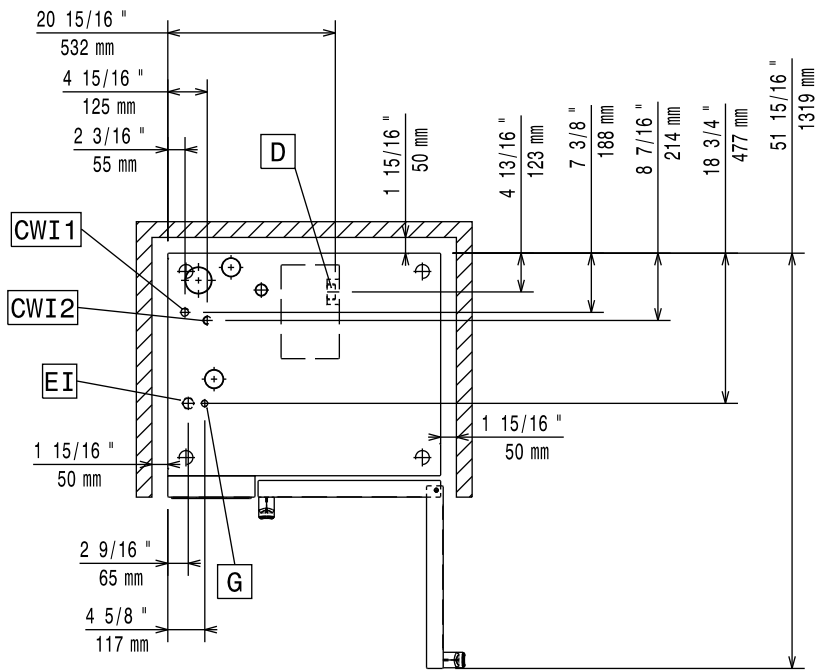
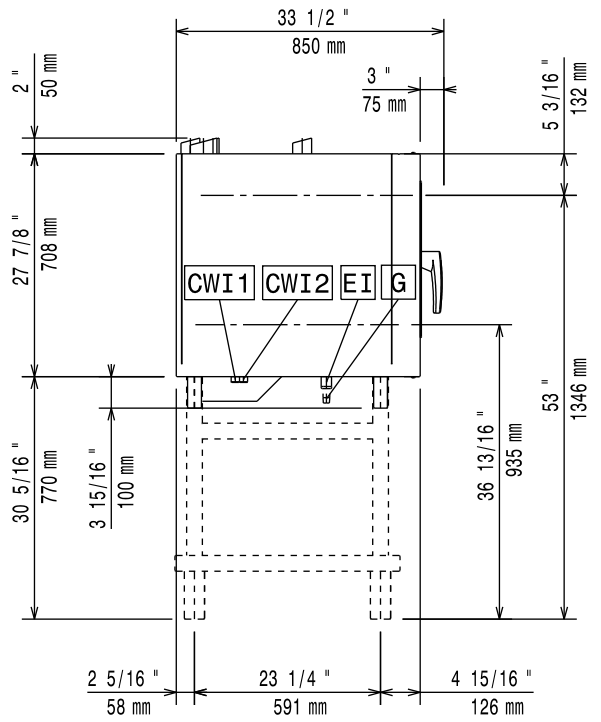
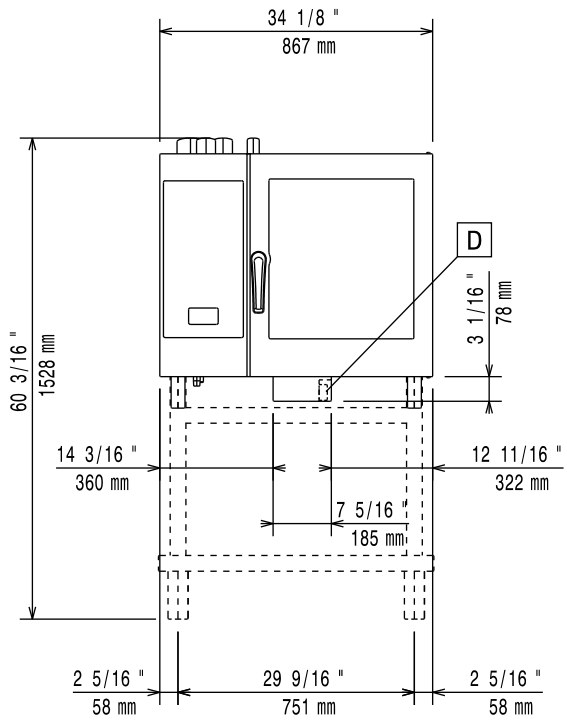
Installation diagram

6GN 1/1 Electrical model – with boiler and boilerless – Touch and Digital (code 597402100)



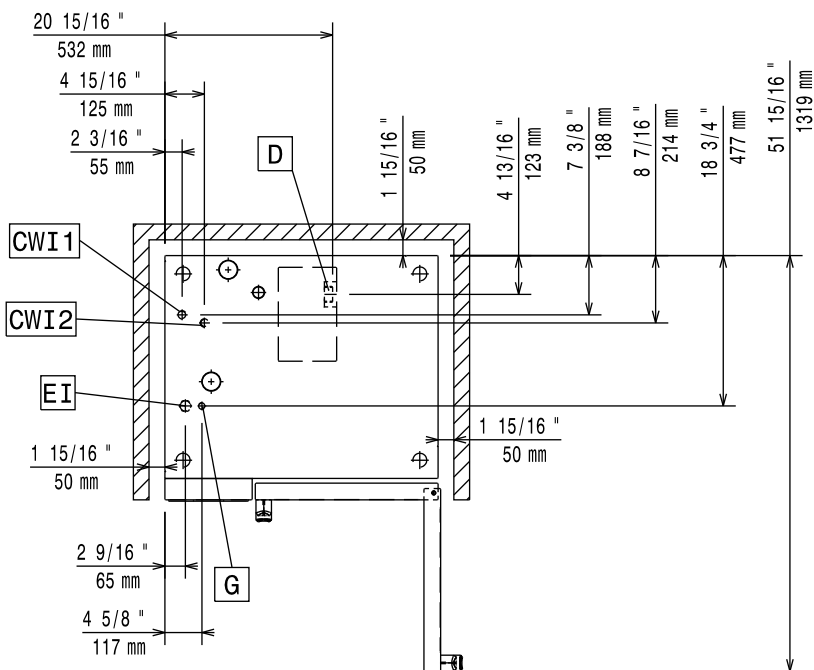
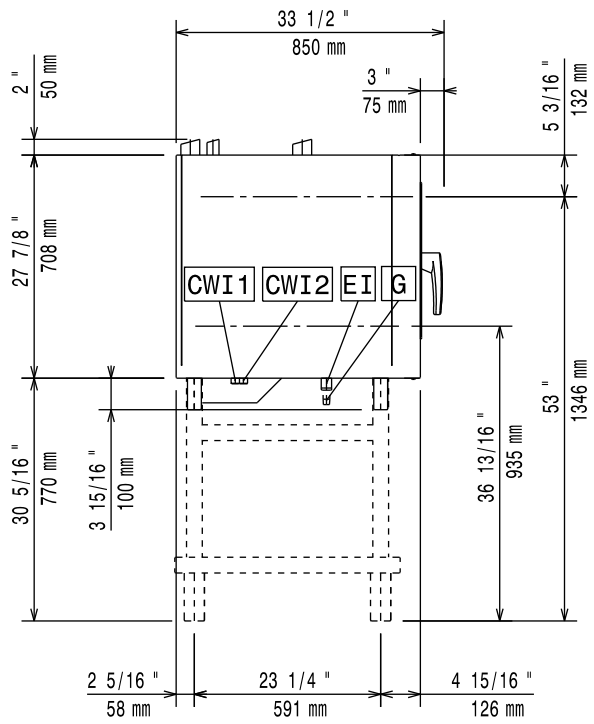
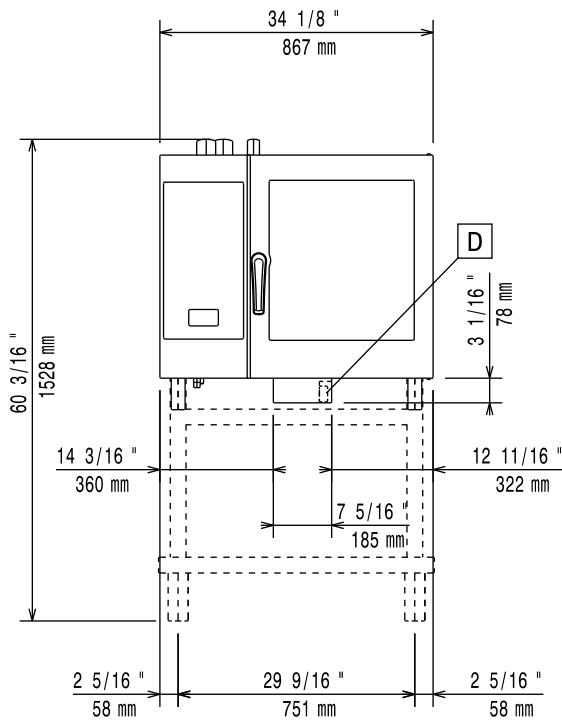
Installation diagram

6GN 1/1 Gas model – with boiler – Touch and Digital (code 597402000)



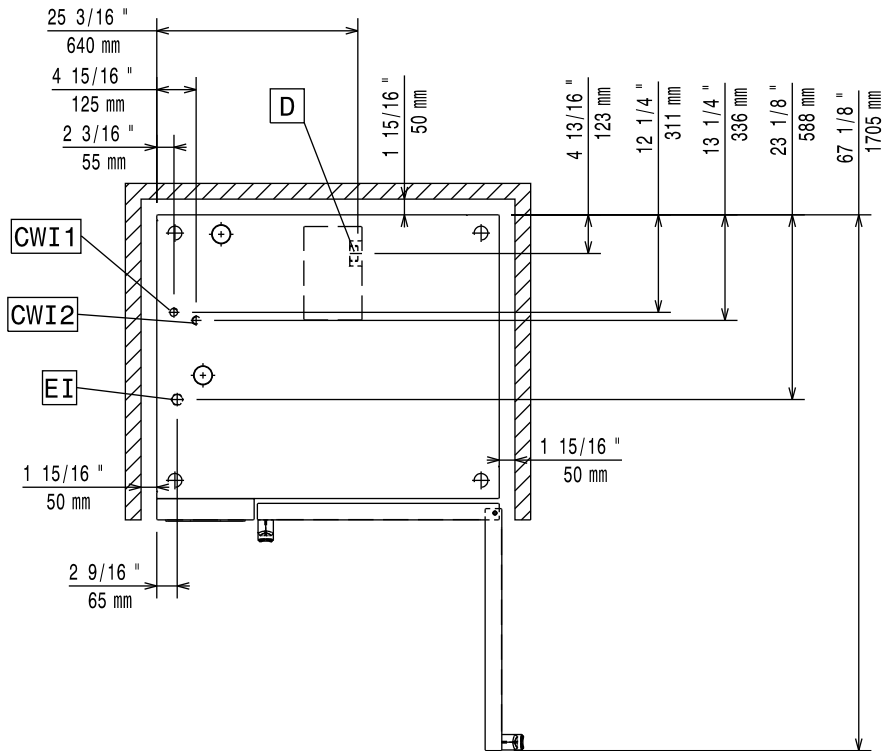
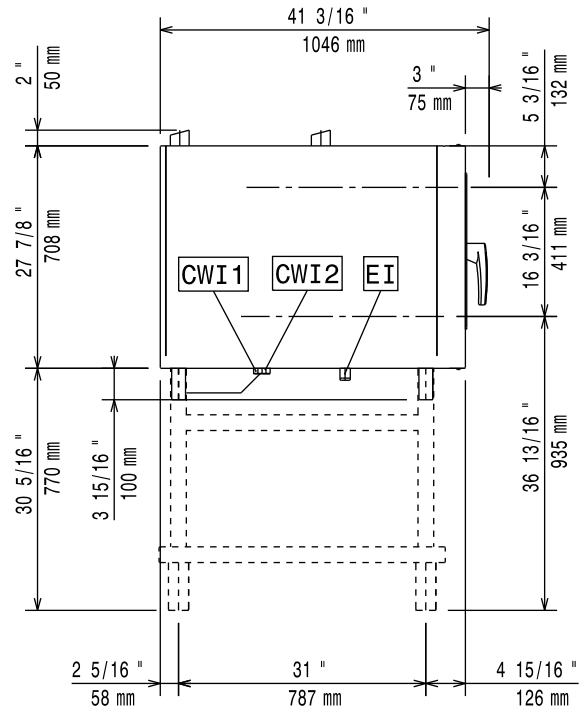
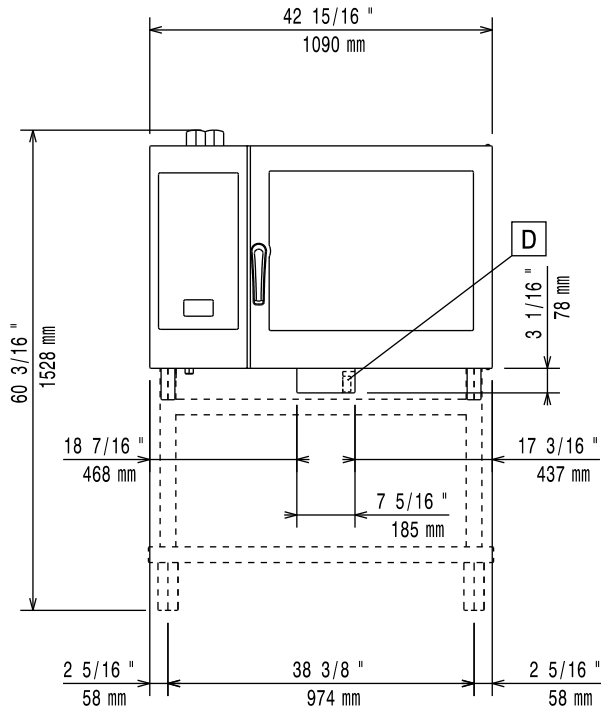
Installation diagram

6GN 1/1 Gas model – boilerless – Touch and Digital (code 597401Z00)



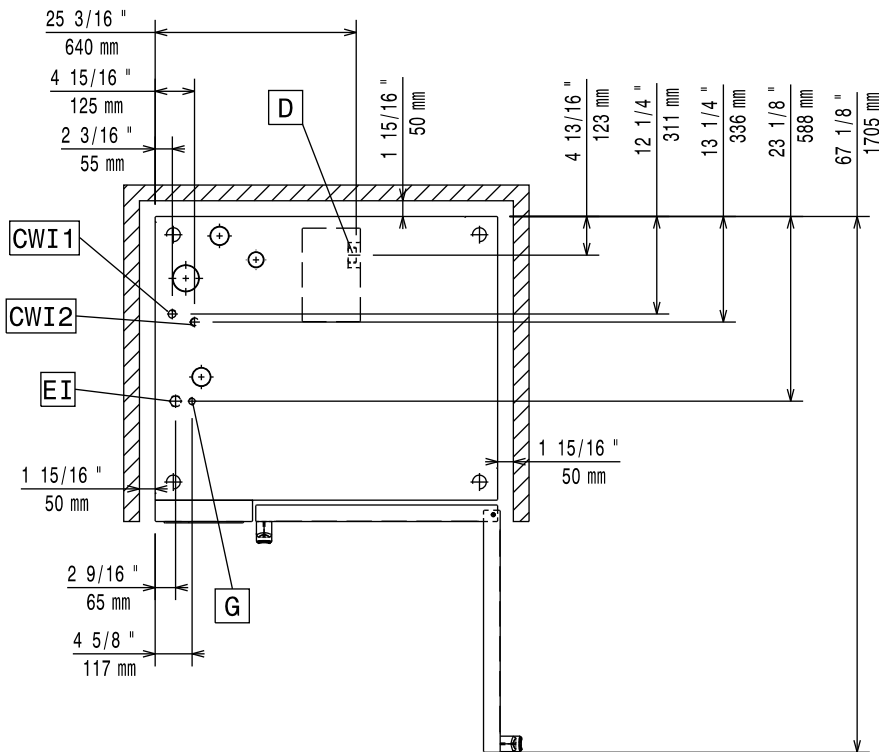
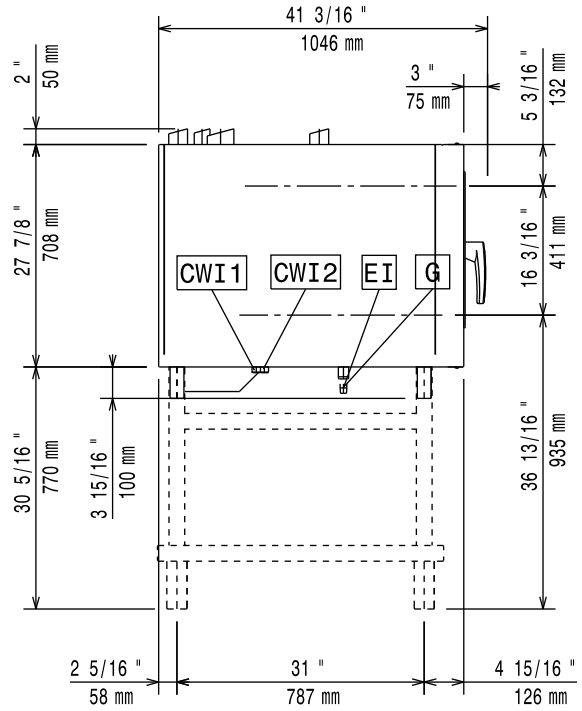
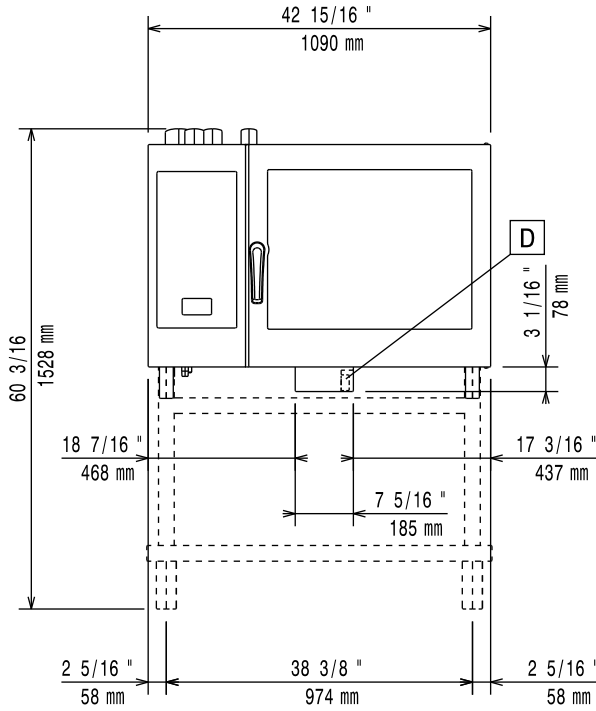
Installation diagram

6GN 2/1 Electric model – with boiler and boiler-less – Touch and Digital (code 597402700)



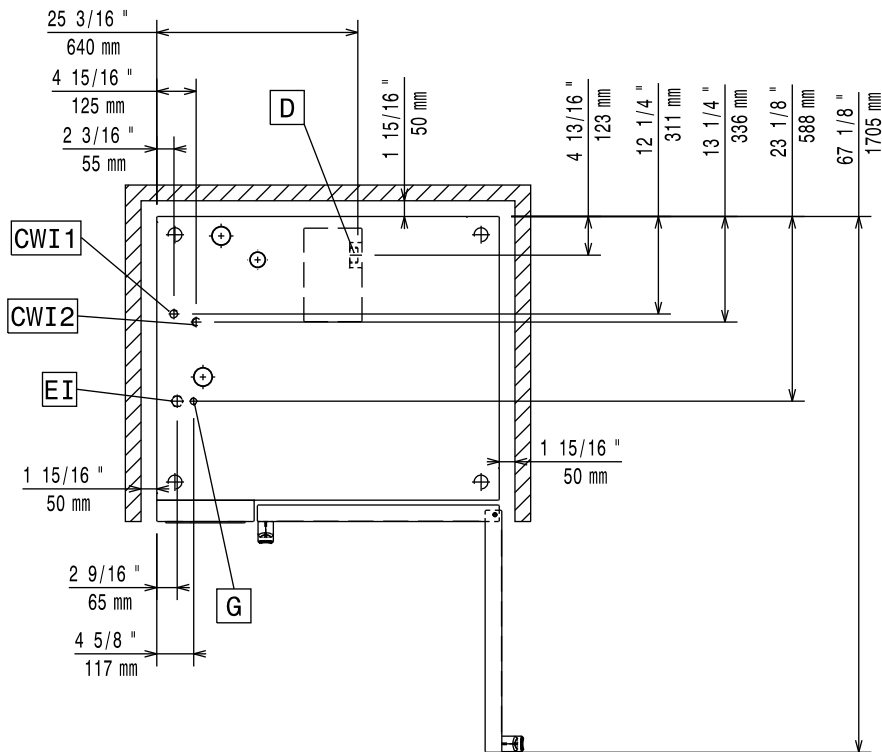
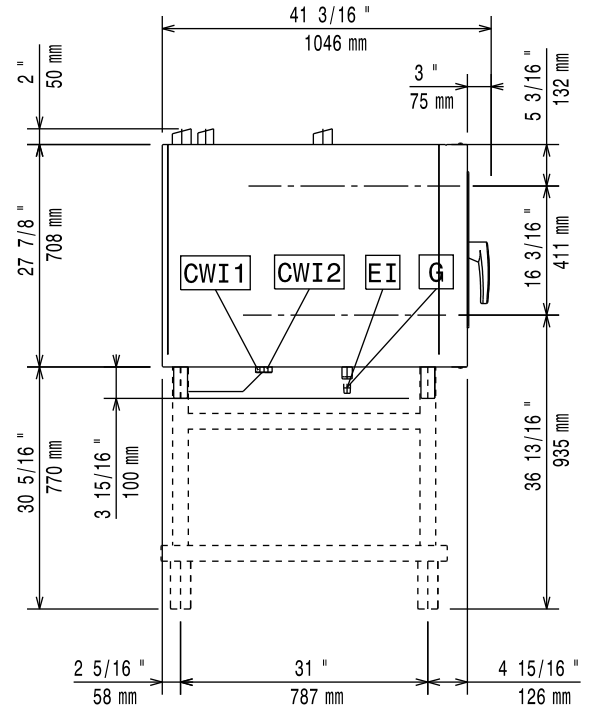
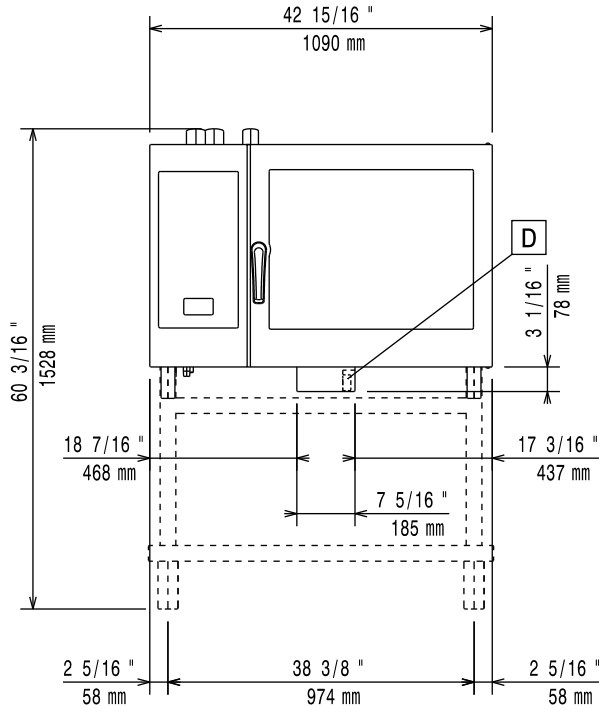
Installation diagram

6GN 2/1 Gas model – with boiler – Touch and Digital (code 597402600)



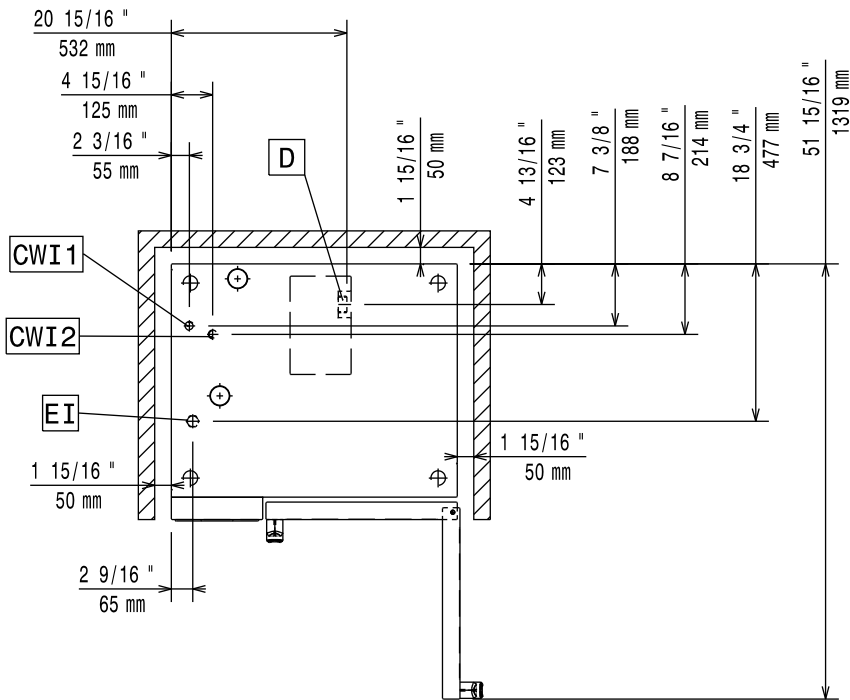
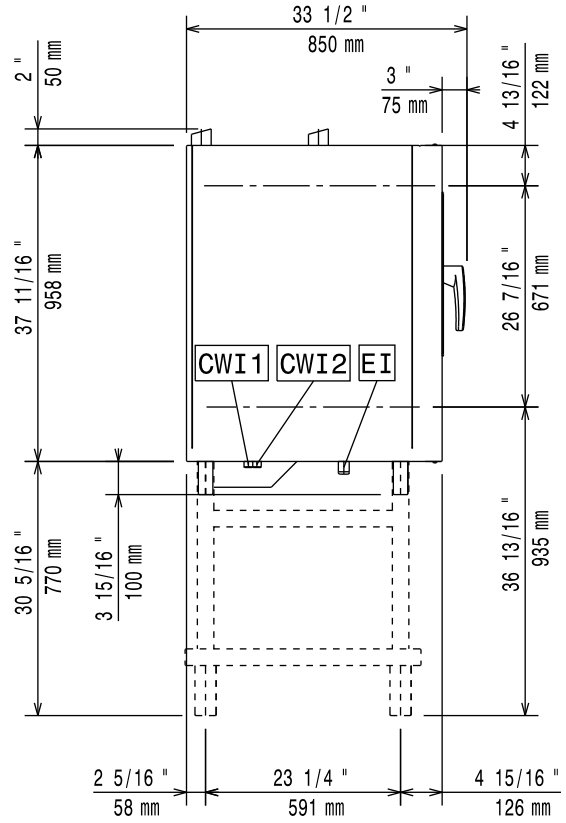
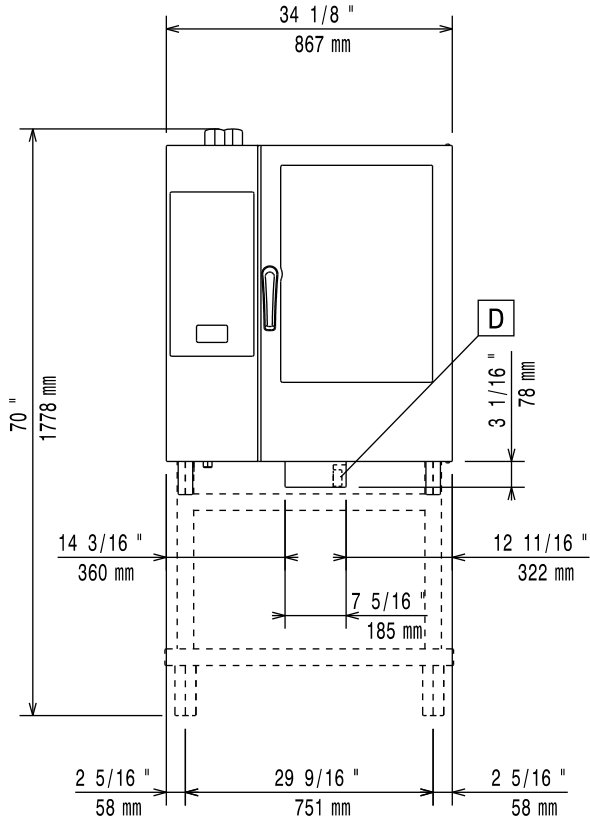
Installation diagram

6GN 2/1 Gas model – Boilerless – Touch and Digital (code 597402500)



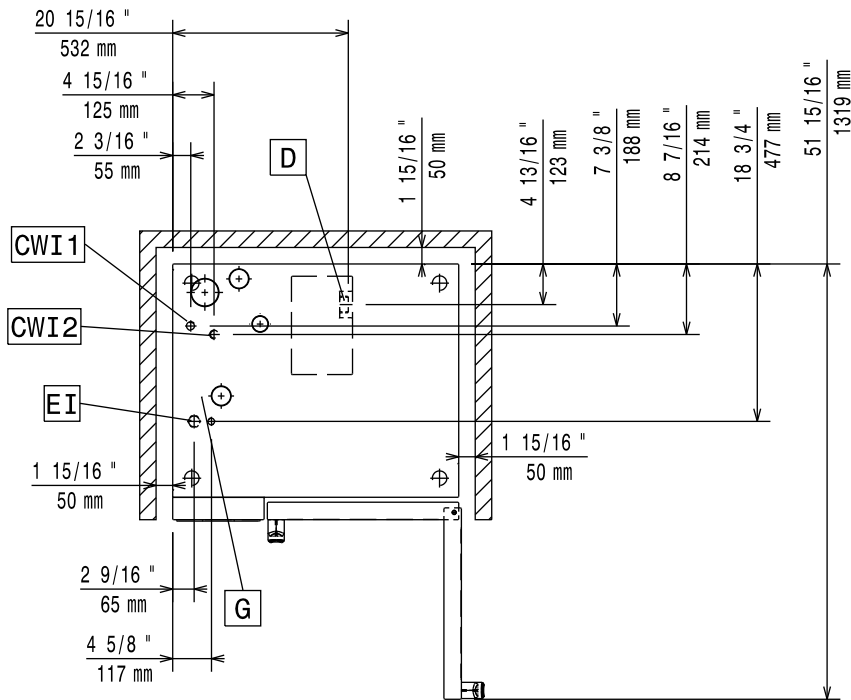
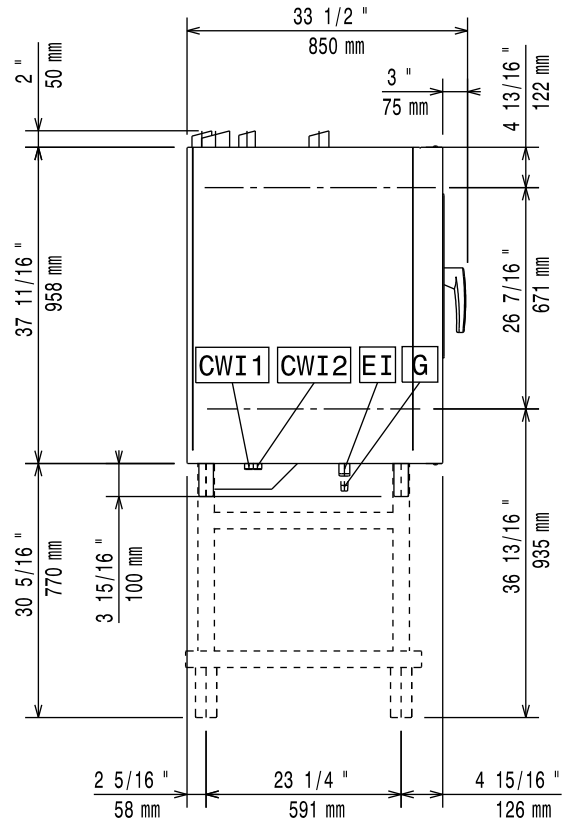
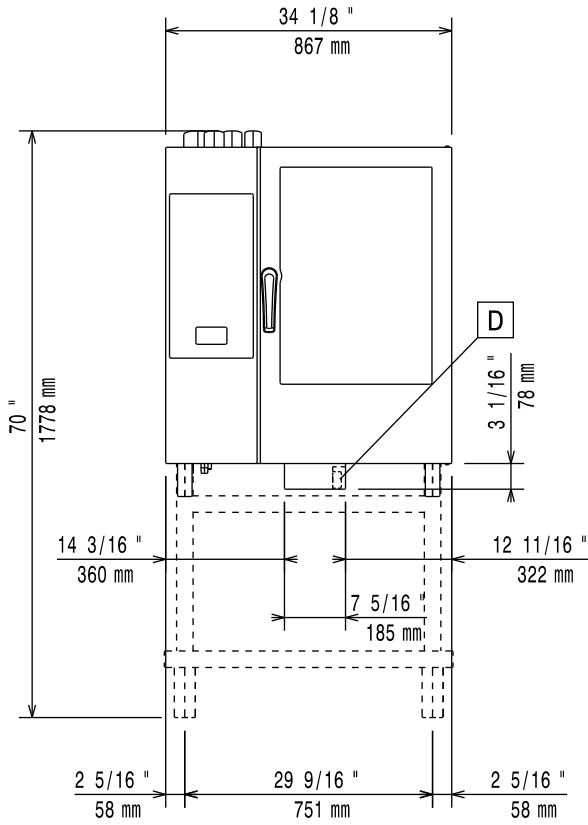
Installation diagram

10GN 1/1 Electric model – with boiler and boilerless – Touch and Digital (code 597402400)



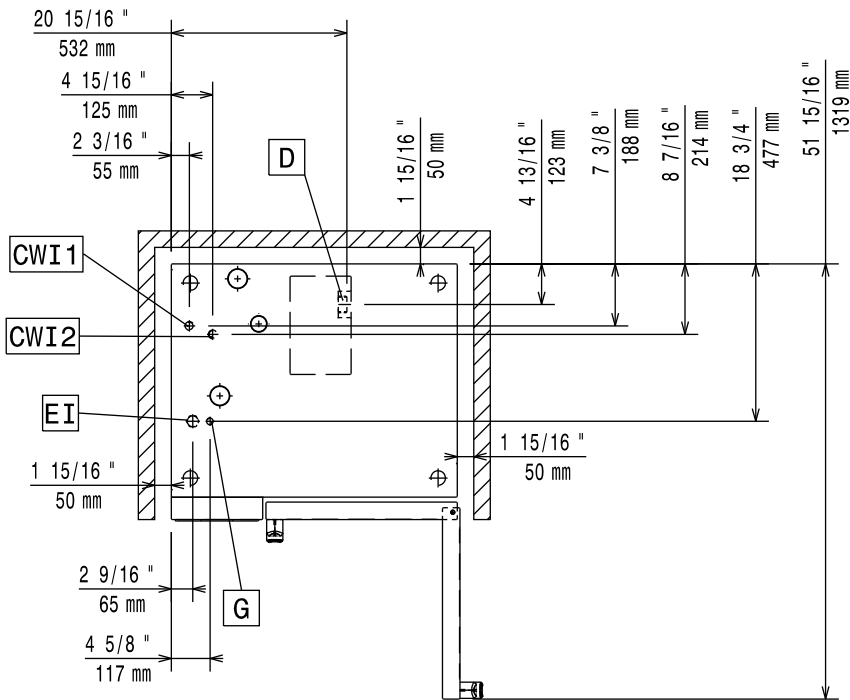
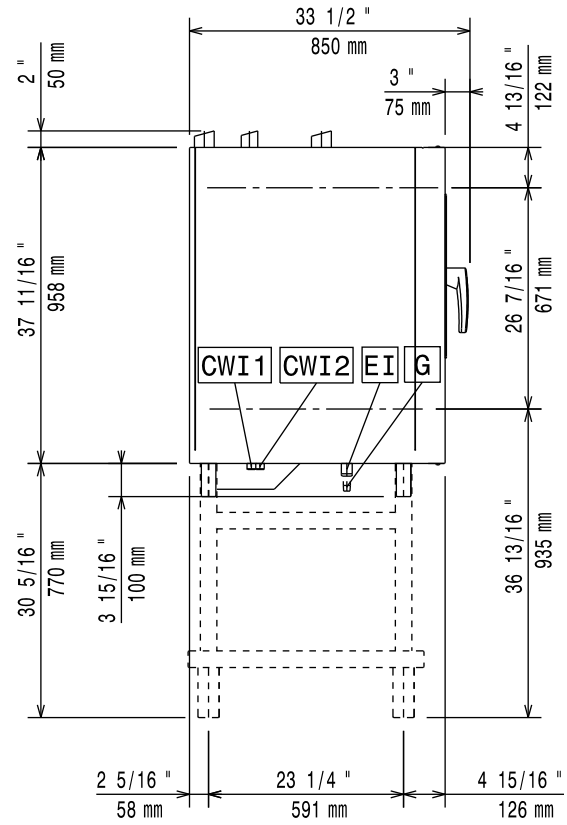
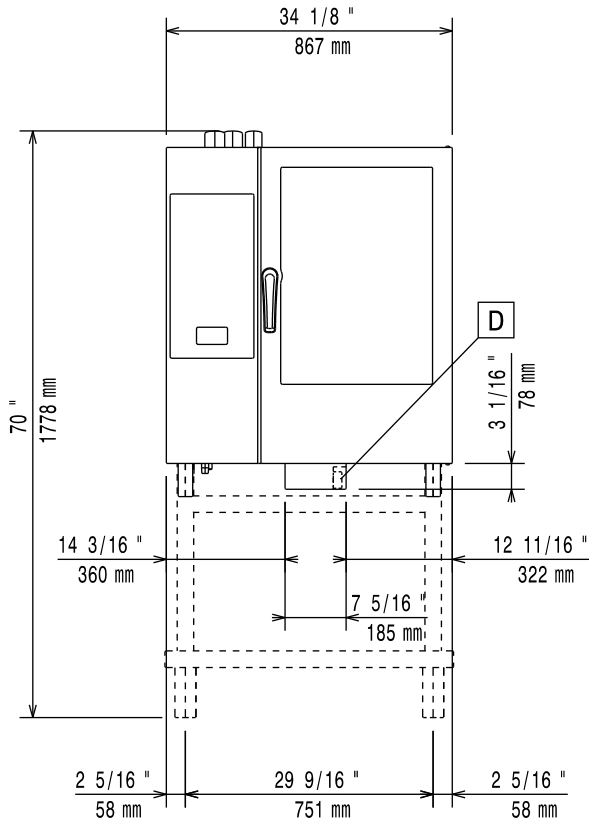
Installation diagram

10GN 1/1 Gas model – with boiler – Touch and Digital (code 597402300)



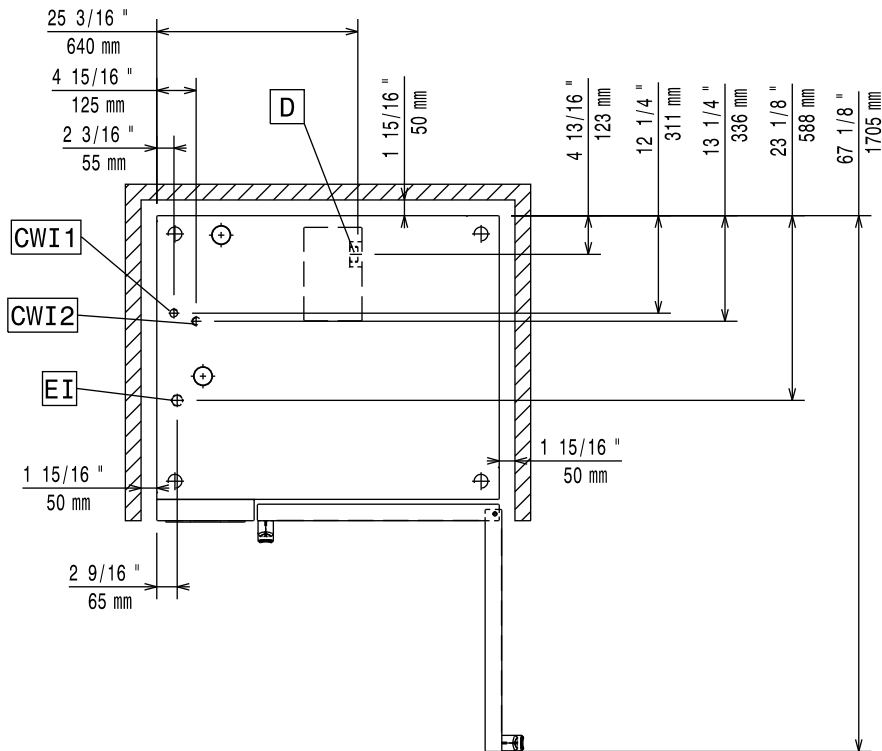
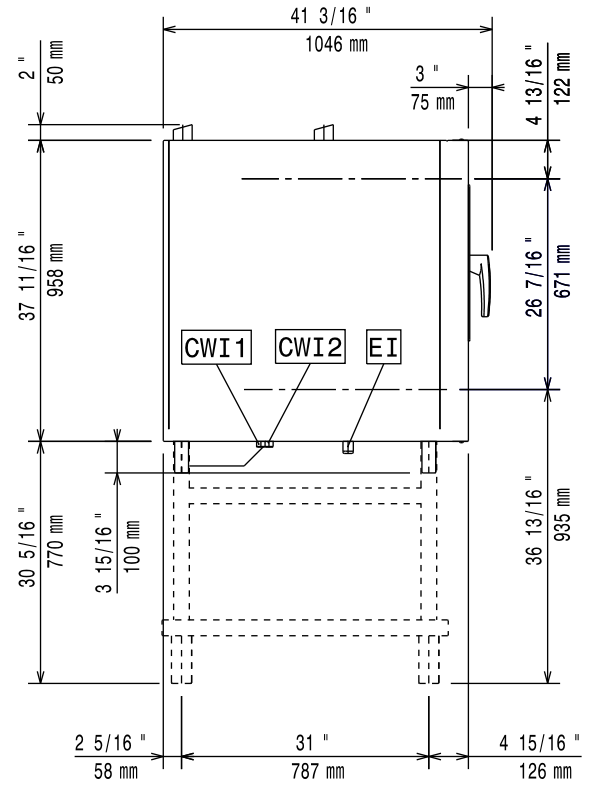
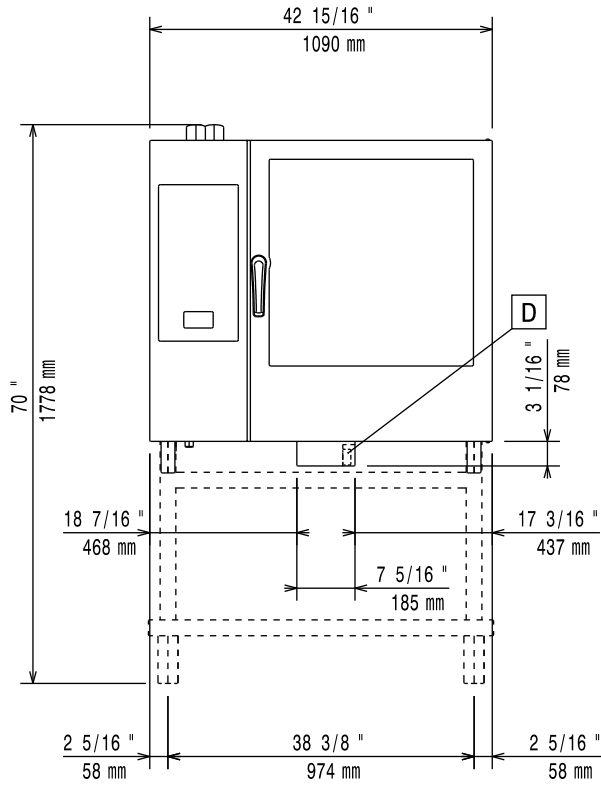
Installation diagram

10GN 1/1 Gas model – Boilerless – Touch and Digital (code 597402200)



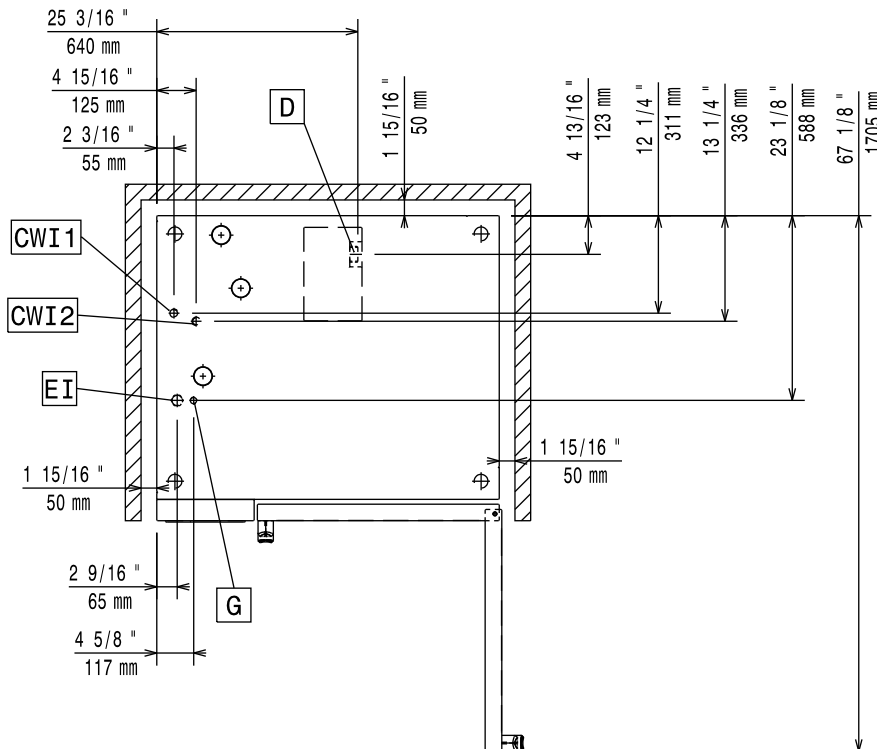
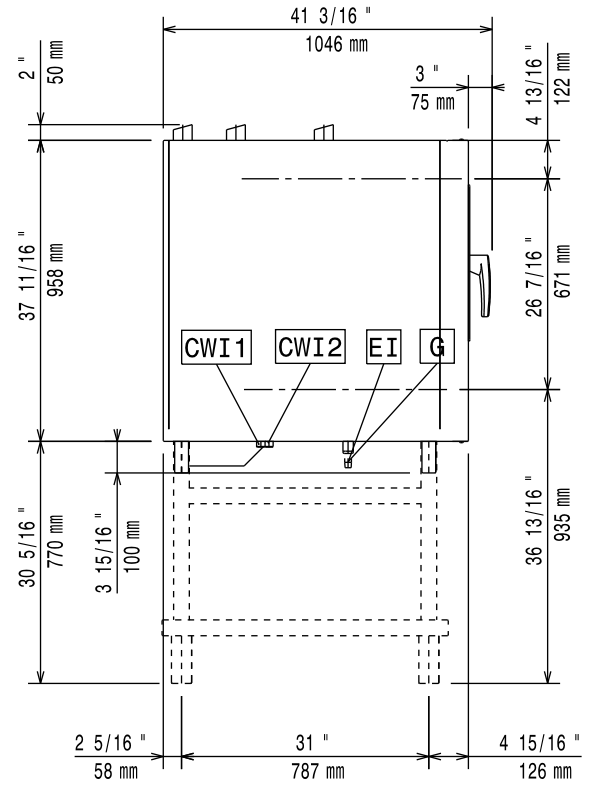
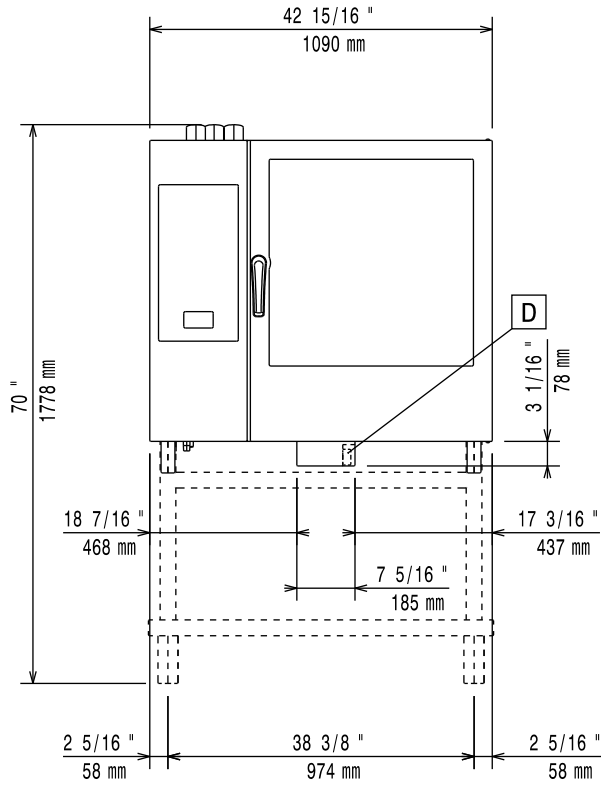
Installation diagram

10GN 2/1 Electric model – with boiler and boilerless – Touch and Digital (code 597402A00)



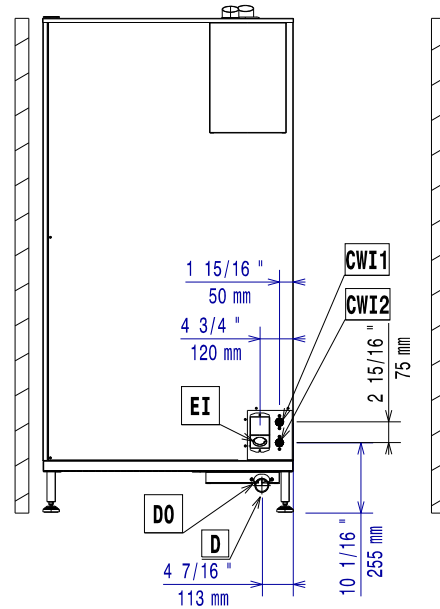
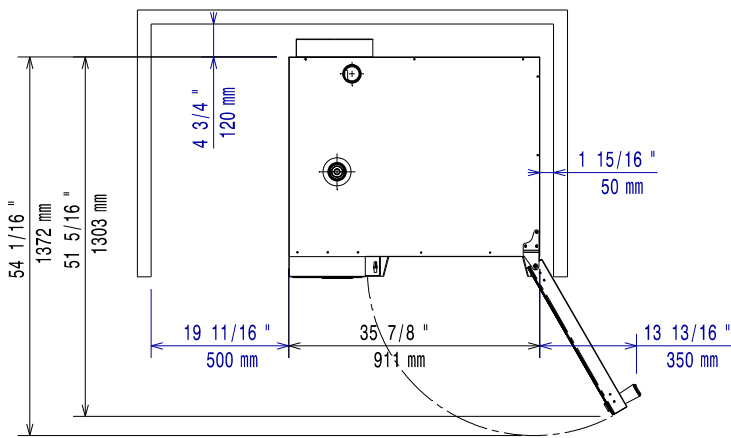
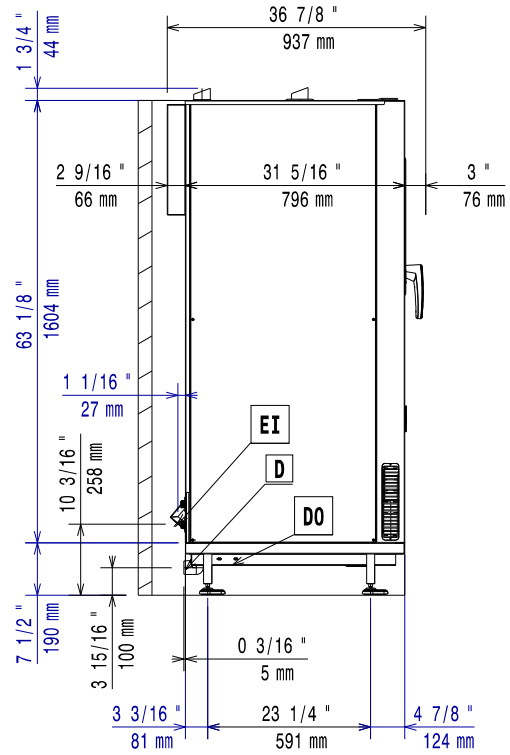
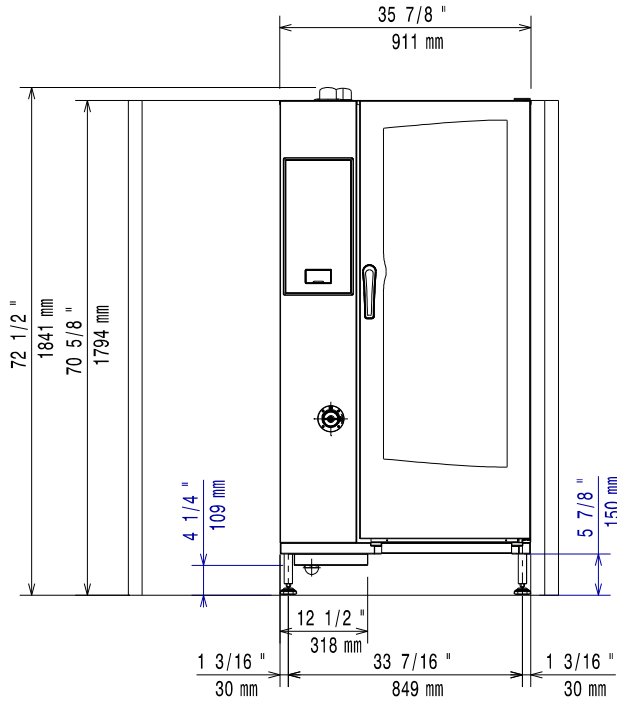
Installation diagram

10GN 2/1 Gas model – boilerless – Touch and Digital (code 597402800)



Installation diagram

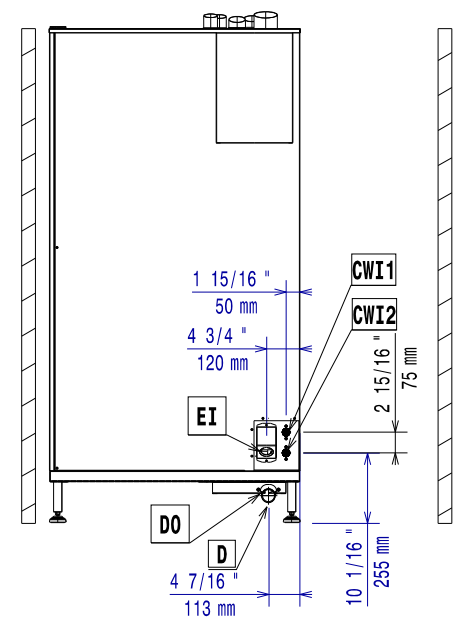
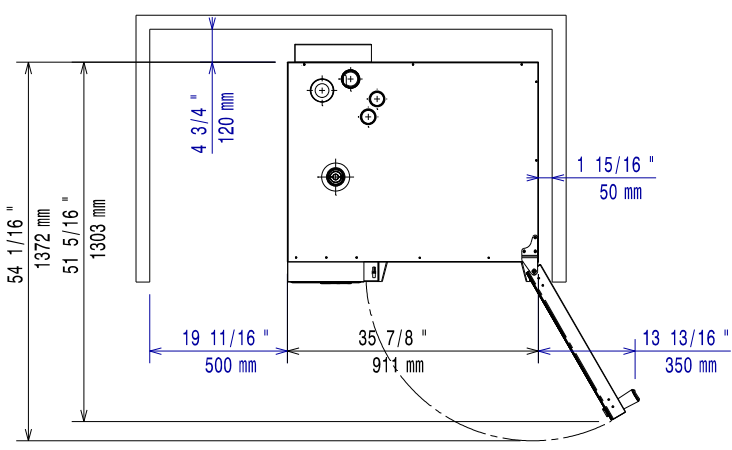
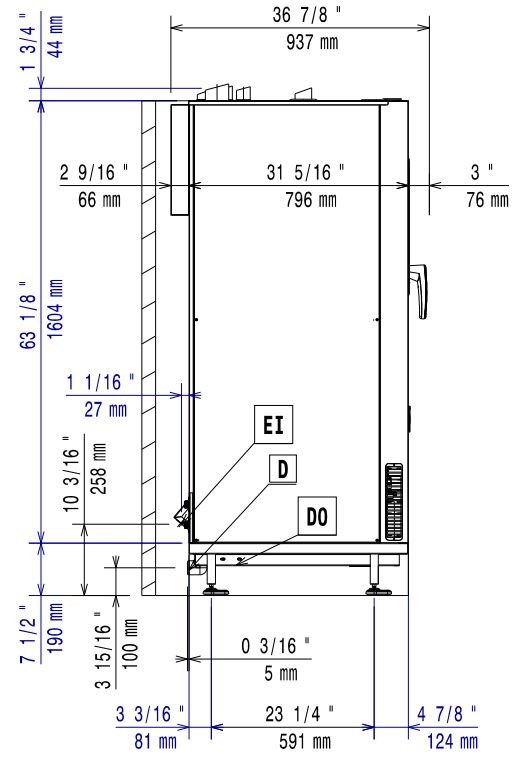
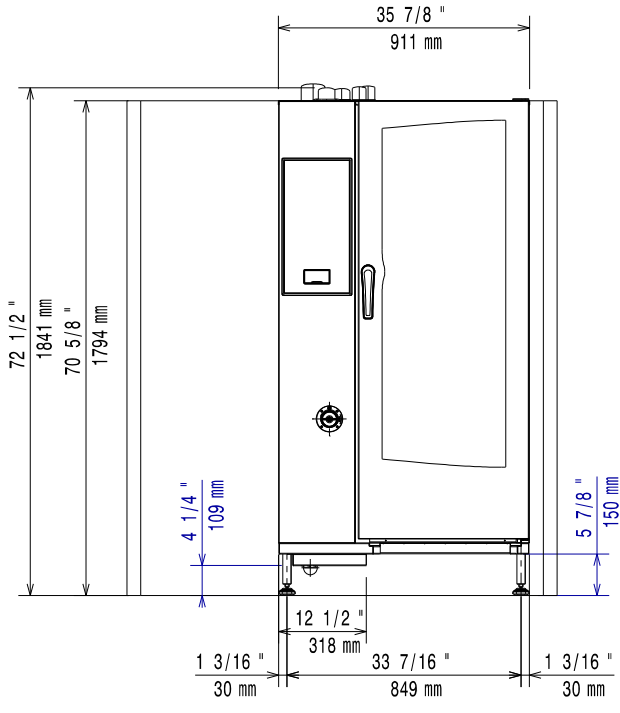
20GN 1/1 Electrical Model – Boilerless– Touch and Digital (code 597402P01)



597402P01

Installation diagram

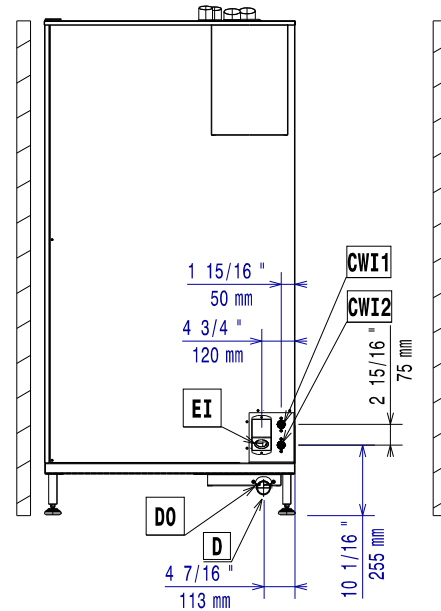
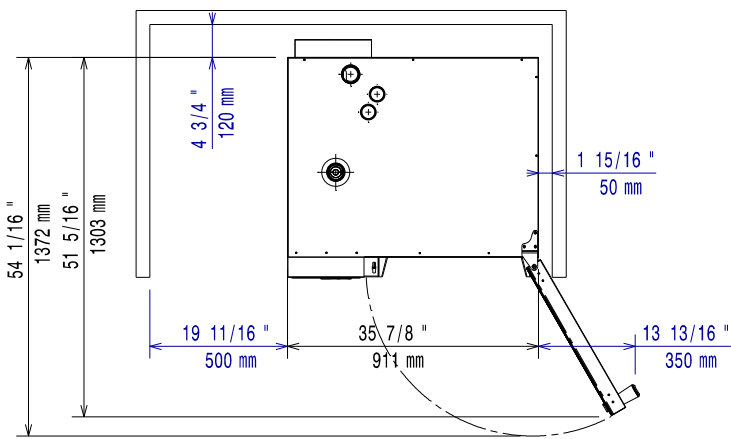
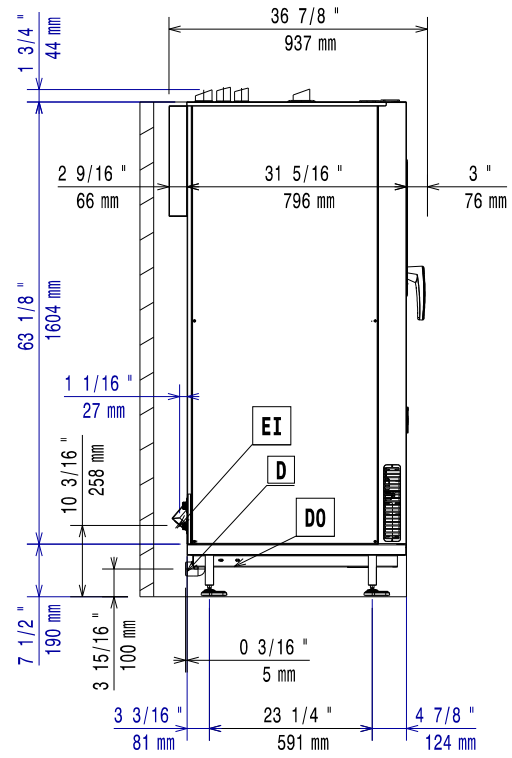
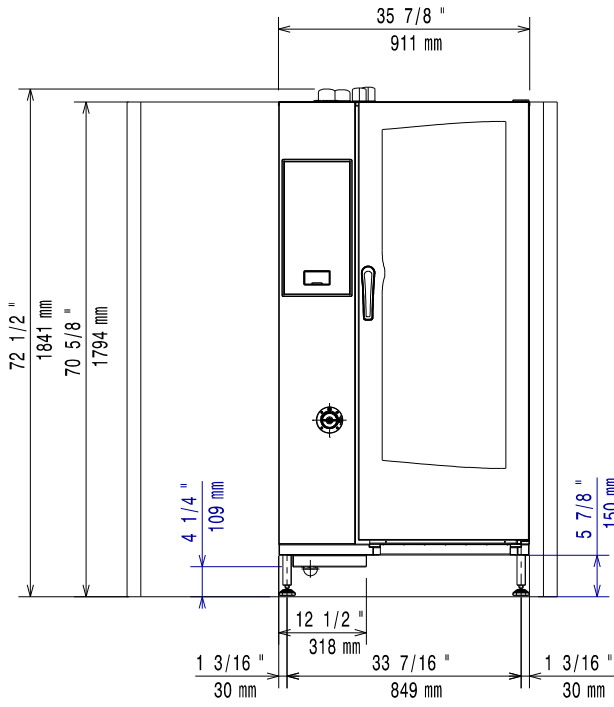
20GN 1/1 GN Gas Model – with boiler – Touch and Digital (code 597402Q01)



597402Q01

Installation diagram

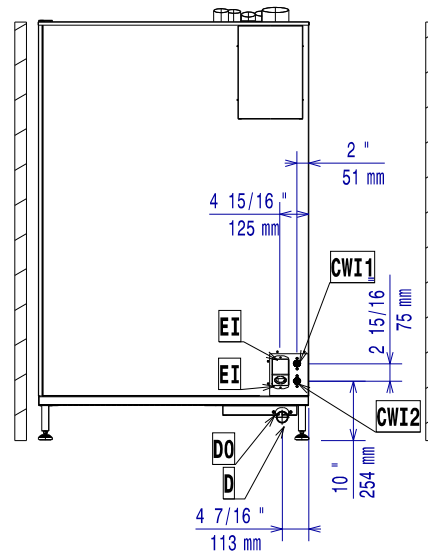
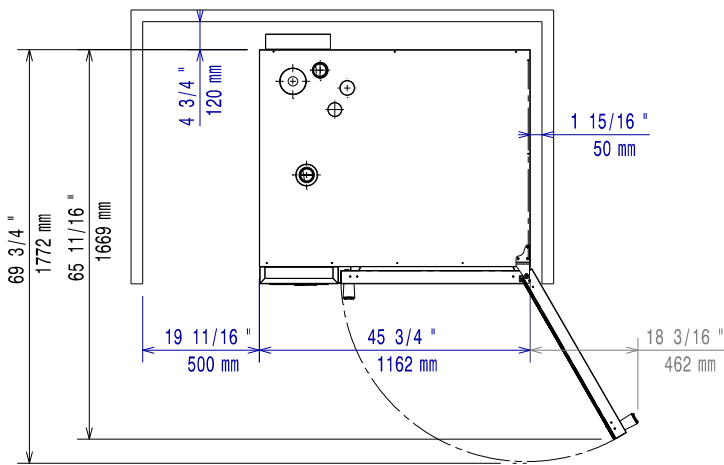
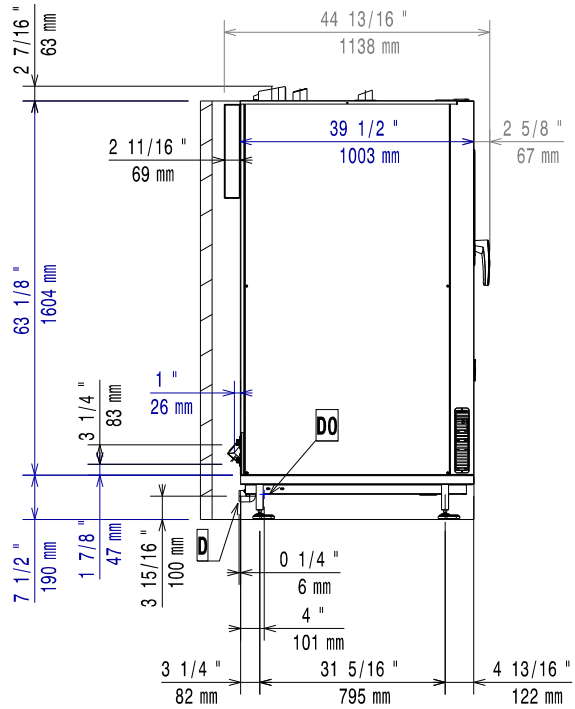
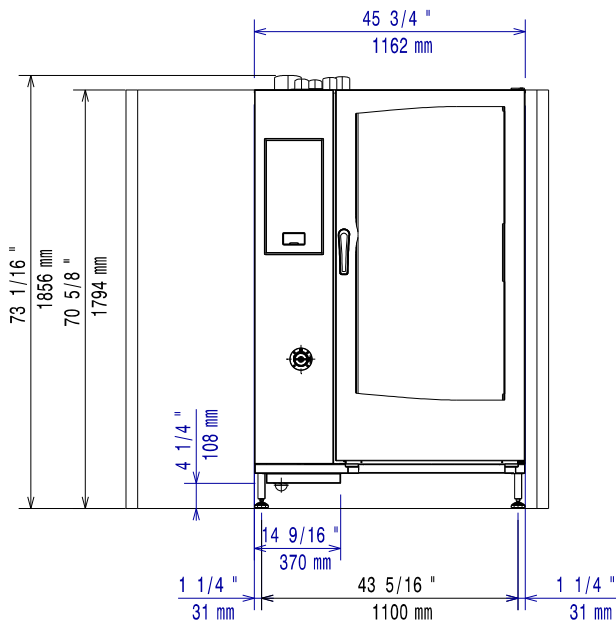
20GN 1/1 Gas Model – Boilerless – Touch and Digital (code 597402R01)



597402R01

Installation diagram

20GN 2/1 Gas Model – with boiler – Touch and Digital (code 597402W01)



597402W01

D = Drain outlet \varnothing 50 mm M
EI = Electricity inlet
CW1 = Cold water inlet G 3/4"

CW2 = Cold water inlet G 3/4" for treated water ISO 228/1
G = Gas connection \varnothing 1" M (20 GN 1/1 – 2/1 and 10 GN 2/1)
G = Gas connection \varnothing 1/2" M (6 GN 1/1 – 2/1 and 10 GN 1/1)

Foreword



Read the following instructions, including the warranty terms before installing and using the appliance.

Visit our website www.electroluxprofessional.com and open the Support section to:



Register your product



Get hints & tips of your product, service and repair information

The installation, use and maintenance manual (hereinafter Manual) provides the user with information necessary for correct and safe use of the appliance.

The following must not be considered a long and exacting list of warnings, but rather a set of instructions suitable for improving appliance performance in every respect and, above all, preventing injury to persons and animals and damage to property due to improper operating procedures.

All persons involved in appliance transport, installation, commissioning, use and maintenance, repair and disassembly must consult and carefully read this manual before carrying out the various operations, in order to avoid wrong and improper actions that could compromise the appliance's integrity or endanger people. Make sure to periodically inform the user regarding the safety regulations. It is also important to instruct and update personnel authorised to operate on the appliance, regarding its use and maintenance.

The manual must be available to operators and carefully kept in the place where the appliance is used, so that it is always at hand for consultation in case of doubts or whenever required.

If, after reading this manual, there are still doubts regarding appliance use, do not hesitate to contact the Manufacturer or the authorised Service Centre to receive prompt and precise assistance for better operation and maximum efficiency of the appliance. During all stages of appliance use, always respect the current regulations on safety, work hygiene and environmental protection. It is the user's responsibility to make sure the appliance is started and operated only in optimum conditions of safety for people, animals and property.



IMPORTANT

- The manufacturer declines any liability for operations carried out on the appliance without respecting the instructions given in this manual.
- The manufacturer reserves the right to modify the appliances presented in this publication without notice.
- No part of this manual may be reproduced.
- This manual is available in digital format by:
 - contacting the dealer or reference customer care;
 - downloading the latest and up to date manual on the web site www.electroluxprofessional.com;
- The manual must always be kept in an easily accessed place near the appliance. Appliance operators and maintenance personnel must be able to easily find and consult it at any time.

Contents

A	WARNING AND SAFETY INFORMATION	24
A.1	General information	24
A.2	Personal protection equipment	24
A.3	General safety	25
A.4	Safety signs to be placed on the appliance or near its area	26
A.5	Residual risks	26
A.6	Transport, handling and storage	26
A.7	Installation and assembly	27
A.8	Electrical connection	27
A.9	Water connection	27
A.10	Positioning	27
A.11	Appliance space limitations	27
A.12	Appliance disposal	28
B	APPLIANCE AND MANUFACTURER'S IDENTIFICATION DATA	29
B.1	Data plate position	29
B.2	Appliance and manufacturer's identification data	29
C	GENERAL INFORMATION	30
C.1	Introduction	30
C.2	Testing and inspection	30
C.3	Copyright	30
C.4	Keeping the manual	30
C.5	Recipients of the manual	30
C.6	Definitions	30
C.7	Responsibility	30
C.8	Customer packaging checks	30
C.9	Storage	31
D	TECHNICAL DATA	31
D.1	ELECTRICAL models data	31
D.2	ELECTRICAL and GAS models data	31
D.3	GAS models data	32
D.4	Appliance dimensions	33
E	PRODUCT DESCRIPTION	34
E.1	Appliance overview	34
E.2	Trolley in 20GN models	34
F	INSTALLATION AND ASSEMBLY	35
F.1	Introduction	35
F.2	Installation in Australia	35
F.3	Customer's responsibilities	35
F.4	Installation	35
F.4.1	Unpacking	35
F.4.2	Disposal of packing	37
F.4.3	Positioning	37
F.4.4	Tabletop models	38
F.4.5	Installation on castors	38
F.4.6	20GN models adjustments	39
F.4.7	Stacking installations	40
F.4.8	Fixing oven systems	40
F.4.9	Hygienic requirements	41
F.5	Water connection	41
F.5.1	Water inlets	41
F.5.2	How to connect the oven to the water system	42
F.5.3	Specific water connection requirements	43
F.5.4	Water characteristics for inlet "CW12"	43
F.5.5	Check supply pressure	45
F.6	Water draining system	45
F.7	Electrical connection	46
F.7.1	General precautions for electrical connection	46
F.7.2	Power cable installation in electric models	47
F.7.3	Power cable installation in gas models	48
F.7.4	Safety device	48
F.8	Connectivity	49
F.8.1	Installation	49
F.9	Gas connection	49
F.9.1	General precautions for gas connection	49
F.9.2	Nominal heat output	49
F.9.3	Check the supply pressure	49
F.9.4	Pressure of all type of gas	50
F.9.5	Fume exhaust	51
F.9.6	Burnt gas discharge	51
F.9.7	Extractor hood (UK only)	52
F.9.8	Instructions for the exhausting system	52

G	FIRST START UP	53
G.1	Recap checks	53
H	CONVERSION TO A DIFFERENT GAS TYPE	53
H.1	Warning.....	53
H.2	Replacement of the GAS VALVE nozzle	53
H.3	Gas valve adjustment (refer to Figure 1)	53
H.3.1	Appliance gas type sticker.....	53
H.4	Nozzles and adjustments / gas types	54
I	APPLIANCE SET UP	55
I.1	Introduction	55
I.1.1	Touch models.....	55
I.1.2	Digital models	55
J	APPLIANCE DISPOSAL.....	55
J.1	Procedure regarding appliance disposal	55
J.1.1	Recyclability.....	55
J.1.2	Procedure regarding appliance disposal and component / material recovery	55

A WARNING AND SAFETY INFORMATION

A.1 General information

To ensure safe use of the appliance and a proper understanding of the manual it is necessary to be familiar with the terms and typographical conventions used in the documentation. The following symbols are used in the manual to indicate and identify the various types of hazards:



WARNING

Danger for the health and safety of operators.



WARNING

Danger of electrocution - dangerous voltage.



CAUTION

Risk of damage to the appliance or the product.



IMPORTANT

Important instructions or information on the product



Equipotentiality



Read the instructions before using the appliance






Clarifications and explanations

- Incorrect installation, servicing, maintenance, cleaning or modifications to the unit may result in damage, injury or death.
- Only specialised personnel are authorised to operate on the appliance.
- This appliance is to be intended for commercial and collective use, for example in kitchens of restaurants, canteens, hospitals and in commercial enterprises such as bakeries, butcheries, etc., not for continuous mass production of food. Any other use is deemed improper.
- This appliance must not be used by minors and adults with limited physical, sensory or mental abilities or without adequate experience and knowledge regarding its use.
- For your safety do not store or use gasoline or other flammable materials, vapours and liquids in the vicinity of this or any other appliance.
- Do not store explosive substances, such as pressurized containers with flammable propellant, in this appliance.
- Refer to the data given on the appliance's data plate for relations with the Manufacturer (e.g. when ordering spare parts, etc.).
- When scrapping the appliance, the marking CE must be destroyed.
- Save these instructions carefully for further consultation by the various operators.

A.2 Personal protection equipment

Summary table of the Personal Protection Equipment (PPE) to be used during the various stages of the appliance's service life.

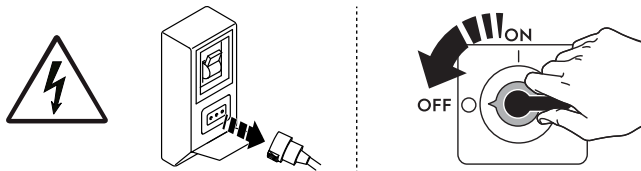
Stage	Protective garments 	Safety footwear 	Gloves 	Glasses 	Safety helmet 
Transport	—	●	○	—	○
Handling	—	●	○	—	—
Unpacking	—	●	○	—	—
Installation	—	●	● ¹	—	—
Normal use	●	●	● ²	—	—
Adjustments	○	●	—	—	—
Routine cleaning	○	●	● ¹⁻³	○	—
Extraordinary cleaning	○	●	● ¹⁻³	○	—
Maintenance	○	●	○	—	—
Dismantling	○	●	○	○	—
Scrapping	○	●	○	○	—

Stage	Protective garments	Safety footwear	Gloves	Glasses	Safety helmet
					
Key:					
●	PPE REQUIRED				
○	PPE AVAILABLE OR TO BE USED IF NECESSARY				
—	PPE NOT REQUIRED				

1. During these operations, gloves must be cut-resistant. Failure to use the personal protection equipment by operators, specialized personnel or users can involve exposure to harm to health (depending on the model).
2. During these operations, gloves must be heatproof to protect hands from contact with hot food or hot parts of the appliance and/or when removing hot items from it. Failure to use the personal protection equipment by operators, specialised personnel or users can involve exposure to chemical risk and cause possible harm to health (depending on the model).
3. During these operations, gloves must be suitable for contact with chemical substances used (refer to the safety data sheet of the substances used for information regarding the required PPE). Failure to use the personal protection equipment by operators, specialized personnel or users can involve exposure to chemical risk and cause possible harm to health (depending on the model).

A.3 General safety




- The appliances are provided with electric and/or mechanical safety devices for protecting workers and the appliance itself.
- Never operate the appliance, removing, modifying or tampering with the guards, protection or safety devices.
- Do not make any modifications to the parts supplied with the appliance.
- Several illustrations in the manual show the appliance, or parts of it, without guards or with guards removed. This is purely for explanatory purposes. Do not use the appliance without the guards or with the protection devices deactivated.






Disconnect the appliance from the power supply before carrying out any installation, assembly, cleaning or maintenance procedure.

- Do not remove, tamper with or make illegible the CE marking, the safety, danger and instruction signs and labels on the appliance.
- The A-weighted emission sound pressure level does not exceed XXX dB(A).
- Do not use products (even if diluted) containing chlorine (sodium hypochlorite, hydrochloric or muriatic acid, etc.) to clean the appliance or the floor under it.
- Carefully avoid exposure of the equipment to ozone - do not use ozonizers in the rooms where the equipment is installed.
- Do not spray aerosols in the vicinity of this appliance while it is in operation.
- Do not place flammable liquids (e.g. spirits) inside the oven during operation.
- Never check for leaks with an open flame.
- For gas models, do not connect the appliances to networks containing gases containing carbon monoxide or other toxic components.
- Install the appliance under conditions of adequate ventilation in order to provide a suitable air change per hour. Make sure that the ventilation system, whatever it is, always remains operational and efficient for the entire period of time during which the equipment is operating.
- If the recirculating (condensation or odourless) hood accessory is used, make sure that the ventilation system, whatever it is, is adequate for the installed power, also in accordance with national and local regulations and provisions on air changes.
- Improper ventilation of the oven can be hazardous to the health of the operator; and will result in operational problems, unsatisfactory cooking results, and possible damage to the equipment. Damage sustained as a direct result of improper ventilation OF THE OVEN will not be covered by the Manufacturer's warranty.
- Do not obstruct the flow of combustion and ventilation air.
- When the oven is operating and hot, always open the door with caution to avoid the risk of sudden ejection of hot air or steam.
- The following operations have to be carried out by specialised authorised personnel or Customer Care Service provided with all the appropriate personal protection equipment (A.2 *Personal protection equipment*), tools, utensils and ancillary means, who can ask the manufacturer to supply a servicing manual:
 - Installation and assembly
 - Positioning
 - Electrical connection
 - Appliance cleaning, repair and extraordinary maintenance
 - Appliance disposal
 - Work on electrical equipment
 - Gas installation/connection and gas conversion;

A.4 Safety signs to be placed on the appliance or near its area

Prohibition	Meaning
	do not remove the safety devices
	do not use water to extinguish fires (placed on electrical parts)
	Keep the area around the appliance clear and free from combustible materials. Do not keep flammable materials in the vicinity of the appliance

Danger	Meaning
	caution hot surface
	danger of electrocution (shown on electrical parts with indication of voltage)
	risk of scalding

A.5 Residual risks

The appliance has several risks that were not completely eliminated from a design standpoint or with the installation of adequate protection devices. Nevertheless, through this manual the Manufacturer has taken steps to inform operators of such risks, carefully indicating the personal protection equipment to be used by them. In order to reduce the risks, provide for sufficient spaces while installing the unit.

To preserve these conditions, the areas around the appliance must always be:

- kept free of obstacles (e.g. ladders, tools, containers, boxes, etc.);
- clean and dry;
- well lit.

For the Customer's complete information, the residual risks remaining on the appliance are indicated below: such actions are deemed improper and therefore strictly forbidden.

Residual risk	Description of hazardous situation
Slipping or falling	The operator can slip due to water, any liquid or dirt on the floor
Burns/abrasions (e.g. heating elements, cold pan, cooling circuit plates and pipes)	The operator deliberately or unintentionally touches some components inside the appliance without using protective gloves.
Electrocution	Contact with live parts during maintenance operations carried out with the electrical panel powered
Falling from above	The operator intervenes on the appliance using unsuitable systems to access the upper part (e.g. rung ladders, or climbs on it)
Crushing or injury	The specialised personnel may not correctly fix the control panel when accessing the technical compartment. The panel could close suddenly.
Tipping of loads	When handling the appliance or the packing containing it, using unsuitable lifting systems or accessories or with the unbalanced load
Chemical	Contact with chemical substances (e.g. detergent, rinse aid, scale remover, etc.) without taking adequate safety precautions. Therefore always refer to the safety cards and labels on the products used.
Sudden closure	The operator for normal appliance use could suddenly and deliberately close the lid/door/oven door (if present, depending on the appliance type).

A.6 Transport, handling and storage

- Transport (i.e. transfer of the appliance from one place to another) and handling (i.e. transfer inside workplaces) must occur with the use of special and adequate means.
- Please refer to indications on packaging for stackability during transport, handling and storage.

- Do not stand under suspended loads during loading or unloading operations. Unauthorized personnel must not enter the work area.
- The weight of the appliance alone is not sufficient to keep it steady.
- For appliance handling, do not lift and anchor it to movable or weak parts such as: casings, electrical raceways, pneumatic parts, etc.
- Do not push or pull the appliance to move it, as it may tip over. Use proper tool to lift the appliance.
- Arrange a suitable area with flat floor for appliance unloading and storage operations.
- Appliance transport, handling, shifting and storage personnel must be adequately instructed and trained regarding the safely use of lifting systems and personal protection equipment suitable for the type of operation carried out.
- When removing the anchoring systems, make sure the stability of the appliance parts does not depend on the anchoring and, therefore, that this operation does not cause the load to fall off the vehicle. Before unloading the appliance components, make sure all the anchoring systems are removed.

A.7 Installation and assembly

Install the appliance in compliance with the current local and national regulations.

- The operations described must be carried out in compliance with the current safety regulations and provisions in force in the country of use.
- When installing the appliance, make sure gas set and pressure is carried out in compliance with that specified on the data plate.
- The appliance is not suitable for installation outdoors and/or in places exposed to atmospheric agents (rain, direct sunlight, etc.).

A.8 Electrical connection

- The power supply system must be suitable for the rated current of the connected appliance; the connection must be carried out in compliance with the regulations and provisions in force in the country of use.
- The information regarding the appliance power supply voltage and frequency is given on the data plate.
- Install between the power cable and the electric line a differential thermal-magnetic switch suitable for the absorption specified on the data plate, with contact gap enabling complete disconnection in category III overvoltage conditions and complying with the regulations in force.

For the correct sizing of the switch or plug, refer to the absorbed current specified on the appliance data plate.

- If the power cable is damaged or too short, it must be replaced by the Customer Care Service or in any case by specialised personnel, in order to prevent any risk.
- The manufacturer declines any liability for damage or injury resulting from breach of the above rules or non-compliance with the electrical safety regulations in force in the country where the appliance is used.
- Verify that a safety circuit breaker is installed between the power cable of the appliance and the mains electric line. The contact opening max. distance and leakage current must comply with the local safety regulations.

A.9 Water connection

- **Water connection must be carried out in compliance with the regulations and provisions in force with the country.**
- The pressure measured upstream of the oven (and downstream of any WATER FILTRATION SYSTEMS installed) must be between 100 – 600 kPa (1,0 – 6,0 bar / 14,5 – 87psi) measured in dynamic conditions, i.e. during the boiler filling and washing phase.
-



WARNING

The manufacturer declines any liability if the safety regulations are not respected.

A.10 Positioning

- Install the appliances, taking all the safety precautions required for this type of operation, also respecting the relevant fire-prevention measures.
- Handle the appliance with care in order to avoid damage or danger to people. Use a pallet for handling and positioning.
- The installation diagram gives the appliance overall dimensions and the position of connections (gas, electricity, water). Check that they are available and ready for making all the necessary connections.
- Check and, if necessary, level the appliance after positioning. Incorrect levelling can cause appliance malfunctioning.
- The appliance should be positioned in order to guarantee safe and ergonomic operations, i.e the operator must be able to open and close the door standing frontally and load and unload the trays with no need to tilt or rotate them. To avoid burns, do not use recipients containing liquids (or products that become liquid with cooking) in shelves positioned at levels higher than 1,6 m above the floor (stacking installation included). This is to prevent spilling during handling.
- In case of “Marine” models, the appliances must be fixed to the floor.
- Prevent the areas where the appliance is installed to be polluted with corrosive substances (chlorine, etc.). The manufacturer declines any liability for corrosive effects due to external causes.

A.11 Appliance space limitations

- The appliances are not suitable for recess-mounting. Leave a space of at least 50 mm between the appliance and right side and rear walls and 500 mm from the left wall, or in any case an adequate space to enable subsequent servicing or maintenance operations.
- Maintain a distance of at least 100 mm between the appliance and any combustible walls.

A.12 Appliance disposal

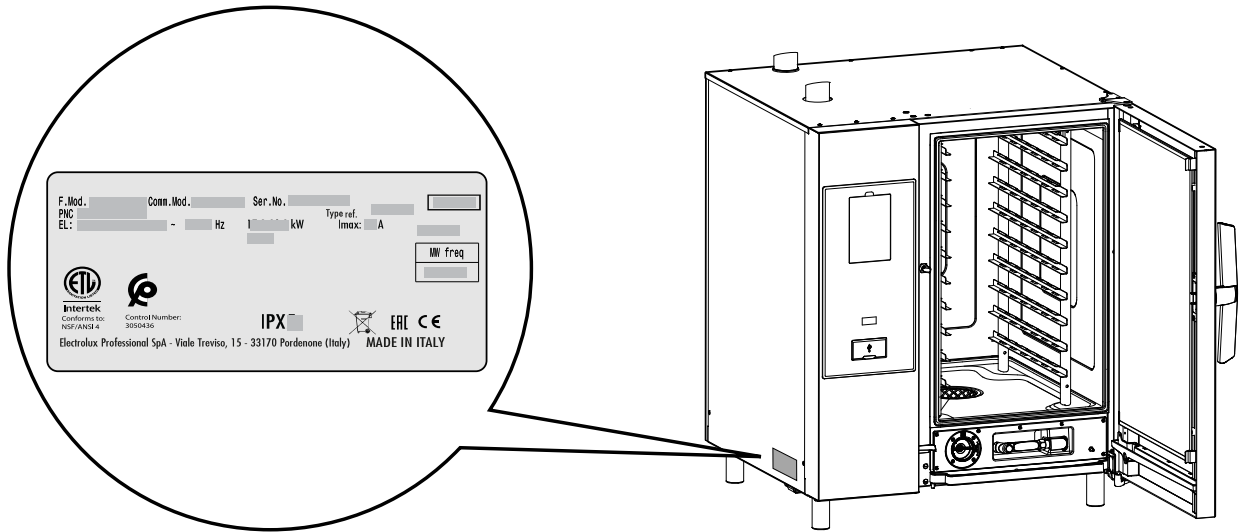
- Make the appliance unusable by removing the power cable and any compartment closing devices, to prevent the possibility of someone becoming trapped inside.

B APPLIANCE AND MANUFACTURER'S IDENTIFICATION DATA

B.1 Data plate position

This instruction manual contains information relevant to various appliances.

See the data plate located on the left side to identify the appliance (see the picture below).



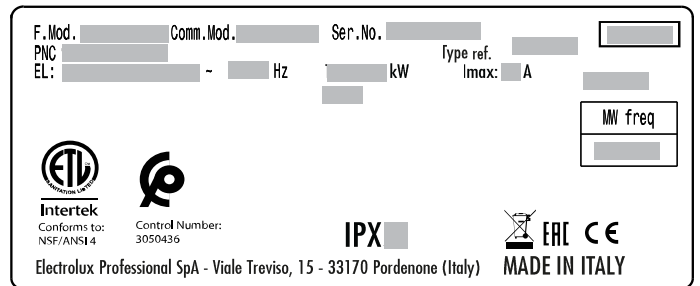
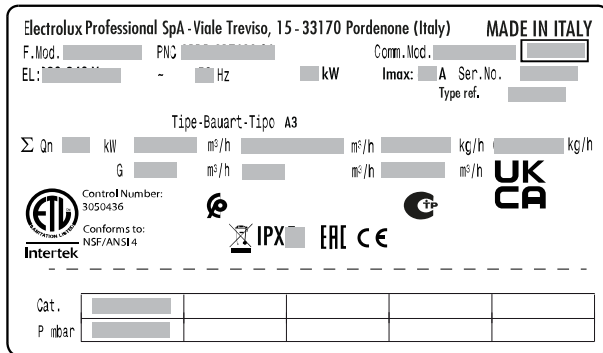
IMPORTANT

When installing the appliance, make sure the electrical connection is carried out in compliance with that specified on the data plate.

B.2 Appliance and manufacturer's identification data

The data plate gives the product identification and technical data.

An example of the marking or data plate on the appliance is given below:



The meaning of the various information given on it is listed below:

F.Mod.	factory description of product
Comm.Mod.	commercial description
PNC	production number code
Ser.No.	serial number
Type ref.	certification group of the appliance
V	power supply voltage
Hz	power supply frequency
kW	power input
A	absorbed current
Tipe-Bauart-Tipo	construction type (fume exhaust system)
Σ Qn	total gas power
m ³ /h	gas consumption
kg/h	
P mbar	gas pressure
Cat.	gas category
CE	CE marking



C GENERAL INFORMATION

C.1 Introduction

This manual contains information relevant to various appliances. The product images in this guide are only an example.

The drawings and diagrams given in the manual are not in scale. They supplement the written information with an outline, but are not intended to be a detailed representation of the appliance supplied.

The numerical values given on the appliance installation diagrams refer to measurements in millimeters and/or inches.

C.2 Testing and inspection

Our appliances have been designed and optimized, with laboratory testing, in order to obtain high performance and efficiency.



CAUTION

For Energy Star-listed 20 grids ovens models performances are obtained with the standard-supplied trolley, which is available also as additional accessory.

Passing of the tests (visual inspection - electrical test - functional test) is guaranteed and certified by the specific enclosures.

C.3 Copyright

This manual is intended solely for consultation by the operator and can only be given to third parties with the permission of Electrolux Professional.

C.4 Keeping the manual

The manual must be carefully kept for the entire life of the appliance, until scrapping. The manual must stay with the appliance in case of transfer, sale, hire, granting of use or leasing.

C.5 Recipients of the manual

This manual is intended for:

- the carrier and handling personnel;
- installation and commissioning personnel;
- specialised personnel (see service manual).

C.6 Definitions

Listed below are the definitions of the main terms used in the manual. It is advisable to read them carefully before use.

Operator	appliance installation, adjustment, use, maintenance, cleaning, repair and transport personnel.
Manufacturer	Electrolux Professional or any other service centre authorised by Electrolux Professional.
Operator for normal appliance use	an operator who has been informed and trained regarding the tasks and hazards involved in normal appliance use.
Customer Care service or specialised personnel	an operator instructed/trained by the Manufacturer and who, based on his professional and specific training, experience and knowledge of the accident-prevention regulations, is able to appraise the operations to be carried out on the appliance and recognise and prevent any risks. His professionalism covers the mechanical, electrotechnical and electronics fields etc.

Danger	source of possible injury or harm to health.
Hazardous situation	any situation where an operator is exposed to one or more hazards.
Risk	a combination of probabilities and risks of injury or harm to health in a hazardous situation.
Protection devices	safety measures consisting of the use of specific technical means (guards and safety devices) for protecting operators against risks.
Guard	an element of a appliance used in a specific way to provide protection by means of a physical barrier.
Safety device	a device (other than a guard) that eliminates or reduces the risk; it can be used alone or in combination with a guard.
Customer	the person who purchased the appliance and/or who manages and uses it (e. g. company, entrepreneur, firm).
Electrocution	an accidental discharge of electric current on a human body.

C.7 Responsibility

The Manufacturer declines any liability for damage and malfunctioning caused by:

- non-compliance with the instructions contained in this manual;
- repairs not carried out in a workmanlike fashion, and replacements with parts different from those specified in the spare parts catalogue (the fitting and use of non-original spare parts and accessories can negatively affect appliance operation and invalidates the original manufacturer warranty);
- operations carried out by non-specialised personnel;
- unauthorized modifications or operations;
- missing, lack or inadequate maintenance;
- improper appliance use;
- unforeseeable extraordinary events;
- use of the appliance by uninformed and / or untrained personnel;
- non-application of the current provisions in the country of use, concerning safety, hygiene and health in the workplace.

The Manufacturer declines any liability for:

- damage caused by arbitrary modifications and conversions carried out by the user or the Customer;
- inaccuracies contained in the manual, if due to printing or translation errors.

The employer, workplace manager or service technician are responsible for identifying and choosing adequate and suitable personal protection equipment to be worn by operators, in compliance with regulations in force in the country of use.

Any supplements to the installation, use and maintenance manual the Customer receives from the Manufacturer will form an integral part of the manual and therefore must be kept together with it.

C.8 Customer packaging checks

- The forwarder is responsible for the goods during transport and delivery.
- Make a complaint to the forwarder in case of visible or hidden damage.
- Specify any damage or shortages on the dispatch note.

- The driver must sign the dispatch note: the forwarder can reject the claim if the dispatch note is not signed (the forwarder can provide the necessary form).
- For hidden damage or shortages becoming apparent only after unpacking, request the forwarder for inspection of the goods within and no later than 15 days after delivery.

After packaging checks

1. Remove the packaging.
Take care when unpacking and handling of the appliance to not cause any shocks on itself.
2. Keep all the documentation contained in the packaging.

C.9 Storage

The appliance and/or its parts must be stored and protected from damp, in a non-aggressive place, free of vibrations and with room temperatures between – 10 °C [14 °F and 50 °C [122 °F].

The place where the appliance is stored must:

- can take the appliance load,
- have a flat support surface to avoid deforming the appliance or damage to the support feet.

D TECHNICAL DATA

D.1 ELECTRICAL models data

No. of grids		MODELS											
		6 GN 1/1		6 GN 2/1		10 GN 1/1		10 GN 2/1		20 GN 1/1		20 GN 2/1	
Power supply voltage	V	380–415	220–240	380–415	220–240	380–415	220–240	380–415	220–240	380–415	220–240	380–415	220–240
Phases	No.	3N~	3~	3N~	3~	3N~	3~	3N~	3~	3N~	3~	3N~	3~
Maximum rated current	A	16,4	28,4	31,9	55,2	28,3	48,9	55,9	96,6	56,3	97,3	97,8	169,1
Frequency	Hz	50–60		50–60		50–60		50–60		50–60		50–60	
Electrical power input (absorbed)	kW	10.1 – 11.8		19 – 22.9		17.2 – 20.3		33.8 – 40.1		34.1 – 40.4		59.2 – 70.2	
Fan motor power rating	kW	0.56		0.94		0.56		0.94		1.1		1.9	
Steam unit power rating	kW	9		18		18		36		36		54	
Convection unit power rating	kW	10		20		18		34		36		63	

ELECTRICAL models – Specific data for Australia

No. of grids		MODELS											
		6 GN 1/1		6 GN 2/1		10 GN 1/1		10 GN 2/1		20 GN 1/1		20 GN 2/1	
Power supply voltage	V	400–430		400–430		400–430		400–430		400–430		400–430	
Phases	No.	3N~		3N~		3N~		3N~		3N~		3N~	
Maximum rated current	A	14,9		28,8		25,5		50,3		50,7		88,0	
Frequency	Hz	50–60		50–60		50–60		50–60		50–60		50–60	
Electrical power input (absorbed)	kW	9.7 – 11.1		18.7 – 21.4		16.5 – 19.0		32.5 – 37.4		32.8 – 37.7		56.9 – 65.4	

ELECTRICAL models – Specific data for Japan

No. of grids		MODELS							
		6 GN 1/1		10 GN 1/1		20 GN 1/1		20 GN 2/1	
Power supply voltage	V	200		200		200		200	
Phases	No.	3~		3~		3~		3~	
Maximum rated current	A	31.1		51.7		101		174	
Frequency	Hz	50 – 60		50 – 60		50 – 60		50 – 60	
Electrical power input	kW	10.3		17.7		34.9		60.6	
Fan motor power rating	kW	0.45		0.45		0.9		1.5	
Steam unit power rating	kW	8.30		16.6		33.3		49.9	
Convection unit power rating	kW	9.25		16.6		33.3		58.3	

D.2 ELECTRICAL and GAS models data

No. of grids		MODELS											
		6 Grids 1/1		6 Grids 2/1		10 Grids 1/1		10 Grids 2/1		20 Grids 1/1		20 Grids 2/1	
Maximum oven load	Kg	30		60		50		100		100		200	
Maximum pan/tray load	Kg	15		30		15		30		15		30	
Weight ELECTRIC models	Kg	125,5		148,5		149,5		187		154		187	
Weight GAS Models ¹	Kg	140,5		163,5		157,5		201		162		201	
Water pressure	kPa	100 – 600		100 – 600		100 – 600		100 – 600		100 – 600		100 – 600	

1. Models with boiler and triple glass door

D.3 GAS models data

No. of grids		MODELS											
		6 GN 1/1		6 GN 2/1		10 GN 1/1		10 GN 2/1		20 GN 1/1		20 GN 2/1	
Power supply voltage	V	220–240	220–230	220–240	220–230	220–240	220–230	220–240	220–230	220–240	220–230	220–240	220–230
Frequency	Hz	50	60	50	60	50	60	50	60	50	60	50	60
Electrical power input (absorbed)	kW	1,1		1,5		1,1		1,5		1,8		2,5	
Maximum rated current	A	4.8		6.5		4.8		6.5		7.8		11.3	
Nominal heat input ¹	kW	19		32		31		47		54		100	
Boiler unit nominal heat input	kW	13		16		21		25		25		60	
Boiler unit reduced heat input	kW	7		8		10		12		12		30	
Convector unit nominal heat input	kW	12		24		21		35		42		70	
Convector unit reduced heat input	kW	7		10		10		20		20		40	
Connection ISO 7/1	Ø	1/2 " M		1/2 " M		1/2 " M		1/2 " M		1 " M		1 " M	
Type of construction		A3		A3		A3		A3		A3		A3	

1. Values referred at 15 °C, 1013 mbar.

Net heating value
G30: 45.65 MJoule/kg
G31 (LPG): 46.34 MJoule/kg
G20: 34.02 MJoule/m ³
G25: 29.25 MJoule/m ³

Gas models – Specific data for Australia

No. of grids		Models											
		6 GN 1/1		6 GN 2/1		10 GN 1/1		10 GN 2/1		20 GN 1/1		20 GN 2/1	
Power supply voltage	V	230–240		230–240		230–240		230–240		230–240		230–240	
Frequency	Hz	50		50		50		50		50		50	
Gas Types	Unit	Natural	Propane	Natural	Propane	Natural	Propane	Natural	Propane	Natural	Propane	Natural	Propane
Nominal gas consumption	M-J/h	73.8	73.8	125.3	125.3	121	121	183.2	183.2	210.2	210.2	391	391
Boiler max gas consumption	M-J/h	50.4	50.4	62.3	62.3	82.1	82.1	97.2	97.2	97.2	97.2	238.7	238.7
Convector max gas consumption	M-J/h	46.8	46.8	94.7	94.7	82.1	82.1	136.8	136.8	164.2	164.2	273.6	273.6

Net heating value
Propane: 95.8 MJ/m ³
Natural Gas: 37.8 MJ/m ³

Gas models – Specific data for Japan

No. of grids		MODELS							
		6 GN 1/1		10 GN 1/1		20 GN 1/1		20 GN 2/1	
Power supply voltage	V	100		100		100		100	
Frequency	Hz	50	60	50	60	50	60	50	60
Electrical power input	kW	1,1		1,1		1,8		2,5	
Maximum rated current	A	11		11		18		25	
Nominal heat input	kW	19		31		54		100	
Boiler unit nominal heat input	kW	13		21		25		60	
Convection unit nominal heat input	kW	12		21		42		70	

PRESSURE

Inlet supply pressure		Models					
		6 GN 1/1	6 GN 2/1	10 GN 1/1	10 GN 2/1	20 GN 1/1	20 GN 2/1
Natural gas	kPa	1,00	1,00	1,00	1,00	1,00	1,00
Propane	kPa	2,75	2,75	2,75	2,75	2,75	2,75

Category Gas: II2H3P – PRESSURE (ALL MODELS)

Data	Type of gas	Unit	Models					
			6 GN 1/1 BOILER and BOIL- ERLESS	6 GN 2/1 BOILER and BOIL- ERLESS	10 GN 1/1 BOILER and BOIL- ERLESS	10 GN 2/1 BOILER and BOIL- ERLESS	20 GN 1/1 BOILER and BOIL- ERLESS	20 GN 2/1 BOILER and BOIL- ERLESS
pressure	(G20) natural gas supply	mbar	20	20	20	20	20	20
	(G25/G25.3) natural gas supply	mbar	-	-	-	-	-	-
	L.P.G. (G31) supply	mbar	37	37	37	37	37	37

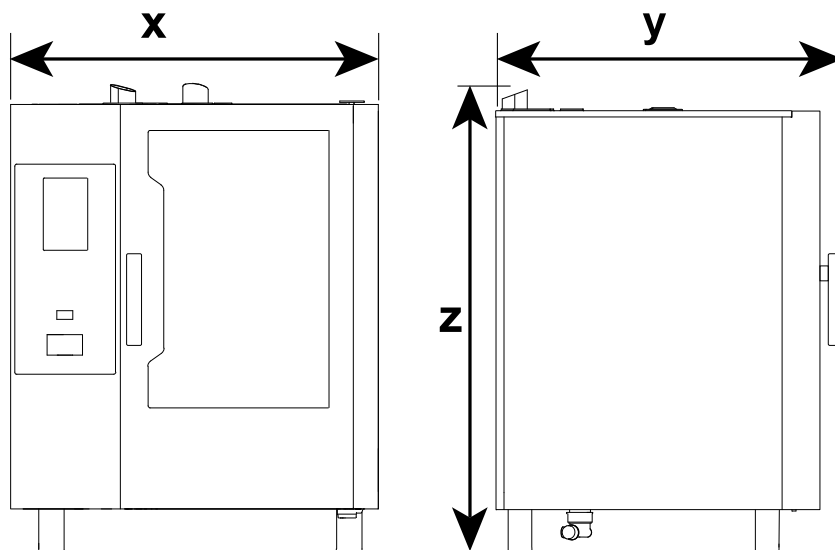
Category Gas: II2H3P – CONSUMPTION MODELS with BOILER

Data	Type of gas	Unit	Models					
			6 GN 1/1 BOILER	6 GN 2/1 BOILER	10 GN 1/1 BOILER	10 GN 2/1 BOILER	20 GN 1/1 BOILER	20 GN 2/1 BOILER
consumption	G30	(kg/h)	1.50	2.52	2.44	3.70	4.26	7.88
	L.P.G. (G31)	(kg/h)	1.48	2.49	2.41	3.65	4.19	7.76
	G20 natural gas	m ³ /h	2.01	3.38	3.28	4.97	5.71	10.57
	G25 natural gas	m ³ /h	2.34	3.94	3.81	5.78	6.64	12.30

Category Gas: II2H3P – CONSUMPTION BOILERLESS MODELS

Data	Type of gas	Unit	Models					
			6 GN 1/1 BOILER- LESS	6 GN 2/1 BOILER- LESS	10 GN 1/1 BOILER- LESS	10 GN 2/1 BOILER- LESS	20 GN 1/1 BOILER- LESS	20 GN 2/1 BOILER- LESS
consumption	G30	(kg/h)	0.95	1.89	1.66	2.76	3.31	5.52
	L.P.G. (G31)	(kg/h)	0.93	1.86	1.63	2.72	3.26	5.44
	G20 natural gas	m ³ /h	1.27	2.54	2.22	3.70	4.44	7.40
	G25 natural gas	m ³ /h	1.48	2.95	2.58	4.30	5.17	8.61

D.4 Appliance dimensions



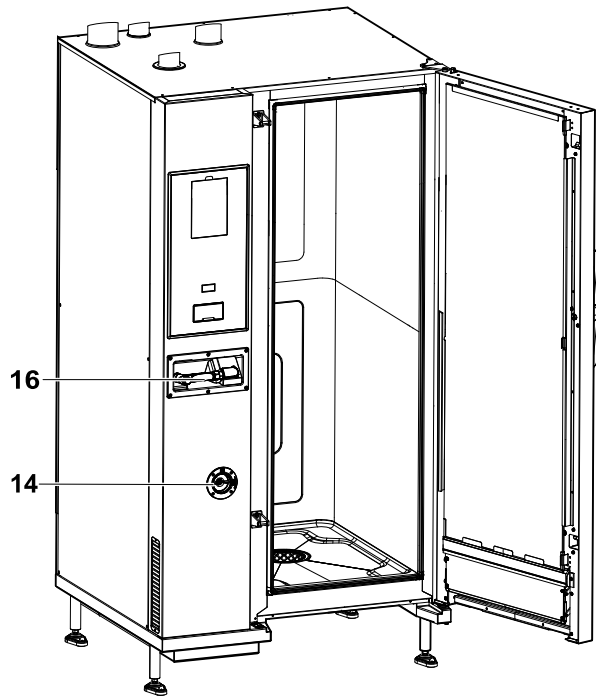
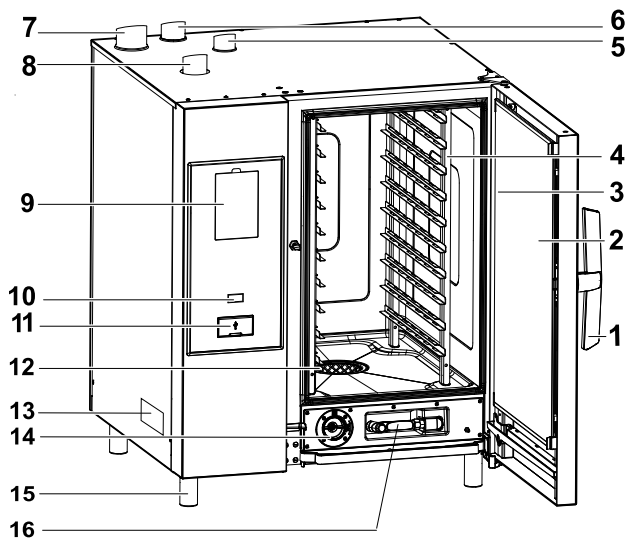
Models	Width		Depth		Height	
	x		y		z	
	mm	inches	mm	inches	mm	inches
6 grids 1/1	867	34" 9/64	850	33" 15/32	858	33" 25/32
6 grids 2/1	1090	42" 29/32	1046	41" 3/16	858	33" 25/32
10 grids 1/1	867	34" 9/64	850	33" 15/32	1108	43" 5/8
10 grids 2/1	1090	42" 29/32	1046	41" 3/16	1108	43" 5/8
20 grids 1/1	911	35" 55/64	925	36" 27/64	1855	73" 1/32
20 grids 2/1	1162	45" 3/4	1125	44" 27/64	1855	73" 1/32

E PRODUCT DESCRIPTION

E.1 Appliance overview

6 -10 GN model

20 GN model



1. Door handle (shape depending on the model)
2. Triple glass door
3. Led bar for lighting cavity
4. Grids support
5. Exhaust gas cavity heat exchanger (all gas models)
6. Steam discharge (electric and gas models)
7. Exhausting gas from steam generator (gas models with boiler)
8. Air inlets (electric and gas models)
9. Control panel – display
10. ON/OFF button
11. USB pendrive port
12. Cavity filter – housing for detergent tabs (cavity washing)
13. Data plate
14. Descaling/rinse agent drawer
15. Feet
16. Hand spray cleaning unit, if present in your model



NOTE!

The hand spray only works if the oven is switched on.

E.2 Trolley in 20GN models

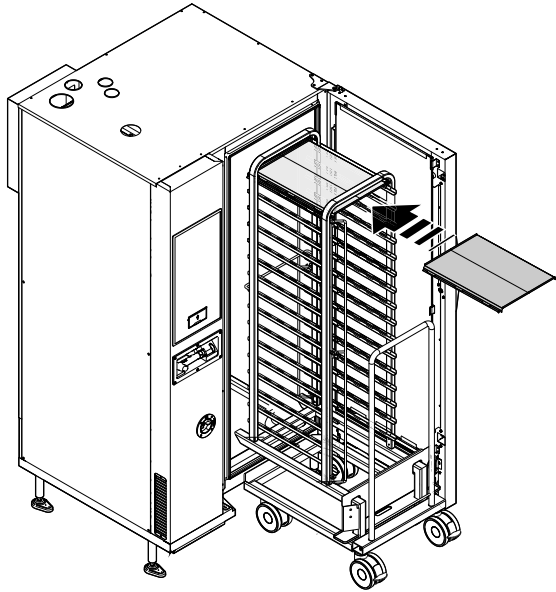


IMPORTANT

In all 20 Grids models run the cleaning cycles only with trolley inside the oven. It helps the sealing in closing the bottom openings between the cavity and the door.

Only in ovens 20 GN 2/1 Electric models

To obtain a better cooking performance during cooking cycle insert the accessory “panel deflector” over the first rack of the trolley (refer to the picture below - PNC accessory: 922445)



F INSTALLATION AND ASSEMBLY



WARNING

Refer to “*Personal protection equipment*”.

F.1 Introduction



WARNING

Refer to “*WARNING and Safety Information*”.

To ensure correct operation of the appliance and maintain safe conditions during use, carefully follow the instructions given in this chapter.

Check and, if necessary, level the appliance after positioning. Incorrect levelling can cause appliance malfunctioning.



CAUTION

Keep the ventilation openings in the appliance casing or in the installation structure free of any obstructions.

F.2 Installation in Australia



IMPORTANT

This appliance shall be installed only by authorised persons and in accordance with the manufacturer’s installation instructions, local gas fitting regulations, municipal building codes, electrical wiring regulations, local water supply regulations, AS5601-gas installation, health authorities and any other statutory regulations.

F.3 Customer's responsibilities

The tasks and works required of the Customer are:

- check the floor planarity on which the appliance is placed;
- arrange an earthed power socket of suitable capacity for the input specified on the data plate;
- prearrange a high-sensitivity manual-reset magneto-thermal circuit-breaker;

- prearrange a device lockable in the open position for the connection to the power supply.
- install a rapid gas shutoff valve ahead of each individual appliance (depending on the model). Install the valve in an easily accessed place.



NOTE!

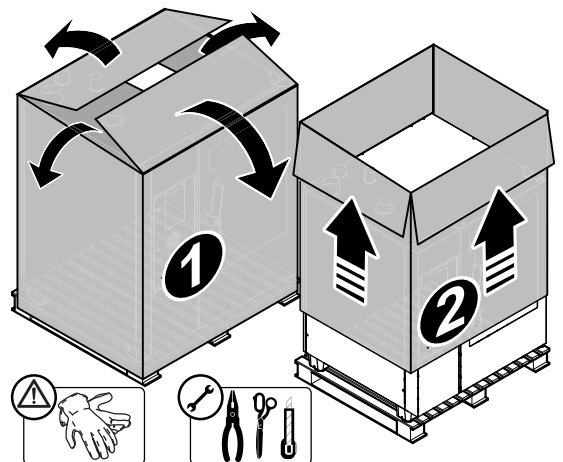
For information regarding the electrical connection, refer to “*A.8 Electrical connection*”.

F.4 Installation

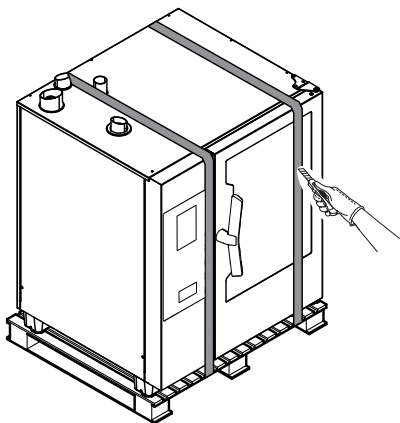
F.4.1 Unpacking

Table top models (6 – 10 GN)

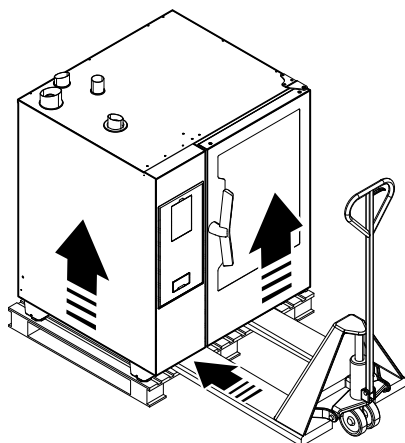
1. Remove the copper staples and the cardboard from the appliance;



2. Cut the plastic straps fixing the appliance to the pallet;

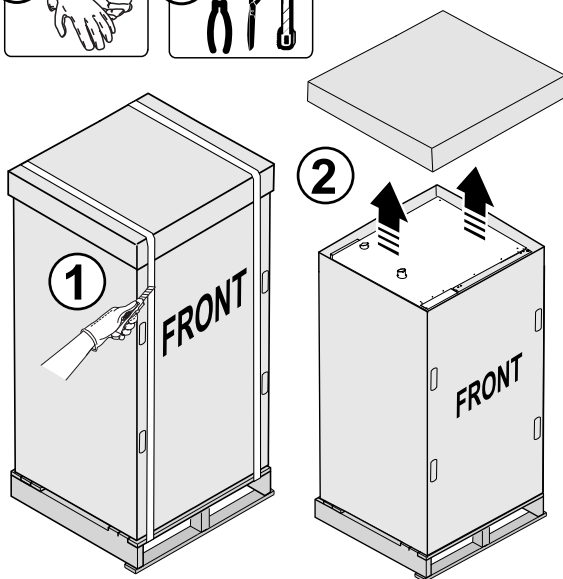
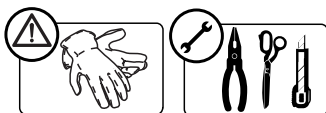


3. Lift the appliance with a lift truck, remove the pallet and position the appliance in the place of use;

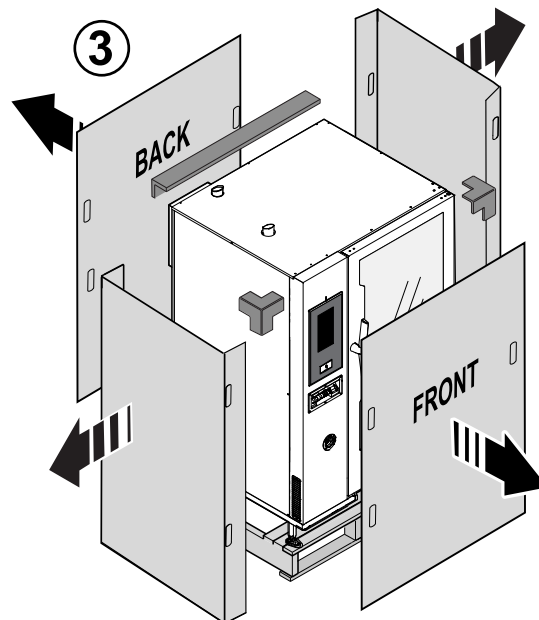


Vertical models (20 GN)

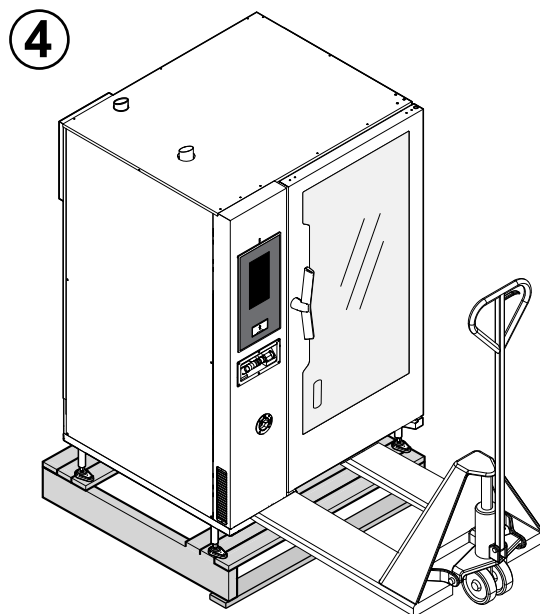
1. Cut the plastic straps fixing the cardboard enveloping the appliance;
2. Remove the cover.



3. Remove the upper cardboard corners, the protection for the handle and the 4 cardboard wrapping the appliance;



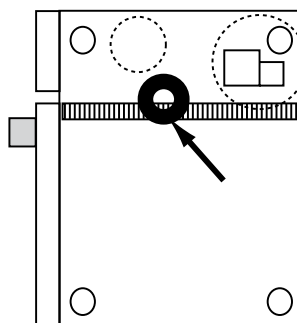
4. With a lift truck, remove the pallet and position the appliance in the place of use;



! **IMPORTANT**
Make sure not to damage the drain when removing the appliance from the pallet.

F.4.1.1 Transport of the appliance

- Keep the device's barycenter in mind to prevent it from tipping over.



- If you use the lift truck, keep also in mind the required spaces and the entrance dimensions.




The minimum entrance dimensions are:

Required entrance dimensions	Appliance models						
	6 GN 1/1	6 GN 2/1	10 GN 1/1	10 GN 2/1	20 GN 1/1	20 GN 2/1	
X	mm	850	1046	850	1046	925	1125
	inch	33" 15/32	41" 3/16	33" 15/32	41" 3/16	36" 27/64	44" 27/64

F.4.2 Disposal of packing

The packing must be disposed of in compliance with the current regulations in the country where the appliance is used. All the packing materials are environmentally friendly.

They can be safely kept, recycled, or burned in an appropriate waste incineration plant. Recyclable plastic parts are marked as follows:

 PE	Polyethylene <ul style="list-style-type: none"> • Outer wrapping • Instructions bag
 PP	Polypropylene <ul style="list-style-type: none"> • Straps
 PS	Polystyrene foam <ul style="list-style-type: none"> • Corner protectors

The parts in wood and cardboard can be disposed of, respecting the current regulations in the country where the appliance is used.

F.4.3 Positioning

For the overall space required and connection dimensions, refer to the installation diagrams;



NOTE!

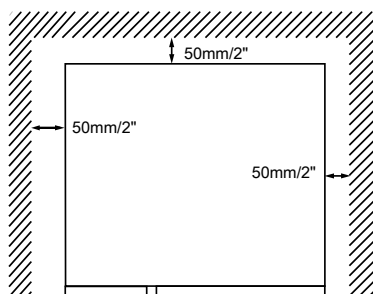
The appliance is not suitable for built-in installation.

When positioning the appliance keep in mind the following minimum distances:

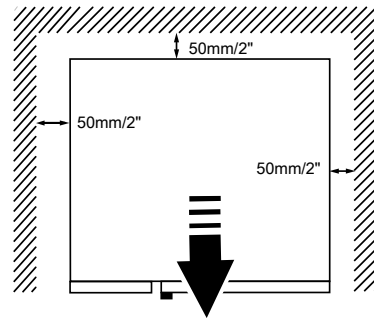
Minimum distances for positioning

normal working	right / left / rear distance 50 mm
work close to heat source	left side distance 350 mm to 500 mm
service conditions	left side distance 500 mm

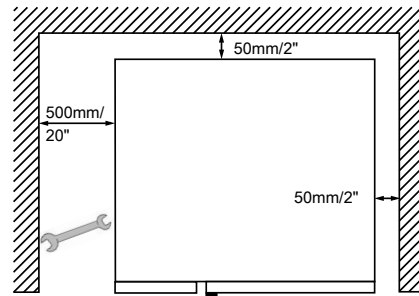
- All appliance sides must remain at 50 mm from any surface.



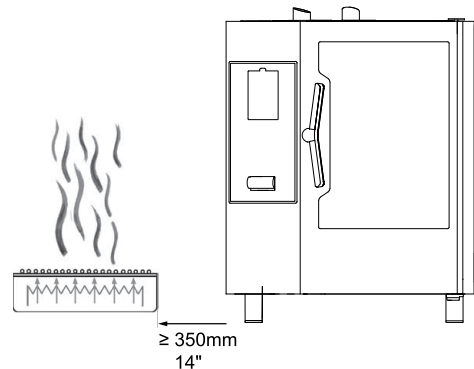
If it's necessary to carry out maintenance works on the appliance, slide it forwards.



In all models but especially in 20 grids models when possible leave a space of at least 500 mm between the left side of the appliance and the other surfaces to enable maintenance operations.

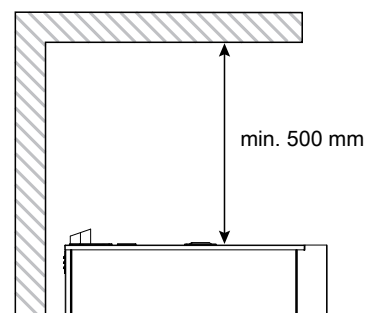


- The left gap must be a minimum of 350 mm if heat sources are acting on the left side of the appliance.



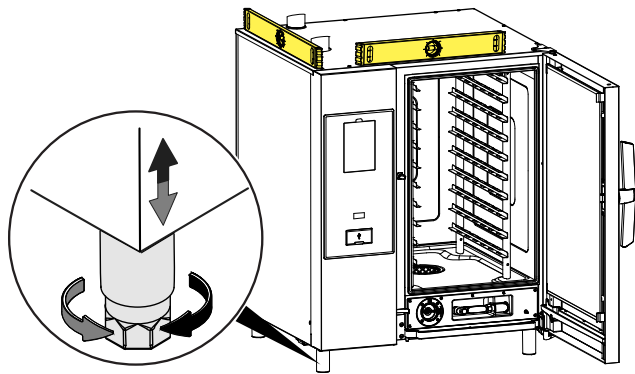
If it is not possible to keep the left side of the appliance a sufficient distance away from heat sources, a heat shield can reduce thermal loads (see accessories catalogue).

- If steam from the ventilation pipe cannot be directed into an exhaust hood or a ventilating ceiling, there must be at least 500 mm clearance space above the device.

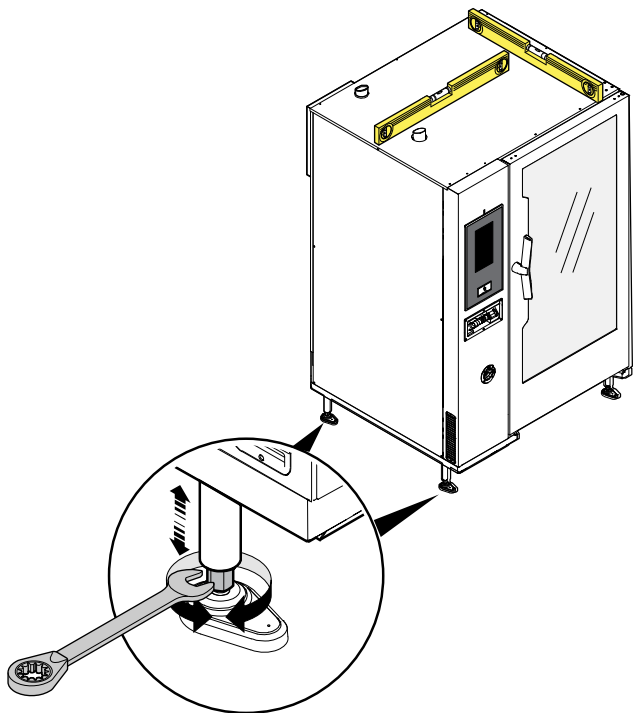


- Position the appliance on a flat surface. If necessary, adjust the height of the worktop by means of the adjustable feet (if available).

6 – 10 GN models



20 GN models



CAUTION

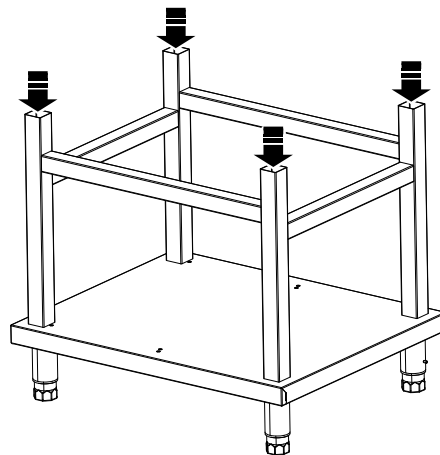
The appliance must be level.

F.4.4 Tabletop models

For safety reasons, tabletop models should only be placed on top a manufacturer-original oven stand or cupboard structure. Choose the appropriate structure in the accessories catalogue according to your model.

Mounting onto an oven stand (size GN 1/1 – 2/1)

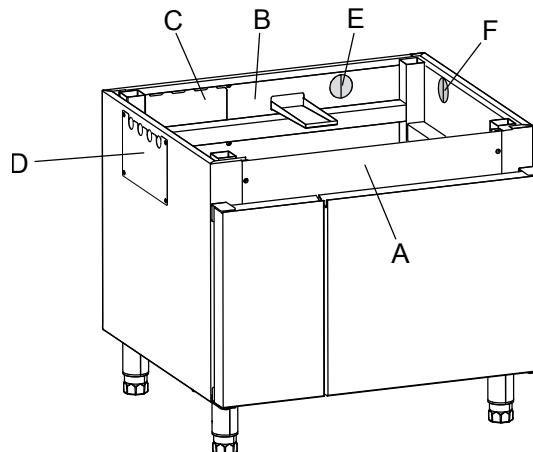
1. Replace the oven feet with the special feet supplied with the oven stand accessory.



2. Using appropriate lifting equipment, position the appliance on the oven stand by inserting the locating feet into the tubular uprights.

Mounting onto a cupboard (sizes GN 1/1 – 2/1)

1. Disassemble the rear panel "B" and control panel "A" (if expected);



2. Replace the oven feet with the special feet supplied with the cupboard accessory;
3. Using appropriate lifting equipment, place the appliance onto the cupboard by inserting the locating feet into the tubular uprights;
4. Refit the control panel "A" and the rear panel "B".
5. Proceed with the oven connections.



IMPORTANT

The connection pipes of the oven can be run either on the back either on the side.

- remove and replace the panels "C" and "D" between them;
- remove the pre-cut plates "E" and "F" to let the drain pipe pass through the hole on the back or at the side;

F.4.5 Installation on castors

For installations where castors (available as accessory) have been mounted in place of original feet, **adequate means must be provided to limit the movement of the appliance** without depending on or transmitting stress to the electrical supply cord and to the gas hose, e.g. make use of a chain.

The restraining means are to be attached to the wall behind the oven; the wall material shall be suitable to resist to accidental and sudden strains.

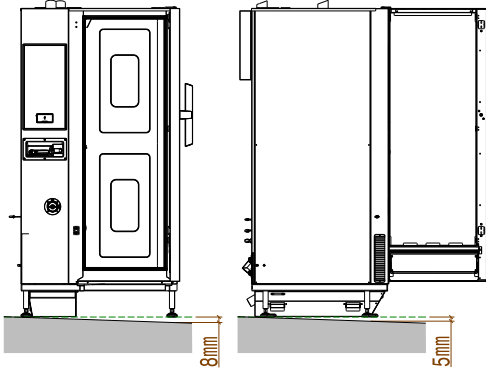
F.4.6 20GN models adjustments

It is suggested that specific precautions be taken when installing the 20GN oven models.

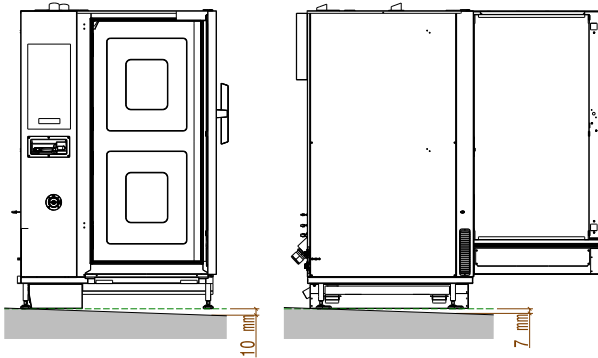
Verify the floor slope

1. If the floor slope is above the limit (see the illustration below) is it necessary to install the accessory "Leveling Ramp" [PNC 922715 for 20GN 1/1 and 922716 for 20GN 2/1].
Choose the appropriate item in the accessories catalogue according to your model.

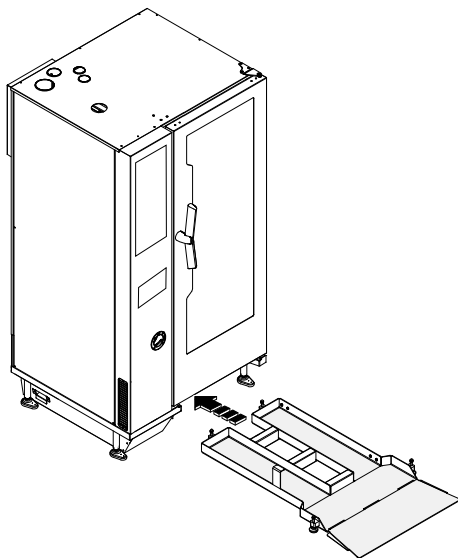
20 GN 1/1



20 GN 2/1

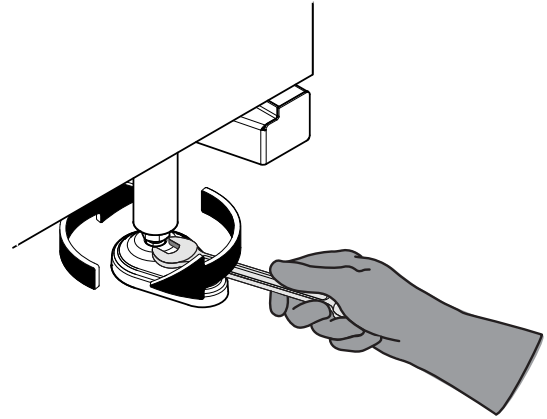


2. In case the floor slope is above the limits, "Leveling ramp" is mandatory.

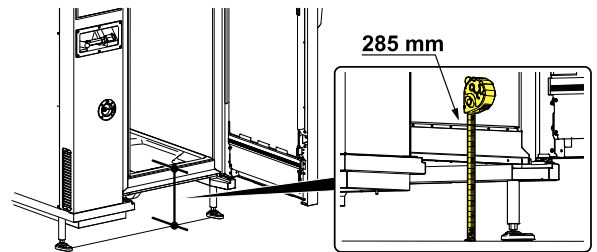


Check distance from oven cavity to the floor

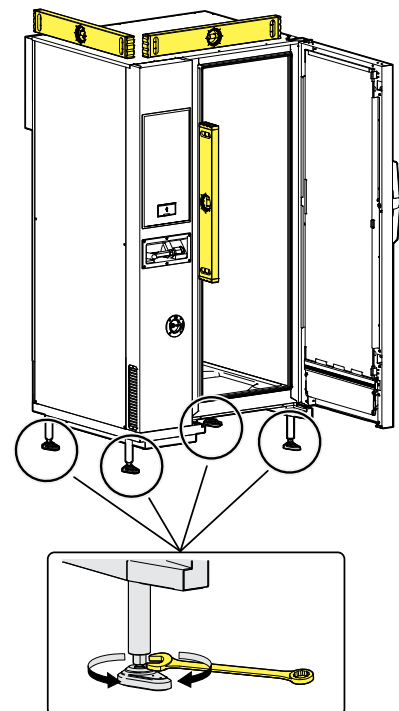
3. If the floor slope is between the limits, adjust the **front** legs to have the correct height from the floor.



4. Measure it from the cavity to the floor. The measurement should be taken in the centre, then check that left side and right side must be within the tolerance of ± 2.5 mm. See the illustration below.
The correct distance has to be $285 \text{ mm} \pm 2,5 \text{ mm}$



5. After set the front legs of the oven to 285 mm it is necessary to level the oven by correctly adjusting the **rear** legs.



F.4.7 Stacking installations

The following tables indicate the possible appliance combinations for stacking installations.

OVENS 10 GN 1/1 – 10 GN 2/1

Position	Appliance / base type			
ABOVE	OVEN 10 GN 1/1	Maximum total height mm [inches]	OVEN 10 GN 2/1	Maximum total height mm [inches]
BELOW	OPEN SUPPORT	1778 [70"]	OPEN SUPPORT	1778 [70"]
	or NEUTRAL CUPBOARD	1778 [70"]	or NEUTRAL CUPBOARD	1778 [70"]
	or HOT CUPBOARD	1778 [70"]	or HOT CUPBOARD	1778 [70"]
	or BLAST CHILLER 30kg			

OVENS 6 GN 1/1 – 6 GN 2/1

Position	Appliance / base type			
ABOVE	OVEN 6 GN 1/1	Maximum total height mm [inches]	OVEN 6 GN 2/1	Maximum total height [inches]
BELOW	OVEN 6 GN 1/1	electrical models 1736 [68" 11/32] ¹ gas models 1766 [69" 17/32] ¹	OVEN 6 GN 2/1	electrical models 1736 [68" 11/32] ¹ gas models 1766 [69" 17/32] ¹
	or	electrical models 1976 [77" 51/64] ² gas models 2006 [78" 31/32] ²	or	electrical models 1976 [77" 51/64] ² gas models 2006 [78" 31/32] ²
	OVEN 10 GN 1/1	electrical models 1986 [78" 3/16] gas models 2016 [79" 3/8]	OVEN 10 GN 2/1	electrical models 1986 [78" 3/16] gas models 2016 [79" 3/8]
	or	1528 [60" 5/32]	or	1528 [60" 5/32]
	NEUTRAL CUPBOARD ²	1528 [60" 5/32]	or	1528 [60" 5/32]
	or	1528 [60" 5/32]	or	1528 [60" 5/32]
HOT CUPBOARD ²	1528 [60" 5/32]	or	1528 [60" 5/32]	
or	1882 [74" 3/32]			
BLAST CHILLER 30kg ²				

1. Without riser
2. With riser



NOTE!
Feet are intended as adjusted at their nominal height.

F.4.8 Fixing oven systems

The installations indicated in the tables above **for safety reasons MUST be fixed to the wall or to the floor** by means of the appropriate accessories included in the appliance or to be ordered, according to your model (kit "Wall brackets" or kit "Flanged feet", see accessory list).

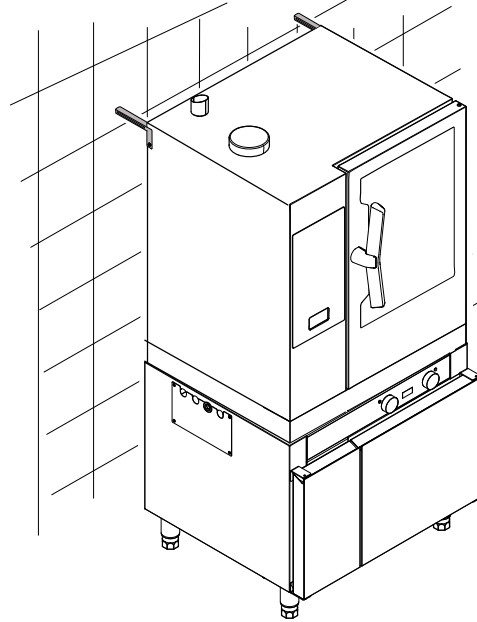


IMPORTANT

The same safety provision shall be applied to floor standing ovens, to ship and offshore oil plant installations and to all installations where the extraction or recirculation hood, available as accessory, is staked on the oven.

6 - 10 GN models : Wall fixing with wall brackets

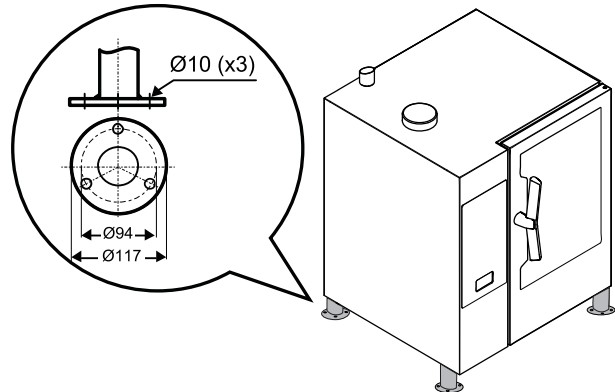
- Fix the stacked ovens to the wall by means of the 2 brackets. See the figure below.



6 - 10 GN models : Floor fixing with flanged feet

If the stacked ovens cannot be fixed to the wall it is necessary to fix them to the floor. Use the "Flanged feet" kit with 3 holes base for fixing to the floor.

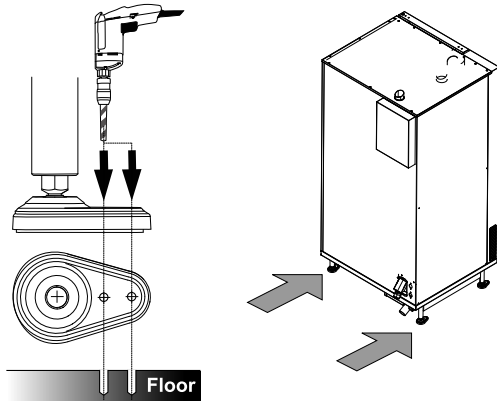
- undo the screws to remove the existing feet of the bottom oven;
- replace them with those of the kit;
- screw the 4 screws (M5x14) in each foot to fix the stacked ovens to the floor.



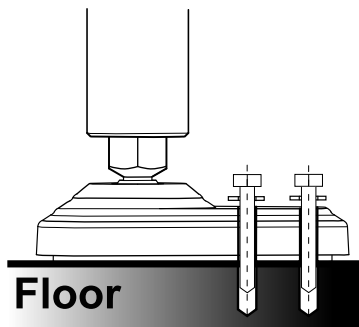
20 GN models : Floor fixing

For safety reasons the floor standing models MUST be fixed to the floor by the two rear feet.

- Drill 2 holes on the rear oven feet;



- Secure each foot to the floor by means of two appropriate screws that guarantee a minimal force of 0,3 kN.



$F_{min} = 0,3 \text{ kN}$

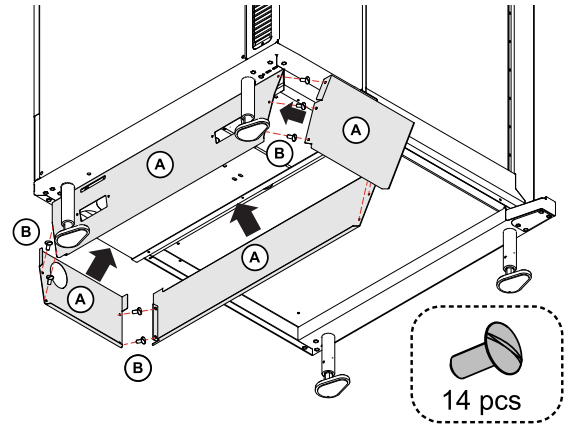
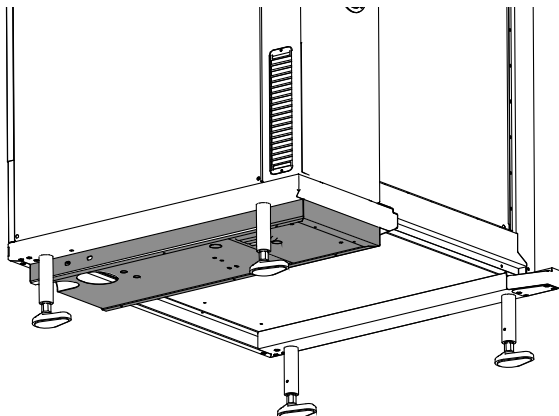
F.4.9 Hygienic requirements

For hygiene reasons and in according to the Standard NSF 4 a cover must be installed all around the AIR BREAK box. This cover is intended to be used on floor standing ovens and is included in the stacking kit, available as accessory.

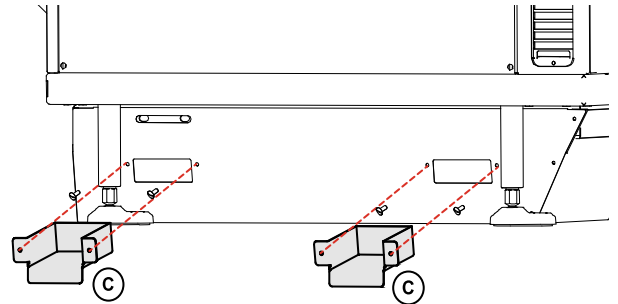
FLOOR STANDING OVENS

To maintain sanitary standards, the cover must ensure watertightness at the floor junction.

1. Ensure the floor surface is clean, smooth, and free from any irregularities.
2. The cover panels (A) already have a gasket along the lower edge. Assemble the panels as shown in the following pictures, around the recessed area on the oven bottom using the screws (B) provided with the cover.



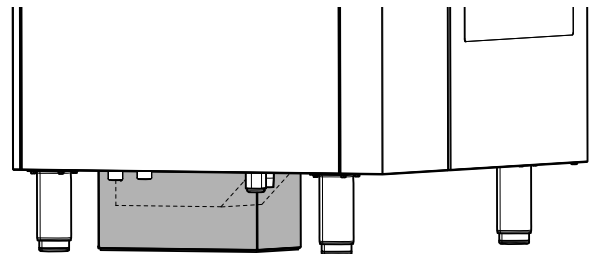
3. At the end, insert the gutters (C) into the suitable slots



Once the watertight assembly has been done in accordance with the above procedure, it will prevent liquid spillage on adjacent floor surface from passing under inaccessible portions of the appliance.

STACKED OVENS*

Refer to installation instructions provided with the stacking kit.



* = The use of the riser is alternative to the cover except for the installations 6 Grids on 10 Grids, where this cover is mandatory.

F.5 Water connection

F.5.1 Water inlets



NOTE!

Water connection must be carried out in compliance with the regulations and provisions in force with the country.



IMPORTANT

When connecting the appliance with the flexible hoses to the water system, use always new ones.

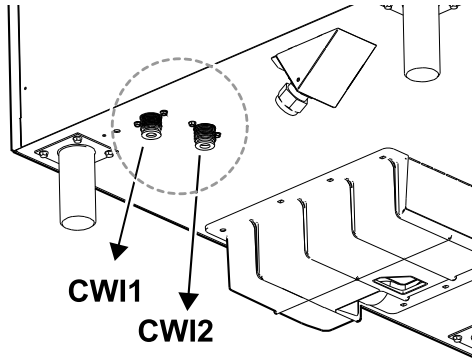
The oven has two separate water supply inlets:

1. "CW11" connection of cold water 3/4" for:
 - water for cleaning system;
 - quenching;
 - hand shower (when provided, depending on the model).
2. "CW12" connection of TREATED COLD WATER 3/4" for:
 - boiler filling (models with boiler)

- instant steam generator (boilerless models)

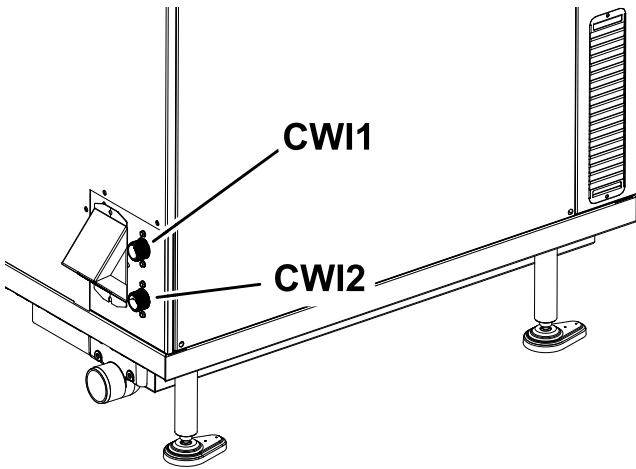
See in the following figures where the water inlets are located:

6 - 10 grids models



CWI1
CWI2

20 grids models



CWI1

CWI2

Requirements for water connection

- The water pressure upstream of the oven must be 100 – 600 kPa (1,0 – 6,0 bar / 14,5 – 87psi).
- The maximum water temperature in entrance is 30 °C.
- The feed pipes of both inlets must be provided with a mechanical filter and a shutoff valve.



IMPORTANT

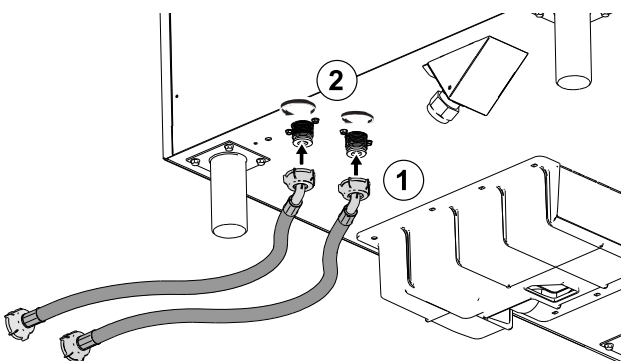
Before installing the filters run certain amount of water to clear the hose of any solid particles.

F.5.2 How to connect the oven to the water system

The oven is provided with two double check valves that must be fitted between the hoses and the water outlets.

1. Connect the water hoses to the water connections of the oven as shown in the figure.

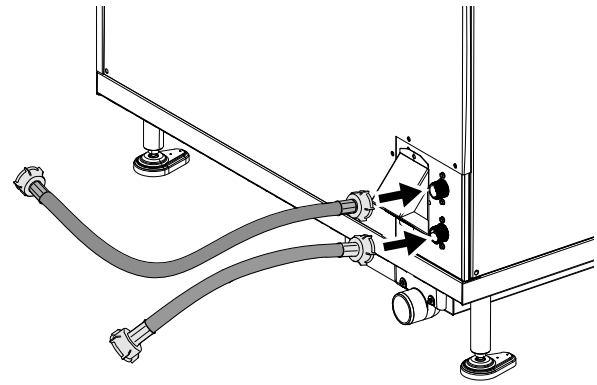
6 - 10 grids models



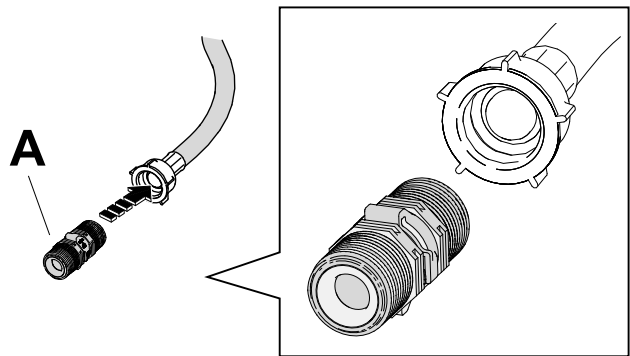
2

1

20 grids models

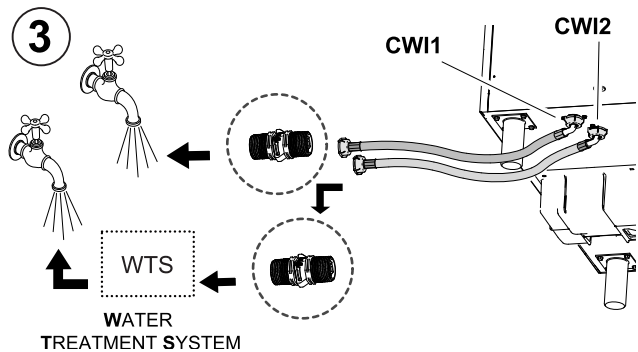


2. Insert the double check valves A – supplied with the appliance – into the other end of the water hoses. Make sure they are inserted in the correct position and direction.



3. Connect the double check valves A – inserted in the water hoses – to the water taps.

6 - 10 grids models



3

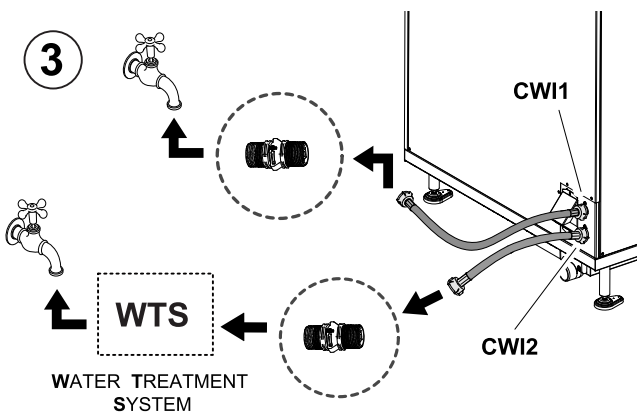
CWI1

CWI2

WTS

WATER TREATMENT SYSTEM

20 grids models



3

CWI1

CWI2

WTS

WATER TREATMENT SYSTEM

F.5.3 Specific water connection requirements

For UK:

A WRAS compliant double check valve or some other no less effective device providing backflow prevention protection to at least fluid category three shall be provided by the installer technician.

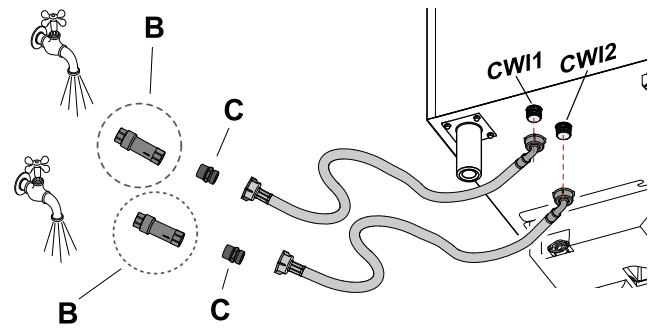
For Australia:

The appliance shall be installed in accordance with the PCA (Plumbing Code of Australia) requirements.

The appliance shall be installed in accordance with AS / NZS 3500.1 and AS/NZS 3500.2 standards.

The Watermark certified backflow prevention devices supplied with this appliance must be installed in order to protect each inlet water connection.

Install the device (detail "B") between the drinking water source and each water supply hose.



B backflow prevention device (supplied)
C nipple 3/4 " M - 3/4 " M (supplied)

F.5.4 Water characteristics for inlet "CWI2"

In **CWI2** inlet the appliance must be supplied with suitable drinking water also in case of water treatment system (in particular Ph 6,5 ÷ 8,5 and conductivity > 50 µS/cm).

To guarantee correct appliance operation, some water treatment systems may therefore have to be installed.

For that purpose, follow the indications given in the following charts according to your models:

Table A – Electric models with boiler (AISI 316L)

CONDUCTIVITY [µS/cm]	CHLORIDE [ppm]	TREATMENT	TREATMENT CHECK
> 50	< 85	NO	NO
> 50	> 85	OSMOTISATION	VERIFY CHLORIDE < 85, Ph 6,5 + 8,5 AND CONDUCTIVITY > 50 µS/cm
< 50	-	NOT SUITABLE WATER	

Table B – Gas models with boiler

CONDUCTIVITY [µS/cm]	CHLORIDE [ppm]	TREATMENT	TREATMENT CHECK
> 285	< 17	NO	NO
> 285	17 < ppm < 32	NANOFILTERS	TREATED WATER TO FALL INTO THE GREEN AREA OF THE GRAPH B
> 285	> 32	WTS ¹ + GRAPH B	
< 285	-	WTS ¹ + GRAPH B	
< 50	-	NOT SUITABLE WATER	

1. WTS = Water treatment system

Graph B

In case of treatment, check the treated water parameters falling into the green area; in no cases the values have to fall into the grey area)

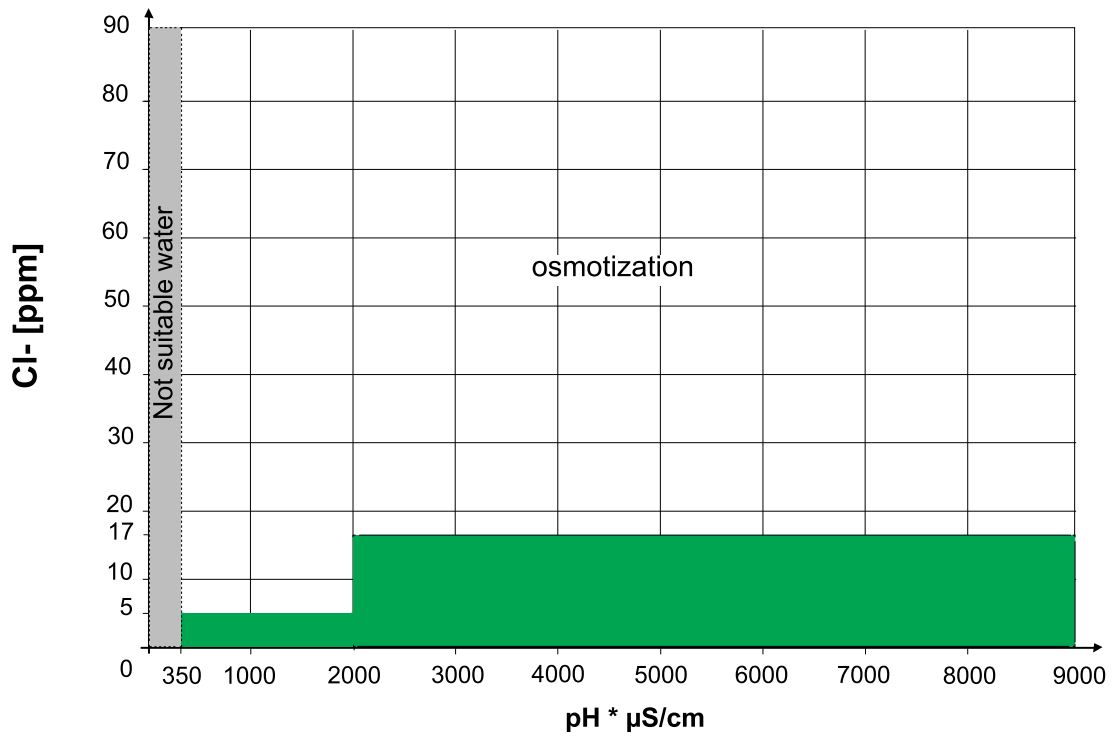
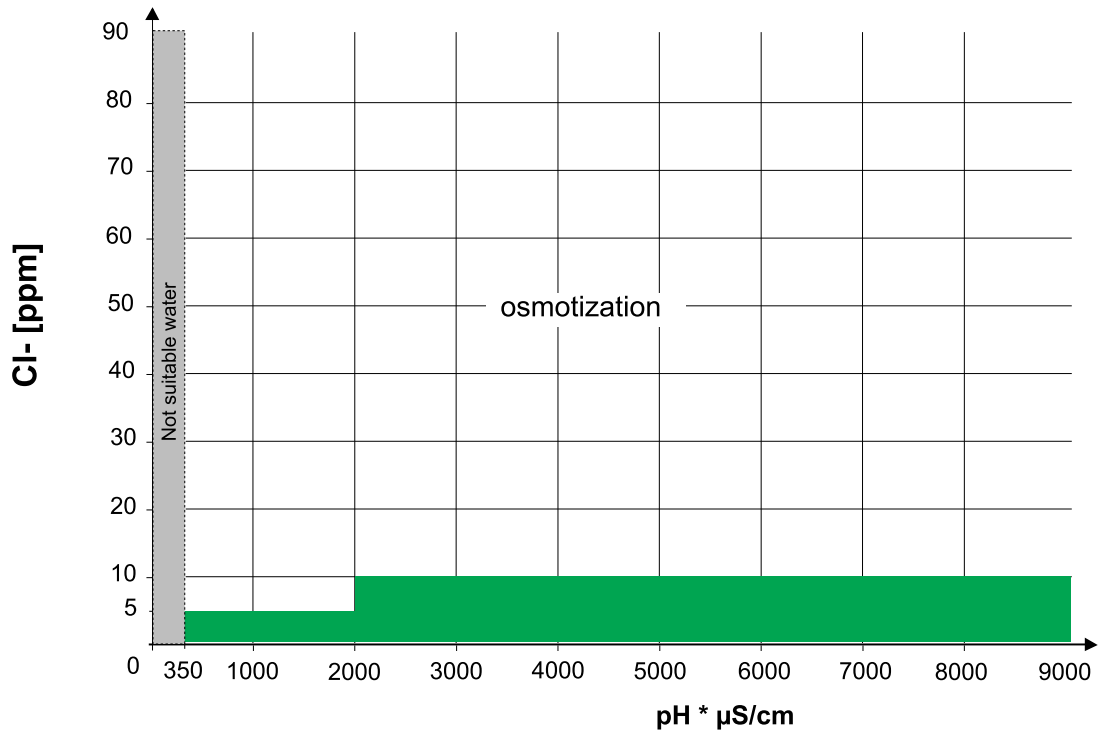


Table C – Gas and electric models without boiler

CONDUCTIVITY [μS/cm]	CHLORIDE [ppm]	HARDNESS [°f]	TREATMENT	TREATMENT CHECK
> 285	< 10	< 5	NO	NO
> 285	< 10	> 5	SOFTNER	AFTER SOFTENING, CHECK HARDNESS < 5 °f
> 285	10 < ppm < 20	-	NANOFILTERS	TREATED WATER TO FALL INTO THE GREEN AREA OF THE GRAPH C
> 285	> 20	-	WTS ¹ + GRAPH C	
< 285	-	-	WTS ¹ + GRAPH C	

Graph C

In case of treatment, check the treated water parameters falling into the green area; in no cases the values have to fall into the grey area



General advice

- Periodical maintenance of the water treatment devices avoids compromising appliance operation and prevents risk of corrosion.
- To prevent damaging the appliance, at every periodical regeneration of the water softener filter, do a filter wash cycle without introducing water into the oven.



IMPORTANT

The manufacturer declines any liability in case of incorrect maintenance.



CAUTION

Do not use dispensers of substances for preventing scale in the pipes (e.g. polyphosphate), they can compromise correct appliance operation.

F.5.5 Check supply pressure

The pressure upstream of the oven must be 100 – 600 kPa (1,0 – 6,0 bar / 14,5 – 87psi).

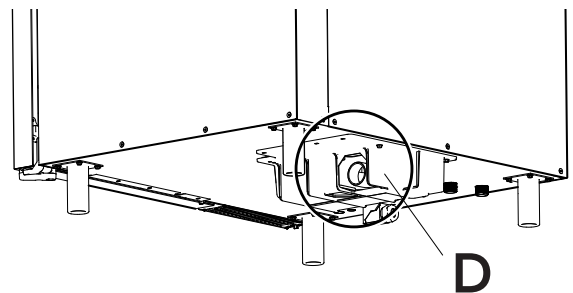


NOTE!

If the water pressure of the system supply is higher than 6 bar, it is recommend to install a water pressure regulator.

Measure the pressure in dynamic conditions, i.e. during the boiler filling and/or washing phase and at a temperature of 30 °C/86°F.

- The water flow rate for **CW11** is min 1 l/min – max 6 l/min.
- The water flow rate for **CW12** (treated water) is min 0,25 l/min – max 2,95 l/min for 6 -10 GN in the boiler models and min 0,25 l/min – max 5,75 l/min for 20 GN size in the boiler models.

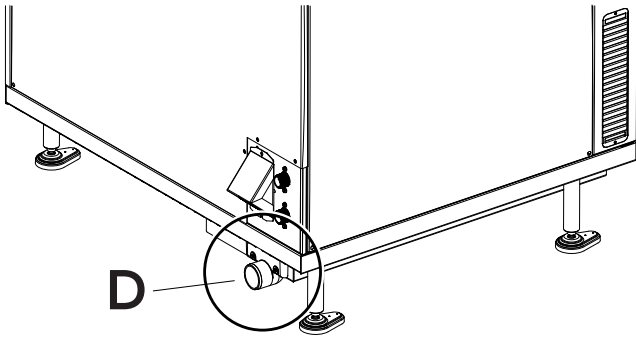


20 grids models

F.6 Water draining system

Water outlet drain

6 - 10 grids models



NOTE!

An air-break to drain conforms to EN61770 shall be installed before the discharge to the drainage system.

For UK:

The appliance must discharge via a backflow protection device which gives fluid category 5 protection.

For Australia:

The appliance shall be drained to a certified waste trap positioned at the drainage system connection point.



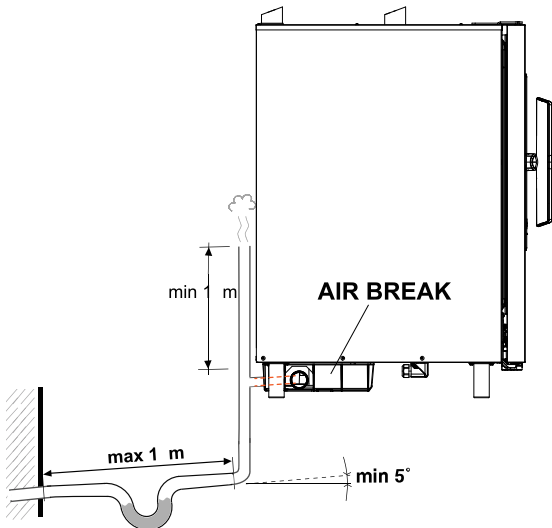
CAUTION

The connection of the appliance drain to the sewer shall be done in accordance with the current national and local regulations.

The oven has an AIR-BREAK, anti-backflow device inside that allows to prevent any backflow from the drainage system entering the internal pipes and the oven compartment.

Therefore, to connect the draining system it is possible:

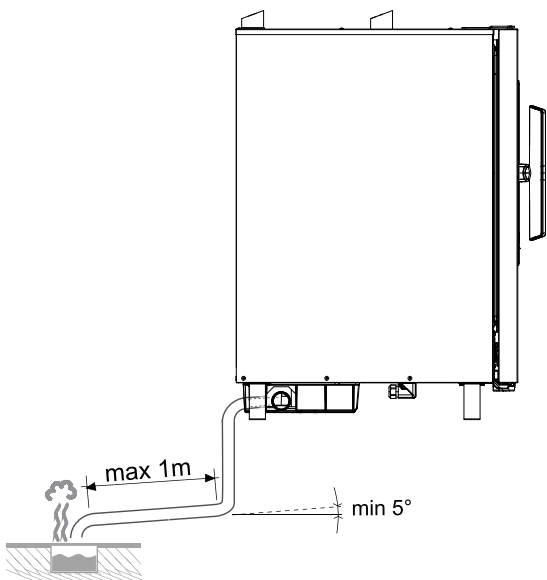
- to connect the drain pipe directly to the drainage system:



NOTE!

An air-break to drain conforms to EN61770 shall be installed before the discharge to the drainage system.

- or to let the drain pipe discharge into a floor grate.

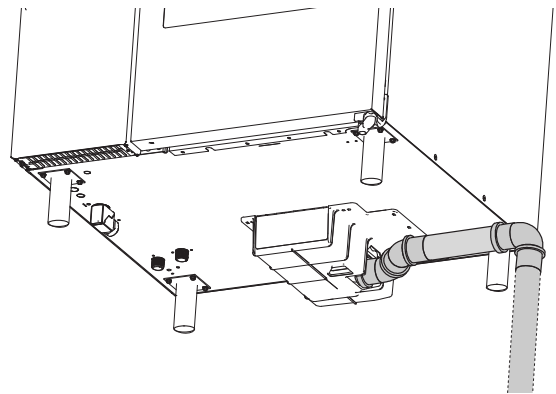


Additional configurations

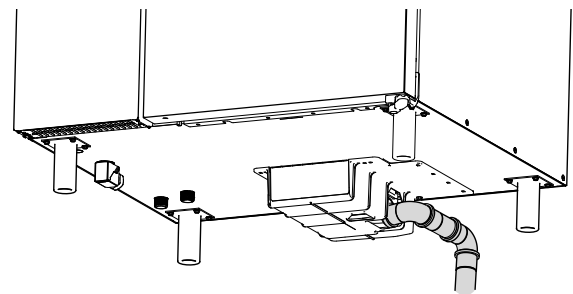
The drain pipe can be run to the side or the back, if the oven is not placed against a wall.

Special drain pipes kits are available on demand (code 922636 – 922637).

- lateral drain:



- back side:



NOTE!

The temperature of wastewater at appliance drain is approximately 100°C / 212 °F.

Make sure that:

- the drain pipe is not more than 1 metre long, with inside diameter not less than that of the oven discharge pipe (2").
- the drain pipe is able to withstand temperatures of at least 100°C.
- there are no constrictions in hoses or elbows in metal pipes, along the entire drain path.
- horizontal sections where water can collect and stagnate (minimum slope 5%) are avoided.

F.7 Electrical connection

F.7.1 General precautions for electrical connection



IMPORTANT

The connection to the electrical power supply must be in compliance with the current national and local regulations. Verify that the local electrical supply conditions are compatible with the electrical data given on the data plate.

**IMPORTANT**

The length of the conductors between the cable clamp and the terminals, shall be such that the current carrying conductors become taut before the earthing conductor if the cord slips out of the cable clamp.

Before connecting, make sure the voltage and frequency match that given on the data plate.

- Connect the appliance to the power supply in a permanent way with an H07 RN-F type cable.
- Install the power cable in a metal or rigid plastic pipe without any sharp parts.
- Install ahead of the appliance an omnipolar switch of suitable capacity with contact opening distance of at least 3 mm.

Install the switch in the building's electrical system, in the immediate vicinity of the appliance.

- Appliance max. leakage current is 5 mA.
- Install ahead of the appliance a device (interlocked plug, lockable switch or similar devices) lockable in the open position during maintenance.
- Connect the appliance to an efficient earthing system. For that purpose, the connection terminal block has a terminal with the symbol \ominus for connecting the earth wire.
- Include also the appliance into an equipotential system. The equipotential wire must have a section of at least 10 mm².

This connection is made with the setscrew marked ∇ , located externally near the power cable entry.

**IMPORTANT****For Electrical models only:**

This appliance can be connected only to a supply with maximum system impedance no more than:

6 GN 1/1 and 10 GN 1/1 = 0.18 Ω

6 GN 2/1 and 20 GN 1/1 = 0.043 Ω

10 GN 2/1 = 0.033 Ω

In case necessary, please consult your supply authority for system impedance information.

**CAUTION**

If the supply cord is damaged, it must be replaced by the manufacturer, its service agent or similarly qualified persons in order to avoid a hazard.

**IMPORTANT**

The manufacturer declines any liability if the current national and local regulations and possible safety regulations are not respected.

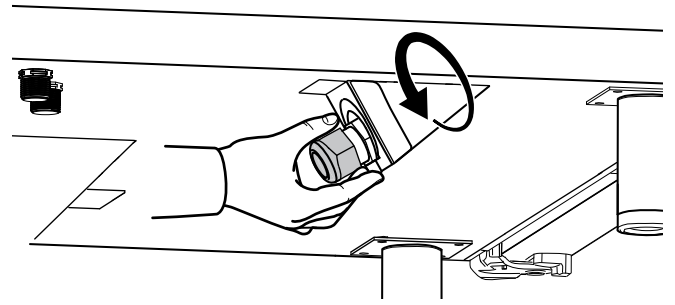
F.7.2 Power cable installation in electric models

To connect the power cable to the appliance, proceed as follows:

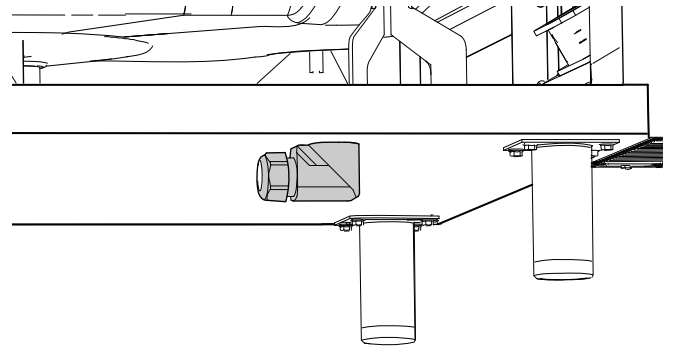
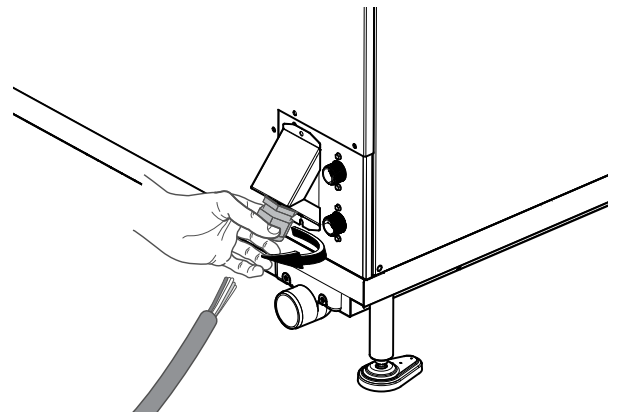
1. Remove the left side panel of the oven;
2. If applicable in your model undo the screw fixing the external box under the oven;
3. Loosen the ring to let the power cable run through the cable clamp;

6 - 10 grids models

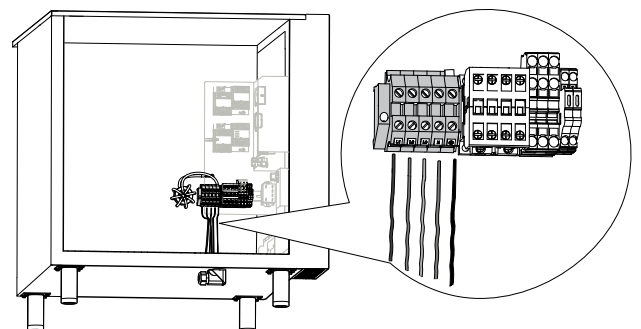
Cable clamp type for 220-240 V 3~



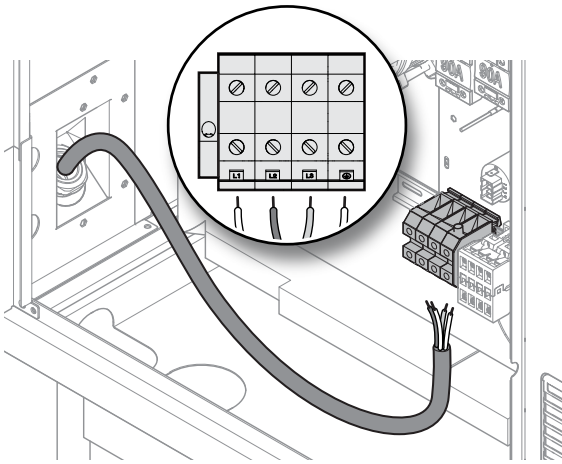
Cable clamp type for 380-415 V 3N~ or 3~, 400-430 V 3N~, 440 V 3~ and 480 V 3~

**20 grids models**

4. Unsheathe all wires from the cable;
5. Run the wires toward the terminal block;
6. Connect the wires to the terminal block as shown in the following figure.

6 - 10 grids models

20 grids models



7. After connection secure the cable screwing the cable gland ring.
8. Fix the external box under the oven doing the corresponding screw (if applicable in your model);

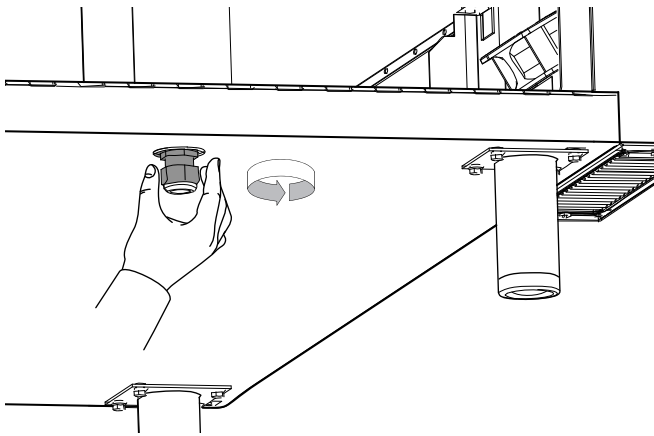
F.7.3 Power cable installation in gas models

Gas models

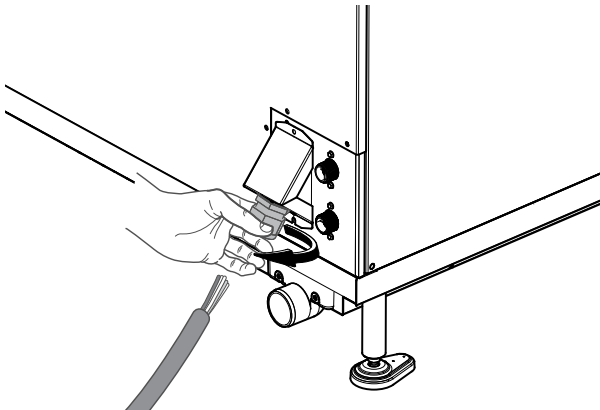
To connect the power cable to the appliance, proceed as follows:

1. Remove the left side panel of the oven;
2. Loosen the ring to let the power cable run through the cable clamp (see the figures)

6 - 10 grids models

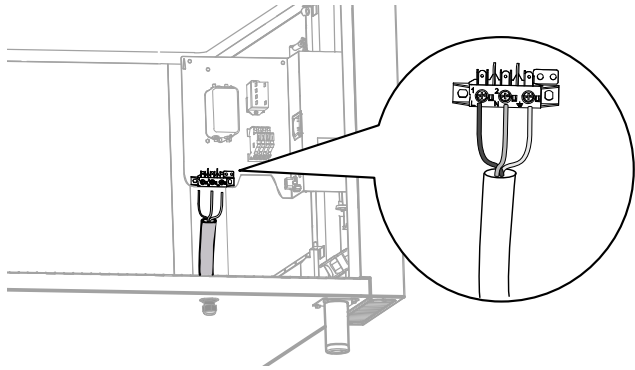


20 grids models

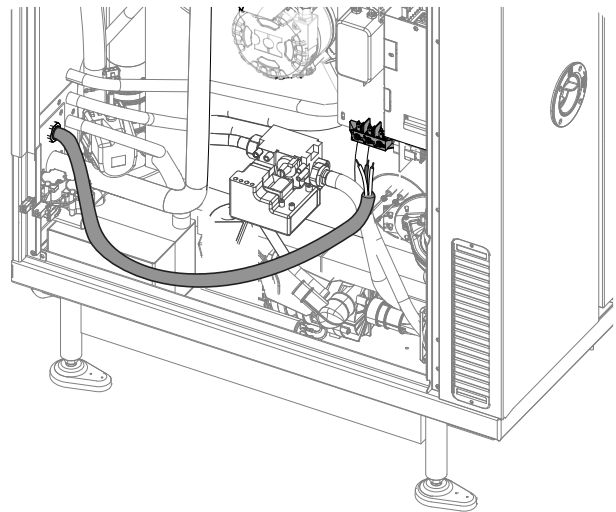


3. Run the cable toward the terminal block;
4. Unsheathe all wires from the cable;
5. Connect the wires to the terminal block as shown in the following figures.

6 - 10 grids models



20 grids models



6. After connection secure the cable screwing the cable gland ring.

F.7.4 Safety device

The appliance is equipped with the following safety devices:

- Fuse - located behind the control panel.

For electrical models

- Cavity manual-reset safety thermostat - located behind the control panel;
It switches off the electrical supply to the cavity heaters.
- Steam generator manual-reset safety thermostat - located behind the control panel;
It switches off the electrical supply to the generator heaters.
- Automatic-reset thermal device inside the fan.
It activates if the fan overheats, protecting unit operation and cuts off the electrical power to the appliance.

For gas models

- Cavity manual-reset safety thermostat - located behind the control panel;
It shuts off the gas supply to the convector burner.
- Steam generator manual-reset safety thermostat - located behind the control panel;
It shuts off the gas supply to the generator burner.
- Automatic-reset thermal device inside the fan.
It activates if the fan overheats, protecting unit operation and cuts off the electrical power to the appliance.



NOTE!

Resetting operations must be carried out by specialised technical personnel after eliminating the causes of interruption.

F.8 Connectivity

F.8.1 Installation

If you have ordered one of the "Connectivity kits" as accessory to make the appliance connectable, refer to the specific Installation instructions of the accessory.

If your appliance is equipped with IOT module, please refer to the Installation Instructions 595405V00 available through the appliance QR code.

F.9 Gas connection

F.9.1 General precautions for gas connection



CAUTION

Make sure the appliance is suitable for the type of gas available. Refer to the data plate.

Observe all local gas company regulations! Connecting incorrectly may result in burns.



IMPORTANT

For UK only: when the appliance operate with LPG, the addition of an OPSO (Over Pressure Shut-off) valve is recommended upstream of the appliance.

- Gas ovens are not suitable for marine environment.
- Before installing, consult the gas company to check the compatibility between the supply capacity and foreseen consumption.
- The combustion aeration capacity cannot be modified.



NOTE!

The connection of the inlet gas pipe is painted yellow.



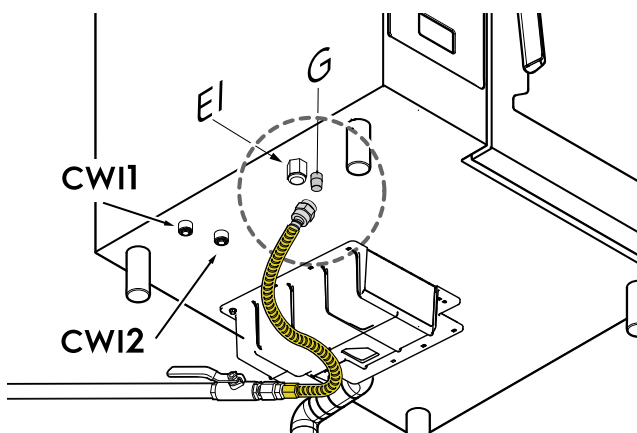
IMPORTANT

The flexible hose used for supplying gas, not more than 2 mt long, shall be in compliance with EN 14800 and with the current national and local regulations. It must be periodically examined and replaced as necessary. Refer to the installation diagram to determinate its position.

- Make sure the appliance is set up for the type of gas with which it will be supplied;
If it is not, follow the instructions in H *CONVERSION TO A DIFFERENT GAS TYPE* chapter.
- On completion of installation, use soapy water to check gas connections for leaks;
- If the appliance is hooked up to a supply with a different gas type with respect to the factory setting, after making the necessary changes check that it is working correctly.

Before connecting the appliance to the gas pipe

1. Remove the plastic protection cap from the gas pipe.
2. Connect the inlet gas pipe "G" to the gas pipe.
3. Fit a rapid gas shutoff tap "H" in an easily accessible place ahead of the appliance.



EI	Electrical inlet
CWI1	Water inlet for cleaning system
CWI2	Inlet for treated water
G	Inlet gas inlet pipe
H	Shutoff valve/tap



IMPORTANT

To convert the appliance to another type of gas, refer to H *CONVERSION TO A DIFFERENT GAS TYPE* chapter.

This appliance is arranged and tested to work with either Natural Gas or LPG according to the model (refer to the D *TECHNICAL DATA* chapter);

F.9.2 Nominal heat output

Refer to the D *TECHNICAL DATA* chapter.

The nominal heat output is determined by the gas supply pressure and the diameter of the gas valve diaphragm (nozzle).

In case of new installations and/or conversion to a different gas type the appliance nominal heat output must always be checked by the authorised installer or by the gas company.

Any change to the nominal heat output is strictly prohibited.

F.9.3 Check the supply pressure

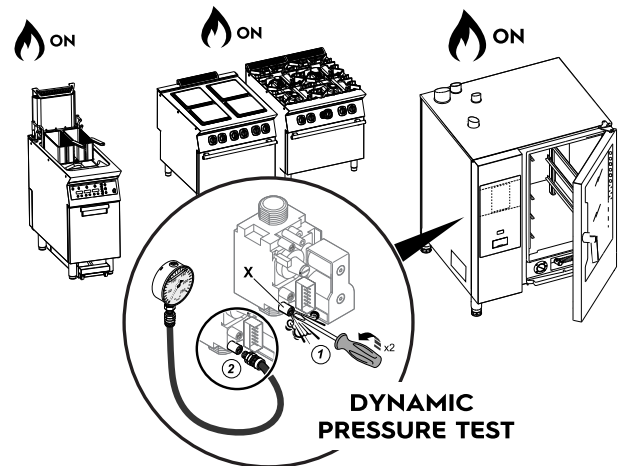
All standard appliances are prepared for **G20 natural gas** or **G31 liquid gas** configuration and are equipped with corresponding nozzles mounted. To see which gas configuration your appliance is prepared for, consult the gas adjustment label attached on the appliance itself.



IMPORTANT

The gas pressure in the oven must be considered a dynamic and not a static pressure, so it must be measured while the burner is lit and when all neighbouring appliances are lit.

If, for example, it is stated that the gas oven pressure must be 20mbar, this means 20mbar dynamic.



1. Remove the left hand side panel to gain access to the gas valve;
2. Loosen sealing screw "X" from the gas valve pressure test point and connect the pressure gauge hose in its place;
3. Open the gas shut-off tap;
4. Start a mixed cooking cycle skipping the preheating phase in such a way that all the burners can be lit;
5. Check that the pressure reading is within the values given in the following table:

GAS TYPE PRESSURE (MBAR)

	Nom	Min	Max
G20 natural gas	20	17	25
G31 L.P.G.	37	25	45

**IMPORTANT**

To see the values of pressures of all types of gas, refer to the table F.9.4 *Pressure of all type of gas*.

If the values are not within the values shown in the table, the appliance may not perform correctly. In this case inform your gas utility company of the problem.

GAS TYPE PRESSURE (MBAR) for Saudi Arabia

Type of gas	Nom	Min	Max
G30	50	42.5	57.5

6. Once you have measured the supply pressure stop the cooking cycle and close the gas shut-off tap.
7. Disconnect the pressure gauge and carefully refit and tighten sealing screw "X";
8. Refit the previously removed side panel.

GAS TYPE PRESSURE (MBAR) for Brazil

Type of gas	Nom	Min	Max
G20	20	17	25
G30	30	25	35

F.9.4 Pressure of all type of gas

Country	Country code	Gas Category	Gas type	nominal pressure [mbar]	min pressure [mbar]	max pressure [mbar]
Austria	AT	I12H3B/P	G20	20	17	25
			G30/G31	50	42.5	57.5
Belgium	BE	I12E(R)3P	G20	20	17	25
			G31	37	25	45
Bulgaria	BG	I12H3B/P	G20	20	17	25
			G30/G31	30	25	35
Cyprus	CY	I3B/P	G30/G31	30	25	35
Croatia	HR	I12H3B/P	G20	20	17	25
			G30/G31	30	25	35
Denmark	DK	I12H3B/P	G20	20	17	25
			G30/G31	30	25	35
Estonia	EE	I12H3B/P	G20	20	17	25
			G30/G31	30	25	35
Finland	FI	I12H3B/P	G20	20	17	25
			G30/G31	30	25	35
France	FR	I12Er3+	G20	20	17	25
			G25	25	20	30
			G30	30	25	35
			G31	37	25	45
Germany	DE	I12ELL3B/P	G20	20	17	25
			G25	20	18	25
			G30/G31	50	42.5	57.5
Greece	GR	I12H3B/P	G20	20	17	25
			G30/G31	30	25	35
Ireland	IE	I12H3P	G20	20	17	25
			G31	37	25	45
Iceland	IS	I3B/P	G30/G31	30	25	35
Italy	IT	I12H3B/P	G20	20	17	25
			G30/G31	30	25	35
Latvia	LV	I12H3B/P	G20	20	17	25
			G30/G31	30	25	35
Lithuania	LT	I12H3B/P	G20	20	17	25
			G30/G31	30	25	35
Luxemburg	LU	I12E3P	G20	20	17	25
			G31	50	42.5	57.5
Malta	MT	I3B/P	G30/G31	30	25	35
Norway	NO	I12H3B/P	G20	20	17	25
			G30/G31	30	25	35
Netherlands	NL	I12EK3B/P	G20	20	17	25
			G25.3	25	20	30
			G30/G31	30	25	35
Poland	PL	I12E3B/P	G20	20	17	25
			G30/G31	37	25	45

Country	Country code	Gas Category	Gas type	nominal pressure [mbar]	min pressure [mbar]	max pressure [mbar]
Portugal	PT	II2E3B/P	G20	20	17	25
			G30/G31	37	25	45
United Kingdom	UK	II2H3P	G20	20	17	25
			G31	37	25	45
Czech Republic	CZ	II2H3B/P	G20	20	17	25
			G30/G31	30	25	35
Romania	RO	II2H3P	G20	20	17	25
			G31	30	25	35
Slovakia	SK	II2H3B/P	G20	20	17	25
			G30/G31	30	25	35
Slovenia	SI	II2H3B/P	G20	20	17	25
			G30/G31	30	25	35
Spain	ES	II2H3P	G20	20	17	25
			G31	37	25	45
Sweden	SE	II2H3B/P	G20	20	17	25
			G30/G31	30	25	35
Switzerland	CH	II2H3B/P	G20	20	17	25
			G30/G31	50	42.5	57.5
Turkey	TR	II2H3B/P	G20	20	17	25
			G30/G31	30	25	35
Hungary	HU	II2HS3B/P	G20	25	20	30
			G30/G31	30	25	35
			G25.1	25	18	33
China	CN		G20	20	17	25
			G30/G31	30	25	35
Japan	JP		13A	13	10	25
			LPG	25	20	33
Korea	KR		G20	20	17	25
			G30/G31	30	25	35

F.9.5 Fume exhaust

For ventilation must be in accordance with n building codes and kitchen exhaust hoods must comply with AS/NZS1668.1 and AS 1668.2.

F.9.6 Burnt gas discharge

Observe instructions given in the currently valid versions of all local standards during installation.



CAUTION

Asphyxiation hazard!

It is necessary to prevent unacceptable concentrations of harmful combustion products (CO and CO₂) within the installation room.

Exhaust gas and ventilation rates

Appliance size	6 GN 1/1	6 GN 2/1	10 GN 1/1	10 GN 2/1	20 GN 1/1	20 GN 2/1
Min. room ventilation rate [m ³ /h] ¹	38	64	62	94	108	188
Min. combustion air supply [m ³ /h]	31	52	50	76	87	152
Max. exhaust gas volumes [m ³ /h]	71	121	126	192	218	413
Max. exhaust gas temperature [°C]	360	370	416	420	410	472

1. Air recirculation must take into account the air necessary for combustion (2 m³/h/kW of installed gas power).



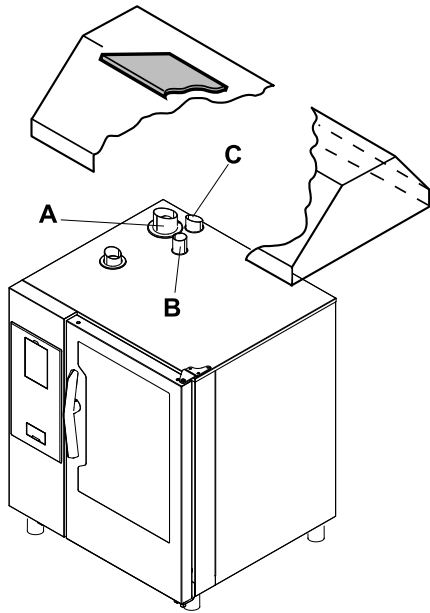
NOTE!

According to the installed rated thermal load, some local safety regulations regarding ventilation may be applicable. Verify provisions requiring the installation in rooms equipped with air conditioning plants for intake and exhaust ventilation.

Before installing the discharge system:

In relation to the combustion technology used, steam convection gas ovens are classified according to their "Construction type". The regulations provide discharge system for each burnt gas.

- identify the "Construction type" of the model in D *TECHNICAL DATA* paragraph or on the data plate;
 - refer to the diagrams illustrated here after:
1. **CONSTRUCTION TYPE "A3": SOLUTION 1 (direct discharge without manifold (e.g. under extractor hood))**



- A Exhausting gas from steam generator (gas models with boiler)
- B Exhaust gas cavity heat exchanger (all gas models)
- C Steam discharge (electric and gas models)

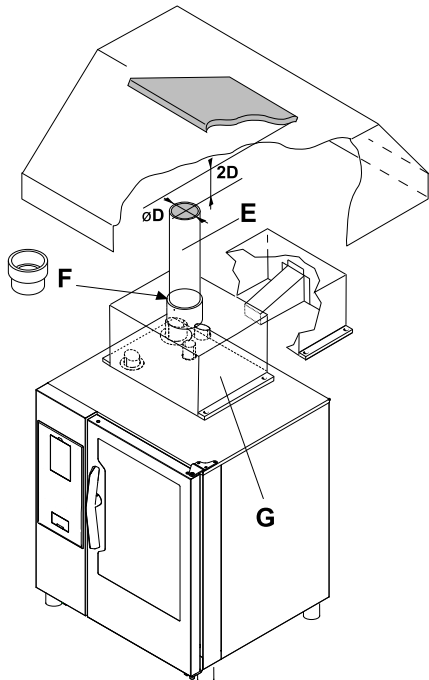
The exhaust gases are directed outside through kitchen ventilation systems.



CAUTION

Make sure the ventilation system is able to discharge the quantity of exhaust gases made by the appliance.

2. CONSTRUCTION TYPE "A3": SOLUTION 2 (direct discharge with manifold (e.g. under extractor hood))



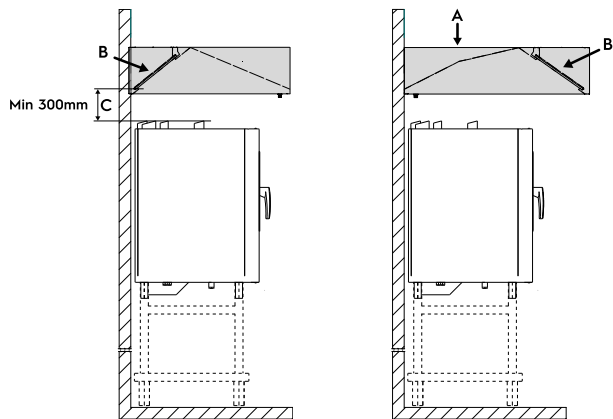
- D Extension pipe diameter
- 2D Distance between extension pipe and extractor hood
- E Extension pipe (available on the market)
- F Adapter ring for extension pipe (available on the market)
- G Manifold (not included, to be ordered)

Indications

- The extension pipe and the adapter ring are not included. They are available on the market.
The pipes must withstand 350 °C.
- When installing the manifold "G", always keep the distance "2D" between the top of the extension pipe and the lowest point of the hood filters.
This distance "2D" is defined on the basis of exhaust pipe diameter "D".
- Apply silicone sealant between the contact surfaces.

F.9.7 Extractor hood (UK only)

For gas ovens installed under an extractor hood, hoods with flame-retardant filters are recommended, as well as hoods with filters positioned at the front (oven door opening side). If the filters are on the back, the minimum distance shown below must be respected.



NOTE!

In case of 20 GN 2/1 oven, the minimum distance C in the graphic should be at least 400 mm.

A =	Extractor hood
B =	Hood filter / filter flame-retardant
C =	Minimum distance between oven chimneys and extractor hood



IMPORTANT

It is recommended to clean the grease collection filters at least once per month or more frequently in case of cooking high-fat-content products.

F.9.8 Instructions for the exhausting system

Before installation, check that the volume sucked by the fume exhaust system is greater than that of burnt gases produced by the appliance according to the reference standard.



CAUTION

Since burnt gases can reach very high temperatures, check the materials extension ducts and extractor hood filters are made from.



CAUTION

Make sure to periodically check the filters. If clogged with grease and grime, they will reduce the efficiency of the extraction system.

G FIRST START UP

G.1 Recap checks

Before first start up, make sure to carry out the following checks:

- voltage supply provided and voltage arrangement of appliance;
- correct phase/neutral connections into main connection clamp;
- gas type provided and gas arrangement of appliance;
- if the appliance nozzles have all been replaced as indicated (if necessary);
- gas pressure supply to oven;
- flushing of water pipes before connection to oven;
- water pressure supply and correct water treatment system connected to CWI1 and CWI2;
- correct closing of the door;
- empty cavity from all flammable material / pots / pans / utensils and so on (only 20GN models must have inserted in cavity the trolley for first startup);
- no flammable materials on top of oven;
- removing peeling stickers from side paneling.

H CONVERSION TO A DIFFERENT GAS TYPE

H.1 Warning



IMPORTANT

The conversion to a different type of gas the appliance is factory set for a specific gas type as specified on the stickers affixed to the packing and to the appliance.

To convert the appliance to a different gas type, follow strictly the procedure below.

H.2 Replacement of the GAS VALVE nozzle

1. Unscrew the hex nut of connector "A" with the relative seal "A1";
2. Replace the nozzle "B" with the specific component according to the gas type to be used for relative burner (cavity or boiler);
Refer to H.4 *Nozzles and adjustments / gas types* for the model of oven in question;
The nozzle diameter shown in hundredths of a millimetres is marked on the body of the nozzle (e.g. diameter 3.5 mm, marking: 350).
3. Fully tighten connecting hex nut "A1" with the relative seal "A".
4. Repeat the above operations for the other valves (if present).

Parameter adjustment

- Change the electronic card parameters relevant to the burner fan control as indicated in the service manual.

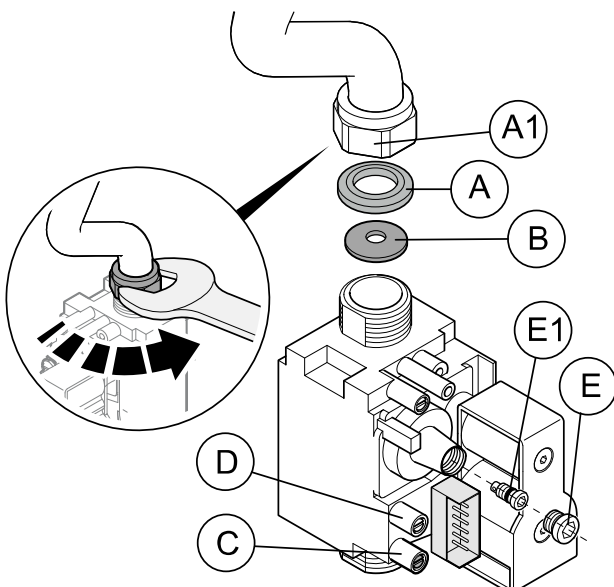


Figure 1

LEGENDA

A1	hex nut
A	seal
B	nozzle
C	sealing screw
D	sealing screw
E	screw cap
E1	gas valve screw

H.3 Gas valve adjustment (refer to Figure 1)



NOTE!

Note: the adjustments described below must be performed **exclusively by a technician authorised by the manufacturer.**

To adjust the pressure (negative) of the gas valve, adapting it to a different type of gas with respect to the factory set type, proceed as follows:

1. Loosen the sealing screw "D" in the gas valve pressure test point;
2. Connect a pressure gauge with minimum resolution of 1 Pa;
3. Remove adjuster screw cap "E";
4. Light the burner and select on the control panel a CONVECTION cooking cycle for the convector and a STEAM cycle for the boiler;
5. 1 minute after lighting the burner use a suitable tool to adjust screw "E1" of the gas valve to regulate the pressure (negative) until the pressure gauge reading is aligned with the value shown in H.4 *Nozzles and adjustments / gas types* corresponding to the burner in question;
6. Wait for a few minutes and (if the value changes) and adjust screw "E1" again;
7. When the adjustment is concluded refit cap "E" and seal it with red paint, taking care not to clog the vent holes in the valve;
8. Turn off the burner;
9. Repeat the above procedure for the other valves (if present).

H.3.1 Appliance gas type sticker

After setting up the appliance for a different type of gas, use the sticker relative to the type of gas to be used and affix it to the outside of the oven in a clearly visible position.

Choose the required sticker from those available in the supplied pouch.

H.4 Nozzles and adjustments / gas types

CAVITY gas valve

gas valve	6GN 1/1		10GN 1/1		20GN 1/1	
	∅ nozzle	Adjustment gas valve (Pa) ¹	∅ nozzle	Adjustment gas valve (Pa) ¹	∅ nozzle	Adjustment gas valve (Pa) ¹
G20 ²	4,70	0	4,75	0	4,75	0
G25 ²	5,30	-0,05	5,35	-0,1	5,35	-0,1
G25.1 ²	5,50	0	5,55	0	5,55	0
G25.3 ²	5,30	-0,05	5,20	0	5,20	0
G30	3,80	-0,05	3,75	-0,05	3,75	-0,05
G31 (L.P.G.)	4,05	0 / -0,05	3,95	0	3,95	0

1. Negative pressure

2. Natural gas

BOILER gas valve

gas valve	6GN 1/1		10GN 1/1		20GN 1/1	
	∅ nozzle	Adjustment gas valve (Pa) ¹	∅ nozzle	Adjustment gas valve (Pa) ¹	∅ nozzle	Adjustment gas valve (Pa) ¹
G20 ²	4,70	-0,05	6,05	0	6,30	-0,05
G25 ²	5,20	0	6,80	0	7,20	-0,1
G25.1 ²	5,40	0	7,25	0	7,50	-0,1
G25.3 ²	5,20	-0,05	6,85	0	7,10	-0,1
G30	3,80	-0,05	4,75	0	4,80	-0,05
G31 (L.P.G.)	3,95	0	5,15	0	5,20	-0,1

1. Negative pressure

2. Natural gas

CAVITY gas valve

gas valve	6GN 2/1		10GN 2/1		20GN 2/1	
	∅ nozzle	Adjustment gas valve (Pa) ¹	∅ nozzle	Adjustment gas valve (Pa) ¹	∅ nozzle	Adjustment gas valve (Pa) ¹
G20 ²	5,50	0	6,60	-0,05	6,60	-0,05
G25c ²	6,30	-0,05	7,60	0	7,60	0
G25.1 ²	6,60	0	7,90	0	7,90	0
G25.3 ²	6,30	-0,1	7,40	-0,1	7,40	-0,1
G30	4,40	0	5,00	-0,05	5,00	-0,05
G31 (L.P.G.)	4,60	-0,05	5,50	-0,1	5,50	-0,1

1. Negative pressure

2. Natural gas

BOILER gas valve

gas valve	6GN 2/1		10GN 2/1		20GN 2/1	
	∅ nozzle	Adjustment gas valve (Pa) ¹	∅ nozzle	Adjustment gas valve (Pa) ¹	∅ nozzle	Adjustment gas valve (Pa) ¹
G20 ²	5,45	-0,1	6,30	-0,05	7,90	0
G25 ²	6,1	-0,1	7,20	-0,1	9,20	-0,1
G25.1 ²	6,5	-0,1	7,50	-0,1	10,10	0
G25.3 ²	6,1	-0,1	7,10	-0,1	9,10	0
G30	4,25	0	4,80	-0,05	5,90	0
G31 (L.P.G.)	4,60	-0,05	5,20	-0,1	6,15	0

1. Negative pressure

2. Natural gas

I APPLIANCE SET UP

I.1 Introduction



CAUTION

Make sure the appliance is connected to the water supply, the draining system, the power supply and, in case of gas model, to the gas supply and to a exhaust burnt gas system.



CAUTION

Check the correct working of the door closing mechanism when the oven is hot. It may be requested to adjust the position of the door catch.

I.1.1 Touch models

When you start your new appliance for the first time, you are prompted for an automatic set-up procedure, called Wizard, once.

The appliance checks if all the installation steps have been carried out correctly and performs a series of auto tests. The Wizard lasts about ca. 30 minutes.

This procedure must be completed to guarantee the oven performances and to allow its use. Refer to the Service Manual – Electronic board.



IMPORTANT

This setup is meant to be carried out **ONLY** by an **authorized technician**.



DANGER

Risk of fire! Before running the wizard remove all packaging and any items from the cavity.



CAUTION

During operation, pay attention to the hot areas of the exterior surface. Do not place objects on the outlets located at the back top of the appliance.

I.1.2 Digital models

When the oven is installed it is necessary to verify its correct functionality by carrying out a series of cycles with the following sequence:

boiler models

1. a cleaning cycle to check the hydraulic system sealing;
2. a steam cooking cycle to check the door gasket sealing;
3. a convection cooking cycle to check the temperature achievement of 250 °C in the cavity.

boilerless models

1. a cleaning cycle to check the hydraulic system sealing;
2. a convection cooking cycle to check the temperature achievement of 250 °C in the cavity.



NOTE!

For detailed information about the above procedures consult the corresponding Service Manual.

J APPLIANCE DISPOSAL



WARNING

Refer to “*WARNING and Safety Information*”.

J.1 Procedure regarding appliance disposal

J.1.1 Recyclability

Our appliances are manufactured using a significant percentage of recyclable metals (such as stainless steel, iron, aluminium, galvanized sheet, copper, etc.), which can be recovered through the local recycling systems, in compliance with the regulations in force in the country of use.

National regulations regarding waste disposal may vary. Disposal of the appliance must therefore be carried out in accordance with the applicable legislation and the directives issued by the competent authorities in the country where the appliance is decommissioned.

The components of the appliance must be separated and disposed of in accordance with their material composition (e.g. metals, oils, greases, plastics, rubber, refrigerant gases, insulating boards and other insulating material, glass wool, LEDs, etc.) and in full compliance with applicable local and international waste management regulations.

J.1.2 Procedure regarding appliance disposal and component / material recovery

This product should not simply be disposed of in the environment at the end of its life cycle; it is imperative instead either to dispose of it in accordance with local environmental regulations, or, preferably, to deliver it whole to an authorized recycling center.

The dismantling/recycling center will apply state of the art technologies and methods available to them to effectively disassemble the products for best recyclability.

Note that printed circuit boards, electrical motors or other components identified in European Union legislation to be of high critical raw materials recovery potential need to be addressed specifically.

In case of doubts or questions, always refer to your reference customer care service.

Before disposing of the appliance, make sure to remove any food and organic residues. Carefully inspect its physical condition and preservation state, checking for potential leaks of liquids or gases, as well as for broken parts that may pose hazards during handling and subsequent dismantling.



The symbol on the product indicates that this product should not be treated as domestic waste, but must be correctly disposed of in order to prevent any negative consequences for the environment and human health. For further information on the recycling of this product, contact the local dealer or agent, the customer care service or the local body responsible for waste disposal.



NOTE!

When dismantling the appliance, any marking, this manual and other documents concerning the appliance must be destroyed.

CE