

# Dryer tunnel

35" - 22" - Corner 90°

---

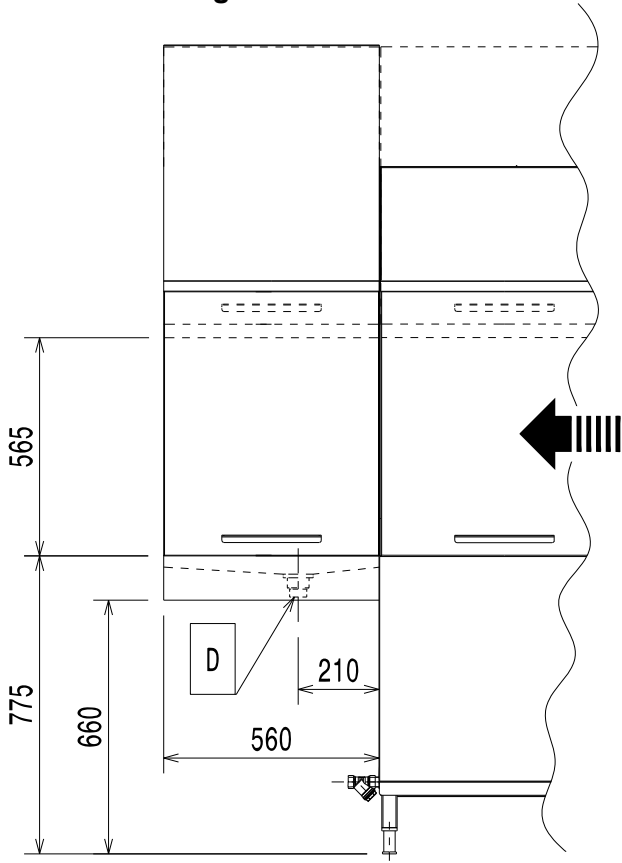
EN Installation manual \*



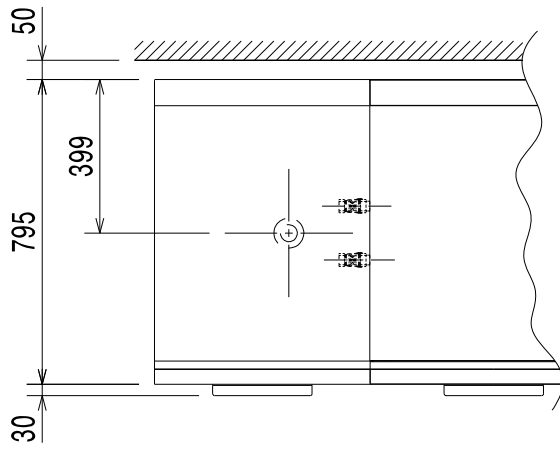
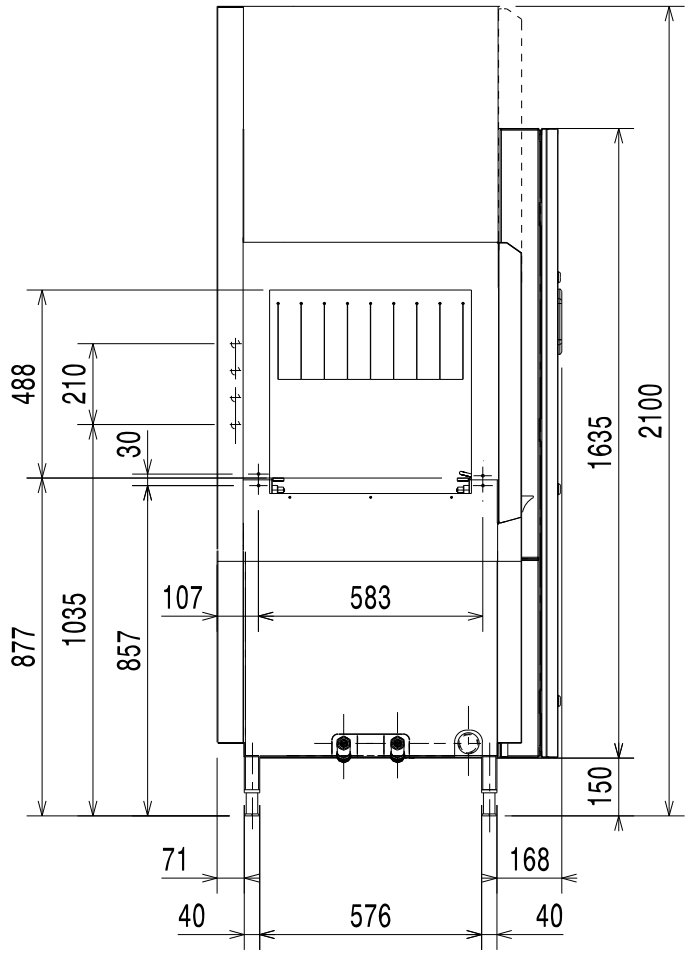
\*Original instructions

59566LF03- 2023.11

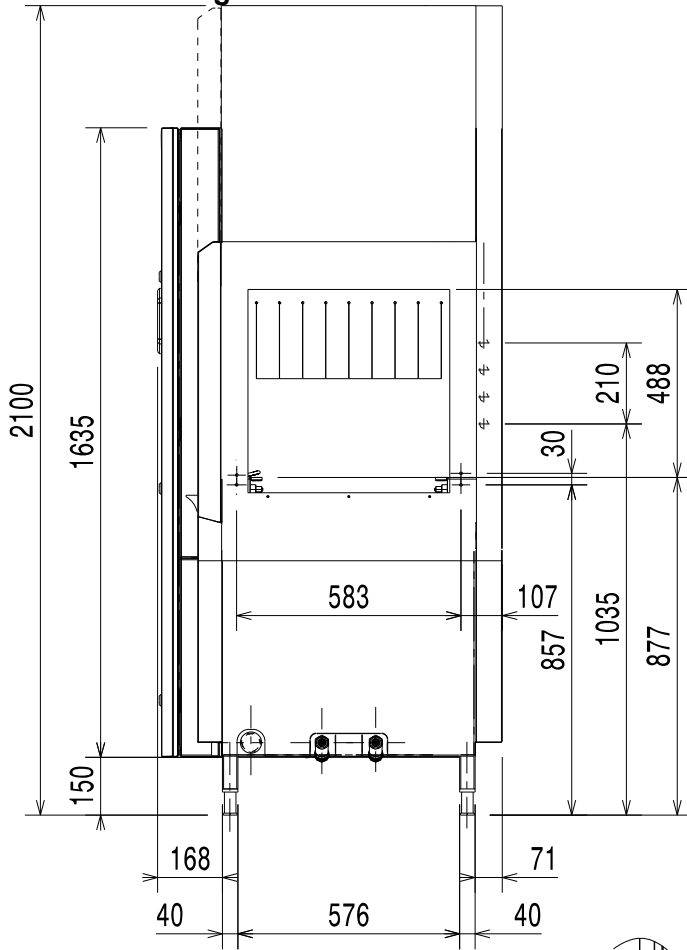
**Installation diagram**



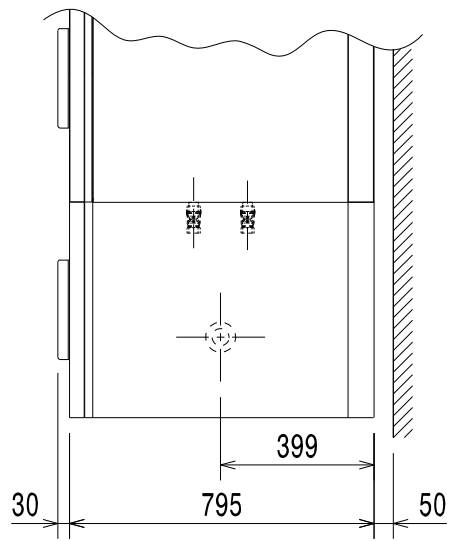
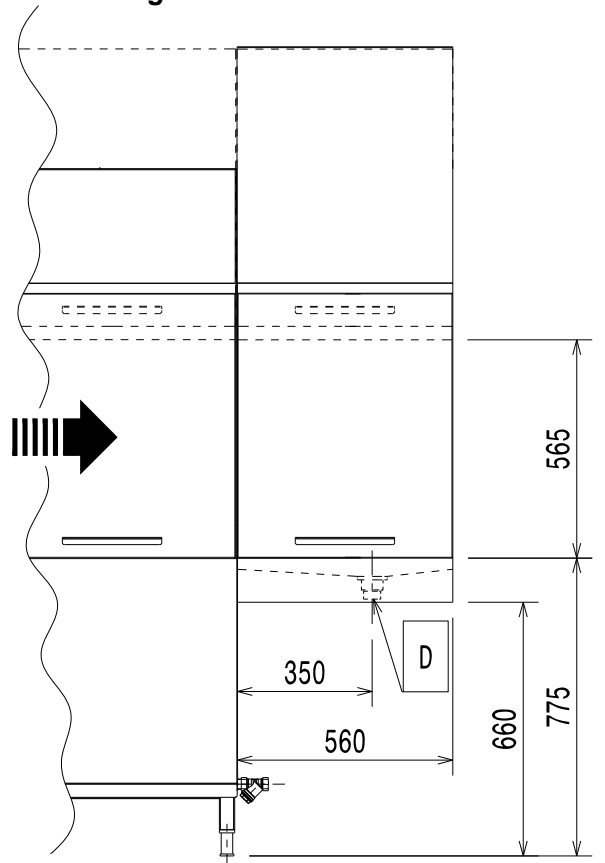
**DT 22" right to left with door**



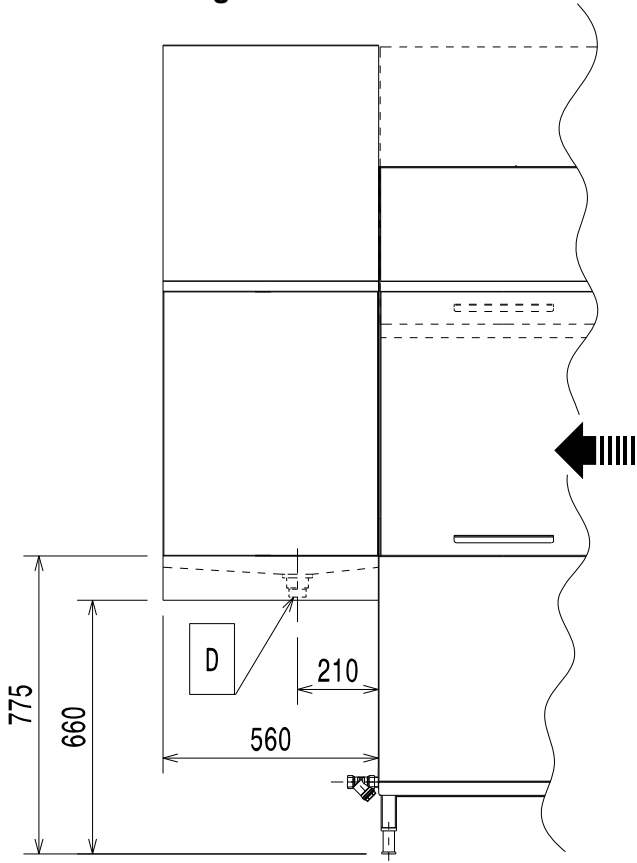
**Installation diagram**



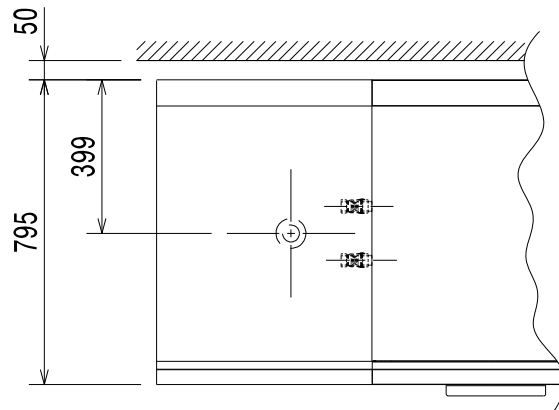
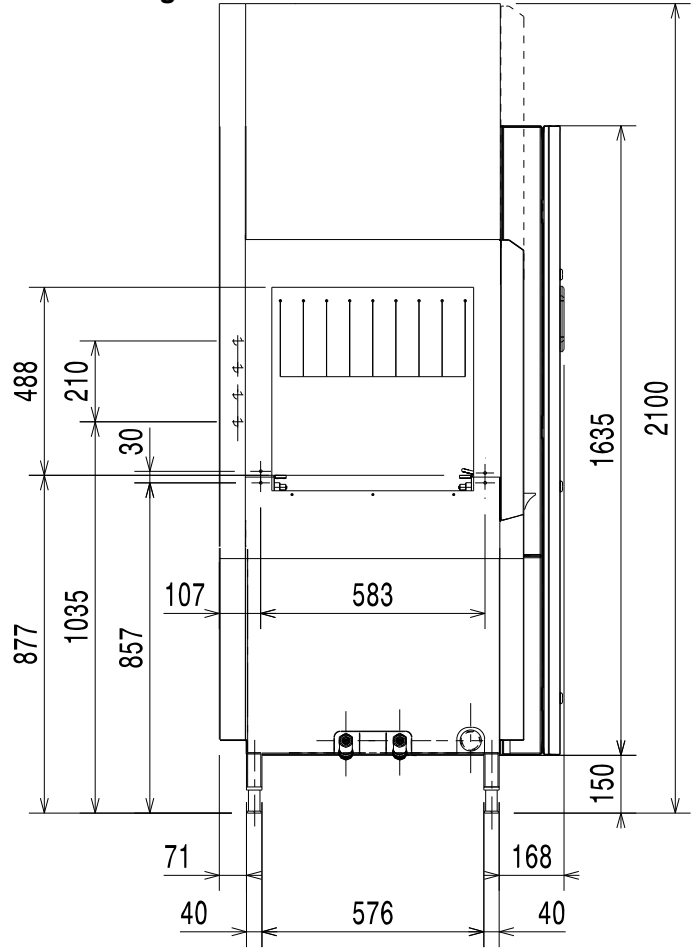
**DT 22" left to right with door**



**Installation diagram**

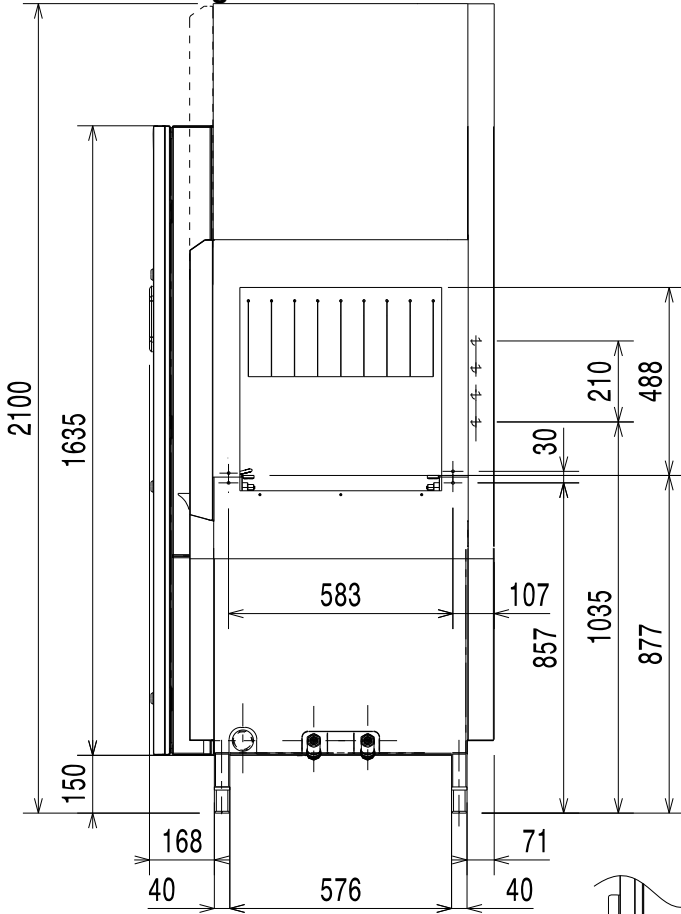


**DT 22" right to left without door**

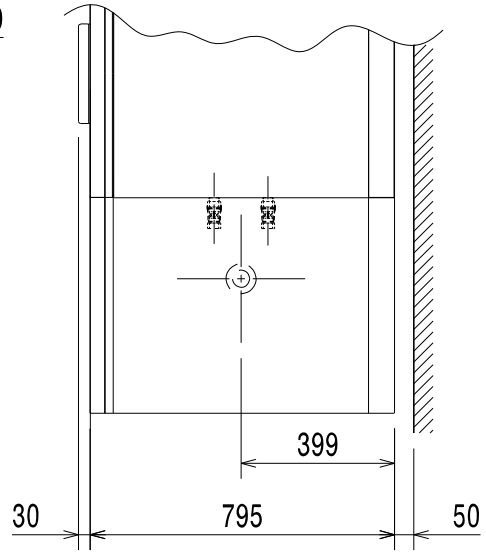
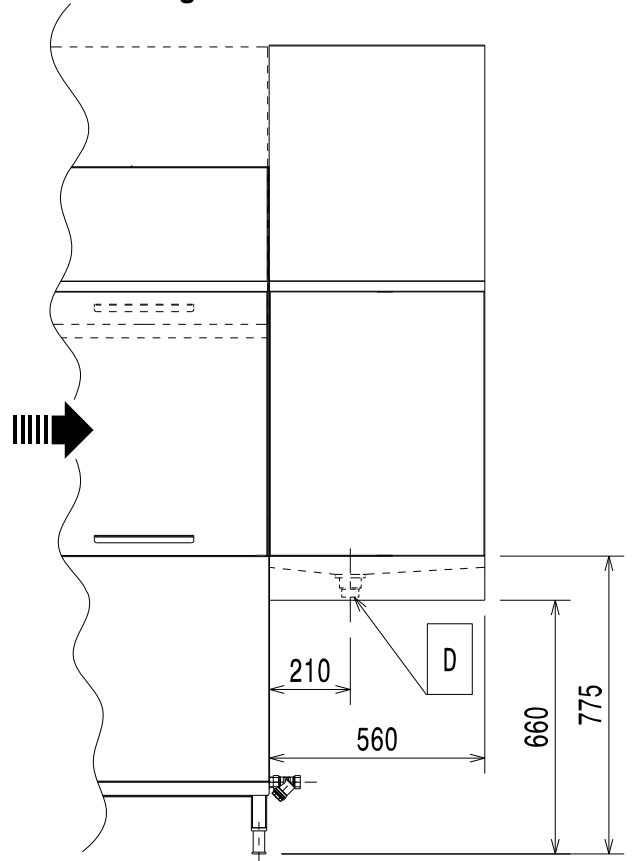




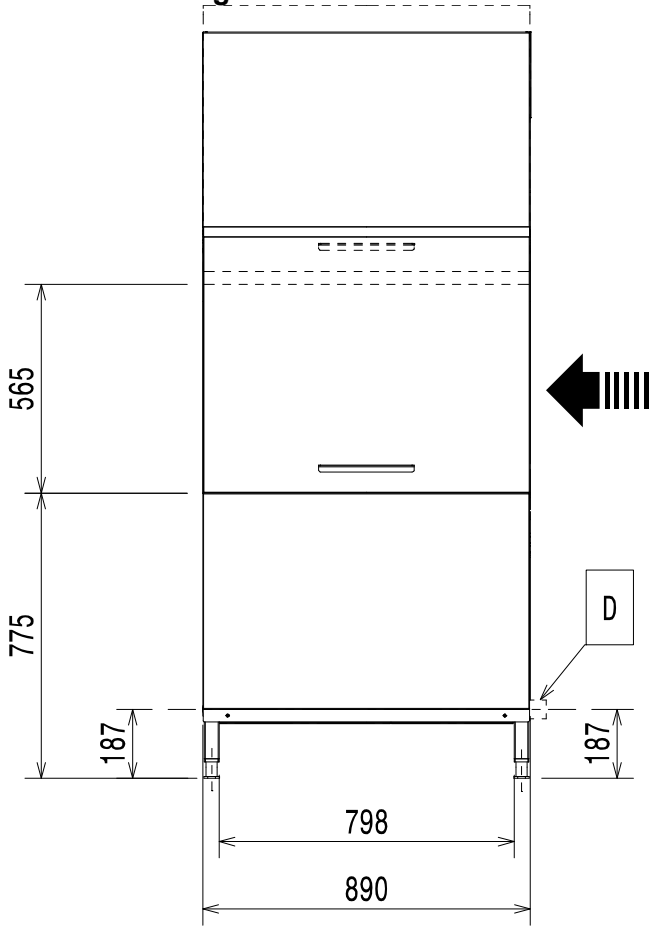
**Installation diagram**



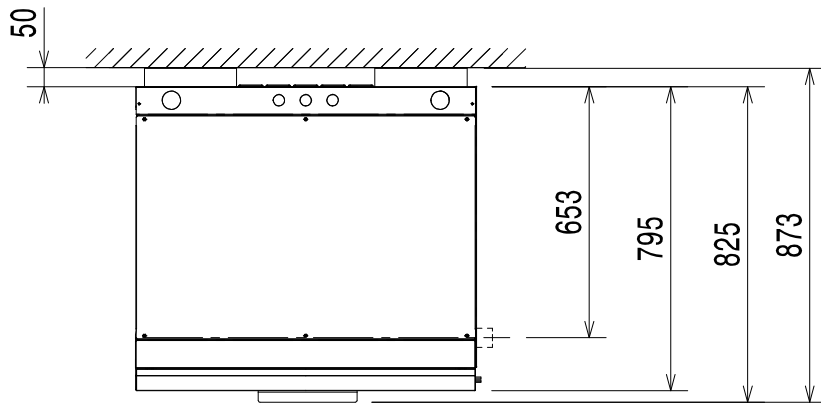
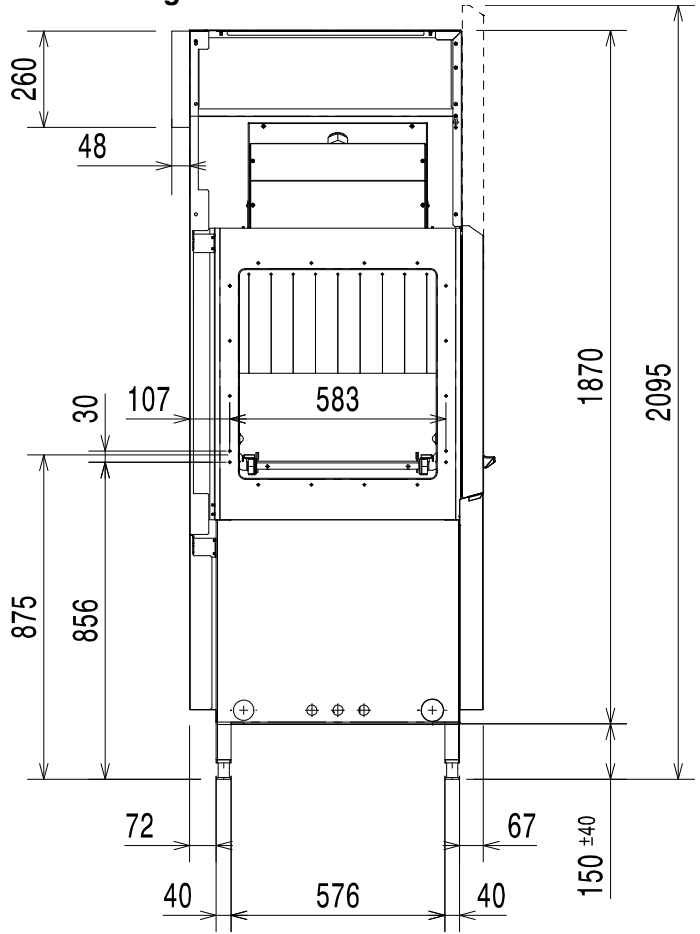
**DT 22" left to right without door**



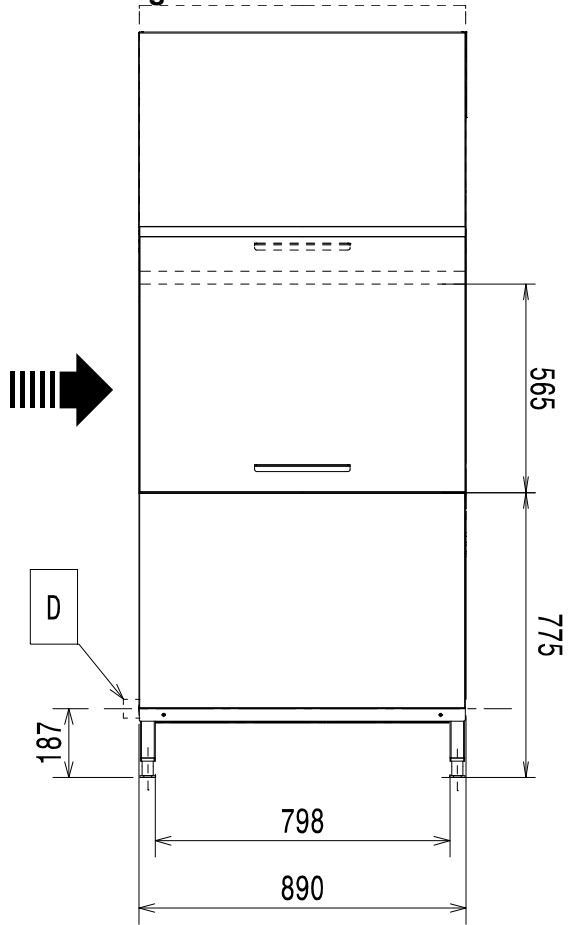
**Installation diagram**



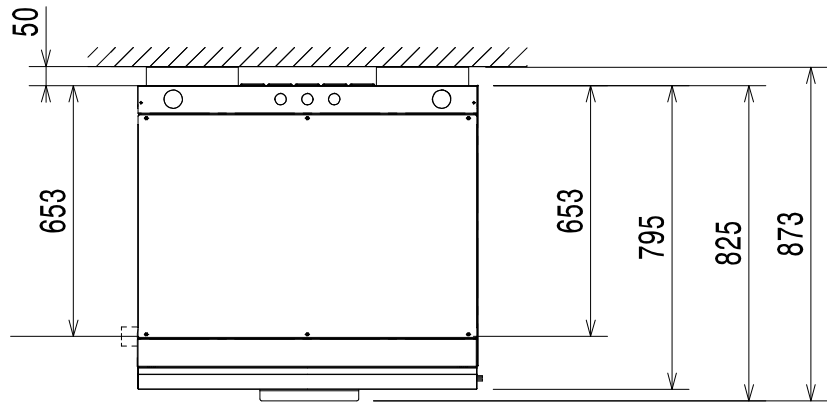
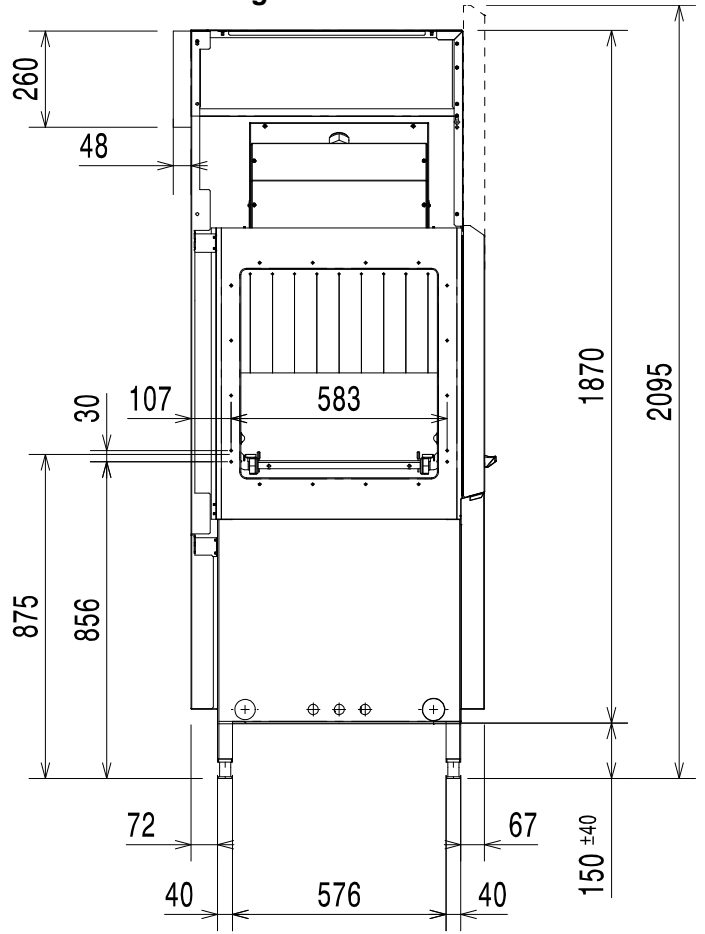
**DT 35" right to left**



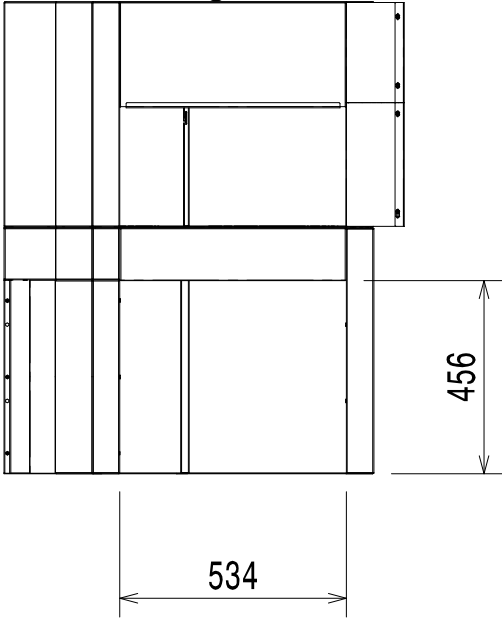
**Installation diagram**



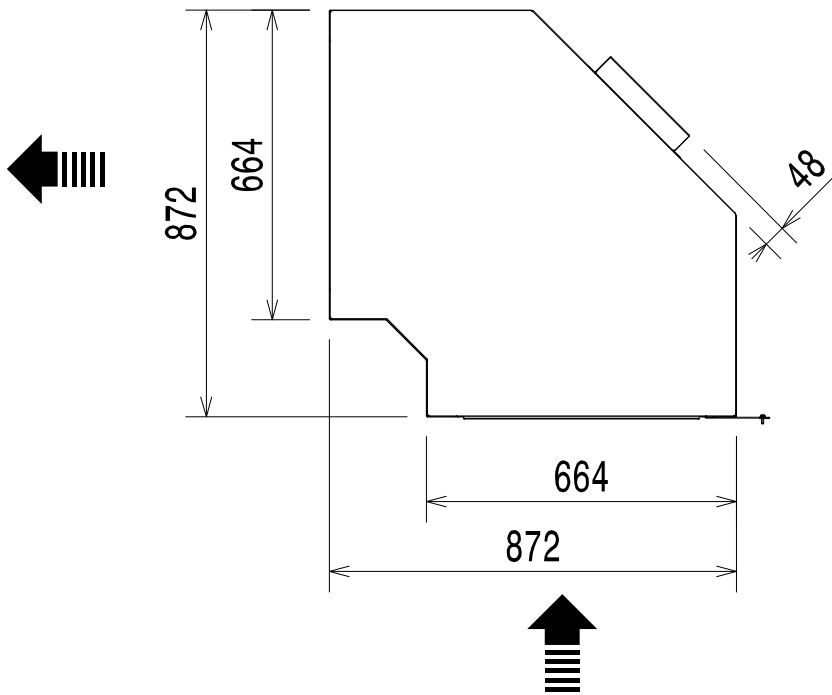
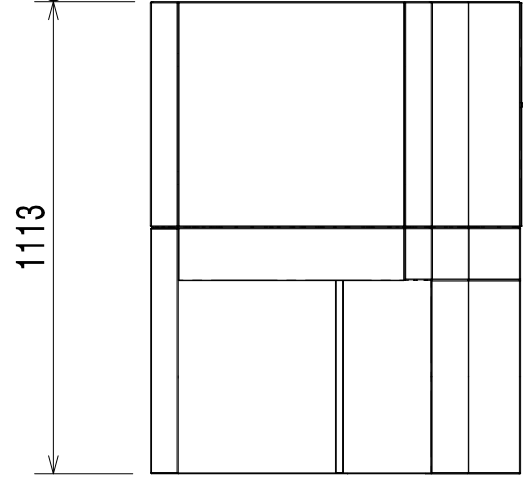
**DT 35" left to right**



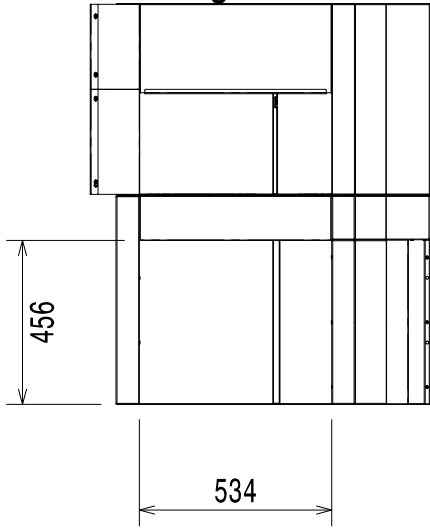
**Installation diagram**



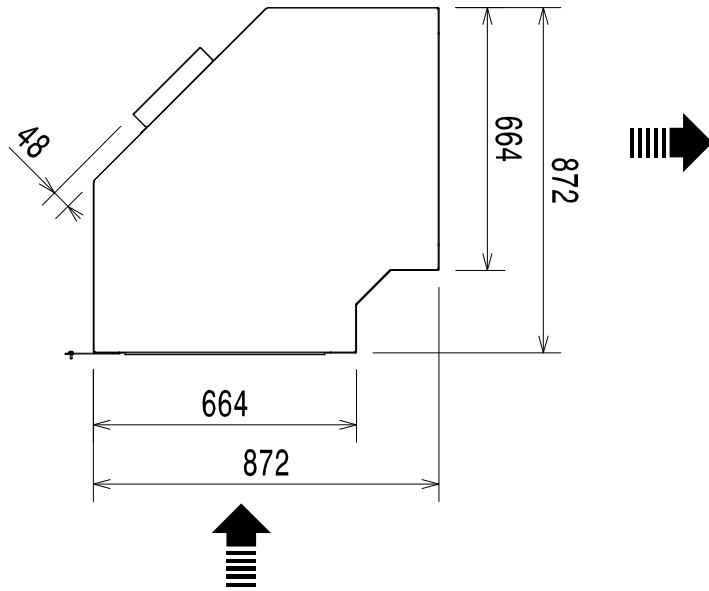
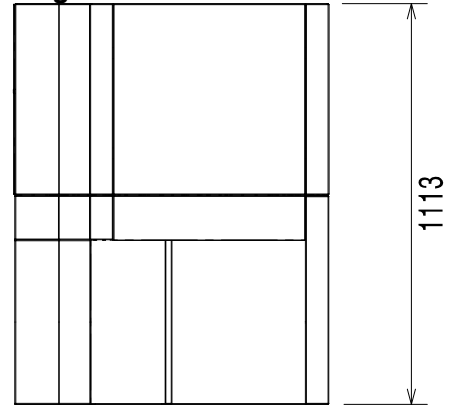
**Corner 90° right to left**



**Installation diagram**

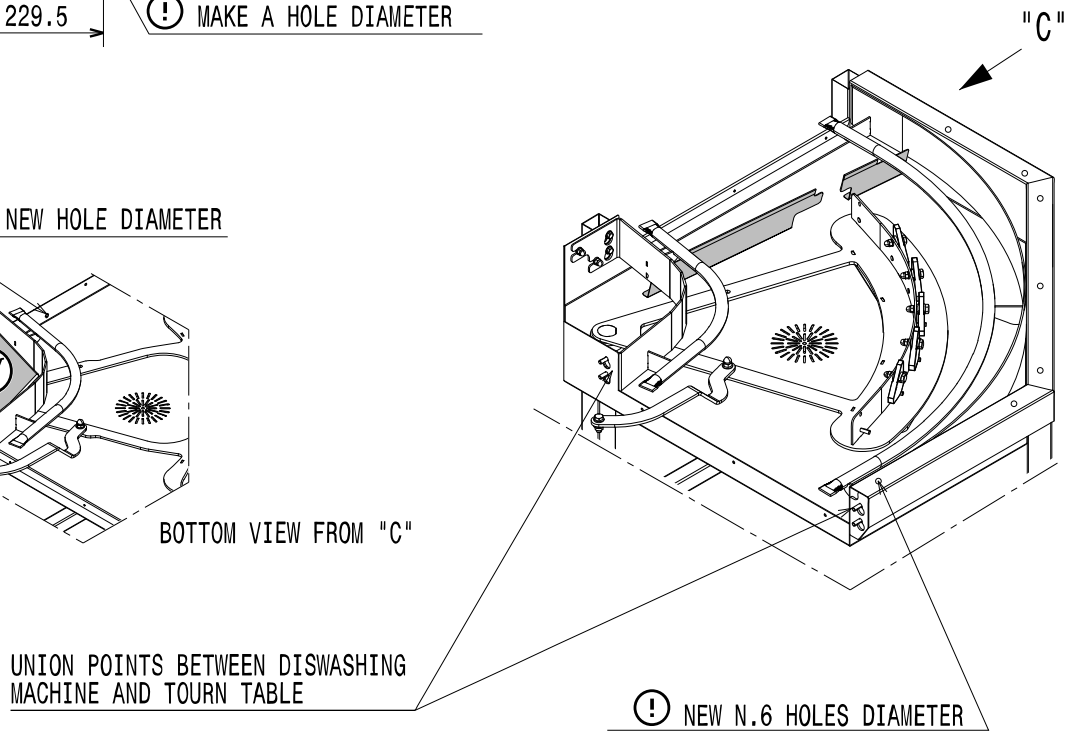
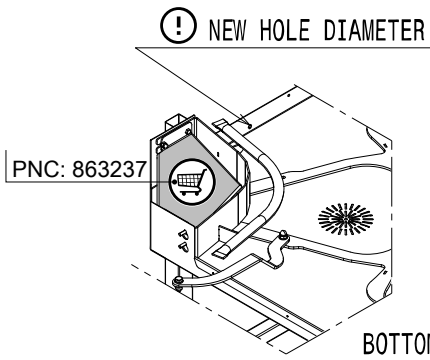
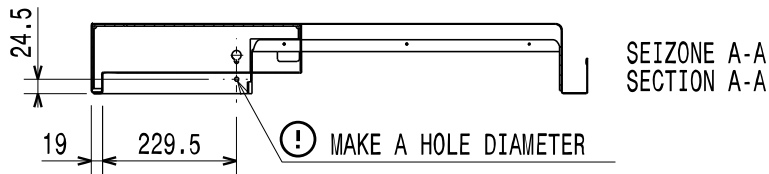
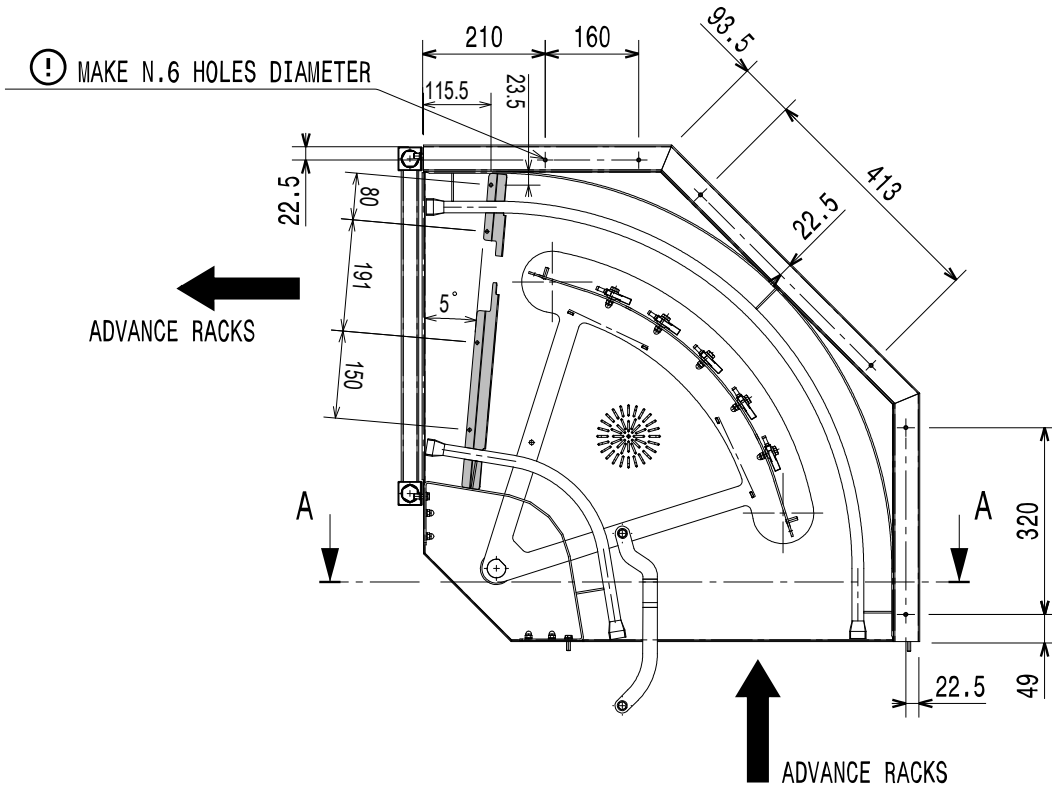


**Corner 90° left to right**



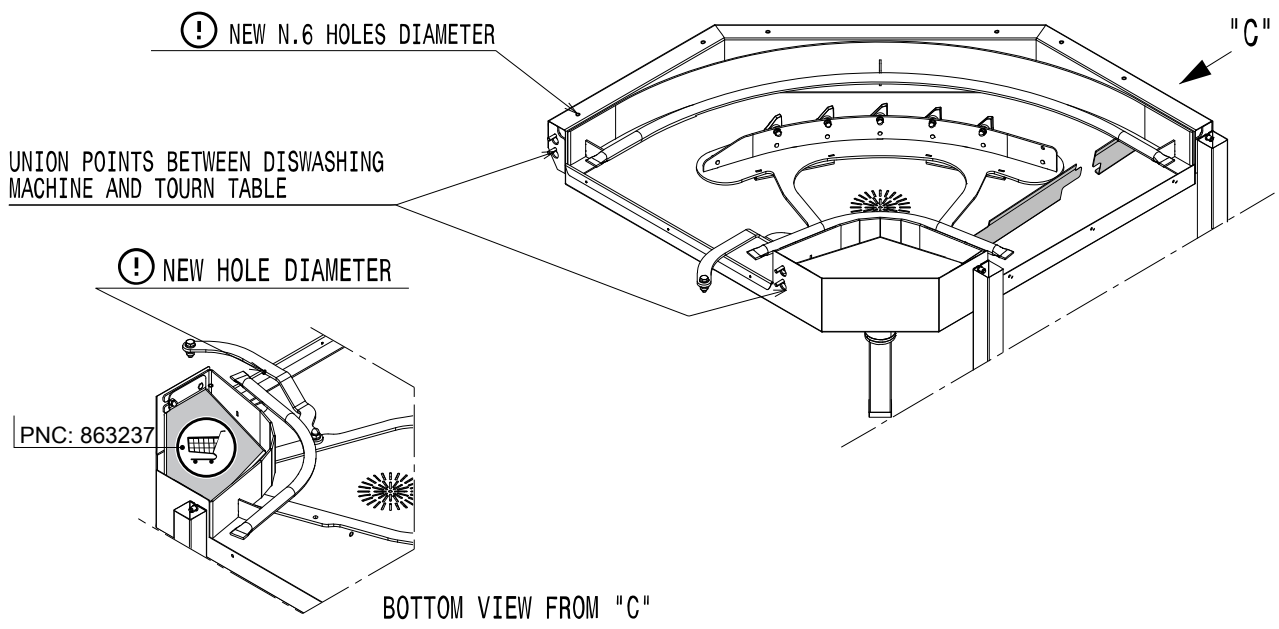
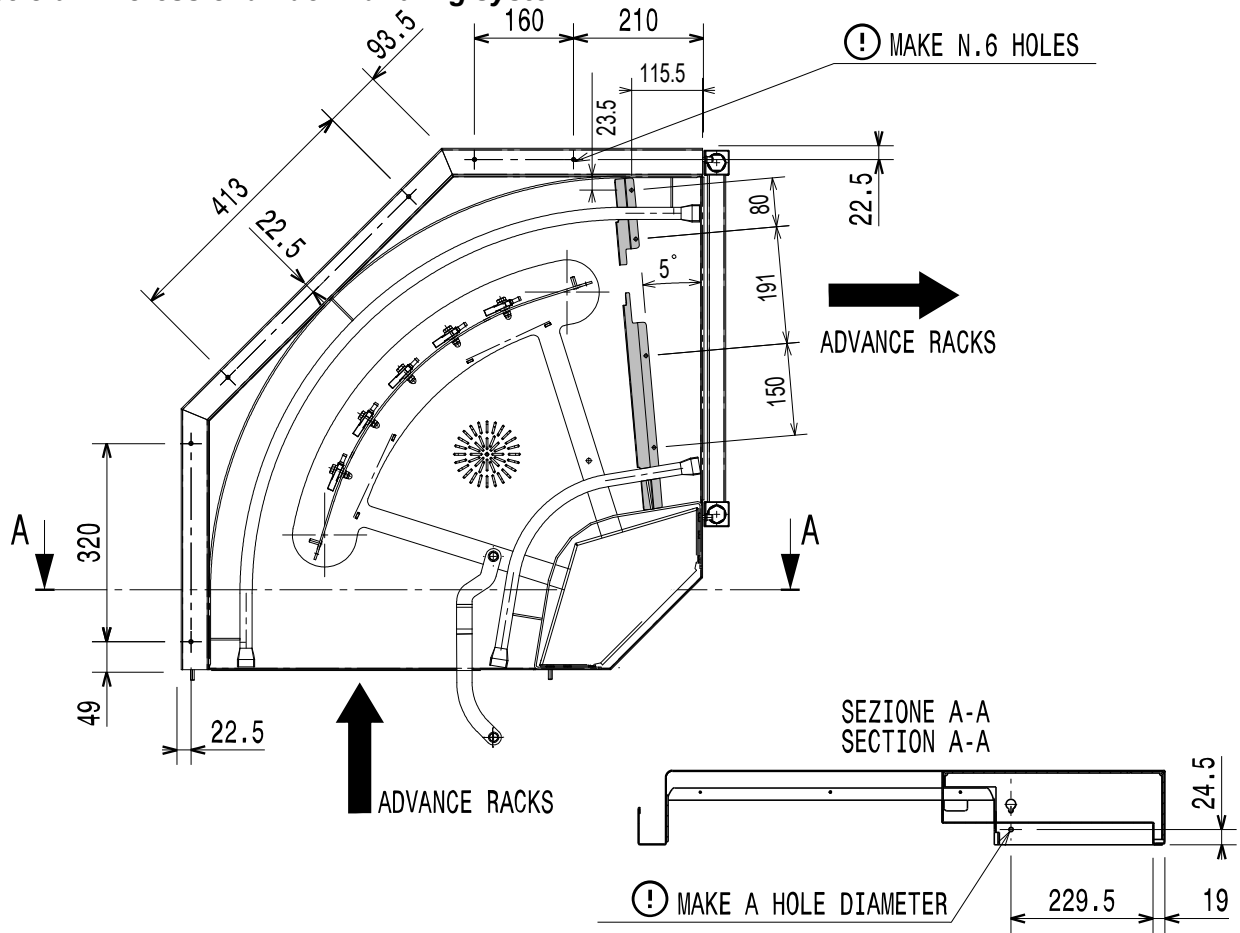
**Drilling diagrams**  
**Electrolux Professional rack handling system**

90° Bend Right (counterclockwise)



**Drilling diagrams**  
**Electrolux Professional rack handling system**

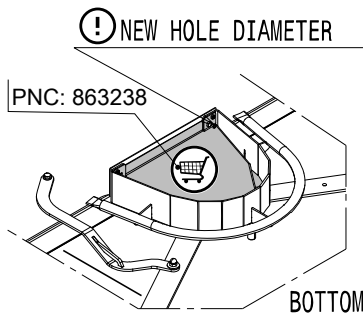
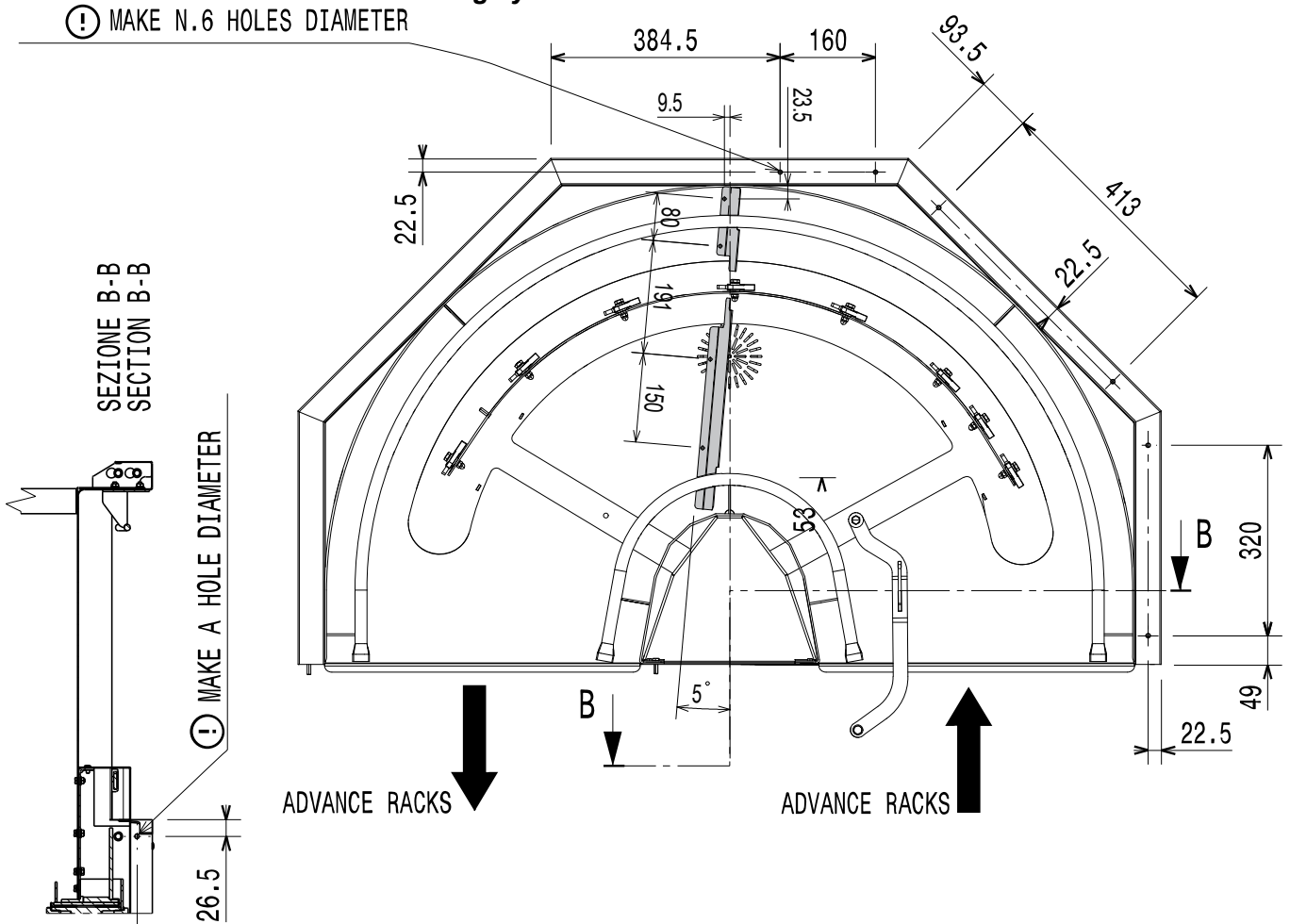
90° Bend Left (clockwise)



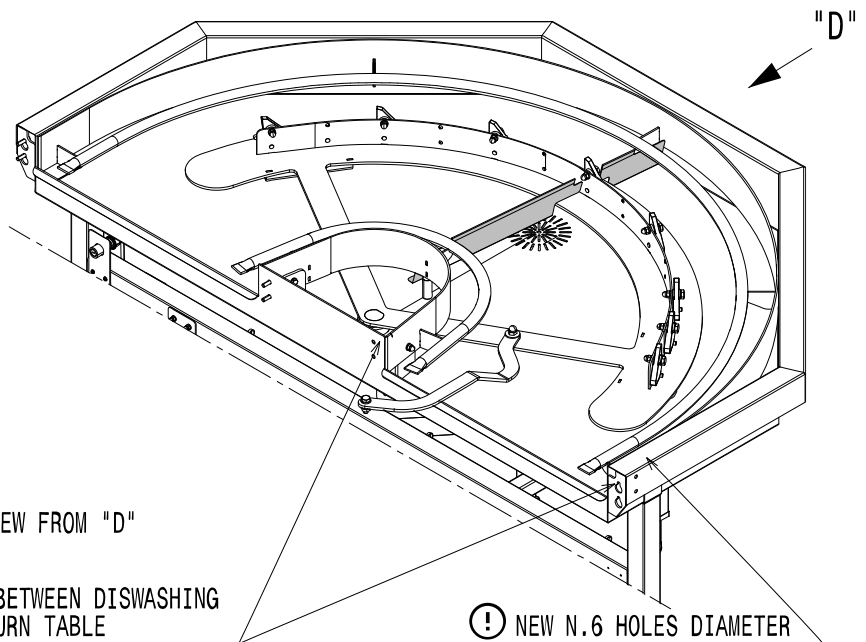
**Drilling diagrams**  
**Electrolux Professional rack handling system**

180° Bend Right (counterclockwise)

⚠ MAKE N.6 HOLES DIAMETER



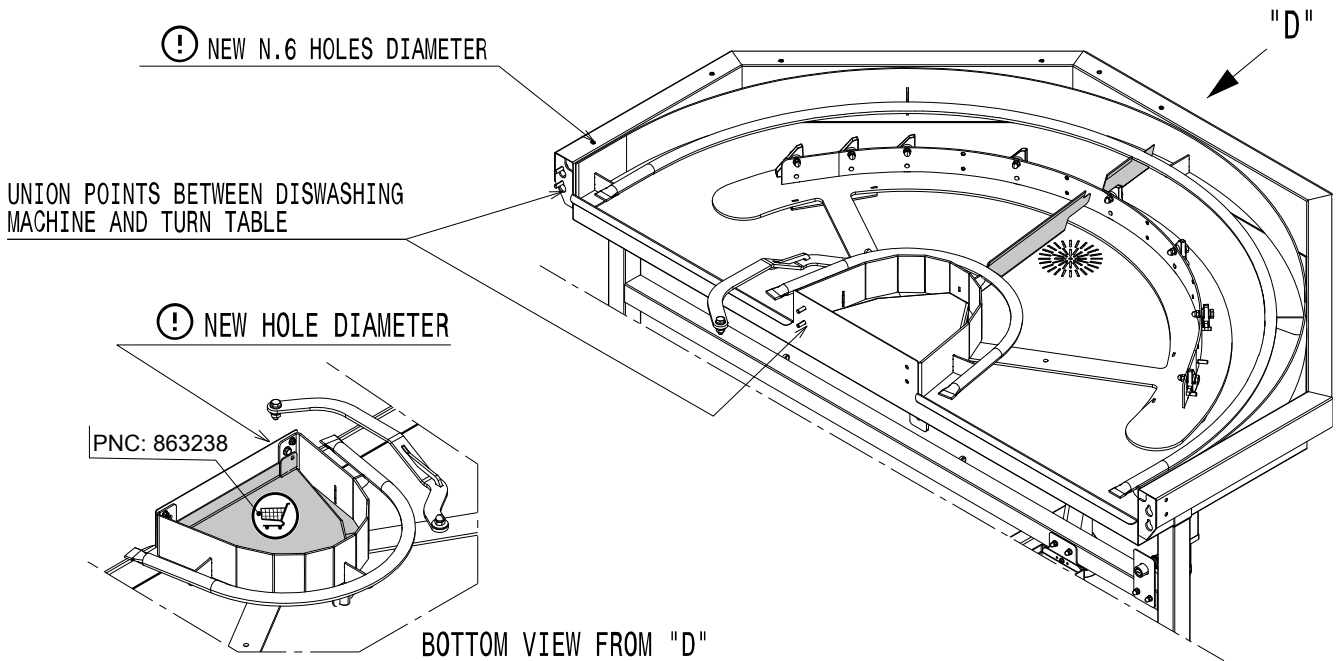
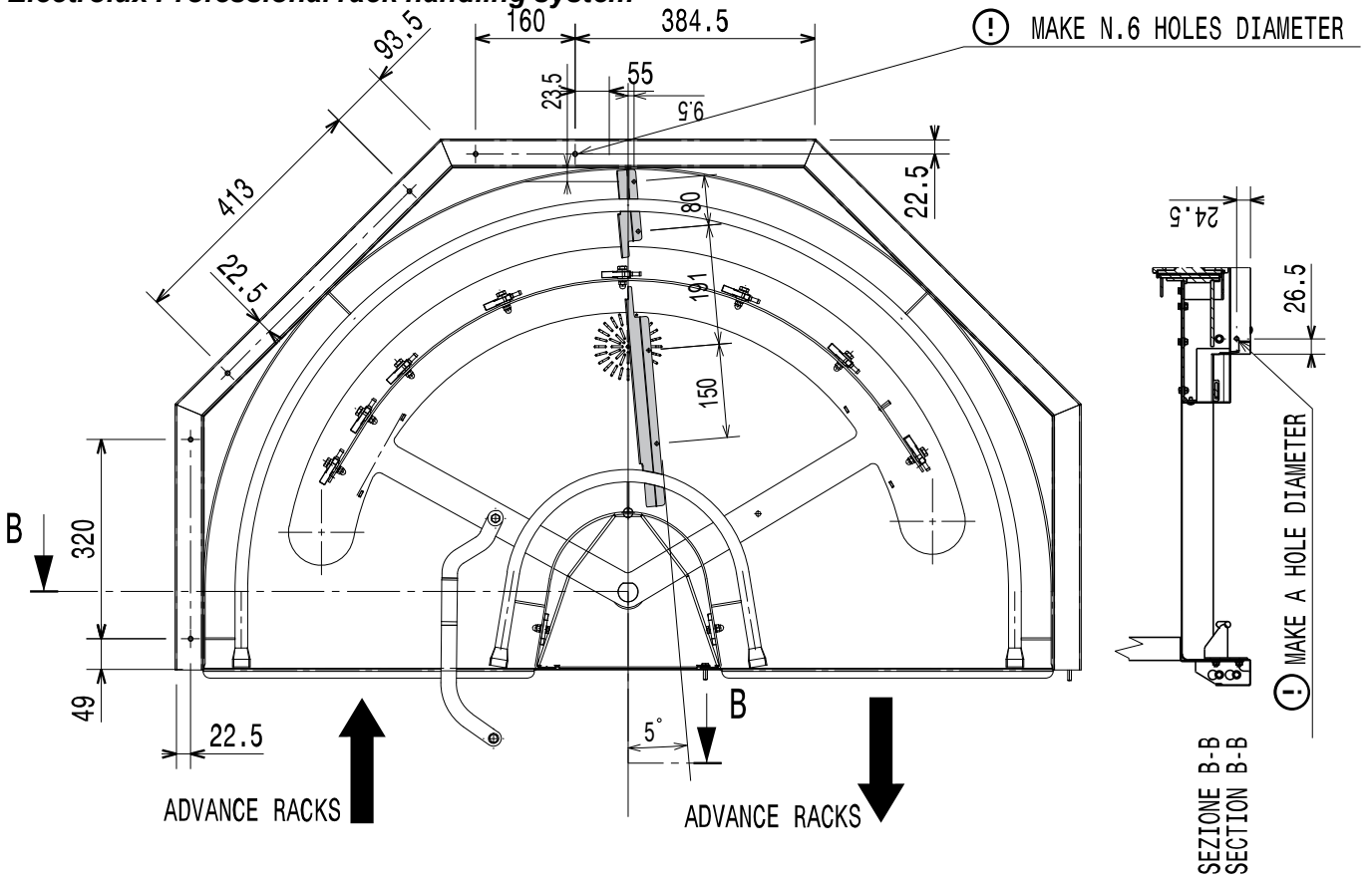
UNION POINTS BETWEEN DISWASHING  
 MACHINE AND TURN TABLE





**Drilling diagrams**  
**Electrolux Professional rack handling system**

180° Bend Left (clockwise)



D = Drain outlet  $\phi = G 1 \frac{1}{2}$ "

## Foreword



Read the following instructions, including the warranty terms before installing and using the appliance.

Visit our website [www.electroluxprofessional.com](http://www.electroluxprofessional.com) and open the Support section to:

---



Register your product



Get hints & tips of your product, service and repair information

---

The installation, use and maintenance manual (hereinafter Manual) provides the user with information necessary for correct and safe use of the appliance.

The following must not be considered a long and exacting list of warnings, but rather a set of instructions suitable for improving appliance performance in every respect and, above all, preventing injury to persons and animals and damage to property due to improper operating procedures.

All persons involved in appliance transport, installation, commissioning, use and maintenance, repair and disassembly must consult and carefully read this manual before carrying out the various operations, in order to avoid wrong and improper actions that could compromise the appliance's integrity or endanger people. Make sure to periodically inform the user regarding the safety regulations. It is also important to instruct and update personnel authorised to operate on the appliance, regarding its use and maintenance.

The manual must be available to operators and carefully kept in the place where the appliance is used, so that it is always at hand for consultation in case of doubts or whenever required.

If, after reading this manual, there are still doubts regarding appliance use, do not hesitate to contact the Manufacturer or the authorised Service Centre to receive prompt and precise assistance for better operation and maximum efficiency of the appliance. During all stages of appliance use, always respect the current regulations on safety, work hygiene and environmental protection. It is the user's responsibility to make sure the appliance is started and operated only in optimum conditions of safety for people, animals and property.



### IMPORTANT

- The manufacturer declines any liability for operations carried out on the appliance without respecting the instructions given in this manual.
- The manufacturer reserves the right to modify the appliances presented in this publication without notice.
- No part of this manual may be reproduced.
- This manual is available in digital format by:
  - contacting the dealer or reference customer care;
  - downloading the latest and up to date manual on the web site [www.electroluxprofessional.com](http://www.electroluxprofessional.com);
- The manual must always be kept in an easily accessed place near the appliance. Appliance operators and maintenance personnel must be able to easily find and consult it at any time.

# Contents

A	SAFETY INFORMATION	18
A.1	General information	18
A.2	General safety	19
A.3	Personal protection equipment	19
A.4	Protection devices installed on the appliance	20
A.5	Safety signs to be placed on the appliance or near its area	21
A.6	Transport, handling and storage	21
A.7	Installation and assembly	21
A.8	Electrical connection	22
A.9	Appliance cleaning	23
A.10	Parts and accessories	23
A.11	Appliance disposal	23
B	GENERAL INFORMATION	23
B.1	Introduction	23
B.2	Definitions	23
B.3	Appliance and manufacturer's identification data	23
B.4	Data plate position	24
B.5	Additional indications	24
B.5.1	How to interpret the factory description	24
B.6	Responsibility	24
B.7	Copyright	24
B.8	Keeping the manual	24
B.9	Recipients of the manual	24
B.10	Coupling to the rack-type dishwasher	24
B.11	Disposal of packing	25
C	TECHNICAL DATA	25
C.1	Main technical characteristics	25
C.2	Characteristics of power supply	25
D	TRANSPORT, HANDLING AND STORAGE	25
D.1	Introduction	25
D.2	Handling	26
D.2.1	Procedures for handling operations	26
D.2.2	Shifting	26
D.2.3	Placing the load	26
D.3	Storage	26
D.4	Customer packaging checks	26
E	INSTALLATION AND ASSEMBLY	26
E.1	Introduction	26
E.2	Customer's responsibilities	26
E.3	Installation of dryer module on the rack-type dishwasher	26
E.4	Characteristics of the place of machine installation	26
E.5	Appliance space limits	27
E.6	Positioning	27
E.7	Extraction hood	27
E.8	Mechanical connections	27
E.8.1	Additional instructions only for heat pump dishwasher	27
E.8.2	Drying tunnel 35"	29
E.8.3	Install the 35" drying tunnel in a left to right appliance	31
E.8.4	Double flow drying tunnel 35"	33
E.8.5	Install the double flow drying tunnel 35" in a left to right appliance	35
E.8.6	Drying tunnel 22"	38
E.8.7	Install the 22" drying tunnel in a left to right appliance	40
E.8.8	Drying tunnel corner 90°	40
E.8.9	Install the 90° drying tunnel in a left to right appliance	42
E.8.10	Drilling diagrams for Electrolux Professional rack handling system	43
E.9	Electrical connection	43
E.9.1	Remove the jumper from terminal board	44
E.10	Plumbing connections	44
E.11	Parameter configuration update	45
E.12	Constructional modifications	45
E.13	Installation of rack handling systems	45
E.14	Arrangement for mechanical connection (only for Electrolux Professional rack handling system non motor operated)	45
E.15	Installation of the end limit switch	46
E.15.1	Prearrangement for electrical connection	46
E.16	Positioning of emergency switches	47
E.16.1	Electrical connection	47
E.17	Emergency stop reinstatement	47
E.18	Fitting curtains	47
F	COMMISSIONING	48
F.1	Preliminary checks, adjustments and operational tests	48
F.2	Electrical and plumbing connection	48
F.3	Positioning and fitting of the curtains	48

F.4	First starting .....	48
G	NORMAL USE .....	49
G.1	For additional information, refer to manual supplied with the appliance .....	49

---

## A SAFETY INFORMATION

---

### A.1 General information

To ensure safe use of the appliance and a proper understanding of the manual it is necessary to be familiar with the terms and typographical conventions used in the documentation. The following symbols are used in the manual to indicate and identify the various types of hazards:



#### **WARNING**

Danger for the health and safety of operators.



#### **WARNING**

Danger of electrocution - dangerous voltage.



#### **CAUTION**

Risk of damage to the appliance or the product.



#### **IMPORTANT**

Important instructions or information on the product



Equipotentiality



Read the instructions before using the appliance

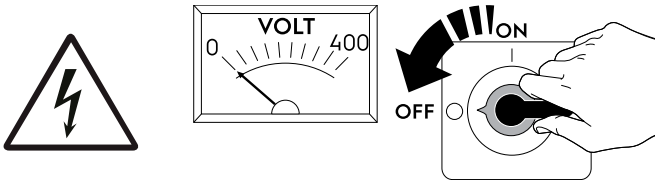


Clarifications and explanations

- Only specialised personnel are authorised to operate on the appliance.
- This appliance is intended to be used for commercial applications, for example in kitchens of restaurant, canteens, hospitals. It must be used for washing or drying plates, dishes, glassware, cutlery and similar articles.
- This appliance is not intended for use by persons (including children) with reduced physical, sensor or mental capabilities, or lack of experience and knowledge, unless they have been given supervision or instruction concerning use of appliance by a person responsible for their safety.
- Do not let children play with the appliance.
- Keep all packaging and detergents away from children.
- Cleaning and user maintenance shall not be made by children without supervision.
- For your safety do not store or use gasoline or other flammable materials, vapours and liquids in the vicinity of this or any other appliance.
- Do not store explosive substances, such as pressurized containers with flammable propellant, in this appliance.
- Refer to the data given on the appliance's data plate for relations with the Manufacturer (e.g. when ordering spare parts, etc.).
- When scrapping the appliance, the marking CE must be destroyed.
- Save these instructions carefully for further consultation by the various operators.

## A.2 General safety

- The appliances are provided with electric and/or mechanical safety devices for protecting workers and the appliance itself.
- Never operate the appliance, removing, modifying or tampering with the guards, protection or safety devices.
- Do not make any modifications to the parts supplied with the appliance.
- Several illustrations in the manual show the appliance, or parts of it, without guards or with guards removed. This is purely for explanatory purposes. Do not use the appliance without the guards or with the protection devices deactivated.













Disconnect the appliance from the power supply before carrying out any installation, assembly, cleaning or maintenance procedure.

- Do not remove, tamper with or make illegible the CE marking, the safety, danger and instruction signs and labels on the appliance.
- The A-weighted emission sound pressure level does not exceed 70 dB(A).
- The following operations have to be carried out by specialised authorised personnel or Customer Care Service provided with all the appropriate personal protection equipment (A.3 *Personal protection equipment*), tools, utensils and ancillary means, who can ask the manufacturer to supply a servicing manual:
  - Installation and assembly
  - Positioning
  - Electrical connection
  - Appliance cleaning, repair and extraordinary maintenance
  - Appliance disposal
  - Work on electrical equipment

## A.3 Personal protection equipment

Summary table of the Personal Protection Equipment (PPE) to be used during the various stages of the appliance's service life.

Stage	Protective garments 	Safety footwear 	Gloves 	Glasses 	Safety helmet 
Transport	—	●	○	—	○
Handling	●	●	○	—	—
Unpacking	○	●	○	—	—
Installation	○	●	● <sup>1</sup>	—	—
Normal use	●	●	● <sup>2</sup>	○	—
Adjustments	○	●	—	—	—
Routine cleaning	○	●	● <sup>1-3</sup>	○	—

Stage	Protective garments 	Safety footwear 	Gloves 	Glasses 	Safety helmet 
Extraordinary cleaning	○	●	● <sup>1-3</sup>	○	—
Maintenance	○	●	○	—	—
Dismantling	○	●	○	○	—
Scrapping	○	●	○	○	—
<b>Key:</b>					
●	<b>PPE REQUIRED</b>				
○	<b>PPE AVAILABLE OR TO BE USED IF NECESSARY</b>				
—	<b>PPE NOT REQUIRED</b>				

1. During these operations, gloves must be cut-resistant. Failure to use the personal protection equipment by operators, specialized personnel or users can involve exposure to damage to health (depending on the model).
2. During these operations, gloves must be heatproof and suitable for contact with water and the substances used (refer to the safety data sheet of the substances used for the information regarding the required PPE). Failure to use the personal protection equipment by operators, specialised personnel or users can involve exposure to chemical risk and cause possible damage to health (depending on the model).
3. During these operations, gloves must be suitable for contact with chemical substances used (refer to the safety data sheet of the substances used for information regarding the required PPE). Failure to use the personal protection equipment by operators, specialized personnel or users can involve exposure to chemical risk and cause possible damage to health (depending on the model).

## A.4 Protection devices installed on the appliance

### Guards

The appliance has:

- fixed guards (e.g. casings, covers, side panels, etc.), fixed to the appliance and/or frame with screws or quick-release connectors that can only be removed or opened with tools; therefore the user must not remove or tamper with such devices. The Manufacturer declines any liability for damage due to tampering or their non-use;
- interlocked movable guards (door) for access inside the appliance;
- appliance electrical equipment access panels or doors, made from hinged panels openable with tools. The panel or the door must not be opened when the appliance is connected to the power supply.




### Safety devices




The appliance has:

- interlocks on the door(s) giving access to inside the appliance;
- emergency switch push buttons and stops must be installed on the rack handling tables in case the racks exceed their travel.



## A.5 Safety signs to be placed on the appliance or near its area

Prohibition	Meaning
	do not oil, lubricate, repair and adjust moving parts
	do not remove the safety devices
	do not use water to extinguish fires (placed on electrical parts)

Danger	Meaning
	danger of crushing hands
	caution hot surface
	danger of electrocution (shown on electrical parts with indication of voltage)

## A.6 Transport, handling and storage

- Transport (i.e. transfer of the appliance from one place to another) and handling (i.e. transfer inside workplaces) must occur with the use of special and adequate means.
- Please refer to indications on packaging for stackability during transport, handling and storage.
- Do not stand under suspended loads during loading or unloading operations. Unauthorized personnel must not enter the work area.
- The weight of the appliance alone is not sufficient to keep it steady.
- For appliance handling, do not lift and anchor it to movable or weak parts such as: casings, electrical raceways, pneumatic parts, etc.
- Do not push or pull the appliance to move it, as it may tip over. Use proper tool to lift the appliance.
- Arrange a suitable area with flat floor for appliance unloading and storage operations.
- Appliance transport, handling, shifting and storage personnel must be adequately instructed and trained regarding the safely use of lifting systems and personal protection equipment suitable for the type of operation carried out.
- When removing the anchoring systems, make sure the stability of the appliance parts does not depend on the anchoring and, therefore, that this operation does not cause the load to fall off the vehicle. Before unloading the appliance components, make sure all the anchoring systems are removed.

## A.7 Installation and assembly

- The operations described must be carried out in compliance with the current safety regulations and provisions in force in the country of use.

- Do not install a damaged appliance. Any missing or faulty parts must be replaced with original parts.
- Make sure that the floor where you install the appliance is flat, stable, heat resistant and clean.
- If available, make sure to install the accessory to fix the appliance to the floor or on the support. Refer to E *INSTALLATION AND ASSEMBLY* for the instructions.
- Use a ladder with suitable protection for work on appliances with high accessibility.
- Do not install the appliance over 2000 meters above sea level.
- The appliance is not suitable for installation outdoors and/or in places exposed to atmospheric agents (rain, direct sunlight, etc.).

## A.8 Electrical connection

- The power supply system must be suitable for the rated current of the connected appliance; the connection must be carried out in compliance with the regulations and provisions in force in the country of use.
- The information regarding the appliance power supply voltage and frequency is given on the data plate.
- If the power cable is damaged or too short, it must be replaced by the Customer Care Service or in any case by specialised personnel, in order to prevent any risk.
- The manufacturer declines any liability for damage or injury resulting from breach of the above rules or non-compliance with the electrical safety regulations in force in the country where the appliance is used.
- The appliance must be correctly earthed.



### NOTE!

The manufacturer is not responsible for the consequences of an inadequate earthing system.

- If present, connected the appliance to the equipotential protection circuit  $\nabla$ .
- To protect the power supply of the appliance against short circuits and/or overloads, install a thermal fuse or a suitable automatic thermal magnetic circuit breaker, ADS (Automatic Disconnection of Supply).
- To protect the power supply of the appliance against current leakages, install between the power cable and the electric line, a suitable high-sensitivity manual-reset differential omnipolar thermal-magnetic switch with contact gap enabling complete disconnection in category III overvoltage conditions and complying with the current regulations.
- For protection against indirect contacts (depending on the type of supply provided for and connection of earths to the equipotential protection circuit  $\nabla$ ) refer to point 6.3.3 of EN 60204-1 (IEC 60204-1) with the use of protection devices that ensure automatic cut-off of the supply in case of isolation fault in the TN or TT systems or, for IT systems, the use of isolation controllers or differential current protection devices to activate automatic power disconnection (an isolation controller must be provided for indicating a possible first earth fault of a live part, unless a protection device is supplied for switching off the power in case of a such a fault. This device must activate an acoustic and/or visual signal which must continue for the entire duration of the fault). For example: in a TT system, a residual current device with cut-in current (e.g. 30 mA) coordinated with the earthing system of the building where the appliance is located must be installed ahead of the supply.
- For all additional modules installed later, make sure to:
  - move the emergency switch at the ends of the equipment;
  - check that the power cable supply is properly sized.

## A.9 Appliance cleaning

- Do not touch the appliance with wet hands or feet or when barefoot.
- Use a ladder with suitable protection for work on appliances with high accessibility.
- Put the appliance in safe conditions before starting any cleaning operation.
- Respect the requirements for the various routine and extraordinary maintenance operations. Non-compliance with the instructions can create risks for personnel.
- Do not spray water or use water jets, steam cleaner or high pressure cleaner.

## A.10 Parts and accessories

Use only original accessories and/or spare parts. Failure to use original accessories and/or spare parts will invalidate the original manufacturer warranty and may render the appliance not compliant with the safety standard.

## A.11 Appliance disposal

- Make the appliance unusable by removing the power cable and any compartment closing devices, to prevent the possibility of someone becoming trapped inside.

## B GENERAL INFORMATION

### B.1 Introduction

This manual contains information relevant to various appliances. The product images in this guide are only an example.

The drawings and diagrams given in the manual are not in scale. They supplement the written information with an outline, but are not intended to be a detailed representation of the appliance supplied.

The numerical values given on the appliance installation diagrams refer to measurements in millimeters and/or inches.

### B.2 Definitions

Listed below are the definitions of the main terms used in the manual. It is advisable to read them carefully before use.



Operator	appliance installation, adjustment, use, maintenance, cleaning, repair and transport personnel.
Manufacturer	Electrolux Professional SpA or any other service centre authorised by Electrolux Professional SpA.
Operator for normal appliance use	an operator who has been informed and trained regarding the tasks and hazards involved in normal appliance use.
Customer Care service or specialised personnel	an operator instructed/trained by the Manufacturer and who, based on his professional and specific training, experience and knowledge of the accident-prevention regulations, is able to appraise the operations to be carried out on the appliance and recognise and prevent any risks. His professionalism covers the mechanical, electrotechnical and electronics fields etc.
Danger	source of possible injury or harm to health.
Hazardous situation	any situation where an operator is exposed to one or more hazards.
Risk	a combination of probabilities and risks of injury or harm to health in a hazardous situation.
Protection devices	safety measures consisting of the use of specific technical means (guards and safety devices) for protecting operators against risks.
Guard	an element of a appliance used in a specific way to provide protection by means of a physical barrier.

Safety device	a device (other than a guard) that eliminates or reduces the risk; it can be used alone or in combination with a guard.
Customer	the person who purchased the appliance and/or who manages and uses it (e. g. company, entrepreneur, firm).
Electrocution	an accidental discharge of electric current on a human body.
Emergency stop device	a group of components intended for the emergency stop function; the device is activated with a single action and prevents or reduces damage to persons/appliances/property/animals.

### B.3 Appliance and manufacturer's identification data


The data plate gives the product identification and technical data.

An example of the marking or data plate on the appliance is given below:

Made in EU		2017	
F.Mod.	_____	Comm.Model	
PNC	_____	Ser.Nr.	
EL	_____ V	_____ Hz	_____ kW
Type ref.	_____		
		IPX5	
			
Electrolux Professional spa - Viale Treviso, 15 - 33170 Pordenone (Italy)			

The meaning of the various information given on it is listed below:

F.Mod.	factory description of product
Comm.Mod.	commercial description
PNC	production number code
Ser.No.	serial number
Type ref.	certification group of the appliance
V	power supply voltage
Hz	power supply frequency
kW	power input
	<ul style="list-style-type: none"> <li>• max.</li> <li>• nominal</li> <li>• min.</li> </ul>

	WEEE symbol
IPX5	dust and water protection rating

## B.4 Data plate position

The data plate is located on the front panel of the equipment.



### IMPORTANT

Refer to the data given on the appliance's data plate for relations with the Customer Care service or the Manufacturer.

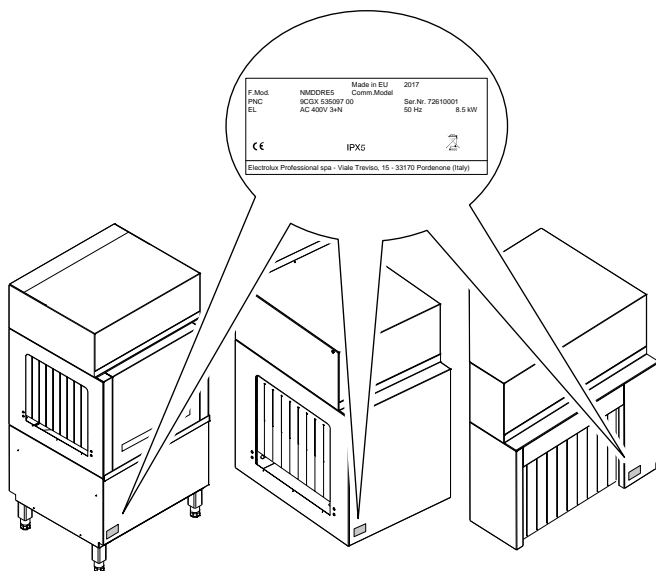


Fig. 1 Right to left appliance

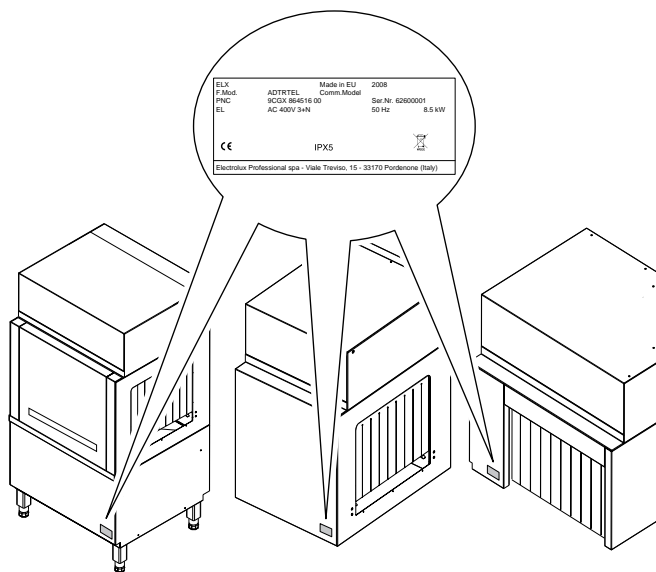


Fig. 2 Left to right appliance

## B.5 Additional indications

The drawings and diagrams given in the manual are not in scale. They supplement the written information with an outline, but are not intended to be a detailed representation of the machine supplied.

The numerical values given on the machine installation diagrams refer to measurements in millimeters and/or inches.

Conventionally, the appliances are depicted with the rack feed side on the right ("R"); appliances with left rack feed ("L") are depicted only if necessary, in which case the side will be expressly specified.

### B.5.1 How to interpret the factory description

The factory description on the data plate has the following meaning:

(1)	(2)	(3)	(4)	(5)
N	C	D	E	H

	Description	Possible variables
(1)	Mark	N = To brand
(2)	Module Length	M = 22"; L = 35"; C = corner 90°
(3)	Type of module	Dryer
(4)	Supply	E = Electric
(5)	Functional level	H = High performance F = Double fans

## B.6 Responsibility

The Manufacturer declines any liability for damage and malfunctioning caused by:

- non-compliance with the instructions contained in this manual;
- repairs not carried out in a workmanlike fashion, and replacements with parts different from those specified in the spare parts catalogue (the fitting and use of non-original spare parts and accessories can negatively affect appliance operation and invalidates the original manufacturer warranty);
- operations carried out by non-specialised personnel;
- unauthorized modifications or operations;
- missing, lack or inadequate maintenance;
- improper appliance use;
- unforeseeable extraordinary events;
- use of the appliance by uninformed and / or untrained personnel;
- non-application of the current provisions in the country of use, concerning safety, hygiene and health in the workplace.

The Manufacturer declines any liability for damage caused by arbitrary modifications and conversions carried out by the user or the Customer.

The employer, workplace manager or service technician are responsible for identifying and choosing adequate and suitable personal protection equipment to be worn by operators, in compliance with regulations in force in the country of use.

The Manufacturer declines any liability for inaccuracies contained in the manual, if due to printing or translation errors.

Any supplements to the installation, use and maintenance manual the Customer receives from the Manufacturer will form an integral part of the manual and therefore must be kept together with it.

## B.7 Copyright

This manual is intended solely for consultation by the operator and can only be given to third parties with the permission of Electrolux Professional SpA company.

## B.8 Keeping the manual

The manual must be carefully kept for the entire life of the appliance, until scrapping. The manual must stay with the appliance in case of transfer, sale, hire, granting of use or leasing.

## B.9 Recipients of the manual

This manual is intended for:

- the carrier and handling personnel;
- installation and commissioning personnel;
- specialised personnel - Customer Care service (see service manual).

## B.10 Coupling to the rack-type dishwasher

The Manufacturer provides for the possibility of equipping the rack-type dishwashers included in the Electrolux Professional

SpA product catalogue with the drying tunnel systems referred to in this manual, with the possibility of obtaining various configurations.

The “CE” Declaration of conformity coming with the rack-type dishwasher also provides for these configurations.

The Manufacturer provides for the possibility of connecting the drying tunnel to rack-type dishwashers made exclusively by Electrolux Professional SpA. The Manufacturer does not provide for the possibility of making other types of product combinations (to create a series of machines arranged and controlled in an integral way) with systems different from that described above. The Manufacturer declines any liability for damage caused by arbitrary modifications and conversions carried out by the user or third parties. For requests or for further information, contact Electrolux Professional S.p.A. - Via Treviso, 15 - 33170 Pordenone - Italy.

### B.11 Disposal of packing

The packing must be disposed of in compliance with the current regulations in the country where the appliance is used. All the packing materials are environmentally friendly.

They can be safely kept, recycled, or burned in an appropriate waste incineration plant. Recyclable plastic parts are marked as follows:



#### Polyethylene

- Outer wrapping
- Instructions bag



#### Polypropylene

- Straps



#### Polystyrene foam

- Corner protectors

The parts in wood and cardboard can be disposed of, respecting the current regulations in the country where the appliance is used.

## C TECHNICAL DATA

### C.1 Main technical characteristics

Model		DT 35"	DT 35" DOUBLE FLOW	DT 22"	DT 90°
Power supply		Electric	Electric	Electric	Electric
Power supply voltage	V	380 - 415 3N	380 - 415 3N	380 - 415 3N	380 - 415 3N
Frequency	Hz	50	50	50	50
Max. power. absorbed	kW	8.5	8.6	4.4	8.5
Temperature	°C	80	80	80	80
Protection rating		IPX5	IPX5	IPX5	IPX5
Net weight	kg	125	137	80 <sup>1</sup>	65
Air flow	m <sup>3</sup> /h	605	605 (upper) 440 (lower)	540	1100
Ventilation motor power	kW	0.15	0.15 (upper) 0.12 (lower)	0.12	0.15
Heating element	kW	8.25	8.25	4.13	8.25
Legal noise level Leq	dB(A)	LpA:62dB - KpA:1.5dB <sup>2</sup>	LpA:62dB - KpA:1.5dB <sup>2</sup>	LpA:62dB - KpA:1.5dB <sup>2</sup>	LpA:62dB - KpA:1.5dB <sup>2</sup>

1. For model without door 75 kg.

2. The noise emission values have been obtained according to EN ISO 11204.

### C.2 Characteristics of power supply

The AC power supply to the machine must meet the following conditions:

- max. voltage variation  $\pm 6\%$
- max. frequency variation  $\pm 1\%$  continuous  $\pm 2\%$  for a short period.

Harmonic distortion, unbalanced three-phase supply voltage, voltage pulses, interruption, dips and the other electric characteristics must respect the provisions of point 4.3.2 of Standard EN 60204-1 (IEC 60204-1).

## D TRANSPORT, HANDLING AND STORAGE



### WARNING

Refer to “Safety Information”.

### D.1 Introduction

Transport (i. e. transfer of the appliance from one place to another) and handling (i. e. transfer inside workplaces) must occur with the use of special and adequate means.



## CAUTION

The appliance must only be transported, handled and stored by specialised personnel, who must have:

- specific technical training and experience in the use of lifting systems;
- knowledge of the safety regulations and applicable laws in the relevant sectors;
- knowledge of the general safety rules;
- personal protection equipment suitable for the type of operation carried out;
- the ability to recognize and avoid any possible hazard.



### IMPORTANT

Immediately check for any damage caused during transport. Inspect the packaging before and after unloading.

## D.2 Handling

Arrange a suitable area with flat floor for appliance unloading and storage operations.

### D.2.1 Procedures for handling operations

#### Before lifting:

- send all operators to a safe position and prevent persons from entering the handling area;
- make sure the load is stable;
- make sure no material can fall during lifting. Manoeuvre vertically in order to avoid impacts;
- handle the appliance, keeping it at minimum height from the ground.

#### For correct and safe lifting operations:

- use the type of equipment most suitable for characteristics and capacity (e.g. electric pallet truck or lift truck);
- cover sharp edges;
- check the forks and lifting procedures according to the instructions given on the packing.

### D.2.2 Shifting

#### The operator must:

- have a general view of the path to be followed;
- stop the manoeuvre in case of hazardous situations.

### D.2.3 Placing the load

- Before placing the load, make sure the way is free and that the floor is flat and can take the load.
- Remove the appliance from the wooden pallet, move it to one side, then slide it onto the floor.

## D.3 Storage

The appliance and/or its parts must be stored and protected from damp, in a non-aggressive place, free of vibrations and with room temperatures between -10°C [14°F] and 50°C [122°F].

The place where the appliance is stored must:

- can take the appliance load,
- have a flat support surface to avoid deforming the appliance or damage to the support feet.

## D.4 Customer packaging checks

- The forwarder is responsible for the goods during transport and delivery.
- Make a complaint to the forwarder in case of visible or hidden damage.
- Specify any damage or shortages on the dispatch note.
- The driver must sign the dispatch note: the forwarder can reject the claim if the dispatch note is not signed (the forwarder can provide the necessary form).
- For hidden damage or shortages becoming apparent only after unpacking, request the forwarder for inspection of the goods within and no later than 15 days after delivery.

#### After packaging checks

1. Remove the packaging.  
Take care when unpacking and handling of the appliance to not cause any shocks on itself.
2. Keep all the documentation contained in the packaging.

## E INSTALLATION AND ASSEMBLY



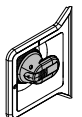
### WARNING

Refer to “*Safety Information*”.

### E.1 Introduction



### WARNING



Make sure that the switch disconnector of the machine is locked in the Off position - “O”.

### E.2 Customer's responsibilities

The tasks and works required of the Customer are:

- check the floor planarity on which the appliance is placed;
- arrange an earthed power socket of suitable capacity for the input specified on the data plate;
- installation of an adequate electrical power supply ahead of the appliance, according to the equipment's technical specifications (*C TECHNICAL DATA* and *C.2 Characteristics of power supply*);
- if present, the equipotential connection  $\nabla$  of the workplace electrical system to the metal structure of the appliance by means of a copper cable of adequate section;

- if present, the water supply and drain connections and other connections as indicated in the technical data table and in the installation diagram;
- arrangement of general workplace lighting to guarantee at least 500 lx according to point 5.2.2 of EN 12464-1 or according to a value established by the current regulations in the country of use;
- the addition of the drying module changes the arrangement of the emergency stops. This arrangement must be re-examined (*E.16 Positioning of emergency switches*).



#### NOTE!

For information regarding the electrical connection, refer to “*A.8 Electrical connection*”.

### E.3 Installation of dryer module on the rack-type dishwasher

The Manufacturer provides for the possibility of connecting the drying tunnel only to rack-type dishwashers included in the Electrolux Professional SpA catalogue.

### E.4 Characteristics of the place of machine installation

This additional module is designed for installation in professional and not domestic-type kitchens (for installation of the entire machine, refer to the rack-type dishwasher instruction manual). For this module, water collection traps/metal grates must be arranged in the floor at the machine discharges (refer

to “Installation diagram”), possibly replaceable with a single water trap sized for a flow rate of at least 3 l/s.

### E.5 Appliance space limits

- A suitable space must be left around the machine (for operations, maintenance, for a correct air exchange, etc.).
- This space must be increased in case of use and/or transfer of other equipment and/or means or if exit routes are necessary inside the workplace.



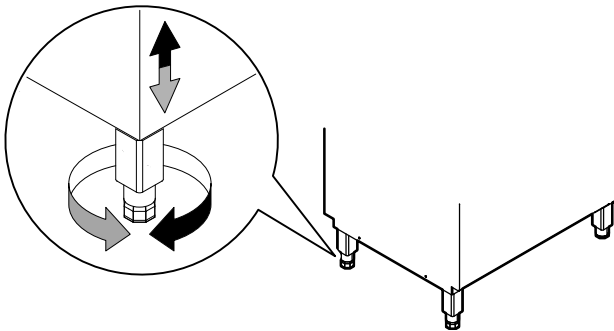
#### CAUTION

- Install the machine at a distance of not less than 50 mm from the wall so as not to affect correct ventilation of internal components.
- For the machine with heat pump, make sure that the distance from the ceiling is not less than 300 mm.

### E.6 Positioning

Unless otherwise agreed, the drying tunnel is supplied in a single unit. The drying tunnel must be taken to the place of installation and the packing base removed only when being installed.

- Position the drying tunnel in the required place.
- Depending on the model, adjust the equipment by turning the special adjustable feet.



- Fix the drying tunnel to the existing dishwasher. The installer must carefully follow the installation instructions.
- Carefully remove the protective film from the outer panels without tearing it, to avoid leaving traces of glue.



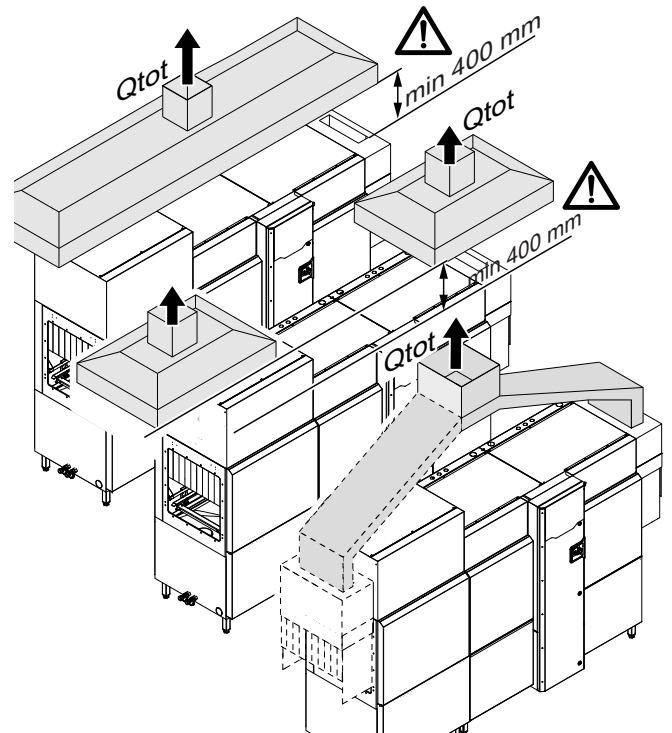
#### CAUTION

The gravity centre of drying tunnel does not coincide with its geometric centre.

### E.7 Extraction hood

Make sure to position the possible extraction hood at a distance of not less than 400 mm from the machine so as not to compromise machine operation.

The extractor hood is installed to remove the steam emitted by the machine. The hood air delivery must be calculated taking into account the machine model, the type of installation and the work environment where installed.



Model	Qtot (VDI2052)
...MR15....E	1500 m <sup>3</sup> /h
...MR20....E	1700 m <sup>3</sup> /h
...MR25....E	1900 m <sup>3</sup> /h
...MR30....E	2000 m <sup>3</sup> /h

### E.8 Mechanical connections



#### WARNING

Make sure that the main switch of the machine is locked in the Off position - “O”.



#### IMPORTANT

The drying tunnels 90° and 22” must be lifted and positioned by two people: accident risk due to excessive weight.



#### CAUTION

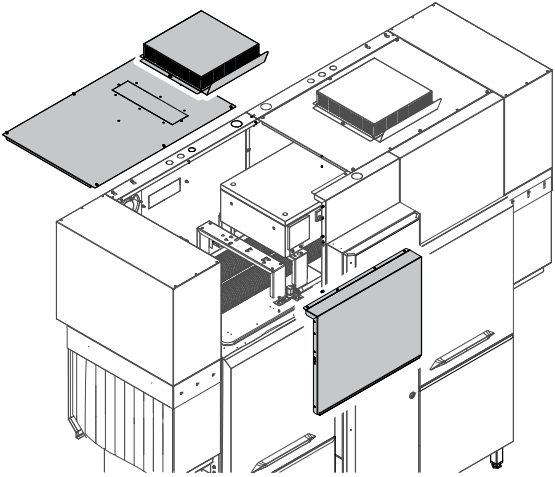
Refer to “A.3 Personal protection equipment” for suitable personal protection equipment. Use gloves and other personal protection equipment according to the risks present (e.g. glasses in case of risk of flying splinters during drilling).

#### E.8.1 Additional instructions only for heat pump dishwasher

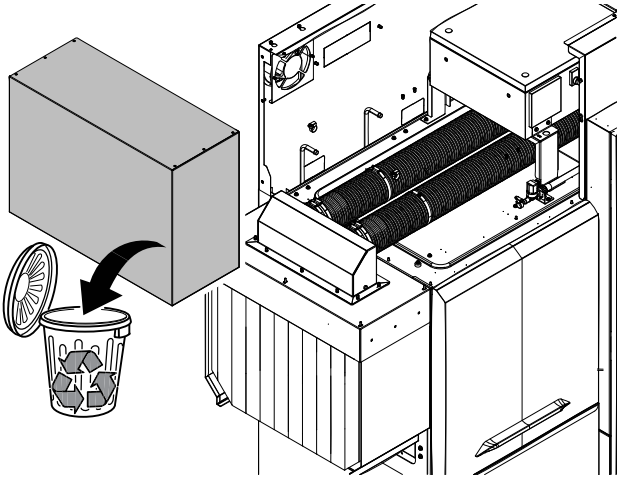
Before installing the drying tunnel into heat pump machine, you have to move the air conveyor on the top panel.



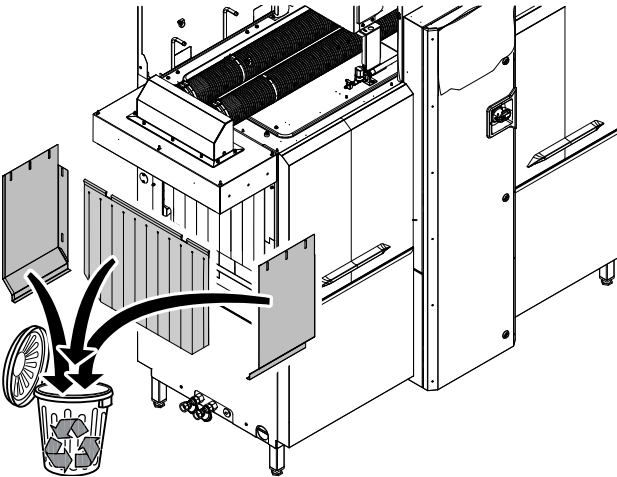
1. Remove the fan grid guard, the top and the front panels from the machine.



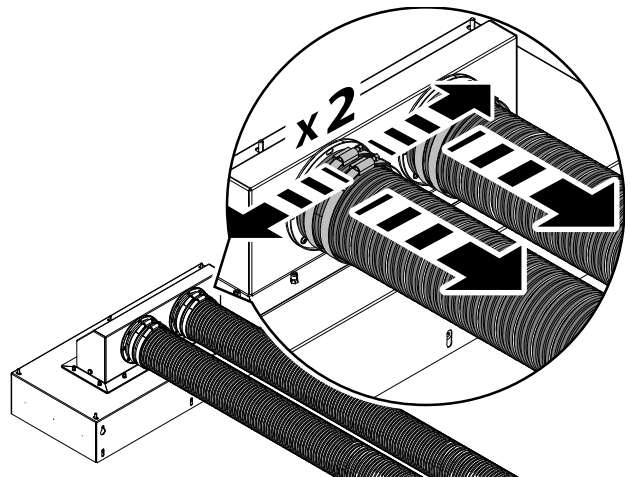
2. Remove the upper part of the outlet hood.



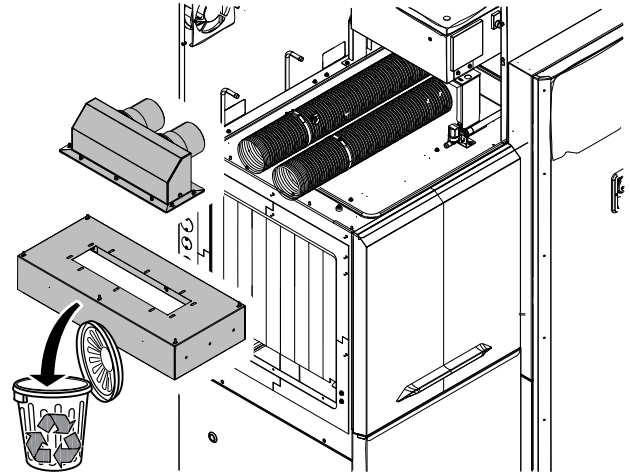
3. Remove the curtain and the side panel of the hood.



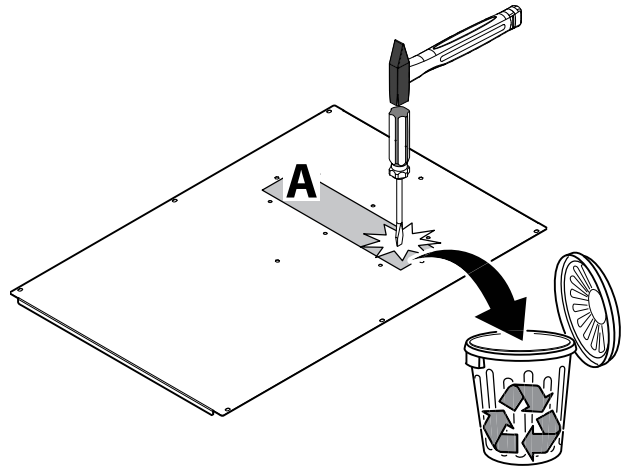
4. Unscrew the hose clamps and remove the suction hoses of the hot air from the air conveyor.



5. Remove the air conveyor from its support and the support from the machine.

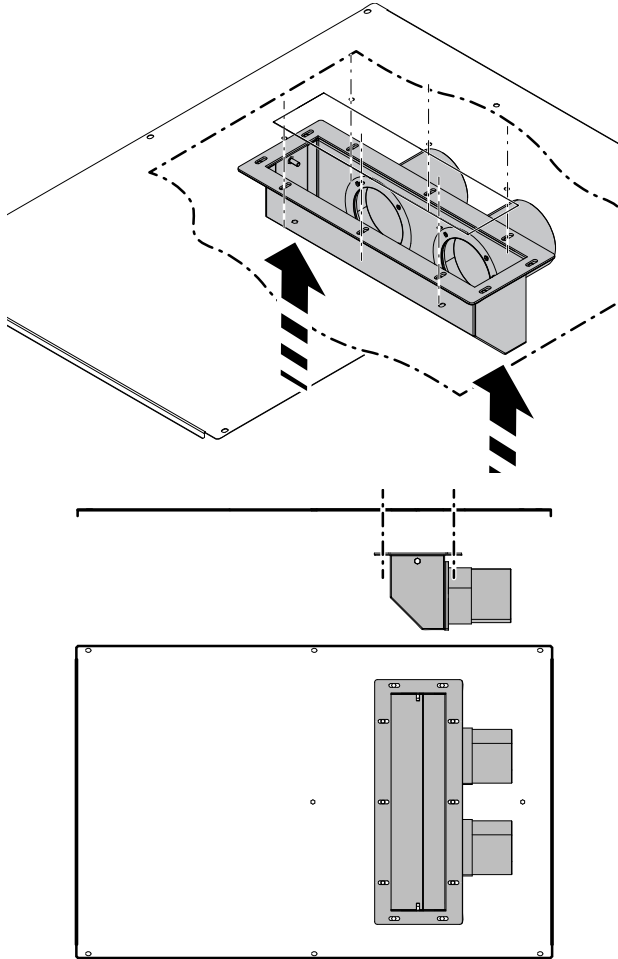


6. Remove the detail "A" from the top panel.

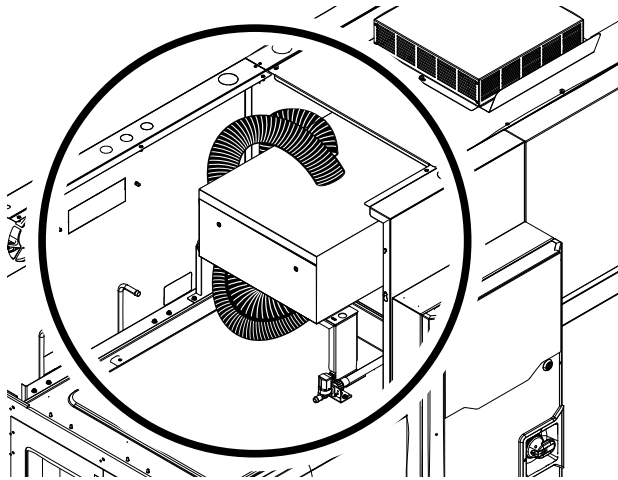




7. Refit the air conveyor on the top panel.

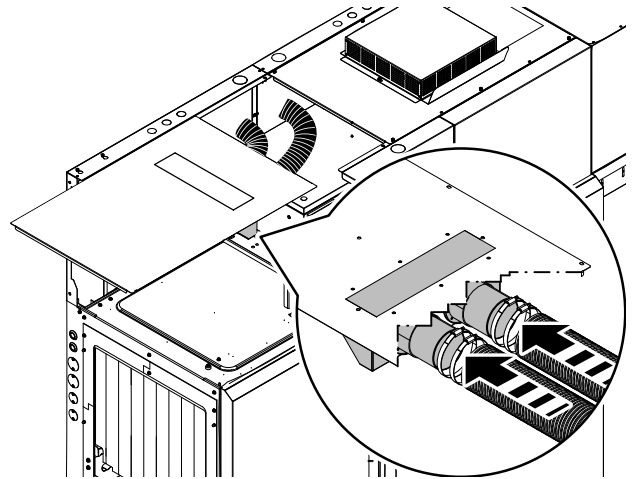


8. Move the air suction hoses in the new position. See the below picture.

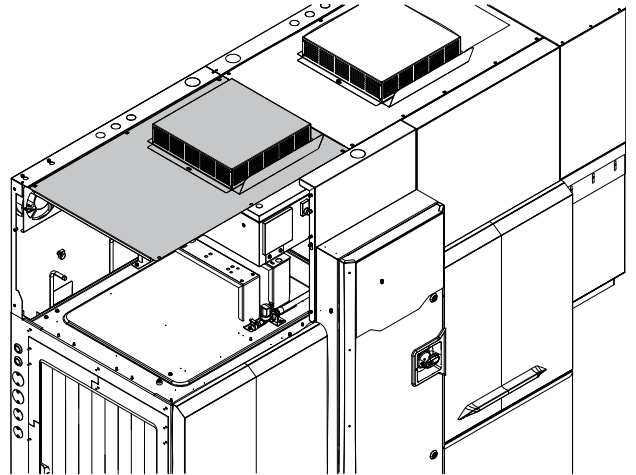


**CAUTION**  
Make sure not to damage the flexible hoses. This can compromise correct appliance operation.

9. Reconnect the air suction hoses and fix them with their clamps.



10. Refit the top panel and the fan grid guard on the machine.



**IMPORTANT**

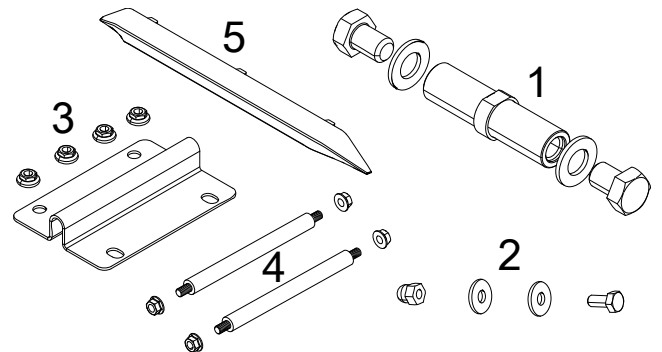
After this operations you can install the tunnel dryer.

**E.8.2 Drying tunnel 35"**



**NOTE!**

If you operate in a heat pump dishwasher, make sure to carry out the instructions of the section E.8.1 *Additional instructions only for heat pump dishwasher*, before proceeding the installation.



**Joining kit list**

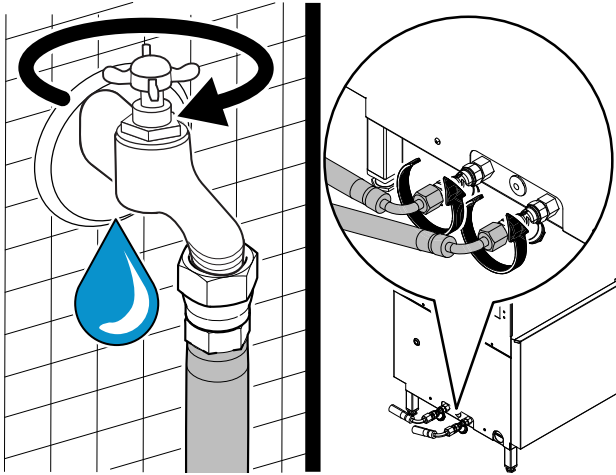
1	4 special spacer, 4 screws (M14x20mm), 4 washers (ø=15x28mm)
2	18 screws (M6x14mm), 36 washers (ø=6x18mm), 18 cap nuts (ø=6mm)
3	2 connection bracket and 8 flange nuts (ø=5mm)
4	Pins and nuts to fix the slide of the dryer to the slide of the machine
5	Handle



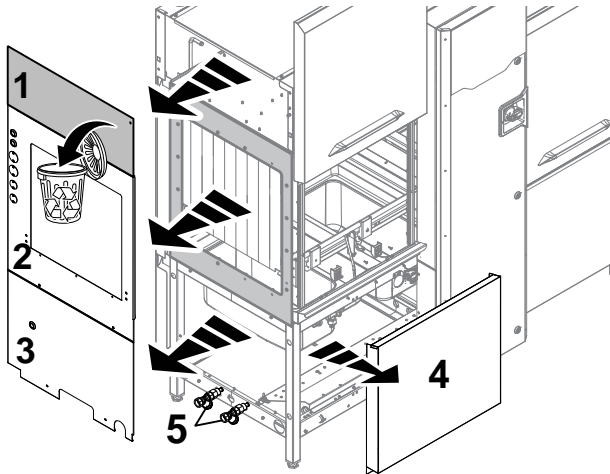
**NOTE!**

Depending on the model, install the handle at the end of all operations.

1. Close the water inlet taps (cold-hot) and unscrew the water inlet hoses from the machine.



2. Remove the side panels "1-2-3" from the machine. Dispose of panel "1" at the end of installation, it is not necessary anymore.
3. Remove the front panels "4" and remove the water inlet connections (cold-hot) "5" from the machine.

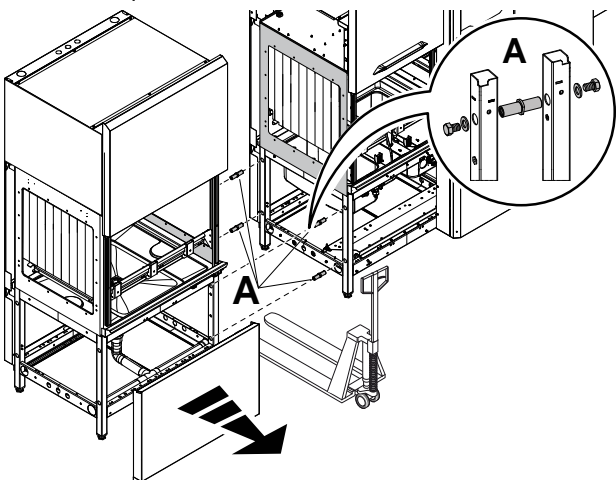


4. Remove the front panel and place the drying tunnel near the machine and join it with the special spacers with the respective screws and washers (see detail "A"). Join also the drain hose of the drying module with the machine one.

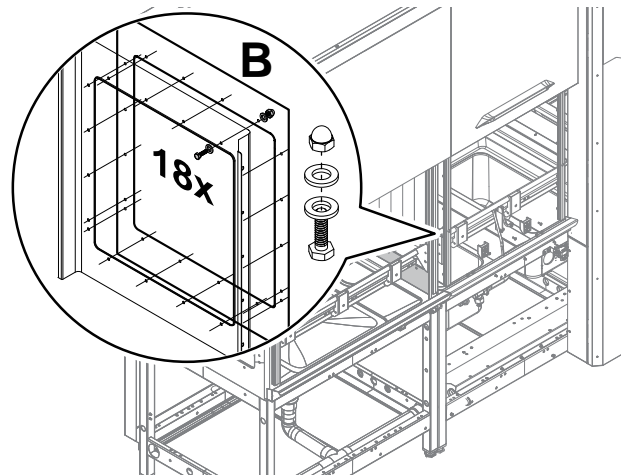


**IMPORTANT**

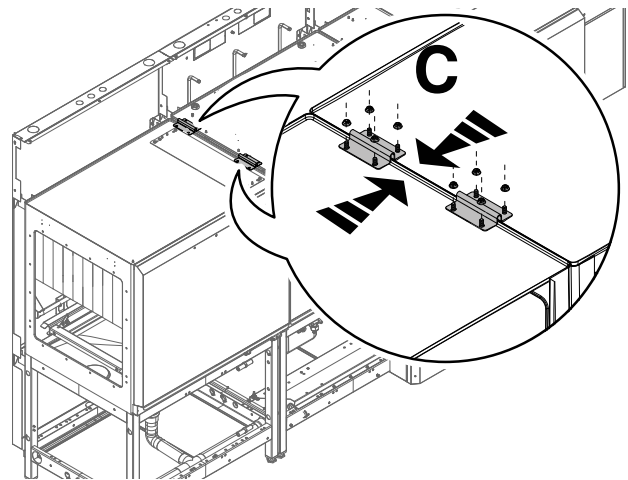
Make sure the modules are correctly aligned. If necessary use a pallet trucks to make easy this operation.



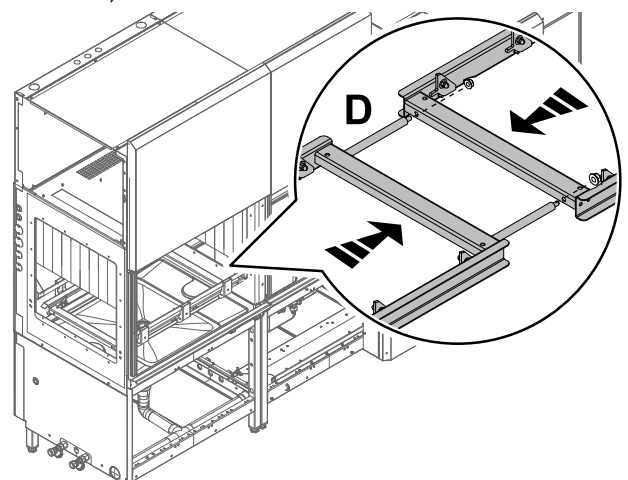
5. Join the module openings with the bolts, washer and nuts (see detail Figure B).



6. Join the roofs of the two modules, fitting the connection bracket on the  $\varnothing=5$  mm stud bolts (see detail Figure C). Firmly secure the brackets with  $\varnothing=5$  mm flange nuts.

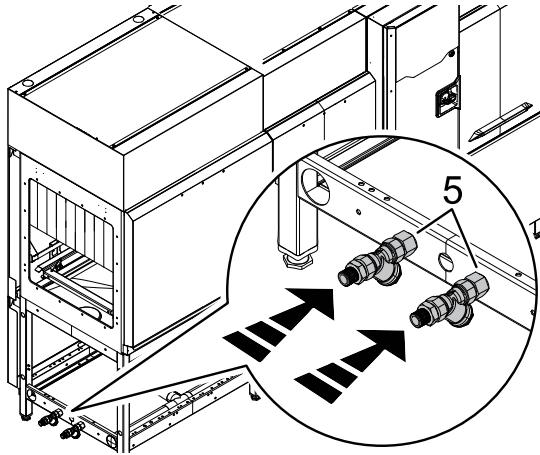


7. Fix the slide of the dryer to the slide of the machine (see detail "D").

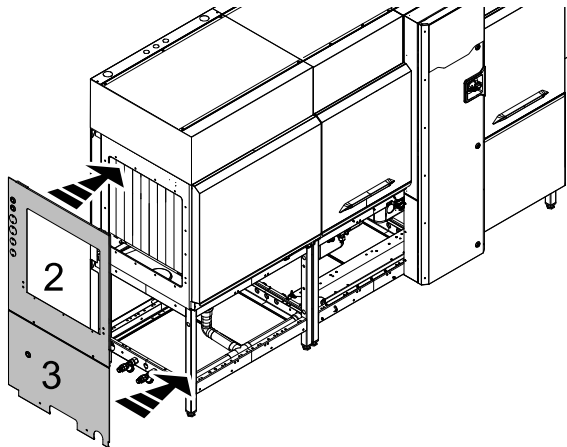


8. Refit:

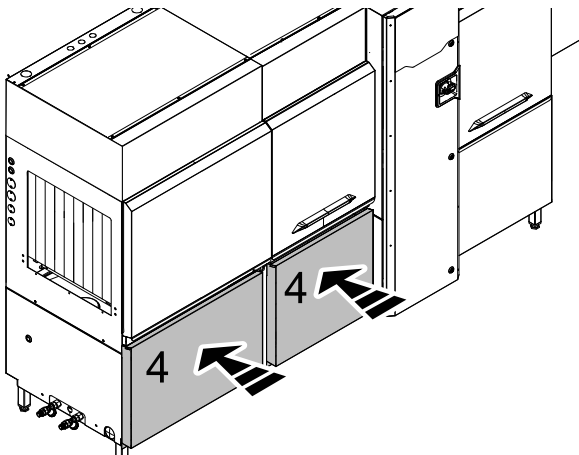
- the water inlet connections (cold-hot) "5" in the drying tunnel;



- the side panels "2" and "3" in the drying tunnel;



- the front panels "4";



- the water inlet hoses (cold-hot).

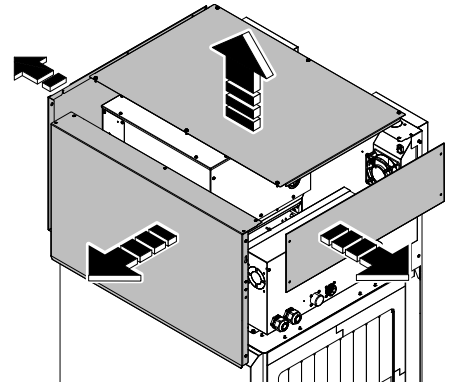
### E.8.3 Install the 35" drying tunnel in a left to right appliance



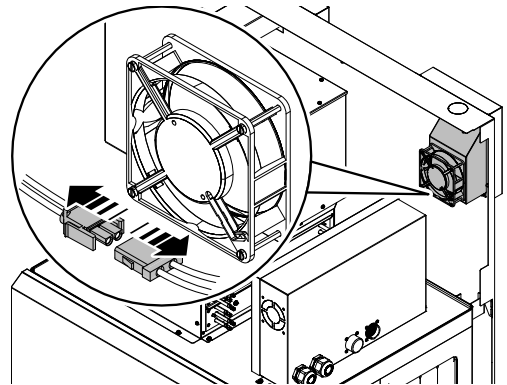
#### CAUTION

Before to start the installation, it is necessary reverse the position of the below components.

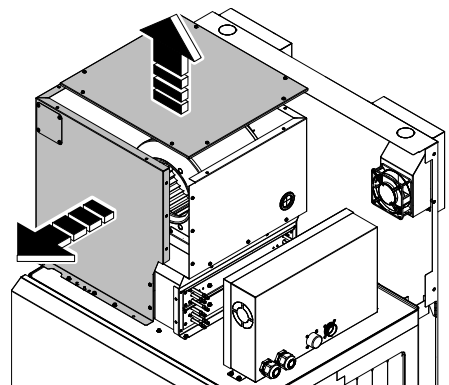
- To access the appliance easily, remove these panels:
  - top;
  - upper front;
  - sides.



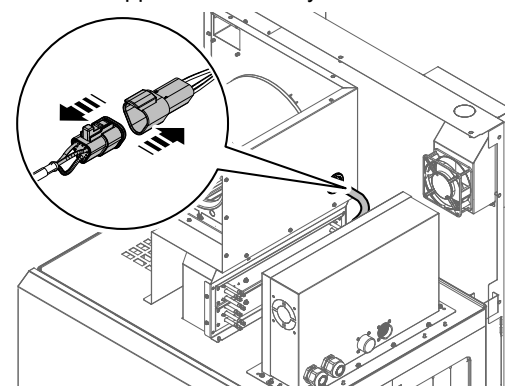
- Disconnect the rear cooling fan.



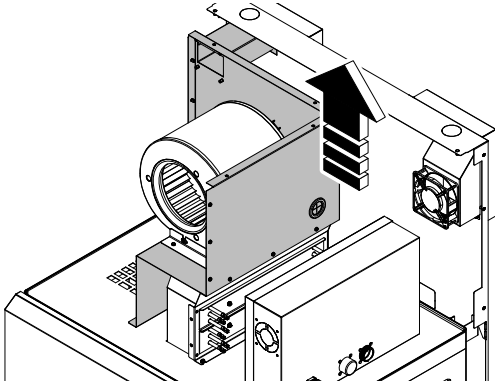
- Remove top and left side panel.



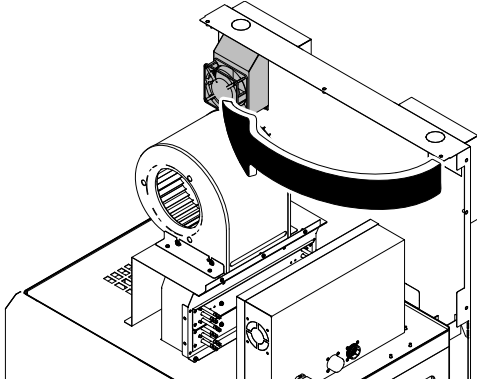
- Disconnect the upper fan assembly from the electric box.



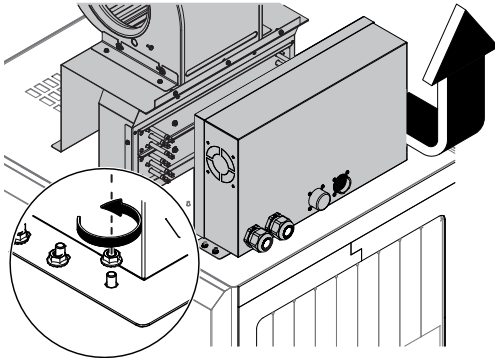
- Remove right side panel.



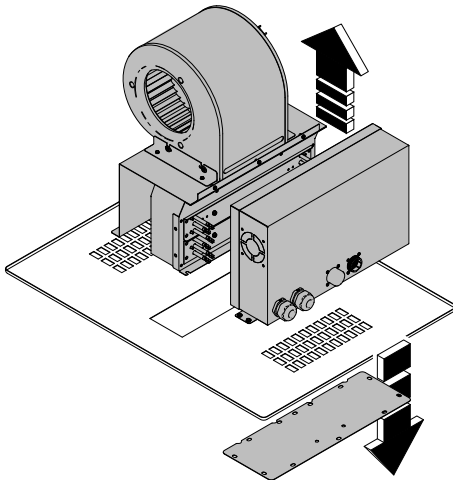
- Reverse the position of the cooling fan.



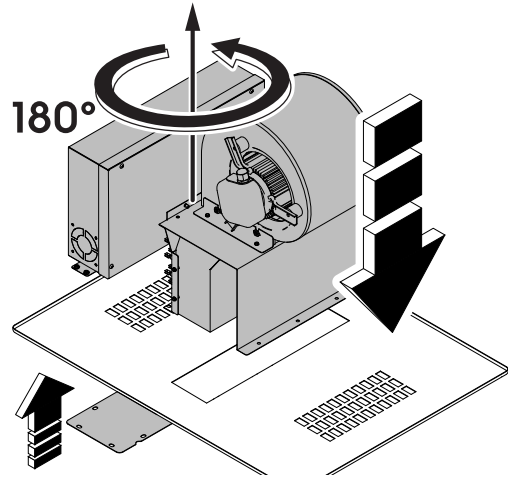
- Unscrew all required nuts and remove the electrical box and the upper fan assembly.



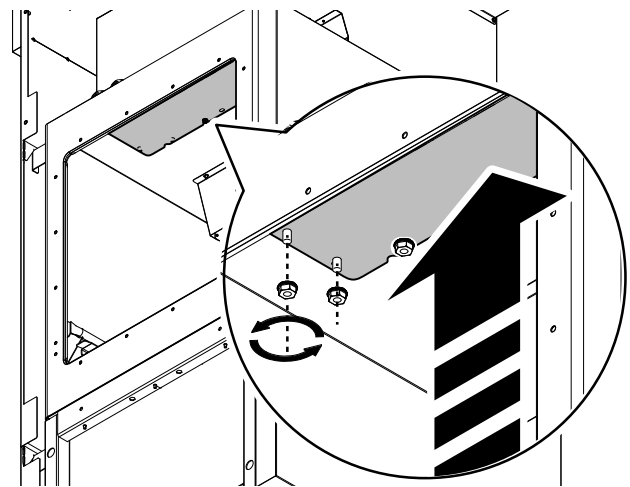
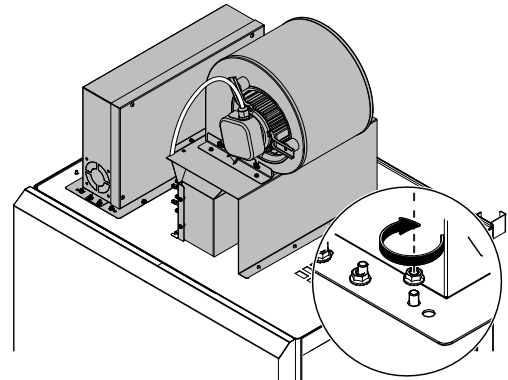
- From the inner of the appliance, unscrew all required nuts and remove the plate just below the electric box.



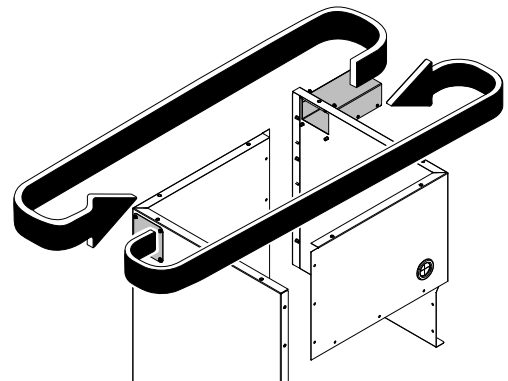
- Rotate the 2 assemblies (hot air blower and electric box) and the plate by 180°.



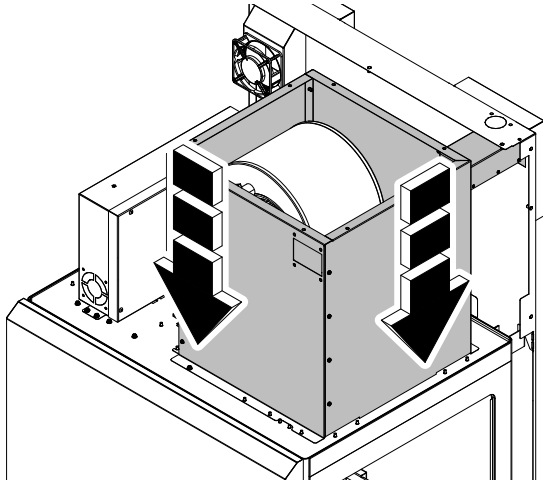
- Refit the electrical box, the upper fan assembly and the plate.



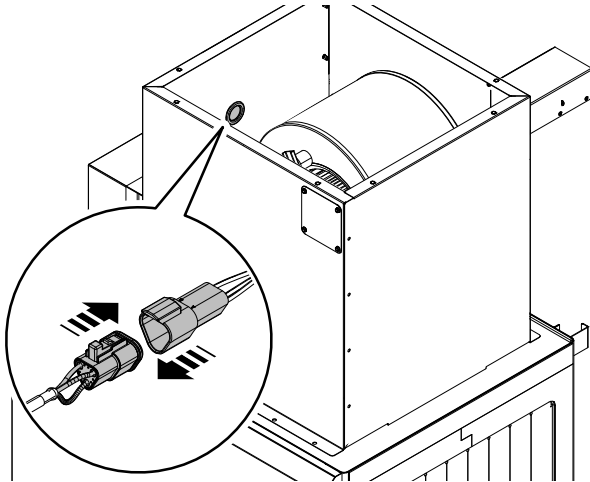
- Before to refit the side panels, reverse the position of the air duct and the cap of the side panel.



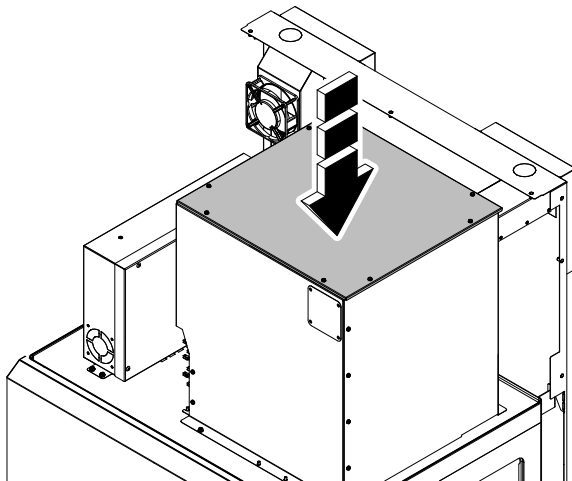
- Refit the side panels.



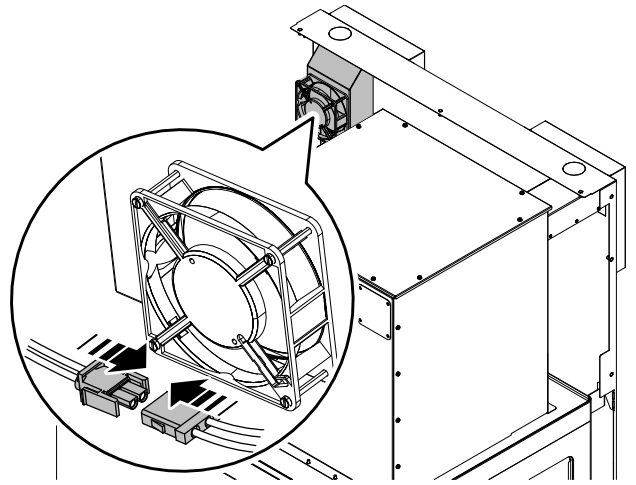
- Reconnect the upper fan assembly to the electric box.



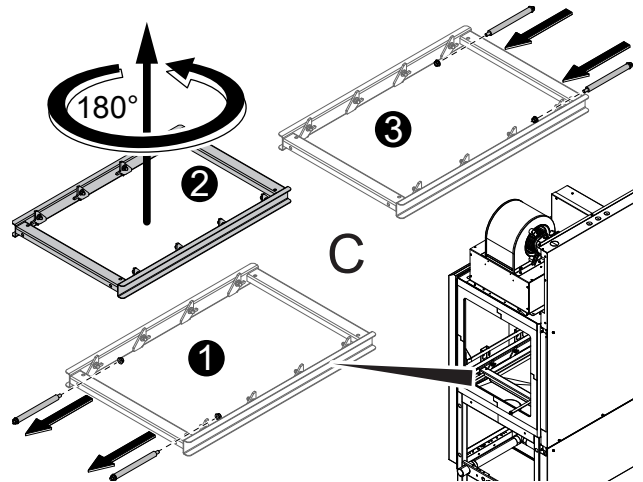
- Refit top panel.



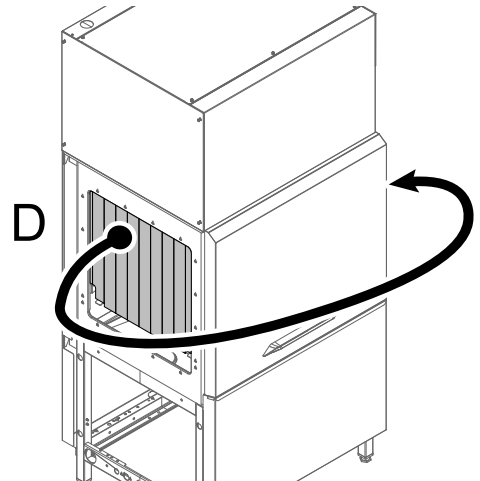
- Reconnect the rear cooling fan.



- Rotate the slide for baskets by 180°.



- Reverse the curtain position.



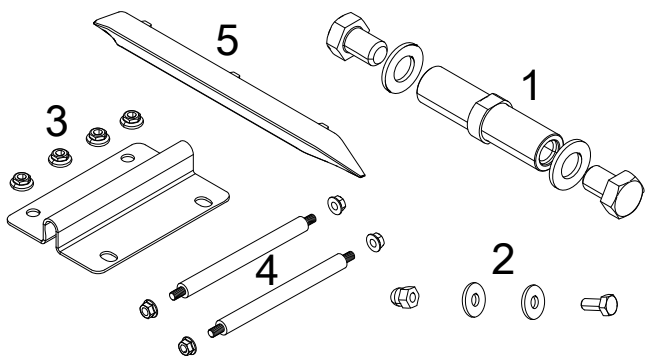
**NOTE!**  
To complete the installation refer to chapter E.8.2 *Drying tunnel 35"*.

#### E.8.4 Double flow drying tunnel 35"



**NOTE!**  
If you operate in a heat pump dishwasher, make sure to carry out the instructions of the section E.8.1 *Additional instructions only for heat pump dishwasher*, before proceeding the installation.



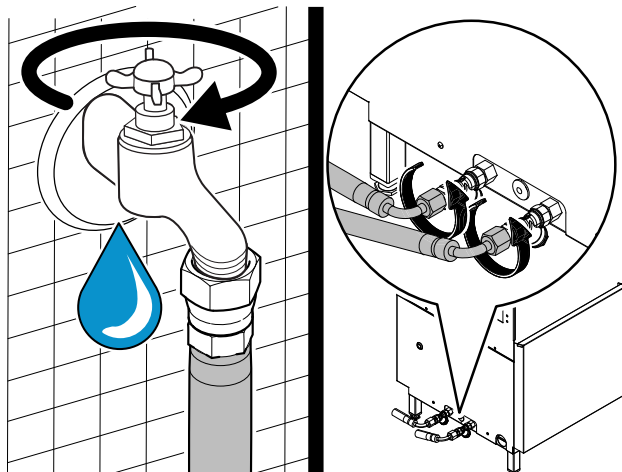


**Joining kit list**

1	4 special spacer, 4 screws (M14x20mm), 4 washers (ø=15x28mm)
2	18 screws (M6x14mm), 36 washers (ø=6x18mm), 18 cap nuts (ø=6mm)
3	2 connection bracket and 8 flange nuts (ø=5mm)
4	Pins and nuts to fix the slide of the dryer to the slide of the machine
5	Handle

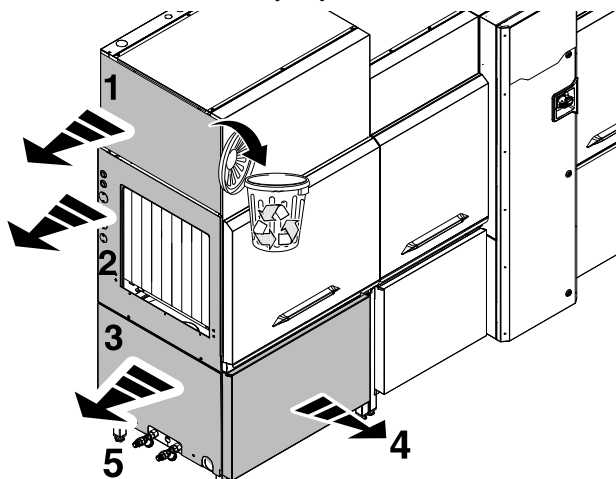
**i** NOTE!  
Depending on the model, install the handle at the end of all operations.

1. Close the water inlet taps (cold-hot) and unscrew the water inlet hoses from the machine.



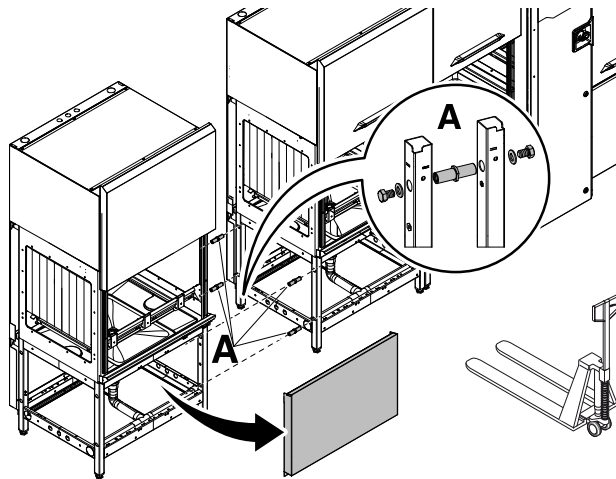
2. Remove from the 35" standard drying tunnel:
  - the side panels "1-2-3";
  - the lower front panels "4";
  - the water inlet connections (cold-hot) "5"

**i** NOTE!  
Dispose of panel "1" at the end of installation, it is not necessary anymore.

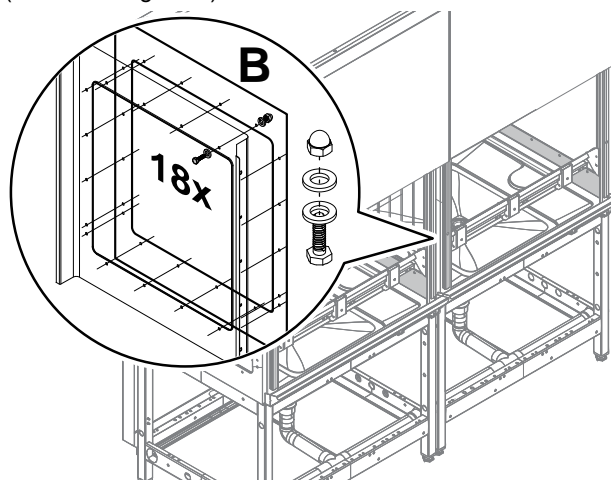


3. Remove the lower front panel and place the double flow drying tunnel near the 35" standard one.  
Join it with the special spacers with the respective screws and washers (see detail "A").  
Join also the drain hose of the new module with the equipment one.

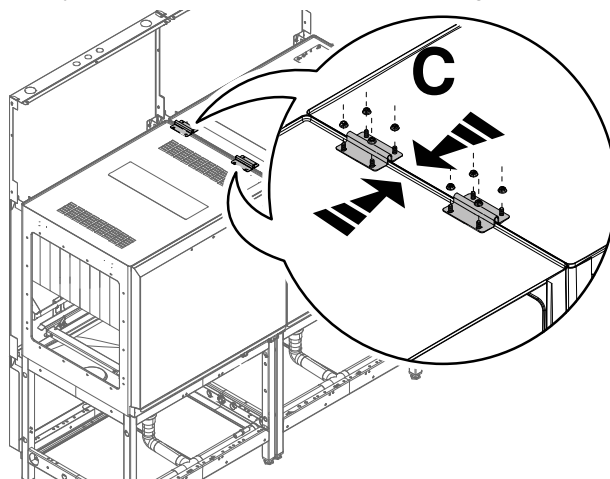
**!** **IMPORTANT**  
Make sure the modules are correctly aligned. If necessary use a pallet trucks to make easy this operation.



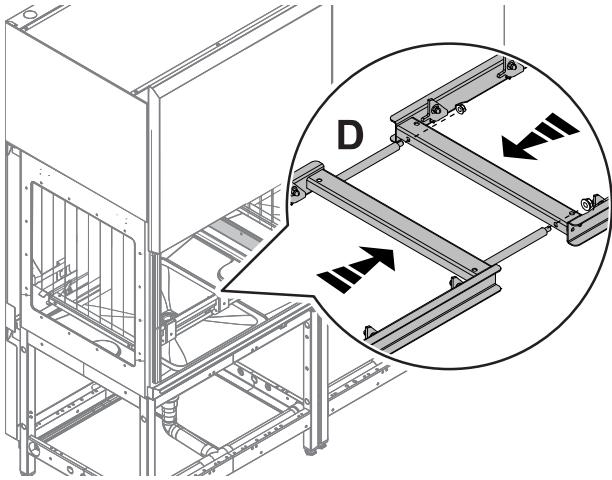
4. Join the module openings with the bolts, washer and nuts (see detail Figure B).



5. Join the roofs of the two modules, fitting the connection bracket on the ø=5 mm stud bolts (see detail Figure C). Firmly secure the brackets with ø=5 mm flange nuts.

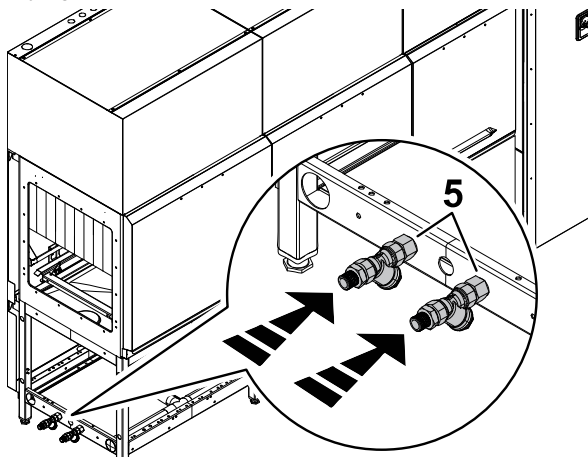


- 6. Fix the slide of the duo flow drying tunnel to the slide of the standard one (see detail "D").

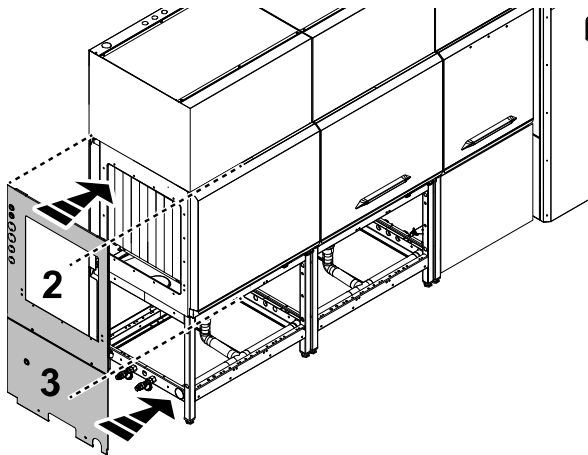


7. Refit:

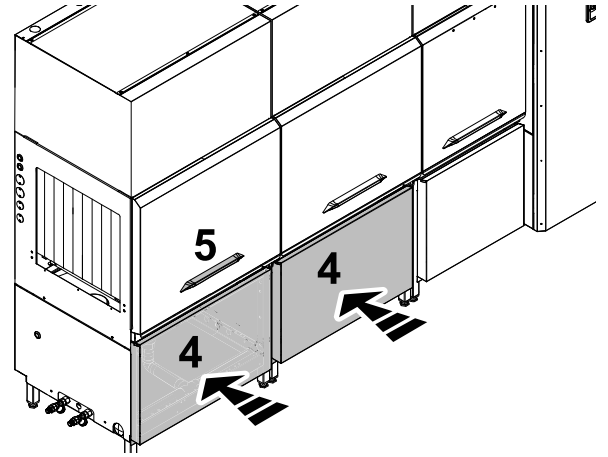
- the water inlet connections (cold-hot) "5" in the duo flow drying tunnel;



- the side panels "2" and "3" in the duo flow drying tunnel;



- the front panels "4" and, depending on the brand, the proper handle "5";



- the water inlet hoses (cold-hot).

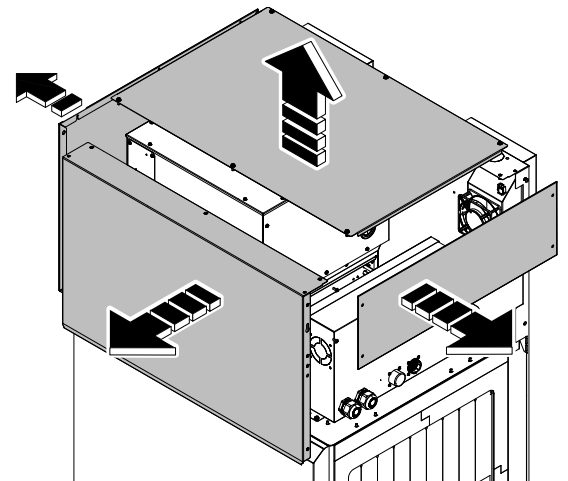
**E.8.5 Install the double flow drying tunnel 35" in a left to right appliance**



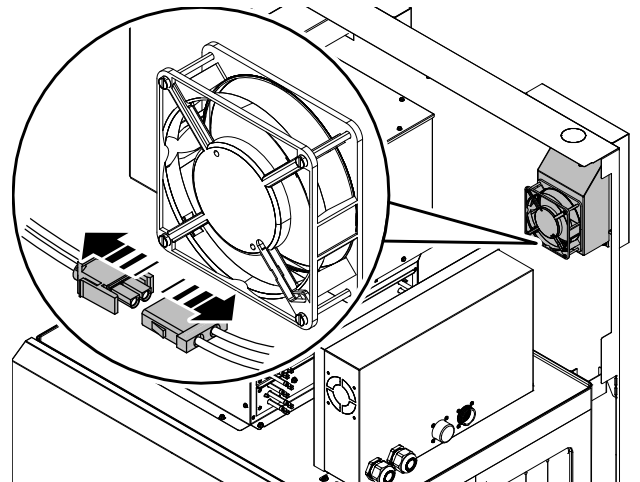
**CAUTION**

Before to start the installation, it is necessary reverse the position of the below components.

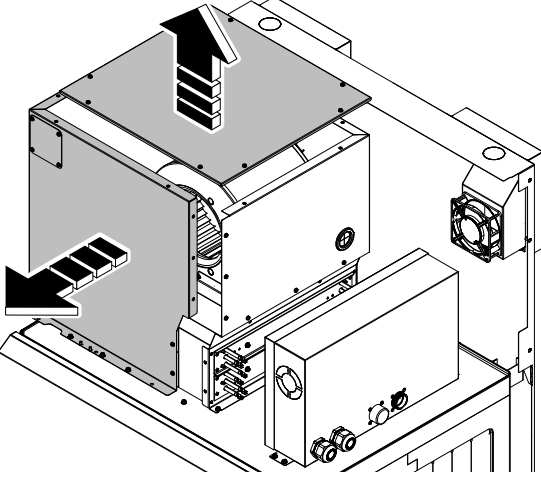
- To access the appliance easily, remove these panels:
  - top;
  - upper front;
  - sides.



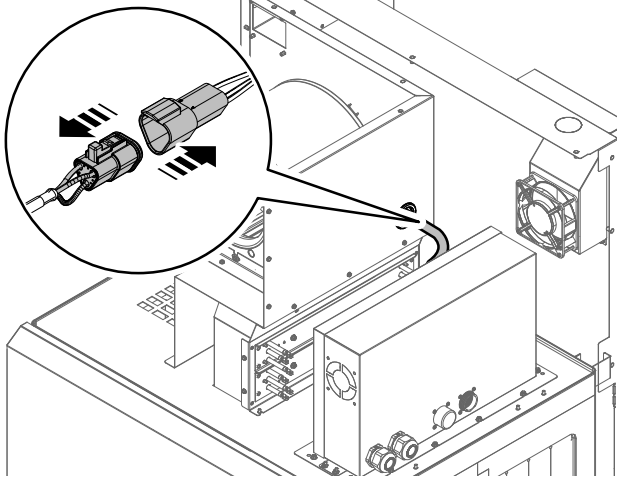
- Disconnect the rear cooling fan.



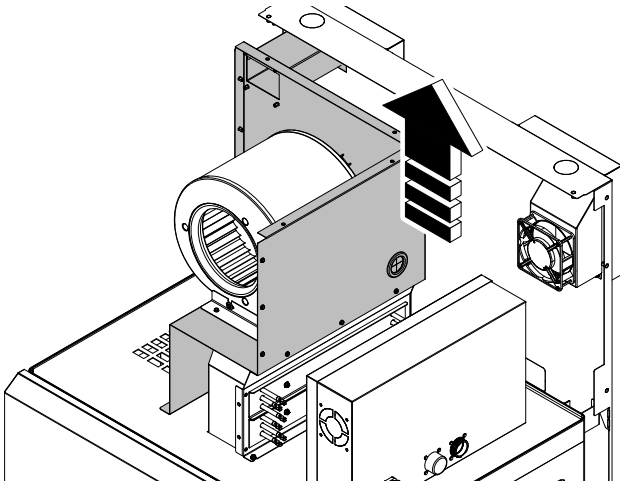
- Remove top and left side panel.



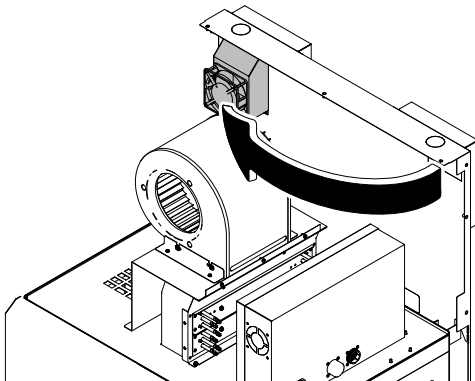
- Disconnect the upper fan assembly from the electric box.



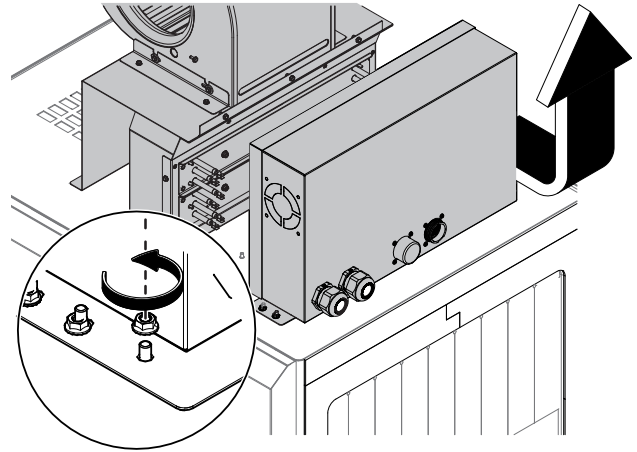
- Remove right side panel.



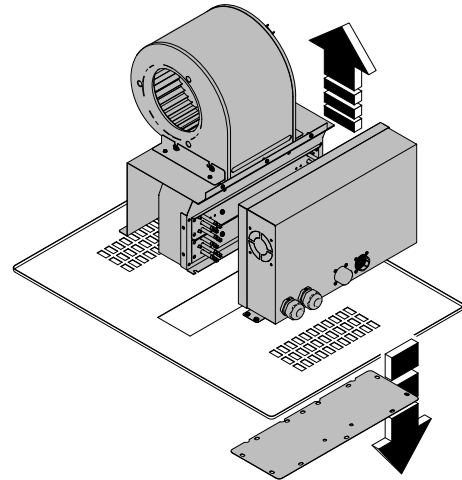
- Reverse the position of the cooling fan.



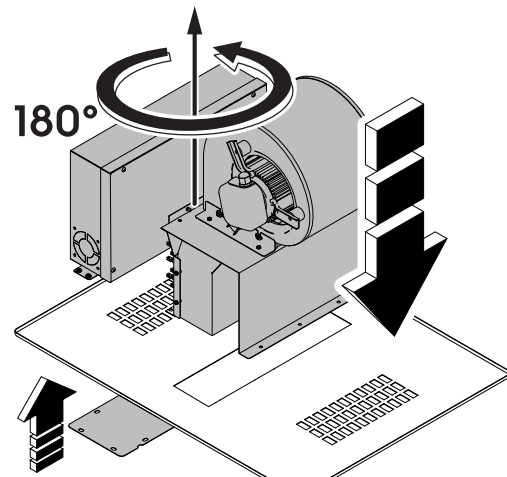
- Unscrew all required nuts and remove the electrical box and the upper fan assembly.



- From the inner of the appliance, unscrew all required nuts and remove the plate just below the electric box.

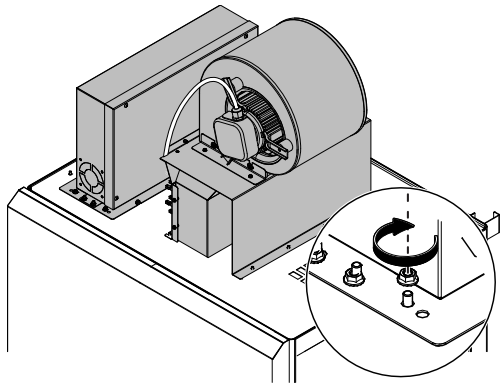


- Rotate the 2 assemblies (hot air blower and electric box) and the plate by 180°.

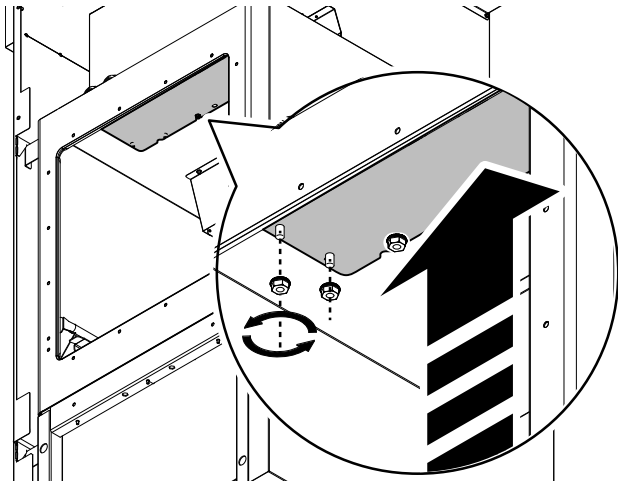
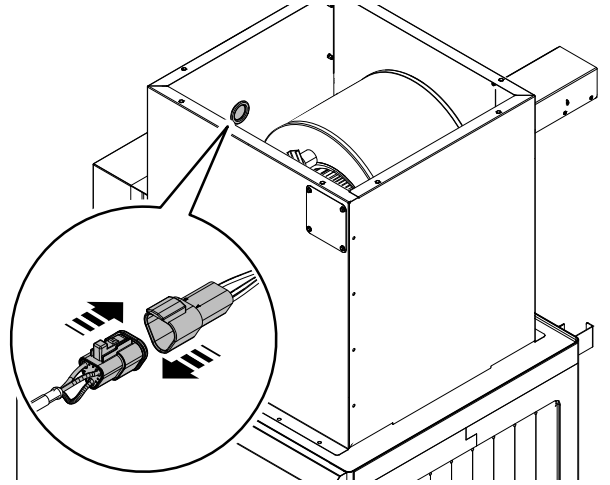




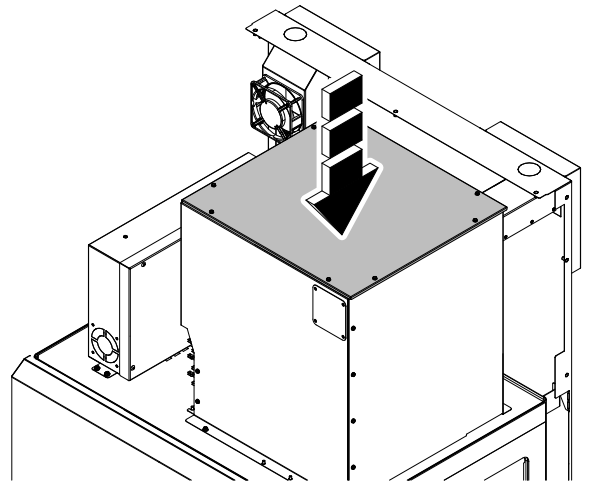
- Refit the electrical box, the upper fan assembly and the plate.



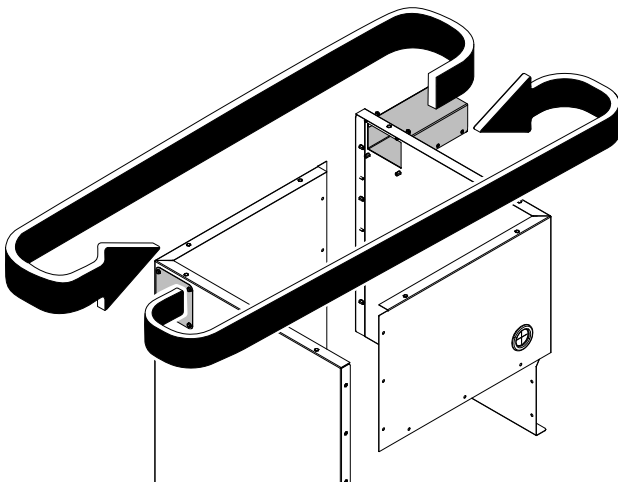
- Reconnect the upper fan assembly to the electric box.



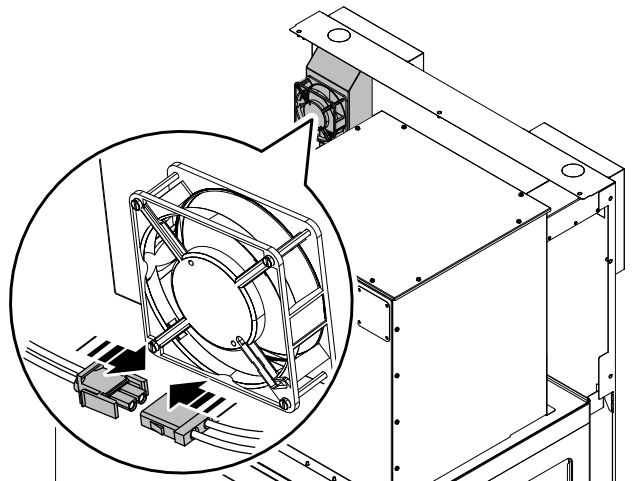
- Refit top panel.



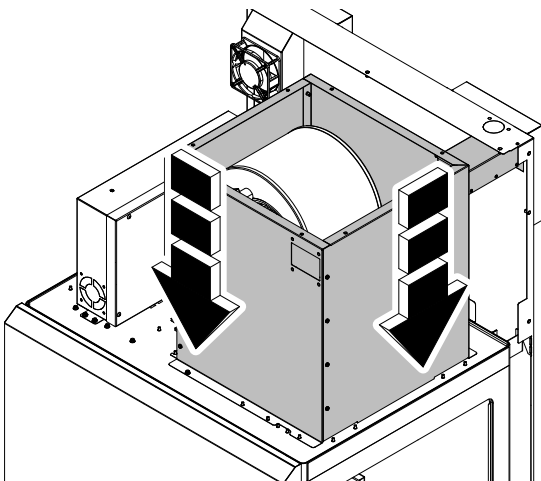
- Before to refit the side panels, reverse the position of the air duct and the cap of the side panel.



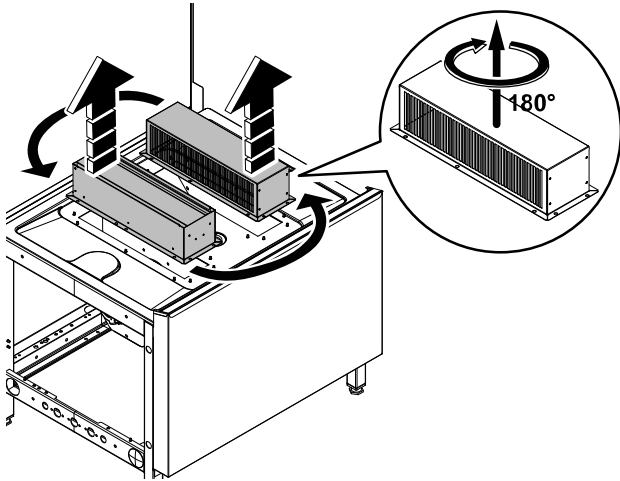
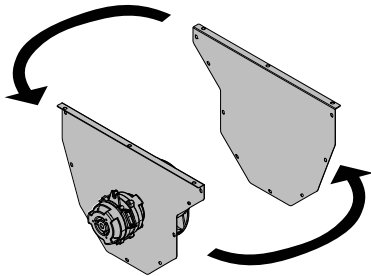
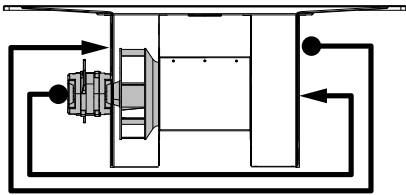
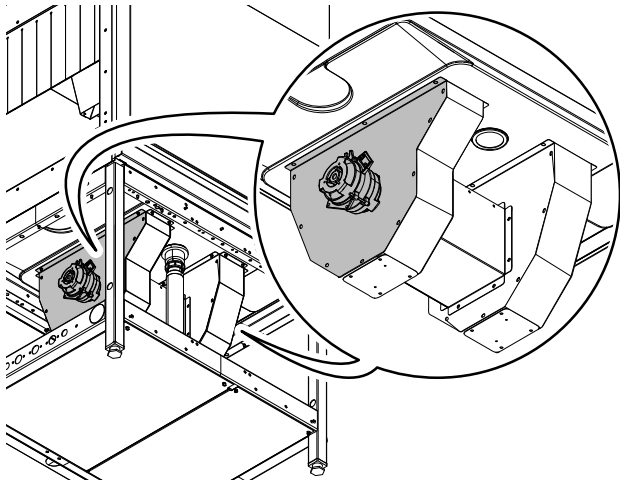
- Reconnect the rear cooling fan.



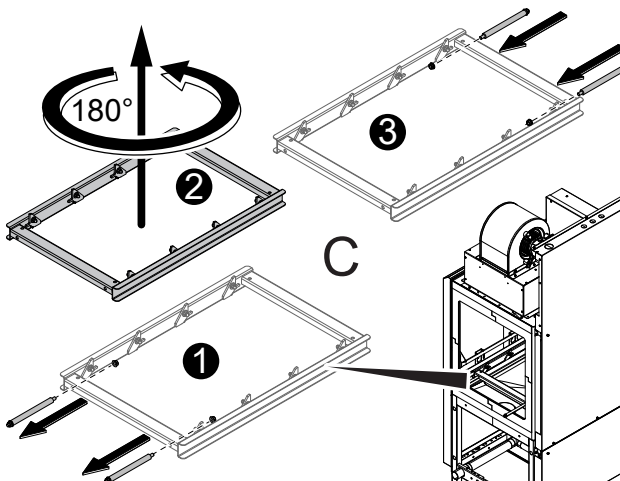
- Refit the side panels.



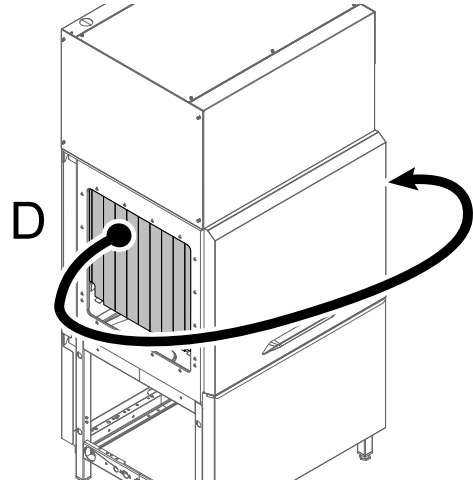
- Reverse and rotate by 180° the position of the lower fan assembly.



- Rotate the slide for baskets by 180°.



- Reverse the curtain position.



**NOTE!**

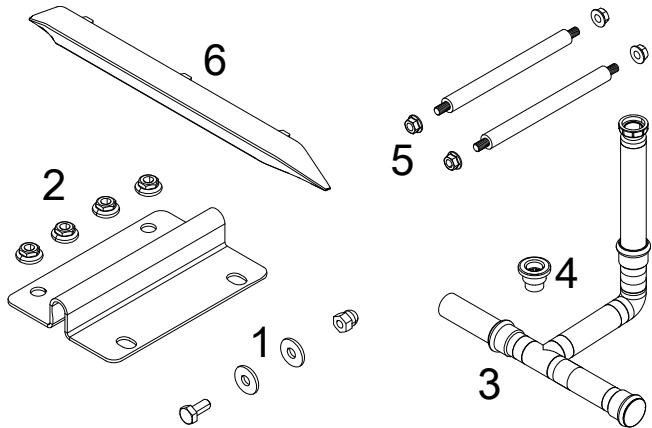
To complete the installation refer to chapter E.8.4 *Double flow drying tunnel 35"*.

### E.8.6 Drying tunnel 22"



**NOTE!**

If you operate in a heat pump dishwasher, make sure to carry out the instructions of the section E.8.1 *Additional instructions only for heat pump dishwasher*, before proceeding the installation.



#### Joining kit list

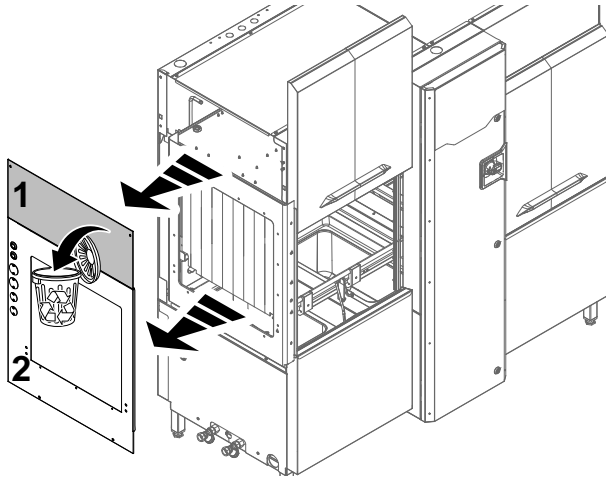
1	18 screws (M6x14mm), 36 washers ( $\varnothing=6 \times 18\text{mm}$ ), 18 cap nuts ( $\varnothing=6\text{mm}$ )
2	2 connection bracket and 8 flange nuts ( $\varnothing=5\text{mm}$ )
3	connection hose for water draining
4	Drain
5	Pins and nuts to fix the slide of the dryer to the slide of the machine
6	Handle



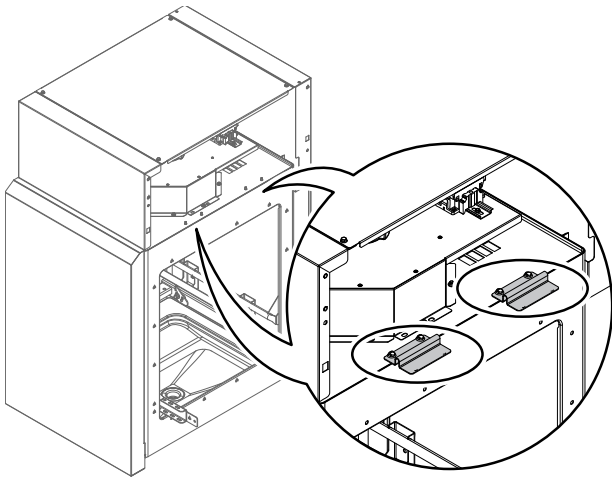
**NOTE!**

Depending on the model, install the handle at the end of all operations.

1. Remove the side panels "1-2". Dispose of panel "1" at the end of installation, it is not necessary anymore.



2. Install the connection bracket on the  $\varnothing=5$  mm stud bolts of the dryer roof. Firmly secure the brackets with  $\varnothing=5$  mm flange nuts.

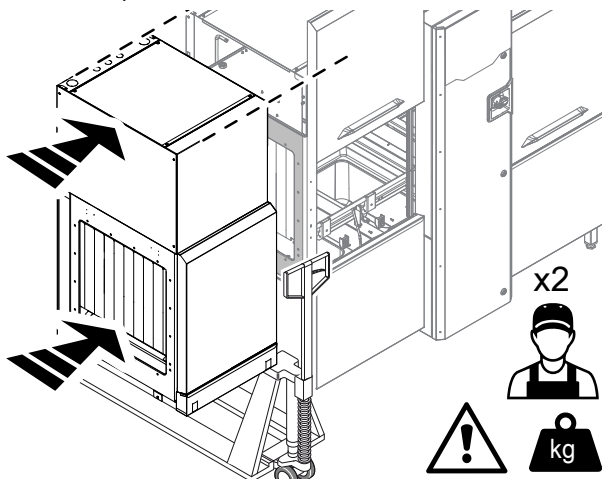


3. Place the drying tunnel near the machine.



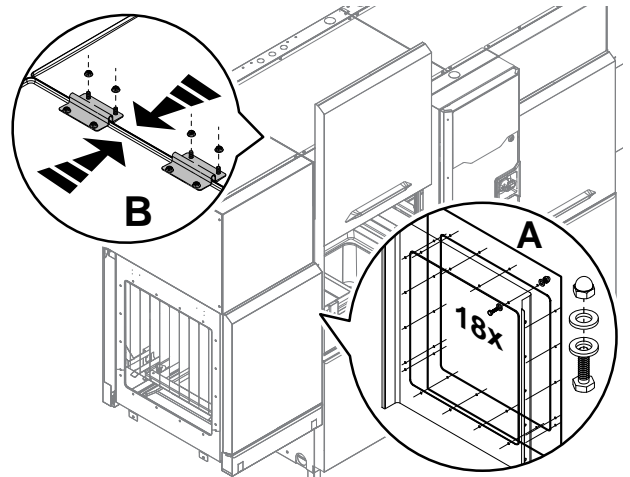
**IMPORTANT**

Make sure the modules are correctly aligned. If necessary use a pallet trucks to make easy this operation.

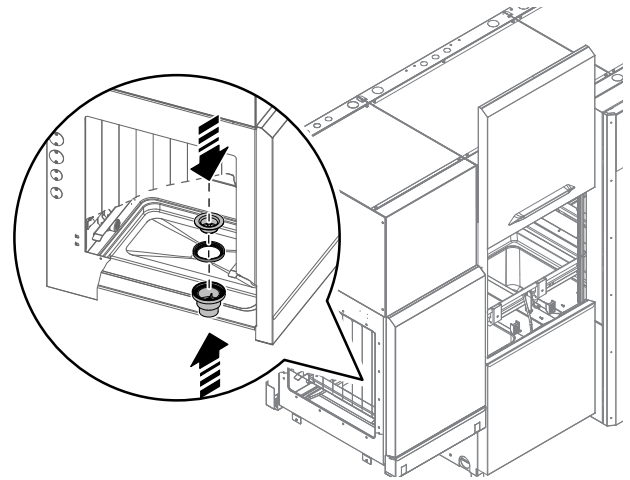


4. Join the module openings with the bolts, washer and nuts (see detail "A").

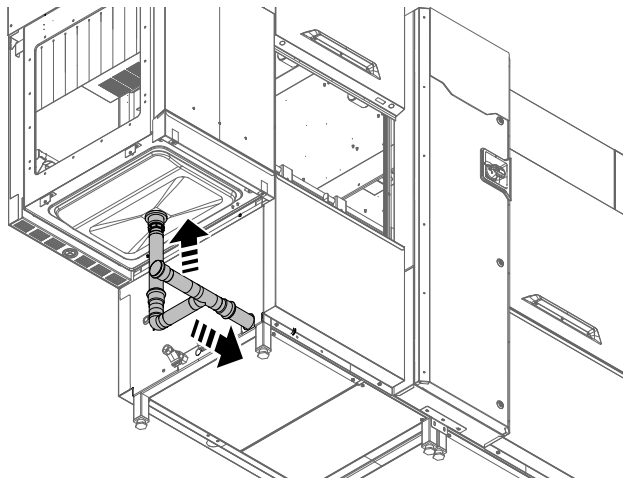
5. Firmly secure the connection brackets on the roof of the dryer and machine with  $\varnothing=5$  mm flange nuts (see detail "B").



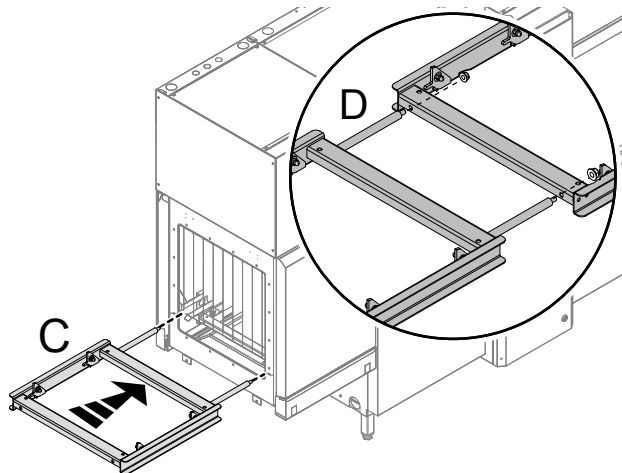
6. Install the drain in the dryer to discharge the residual water.



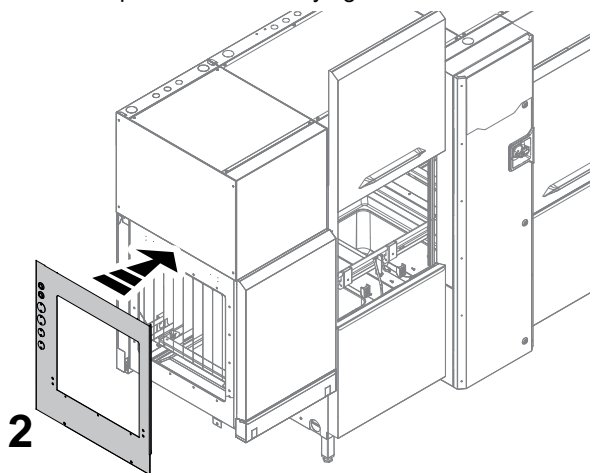
7. Connect the drain outlet of the dryer and the machine with the supplied connection hose.



- 8. Insert the slide for basket (see detail "C"). Fix the slide of the dryer to the slide of the machine (see detail "D").



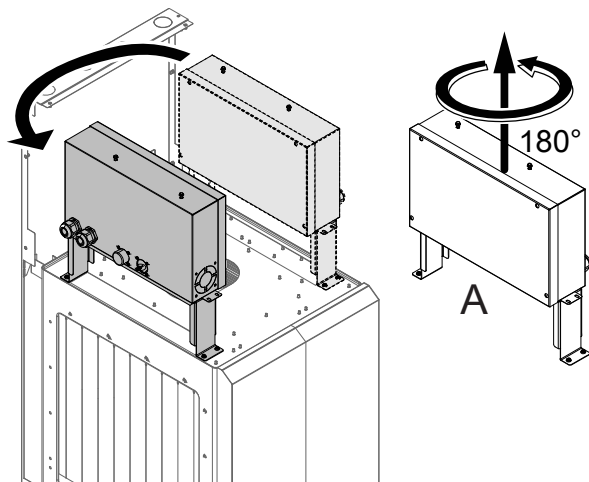
- 9. Refit the side panel "2" on the drying tunnel side.



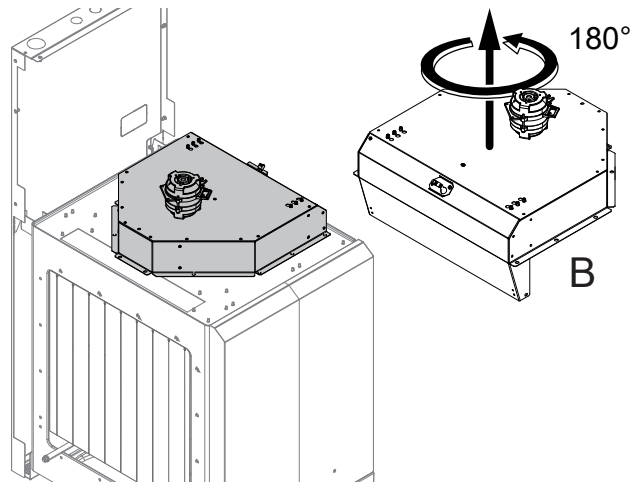
### E.8.7 Install the 22" drying tunnel in a left to right appliance

Before to start the installation, it is necessary reverse the position of the:

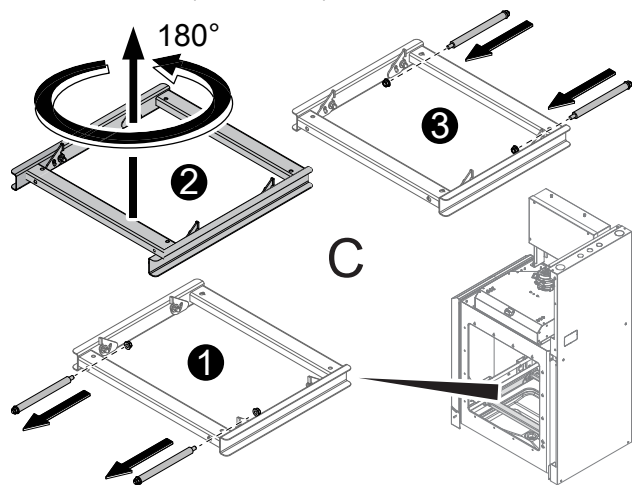
- drying module electric box (see detail A);



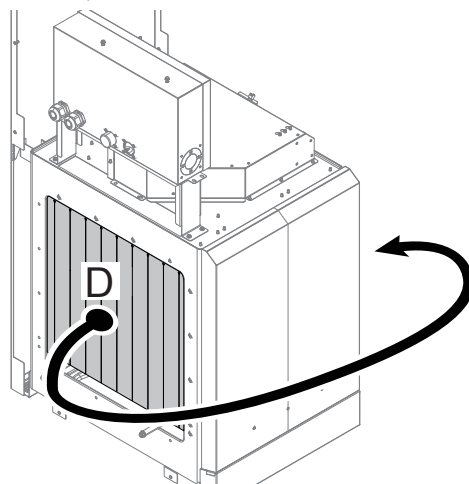
- fan assembly (see detail B);



- slide for baskets (see detail C);



- curtain (see detail D).



**NOTE!**  
To complete the installation refer to chapter E.8.6 *Drying tunnel 22"*.

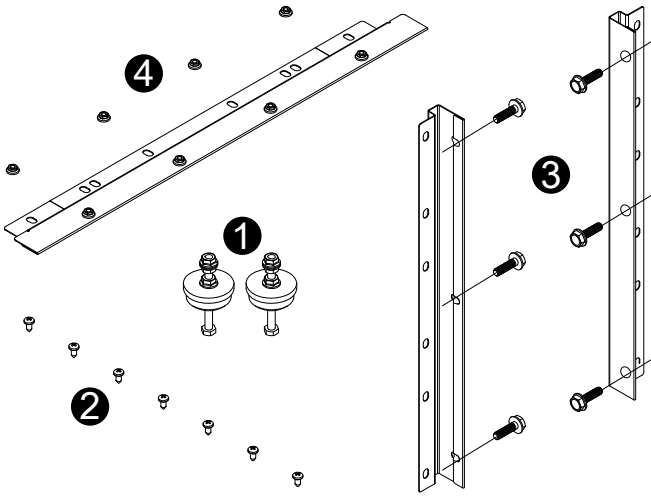
### E.8.8 Drying tunnel corner 90°



- NOTE!**
- If you operate in a heat pump dishwasher, make sure to carry out the instructions of the section E.8.1 *Additional instructions only for heat pump dishwasher*, before proceeding the installation.
  - This drying tunnel can be coupled to a 90° or 180° turntable.



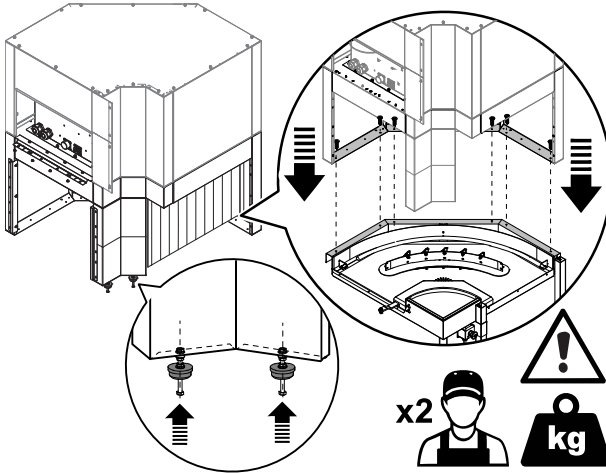
**CAUTION**  
Install only Electrolux Professional rack handling system (non-motor-operated).



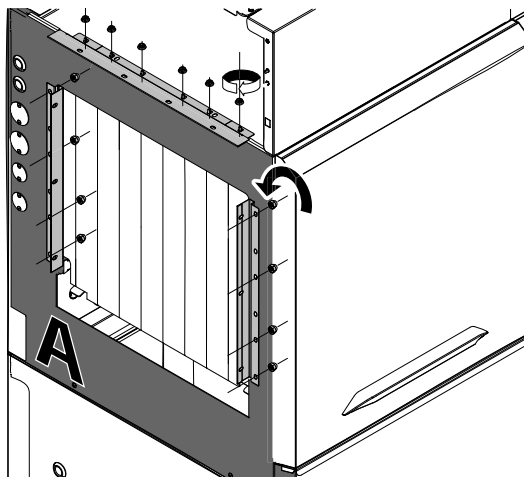
**Joining kit list for DT90°**

1	2 Adjustable feet
2	7 self tapping screws (4,2 x 9,5 mm)
3	2 side brackets and 6 screws (5 x 14 mm)
4	top bracket and 8 flange nuts (ø=5mm)

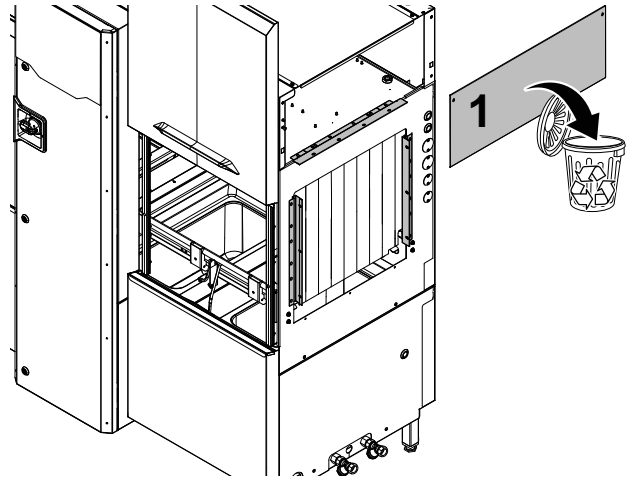
1. Install the adjustable feet on the dryer. Place the dryer on the turntable and fix it with the self tapping screws.



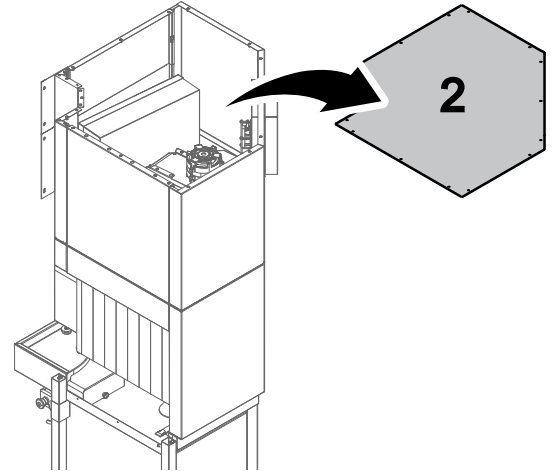
2. Install the side and top brackets on the machine.<sup>1</sup>



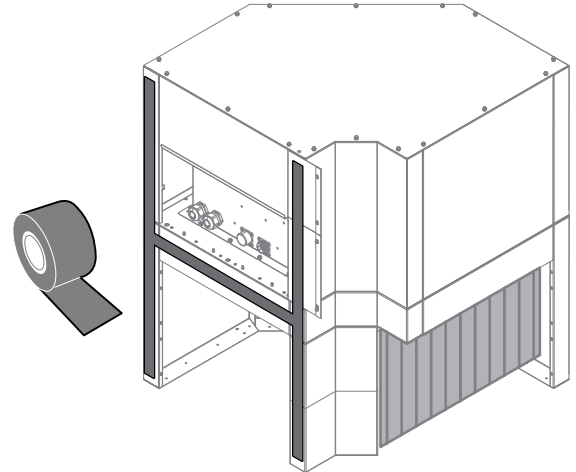
3. Remove the side panel "1" and dispose of at the end of installation, it is not necessary anymore.



4. Remove the top panel "2" from the drying tunnel to make easier the operations.

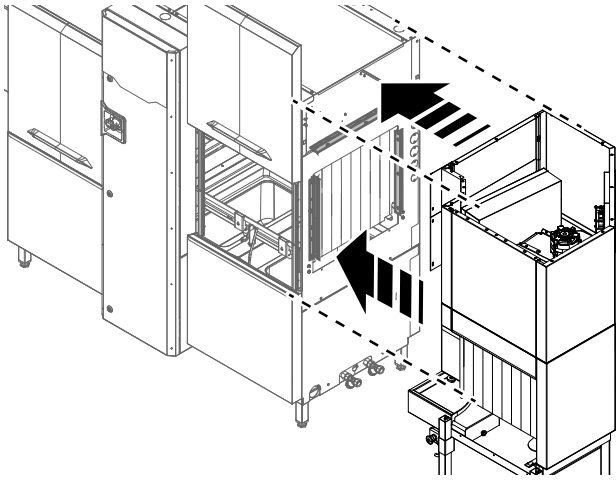


5. Fit the adhesive seal all around the drying module opening.



1. Only for heat pump dishwasher, before joining DT90° tunnel drying, it is necessary replace the panel A on the outlet mouth. Spare part code 0L4264 for right to left dishwasher or 0L3925 for left to right dishwasher.

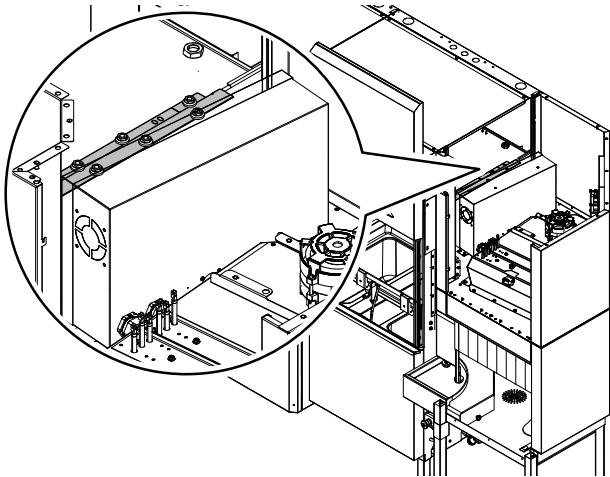
6. Place the drying tunnel near the machine.



**IMPORTANT**

Make sure the modules are correctly aligned. If necessary use a pallet trucks to make easy this operation.

7. Join the roofs of the two modules. Fitting the top bracket on the  $\varnothing=5$  mm stud bolts and firmly secure it with  $\varnothing=5$  mm flange nuts.



8. Fix the drying module opening to the side brackets. Firmly secure the brackets with the screws (5 x 14 mm).

9. At the end of installation, refit the top panel of the dryer and join the turntable with the machine.

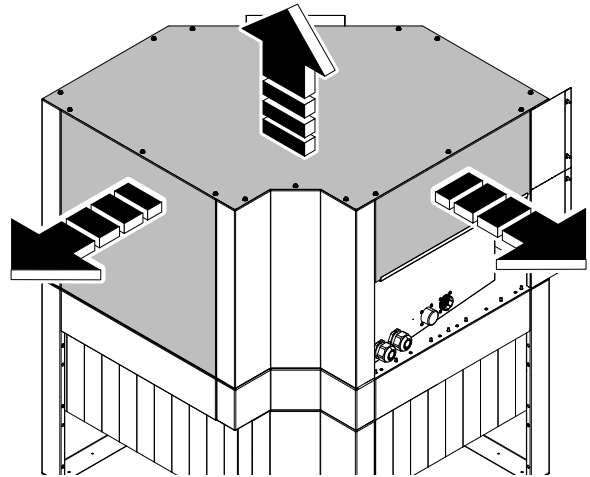
**E.8.9 Install the 90° drying tunnel in a left to right appliance**



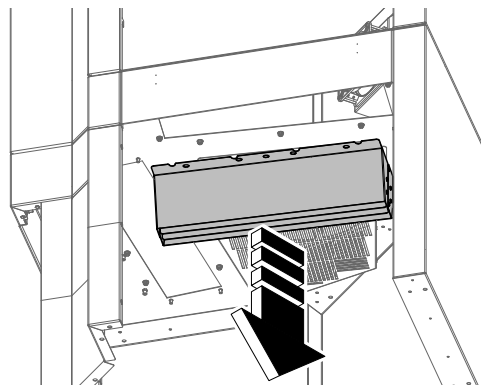
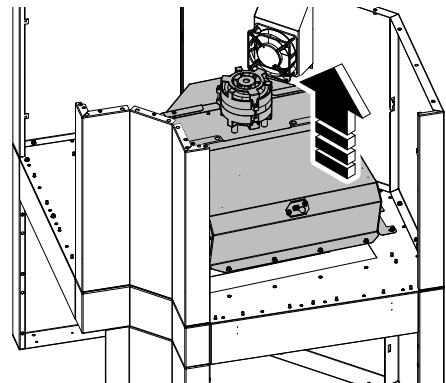
**CAUTION**

Before to start the installation, it is necessary reverse the position of the below components.

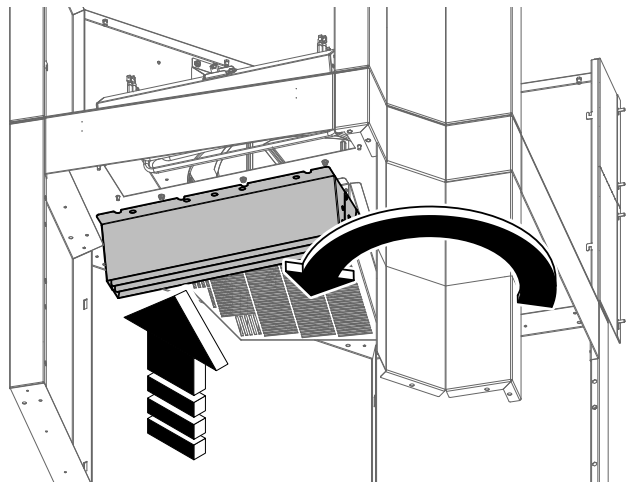
- To access the appliance easily, remove these panels:
  - top;
  - sides.



- Remove the fan assembly and its air duct.

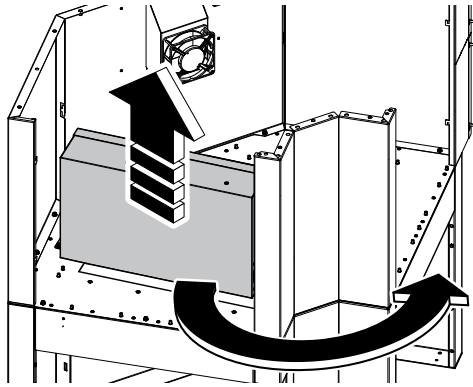


- Move and refit the air duct in the new position.

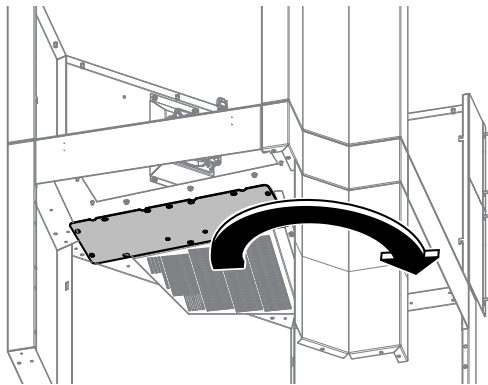




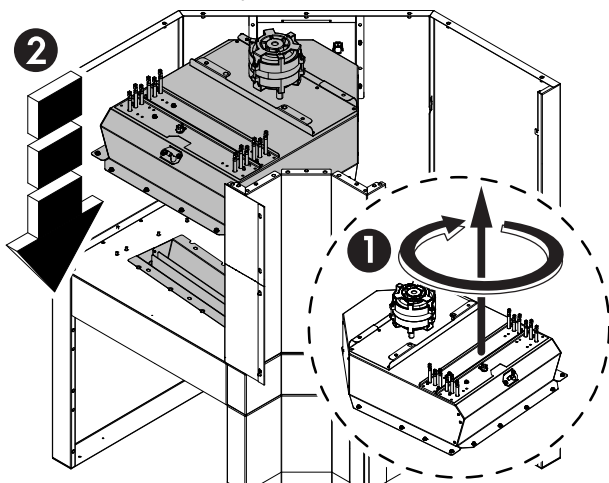
- Remove the electric box.



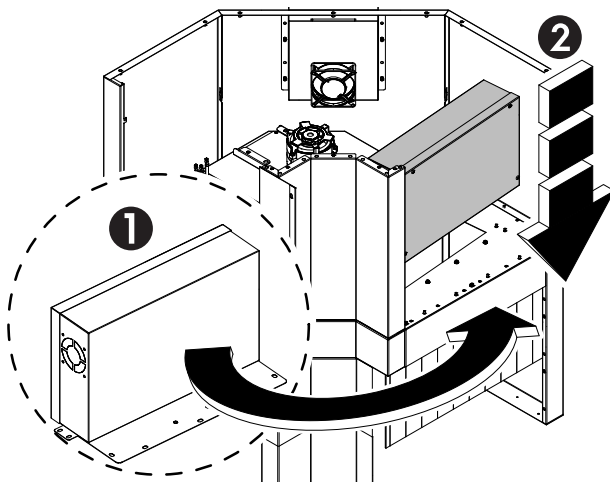
- Move and refit the plate under the electric box in the new position.



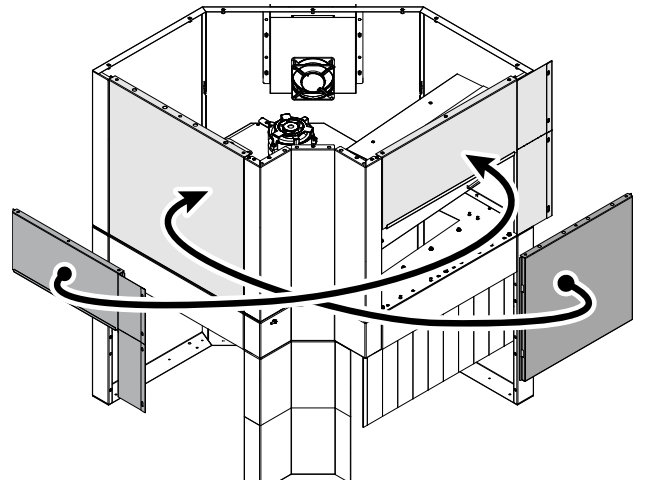
- Rotate the fan assembly and refit it.



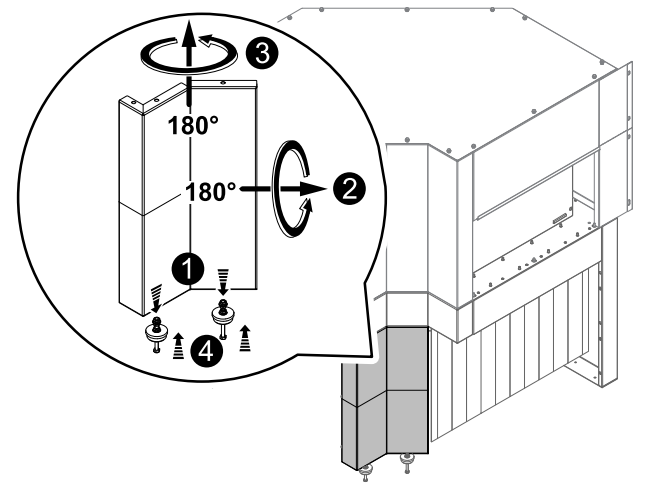
- Rotate the electric box and refit it.



- Reverse upper panels.



- Rotate angular bracket.



**NOTE!**  
To complete the installation refer to chapter E.8.8 *Drying tunnel corner 90°*.

#### E.8.10 Drilling diagrams for Electrolux Professional rack handling system

**NOTE!**  
Follow the instructions given by the diagram to make the required holes on the table in order to install the 90° drying tunnel [ *Drilling diagrams* ].

**CAUTION**  
To make the holes use suitable equipment, complying with the safety standards. For correct placing of the holes check the position of the holes to be made (according to the type of table) beforehand.

#### E.9 Electrical connection

**WARNING**  
Refer to "Safety Information".

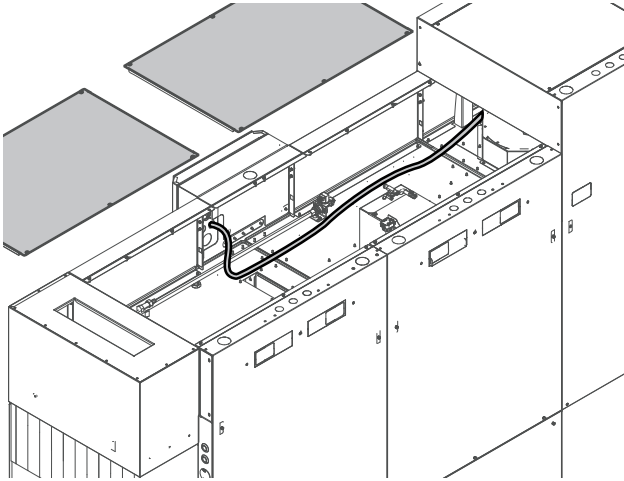
Make sure the machine power supply voltage specified on the data plate matches the mains voltage B.3 *Appliance and manufacturer's identification data*.

Make sure the system power supply is arranged and able to take the actual current load and that it is executed in a workmanlike manner according to the regulations in force in the country of use.

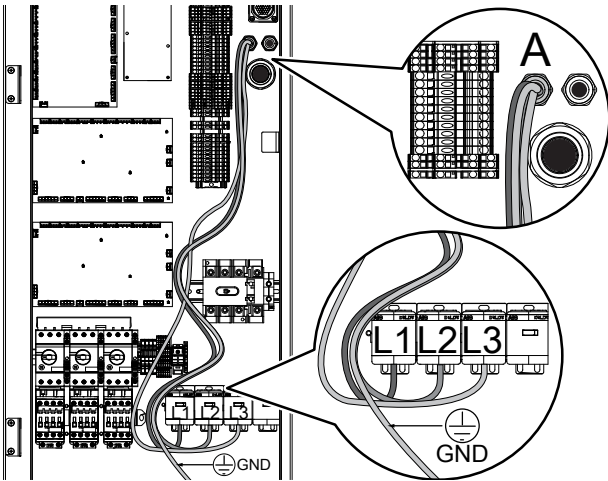
After the module has been mechanically and electrically connected to the equipment, before starting up the machine the installer must make the electrical measurements according to point 18 of Standard EN 60204-1.

- Open the door of the dishwasher electric box.

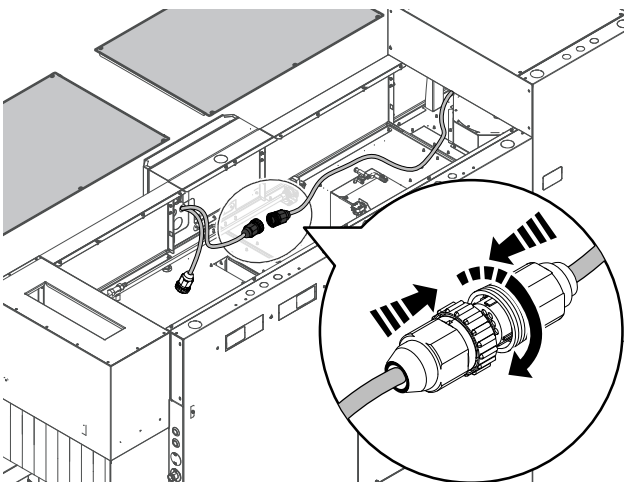
- If necessary remove the top panels of the dishwasher to make easier the electrical operations.
- Take the coil of wiring cables located in the top part of the drying module and pass it along the top of the dishwasher to the dishwasher electrical box.



- Pass the wiring cables through the cable gland "A" and connect the power cables "L1", "L2" and "L3" to the terminal board as shown in the picture. Insert the yellow/green ground cable together with those already present.



- Take the coil of wiring cables for signal connection of the drying module and pass it along the top of the dishwasher.
- Join the cable connectors. Make sure to have connect them, properly.

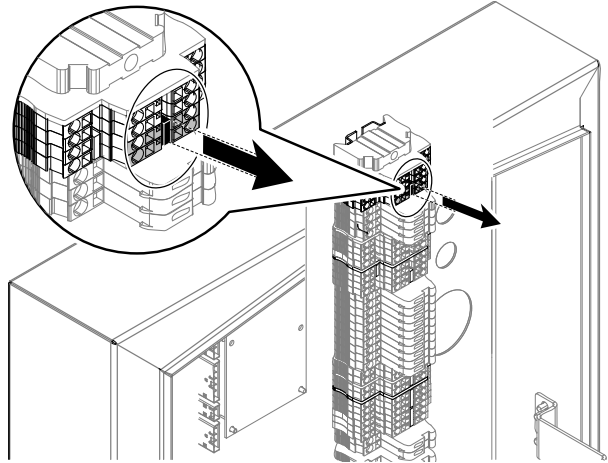


**NOTE!**  
For additional information, refer to the wiring diagram, supplied with the equipment.

### E.9.1 Remove the jumper from terminal board

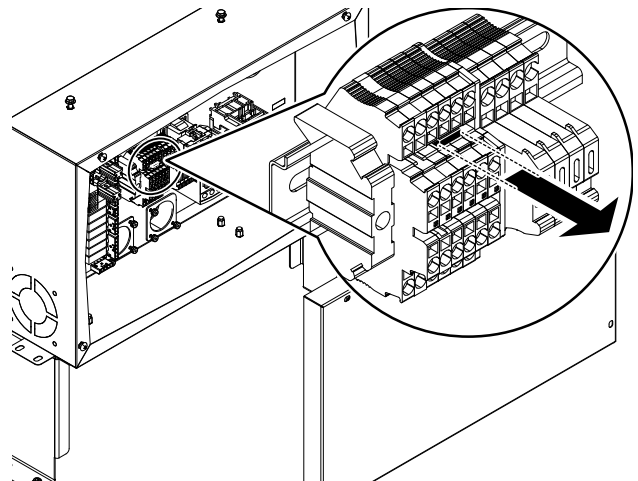
#### Drying module added after dishwasher

- Before to activate the equipment, it is necessary to remove the left jumper from the dishwasher terminal board "XT1".
- Open the electrical box of the dishwasher, locate the terminal board "XT1" and remove the jumper.

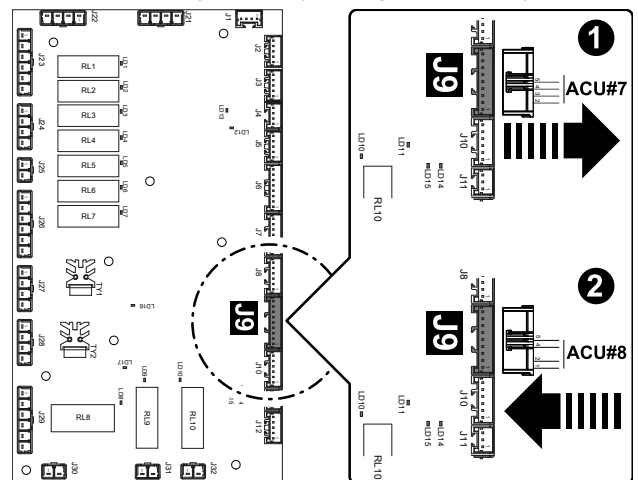


#### Drying module added after another drying module

- Before to activate the equipment, it is necessary to remove the jumper from the previous drying module.
- Open the electrical box of the previous drying module, locate the terminal board "XT7" and remove the jumper.



- Open the electrical box of the last drying module and change the physical address of the electronic board from ACU#7 to ACU#8 (the factory setting is on ACU#7).



### E.10 Plumbing connections



#### IMPORTANT

Watermark labelled appliances must be installed in accordance with Plumbing Code of Australia (PCA).



Install the machine water inlets and drain pipes according to the plumbing circuit and installation diagrams.

Always use a new set of joints if you remove and re-install the water inlet pipe to the machine.

Make sure that there are no visible water leaks.

### E.11 Parameter configuration update

Configure the machine parameters according to the service manual. Check if all the parameters are correct.



#### IMPORTANT

Only Electrolux Professional approved service technician can update the machine parameters after the installation of the drying module.

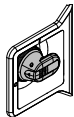
### E.12 Constructional modifications

The Manufacturer provides for the possibility of connecting the rack-type dishwasher to rack handling systems included in the Electrolux Professional product catalogue, with the possibility of obtaining various configurations. The "EC" Conformity Declaration provided with the machine also envisages these configurations. The Manufacturer does not provide for the possibility of making other constructional modifications to the machine, but allows the execution of other types of combinations with systems different from those described above (in order to create a series of machines arranged and controlled in an integral way), as illustrated in this documentation. In which case it is necessary to comply with provisions of the applicable European Directives or current regulations in the country of use, and obtain the required certifications. The Manufacturer declines any liability for damage caused by arbitrary modifications and conversions carried out by the user or third parties. For requests or for further information, contact Electrolux Professional SpA - Via Treviso, 15 - 33170 Pordenone - Italy.

### E.13 Installation of rack handling systems



#### WARNING



Make sure that the switch disconnector of the machine is locked in the Off position - "O".

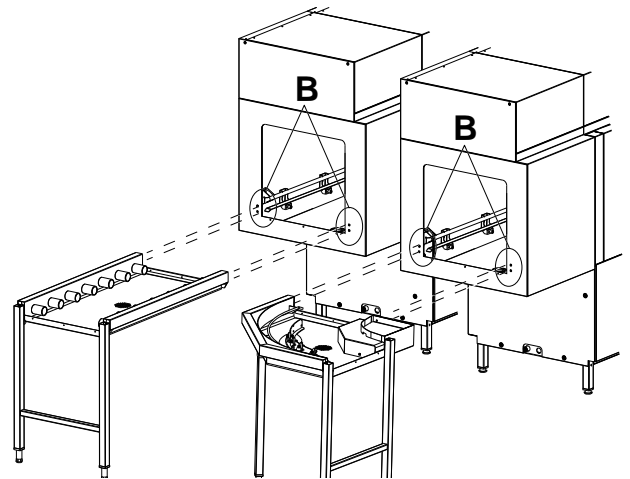
The arrangements for the mechanical and electrical connections provided for on the rack-type dishwasher are described below. For further details on the various types of rack handling system couplings, consult the instructions supplied with the specific handling system installed.

### E.14 Arrangement for mechanical connection (only for Electrolux Professional rack handling system non motor operated)

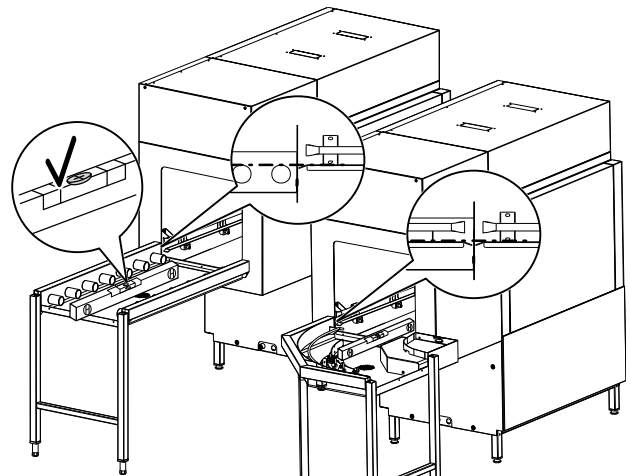
This arrangement is suitable for fitting non-motor-operated rack handling systems (e.g. roller-ways, tables, etc.).

1. Remove the vent(s) from the machine, if present.  
You can see 2 holes in the left and 2 holes in right side of the machine panels.

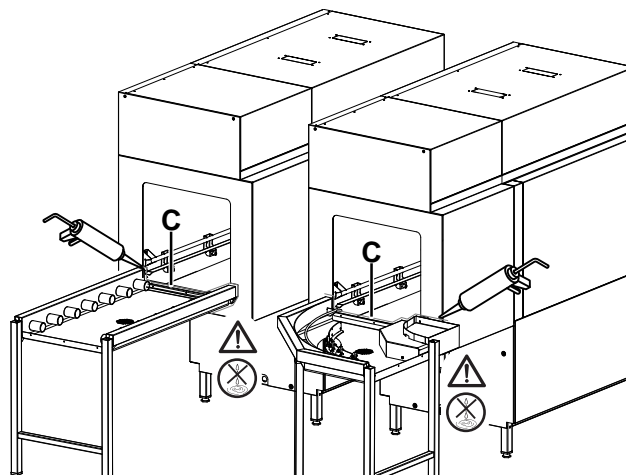
2. Use 4 metric screws ( $\phi=6$  mm), "B" to connect the rack handling system to the dishwasher.



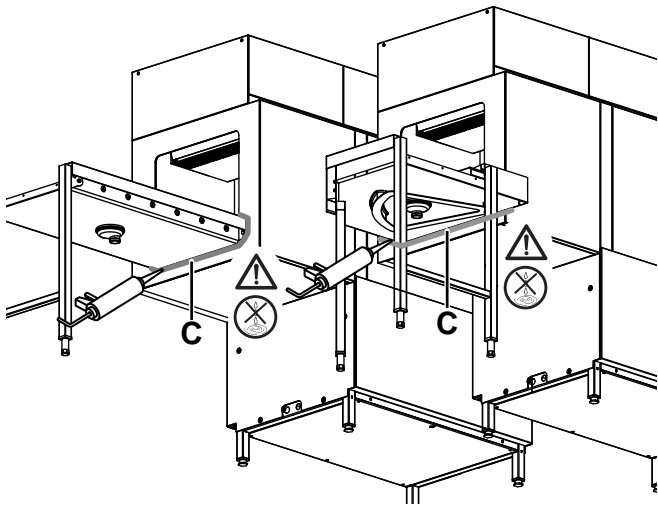
3. Adjust the equipment by turning the special adjustable feet and making sure it is perfectly level.



4. Refer to the instruction provided with the rack handling system to complete the installation.
5. Apply silicone<sup>2</sup> "C" between the dishwasher and the rack handling system.



2. It is available for this purpose recommended silicone by Electrolux Professional. You can order it with this reference code 059611.



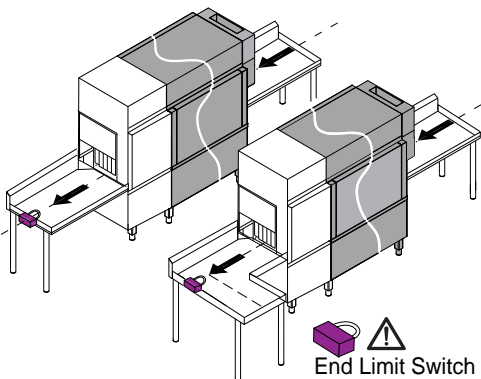
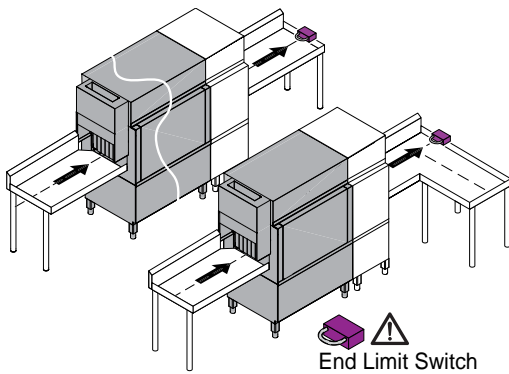
**CAUTION**  
Make sure that there are not any water leakages.

### E.15 Installation of the end limit switch

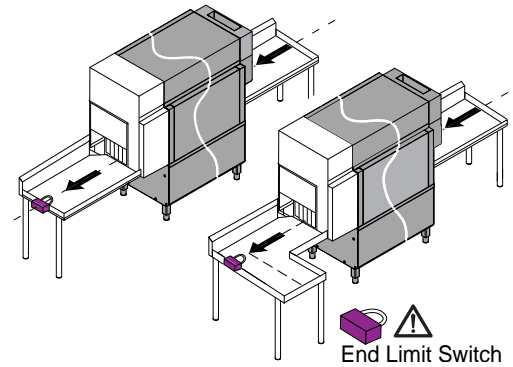
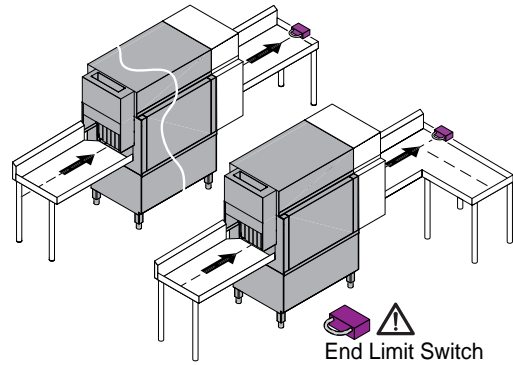


**IMPORTANT**  
Install only Electrolux Professional End Limit Switch.

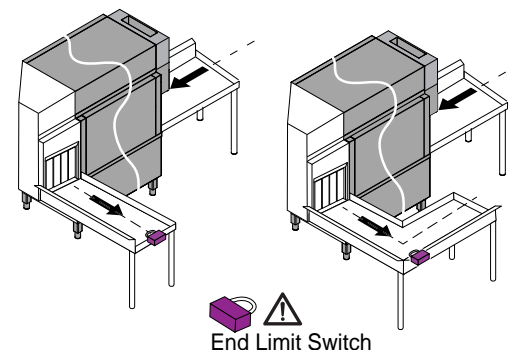
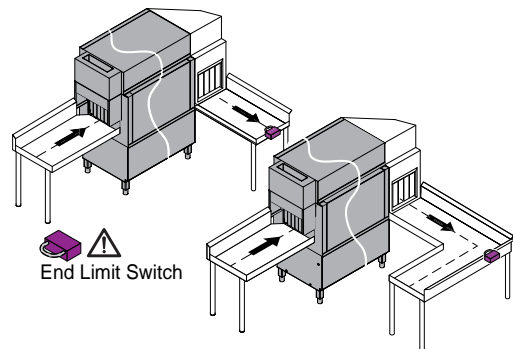
#### Drying Tunnel 35"



#### Drying Tunnel 22"



#### Drying Tunnel 90°



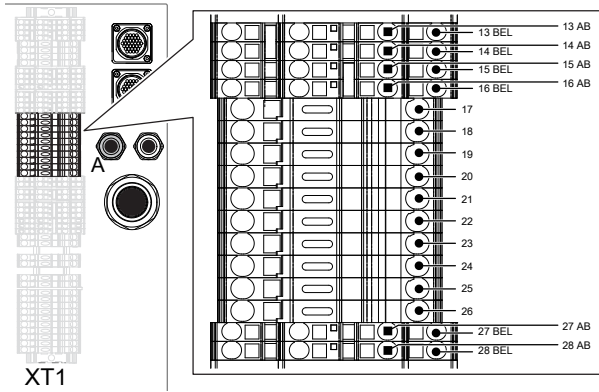
#### E.15.1 Rearrangement for electrical connection

The machine is pre-configured for the installation of end limit switch.

Proceed as follows to connect the end limit switch to the machine:

- open the door electrical box;
- pass the cables for connection through the hole "A".

- connect the end limit switch to the XT1–27BEL and XT1–27AB terminal blocks;

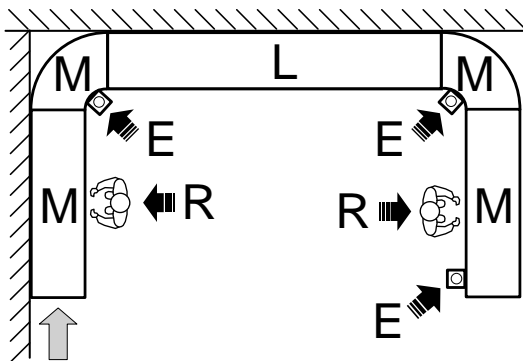
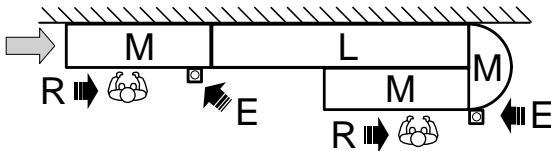
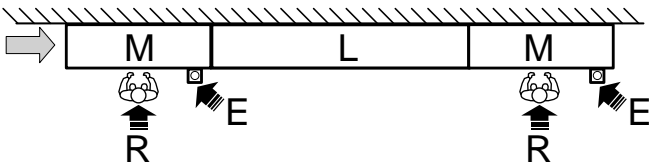


**CAUTION**  
Make sure to install the end limit switch properly.

### E.16 Positioning of emergency switches

If rack handling systems are connected at the infeed or outfeed of a rack-type dishwasher, install on such systems emergency switches that are clearly visible and identifiable and easily accessed by the operator “R” who must use them.

Described below are possible couplings of dishwashers “L” with rack handling systems “M”, with the corresponding positions of the emergency switches “E” and work stations “R”.



“R”	Operator or work station
“L”	Dishwasher
“M”	Rack handling systems
“E”	Emergency switch

#### E.16.1 Electrical connection

Proceed as follows to connect the emergency switches to the machine:

- open the door electrical box;
- pass the cables for connection through the hole “A”;

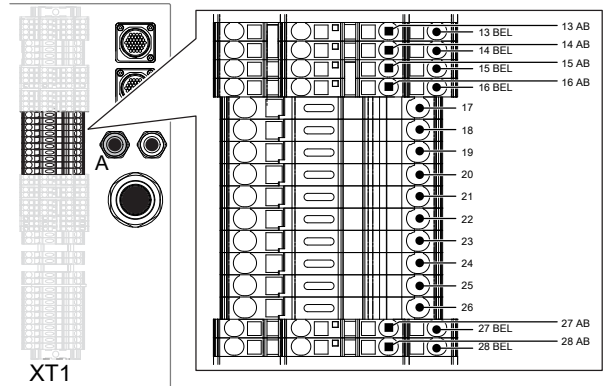
- connect the emergency switches to:

#### Emergency switch IN

- XT1–14BEL and XT1–14AB terminal blocks

#### Emergency Switch OUT

- XT1–13BEL and XT1–13AB terminal blocks



### E.17 Emergency stop reinstatement

When an emergency switch is operated, restart the machine only after making sure that:

- the cause requiring operation of the emergency switch has been eliminated;
- restarting machine operation does not involve any hazard.

If the EMERGENCY SWITCH is operated during machine operation, the entire machine is deactivated.

To reinstate machine operation, proceed as follows:

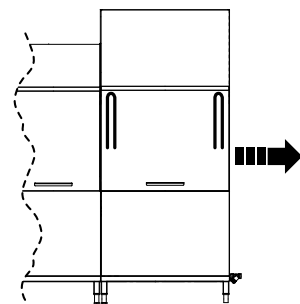
- release the previously operated red emergency button, turning or pulling it in order to disconnect its interlock;
- restart the machine according to what is described in paragraph “Daily activation”.

### E.18 Fitting curtains

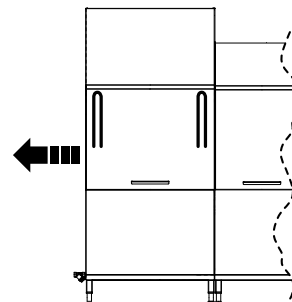
With the machine switched off and cold, fit or refit the curtains as illustrated below.

#### Drying Tunnel 35”

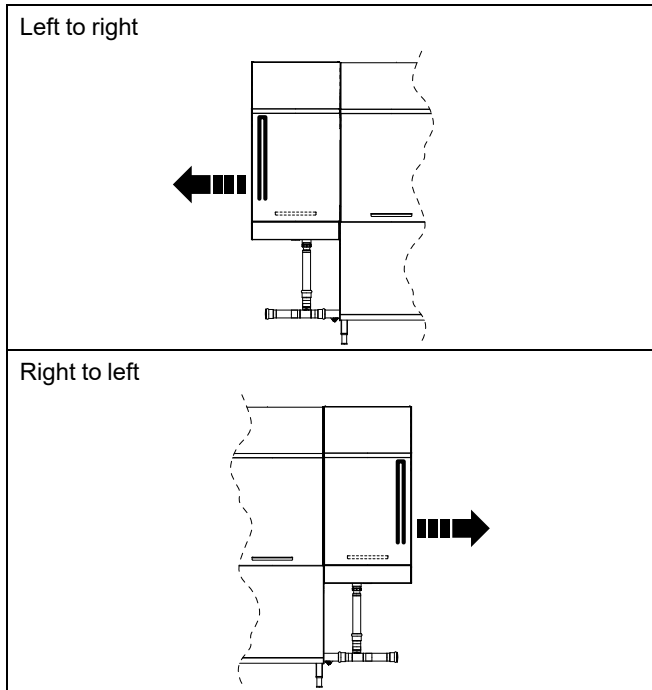
Left to right



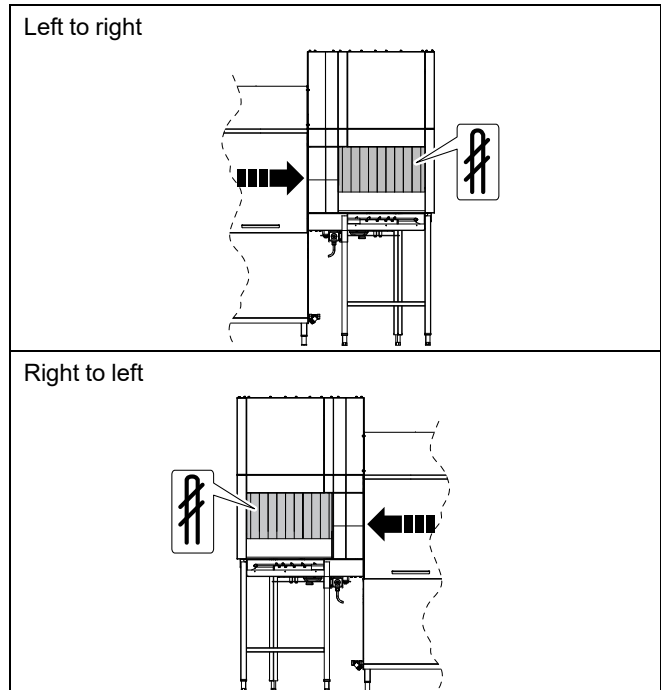
Right to left



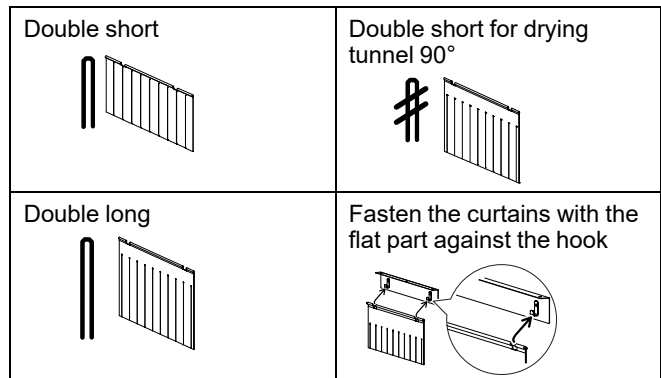
## Drying Tunnel 22"



## Drying Tunnel 90°



### Types of curtains



## F COMMISSIONING

### F.1 Preliminary checks, adjustments and operational tests

Before starting the machine, check:

1. electrical and plumbing connections;
2. positioning of tank components;
3. washing and rinse arms position and fitting;
4. curtains position and fitting.

These operations must only be carried out by specialized technicians provided with adequate personal protection equipment (refer to A.3 *Personal protection equipment*), tools and suitable ancillary equipment with the machine switched off and cold.

### F.2 Electrical and plumbing connection

Before starting the machine, check:

1. correct connection of the electrical wires that feed the machine;
2. the power supply voltage and frequency match the data given in the technical data table (*C TECHNICAL DATA*);
3. correct connection of the water supply and drain pipes (*E.10 Plumbing connections*);
4. guards, safety devices and emergency switches are in place and properly installed.

### F.3 Positioning and fitting of the curtains

Make sure all the types of curtains, provided with the machine, are correctly fitted according to that indicated in paragraph "E.18 *Fitting curtains*".

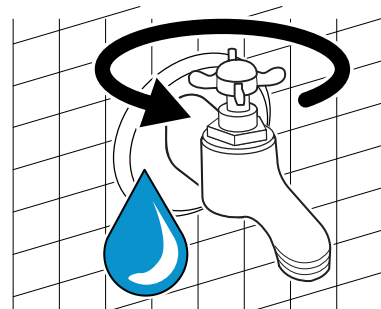


#### IMPORTANT

Close the doors of the various appliance modules only when all the parts previously described are correctly installed, then start the machine.

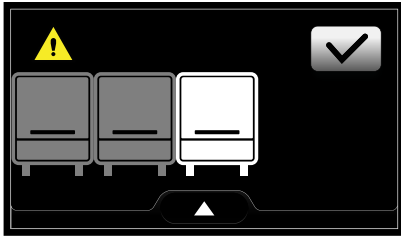
### F.4 First starting

1. Open the water supply taps.

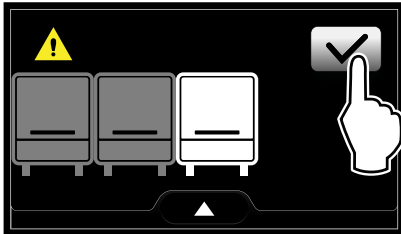


2. Turn the main switch, placed on the door of the electric cabinet, from position "O" to "I" to power the machine.

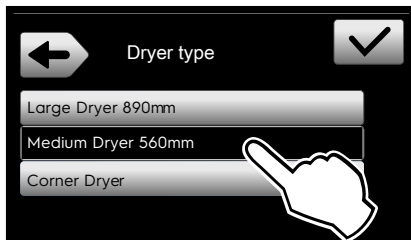
3. The touch screen switches on and the machine recognizes that one or two dryer modules have been added. The display blinks alternatively every second showing the icon of the new module.



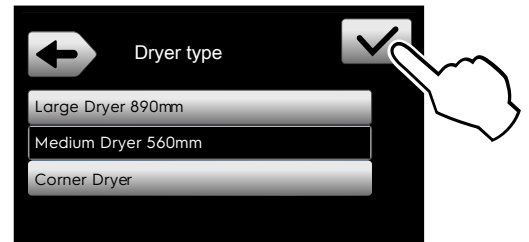
4. Confirm the presence of the new module.



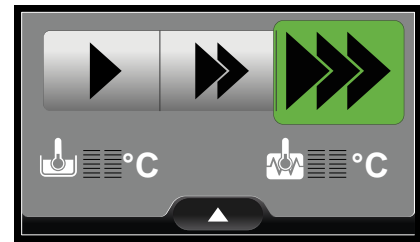
5. The display shows all the available options to select the right type of the new module.



6. Confirm your selection.



7. Automatically the dishwasher upload all new additional parameters. All the equipment restarts again to make all the updating fixed.
8. When the display shows the ready status, the dishwasher is ready to work.



## G NORMAL USE

### G.1 For additional information, refer to manual supplied with the appliance



#### NOTE!

If the Installation, User manual or Quick Guide is not available, you can find it in digital format by:

- contacting the dealer or reference customer care;
- downloading the latest and up to date manual on the web site: "[www.electroluxprofessional.com](http://www.electroluxprofessional.com)".





CE