

Undercounter dishwasher

Touch button version



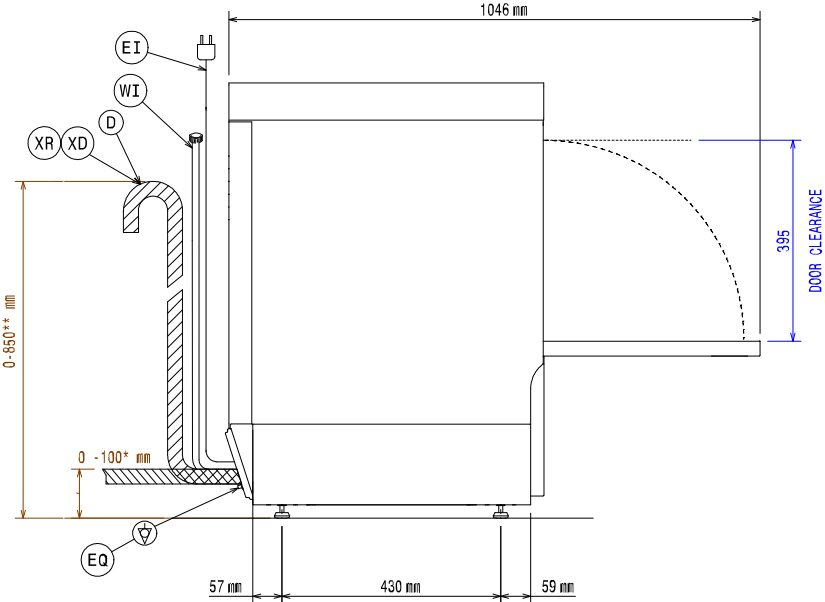
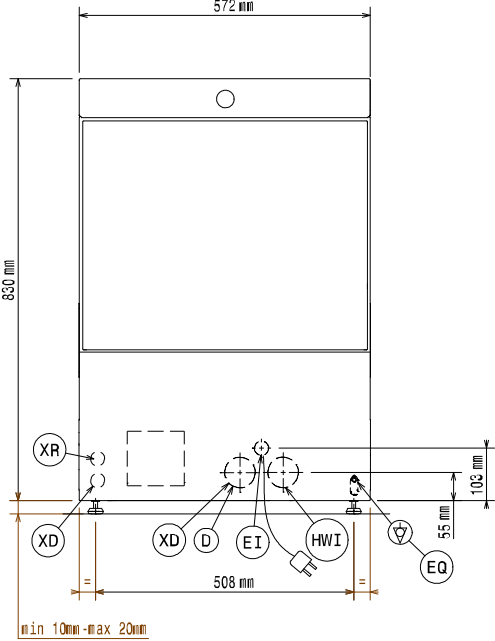
EN Installation manual *

*Original instructions

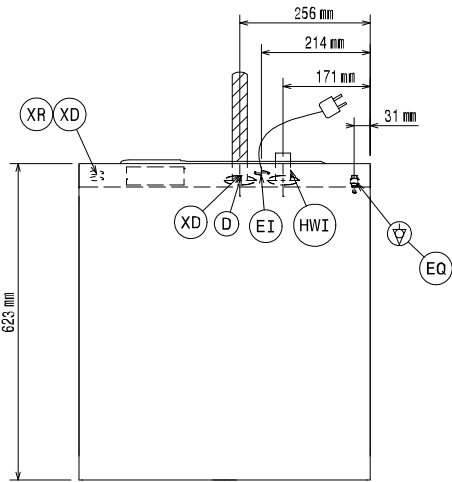


59566XR01- 2024.07

Installation diagram



* Without drain pump
** With drain pump



El = Power supply entry
WI = Water Inlet pipe with $\varnothing = 3/4"$ G fittings
XD = Inlet pipe for detergents
XR = Inlet pipe for rinse aid
EQ = Equipotential screw

D = Drain pipe with internal diameter:
*[0-850 mm] — $\varnothing = 20$ mm (Only for model with drain pump)
**[0-100 mm] — $\varnothing = 40$ mm (Only for model without drain pump)

Foreword

 Read the following instructions, including the warranty terms before installing and using the appliance.

Visit our website www.electroluxprofessional.com and open the **Support** section to:



Register your product



Get hints & tips of your product, service and repair information

The installation, use and maintenance manual (hereinafter Manual) provides the user with information necessary for correct and safe use of the appliance.

The following must not be considered a long and exacting list of warnings, but rather a set of instructions suitable for improving appliance performance in every respect and, above all, preventing injury to persons and animals and damage to property due to improper operating procedures.

All persons involved in appliance transport, installation, commissioning, use and maintenance, repair and disassembly must consult and carefully read this manual before carrying out the various operations, in order to avoid wrong and improper actions that could compromise the appliance's integrity or endanger people. Make sure to periodically inform the user regarding the safety regulations. It is also important to instruct and update personnel authorised to operate on the appliance, regarding its use and maintenance.

The manual must be available to operators and carefully kept in the place where the appliance is used, so that it is always at hand for consultation in case of doubts or whenever required.

If, after reading this manual, there are still doubts regarding appliance use, do not hesitate to contact the Manufacturer or the authorised Service Centre to receive prompt and precise assistance for better operation and maximum efficiency of the appliance. During all stages of appliance use, always respect the current regulations on safety, work hygiene and environmental protection. It is the user's responsibility to make sure the appliance is started and operated only in optimum conditions of safety for people, animals and property.



IMPORTANT

- The manufacturer declines any liability for operations carried out on the appliance without respecting the instructions given in this manual.
- The manufacturer reserves the right to modify the appliances presented in this publication without notice.
- No part of this manual may be reproduced.
- This manual is available in digital format by:
 - contacting the dealer or reference customer care;
 - downloading the latest and up to date manual on the web site www.electroluxprofessional.com;
- The manual must always be kept in an easily accessed place near the appliance. Appliance operators and maintenance personnel must be able to easily find and consult it at any time.

Contents

A	SAFETY INFORMATION	7
A.1	General information	7
A.2	General safety	7
A.3	Personal protection equipment	8
A.4	Safety signs to be placed on the appliance or near its area	8
A.5	Residual risks	9
A.6	Transport, handling and storage	9
A.7	Installation and assembly	10
A.8	Electrical connection	10
A.9	Electrical connection for appliances with plug	10
A.10	Electrical connection for appliances with cable without plug	10
A.11	Water connection	11
A.12	Positioning	11
A.13	Disposal of packing	11
A.14	Appliance disposal	11
B	GENERAL INFORMATION	11
B.1	Introduction	11
B.2	Copyright	11
B.3	Keeping the manual	11
B.4	Recipients of the manual	11
B.5	Definitions	11
B.6	Data plate position	11
B.7	Appliance and manufacturer's identification data	12
B.8	Type reference	12
B.9	Responsibility	12
B.10	Customer packaging checks	12
B.11	Storage	13
C	TECHNICAL DATA	13
C.1	Main technical characteristics	13
C.2	Power supply data table	13
C.3	Characteristics of power supply	13
D	TRANSPORT AND HANDLING	13
D.1	Introduction	13
D.2	Handling	14
D.2.1	Procedures for handling operations	14
D.2.2	Shifting	14
D.2.3	Placing the load	14
D.3	Customer packaging checks	14
E	INSTALLATION AND ASSEMBLY	14
E.1	Introduction	14
E.2	Customer's responsibilities	14
E.3	Unpacking	14
E.4	Positioning	15
E.5	Disposal of packing	16
E.6	Water connections	16
E.7	Hydraulic circuits	17
E.8	Electrical connections	17
E.8.1	Convertibility of three phases appliance	17
E.8.2	Terminal board of single phase appliance	18
E.9	Safety devices	18
F	PRODUCT DESCRIPTION	18
F.1	Appliance overview	18
G	CONTROL PANEL DESCRIPTION	18
G.1	Control panel	18
G.2	Basic control	18
G.2.1	Drain/self-cleaning icon	18
G.2.2	Secondary wash cycle icon	19
G.2.3	Control button	19
G.2.4	Connectivity icon	19
G.2.5	Alarm/Warning icon	19
H	COMMISSIONING	20
H.1	Preliminary checks, adjustments and operational tests	20
H.1.1	Check the positioning of tank components	20
H.1.2	Check if Drain/self-cleaning cycle works properly	20
I	APP CONNECTION	21
I.1	Intro	21
I.2	Register into One Connected	21
I.3	Download "AppOne" application	21
I.4	Login "AppOne" application with authentication (first use)	21
I.5	Login "AppOne" after authentication	23
I.6	Check the appliance status by "AppOne" application	23

J	PRIMING OF DETERGENTS	24
J.1	Detergent dispensers activation	24
J.1.1	Manual activation by control panel	24
J.1.2	Activation by “ AppOne ” application	25
K	DISPENSERS SETTING	26
K.1	Dispenser parameters	26
K.2	Change a parameter value	26
K.3	Detergent and rinse aid parameters list	27
L	TROUBLESHOOTING	27
L.1	General troubleshooting	27
M	ALARMS	29
M.1	Anomalies	29
M.2	Anomaly details	29
M.2.1	Alarm details	30
M.3	Alarm guide	30

A SAFETY INFORMATION

A.1 General information

To ensure safe use of the appliance and a proper understanding of the manual it is necessary to be familiar with the terms and typographical conventions used in the documentation. The following symbols are used in the manual to indicate and identify the various types of hazards:



WARNING

Danger for the health and safety of operators.



WARNING

Danger of electrocution - dangerous voltage.



CAUTION

Risk of damage to the appliance or the product.



IMPORTANT

Important instructions or information on the product



Equipotentiality



Read the instructions before using the appliance

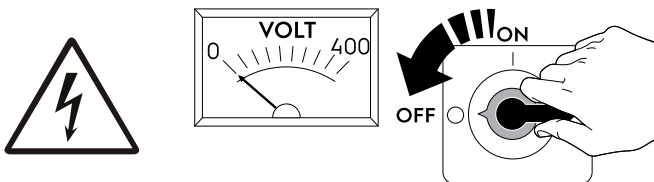


Clarifications and explanations

- Only specialised personnel are authorised to operate on the appliance.
- This appliance is intended to be used for commercial applications, for example in kitchens of restaurant, canteens, hospitals. It must be used for washing or drying plates, dishes, glassware, cutlery and similar articles.
- This appliance is not intended for use by persons (including children) with reduced physical, sensor or mental capabilities, or lack of experience and knowledge, unless they have been given supervision or instruction concerning use of appliance by a person responsible for their safety.
- Do not let children play with the appliance.
- Keep all packaging and detergents away from children.
- Cleaning and user maintenance shall not be made by children without supervision.
- For your safety do not store or use gasoline or other flammable materials, vapours and liquids in the vicinity of this or any other appliance.
- Do not store explosive substances, such as pressurized containers with flammable propellant, in this appliance.
- Refer to the data given on the appliance's data plate for relations with the Manufacturer (e.g. when ordering spare parts, etc.).
- When scrapping the appliance, the marking CE must be destroyed.
- Save these instructions carefully for further consultation by the various operators.

A.2 General safety

- The appliances are provided with electric and/or mechanical safety devices for protecting workers and the appliance itself.
- Never operate the appliance, removing, modifying or tampering with the guards, protection or safety devices.
- Do not make any modifications to the parts supplied with the appliance.
- Several illustrations in the manual show the appliance, or parts of it, without guards or with guards removed. This is purely for explanatory purposes. Do not use the appliance without the guards or with the protection devices deactivated.








Disconnect the appliance from the power supply before carrying out any installation, assembly, cleaning or maintenance procedure.

- Do not remove, tamper with or make illegible the CE marking, the safety, danger and instruction signs and labels on the appliance.
- The A-weighted emission sound pressure level does not exceed 70 dB(A).
- The following operations have to be carried out by specialised authorised personnel or Customer Care Service provided with all the appropriate personal protection equipment (A.3 *Personal protection equipment*), tools, utensils and ancillary means, who can ask the manufacturer to supply a servicing manual:
 - Installation and assembly
 - Positioning
 - Electrical connection

- Appliance cleaning, repair and extraordinary maintenance
- Appliance disposal
- Work on electrical equipment

A.3 Personal protection equipment

Summary table of the Personal Protection Equipment (PPE) to be used during the various stages of the appliance's service life.




Stage	Protective garments 	Safety footwear 	Gloves 	Glasses 	Safety helmet 
Transport	—	●	○	—	○
Handling	●	●	○	—	—
Unpacking	○	●	○	—	—
Installation	○	●	● ¹	—	—
Normal use	●	●	● ²	○	—
Adjustments	○	●	—	—	—
Routine cleaning	○	●	● ¹⁻³	○	—
Extraordinary cleaning	○	●	● ¹⁻³	○	—
Maintenance	○	●	○	—	—
Dismantling	○	●	○	○	—
Scrapping	○	●	○	○	—
Key:					
●	PPE REQUIRED				
○	PPE AVAILABLE OR TO BE USED IF NECESSARY				
—	PPE NOT REQUIRED				




1. During these operations, gloves must be cut-resistant. Failure to use the personal protection equipment by operators, specialized personnel or users can involve exposure to harm to health (depending on the model).

2. During these operations, gloves must be heatproof and suitable for contact with water and the substances used (refer to the safety data sheet of the substances used for the information regarding the required PPE). Failure to use the personal protection equipment by operators, specialised personnel or users can involve exposure to chemical risk and cause possible harm to health (depending on the model).

3. During these operations, gloves must be suitable for contact with chemical substances used (refer to the safety data sheet of the substances used for information regarding the required PPE). Failure to use the personal protection equipment by operators, specialized personnel or users can involve exposure to chemical risk and cause possible harm to health (depending on the model).

A.4 Safety signs to be placed on the appliance or near its area

Prohibition	Meaning
	do not oil, lubricate, repair and adjust moving parts
	do not remove the safety devices
	do not use water to extinguish fires (placed on electrical parts)

Danger	Meaning
	danger of crushing hands
	caution hot surface
	danger of electrocution (shown on electrical parts with indication of voltage)

A.5 Residual risks

The appliance has several risks that were not completely eliminated from a design standpoint or with the installation of adequate protection devices. Nevertheless, through this manual the Manufacturer has taken steps to inform operators of such risks, carefully indicating the personal protection equipment to be used by them. In order to reduce the risks, provide for sufficient spaces while installing the unit.

To preserve these conditions, the areas around the appliance must always be:

- kept free of obstacles (e.g. ladders, tools, containers, boxes, etc.);
- clean and dry;
- well lit.

For the Customer's complete information, the residual risks remaining on the appliance are indicated below: such actions are deemed improper and therefore strictly forbidden.

Residual risk	Description of hazardous situation
Slipping or falling	The operator can slip due to water, any liquid or dirt on the floor
Catching, dragging or crushing	<p>Catching or dragging of the operator or other persons in the drive, during the appliance work phase, due to improper actions, such as:</p> <ul style="list-style-type: none"> • placing an arm inside the appliance to remove a stuck rack without stopping the appliance by operating an emergency switch; • accessing the rack handling system without stopping the appliance by operating an emergency switch. <p>Use of improper clothing with loose parts (e.g. necklaces, scarves, shawls, ties, etc.) or long hair not gathered, which could get caught up in moving parts.</p>
Burns/abrasions (e.g. heating elements, cold pan, cooling circuit plates and pipes)	The operator deliberately or unintentionally touches some components inside the appliance without using protective gloves.
Stab wounds	The operator deliberately or unintentionally touches some components with sharp edges during the appliance cleaning without using protective gloves.
Burns	The operator deliberately or unintentionally touches some components inside the appliance or dishes at the outfeed without using gloves or without allowing them to cool.
Electrocution	Contact with live parts during maintenance operations carried out with the electrical panel powered
Falling from above	The operator intervenes on the appliance using unsuitable systems to access the upper part (e.g. rung ladders, or climbs on it)
Crushing or injury	The specialised personnel may not correctly fix the control panel when accessing the technical compartment. The panel could close suddenly.
Crushing or shearing	Possible risk of injury to upper limbs during the hood closing operation.
Tipping of loads	When handling the appliance or the packing containing it, using unsuitable lifting systems or accessories or with the unbalanced load
Chemical	Contact with chemical substances (e.g. detergent, rinse aid, scale remover, etc.) without taking adequate safety precautions. Therefore always refer to the safety cards and labels on the products used.
Shearing of upper limbs	The operator for normal appliance use could suddenly and deliberately close the doors/front panels (if present, depending on the appliance type).

A.6 Transport, handling and storage

- Transport (i.e. transfer of the appliance from one place to another) and handling (i.e. transfer inside workplaces) must occur with the use of special and adequate means.
- Please refer to indications on packaging for stackability during transport, handling and storage.

- Do not stand under suspended loads during loading or unloading operations. Unauthorized personnel must not enter the work area.
- The weight of the appliance alone is not sufficient to keep it steady.
- For appliance handling, do not lift and anchor it to movable or weak parts such as: casings, electrical raceways, pneumatic parts, etc.
- Do not push or pull the appliance to move it, as it may tip over. Use proper tool to lift the appliance.
- Arrange a suitable area with flat floor for appliance unloading and storage operations.
- Appliance transport, handling, shifting and storage personnel must be adequately instructed and trained regarding the safely use of lifting systems and personal protection equipment suitable for the type of operation carried out.
- When removing the anchoring systems, make sure the stability of the appliance parts does not depend on the anchoring and, therefore, that this operation does not cause the load to fall off the vehicle. Before unloading the appliance components, make sure all the anchoring systems are removed.

A.7 Installation and assembly

- The operations described must be carried out in compliance with the current safety regulations and provisions in force in the country of use.
- Do not install a damaged appliance. Any missing or faulty parts must be replaced with original parts.
- Make sure that the floor where you install the appliance is flat, stable, heat resistant and clean.
- If available, make sure to install the accessory to fix the appliance to the floor or on the support. Refer to E *INSTALLATION AND ASSEMBLY* for the instructions.
- Use a ladder with suitable protection for work on appliances with high accessibility.
- Do not install the appliance over 2000 meters above sea level.
- The appliance is not suitable for installation outdoors and/or in places exposed to atmospheric agents (rain, direct sunlight, etc.).

A.8 Electrical connection

- The power supply system must be suitable for the rated current of the connected appliance; the connection must be carried out in compliance with the regulations and provisions in force in the country of use.
- The information regarding the appliance power supply voltage and frequency is given on the data plate.
- If the power cable is damaged or too short, it must be replaced by the Customer Care Service or in any case by specialised personnel, in order to prevent any risk.
- The manufacturer declines any liability for damage or injury resulting from breach of the above rules or non-compliance with the electrical safety regulations in force in the country where the appliance is used.
- The appliance must be correctly earthed.



NOTE!

The manufacturer is not responsible for the consequences of an inadequate earthing system.

- If present, connected the appliance to the equipotential protection circuit[▽].
- To protect the power supply of the appliance against short circuits and/or overloads, install a thermal fuse or a suitable automatic thermal magnetic circuit breaker, ADS (Automatic Disconnection of Supply).
- To protect the power supply of the appliance against current leakages, install between the power cable and the electric line, a suitable high-sensitivity manual-reset differential omnipolar thermal-magnetic switch with contact gap enabling complete disconnection in category III overvoltage conditions and complying with the current regulations.
- For protection against indirect contacts (depending on the type of supply provided for and connection of earths to the equipotential protection circuit[▽]) refer to point 6.3.3 of EN 60204-1 (IEC 60204-1) with the use of protection devices that ensure automatic cut-off of the supply in case of isolation fault in the TN or TT systems or, for IT systems, the use of isolation controllers or differential current protection devices to activate automatic power disconnection (an isolation controller must be provided for indicating a possible first earth fault of a live part, unless a protection device is supplied for switching off the power in case of a such a fault. This device must activate an acoustic and/or visual signal which must continue for the entire duration of the fault). For example: in a TT system, a residual current device with cut-in current (e.g. 30 mA) coordinated with the earthing system of the building where the appliance is located must be installed ahead of the supply.

A.9 Electrical connection for appliances with plug

- To connect to the power supply, insert the power cable plug in the corresponding mains socket, first making sure:
 - the socket has an efficient earth contact and the mains voltage and frequency match that given on the dataplate. In case of any doubts regarding the efficiency of the earth connection have the system checked by specialised personnel.
 - the system power supply is arranged and able to take the actual current absorption and that it is correctly executed according to the regulations in force in the country of use.
- The plug must be accessible after positioning the appliance in the place of installation.
- The plug must be in a position always visible to the operator performing the intervention during maintenance operations.

A.10 Electrical connection for appliances with cable without plug

- The connection point has an efficient earth contact and the mains voltage and frequency match that given on the data plate. In case of doubts regarding the efficiency of the earth wire, have the system checked by specialised personnel.
- The appliance must be permanently connected to the power supply, respecting the polarities:
 - brown/black/gray: phase
 - yellow/green: earth
 - blue: neutral
- The differential thermal-magnetic switch must be lockable in the open position in case of maintenance.

- It must be installed between the power cable and the electric line, a suitable high-sensitivity manual-reset differential omnipolar thermal-magnetic switch with contact gap enabling complete disconnection in category III overvoltage conditions and complying with the current regulations.

A.11 Water connection

- The plumbing connections must be carried out by a specialised personnel.
- The machine is to be connected to the water mains using the new supplied hose-sets. Do not use old hose sets.
- Always use a new set of joints if you remove and re-install the water inlet pipe to the machine.
- Before connection to new pipes, pipes not used for a long time, where repair work has been carried out or new devices fitted (water meters, etc.), let the water flow until it is clean and clear.
- The operating water pressure (minimum and maximum) must be between:
 - 200 kPa [2 bar] and 500 kPa [5 bar] for appliances without rinse pump;
- Make sure that there are no visible water leaks during and after the first use of the machine.
- Install an approved dual check valve upstream according to the regulation of the installation country.

A.12 Positioning

- Install the appliances, taking all the safety precautions required for this type of operation, also respecting the relevant fire-prevention measures.

A.13 Disposal of packing

- Dispose of each packaging items respecting the current regulation in the country of installation.

A.14 Appliance disposal

- Make the appliance unusable by removing the power cable and any compartment closing devices, to prevent the possibility of someone becoming trapped inside.

B GENERAL INFORMATION

B.1 Introduction

This manual contains information relevant to various appliances. The product images in this guide are only an example.

The drawings and diagrams given in the manual are not in scale. They supplement the written information with an outline, but are not intended to be a detailed representation of the appliance supplied.

The numerical values given on the appliance installation diagrams refer to measurements in millimeters and/or inches.

B.2 Copyright

This manual is intended solely for consultation by the operator and can only be given to third parties with the permission of Electrolux Professional SpA company.

B.3 Keeping the manual

The manual must be carefully kept for the entire life of the appliance, until scrapping. The manual must stay with the appliance in case of transfer, sale, hire, granting of use or leasing.

B.4 Recipients of the manual

This manual is intended for:

- the carrier and handling personnel;
- installation and commissioning personnel;
- specialised personnel (see service manual).

B.5 Definitions

Listed below are the definitions of the main terms used in the manual. It is advisable to read them carefully before use.

Operator	appliance installation, adjustment, use, maintenance, cleaning, repair and transport personnel.
Manufacturer	Electrolux Professional SpA or any other service centre authorised by Electrolux Professional SpA.
Operator for normal appliance use	an operator who has been informed and trained regarding the tasks and hazards involved in normal appliance use.

Customer Care service or specialised personnel	an operator instructed/trained by the Manufacturer and who, based on his professional and specific training, experience and knowledge of the accident-prevention regulations, is able to appraise the operations to be carried out on the appliance and recognise and prevent any risks. His professionalism covers the mechanical, electrotechnical and electronics fields etc.
Danger	source of possible injury or harm to health.
Hazardous situation	any situation where an operator is exposed to one or more hazards.
Risk	a combination of probabilities and risks of injury or harm to health in a hazardous situation.
Protection devices	safety measures consisting of the use of specific technical means (guards and safety devices) for protecting operators against risks.
Guard	an element of a appliance used in a specific way to provide protection by means of a physical barrier.
Safety device	a device (other than a guard) that eliminates or reduces the risk; it can be used alone or in combination with a guard.
Customer	the person who purchased the appliance and/or who manages and uses it (e. g. company, entrepreneur, firm).
Electrocution	an accidental discharge of electric current on a human body.
Emergency stop device	a group of components intended for the emergency stop function; the device is activated with a single action and prevents or reduces damage to persons/appliances/property/animals.

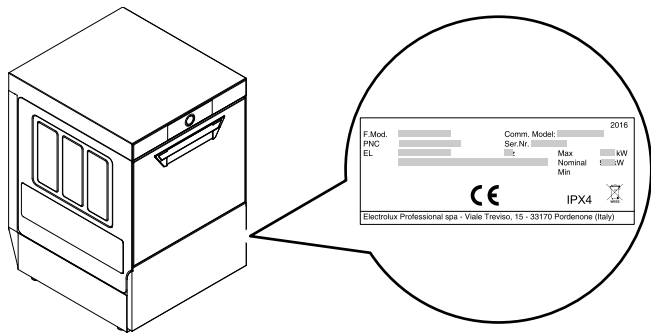
B.6 Data plate position

The data plate is located on the front or side panel of the equipment



IMPORTANT

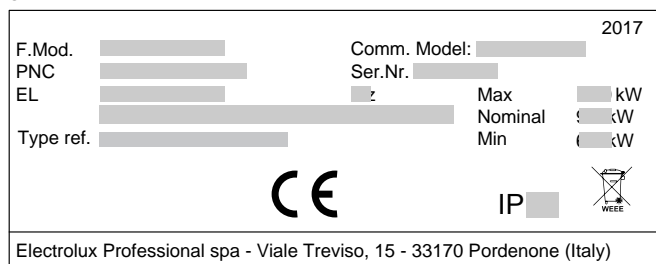
Refer to the data given on the machine's data plate for relations with the Customer Care service or the Manufacturer.



B.7 Appliance and manufacturer's identification data

The data plate gives the product identification and technical data.

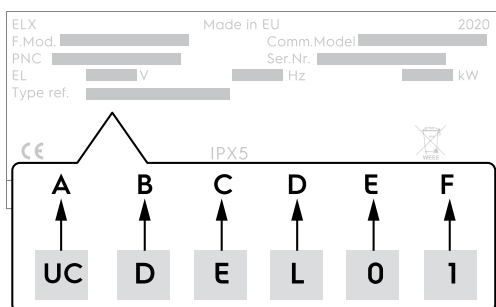
An example of the marking or data plate on the appliance is given below:



The meaning of the various information given on it is listed below:

F.Mod.	factory description of product
Comm.Mod.	commercial description
PNC	production number code
Ser.No.	serial number
Type ref.	certification group of the appliance
V	power supply voltage
Hz	power supply frequency
kW	power input
	<ul style="list-style-type: none"> max. nominal min.
	WEEE symbol
IPX4	dust and water protection rating

B.8 Type reference



Legend

A	Type of appliance
	<ul style="list-style-type: none"> UC = Under counter
B	Type of item to wash
	<ul style="list-style-type: none"> D = Normal tableware

Legend (cont'd.)

C	Appliance level
	<ul style="list-style-type: none"> E = Entry
D	Rinsing type
	<ul style="list-style-type: none"> L = Pressure P = Rinse pump
E	Boiler heating power
	<ul style="list-style-type: none"> 0 = 2800 W 1 = 4500 W
F	Plug type
	<ul style="list-style-type: none"> 0 = no plug 1 = Shuko plug (plug type F) 2 = UK plug (plug type G)

B.9 Responsibility

The Manufacturer declines any liability for damage and malfunctioning caused by:

- non-compliance with the instructions contained in this manual;
- repairs not carried out in a workmanlike fashion, and replacements with parts different from those specified in the spare parts catalogue (the fitting and use of non-original spare parts and accessories can negatively affect appliance operation and invalidates the original manufacturer warranty);
- operations carried out by non-specialised personnel;
- unauthorized modifications or operations;
- missing, lack or inadequate maintenance;
- improper appliance use;
- unforeseeable extraordinary events;
- use of the appliance by uninformed and / or untrained personnel;
- non-application of the current provisions in the country of use, concerning safety, hygiene and health in the workplace.

The Manufacturer declines any liability for damage caused by arbitrary modifications and conversions carried out by the user or the Customer.

The employer, workplace manager or service technician are responsible for identifying and choosing adequate and suitable personal protection equipment to be worn by operators, in compliance with regulations in force in the country of use.

The Manufacturer declines any liability for inaccuracies contained in the manual, if due to printing or translation errors.

Any supplements to the installation, use and maintenance manual the Customer receives from the Manufacturer will form an integral part of the manual and therefore must be kept together with it.

B.10 Customer packaging checks

- The forwarder is responsible for the goods during transport and delivery.
- Make a complaint to the forwarder in case of visible or hidden damage.
- Specify any damage or shortages on the dispatch note.
- The driver must sign the dispatch note: the forwarder can reject the claim if the dispatch note is not signed (the forwarder can provide the necessary form).
- For hidden damage or shortages becoming apparent only after unpacking, request the forwarder for inspection of the goods within and no later than 15 days after delivery.

After packaging checks

- Remove the packaging.
Take care when unpacking and handling of the appliance to not cause any shocks on itself.
- Keep all the documentation contained in the packaging.

B.11 Storage

The appliance and/or its parts must be stored and protected from damp, in a non-aggressive place, free of vibrations and with room temperatures between -10°C [14°F] and 50°C [122°F].

The place where the appliance is stored must:

- can take the appliance load,
- have a flat support surface to avoid deforming the appliance or damage to the support feet.

C TECHNICAL DATA

C.1 Main technical characteristics



NOTE!

To locate the dataplate, refer to B.6 *Data plate position*.

Power supply voltage	V	Please refer to dataplate
convertible to		
Frequency	Hz	Please refer to dataplate
Max. power	kW	Please refer to dataplate
Nominal power	kW	Please refer to dataplate
Min. power	kW	Please refer to dataplate
Power supply cable		H07RN-F
Water supply pressure	kPa [bar]	200 kPa [2 bar] 500 kPa [5 bar]
Water supply temperature:	°C	> 50
Rinse cycle water consumption	l	2 - 2.4
Boiler capacity	l	5.8
Wash tank capacity	l	20
Water supply hardness for models without incorporated continuous water softener	°f/°d/°e	14/8/10 max
Water supply hardness for models with incorporated water softener		53.4/30/35.7 max
Electric conductivity of water for models without incorporated continuous water softener	µS/cm	<400
Concentration of chlorides in water	ppm	<20
Legal noise level Leq	dB[A]	LpA:68dB-KpA:1.5dB
Protection rating	IP	Please refer to dataplate

C.2 Power supply data table

Max. power	400-440V - 3~		380-415V - 3N~		220-240V - 3~		220-240V - 1N~	
	C ¹	S ²	C ¹	S ²	C ¹	S ²	C ¹	S ²
3.3 kW							3x1.5 mm ²	25A 1P + N
5.35 kW	4x2.5 mm ²	16A 3P	5x2.5 mm ²	16A 3P + N	4x4 mm ²	20A 3P		
6.85 kW	4x2.5 mm ²	16A 3P	5x2.5 mm ²	16A 3P + N	4x4 mm ²	20A 3P		
7.35 kW	4x2.5 mm ²	16A 3P	5x2.5 mm ²	16A 3P + N	4x4 mm ²	25A 3P		

1. Size of power supply cable

2. Size of mains switch

C.3 Characteristics of power supply

The AC power supply to the machine must meet the following conditions:

- max. voltage variation $\pm 6\%$
- max. frequency variation $\pm 1\%$ continuous $\pm 2\%$ for a short period.

Harmonic distortion, unbalanced three-phase supply voltage, voltage pulses, interruption, dips and the other electric characteristics must respect the provisions of point 4.3.2 of Standard EN 60204-1 (IEC 60204-1).

D TRANSPORT AND HANDLING



WARNING

Refer to “Safety Information”.

D.1 Introduction

Transport (i.e. transfer of the appliance from one place to another) and handling (i.e. transfer inside workplaces) must occur with the use of special and adequate means.



CAUTION

The appliance must only be transported, handled and stored by specialised personnel, who must have:

- specific technical training and experience in the use of lifting systems;
- knowledge of the safety regulations and applicable laws in the relevant sectors;
- knowledge of the general safety rules;
- personal protection equipment suitable for the type of operation carried out;
- the ability to recognize and avoid any possible hazard.



IMPORTANT

Immediately check for any damage caused during transport.
Inspect the packaging before and after unloading.

D.2 Handling

Arrange a suitable area with flat floor for appliance unloading and storage operations.

D.2.1 Procedures for handling operations

Before lifting:

- send all operators to a safe position and prevent persons from entering the handling area;
- make sure the load is stable;
- make sure no material can fall during lifting. Manoeuvre vertically in order to avoid impacts;
- handle the appliance, keeping it at minimum height from the ground.

For correct and safe lifting operations:

- use the type of equipment most suitable for characteristics and capacity (e.g. electric pallet truck or lift truck);

- cover sharp edges;
- check the forks and lifting procedures according to the instructions given on the packing.

D.2.2 Shifting

The operator must:

- have a general view of the path to be followed;
- stop the manoeuvre in case of hazardous situations.

D.2.3 Placing the load

- Before placing the load, make sure the way is free and that the floor is flat and can take the load.
- Remove the appliance from the wooden pallet, move it to one side, then slide it onto the floor.

D.3 Customer packaging checks

- The forwarder is responsible for the goods during transport and delivery.
- Make a complaint to the forwarder in case of visible or hidden damage.
- Specify any damage or shortages on the dispatch note.
- The driver must sign the dispatch note: the forwarder can reject the claim if the dispatch note is not signed (the forwarder can provide the necessary form).
- For hidden damage or shortages becoming apparent only after unpacking, request the forwarder for inspection of the goods within and no later than 15 days after delivery.

After packaging checks

1. Remove the packaging.
Take care when unpacking and handling of the appliance to not cause any shocks on itself.
2. Keep all the documentation contained in the packaging.

E INSTALLATION AND ASSEMBLY

E.1 Introduction



WARNING

Refer to “*Safety Information*”.

To ensure correct operation of the appliance and maintain safe conditions during use, carefully follow the instructions given in this chapter.

Check and, if necessary, level the appliance after positioning. Incorrect levelling can cause appliance malfunctioning.

E.2 Customer's responsibilities

The tasks and works required of the Customer are:

- check the floor planarity on which the appliance is placed;
- arrange an earthed power socket of suitable capacity for the input specified on the data plate;
- installation of an adequate electrical power supply ahead of the appliance, according to the equipment's technical specifications (Main technical characteristic and Characteristics of power supply);
- if present, the equipotential connection ∇ of the workplace electrical system to the metal structure of the appliance by means of a copper cable of adequate section;
- if present, the water supply and drain connections and other connections as indicated in the technical data table and in the installation diagram;
- arrangement of general workplace lighting to guarantee at least 500 lx according to point 5.2.2 of EN 12464-1 or according to a value established by the current regulations in the country of use;

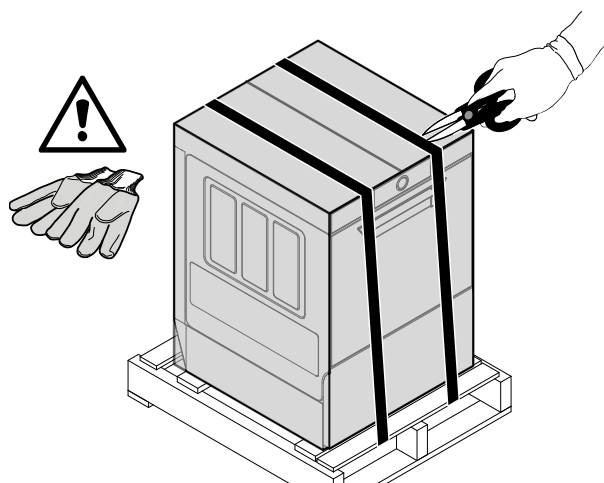


NOTE!

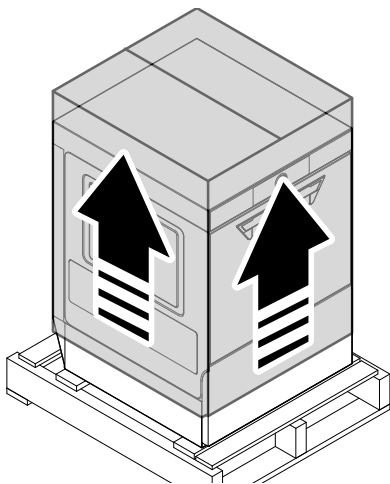
For information regarding the electrical connection, refer to “*A.8 Electrical connection*”.

E.3 Unpacking

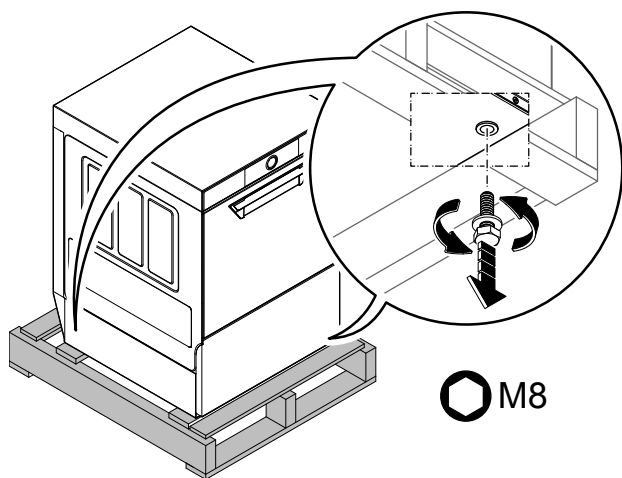
- With scissors or blades, cut the straps taking care not to scratch the surface.



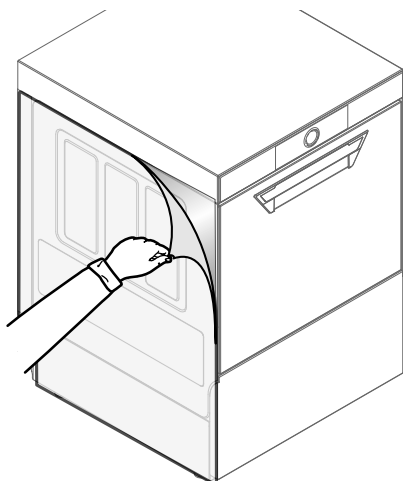
- Remove the cardboard packaging.



- Remove the two hex screws to unlock the appliance from the wooden pallet.



- Slowly, remove the protective film without tearing it, to avoid leaving glue stuck to the surface.



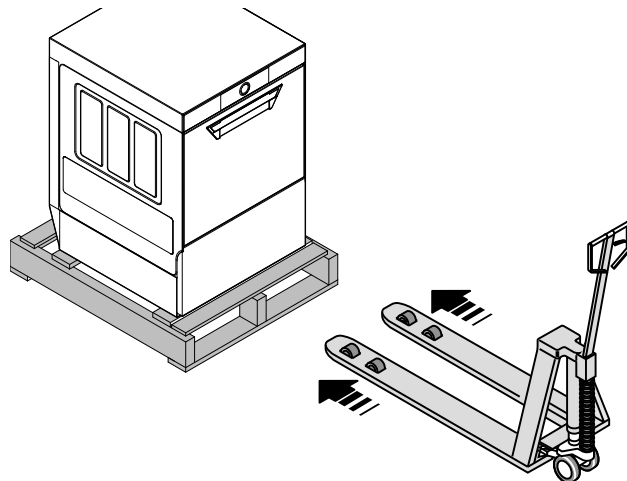
NOTE!

Should this happen, remove the traces of glue with a non-corrosive solvent, rinsing it off and drying thoroughly.

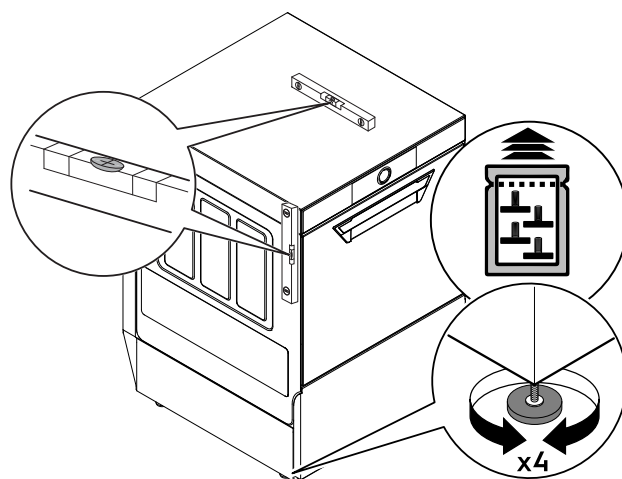
- It is advisable to go over all the stainless steel surfaces with a rag soaked in paraffin oil in order to create a protective film.

E.4 Positioning

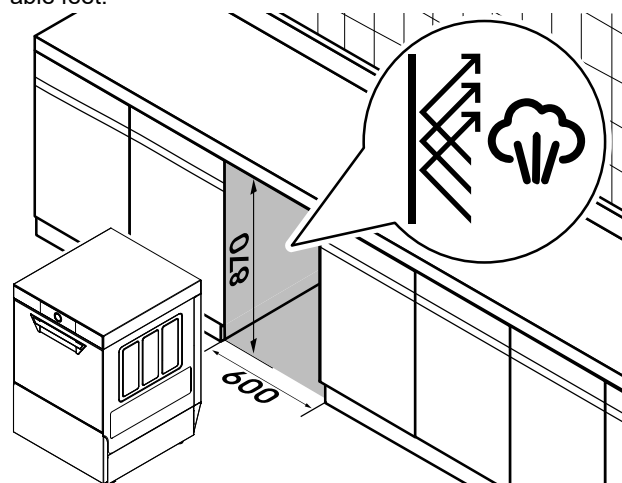
- With a lift truck, lift the equipment to move it to the place of installation.



- Install the 4 feet and level the appliance by turning the adjustable feet. Use a spirit level to check that the appliance is perfectly level both length wise and crosswise.



- If the appliance is installed under a work plan, the dimensions of the space, where it is inserted, must be the same as those shown in the following figure. Position the appliance and level it by turning the relative height-adjustable feet.

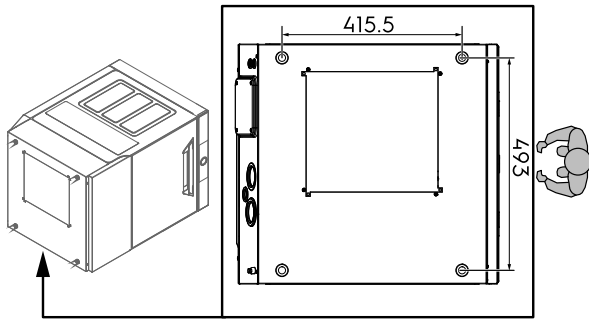


**CAUTION**

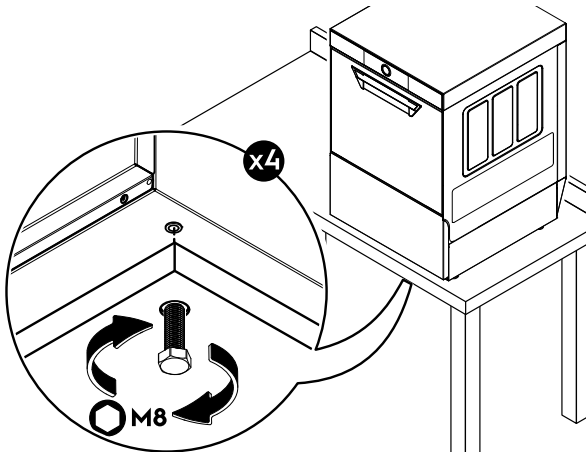
During the washing cycles, small amounts of steam may escape from the dishwasher door. Protect all unsuitable materials exposed to the dishwasher steam and detergents. If you must insert the dishwasher under a work plan, make sure to shield all surfaces close to the dishwasher with materials resistant to moisture and steam.

- If the dishwasher is installed on a special support (eg.: work plan), follow these steps:

1. Make 4 holes $\varnothing = 9$ mm on the support respecting the distances shown in the figure below.



2. Put the appliance on the support by matching the holes just made with the seats of the feet in the appliance bottom panel (see following figure).
3. Fix the dishwasher steadily using M8 hex screws.

**E.5 Disposal of packing**

The packing must be disposed of in compliance with the current regulations in the country where the appliance is used. All the packing materials are environmentally friendly.

	Polypropylene • Straps
	Paper • Cardboard packaging

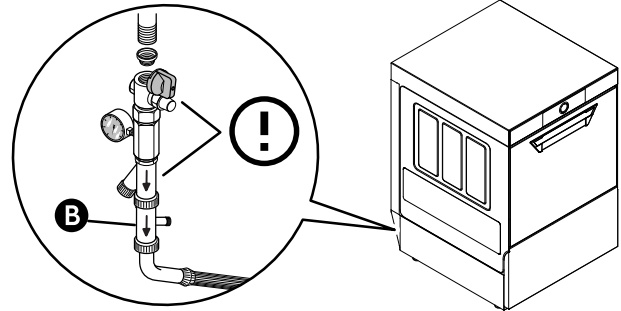
**NOTE!**

The parts in wood can be disposed of, respecting the current regulations in the country where the appliance is used.

E.6 Water connections**CAUTION**

Always use a new set of joints if you remove and reinstall the water inlet pipe to the appliance.

- Connect the appliance water supply pipe "WI" (see the *Installation diagram*) to the mains, fitting a cut-off tap, the filter provided and a pressure gauge between the appliance and the mains (see figure below).
- In models with incorporated water softener and in some specific models, connect the double non-return valve **B** supplied and the machine supply pipe (see figure below).



- Check that the dynamic water supply pressure, measured between the appliance and the main, is between 200 kPa [2 bar] and 500 kPa [5 bar] for machines with pressure boiler (test while dishwasher tank or boiler is filling with water).

**NOTE!**

If the pressure is too high, fit a suitable pressure reducer on the inlet pipe.

- On the model with free-fall drainage: connect the waste outlet pipe (detail "D" in the *Installation diagram*) to the main drain pipe, fitting a trap, or place the outlet pipe over an "S" trap set into the floor.
- On the model with drain pump: position the outlet pipe at a height anywhere between 0 mm and 850 mm from the floor. Depending on the model, check that from 2 L to 3 L of water flow out of the outlet pipe during the rinse cycle.

**CAUTION**

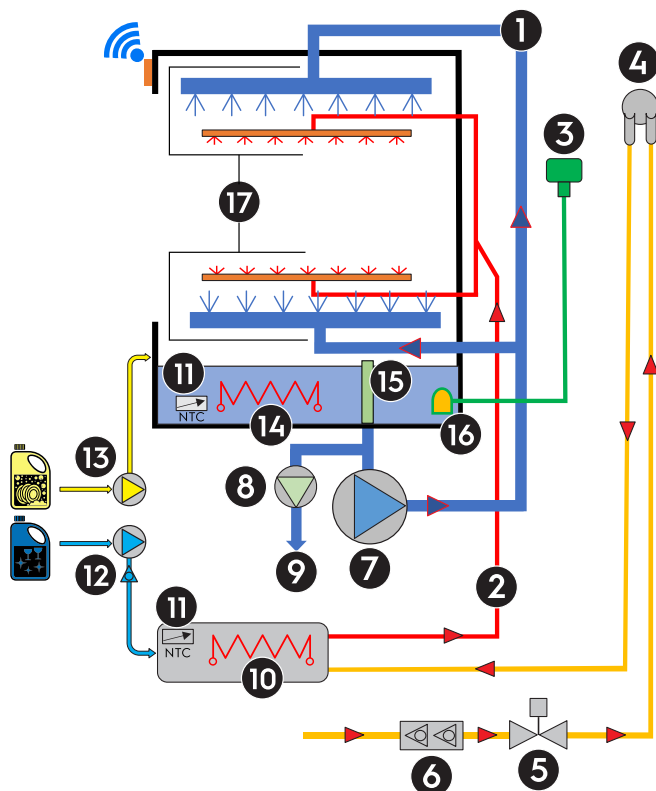
Make sure drain pipe does not kink, pinch or twist, resulting in a water flow restriction.

**IMPORTANT**

- Watermark labelled appliances must be installed in accordance with Plumbing Code of Australia (PCA).
- ONLY for Singapore market:
 - for all the appliance with pressure rinse, INSTALL in the main hydraulic circuit a pressure reducer;¹
 - start the appliance and, during filling phase of the wash tank, set the pressure reducer to 200 kPa [2 bar].

1. The pressure reducer is not provided with the appliance.

E.7 Hydraulic circuits



LEGEND

1	Wash circuit
2	Rinse circuit
3	Tank level sensor
4	DVGW valve
5	Water inlet valve
6	Double check valve (depending on the model)
7	Wash pump
8	Drain pump (depending on the model)
9	Drain
10	Boiler heating element
11	Temperature sensor
12	Rinse aid pump
13	Liquid detergent pump
14	Tank heating element
15	Overflow
16	Tank air trap
17	Wash and rinse arms (upper and lower)

E.8 Electrical connections

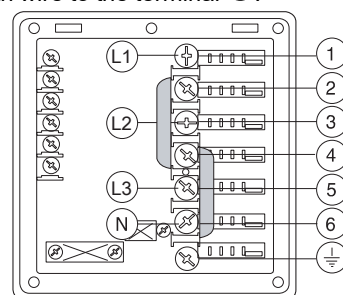
- Connection to the power supply must be carried out in compliance with the regulations and provisions in force in the country of use.

- Make sure the machine power supply voltage specified on the rating plate matches the mains voltage.
- Make sure the system power supply is arranged and able to take the actual current load and that it is executed in a workmanlike manner according to the regulations in force in the country of use.
- The earth wire from the terminal board side must be longer (max 20 mm) than the phase wires.
- Connect the power cable earth wire to an efficient earth. The equipment must also be included in an equipotential system, whose connection is made by means of screw EQ (see par. *Installation diagram*) indicated by the symbol ∇ . The equipotential wire must have a section of at least 10 mm².

E.8.1 Convertibility of three phases appliance

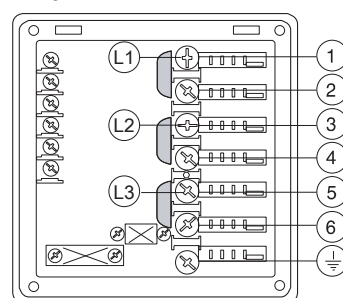
Power supply 380-415V 3N

Open the power supply terminal board and insert the jumpers provided as follows: one jumper between terminals 2 and 4 and another between terminals 4 and 6. Using a suitable power supply cable (see C *TECHNICAL DATA* table), connect the three phases to terminals 1, 3 and 5, the neutral to terminal 6 and the earth wire to the terminal \perp .



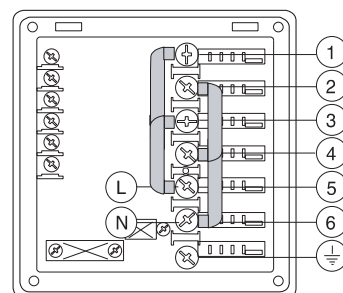
Power supply 220 - 230V 3

Open the power supply terminal board and insert the jumpers provided as follows: one jumper between terminals 1 and 2, one between terminals 3 and 4 and another between terminals 5 and 6. Using a suitable power supply cable (see C *TECHNICAL DATA* table) connect the three phases to terminals 1, 3 and 5 and the earth wire to the terminal \perp .




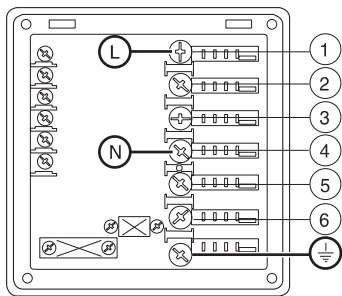
Power supply 220 - 230V 1N

Open the power supply terminal board and insert the jumpers provided as follows: two jumpers between terminals 1, 3, 5 and another two between terminals 2, 4 and 6. Using a suitable power supply cable (see C *TECHNICAL DATA* table), connect the phase and neutral to terminals 5 and 6 respectively and the earth wire to the terminal \perp .



E.8.2 Terminal board of single phase appliance

Open the power supply terminal board. Using a suitable power supply cable (see C TECHNICAL DATA table) connect the phase and neutral to terminals 1 and 4 respectively and the earth wire to the terminal .



E.9 Safety devices

- An automatic-reset overload protector incorporated in the electric pump windings cuts off the power to the pump in case of faulty operation.
- A device prevents the booster water from returning back into the system in the event of a water supply system fault.
- An overflow pipe connected to the discharge ensures a constant water level in the tank.
- If the water level in the tank is too high, the drain pump (if present) automatically activates to empty out the excess water.

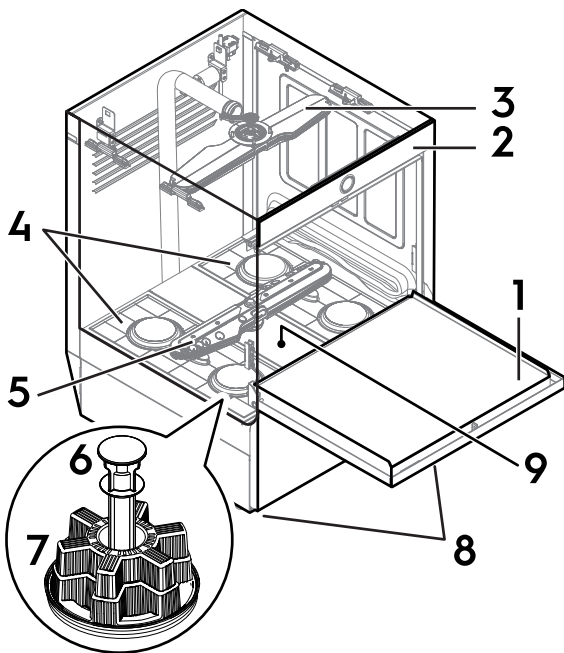


IMPORTANT

The Manufacturer declines any liability if the accident-prevention regulations are not respected.

F PRODUCT DESCRIPTION

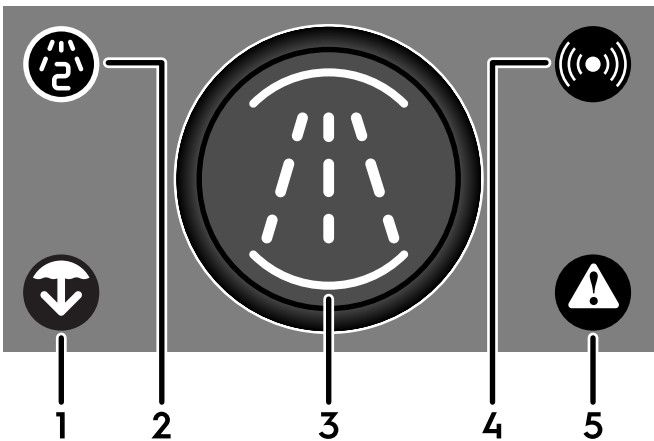
F.1 Appliance overview



1	Door
2	Control panel
3	Upper wash and rinse arm
4	Tank filters
5	Lower wash and rinse arm
6	Overflow
7	Drain filter
8	Adjustable feet
9	Central support

G CONTROL PANEL DESCRIPTION

G.1 Control panel



4	Connectivity icon
5	Warning/Alarm icon


G.2 Basic control

G.2.1 Drain/self-cleaning icon



IMPORTANT

Make sure to remove the overflow before to start the drain/self-cleaning cycle.

This icon  lights up in white when the drain/self-cleaning cycle is active.

With the appliance ready to use, touch and hold the control button **3** for 2 seconds to start the drain/self-cleaning cycle.



NOTE!

By default, during the shutdown, the appliance starts the drain/self-cleaning cycle.



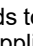
1	Drain/self-cleaning icon
2	Secondary wash cycle icon
3	Control button

Icon status


Icon blinks in yellow. ¹	The appliance suggest you to execute a drain/self-cleaning cycle (available soon).
Icon is on in white.	Drain/self-cleaning cycle is running.

1. It is not mandatory. If the user does not start drain/self-cleaning cycle, after some time, the icon stops to blink.

Switch the appliance off WITHOUT complete the drain/self cleaning cycle

1. Close the door.
2. With the appliance ready to use, touch and hold the control button  for 2 seconds to start the drain/self-cleaning cycle.
The icon  is on in white to confirm that the drain/self-cleaning cycle is in progress.
3. When the cycle starts, touch and hold again the control button  for 2 seconds to stop the drain/self-cleaning cycle and switch the appliance off.

G.2.2 Secondary wash cycle icon

This icon  lights up when the secondary wash cycle is enabled.



NOTE!
Secondary wash cycle is now enabled for all next wash cycles.

G.2.3 Control button

Touch the control button for 2 seconds to switch the appliance on. The buzzer sounds.

The different colours of the control button (orange, green, light blue and purple) correspond to different status of the appliance.

Control button colours




Control button is off.	The appliance is off.
Control button is off and the Alarm/Warning icon is on in red.	The appliance is in alarm or warning status. Refer to M.2 <i>Anomaly details</i> how to fix it.
Control button is orange. ¹	The appliance is on and in warm-up status. The warm-up is the state in which the appliance fills the water in the wash tank and in the boiler.
Control button blinks in orange.	The door is opened during the warm up.
Control button pulses in orange.	In this state, the appliance stops to fill water and continues the heating phase. ²
Control button is steady green.	The appliance is ready for use.
Control button is light blue.	The washing cycle is working.

Control button colours (cont'd.)


Control button blinks in light blue.	The door is opened during the washing cycle.
Control button is flashing green.	The washing cycle is finished.
Control button is purple.	Manual activation of the detergent dispensers.

1. The control button is in orange during the entire filling stage.
2. It is possible starts to wash but with low washing performances.


G.2.4 Connectivity icon

This icon  lights up to indicate that the appliance is connected to smartphone application or cloud environment.

Icon status colours

Icon is light blue.	The smartphone application "AppOne" and the appliance have established a bluetooth connection.
Icon blinks in white.	The smartphone application "AppOne" and the appliance is establishing a remote connection to cloud (available soon).
Icon is white.	The remote connection to cloud is active (available soon).  NOTE! For the remote control activation, you must touch the "Control button" to approve the connection.

G.2.5 Alarm/Warning icon

This icon  lights up when some kind of problem occurs. The buzzer sounds.

Icon status colours

Icon is on in yellow.	Warning icon. The error does not block the appliance. The user can continue to use the appliance.
Icon blinks in red while the buzzer sounds. After few seconds icon is on.	Alarm icon. The error blocks the appliance. The user must switch the appliance off and call the service centre.



NOTE!
Open the smartphone application "AppOne", touch the Alerts tab to see Alarm/Warning notification (refer to M.2 *Anomaly details*).

H COMMISSIONING

H.1 Preliminary checks, adjustments and operational tests



WARNING

These operations must only be carried out by specialised personnel provided with adequate personal protection equipment (e.g. safety footwear, gloves, glasses, etc.), tools and suitable ancillary equipment with the appliance switched off and cold.

Electrical and plumbing checks

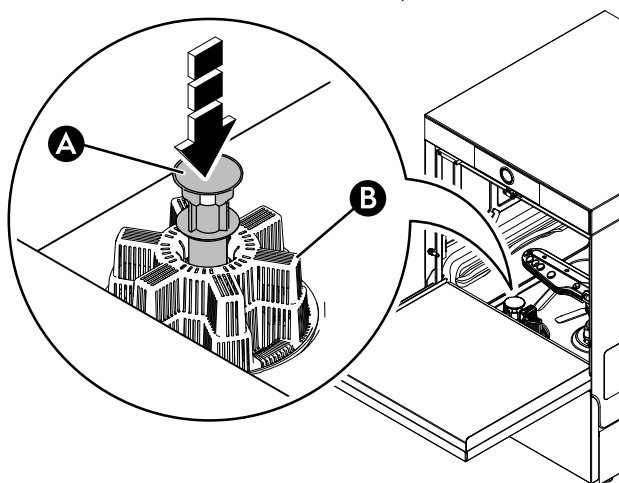
Before starting the machine:

- check correct connection of the electrical wires that feed the appliance;
- make sure the power supply voltage and frequency match the data given in the technical data table (C *TECHNICAL DATA*);
- check correct connection of the water supply and drain pipes (see paragraph E.6 *Water connections*);
- make sure all the guards, safety devices and emergency switches are in place and efficient.

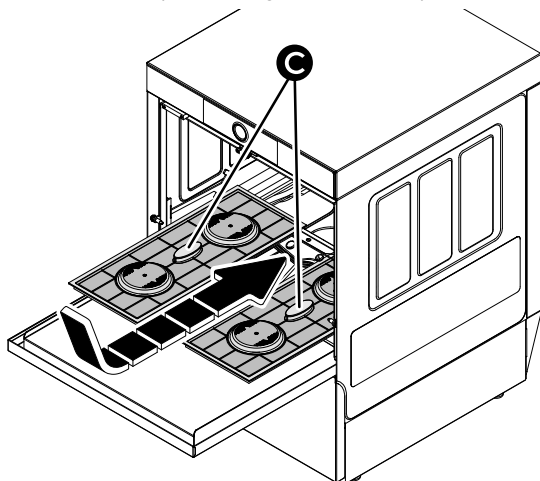
H.1.1 Check the positioning of tank components

Make sure that the below components are correctly fitted:

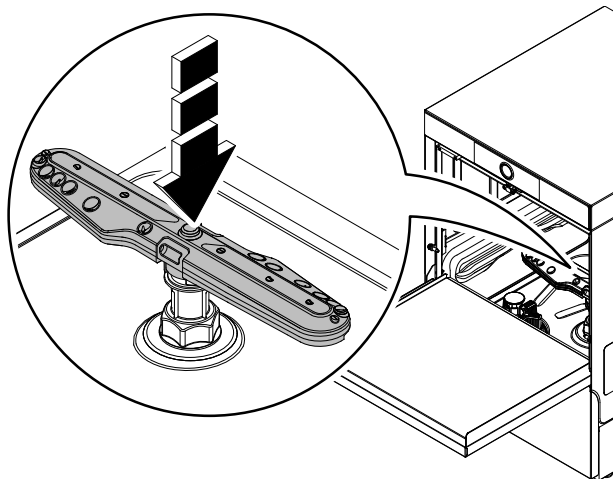
- the overflow "A" and the drain filter "B";



- the tank filters "C" (depending on the model);



- the upper and lower wash and rinse arms.



H.1.2 Check if Drain/self-cleaning cycle works properly

Touch the control button to switch the appliance on.





NOTE!

For the meaning of the control button colours, please refer to G.2 *Basic control* chapter.

Wait for the end of the warm up.

When the appliance is ready to work, follow the below instructions to execute the Drain/self-cleaning cycle.

1. Open the door.
2. Remove the flat filters and the overflow.
3. Close the door.
4. Start the drain/self-cleaning cycle by pressing control button for 2 seconds.
5. The icon  is on in white to confirm the execution of the drain/self-cleaning cycle.
6. After a few minutes, the icon  is off and the buzzer sounds to confirm the end of the cleaning cycle.



NOTE!

At the end of the drain/self-cleaning cycle the appliance is off.

7. Open the door and check that the wash tank is completely empty.
8. Refit the overflow and the flat filters.

I APP CONNECTION

I.1 Intro



IMPORTANT

Minimum requirements for your smartphone:

- Android operating system: 8.0 Oreo
- Apple iOS: 16.4

To use all functionalities of your appliance it is necessary download and install on a smartphone device the “**AppOne**” application available on Google Play and Apple Store (available soon).

After preliminary contact with the technical department, you will receive in your mail account an invitation mail from “One-Connected-Dev” with a link to complete the registration and execute the first access.

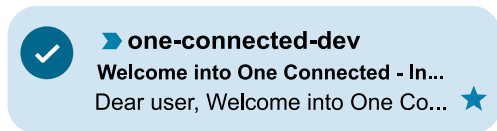
Read the mail and click the attached link directly from your smartphone.

Use this smartphone application to receive useful information about:

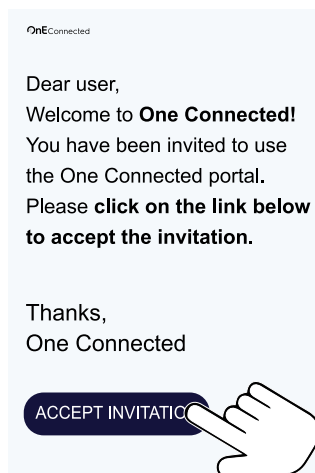
- factory code;
- serial number.
- appliance overview (live status);
- alerts;
- settings;
- priming of detergents.

I.2 Register into One Connected

1. Open your mail application and find the below mail.



2. Open the mail and click on the button to accept the invitation.



3. Check and complete the registration.



IMPORTANT

Keep your password in a safe place for additional reference.

I.3 Download “AppOne” application

1. With the camera of your smartphone scans the QR-Code that you can find in the front cover of the quick guide.
2. From the open web page, download and install “**AppOne**” application.



NOTE!

Make sure to choose correct link corresponding your smartphone operating system.

I.4 Login “AppOne” application with authentication (first use)



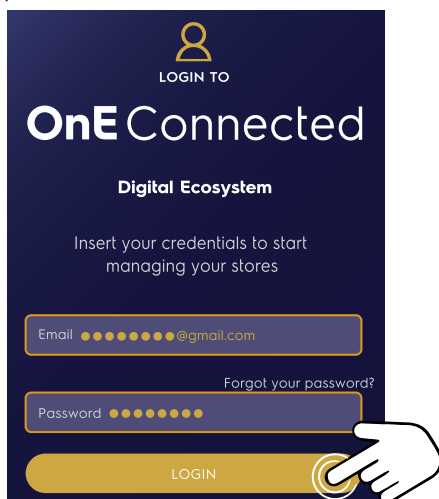
IMPORTANT

Make sure to enable **bluetooth** and **geo-location** connections on your smartphone and switch the appliance on.

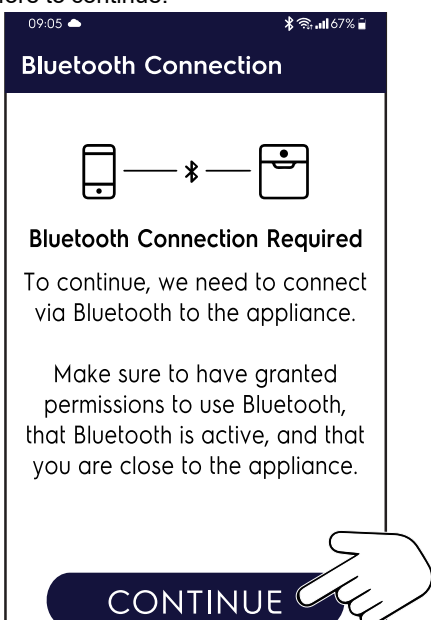
1. Touch on “**AppOne**” icon to open the application.



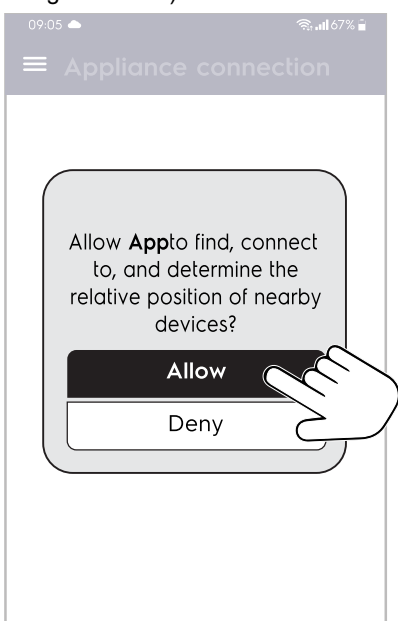
2. Insert your credentials (email address and password) to authenticate your account (refer to 1.2 *Register into One Connected*).



3. At the end of login phase a message appears to remember you to enable bluetooth and geolocation connection before to continue.



4. Accept all permission requests from “AppOne” application (bluetooth and geolocation).

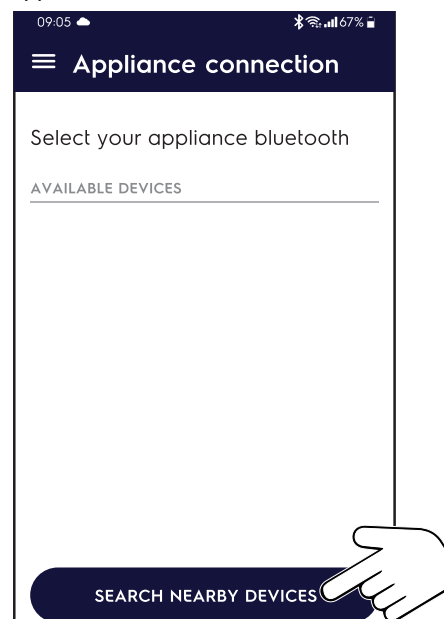


5. Touch “SEARCH NEARBY DEVICES” button to find the appliance. After a few seconds, the display shows the appliance that you have to connect.

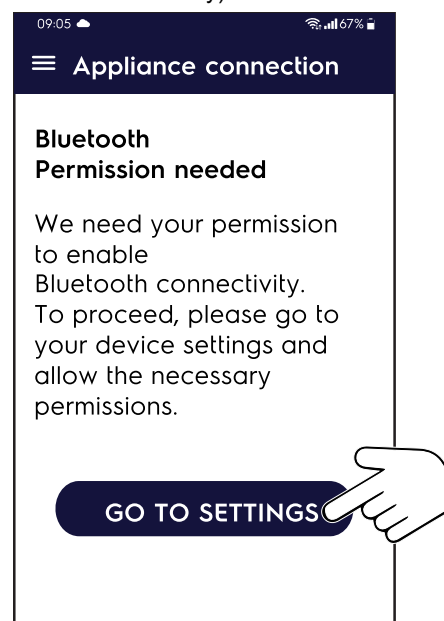


NOTE!

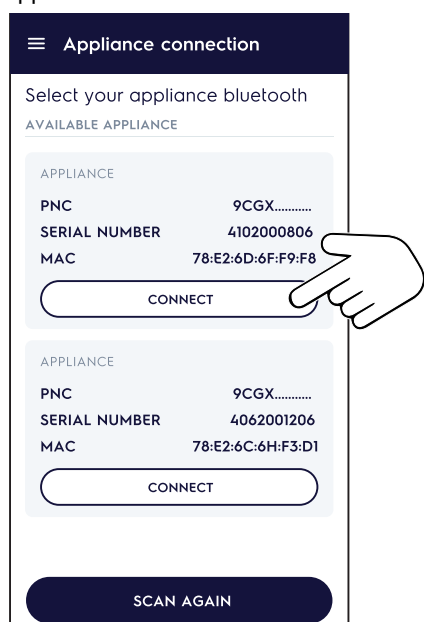
If you are not able to see any appliance, touch “SEARCH NEARBY DEVICES” button again. Otherwise, close and open again “AppOne” application and start again the search of appliance.



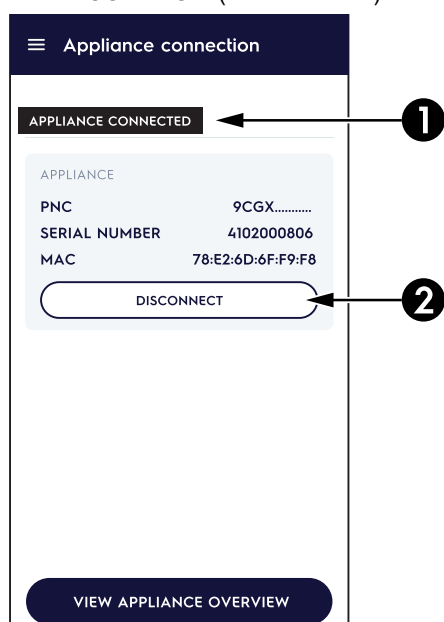
6. If the Bluetooth Connection is not active, the below message informs the user how to enable the Bluetooth connection (user must give the application permission to activate Bluetooth connectivity).



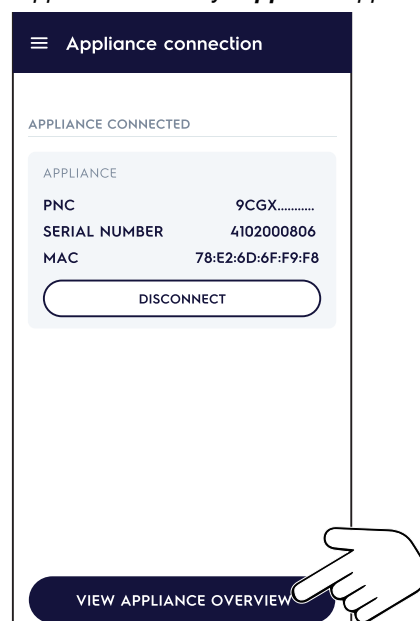
- Find the proper appliance from the possible list and touch the button "CONNECT" to connect the appliance with the smartphone application.



- At the end of pairing operation, to verify the success of the operation, check if the connection is now active (refer detail ①) and the corresponding button changes from "CONNECT" to "DISCONNECT" (refer detail ②).



- Touch the button in the lower part of the display, to view the "LIVE STATUS" of the appliance.
For additional information about "LIVE STATUS" refer to I.6 Check the appliance status by "AppOne" application.



I.5 Login "AppOne" after authentication



IMPORTANT

Make sure to enable **bluetooth** and **geo-location** connections on your smartphone and switch the appliance on.

- Touch on "AppOne" icon to open the application.




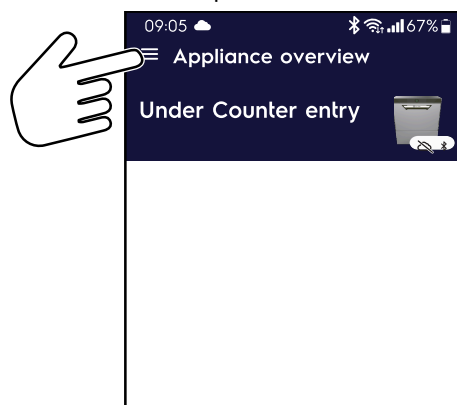
- Refer to point 5. to 9. from I.4 Login "AppOne" application with authentication (first use) paragraph to connect the appliance.

I.6 Check the appliance status by "AppOne" application

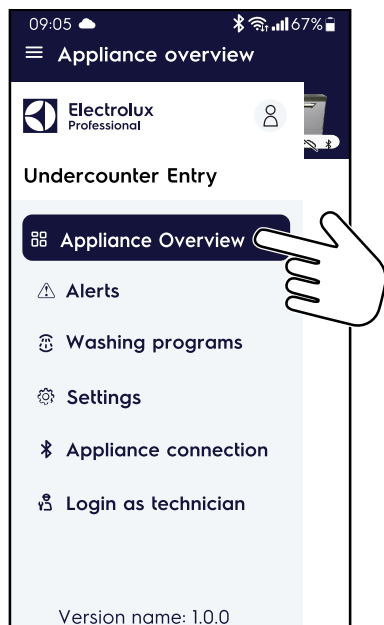
- Touch on "AppOne" icon to open the application.



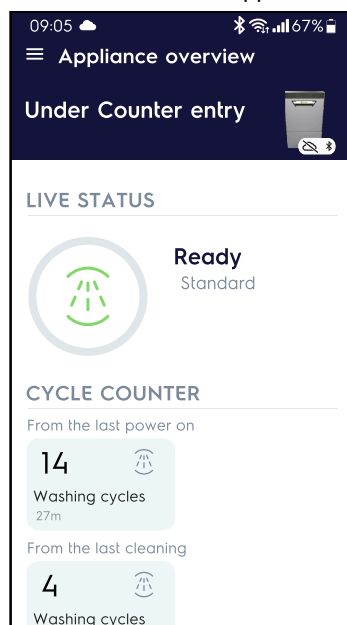
- Touch the  icon to open the main menu.



- From main menu, touch the “Appliance Overview” tab.



- Check the “LIVE STATUS” of the appliance.



LIVE STATUS list

Icon	Appliance status	Short description
	Warm up	The appliance starts: <ul style="list-style-type: none"> the filling and heating phase of the water; remaining time to the end of warm up by the animated round bar.
	Ready Low temperature	The appliance: <ul style="list-style-type: none"> stops the filling phase and continue the heating phase of the water;

LIVE STATUS list (cont'd.)

Icon	Appliance status	Short description
	Ready	The appliance has finished the heating phase and now is ready to work. The application shows: <ul style="list-style-type: none"> wash cycle name; possibly anomalies.
	Washing	The wash cycle is running. The application shows: <ul style="list-style-type: none"> wash cycle name; wash tank temperature; rinse temperature; remaining time to the end of wash cycle by the animated round bar; cycle counters updated; possibly anomalies.
	Wash cycle completed	End of the wash cycle. The application shows: <ul style="list-style-type: none"> wash cycle name; cycle counters updated; possibly anomalies.
	Cleaning	The Drain/self-cleaning cycle is running. The application shows: <ul style="list-style-type: none"> cycle name; remaining time to the end of cleaning cycle by the animated round bar; cycle counters updated; possibly anomalies.
	Alarm (red icon) or Warning (yellow icon)	In the appliance there is an anomaly. The application shows: <ul style="list-style-type: none"> anomaly status: <ul style="list-style-type: none"> active; solved. Anomaly type: <ul style="list-style-type: none"> Alarm. Warning. Anomaly code and name: <ul style="list-style-type: none"> Alarm blocks the appliance. Warning does not block the appliance.

J PRIMING OF DETERGENTS

J.1 Detergent dispensers activation



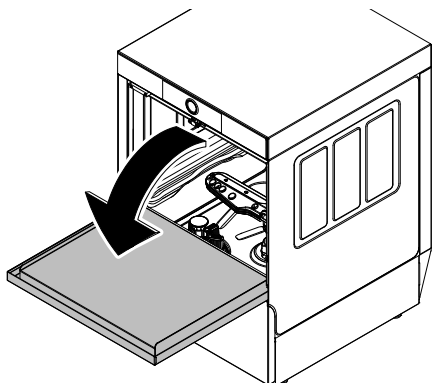
NOTE!

When the detergent containers are replaced, it may be necessary to activate the dispensers manually in order to fill the hoses and eliminate any air.

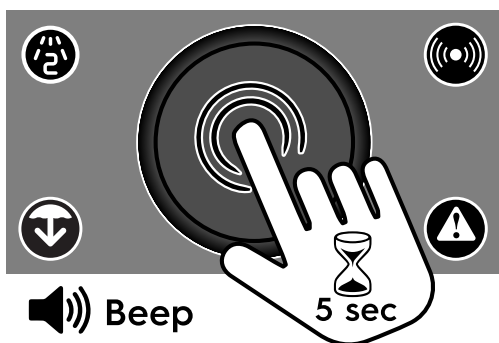
J.1.1 Manual activation by control panel

- Touch the control button for 2 seconds to switch the appliance on.
- If necessary, wait the end of warm-up status (control button in orange).

- With the control button in green (the appliance is ready for use.), open the door.



- Touch and hold the control button for 5 seconds.
- The buzzer sounds to confirm the request to activate both dispensers.



IMPORTANT

The control button is now in purple till the end of detergent dispensers activation.

At the end of detergent dispensers activation, the control button comes back in green.

- To cancel the current request, touch the control button again for 2 seconds.
- If the detergent hoses do not enough fill, repeat steps 3 to 5 to activate again the detergent dispensers.

J.1.2 Activation by "AppOne" application




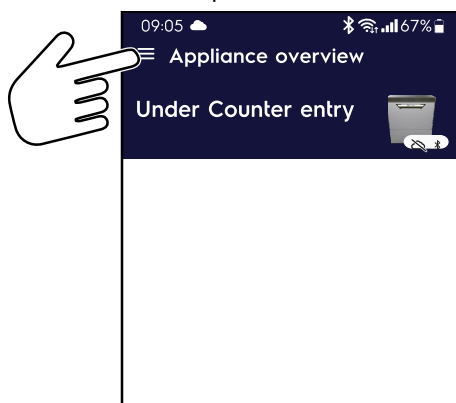
NOTE!

Only when the appliance is in ready to use, it is possible activate priming phase by "AppOne" application.

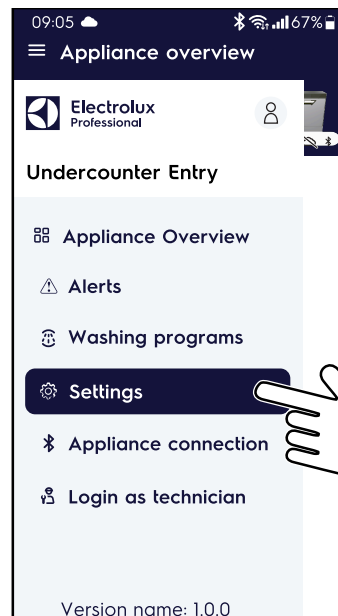
- Touch on "AppOne" icon to open the application.



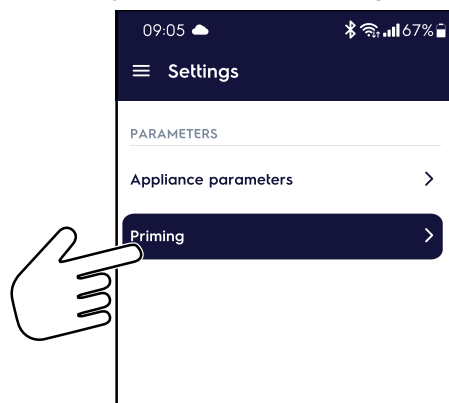
- Touch the  icon to open the main menu.




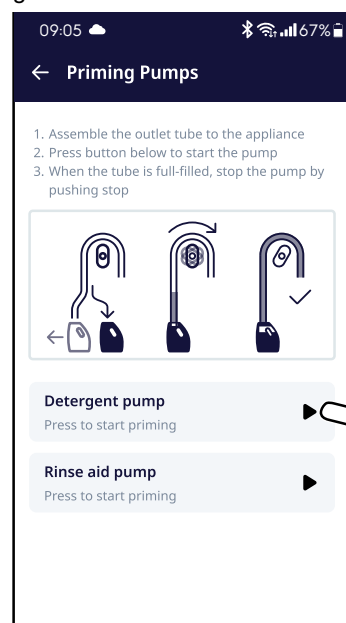
- From main menu, touch the "Settings" tab.




- From "Settings" menu, touch "Priming" tab.



- To activate detergent or rinse aid pump touch the corresponding start icon .



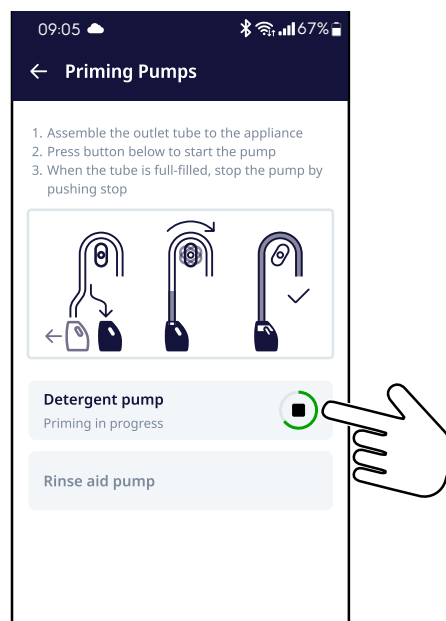
- The circular progress indicator  starts to run and the buzzer sounds to indicate the start of the operation.



NOTE!

A pop-up message appears on the display to confirm the completion of the operation.

7. To interrupt the operation touch the stop icon .




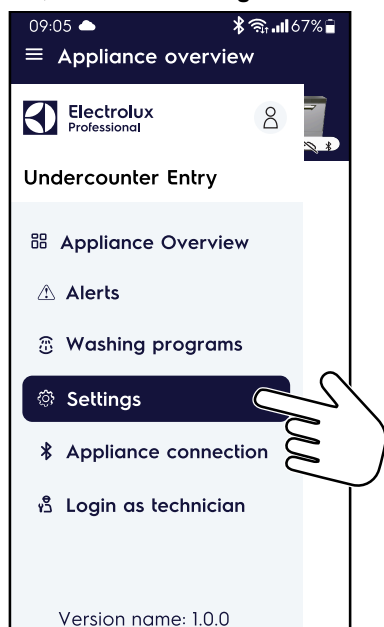
K DISPENSERS SETTING

K.1 Dispenser parameters

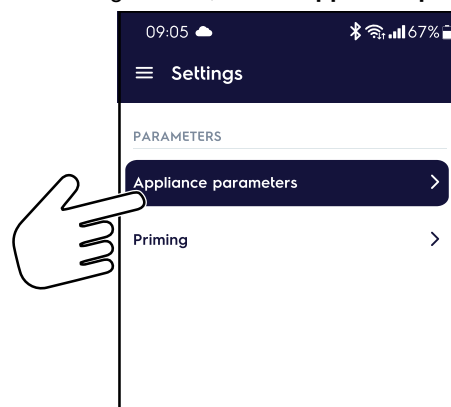


NOTE!
You can change default parameters **ONLY** by
“AppOne” application.

- Switch the appliance on.
- Open the door.
- Do not select any wash cycle.
- Touch on “AppOne” icon to open the application.
- Touch the  icon to open the main menu.
- From main menu, touch the “Settings” tab.

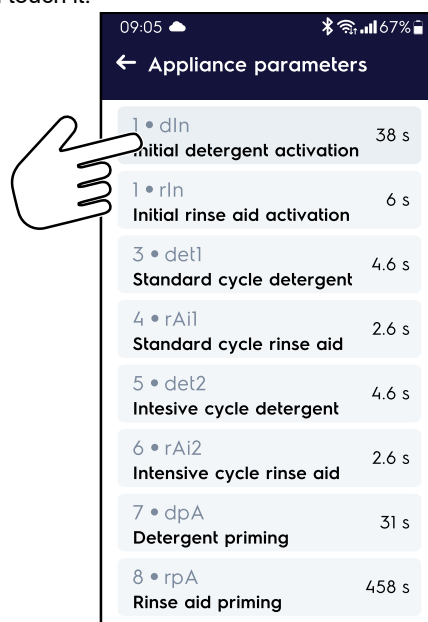


- From “Settings” menu, touch “Appliance parameters” tab.

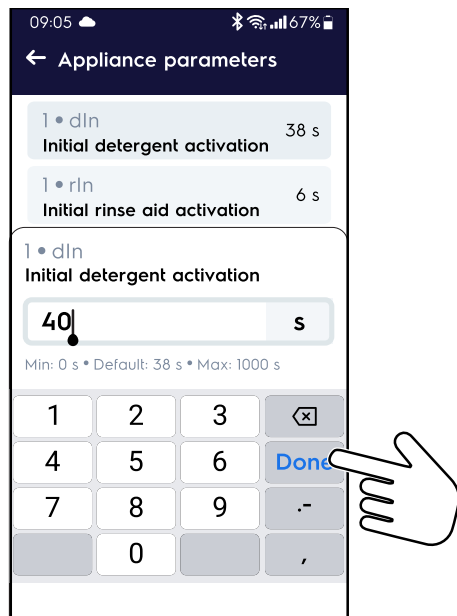


K.2 Change a parameter value

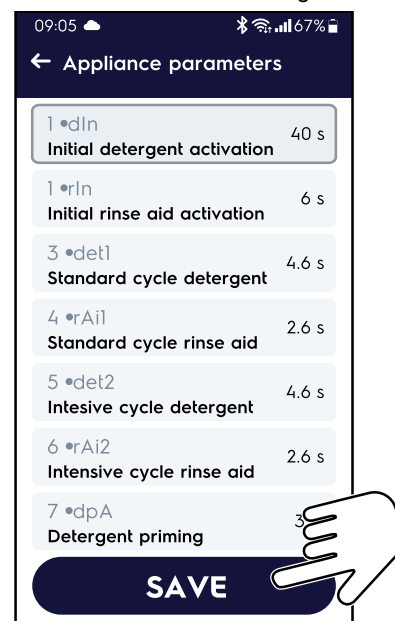
1. From the list of parameters, find the requested parameters and touch it.



2. Modify the factory value and touch “Done” button.



3. The updated parameter is now put in evidence by a dark grey row. Touch “Save” button to confirm the change.



K.3 Detergent and rinse aid parameters list

Parameter name		Parameter description	Factory set
1	dIn Initial detergent activation	Activation time of the detergent dispenser during the filling of the tank.	38 seconds
2	rIn Initial rinse aid activation	Activation time of the rinse aid dispenser during the filling of the boiler. It starts at the end of filling tank phase.	6 seconds
3	det1 “Standard” cycle detergent	Activation time of the detergent dispenser during the wash cycle of the “Standard” programme.	4.6 seconds
4	rAi1 “Standard” cycle rinse aid	Activation time of the rinse aid dispenser during the rinse phase of the “Standard” programme.	2.6 seconds
5	det2 “Intensive” cycle detergent	Activation time of the detergent dispenser during the wash cycle of the “Intensive” programme.	4.6 seconds
6	rAi2 “Intensive” cycle rinse aid	Activation time of the rinse aid dispenser during the rinse phase of the “Intensive” programme.	2.6 seconds
7	dpA Detergent priming	Activation time of the detergent dispenser during the “Priming” phase.	31 seconds
8	rpA Rinse aid priming	Activation time of the rinse aid dispenser during the “Priming” phase.	458 seconds

L TROUBLESHOOTING

L.1 General troubleshooting

Anomaly	Type of anomaly	Possible causes	Actions
The dishwasher does not switch on	Blocking	The dishwasher is not connected to the main power supply.	Check if the appliance main circuit breaker is in ON position.
The dishwasher does not start	Blocking	The door is open.	Close the door. If the error persists call service centre.
You start the washing cycle but the dishwasher does not work.	Blocking	Control interface faulty.	Switch off and on the appliance. If the error persists call service centre.

Anomaly	Type of anomaly	Possible causes	Actions
The dishwasher does not wash well.	Loss of performance.	No scrape action before putting dishes in the racks	Scrape dishes before putting them in the racks.
		The wash arms are clogged by solid food remains. Residual food has not been removed from dishes.	Check if the wash jets are clogged by solid food remains.
		The wash arms are not properly installed.	Check the integrity of the wash arms. Remove and fit again the wash arms.
		The dishes are not correctly placed in the racks.	Check if the dishes are correctly placed in the racks.
		The dosing of detergent is not correct.	Call detergent and rinse aid service centre.
		The detergent tank is empty.	Check that there is detergent in the container and if necessary top it up.
		Detergent pump does not work.	Switch off and on the appliance. If the error persists call service centre.
		The wash tank suction filter is dirty.	Clean wash tank suction filter thoroughly.
Glasses and dishes are not dried properly.	Loss of performance.	The container of rinse aid is empty.	Check that there is rinse-aid in the container and if necessary top it up.
		Rinse aid pump does not work.	Switch off and on the appliance. If the error persists call service centre.
		The rinse water temperature is too low.	Check if the rinse water temperature is between 82°C - 90°C. Call service centre to set the temperature in according to the rinse aid specifications.
		Foamy detergent present in the wash tank.	Check if the dishes were not immersed in foamy detergent (e.g. hand wash detergent) before being put in the dishwasher. Only use "non-foaming" products for professional dishwashers.
Condensation on glasses.	Loss performance.	The container of rinse aid is empty.	Check that there is rinse-aid in the container and if necessary top up.
		Rinse aid pump does not work.	Switch off and on the appliance. If the error persists call service centre.
Stains on the glasses.	Loss of performance.	Foamy detergent present in the wash tank.	Only use "non-foaming" products for professional dishwashers.
		The dosing of rinse aid is not correct.	Call service centre.
		The hardness of the water is too high or too low.	Call service centre to adjust the amount of detergent and rinse aid.
Excessive foam in the tank.	Loss performance.	Residuals of food or detergent, used for manual prewash, remains in the dishes.	Remove residuals of food or detergent from the dishes.
		Wash water temperature is too low.	Check if the water temperature of the wash tank is between 55°C - 65°C. Call service centre to set the temperature in according to the detergent specifications.
		Foamy detergent present in the wash tank.	Empty and refill the tank with water until the foam has been removed.
Smears or spots on the glasses.		Too much rinse-aid.	Call service centre to reduce the amount of rinse-aid.
Low pressure from wash arms.	Loss of performance	The tank filter is clogged. The wash pump filter is clogged. The water drainage hose is clogged. The wash pump does not work properly.	Clean the tank filter. Clean the wash pump filter. Call service centre. Call service centre.

Anomaly	Type of anomaly	Possible causes	Actions
Low pressure from rinse arms.	Loss of performance	The rinse arms are clogged. The water pressure after pressure reducer is less than 200 kPa [2 bar].	Clean the rinse arms. Call service centre.
The wash pump does not work.	Blocking	The wash pump is clogged.	Call service centre.
The drain pump does not work.	Loss of performance	The drain pump is clogged.	Call service centre.
The dishwasher is switched off, but the appliance continues to fill water.	Loss of performance	Inlet valve is damaged.	Close the water supply tap or taps and call service centre.

If the fault persists after carrying out the above checks, contact the Customer Care Service, remembering to specify:

- A. the type of fault;
- B. the appliance PNC (product number code);
- C. the Ser. No. (appliance serial number).



IMPORTANT

The appliance PNC and serial number are essential for identifying the type of appliance and date of manufacture.

M ALARMS

M.1 Anomalies

In case of anomaly, **Alarm/Warning icon** blinks when some kind of problem occurs.

Open the “AppOne” application, open main menu and touch “Alerts” tab in order to visualize the warning or alarm message. A short description explains you the occurring fault.

The corresponding icon remains visible until the problem is resolved.



IMPORTANT

For the alarms/warnings list and general troubleshooting refer to the complete user manual in the web site.
If required, contact the Customer Care Service.



NOTE!

The appliance PNC and serial number are essential for identifying the type of appliance and date of manufacture.
Refer to B.6 *Data plate position* to locate the appliance's data.

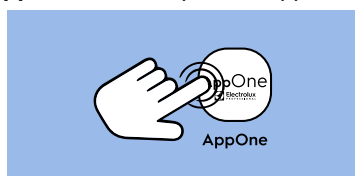
M.2 Anomaly details



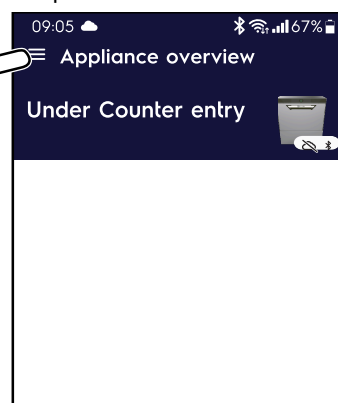
CAUTION

Only After-Sales Service or authorised personnel can do repair operations in the appliance.

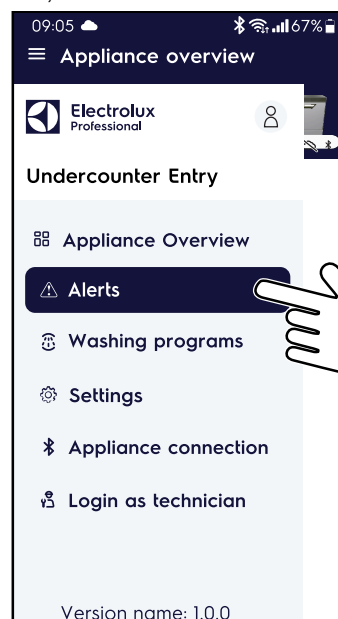
1. Touch on “AppOne” icon to open the application.



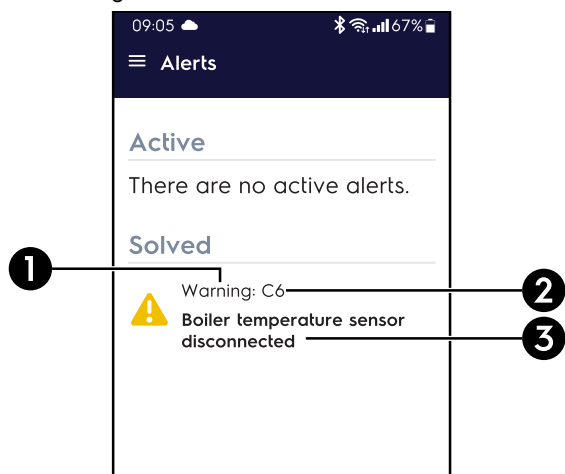
2. Touch the to open the main menu.



3. From main menu, touch the “Alerts” tab.



4. The smartphone display shows the active and solved alarm/warning list.



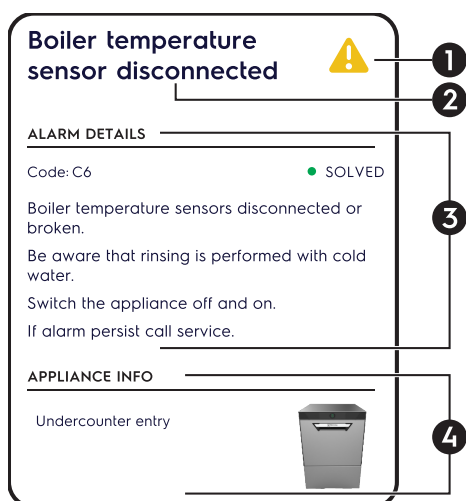
1	Type of anomaly: <ul style="list-style-type: none"> Warning Alarm
2	Anomaly title
3	Anomaly details <ul style="list-style-type: none"> Anomaly code Anomaly status: <ul style="list-style-type: none"> Active Solved Detailed description of the anomaly
4	Appliance information: <ul style="list-style-type: none"> Appliance type Appliance name (if assigned) Appliance Product Number Code and Serial Number

1	Type of anomaly: <ul style="list-style-type: none"> Warning Alarm
2	Anomaly code
3	Anomaly title

M.2.1 Alarm details

Touch on the corresponding alarm or warning to have additional information about current anomaly.

The smartphone display shows the below alarm/warning pop up.



M.3 Alarm guide

Anomaly	Type of anomaly	Possible causes	Actions
A1 TANK FILLING TIMEOUT	Alarm Blocking	The tap is close. The water inlet filter is clogged. Too low pressure in hydraulic circuit. Overflow not inserted (only for appliances without drain pump). The O-ring on the overflow pipe is missing or worn.	Open the tap. Clean the water inlet filter. Check the minimum mains pressure. Insert properly the overflow (only for appliances without drain pump). Replace the O-ring.
B1 INEFFICIENT DRAINAGE	Warning Not blocking	Overflow not removed. The waste outlet pipe and/or the overflow aperture obstructed.	Remove the overflow. Remove any obstruction from the waste outlet pipe and/or the overflow aperture.
B2 TANK WATER LEVEL TOO HIGH	Warning Not blocking	The waste outlet pipe and/or the overflow aperture obstructed. The waste outlet pipe and/or the overflow aperture obstructed.	Remove any obstruction from the waste outlet pipe and/or the overflow aperture.

Anomaly	Type of anomaly	Possible causes	Actions
C2 BOILER TEMPERATURE TOO HIGH	Warning Not blocking	Boiler temperature sensor out of order. Wrong parameters set.	Switch the appliance off and on. Call the service centre if alarm appears again.
C3 TANK TEMPERATURE TOO HIGH	Warning Not blocking	Tank temperature sensor out of order. Wrong parameters set.	Switch the appliance off and on. Call the service centre if alarm appears again.
C4–C5 TANK TEMPERATURE SENSOR OUT OF ORDER	Warning Not blocking	Tank temperature sensor broken or disconnected.	Switch the appliance off and on. Call the service centre if alarm appears again.
C6–C7 BOILER TEMPERATURE SENSOR OUT OF ORDER	Warning Not blocking	Boiler temperature sensor broken or disconnected.	Switch the appliance off and on. Call the service centre if alarm appears again.
C8 RINSING PHASE FAILED FOR 2 CONSECUTIVE TIMES	Alarm Blocking	Rinse arms clogged. Rinse pump out of order. Water in the slim tube from boiler air-trap to main board.	Remove wash and rinse arms and descale them with vinegar or scale remover. Call the service centre if alarm appears again.
C12 TANK LEVEL SENSOR OUT OF ORDER	Alarm Blocking	Tank level sensor broken or disconnected.	The tank level sensor has received a out of range value. Switch the appliance off and on. Call the service centre if alarm appears again.
D1 TANK HEATING TIMEOUT	Warning Not blocking	Tank heating element does not heat the water within the expected time.	Tank heating element broken or disconnected. Washing cycle is executed with cold water. Switch the appliance off and on. Call the service centre if alarm appears again.
D2 BOILER HEATING TIMEOUT	Warning Not blocking	Boiler heating element does not heat the water within the expected time.	Boiler heating element broken or disconnected. Pay attention, rinse cycle is executed with cold water. Switch the appliance off and on. Call the service centre if alarm appears again.
E1¹ COMMUNICATION ERROR	Warning Not blocking	No communication between main board and user interface.	Switch the appliance off and on. Call the service centre if alarm appears again.
E2¹ TANK TEMPERATURE TOO LOW	Warning Not blocking	Wrong parameters set. Tank temperature sensor out of order. Tank heating element out of order. Tank pressure switch faulty.	Switch the appliance off and on. Call the service centre if alarm appears again.
E3¹ BOILER TEMPERATURE TOO LOW	Warning Not blocking	Wrong parameters set. Boiler temperature sensor out of order. Boiler heating elements out of order.	Switch the appliance off and on. Call the service centre if alarm appears again.

1. The appliance continues to operate, but appropriate checks by a technician are recommended.

